



MIRACLES OF HIGH FIDELITY

400.075

RENAULT V.I.

Models
B9

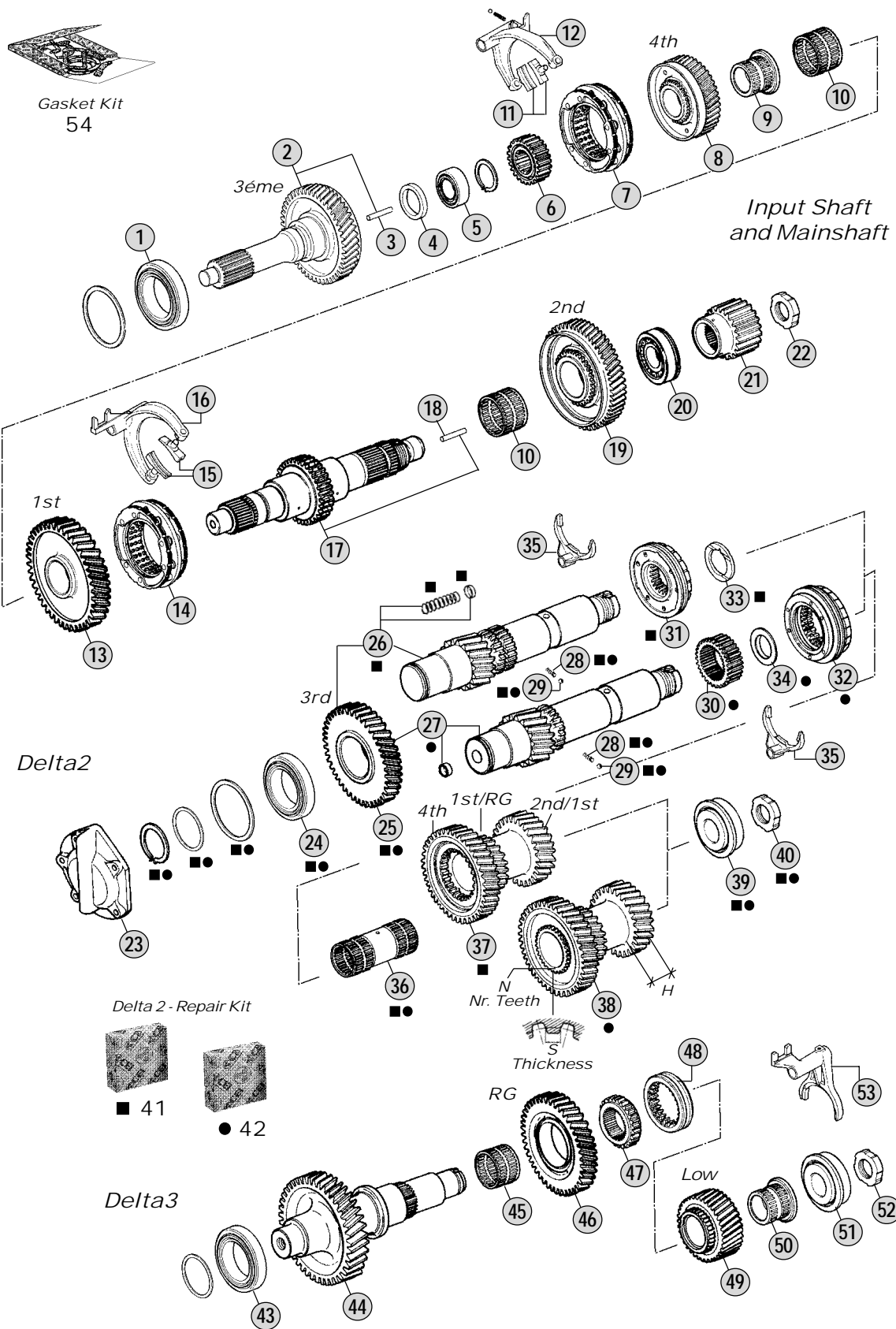
Date
06/2008
File
RV10001.Pdf



HIGH FIDELITY SPARE PARTS

Adattabile a : **RENAULT V.I.**
 Suitable To :

B9 (Boite 9 Vitesses)



All original equipment manufacturers' numbers, symbols, pictures, models and description used in this catalogue are for reference only, and it is not implied that any part listed is the product of these manufactures. Tutti i nostri particolari non sono originali ma con essi intercambiabili. I riferimenti originali, le figure, i modelli sono esposti a semplice titolo indicativo. La nostra produzione riporta il nostro marchio.

Models

Up to 1984	143.080 - 50 00 673 219	H : 37,00 mm	N : 26 dents	S : 4,94 mm
From 1984 To 1989	143.081 - 50 00 673 266	H : 37,00 mm	N : 26 dents	S : 3,34 mm
From 1989	143.083 - 50 10 242 997	H : 41,00 mm	N : 32 dents	S : 4,23 mm

Fig.	CEI no.	Rif. RVI	Description	Description	Q.ty	Note
1	130.520	50 10 242 774	Roulement D.80x125x29	Bearing D.80x125x29	1	
2	190.369	50 00 653 716	Arbre d'entrée 49 D.	Input Shaft 49 T	1	Up to 84' (1)
2	190.370	50 00 653 856	Arbre d'entrée 49 D.	Input Shaft 49 T	1	From 84' Up to 89' (1)
2	190.247	50 00 673 694	Arbre d'entrée 49 D	Input shaft 49 T	1	From 89' (1)
2	190.371	50 00 673 991	Arbre d'entrée 49 D.	Input Shaft 49 T	1	(2)
3	188.143	50 00 655 482	Tuyau	Tube	1	
4	139.459	50 00 790 853	Bague etancheite D.57x74x12,5	Oil seal ring D.57x74x12,5	1	
5	130.521	50 10 242 777	Roulement D.35x72x28	Bearing D.35x72x28	1	
6	145.732	50 00 673 027	Moyeu	Fixed Hub	1	
7	196.220	50 00 673 430	Lot de synchro 3ème-4ème	Synchro kit 3rd-4th Speed	1	
8	196.346	50 00 653 797	Pignon 4ème	Gear 4th Speed	1	Up to 84'
8	196.347	50 00 653 858	Pignon 4ème 43 D.	Gear 4th Speed 43 T	1	From 84' Up to 89'
8	196.234	50 00 673 692	Pignon 4ème 43 D	Gear 4th Speed 43 T	1	From 89'
9	137.252	50 03 090 110	Cage à aiguilles 50x68x87x63	Needle Cage 50x68x87x63	1	
10	137.253	50 03 090 112	Cage à aiguilles 65x73x48	Needle Cage 65x73x48	2	
11	141.151	50 00 655 517	Patin	Slide	2	
12	141.189	50 00 690 012	Fourchette	Fork	1	
13	145.804	50 00 653 714	Pignon 1ère	Gear 1st Speed	1	Up to 84'
13	145.805	50 00 653 859	Pignon 1ère 61 D.	Gear 1st Speed 61 T	1	From 84' Up to 89'
13	145.442	50 00 673 690	Pignon 1ère 61 D	Gear 1st Speed 61 T	1	From 89'
14	196.219	50 00 673 429	Lot de synchro 1ère-2ème	Synchro kit 1st-2nd Speed	1	
15	141.150	50 00 655 516	Patin 1ère-2ème	Slide	2	
16	141.190	50 00 690 011	Fourchette	Fork	1	
17	103.189	50 00 673 029	Arbre primaire	Main Shaft	1	
18	188.144	50 00 655 480	Tuyau	Tube	1	
19	145.806	50 00 653 713	Pignon 2ème 56 D.	Gear 2nd Speed 56 T	1	Up to 84'
19	145.807	50 00 653 860	Pignon 2ème 56 D.	Gear 2nd Speed 56 T	1	From 84' Up to 89'
19	145.443	50 00 673 691	Pignon 2ème 56 D	Gear 2nd Speed 56 T	1	From 89'
20	130.371	50 10 242 778	Roulement 55x110x38	Bearing 55x110x38	1	
21	157.657	50 00 673 077	Pignon 21 D.	Sun Gear 21 T	1	
22	187.556	50 10 372 353	Ecrou M 50x1,5	Nut M 50x1,5	1	
23	128.202	50 00 655 504	Couvercle	Cover	1	Up to 89'
23	128.203	50 10 372 349	Couvercle	Cover	1	From 89'
24	130.526	50 10 242 776	Roulement D.55x100x35	Bearing D.55x100x35	1	
25	146.349	50 00 673 698	Pignon 3ème 35 D	Gear 3rd Speed 35 T	1	
26	105.180	CEI 105180	Arbre secondaire Delta 2	Countershaft Delta 2	1	Up to 84'
26	105.181	50 00 653 878	Arbre secondaire Delta 2 18/35 D.	Countershaft Delta 2 18/35 T	1	From 84'
27	105.182	50 00 690 034	Arbre secondaire Delta 2 28/35 D.	Countershaft Delta 2 18/35 T	1	From 89'
28	156.187	50 00 655 590	Ressort	Spring	2	Up to 89'
28	156.188	50 00 673 278	Ressort	Spring	4	From 89'
29	171.060	09 79 100 600	Bille	Ball	2	Up to 89'
29	171.060	09 79 100 600	Bille	Ball	4	From 89'
30	157.163	50 00 673 275	Moyeu 32 D	Guide sleeve 32 T	1	From 89'
31	196.203	50 00 653 879	Synchroniseur compl.M.AR.	Synchronizer Assy R.G.	1	Up to 84'
31	196.278	50 00 673 267	Synchroniseur compl.M.AR.	Synchronizer Assy R.G.	1	From 84'

Notes

- (1) Clutch with Single Disk / Embrayage avec Single Disque
 (2) Clutch with Double Disk / Embrayage avec Double Disque

Date

06 / 2008

Table

0010

All original equipment manufacturers' numbers, symbols, pictures, models and description used in this catalogue are for reference only, and it is not implied that any part listed is the product of these manufacturers.
Tutti i nostri particolari non sono originali ma con essi intercambiabili. I riferimenti originali, le figure, i modelli sono esposti a semplice titolo indicativo. La nostra produzione riporta il nostro marchio.

Fig.	CEI no.	Rif. RVI	Description	Description	Q.ty	Note
32	196.226	50 00 690 174	Synchroniseur compl.M.AR.	<i>Synchronizer Assy R.G.</i>	1	From 89'
33	<i>169.999</i>	50 00 655 564	Rondelle	<i>Washer</i>	1	Up to 84'
33	<i>269.001</i>	50 00 673 226	Rondelle	<i>Washer</i>	1	From 84'
34	<i>269.002</i>	50 00 673 279	Rondelle	<i>Washer</i>	1	From 89'
35	141.139	50 00 690 181	Fourche	<i>Fork</i>	1	
36	<i>137.254</i>	50 00 673 420	Cage à aiguilles 54x60x171	<i>Needle Cage 54x60x171</i>	1	
37	143.080	50 00 673 219	Pignon triple 29-22-41 D	<i>Gear 29/22/41 T</i>	1	Up to 84'
37	<i>143.081</i>	50 00 673 266	Pignon triple 29-22-41 D	<i>Gear 29/22/41 T</i>	1	From 84'
38	143.083	50 10 242 997	Pignon triple 29-22-41 D	<i>Gear 29/22/41 T</i>	1	From 89'
39	<i>130.525</i>	50 10 242 775	Roulement D.40x95x32	<i>Bearing D.40x95x32</i>	1	
40	187.555	50 00 673 341	Ecrou M 40x1,5	<i>Nut M 40x1,5</i>	1	
41	<i>298.005</i>	56 00 106 851	Lot de reparation Delta 2	<i>Repair Kit Delta 2</i>	1	Up to 84'
41	<i>298.006</i>	56 00 106 920	Lot de reparation Delta 2	<i>Repair Kit Delta 2</i>	1	From 84'
42	<i>298.007</i>	56 00 538 683	Lot de reparation Delta 2	<i>Repair Kit Delta 2</i>	1	From 89'
43	<i>130.522</i>	00 23 336 288	Roulement D.45x80x32	<i>Bearing D.45x80x32</i>	1	
44	<i>107.199</i>	50 00 655 313	Arbre M.AR./1ère Delta 3	<i>Reverse Shaft/1st Delta 3</i>	1	
45	<i>130.372</i>	50 03 090 113	Roulement 60x68x46	<i>Bearing 60x68x46</i>	1	
46	<i>147.217</i>	50 00 653 710	Pignon M.AR.	<i>Reverse Gear</i>	1	Up to 84'
46	<i>147.218</i>	50 00 653 874	Pignon M.AR. 35 D.	<i>Reverse Gear 35 T</i>	1	From 84' Up to 89'
46	<i>147.218</i>	50 00 653 874	Pignon M.AR. 35 D.	<i>Reverse Gear 35 T</i>	1	From 89'
47	<i>157.229</i>	50 00 655 323	Moyeu	<i>Fixed Hub</i>	1	
48	154.359	50 00 653 875	Coulisseau	<i>Sleeve</i>	1	
49	<i>146.575</i>	50 00 653 709	Pignon 1ère lente	<i>Gear 1st Speed Slow</i>	1	Up to 84'
49	146.576	50 00 653 876	Pignon 1ère lente 32 D.	<i>Gear 1st Slow Speed 32 T</i>	1	From 84' Up to 89'
49	146.576	50 00 653 876	Pignon 1ère lente 32 D.	<i>Gear 1st Slow Speed 32 T</i>	1	From 89'
50	<i>137.255</i>	50 03 090 114	Cage à aiguilles 50x68x82x55,2	<i>Needle Cage 50x68x82x55,2</i>	1	
51	<i>130.525</i>	50 10 242 775	Roulement D.40x95x32	<i>Bearing D.40x95x32</i>	1	
52	187.555	50 00 673 341	Ecrou M 40x1,5	<i>Nut M 40x1,5</i>	1	
53	<i>141.191</i>	50 10 242 718	Fourchette	<i>Fork</i>	1	
54	198.753	50 00 793 762	Lot de joints	<i>Gasket kit</i>	1	

Notes

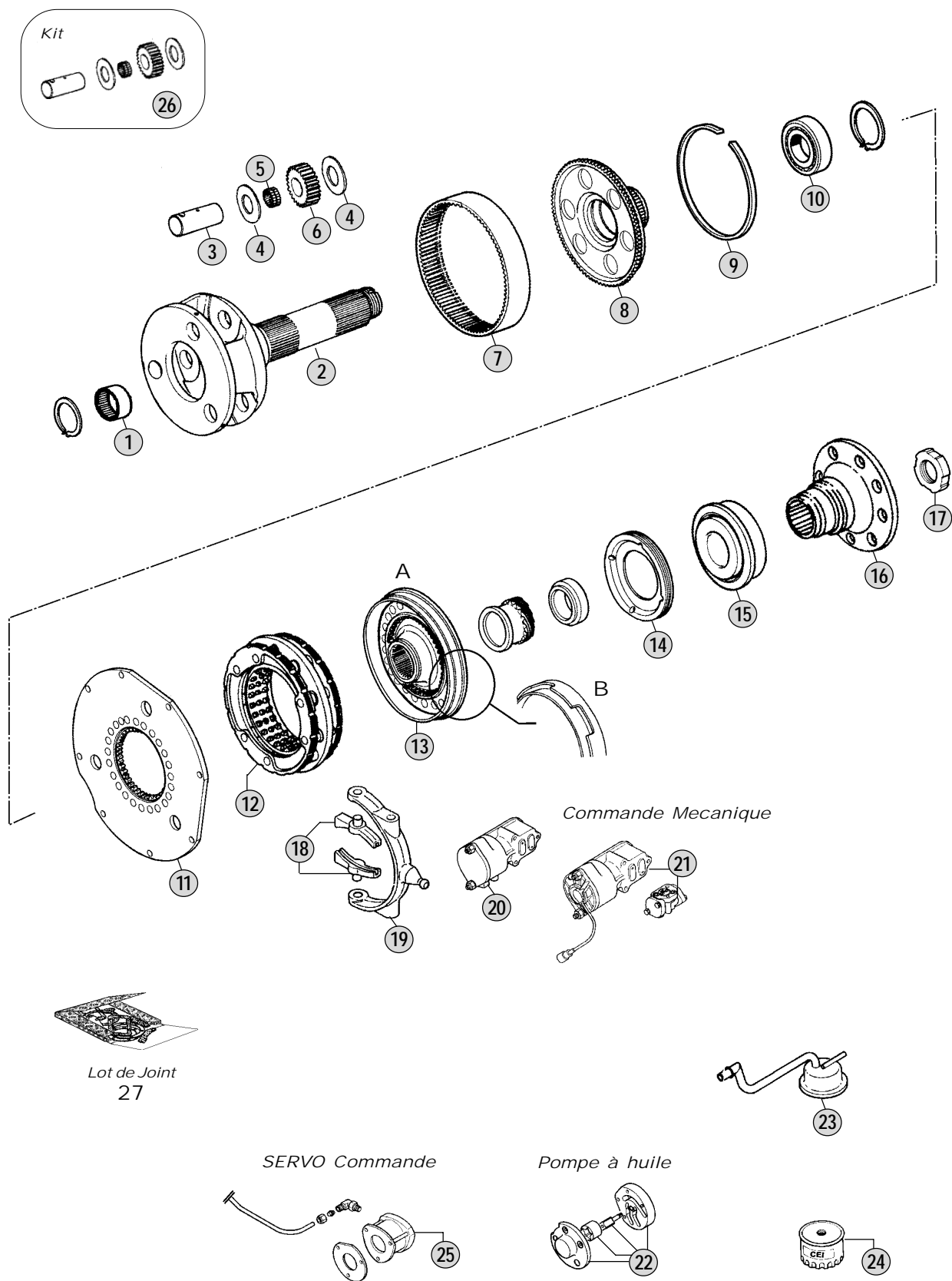
- (1) Clutch with Single Disk / Embrayage avec Single Disque
(2) Clutch with Double Disk / Embrayage avec Double Disque

Date

06 / 2008

Table

0010

Adattabile a : **RENAULT V.I.****B9 (Boite 9 Vitesses)****Models**

Up to 1984	143.080 - 50 00 673 219	H : 37,00 mm	N : 26 dents	S : 4,94 mm
From 1984 To 1989	143.081 - 50 00 673 266	H : 37,00 mm	N : 26 dents	S : 3,34 mm
From 1989	143.083 - 50 10 242 997	H : 41,00 mm	N : 32 dents	S : 4,23 mm

Fig.	CEI no.	Rif. RVI	Description	Description	Q.ty	Note
1	130.373	00 23 351 022	Roulement 34x47x17	Bearing 34x47x17	1	
2	190.372	50 00 653 988	Porte-satellites	Planetary Carrier	1	Up to 87'
2	190.373	50 00 673 139	Porte-satellites	Planetary Carrier	1	From 87' Up to 97'
2	190.374	50 10 242 741	Porte-satellites	Planetary Carrier	1	From 97'
2	190.375	50 00 673 054	Porte-satellites	Planetary Carrier	1	(1)
3	107.200	50 00 655 684	Axe de satellite	Planetary Pin	3	Up to 87'
3	107.142	50 00 653 932	Axe de satellite	Planetary Pin	3	From 87'
4	169.707	50 00 655 576	Rondelle D.32x59,50x1,6	Thrust washer D.32x59,50x1,6	6	
5	137.121	50 00 786 301	Lot de roulement (36 pcs)	Set of needle (36 Pcs)	3	
6	157.164	50 00 673 078	Satellite 18 D	Diff.pinion 18 T	3	
7	123.263	50 00 655 329	Couronne 57 D.	Crown Gear 57 T	1	
8	150.162	50 00 655 330	Support couronne	Flange Gear	1	
9	111.263	50 00 673 373	Fil-frein	Lock Ring	1	
10	130.523	50 10 372 462	Roulement	Bearing	1	Up to 97'
10	130.374	50 10 372 463	Roulement	Bearing	1	From 97'
10	130.374	50 10 372 463	Roulement	Bearing	1	(1)
11	298.008	50 00 655 301	Cone de synchro	Synchronizer Cone	1	Up to 87'
11	198.662	50 00 690 124	Cone de synchro	Synchronizer cone	1	From 87'
12	196.204	50 00 690 026	Lot de synchro	Synchronizer Assy	1	
13A	109.143	50 00 653 868	Cone de synchro	Synchronizer cone	1	Up to 87'
13A	109.143	50 00 653 868	Cone de synchro	Synchronizer cone	1	From 87' Up to 97'
13A	109.363	50 00 669 304	Cone de synchro	Synchronizer Cone	1	(1)
13B	109.387	50 00 673 556	Cone de synchro	Synchronizer Cone	1	From 87' Up to 97'
13B	109.388	50 00 673 549	Cone de synchro	Synchronizer Cone	1	From 97'
13B	109.388	50 00 673 549	Cone de synchro	Synchronizer Cone	1	(1)
14	187.715	50 00 655 547	Ecrou M162x200	Grooved Nut M162x200	1	
15	130.524	50 10 372 460	Roulement	Bearing	1	Up to 97'
15	130.375	50 10 372 461	Roulement	Bearing	1	From 97'
15	130.375	50 10 372 461	Roulement	Bearing	1	(1)
16	155.222	50 10 242 535	Bride de sortie	Output Flange	1	Up to 97'
16	155.223	50 10 242 536	Bride de sortie	Output Flange	1	Up to 97'
16	155.224	50 10 242 540	Bride de sortie	Output Flange	1	From 97'
16	155.224	50 10 242 540	Bride de sortie	Output Flange	1	
16	155.225	50 10 242 541	Bride de sortie	Output Flange	1	From 97'
16	155.225	50 10 242 541	Bride de sortie	Output Flange	1	(1)
17	187.556	50 10 372 353	Ecrou M 50x1,5	Nut M 50x1,5	1	Up to 97'
17	187.716	50 10 372 201	Ecrou	Grooved Nut	1	From 97'
17	187.716	50 10 372 201	Ecrou	Grooved Nut	1	(1)
18	141.152	50 00 690 191	Patin	Slide	2	
19	141.192	50 00 655 384	Fourchette	Fork	1	
20	280.620	50 00 850 164	Cylindre	Cylinder	1	1st Type
20	280.621	50 10 242 648	Cylindre	Cylinder	1	Latest Type
21	280.622	50 00 850 271	Cylindre	Cylinder	1	
22	280.623	56 00 106 884	Pompe à huile	Oil Pump	1	
23	189.626	50 00 655 418	Tuyau à huile	Oil Tube	1	

Notes

- (1) Version spéciale montée du 1992 au 1999 pour les modèles :
 Special Version fitted from 1992 to 1999 :
 AE 380/385TI/420TI/500/520 - AE MAGNUM 390/420TI/430/470/560
 PREMIUM 4X2/6X2 - CBH/CLM 320/385 - Serie "R"

Date

06 / 2008

Table

0015

Fig.	CEI no.	Rif. RVI	Description	Description	Q.ty	Note
24	189.627	50 01 846 323	Filtre à huile	Oil Filter	1	1st Type
24	189.628	50 10 372 044	Filtre à huile	Oil Filter	1	Latest Type
25	280.624	50 01 823 541	Cylindre servo-commande	Servo-control Cylinder	1	1st Type
25	280.500	50 00 690 188	Cylindre servo-commande	Servo-control Cylinder	1	Latest Type
26	198.742	CEI 198742	Lot de reparation	Repair kit	3	
27	198.753	50 00 793 762	Lot de joints	Gasket kit	1	

All original equipment manufacturers' numbers, symbols, pictures, models and description used in this catalogue are for reference only, and it is not implied that any part listed is the product of these manufactures. Tutti i nostri particolari non sono originali ma con essi intercambiabili. I riferimenti originali, le figure, i modelli sono esposti a semplice titolo indicativo. La nostra produzione riporta il nostro marchio.

Notes

Date

(1) Version spéciale montée du 1992 au 1999 pour les modèles :
 Special Version fitted from 1992 to 1999 :
 AE 380/385TI/420TI/500/520 - AE MAGNUM 390/420TI/430/470/560
 PREMIUM 4X2/6X2 - CBH/CLM 320/385 - Serie "R"

06 / **2008**
 Table