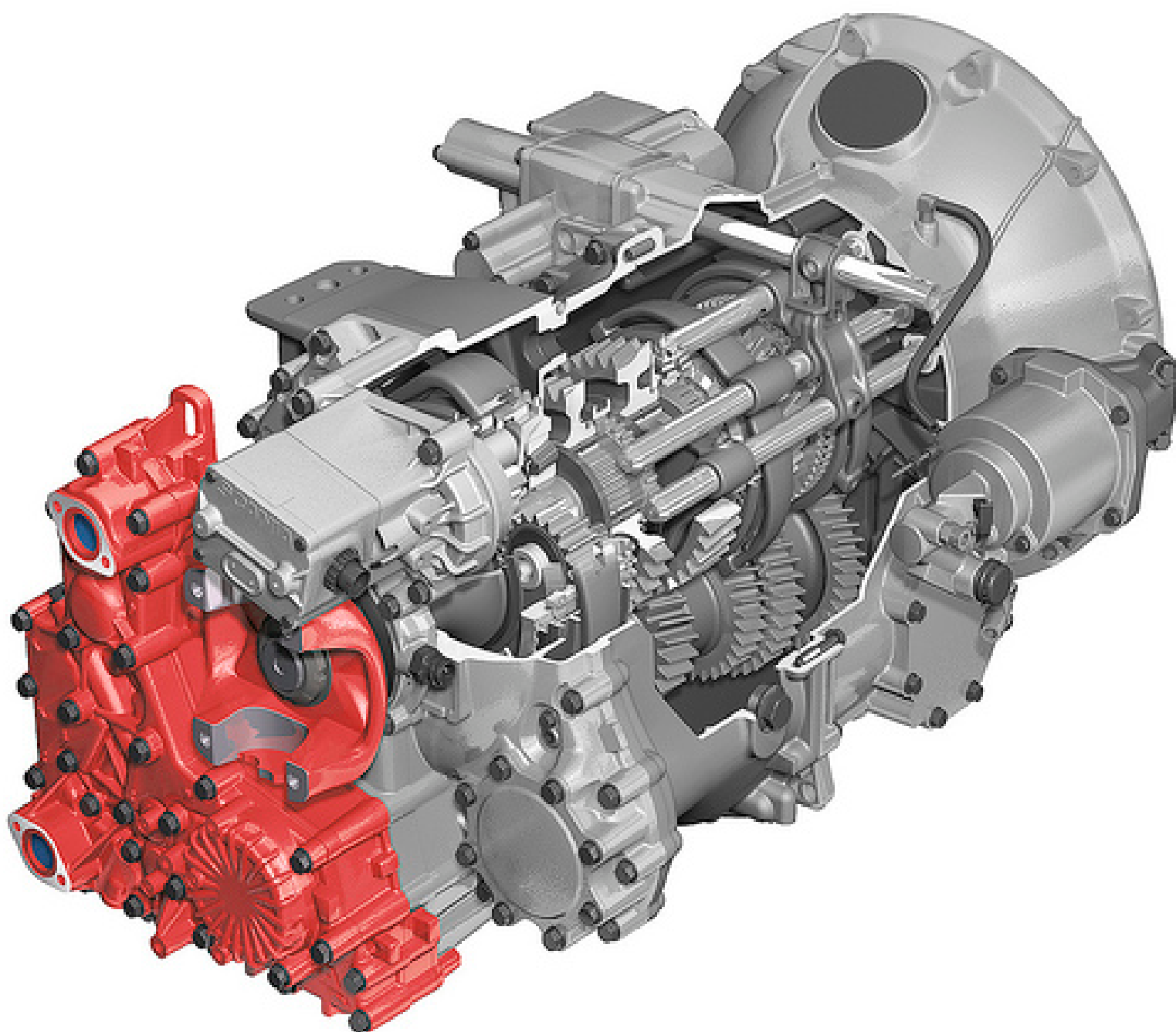


# SCANIA

## Gearbox

## Axle

## Hubs



Suitable To : **SCANIA**

---

## **Clutch** **K Series**

**Clutch  
K Series**

## **Gearboxes**

**G Series**  
**GS Series**  
**GR Series**  
**GRS Series**

**Gearboxes  
G/GS/GR/GRS Series**

## **Intermediate Axles**

**RB Series**  
**RBP Series**

**Intermediate Axles  
RB/RBP Series**

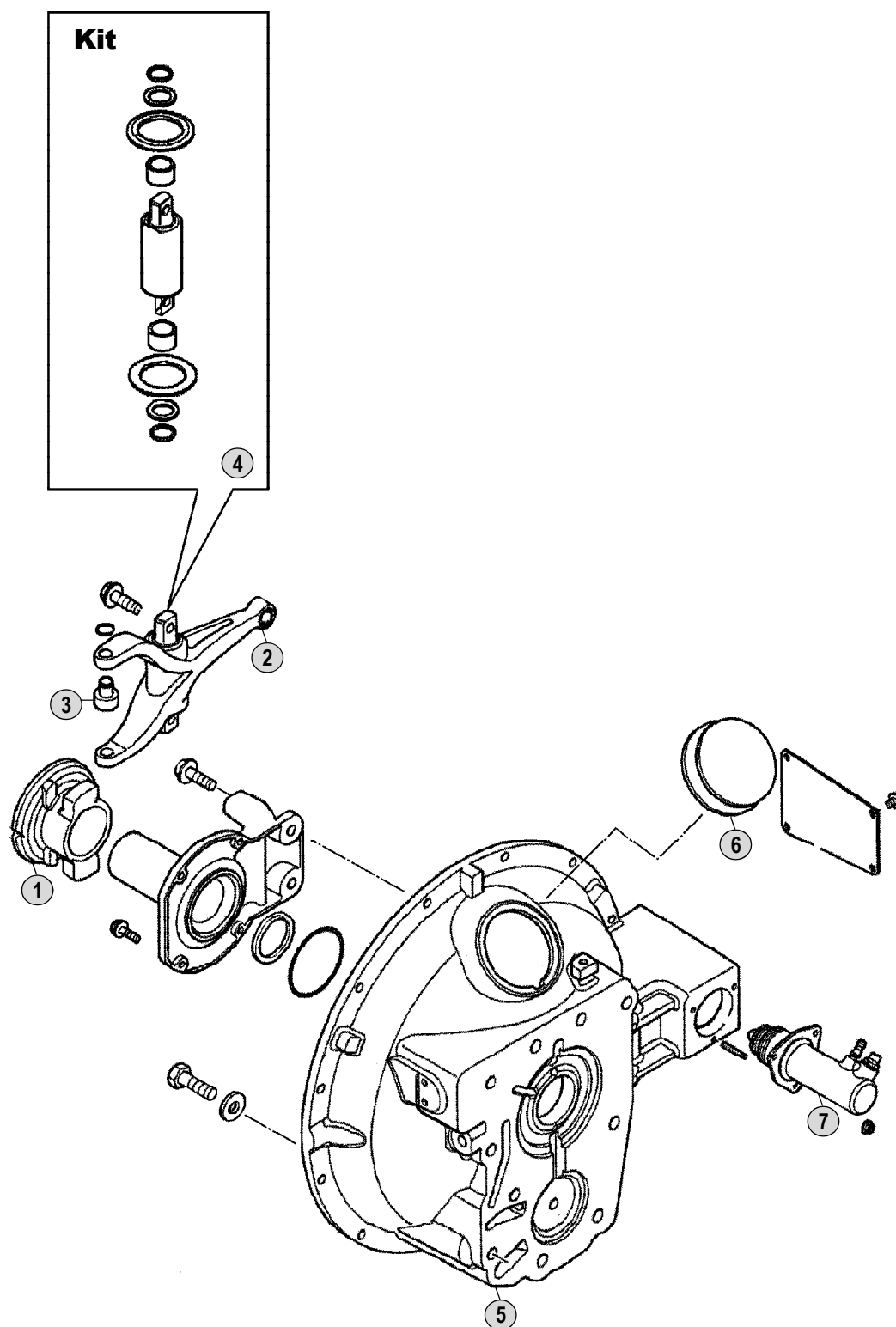
## **Rear Axles & Hubs**

**R Series**  
**RP Series**  
**RV Series**  
**AD Series**

**Rear Axles & Hubs  
R/RP/RV/AD Series**

Adattabile a : **SCANIA**  
 Suitable To :

Modelli Frizione / Clutch models  
**K432**



Models

**Serie 4 - Serie P - Serie R**

da / from **20 a / to 27** - da / from **30 a / to 39**

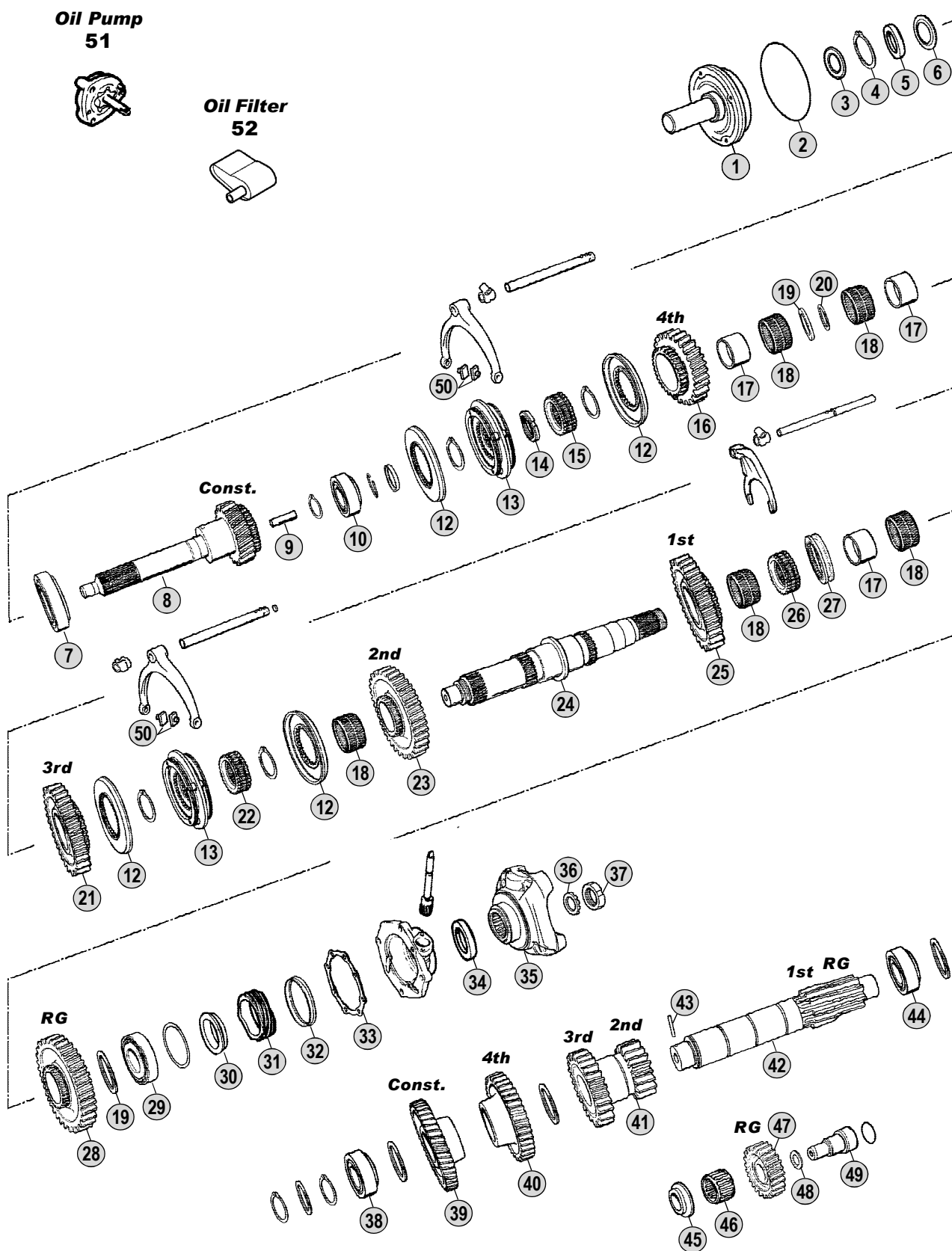
**54 - 55**





Adattabile a : **SCANIA**  
 Suitable To :

Modelli Cambio/ Gearbox Models  
**G760 - G761 - G764**



Models

### Serie 1

LB81(H) - LB/S/T86(H) - LB/S/T110(H) - LB/S/T111(H) - B/L100 - LS101

Bus BR115 - BR116

Fig.	Rif. SCANIA	Description	Q.ty	Note				
					G760	G761	G764	
1	224425	Front Cover	1		●		●	
1	224426	Front Cover	1			●		
2	194414	O Ring 203x3 mm	1		●	●	●	
3	388528	Oil Seal Ring D.45x65x9	1		●	●	●	
4	804792	Ring	1		●	●	●	
5	224455	Spacer	1		●	●	●	
6	194385	Oil Deflector	1		●	●	●	
7	194538	Bearing	1		●	●	●	
8	234913	Input Shaft 23 T	1		●			
8	234923	Input Shaft 23 T	1			●		
8	274684	Input Shaft 23 T	1				●	
9	315060	Oil tube	1		●	●	●	
10	194540	Bearing	1		●	●	●	
12	325113	Synchronizer Cone	4		●	●	●	
13	244990	Synchronizer Assy.	2		●	●	●	
14	194484	Nut M50x1,5	1		●	●	●	
15	224086	Synchronizer Hub	1		●	●	●	
16	234914	Gear 4th Speed 26 T	1		●	●		
16	325251	Gear 4th Speed 28 T	1				●	
17	194376	Bush	3		●	●	●	
18	194413	Needle Cage D.70x78x46	5		●	●	●	
19	194377	Spacer	2		●	●	●	
20	264225	Ring	1				●	
21	234915	Gear 3rd Speed 34 T	1		●	●	●	
22	224087	Guide Sleeve	1		●	●	●	
23	234916	Gear 2nd Speed 42 T	1		●	●	●	
24	194555	Main Shaft	1		●	●	●	
25	194560	Gear 1st Speed 43 T	1	(A)	●			
25	264883	Gear 1st Speed 39 T	1	(B)	●			
25	194560	Gear 1st Speed 43 T	1			●		
25	264883	Gear 1st Speed 39 T	1				●	
26	224125	Hub	1		●	●	●	
27	194578	Sliding Sleeve	1		●	●	●	
28	194561	Reverse Gear 39 T	1	(A)	●			
28	254527	Reverse Gear 39 T	1	(B)	●			
28	194561	Reverse Gear 39 T	1			●		
28	254527	Reverse Gear 39 T	1				●	
29	124270	Bearing	1		●	●	●	
30	151099	Spacer	1		●	●	●	
31	174806	Speedometer Gear	1		●	●	●	
32	1307760	Dust Cover	1		●	●	●	
33	387314	Gasket	1		●	●	●	
34	1335243	Oil Seal Ring D.80x100x10 (Green)	1	Old Style (Green)	●	●	●	
34	338643	Oil Seal Ring (Brown)	1	New Style (Brown)	●	●	●	
35	169133	Output Flange	1	T-TA 60/T62	●	●	●	

**Notes**

(A) Up to gearbox **6001080** - Use items marked (A) together  
 (B) From gearbox **6001081** - Use items marked (B) together

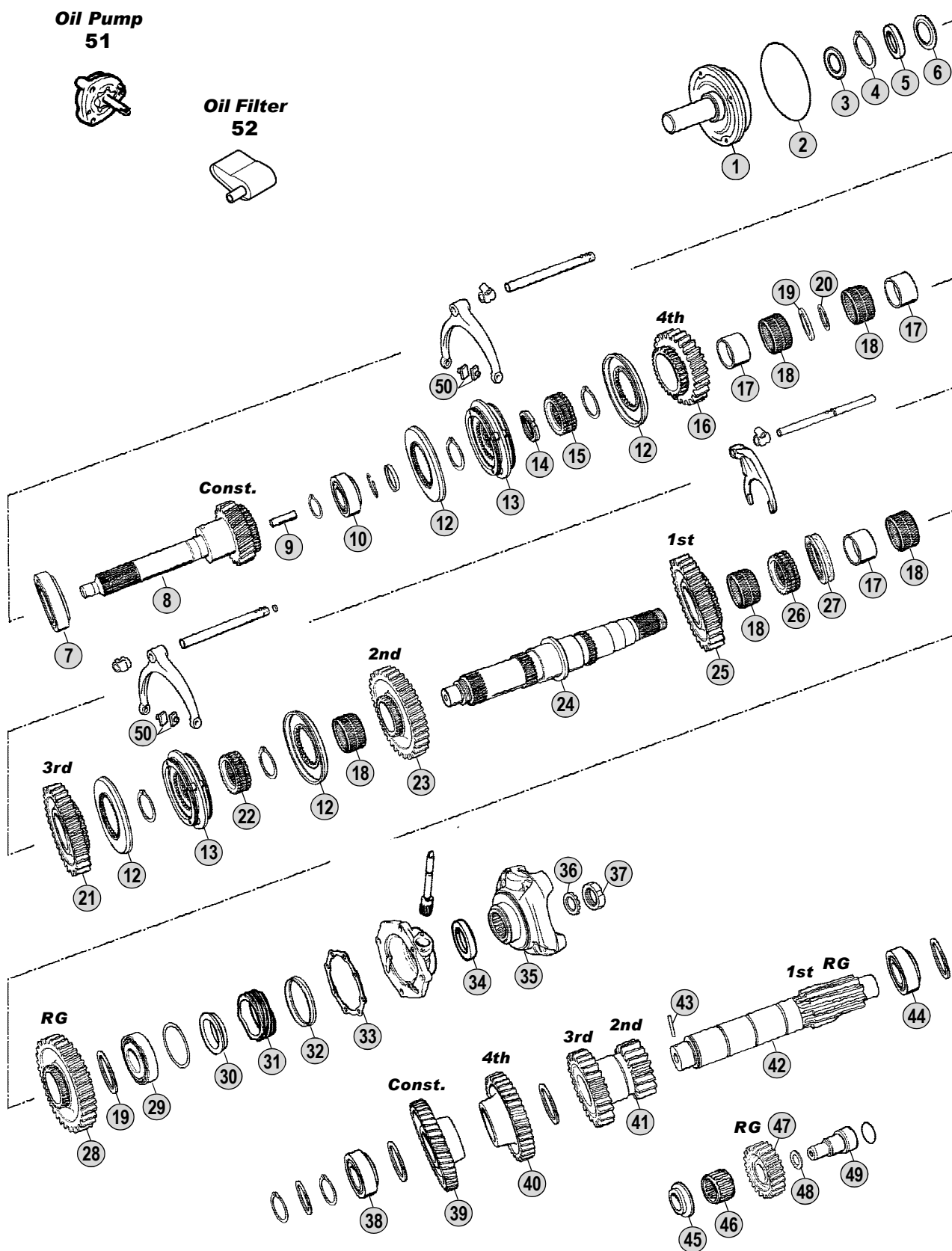
**Date**

05 / 2010

**Table****0010**

Adattabile a : **SCANIA**  
 Suitable To :

Modelli Cambio/ Gearbox Models  
**G760 - G761 - G764**



Models

### Serie 1

LB81(H) - LB/S/T86(H) - LB/S/T110(H) - LB/S/T111(H) - B/L100 - LS101

Bus BR115 - BR116



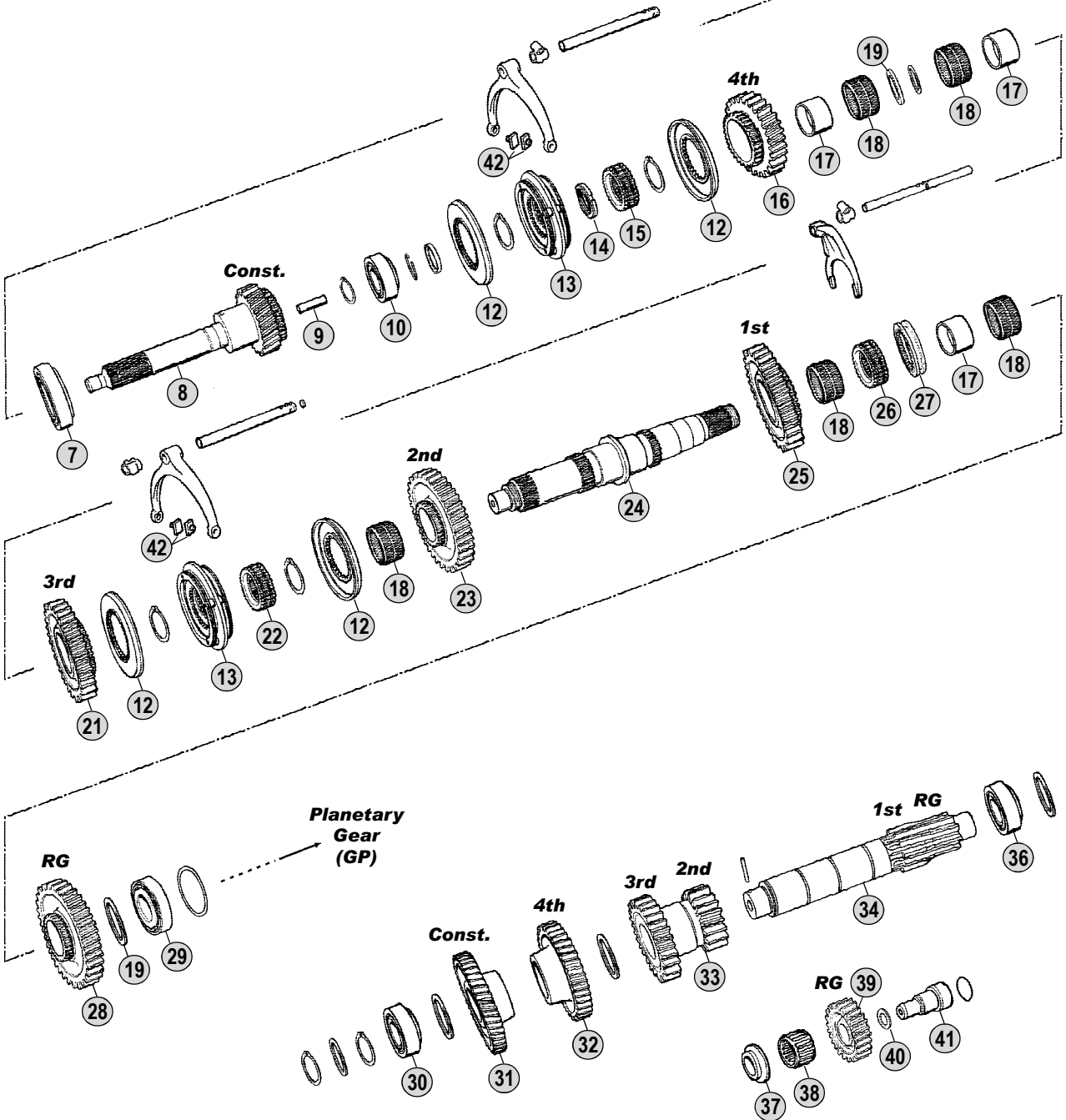
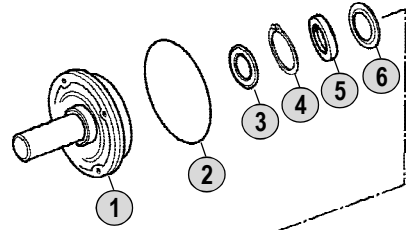
Adattabile a : **SCANIA**  
Suitable To :

Modelli Cambio/ Gearbox Models  
**GS760**

**Oil Pump**  
**43**



**Oil Filter**  
**44**



Models

**Serie 1**

LB81(H)

LB/S/T86(H)

Fig.	Rif. SCANIA	Description	Q.ty	Note	GS760				
1	224425	Front Cover	1		●				
2	194414	O Ring 203x3 mm	1		●				
3	388528	Oil Seal Ring D.45x65x9	1		●				
4	804792	Ring	1		●				
5	224455	Spacer	1		●				
6	194385	Oil Deflector	1		●				
7	194538	Bearing	1		●				
8	234913	Input Shaft 23 T	1		●				
9	315060	Oil tube	1		●				
10	194540	Bearing	1		●				
12	325113	Synchronizer Cone	4		●				
13	244990	Synchronizer Assy.	2		●				
14	194484	Nut M50x1,5	1		●				
15	224086	Synchronizer Hub	1		●				
16	234914	Gear 4th Speed 26 T	1		●				
17	194376	Bush	3		●				
18	194413	Needle Cage D.70x78x46	5		●				
19	194377	Spacer	2		●				
21	234915	Gear 3rd Speed 34 T	1		●				
22	224087	Guide Sleeve	1		●				
23	234916	Gear 2nd Speed 42 T	1		●				
24	284146	Main Shaft	1		●				
25	194560	Gear 1st Speed 43 T	1	(A)	●				
25	264883	Gear 1st Speed 39 T	1	(B)	●				
26	224125	Hub	1		●				
27	194578	Sliding Sleeve	1		●				
28	194561	Reverse Gear 39 T	1	(A)	●				
28	254527	Reverse Gear 39 T	1	(B)	●				
29	124270	Bearing	1		●				
30	284049	Bearing	1		●				
31	304622	Constant Gear 43 T	1		●				
32	194564	Gear 4th Speed 37 T	1		●				
33	194565	Double Gear 2nd/2rd Sp.-20/29 T	1		●				
34	194556	Countershaft 11/10 T	1	(A)	●				
34	264882	Countershaft 10/10 T	1	(B)	●				
36	194541	Bearing	1		●				
37	194798	Washer	1		●				
38	174371	Needle Cage D.38x50x32,8	1		●				
39	194562	Reverse Gear 23 T	1	(A)	●				
39	264688	Reverse Gear 23 T	1	(B)	●				
40	194400	Spacer Ring	1		●				
41	194343	Reverse Pin	1		●				
42	244090	Slide	4		●				
43	194838	Oil Pump	1		●				
44	224367	Oil Filter	1		●				

**Notes**

- (A) Up to gearbox **6101682** - Use items marked (A) together  
 (B) From gearbox **6101683** - Use items marked (B) together

**Date**

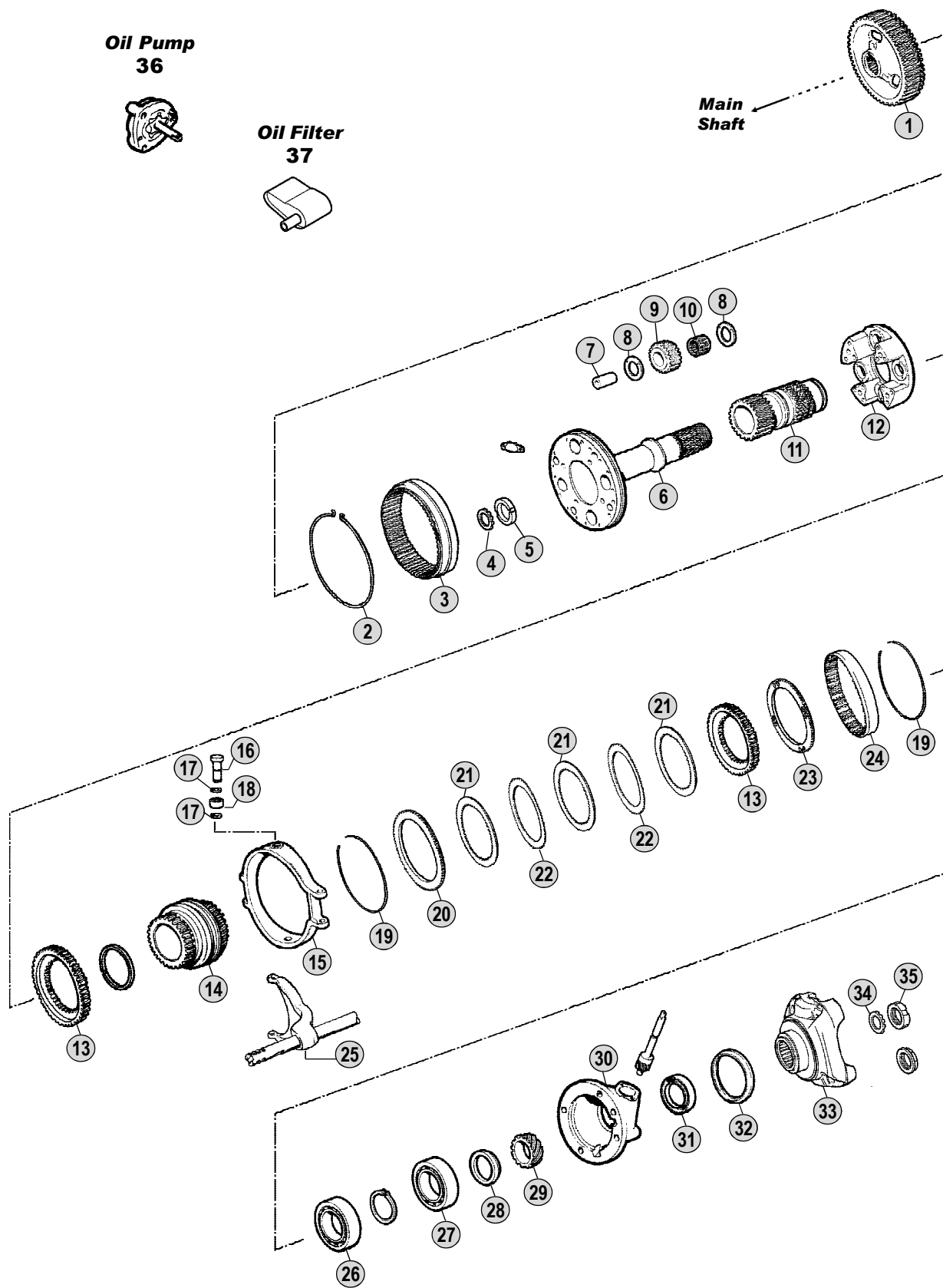
05 / 2010

**Table****0020**

Adattabile a : **SCANIA**  
 Suitable To :

Modelli Cambio/ Gearbox Models

**GS760**



*Models*

**Serie 1**

LB81(H)

LB/S/T86(H)

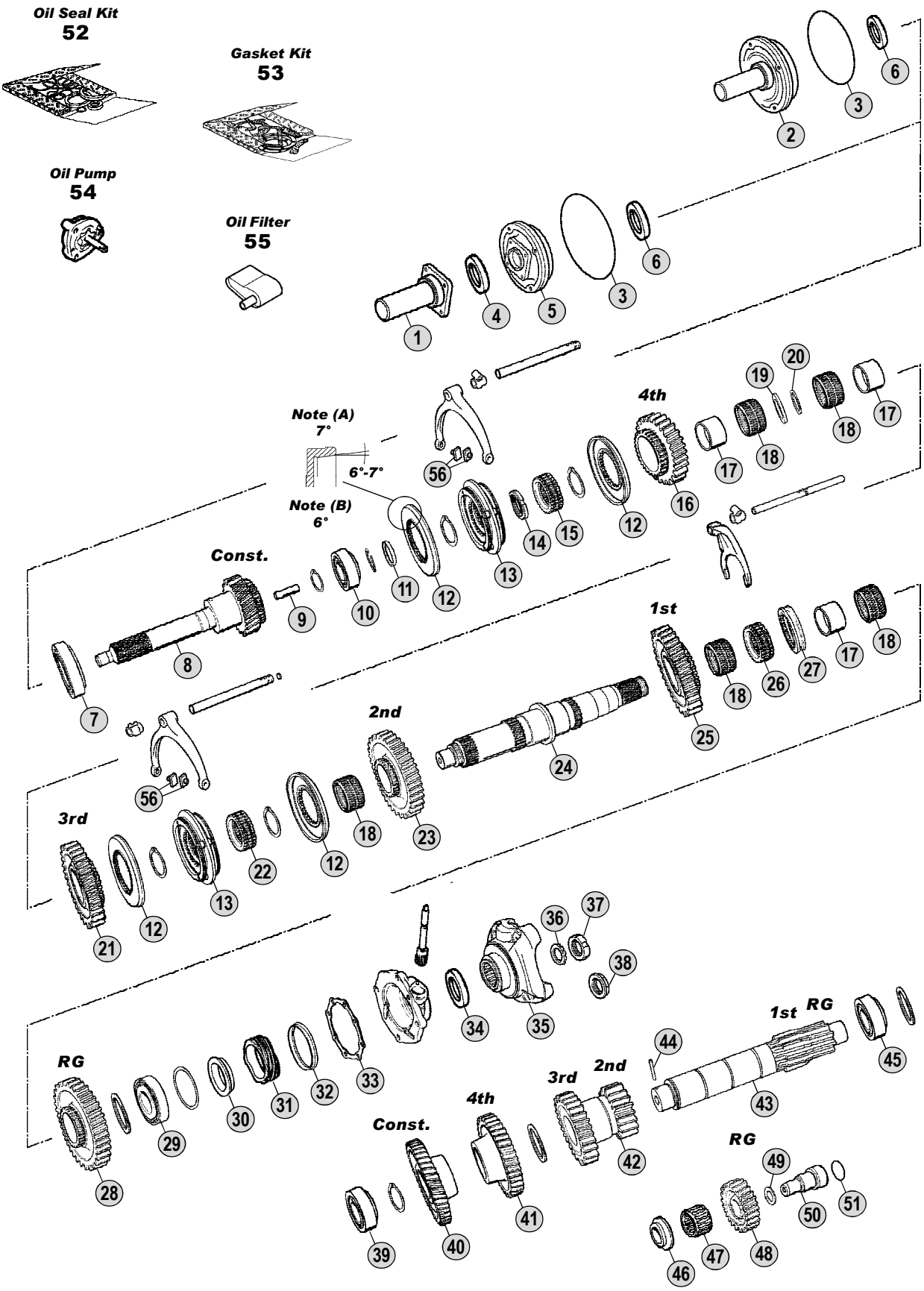






Adattabile a : **SCANIA**  
Suitable To :

**G770-G772-G773-G(H)774**



Models

**Serie 1 - Serie 2 - Serie 3**

LB81(H) - LB/S/T86(H) - LB/S/T111(H) - G/P/R 92 - G/P/R/T 112 - R/T 142

G/P/R/T 93 - G/P/R/T 113 Bus BR116

Fig.	Rif. SCANIA	Description	Q.ty	Note					
					G770	G772	G773	G774	GH774
1	1103619	Front Cover	1		●				
2	314857	Front Cover	1			●		●	
2	314858	Front Cover	1				●		
3	194414	O Ring 203x3 mm	1		●	●	●	●	●
4	315270	V-Ring	1		●				●
5	334389	Front Cover	1	(1)	●				
5	1312886	Front Cover	1	(2)	●				
5	314845	Front Cover	1						●
6	388528	Oil Seal Ring D.45x65x9	1		●	●	●	●	●
7	1121538	Bearing 76,22x139,7x36	1		●	●	●	●	●
8	294899	Input Shaft 23 T	1		●				
8	294896	Input Shaft 23 T	1			●			
8	294897	Input Shaft	1				●		
8	294898	Input Shaft 25 T	1					●	
8	294901	Input Shaft	1						●
9	315060	Oil tube	1		●	●	●	●	●
10	284843	Bearing 40x80x32	1		●	●	●	●	●
11	315022	Ring	1		●				●
12	325113	Synchronizer Cone	4	(A)	●				●
12	332118	Synchronizer Cone	4	(B)	●				●
12	325113	Synchronizer Cone	4			●	●	●	
13	244990	Synchronizer Assy.	2	(A)	●				●
13	328117	Synchronizer Assy.	2	(B)	●				●
13	244990	Synchronizer Assy.	2			●	●	●	
14	194484	Nut M50x1,5	1		●	●	●	●	●
15	224086	Synchronizer Hub	1		●	●	●	●	●
16	234914	Gear 4th Speed 26 T	1		●	●			
16	325251	Gear 4th Speed 28 T	1				●	●	●
17	194376	Bush	3		●	●	●	●	●
18	194413	Needle Cage D.70x78x46	5		●	●	●	●	●
19	315022	Ring	1			●	●	●	
20	264225	Ring	1		●				●
21	325252	Gear 3rd Speed 29 T	1		●	●	●	●	●
22	224087	Guide Sleeve	1		●	●	●	●	●
23	328382	Gear 2nd Speed 35 T	1		●	●	●	●	●
24	317400	Main Shaft	1		●	●	●	●	●
25	264883	Gear 1st Speed 39 T	1		●	●	●	●	●
26	224125	Hub	1		●	●	●	●	●
27	194578	Sliding Sleeve	1		●	●	●	●	●
28	254527	Reverse Gear 39 T	1		●	●	●	●	●
29	284997	Bearing 57x119,9x32,7	1		●	●	●	●	●
30	284806	Spacer	1		●				●
31	174806	Speedometer Gear	1		●	●	●	●	●
32	1307760	Dust Cover	1		●	●	●	●	●
33	387314	Gasket	1		●	●	●	●	●

**Notes**

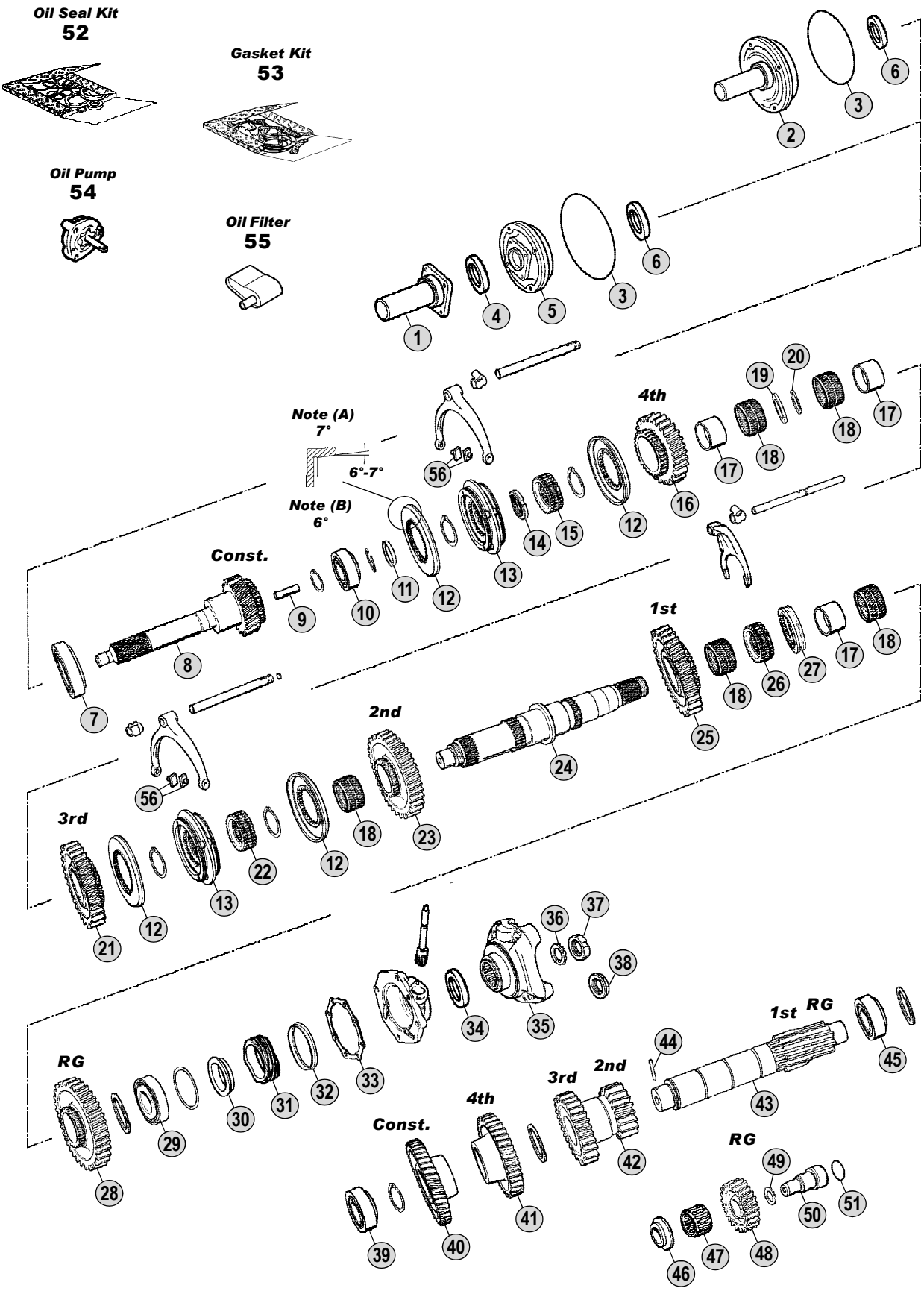
- (A) Use items marked (A) together (B) Use items marked (B) together  
 (1) Up to gearbox **6035193** (2) From gearbox **6035194**  
 (3) Old Type with spider straight housing (0°) (4) New Type with spider elical housing (4,5°)  
 (6) Containing 1 pc. **194414** Size **203x3** (Fig.3) (7) Containing 1 pc. **1309563** Size **203x5**

**Date**

05 / 2010

**Table****0030**

Adattabile a : **SCANIA** **G770-G772-G773-G(H)774**  
Suitable To :



Models

**Serie 1 - Serie 2 - Serie 3**

LB81(H) - LB/S/T86(H) - LB/S/T111(H) - G/P/R 92 - G/P/R/T 112 - R/T 142  
G/P/R/T 93 - G/P/R/T 113 Bus BR116



Adattabile a : **SCANIA**  
Suitable To :

**GS770**

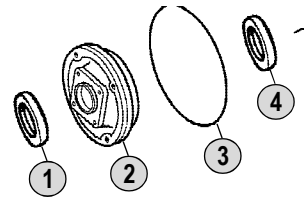
**Oil Pump  
41**



**Oil Filter  
42**



**Oil Seal Kit  
40**



**Note (A)  
7°**

**Note (B)  
6°**

**Const.**

**4th**

**1st**

**2nd**

**3rd**

**Planetary  
Gear  
(GP)**

**RG**

**1st RG**

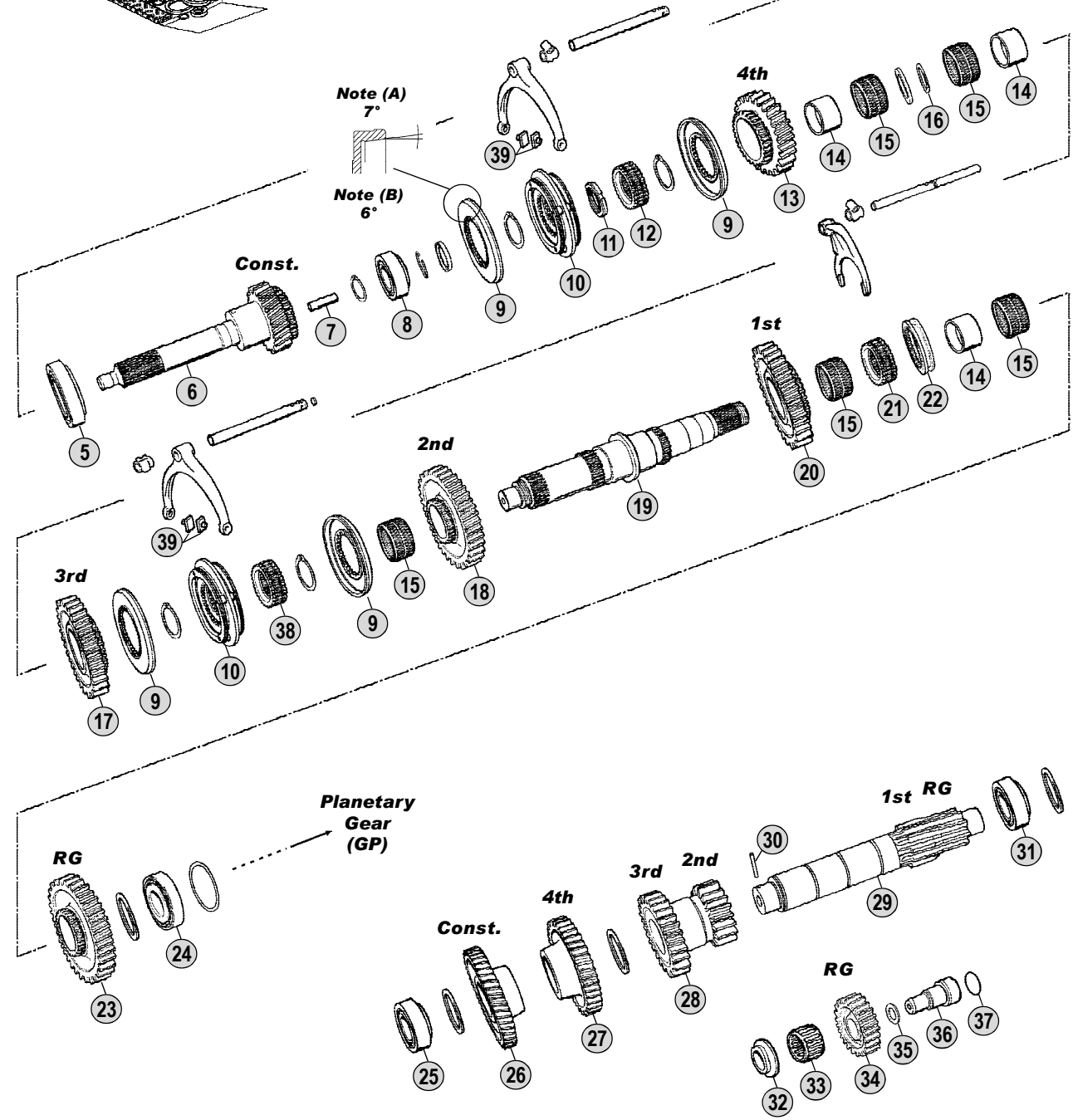
**Const.**

**4th**

**3rd**

**2nd**

**RG**



**Models**

**Serie 1 - Serie 2**

LB81(H) - LB/S/T86(H)

G82 - P82 - G112 - P112 - R112 - T112

Fig.	Rif. SCANIA	Description	Q.ty	Note	GS770				
1	315270	V-Ring	1		●				
2	315002	Front Cover	1		●				
3	194414	O Ring 203x3 mm	1		●				
4	388528	Oil Seal Ring D.45x65x9	1		●				
5	1121538	Bearing 76,22x139,7x36	1		●				
6	294899	Input Shaft 23 T	1		●				
7	315060	Oil tube	1		●				
8	284843	Bearing 40x80x32	1		●				
9	325113	Synchronizer Cone	4	(A)	●				
9	332118	Synchronizer Cone	4	(B)	●				
10	244990	Synchronizer Assy.	2	(A)	●				
10	328117	Synchronizer Assy.	2	(B)	●				
11	194484	Nut M50x1,5	1		●				
12	224086	Synchronizer Hub	1		●				
13	234914	Gear 4th Speed 26 T	1		●				
14	194376	Bush	3		●				
15	194413	Needle Cage D.70x78x46	5		●				
16	264225	Ring	1		●				
17	325252	Gear 3rd Speed 29 T	1		●				
18	328382	Gear 2nd Speed 35 T	1		●				
19	294638	Main Shaft	1		●				
20	264883	Gear 1st Speed 39 T	1		●				
21	224125	Hub	1		●				
22	194578	Sliding Sleeve	1		●				
23	254527	Reverse Gear 39 T	1		●				
24	284997	Bearing 57x119,9x32,7	1		●				
25	317350	Bearing 50x90x28	1		●				
26	304622	Constant Gear 43 T	1		●				
27	194564	Gear 4th Speed 37 T	1		●				
28	325255	Double Gear 2nd/3rd Sp.-17/25 T	1		●				
29	284807	Countershaft 10/10 T	1		●				
30	340430	Pin	1		●				
31	294023	Bearing	1		●				
32	194798	Washer	1		●				
33	174371	Needle Cage D.38x50x32,8	1		●				
34	264688	Reverse Gear 23 T	1		●				
35	194400	Spacer Ring	1		●				
36	358046	Reverse Pin	1		●				
37	810974	O-Ring	1		●				
38	224087	Guide Sleeve	1		●				
39	244090	Slide	4		●				
40	550520	Oil Seals Kit	1	(1)	●				
40	550537	Oil Seals Kit	1	(2)	●				
41	194838	Oil Pump	1		●				
42	224367	Oil Filter	1		●				

**Notes**

- (A) Use items marked (A) together  
 (B) Use items marked (B) together  
 (1) Containing 1 pc. **194414** Size **203x3** (Fig.3)  
 (2) Containing 1 pc. **1309563** Size **203x5**

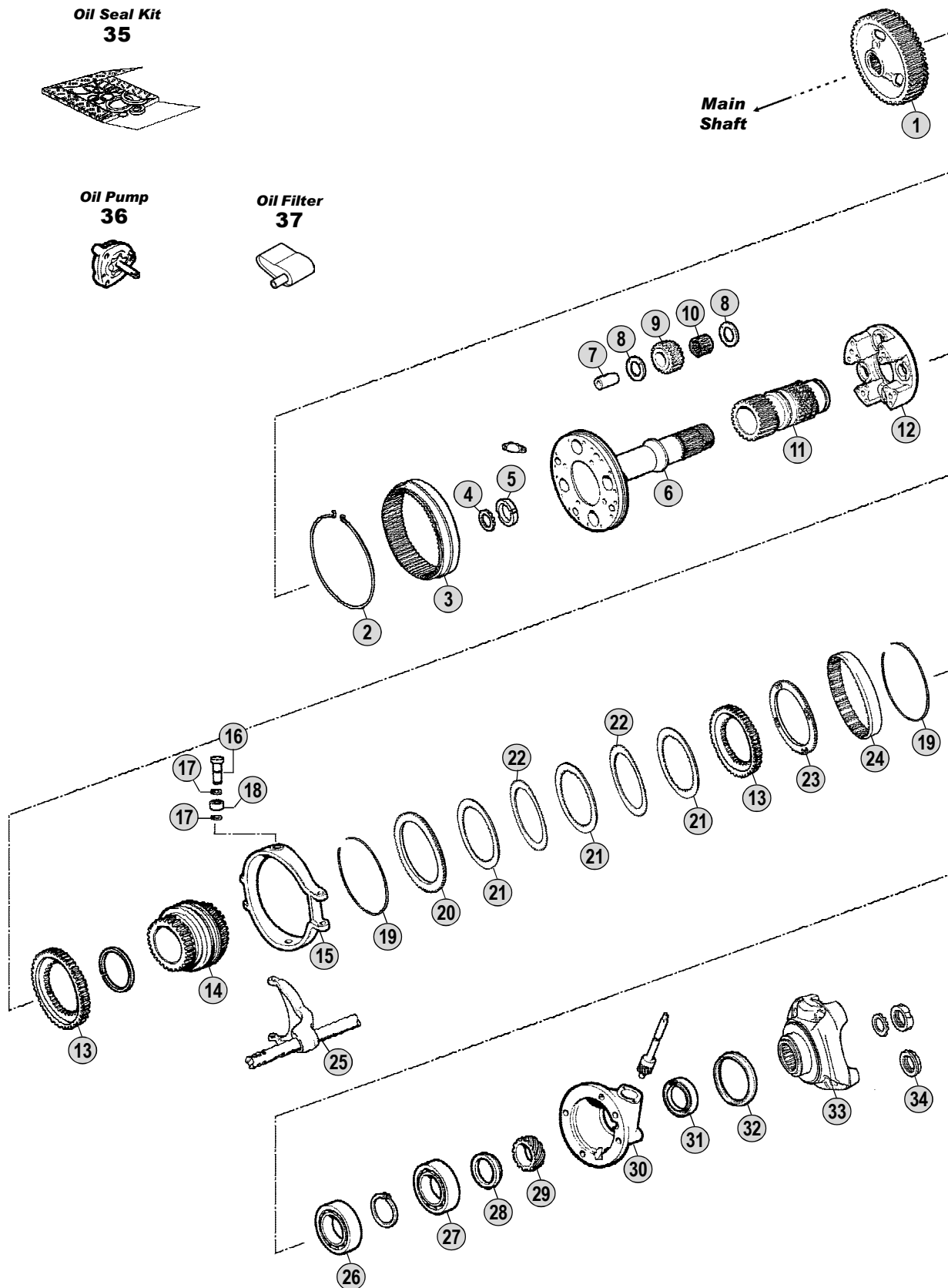
**Date**

05 / 2010

**Table****0040**

Adattabile a : **SCANIA**  
 Suitable To :

**GS770**



*Models*

**Serie 1 - Serie 2**

LB81(H) - LB/S/T86(H)

G82 - P82 - G112 - P112 - R112 - T112



Fig.	Rif. SCANIA	Description	Q.ty	Note	GS770				
1	164014	Gear	1		●				
2	164939	Retainer Ring	1		●				
3	164016	Crown Gear 89 T	1		●				
4	184055	Washer	1		●				
5	184054	Grooved Nut M50x1,5	1		●				
6	274077	Planetary Carrier	1		●				
7	164032	Pin	4		●				
8	164033	Washer	8		●				
9	164030	Planetary Gear 19 T	4		●				
10	174371	Needle Cage D.38x50x32,8	4		●				
11	264115	Sun Gear	1		●				
12	264801	Planetary Plate	1		●				
13	194821	Hub	2		●				
14	254987	Coupling Sleeve	1		●				
15	184498	Collar	1		●				
16	184905	Pin	2		●				
17	194298	Ring	4		●				
18	214088	Bearing	2		●				
19	184492	Lock Ring D.2mm	4		●				
20	194822	Pressure Ring	2		●				
21	194429	Inner Disk 50 T	6		●				
22	325114	Outer Disk 68 T	4		●				
23	234882	Gear Disk	2		●				
24	184490	Disk Housing	2		●				
25	274001	Fork	1	Complete	●				
26	164042	Bearing	1		●				
27	32302	Bearing	1		●				
28	151099	Spacer	1		●				
29	174806	Speedometer Gear	1		●				
30	194893	Cover	1		●				
31	1335243	Oil Seal Ring D.80x100x10 (Green)	1	Old Style (Green)	●				
31	338643	Oil Seal Ring (Brown)	1	New Style (Brown)	●				
32	1307760	Dust Cover	1		●				
33	169133	Output Flange	1	T-TA 60/T62	●				
33	208513	Output Flange	1	T-TA 70	●				
33	315548	Output Flange	1	(3) P/PF40	●				
33	338234	Output Flange	1	(4) P/PF40	●				
34	315085	Grooved Nut M50x1,5	1		●				
35	550520	Oil Seals Kit	1	(1)	●				
35	550537	Oil Seals Kit	1	(2)	●				
36	194838	Oil Pump	1		●				
37	224367	Oil Filter	1		●				

**Notes**

- (1) Containing 1 pc. **194414** Size **203x3**  
(2) Containing 1 pc. **1309563** Size **203x5**  
(3) Old Type with spider straight housing (0°)  
(4) New Type with spider elical housing (4,5°)

**Date**

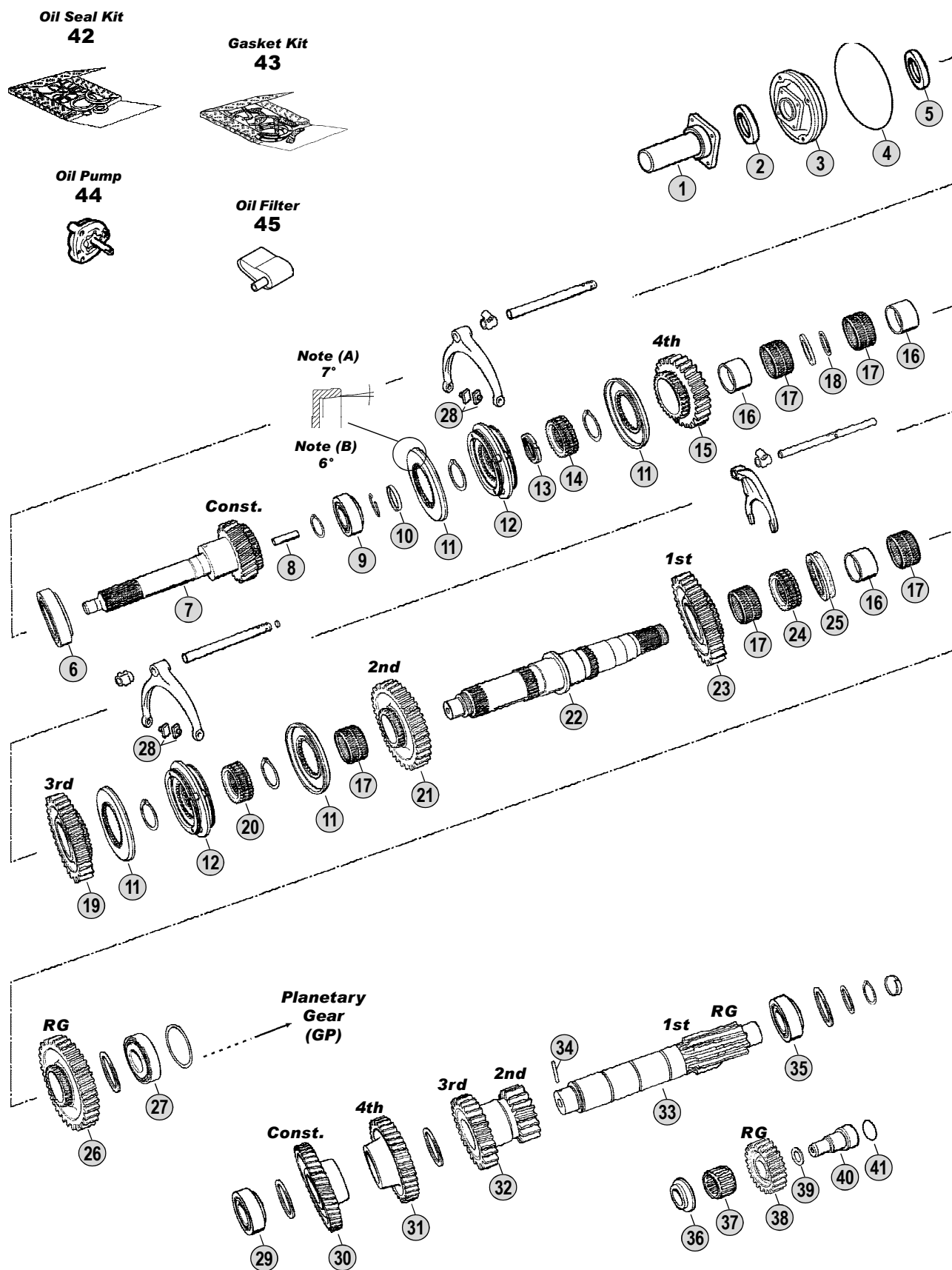
05 / 2010

**Table****0045**



Adattabile a : **SCANIA**  
 Suitable To :

Modelli Cambio/ Gearbox Models  
**GS771 - GS772**



Models

**Serie 2 - Serie 3**

G82 - P82 - G92 - P92 - R92 - G112 - P112 - R112 - T112  
 G93 - P93 - R93 - T93 - P113 - R113 Bus K113CLB

Fig.	Rif. SCANIA	Description	Q.ty	Note	GS771	GS772			
1	1103619	Front Cover	1		●	●			
2	315270	V-Ring	1		●	●			
3	334389	Front Cover	1	(1)	●	●			
3	1312886	Front Cover	1	(2)	●	●			
4	194414	O Ring 203x3 mm	1		●	●			
5	388528	Oil Seal Ring D.45x65x9	1		●	●			
6	1121538	Bearing 76,22x139,7x36	1		●	●			
7	294899	Input Shaft 23 T	1		●	●			
7	294896	Input Shaft 23 T	1		●	●			
8	315060	Oil tube	1		●	●			
9	284843	Bearing 40x80x32	1		●	●			
10	315022	Ring	1		●	●			
11	325113	Synchronizer Cone	4	(A)	●	●			
11	332118	Synchronizer Cone	4	(B)	●	●			
12	244990	Synchronizer Assy.	2	(A)	●	●			
12	328117	Synchronizer Assy.	2	(B)	●	●			
13	194484	Nut M50x1,5	1		●	●			
14	224086	Synchronizer Hub	1		●	●			
15	322808	Gear 4th Speed 25 T	1		●				
15	234914	Gear 4th Speed 26 T	1			●			
16	194376	Bush	3		●	●			
17	194413	Needle Cage D.70x78x46	5		●	●			
18	264225	Ring	1		●	●			
19	325252	Gear 3rd Speed 29 T	1		●	●			
20	224087	Guide Sleeve	1		●	●			
21	328382	Gear 2nd Speed 35 T	1		●	●			
22	324288	Main Shaft	1		●	●			
23	264883	Gear 1st Speed 39 T	1		●	●			
24	224125	Hub	1		●	●			
25	194578	Sliding Sleeve	1		●	●			
26	254527	Reverse Gear 39 T	1		●	●			
27	284997	Bearing 57x119,9x32,7	1		●	●			
28	244090	Slide	4		●	●			
29	317350	Bearing 50x90x28	1		●	●			
30	304622	Constant Gear 43 T	1		●	●			
31	322809	Gear 4th Speed 40 T	1		●				
31	194564	Gear 4th Speed 37 T	1			●			
32	325255	Double Gear 2nd/3rd Sp.-17/25 T	1		●	●			
33	284807	Countershaft 10/10 T	1		●	●			
34	340430	Pin	1		●	●			
35	294023	Bearing	1		●	●			
36	194798	Washer	1		●	●			
37	174371	Needle Cage D.38x50x32,8	1		●	●			
38	264688	Reverse Gear 23 T	1		●	●			
39	194400	Spacer Ring	1		●	●			

**Notes**

- (A) Use items marked (A) together (B) Use items marked (B) together  
 (1) Up to gearbox **6104102** (2) From gearbox **6104103**  
 (3) Containing 1 pc. **194414** Size **203x3** (Fig.4)  
 (4) Containing 1 pc. **1309563** Size **203x5**

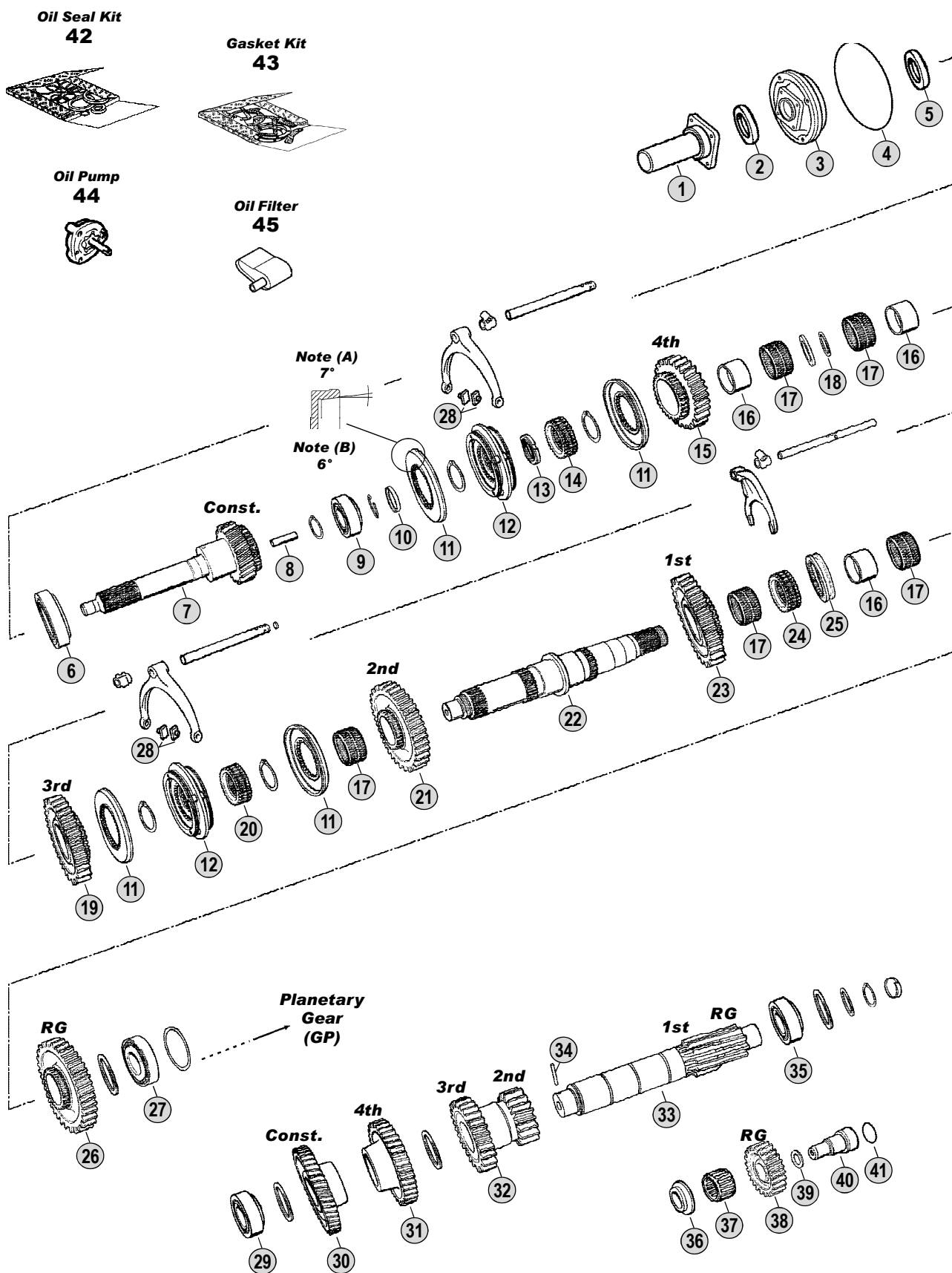
**Date**

05 / 2010

**Table****0050**

Adattabile a : **SCANIA**  
 Suitable To :

Modelli Cambio/ Gearbox Models  
**GS771 - GS772**



Models

**Serie 2 - Serie 3**

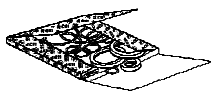
G82 - P82 - G92 - P92 - R92 - G112 - P112 - R112 - T112  
 G93 - P93 - R93 - T93 - P113 - R113 Bus K113CLB



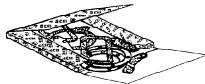
Adattabile a : **SCANIA**  
Suitable To :

Modelli Cambio/ Gearbox Models  
**GS771 - GS772**

**Oil Seal Kit  
29**



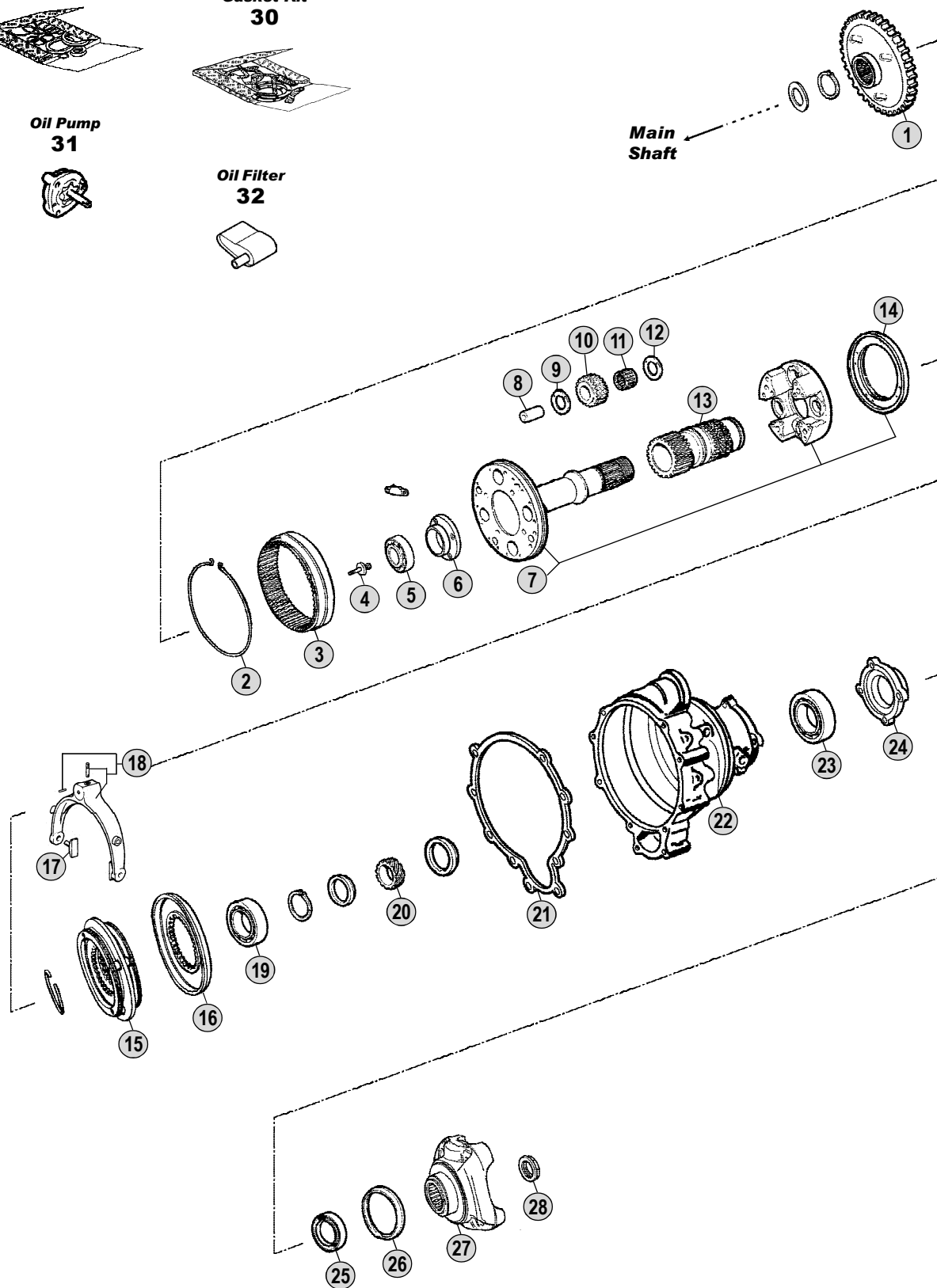
**Gasket Kit  
30**



**Oil Pump  
31**



**Oil Filter  
32**



*Models*

**Serie 2 - Serie 3**

**G82 - P82 - G92 - P92 - R92 - G112 - P112 - R112 - T112**

**G93 - P93 - R93 - T93 - P113 - R113 Bus K113CLB**

Fig.	Rif. SCANIA	Description	Q.ty	Note	GS771	GS772			
1	324285	Gear	1		●	●			
2	164939	Retainer ring	1		●	●			
3	164016	Crown 89 T	1		●	●			
4	324278	Screw	1		●	●			
5	324273	Bearing	1		●	●			
6	342831	Bearing Housing	1		●	●			
7	358173	Planetary carrier	1		●	●			
7	358174	Planetary carrier	1	CAG Version	●	●			
8	324260	Pin	4		●	●			
9	324240	Washer	4		●	●			
10	164030	Planetary Gear 19 T	4		●	●			
11	174371	Needle cage D.38x50x32,8	4		●	●			
12	324241	Washer	4		●	●			
13	1302774	Sun Gear	1		●	●			
14	338044	Synchronizer cone	1	(1) Old Type	●	●			
14	1321891	Synchronizer cone	1	New Type	●	●			
14	1327984	Synchronizer cone	1	CAG Version	●	●			
15	333906	Synchronizer Assy.	1		●	●			
16	324267	Synchronizer cone	1		●	●			
17	244090	Slide	2		●	●			
18	332565	Fork	1		●	●			
19	1302858	Bearing	1		●	●			
20	174806	Speedometer Gear	1		●	●			
21	387311	Gasket	1		●	●			
22	357806	Planetary housing	1		●	●			
22	391562	Planetary housing	1	CAG Version	●	●			
23	32302	Bearing	1		●	●			
24	324253	Cover	1		●	●			
25	1335243	Oil Seal Ring D.80x100x10 (Green)	1	Old Style (Green)	●	●			
25	338643	Oil Seal Ring (Brown)	1	New Style (Brown)	●	●			
26	1307760	Dust Cover	1		●	●			
27	315547	Output flange	1	(2) P/PF 30	●	●			
27	338233	Output Flange	1	(3) P/PF 30	●	●			
27	315548	Output flange	1	(2) P/PF 40	●	●			
27	338234	Output Flange	1	(3) P/PF 40	●	●			
27	315549	Output flange	1	(2) P/PF 50	●	●			
27	338235	Output Flange	1	(3) P/PF 50	●	●			
28	315085	Grooved nut M 50x1,5	1		●	●			
29	550520	Oil Seal Kit	1	(4)	●	●			
29	550537	Oil Seals Kit	1	(5)	●	●			
30	550533	Gasket kit	1		●	●			
31	194838	Oil Pump	1		●	●			
32	224367	Oil Filter	1		●	●			

**Notes**

- (1) **338044** Old type **can use** old style Rivet **335663** an new style Rivet **807946**.  
**1321891** New type **must be use** only with new style Rivet **807946**.  
(2) Old Type with spider straight housing (0°) (3) New Type with spider elical housing (4,5°)  
(4) Containing 1 pc. **194414** Size **203x3** (5) Containing 1 pc. **1309563** Size **203x5**

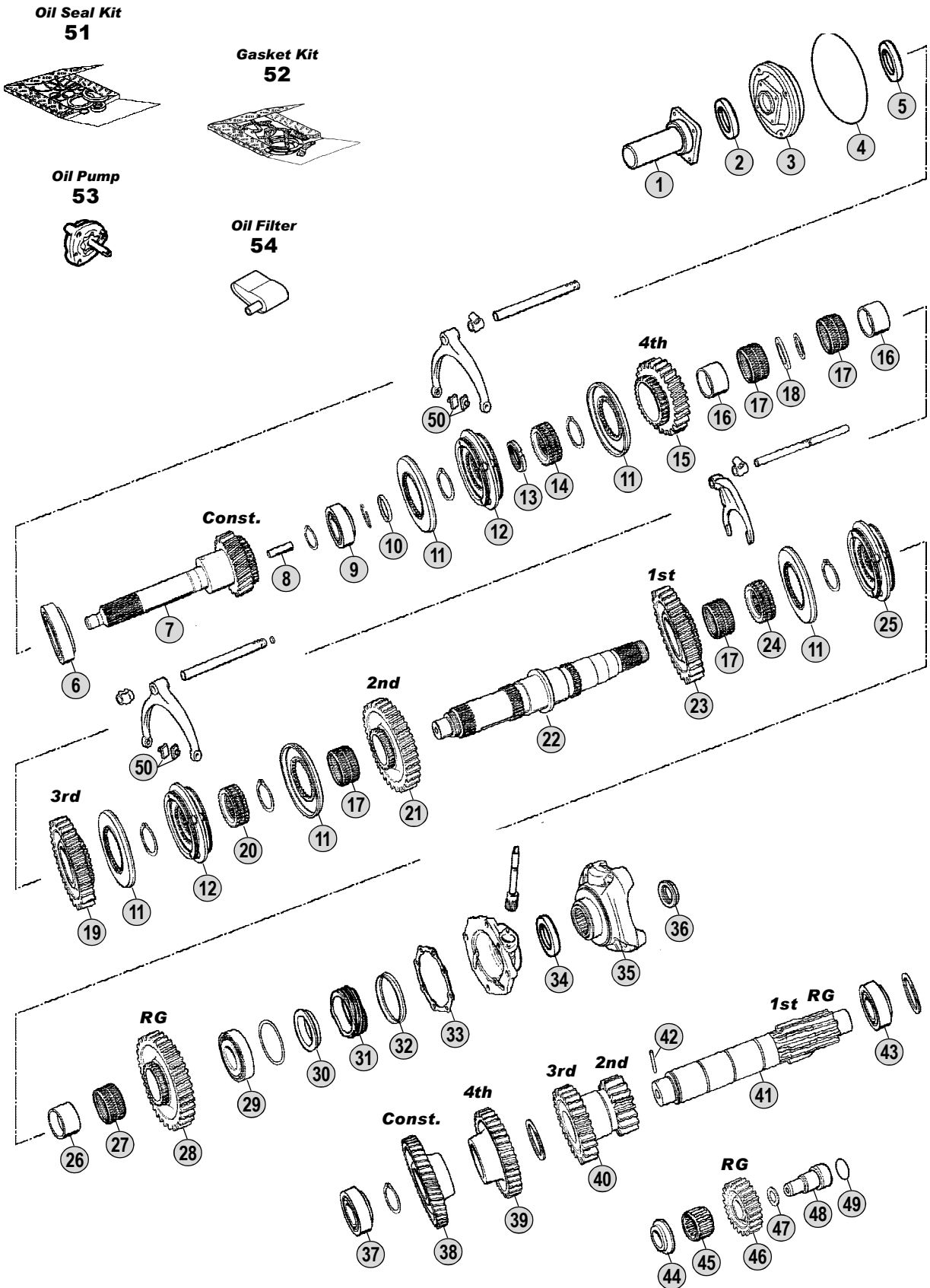
**Date**

05 / 2010

**Table****0055**

Adattabile a : **SCANIA**  
Suitable To :

Modelli Cambio/ Gearbox Models  
**G776 - G777**



Models

**Serie 2 - Serie 3**

**Bus K92CL - Bus K112**

**Bus K113**



Fig.	Rif. SCANIA	Description	Q.ty	Note	G776	G777			
1	1103619	Front Cover	1		●	●			
2	315270	V-Ring	1		●	●			
3	334389	Front Cover	1		●	●			
4	194414	O Ring 203x3 mm	1		●	●			
5	388528	Oil Seal Ring D.45x65x9	1		●	●			
6	1121538	Bearing 76,22x139,7x36	1		●	●			
7	294898	Input Shaft 25 T	1	(1)	●	●			
7	1352794	Input Shaft 25 T	1	(2)	●	●			
8	315060	Oil tube	1		●	●			
9	284843	Bearing 40x80x32	1		●	●			
10	315022	Ring	1		●	●			
11	325113	Synchronizer Cone	5	(A)	●				
11	332118	Synchronizer Cone	5	(B)	●				
11	332118	Synchronizer Cone	5			●			
12	244990	Synchronizer Assy.	2	(A)	●				
12	328117	Synchronizer Assy.	2	(B)	●				
12	328117	Synchronizer Assy.	2			●			
13	194484	Nut M50x1,5	1		●	●			
14	224086	Synchronizer Hub	1		●	●			
15	325251	Gear 4th Speed 28 T	1		●	●			
16	194376	Bush	2		●	●			
17	194413	Needle Cage D.70x78x46	4		●	●			
18	264225	Ring	1		●	●			
19	325252	Gear 3rd Speed 29 T	1		●	●			
20	224087	Guide Sleeve	1		●	●			
21	317978	Gear 2nd Speed 35 T	1		●				
21	328382	Gear 2nd Speed 35 T	1			●			
22	317400	Main Shaft	1		●	●			
23	317979	Gear 1st Speed 39 T	1		●				
23	1115264	Gear 1st Speed 39 T	1			●			
24	315680	Hub	1		●	●			
25	353041	Synchronizer Assy.	1	(A)	●				
25	325107	Synchronizer Assy.	1	(B)	●				
25	325107	Synchronizer Assy.	1			●			
26	315682	Bush	1		●	●			
27	315683	Needle Cage	1		●	●			
28	1117993	Reverse Gear 39 T	1		●	●			
29	284997	Bearing 57x119,9x32,7	1		●	●			
30	284806	Spacer	1		●	●			
31	174806	Speedometer Gear	1		●	●			
32	1307760	Dust Cover	1		●	●			
33	387314	Gasket	1		●	●			
34	1335243	Oil Seal Ring D.80x100x10 (Green)	1	Old Style (Green)	●	●			
34	338643	Oil Seal Ring (Brown)	1	New Style (Brown)	●	●			
35	315548	Output Flange	1	(3) P/PF40	●	●			

**Notes**

- (A) Use items marked (A) together (B) Use items marked (B) together  
 (1) Up to gearbox **1823419** (2) From gearbox **1823420**  
 (3) Old Type with spider straight housing (0°) (4) New Type with spider elical housing (4,5°)  
 (5) Containing 1 pc. **194414** Size **203x3** (Fig.4) (6) Containing 1 pc. **1309563** Size **203x5**

**Date**

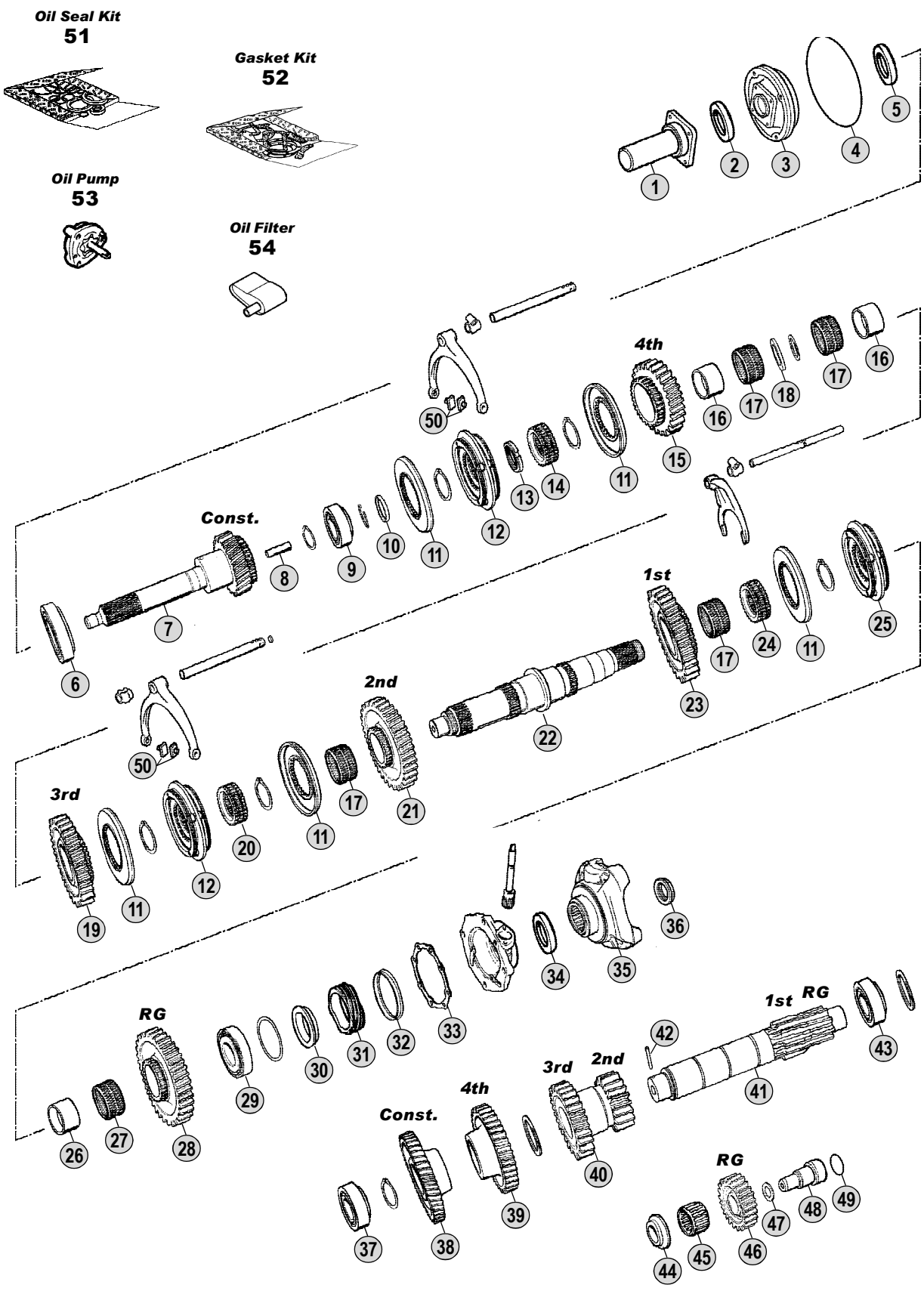
05 / 2010

**Table****0060**



Adattabile a : **SCANIA**  
Suitable To :

Modelli Cambio/ Gearbox Models  
**G776 - G777**



Models

**Serie 2 - Serie 3**

**Bus K92CL - Bus K112**

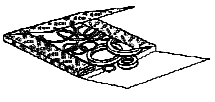
**Bus K113**



Adattabile a : **SCANIA**  
 Suitable To :

**GR801 - GR801R (W/Retarder)**

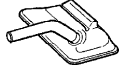
**Oil Seal & Gasket Kit 66**



**Oil Pump 67**



**Oil Filter 68**

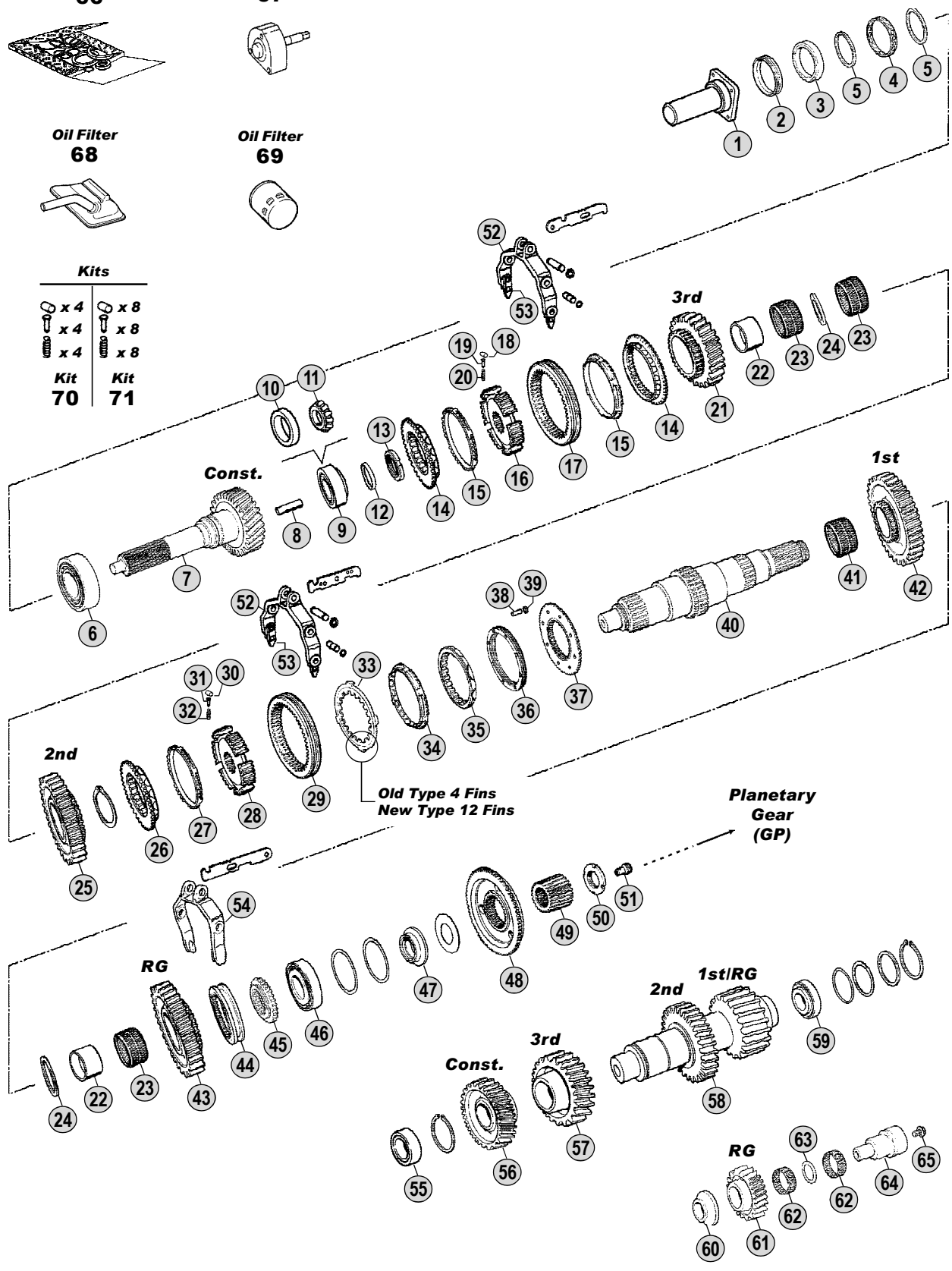


**Oil Filter 69**



**Kits**

x 4	x 8
x 4	x 8
x 4	x 8
<b>Kit 70</b>	<b>Kit 71</b>



**Models**

**Serie 3 - Serie 4 - Serie K (Buses) - Serie N (Buses)**

**G93 - P93 - R93 - T93 Bus K93CLB - K113CLB**

**94C - 94D - 94G - 94L Bus K94 - K114 Bus Serie K - Serie N**

Fig.	Rif. SCANIA	Description	Q.ty	Note	GR801	GR801R			
1	1103934	Cover	1		●	●			
2	378613	V-Ring D.45	1		●	●			
3	1318388	Oil Seal 55x75x9	1		●	●			
4	1114315	Ring	1		●	●			
5	1515004	Ring	2		●	●			
6	1327878	Bearing D.65x150x40	1	Oem	●	●			
6	1327878	Bearing D.65x150x40	1	A.Market	●	●			
7	1377309	Input Shaft 35 T	1		●	●			
7	1378582	Input Shaft	1	EK-PTO	●	●			
8	315060	Oil tube	1		●	●			
9	361043	Bearing 40x85x33	1	Oem Old Type	●	●			
9	361043	Bearing 40x85x33	1	A.Market Old Type	●	●			
10	1548819	Bearing Cone 85 mm	1	Oem New Type	●	●			
10	1548819	Bearing Cone 85 mm	1	A.Market New Type	●	●			
11	1883975	Roller Bearing 40x30 mm	1	New Type	●	●			
12	358404	Ring	1		●	●			
13	1461414	Nut	1		●	●			
14	1116477	Synchronizer Cone	2		●	●			
15	1382465	Synchronizer Ring	2	(A)	●	●			
15	1756447	Synchronizer Ring	2	(B)	●	●			
16	1121658	Synchronizer Hub	1		●	●			
17	369906	Sliding Sleeve	1	(A)	●	●			
17	1529939	Sliding Sleeve	1	(B)	●	●			
18	374334	Roller	4		●	●			
19	369910	Pin	4		●	●			
20	369911	Spring	4		●	●			
21	1853935	Gear 3rd Speed 39 T	1		●	●			
22	1104048	Bush	2		●	●			
23	1104047	Needle cage	3		●	●			
24	1104049	Spacer	2		●	●			
25	1853937	Gear 2nd Speed 41 T	1		●	●			
26	1116477	Synchronizer Cone	1		●	●			
27	1382465	Synchronizer Ring	1	(A)	●	●			
27	1756447	Synchronizer Ring	1	(B)	●	●			
28	1376499	Synchronizer Hub	1		●	●			
29	1111295	Sliding Sleeve 1st-2nd Speed	1	(A)	●	●			
29	1529939	Sliding Sleeve	1	(B)	●	●			
30	374334	Roller	4		●	●			
31	369910	Pin	4		●	●			
32	369911	Spring	4		●	●			
33	1401622	Driver Plate	1	(A)(1) New Style 12 Fins	●	●			
33	1533848	Driver Plate	1	(B)	●	●			
34	1401620	Synchronizer Ring	1	(A)(1) New Style 12 Fins	●	●			
34	1529950	Synchronizer Ring	1	(B)	●	●			
35	1438526	Synchronizer Ring	1		●	●			

**Notes**

(A - B) To be coupled together (Note A Standard Generation / Note B Latest Generation)

(1) **Old style with 4 fins** not listed in the catalogue. The **old ring 391804** (fig.33) andthe **old Synchro ring 373272** (fig.34) can be replaced by :1 pc. **169.740 - 1401622** (Fig.33) + 1 pc. **119.146 - 1401620** (Fig.34)(2) Up to gearbox **6904921** (3) From Gearbox **6904922**(\*) **Old and New Gen.** Can be replaced by Synchro rebuilt kit **298.188** (Latest Gen.) shown in the next table(@) **LATEST GENERATION.** To be coupled together.**Date**

05 / 2010

**Table****0070**

Adattabile a : **SCANIA**  
 Suitable To :

**GR801 - GR801R (W/Retarder)**

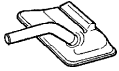
**Oil Seal & Gasket Kit 66**



**Oil Pump 67**



**Oil Filter 68**

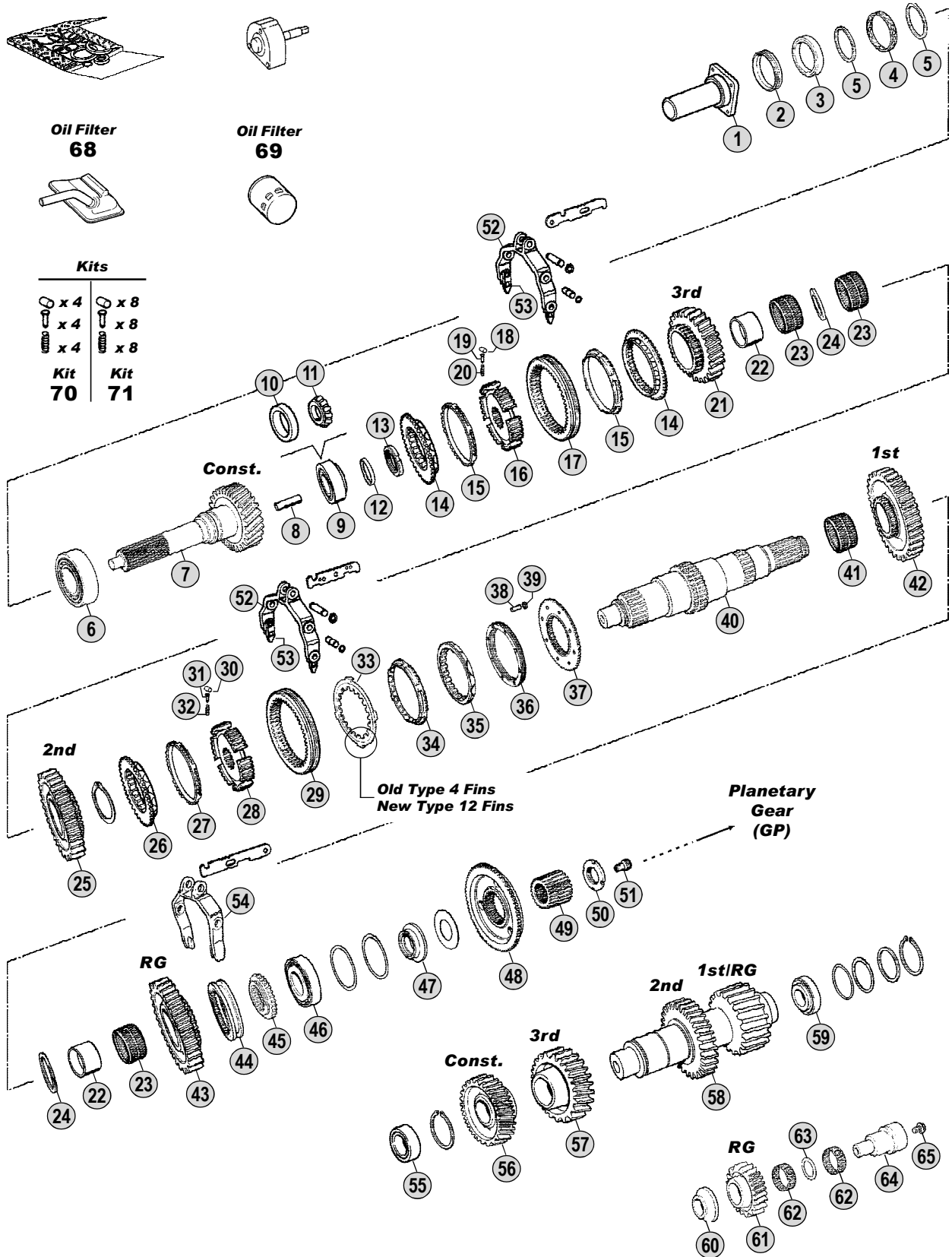


**Oil Filter 69**



**Kits**

x 4	x 8
x 4	x 8
x 4	x 8
<b>Kit 70</b>	<b>Kit 71</b>



**Models**

**Serie 3 - Serie 4 - Serie K (Buses) - Serie N (Buses)**

**G93 - P93 - R93 - T93 Bus K93CLB - K113CLB**

**94C - 94D - 94G - 94L Bus K94 - K114 Bus Serie K - Serie N**

Fig.	Rif. SCANIA	Description	Q.ty	Note	GR801	GR801R			
36	1383895	Intermediate Synchro Ring	1	(A)	●	●			
36	1466318	Intermediate Synchro Ring	1	(B)	●	●			
37	1300061	Synchronizer Cone	1		●	●			
38	1340002	Pin	8		●	●			
39	383138	Lock Ring	8		●	●			
40	1325346	Main Shaft	1	(2)	●	●			
40	1387296	Main Shaft	1	(3)	●	●			
41	378628	Needle Cage D.80x88x40	1		●	●			
42	1846634	Gear 1st Speed 39 T	1		●	●			
43	1104054	Reverse Gear 35 T	1		●	●			
44	1104058	Sliding Sleeve	1		●	●			
45	1104056	Fixed Hub	1		●	●			
46	1327878	Bearing D.65x150x40	1	Oem	●	●			
46	1327878	Bearing D.65x150x40	1	A.Market	●	●			
47	1113911	Washer	1		●	●			
48	1304850	Synchronizer Cone	1	(*) Old Generation	●	●			
48	1789444	Synchronizer Cone	1	(*) New Generation	●	●			
48	1883354	Synchronizer Cone	1	(@) Latest Generation	●	●			
49	1459308	Sun Gear 24 T	1		●				
49	1459309	Sun Gear 24 T	1			●			
50	1461417	Nut	1		●				
50	1461416	Nut	1			●			
51	1314986	Oil Plug	1	(2)	●	●			
51	1387297	Oil Plug	1	(3)	●	●			
52	1327286	Fork	2		●	●			
53	1423484	Slide	4	Standard	●	●			
53	1423485	Slide	4	Size -0,2	●	●			
53	1423486	Slide	4	Size +0,2	●	●			
54	1118975	Fork	1		●	●			
55	1903570	Bearing D.50x100x37,65	1	Oem	●	●			
55	1903570	Bearing D.50x100x37,65	1	A.Market	●	●			
56	1303694	Constant Gear 46 T	1		●	●			
57	1853934	Gear 3rd Speed 41 T	1		●	●			
58	1853932	Countershaft 21/32 T	1		●	●			
59	1357711	Bearing 60X130X33,5	1	Oem	●	●			
59	1357711	Bearing 60X130X33,5	1	A.Market	●	●			
60	378614	Washer	1		●	●			
61	1302789	Reverse Gear 23 T	1		●	●			
62	378615	Needle Cage D.50x62x21,5	2		●	●			
63	380109	Spacer	1		●	●			
64	1510337	Reverse Pin	1		●	●			
65	812534	Screw	1		●	●			
66	550578	Oil Seals and Gaskets Kit	1		●	●			
67	1426449	Oil Pump	1		●	●			
68	1307097	Oil Filter	1		●	●			

**Notes**

(A - B) To be coupled together (Note A Standard Generation / Note B Latest Generation)

(1) **Old style with 4 fins** not listed in the catalogue. The **old ring 391804** (fig.33) andthe **old Synchro ring 373272** (fig.34) can be replaced by :1 pc. **169.740 - 1401622** (Fig.33) + 1 pc. **119.146 - 1401620** (Fig.34)(2) Up to gearbox **6904921** (3) From Gearbox **6904922**(\*) **Old and New Gen.** Can be replaced by Synchro rebuilt kit **298.188** (Latest Gen.) shown in the next table(@) **LATEST GENERATION.** To be coupled together.**Date**

05 / 2010

**Table****0070**



Adattabile a : **SCANIA**  
Suitable To :

# GR801 - GR801R (W/Retarder)

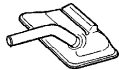
**Oil Seal & Gasket Kit 66**



**Oil Pump 67**



**Oil Filter 68**

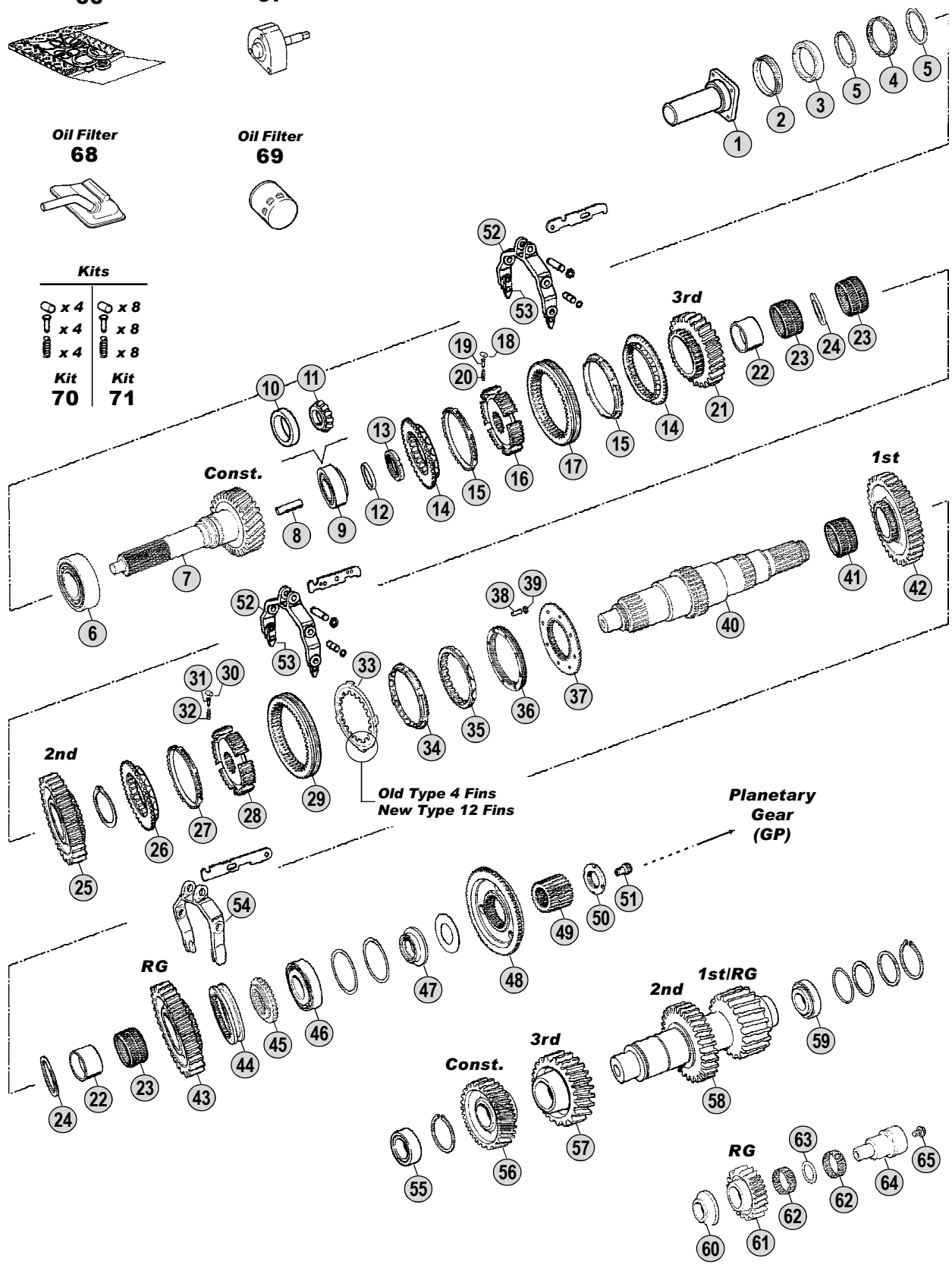


**Oil Filter 69**



**Kits**

x 4	x 8
x 4	x 8
x 4	x 8
<b>Kit 70</b>	<b>Kit 71</b>



**Models**

**Serie 3 - Serie 4 - Serie K (Buses) - Serie N (Buses)**

**G93 - P93 - R93 - T93 Bus K93CLB - K113CLB**

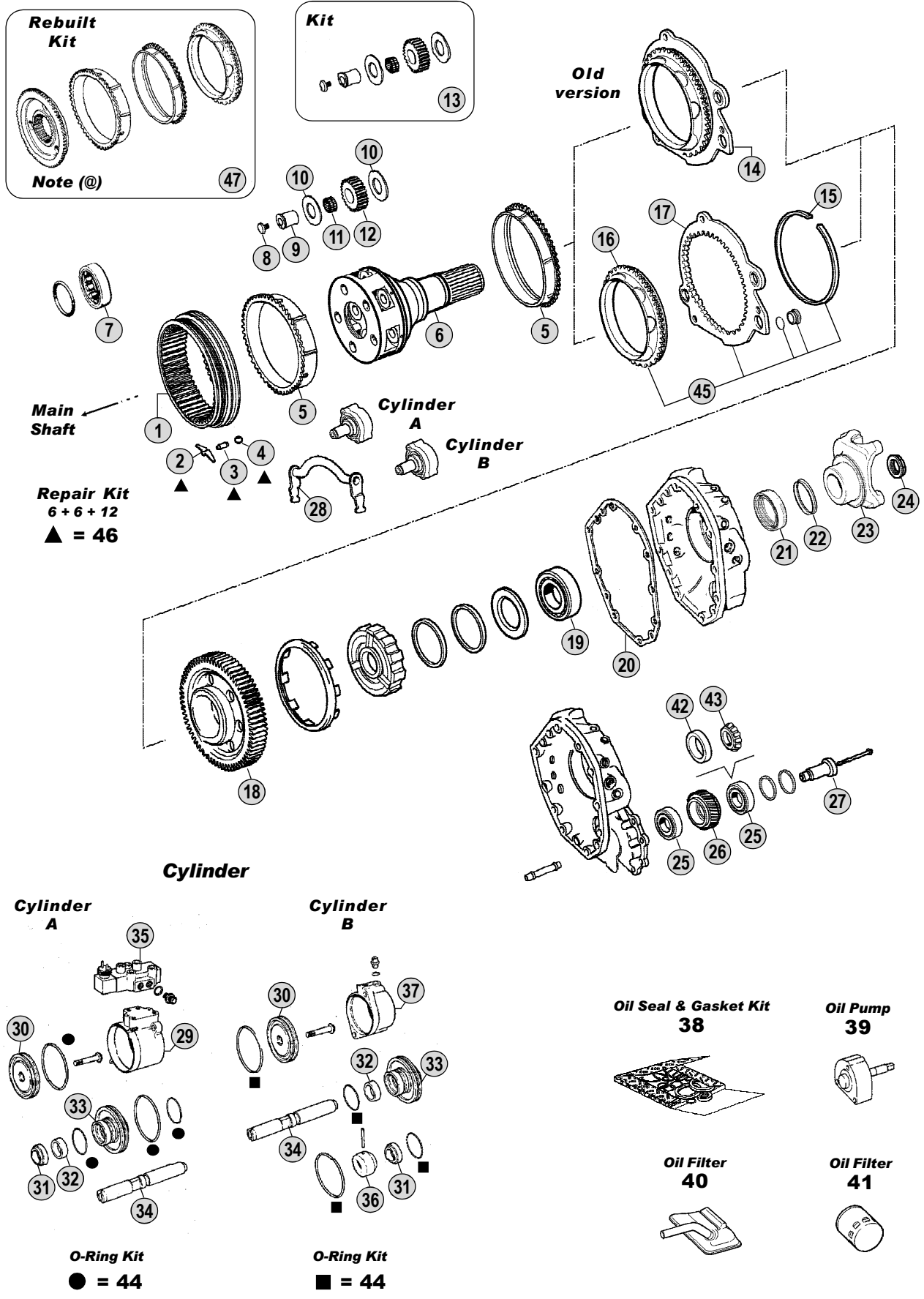
**94C - 94D - 94G - 94L Bus K94 - K114 Bus Serie K - Serie N**





Adattabile a : **SCANIA**  
Suitable To :

# GR801 - GR801R (W/Retarder)



Models

**Serie 3 - Serie 4 - Serie K (Buses) - Serie N (Buses)**

G93 - P93 - R93 - T93 Bus K93CLB - K113CLB

94C - 94D - 94G - 94L Bus K94 - K114 Bus Serie K - Serie N

Fig.	Rif. SCANIA	Description	Q.ty	Note	GR801	GR801R			
1	1118030	Crown Gear 66 T	1		●	●			
2	1395039	Spring	6		●	●			
3	1332508	Pin	6		●	●			
4	871702	Ball	12		●	●			
5	1395624	Synchronizer Ring	2	(*) Old Generation	●	●			
5	1770058	Synchronizer Ring	2	(*) New Generation	●	●			
5	1883363	Synchronizer Ring	2	(@) Latest Generation	●	●			
6	1318221	Planetary Carrier	1	Complete	●				
6	1318225	Planetary Carrier	1	Complete		●			
7	1300596	Bearing	1			●			
8	1318714	Screw	5		●	●			
9	1318713	Pin	5		●	●			
10	389419	Washer	10		●	●			
11	389434	Needle Bearing	5		●	●			
12	1373174	Planet Pinion 20 T	5		●	●			
13	CEI 198849	Repair kit	5		●	●			
14	1308176	Synchro Kit	1	(1) Old Type	●	●			
15	1302665	Snap Ring	1		●	●			
16	1323147	Synchronizer Cone	1	(*) Old Generation	●	●			
16	1788170	Synchronizer Cone	1	(*) New Generation	●	●			
16	1883350	Synchronizer Cone	1	(@) Latest Generation	●	●			
17	1323145	Saddle Plate	1		●	●			
18	1426758	Retarder Gear 70 T	1			●			
19	1783324	Bearing D.60x130x31	1		●	●			
20	1305139	Gasket	1		●	●			
21	1502384	Oil Seal 85x105x13	1		●	●			
22	1300977	Dust Cover	1		●	●			
23	1340753	Output Flange	1	P30/300	●	●			
23	1422427	Output Flange	1	P40/400	●	●			
23	1422430	Output Flange	1	P50/P500	●	●			
23	1319646	Output Flange	1	P60/P600	●	●			
23	1358431	Output Flange	1	with Voith Ret.	●				
24	1525988	Nut M44x1,5	1		●	●			
25	361043	Bearing 40x85x33	2	Oem Old Type		●			
25	361043	Bearing 40x85x33	2	A.Market Old Type		●			
26	1373704	Gear 34 T	1			●			
27	1304747	Pin	1			●			
28	1491403	Fork	1		●	●			
29	1484808	Cylinder	1		●	●			
30	1303960	Piston	2		●	●			
31	1515869	Oil Seal Ring 22X28X5/8	2		●	●			
32	1303799	Bush	2		●	●			
33	1321239	Intermediate Element	2		●	●			
34	1332131	Shaft	2		●	●			
35	1488083	Solenoid Valve	1		●	●			

**Notes**

- (1) Old version replaced by :  
 1 pc. **135.126** 1323145 Saddle Plate (Fig.17)  
 1 pc. **109.168** 1323147 Synchro Cone (Fig.16)  
 1 pc. **111.207** 1302665 Ring (Fig.15)  
 2 pc. 1305111 Ring + 2 pc. 1305109 Bush (Only in kit - See 198.916)  
 (\*) **Old and New Gen.** Can be replaced by Synchro rebuilt kit **298.188** (Fig. 47)  
 (@) **LATEST GENERATION.** To be coupled together.

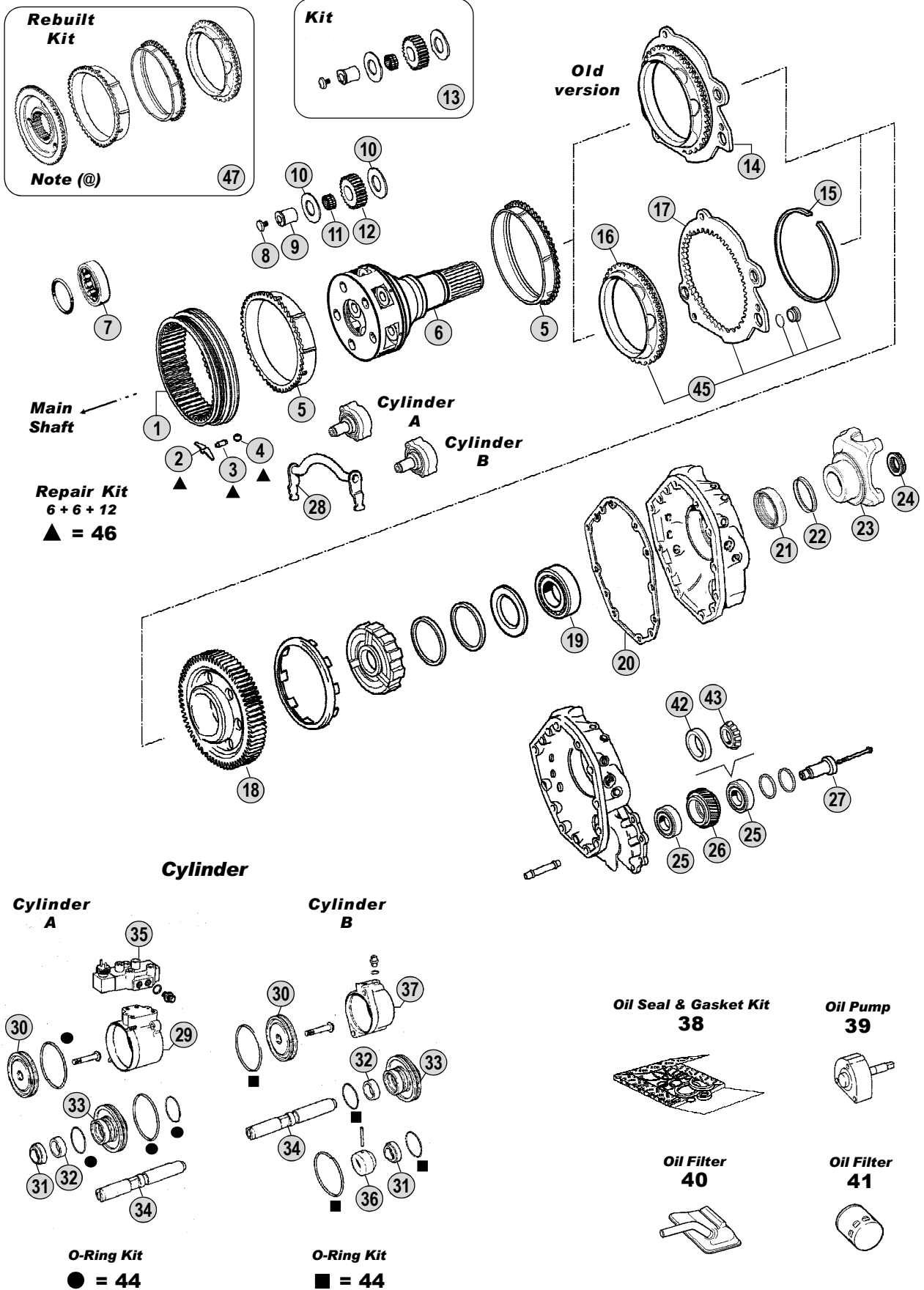
**Date**

05 / 2010

**Table****0075**

Adattabile a : **SCANIA**  
Suitable To :

# GR801 - GR801R (W/Retarder)



Models

**Serie 3 - Serie 4 - Serie K (Buses) - Serie N (Buses)**

G93 - P93 - R93 - T93 Bus K93CLB - K113CLB

94C - 94D - 94G - 94L Bus K94 - K114 Bus Serie K - Serie N

Fig.	Rif. SCANIA	Description	Q.ty	Note	GR801	GR801R			
36	1337828	Sleeve	1		●	●			
36	1382339	Sleeve	1		●	●			
37	1484809	Cylinder	1		●	●			
38	550578	Oil Seals and Gaskets Kit	1		●	●			
39	1426449	Oil Pump	1		●	●			
40	1307097	Oil Filter	1		●	●			
41	1768402	Oil Filter	1		●	●			
42	1548819	Bearing Cone 85 mm	2	Oem New Type		●			
42	1548819	Bearing Cone 85 mm	2	A.Market New Type		●			
43	1883975	Roller Bearing 40x30 mm	2	New Type		●			
44	CEI 198957	Cylinder O-Ring Kit	1	For one cylinder	●	●			
45	CEI 198916	Engaging Ring Kit	1	Assy	●	●			
46	CEI 298033	Repair Kit	1		●	●			
47	CEI 298188	Synchro Rebuilt Kit	1	(@)	●	●			

**Notes**  
 (1) Old version replaced by :  
 1 pc. **135.126** 1323145 Saddle Plate (Fig.17)  
 1 pc. **109.168** 1323147Synchro Cone (Fig.16)  
 1 pc. **111.207** 1302665 Ring (Fig.15)  
 2 pc. 1305111 Ring + 2 pc. 1305109 Bush (Only in kit - See 198.916)  
 (\*) **Old and New Gen.** Can be replaced by Synchro rebuilt kit **298.188** (Fig. 47)  
 (@) **LATEST GENERATION.** To be coupled together.

Date

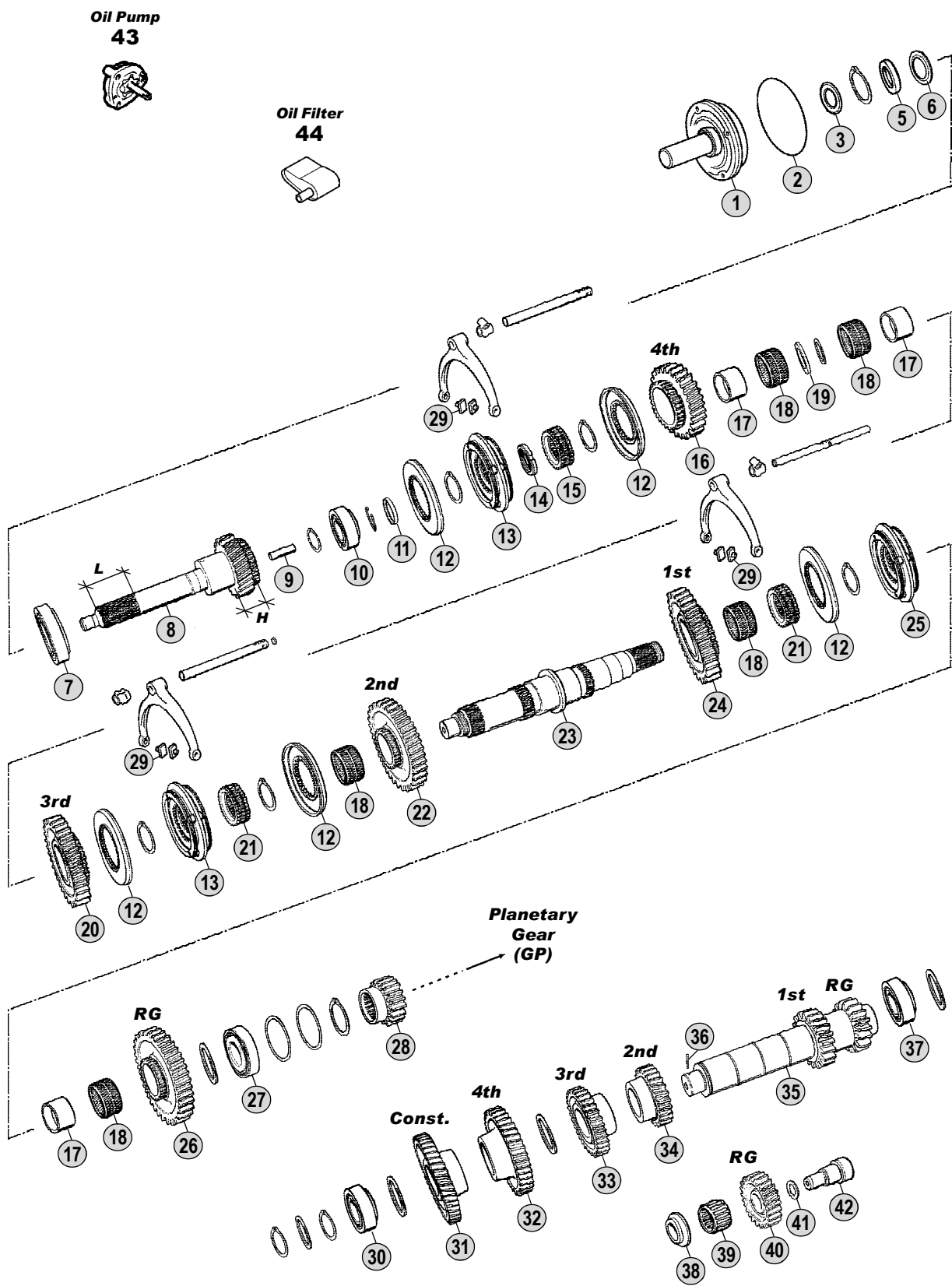
05 / 2010

Table

**0075**

Adattabile a : **SCANIA**  
Suitable To :

Modelli Cambio/ Gearbox Models  
**GR860 - GRE860**



Models

**Serie 1**

LB/LBS/LBT**110**(H) - LB/LBS/LBT**111**(H)  
 LB/LBS/LBT**140**(H) - LB/LBS/LBT**141**(H) - LT**146**

Fig.	Rif. SCANIA	Description	Q.ty	Note				
					GR860	GRE860		
1	224424	Front Cover	1	w/clutch K364-1	●	●		
1	224425	Front Cover	1	w/clutch K422-3/4	●	●		
2	194414	O Ring 203x3 mm	1		●	●		
3	388528	Oil Seal Ring D.45x65x9	1		●	●		
5	224455	Spacer	1		●	●		
6	194385	Oil Deflector	1		●	●		
7	194408	Bearing 65x160x37	1		●	●		
8	234908	Input Shaft 23 T	1	L=100/H=31,5mm	●			
8	244708	Input Shaft 23 T	1			●		
9	315060	Oil tube	1		●	●		
10	194411	Bearing 35x80x31	1		●	●		
11	234723	Ring	1		●	●		
12	325113	Synchronizer Cone	5		●	●		
13	244990	Synchronizer Assy.	2		●	●		
14	194484	Nut M50x1,5	1		●	●		
15	224086	Synchronizer Hub	1		●	●		
16	234909	Gear 4th Speed 27 T	1		●	●		
17	194376	Bush	3		●	●		
18	194413	Needle Cage D.70x78x46	5		●	●		
19	194377	Spacer	1		●	●		
20	234910	Gear 3rd Speed 30 T	1		●	●		
21	224087	Guide Sleeve	2		●	●		
22	234911	Gear 2nd Speed 32 T	1		●	●		
23	234767	Main Shaft	1		●	●		
24	234912	Gear 1st Speed 34 T	1		●	●		
25	244991	Synchronizer Assy.	1		●	●		
26	194327	Reverse Gear 25 T	1		●	●		
27	304670	Bearing 70x150x35	1		●	●		
28	234768	Sun Gear 17 T	1		●	●		
29	244090	Slide	6		●	●		
30	284048	Bearing	1		●	●		
31	194331	Gear 5th Speed 41 T	1		●	●		
32	341407	Gear 4th Speed 36 T	1		●	●		
33	294425	Gear 3rd Speed 30 T	1		●	●		
34	194337	Gear 2nd Speed 24 T	1		●	●		
35	234869	Countershaft 17/19 T	1		●	●		
36	224914	Pin	1		●	●		
37	194412	Bearing 65x120x23	1		●	●		
38	194798	Washer	1		●	●		
39	174371	Needle Cage D.38x50x32,8	1		●	●		
40	194329	Reverse Gear	1		●	●		
41	194400	Spacer Ring	1		●	●		
42	358046	Reverse Pin	1		●	●		
43	194838	Oil Pump	1		●	●		
44	224367	Oil Filter	1		●	●		

Notes

Date

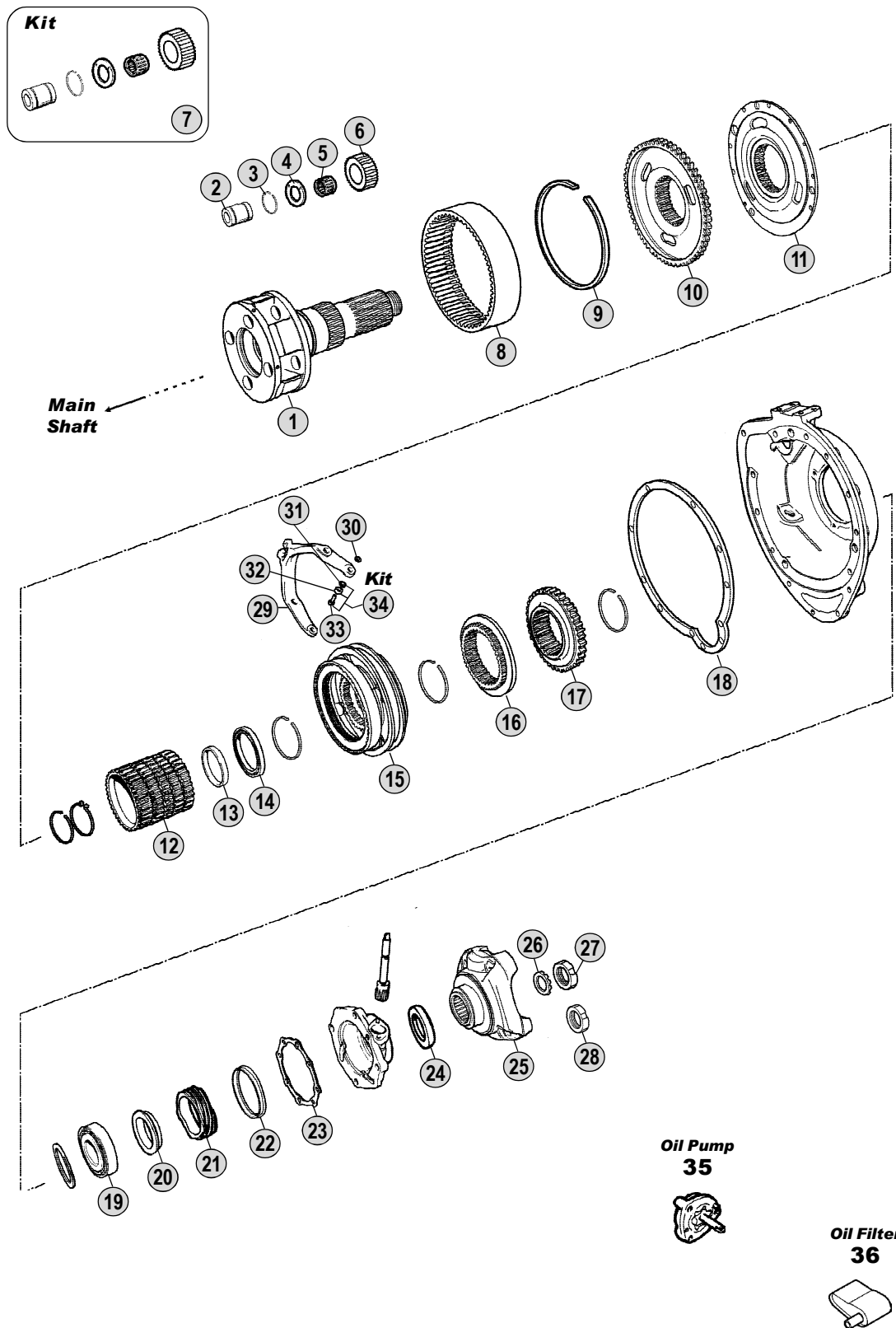
05 / 2010

Table

0080

Adattabile a : **SCANIA**  
Suitable To :

Modelli Cambio/ Gearbox Models  
**GR860 - GRE860**



Models

**Serie 1**

LB/LBS/LBT**110**(H) - LB/LBS/LBT**111**(H)  
LB/LBS/LBT**140**(H) - LB/LBS/LBT**141**(H) - LT**146**



Fig.	Rif. SCANIA	Description	Q.ty	Note	GR860		GRE860			
1	1101005	Planetary Carrier	1	(1)	●	●				
2	234184	Planetary Pin	4		●	●				
3	234193	Snap Ring	8		●	●				
4	254669	Thrust Washer	8		●	●				
5	194381	Needle Cage D.49x65x38	4		●	●				
6	358360	Side Pinion 19 T	4		●	●				
7	CEI 198577	Repair Kit	4		●	●				
8	194349	Crown Gear 55 T	1		●	●				
9	194417	Retainer Ring	1	(A)	●	●				
9	284444	Retainer Ring	1	(B)	●	●				
10	244587	Carrier Hub	1	(A)	●	●				
10	338867	Carrier Hub	1	(B)	●	●				
11	1103707	Carrier Hub	1	(5)	●	●				
12	284675	Guide Sleeve	1		●	●				
13	244537	Ring	1		●	●				
14	244610	Bearing 75x95x10	1		●	●				
15	244622	Synchronizer Assy.	1		●	●				
16	333547	Synchronizer Cone	1		●	●				
17	1114838	Hub	1		●	●				
18	387300	Gasket	1		●	●				
19	194508	Bearing 75x130x25	1		●	●				
20	254014	Washer	1		●	●				
21	174806	Speedometer Gear	1		●	●				
22	1307760	Dust Cover	1		●	●				
23	387302	Gasket	1		●	●				
24	1335243	Oil Seal Ring D.80x100x10 (Green)	1	(2) Old Style (Green)	●	●				
24	338643	Oil Seal Ring (Brown)	1	(2) New Style (Brown)	●	●				
24	214008	Oil Seal Ring	1	(3)	●	●				
25	169133	Output Flange	1	T-TA 60	●	●				
25	208513	Output Flange	1	T-TA 70	●	●				
26	184055	Washer	1	(4) First Execution	●	●				
27	184054	Grooved Nut M50x1,5	1	(4) First Execution	●	●				
28	1525988	Nut M44x1,5	1		●	●				
29	244623	Fork	1		●	●				
30	804768	Lock Ring	2		●	●				
31	214075	Spacer	2		●	●				
32	244437	Needle Bearing	2		●	●				
33	234017	Pin	2		●	●				
34	CEI 198638	Fork Repair Kit	1	2 pcs.fig.31+32+33	●	●				
35	194838	Oil Pump	1		●	●				
36	224367	Oil Filter	1		●	●				

**Notes**

- (A) Old Style. This version **can be replaced** by 1 pc. 284444 + 1 pc. 338867. (B) **New Style**  
 (1) Old planetary carrier **332629** (and previous versions) **are fit for old style nut M50x1,5** (fig.27)  
 (2) Only with **T/TA 60** (3) Only with **T/TA 70**  
 (4) **Old style nut** . To be **used only** with old version of planetary carrier (**332629** and previous ones)  
 (5) **1103707** new version with oil collectors **replacing** old version **194399** **without oil collectors**.  
**For GR860** assembling of oil collectors **is not required**.

**Date**

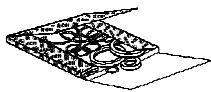
05 / 2010

**Table****0085**

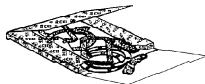
Adattabile a : **SCANIA**  
Suitable To :

Modelli Cambio/ Gearbox Models  
**GR870(T) - GRE870(T)**

**Oil Seal Kit  
41**



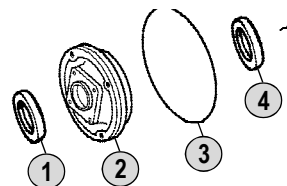
**Gasket Kit  
42**



**Oil Pump  
43**



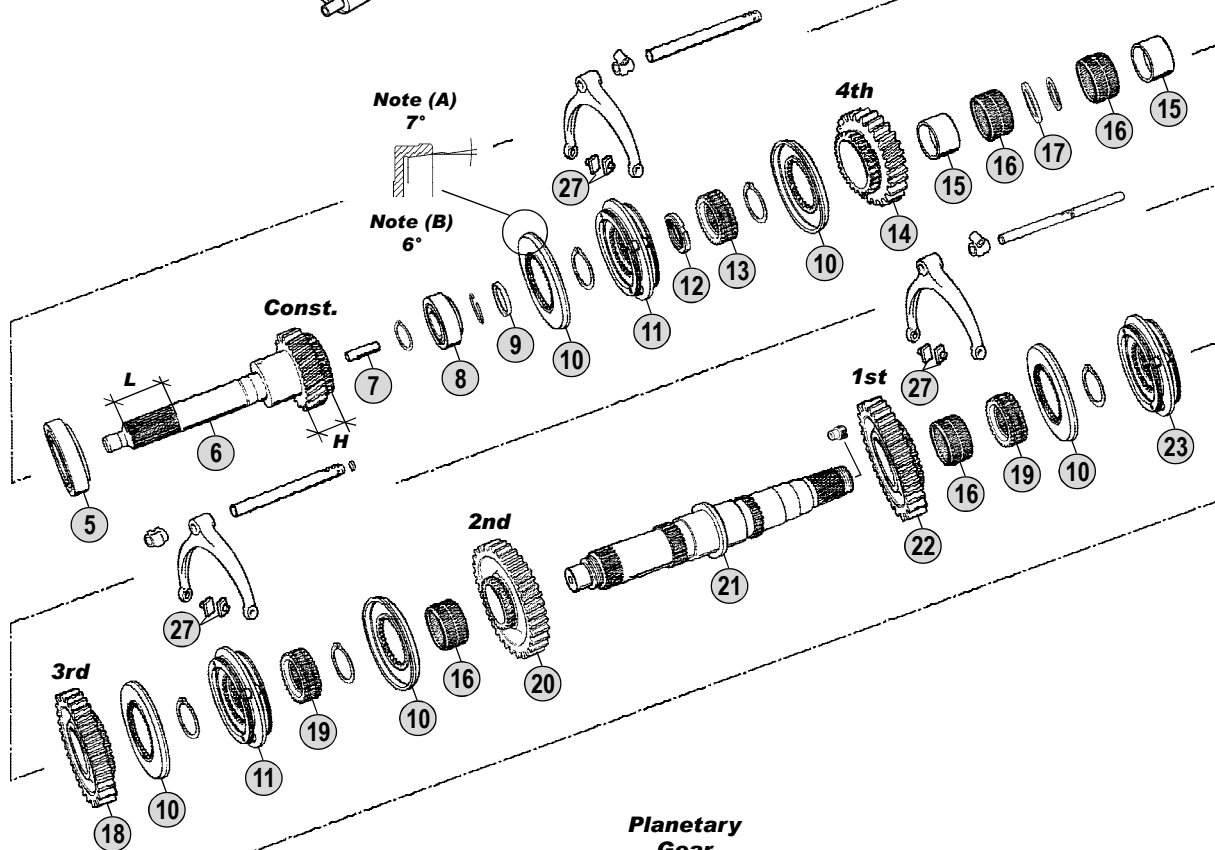
**Oil Filter  
44**



**Note (A)  
7°**

**Note (B)  
6°**

**Const.**



Models

**Serie 1 - Serie 2**

LB/LBS/LBT111(H) - LB/LBS/LBT141(H) - LT146

G82 - P82 - G112 - P112 - R112 - T112 - R142 - T142

Fig.	Rif. SCANIA	Description	Q.ty	Note				
					GR870	GR870T	GRE870	GRE870T
1	315270	V-Ring	1		●	●	●	●
2	315002	Front Cover	1		●	●	●	●
3	194414	O Ring 203x3 mm	1		●	●	●	●
4	388528	Oil Seal Ring D.45x65x9	1		●	●	●	●
5	1121538	Bearing 76,22x139,7x36	1		●	●	●	●
6	294903	Input Shaft 23 T	1	(1) L=73/H=32,7 mm	●	●		
6	294904	Input Shaft 23 T	1	(2) L=98/H=32,7 mm	●	●		
6	315292	Input Shaft 23 T	1				●	●
7	315060	Oil tube	1		●	●	●	●
8	284843	Bearing 40x80x32	1		●	●	●	●
9	315022	Ring	1		●	●	●	●
10	325113	Synchronizer Cone	5	(A)	●	●	●	●
10	332118	Synchronizer Cone	5	(B)	●	●	●	●
11	244990	Synchronizer Assy.	2	(A)	●	●	●	●
11	328117	Synchronizer Assy.	2	(B)	●	●	●	●
12	194484	Nut M50x1,5	1		●	●	●	●
13	224086	Synchronizer Hub	1		●	●	●	●
14	234909	Gear 4th Speed 27 T	1		●	●	●	●
15	194376	Bush	3		●	●	●	●
16	194413	Needle Cage D.70x78x46	5		●	●	●	●
17	264225	Ring	1		●	●	●	●
18	234910	Gear 3rd Speed 30 T	1		●	●	●	●
19	224087	Guide Sleeve	2		●	●	●	●
20	234911	Gear 2nd Speed 32 T	1		●	●	●	●
21	331880	Main Shaft	1		●	●	●	●
22	234912	Gear 1st Speed 34 T	1	(A)	●	●	●	●
22	324139	Gear 1st Speed 34 T	1	(B)	●	●	●	●
23	244991	Synchronizer Assy.	1	(A)	●	●	●	●
23	330192	Synchronizer Assy.	1	(B)	●	●	●	●
24	194327	Reverse Gear 25 T	1		●	●	●	●
25	284997	Bearing 57x119,9x32,7	1		●	●	●	●
26	339800	Sun Gear 17 T	1		●	●	●	●
27	244090	Slide	6		●	●	●	●
28	317350	Bearing 50x90x28	1		●	●	●	●
29	274521	Constant Gear 41 T	1		●	●	●	●
30	341407	Gear 4th Speed 36 T	1		●	●	●	●
31	294425	Gear 3rd Speed 30 T	1		●	●	●	●
32	194337	Gear 2nd Speed 24 T	1		●	●	●	●
33	1117288	Countershaft 19/17 T	1		●	●	●	●
34	340430	Pin	1		●	●	●	●
35	284992	Bearing 69,8x120x29,8	1		●	●	●	●
36	194798	Washer	1		●	●	●	●
37	174371	Needle Cage D.38x50x32,8	1		●	●	●	●
38	194329	Reverse Gear	1		●	●	●	●
39	194400	Spacer Ring	1		●	●	●	●

**Notes**

- (A) Use items marked (A) together (B) Use items marked (B) together  
 (1) With **Single Plate** disk clutch (2) With **Double Plate** disk clutch  
 (3) Containing 1 pc. **194414** Size **203x3** (Fig.4) (4) Containing 1 pc. **1309563** Size **203x5**  
 (5) **Same composition as 550527** with the addition of : **804723** (Countershaft retainer ring) / **315022** (Input shaft retainer ring) / **164061** (Side gasket)

**Date**

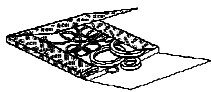
05/ 2010

**Table****0090**

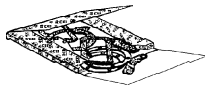
Adattabile a : **SCANIA**  
Suitable To :

# GR870(T) - GRE870(T)

**Oil Seal Kit  
41**



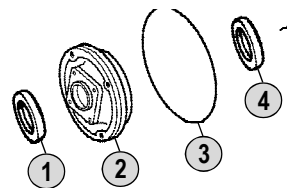
**Gasket Kit  
42**



**Oil Pump  
43**



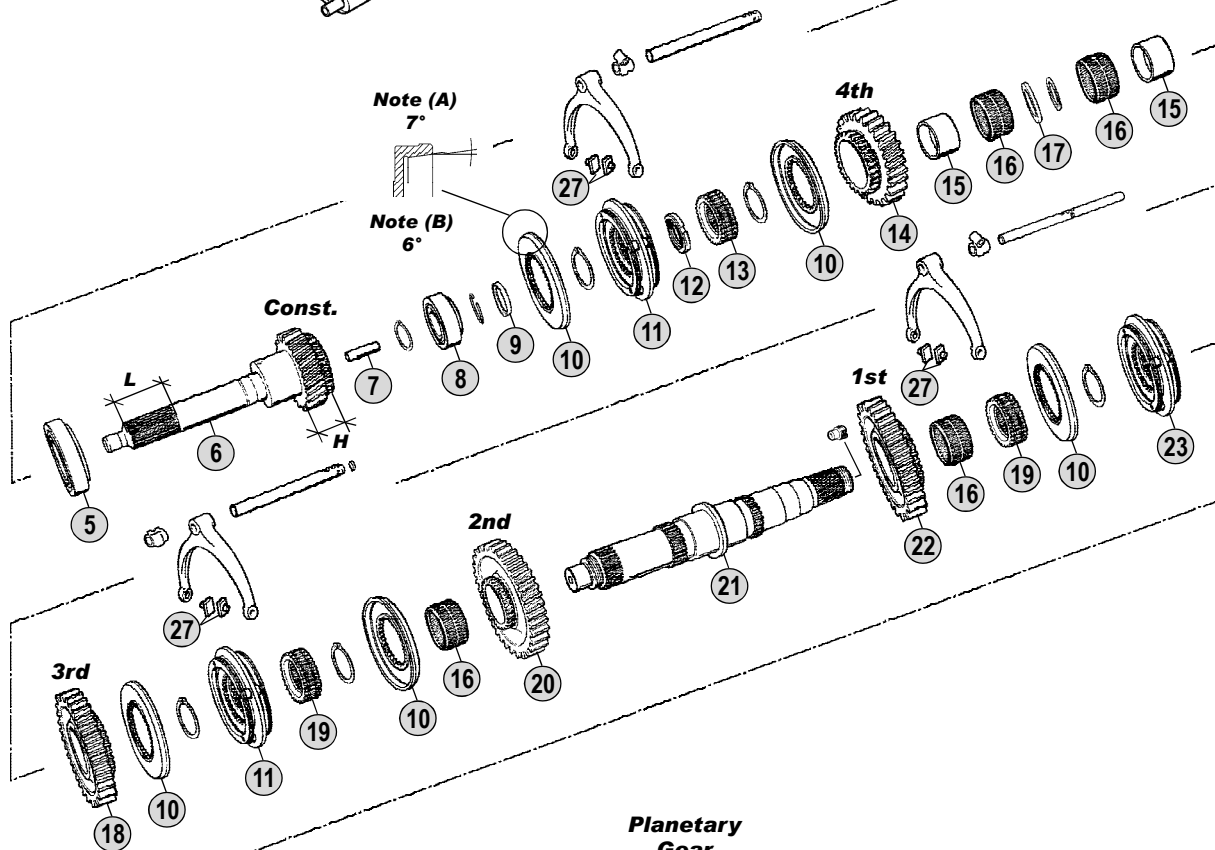
**Oil Filter  
44**



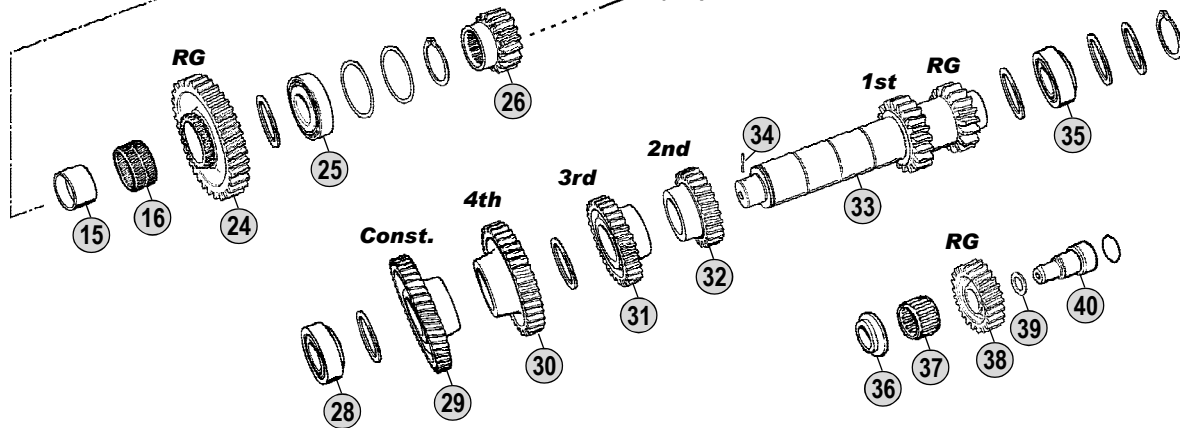
**Note (A)  
7°**

**Note (B)  
6°**

**Const.**



**Planetary  
Gear  
(GP)**



**Models**

### Serie 1 - Serie 2

LB/LBS/LBT111(H) - LB/LBS/LBT141(H) - LT146

G82 - P82 - G112 - P112 - R112 - T112 - R142 - T142

Fig.	Rif. SCANIA	Description	Q.ty	Note					
						GR870	GR870T	GRE870	GRE870T
40	358046	Reverse Pin	1		•	•	•	•	
41	550520	Oil Seals Kit	1	(3)	•	•	•	•	
41	550537	Oil Seals Kit	1	(4)	•	•	•	•	
42	550527	Gasket Kit	1		•	•	•	•	
42	550534	Gasket Kit	1	(5)	•	•	•	•	
43	194838	Oil Pump	1		•	•	•	•	
44	224367	Oil Filter	1		•	•	•	•	

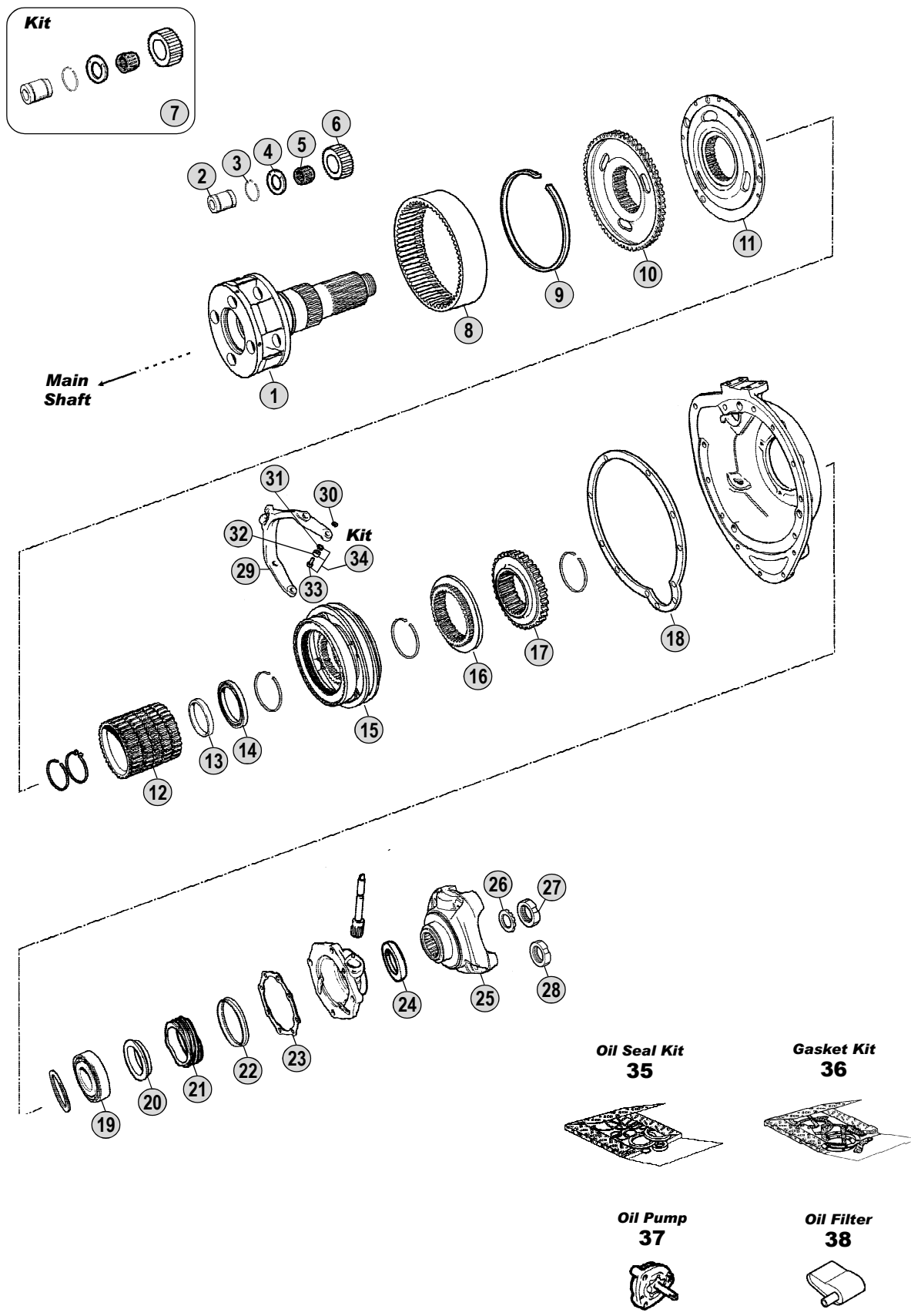
**Notes**  
 (A) Use items marked **(A)** together  
 (1) With **Single Plate** disk clutch  
 (3) Containing 1 pc. **194414** Size **203x3** (Fig.4)  
 (5) **Same composition as 550527** with the addition of : **804723** (Countershaft retainer ring) / **315022** (Input shaft retainer ring) / **164061** (Side gasket)  
 (B) Use items marked **(B)** together  
 (2) With **Double Plate** disk clutch  
 (4) Containing 1 pc. **1309563** Size **203x5**

**Date**  
 05/ 2010

**Table**  
**0090**

Adattabile a : **SCANIA**  
Suitable To :

Modelli Cambio/ Gearbox Models  
**GR870(T) - GRE870(T)**



Models

**Serie 1 - Serie 2**

LB/LBS/LBT111(H) - LB/LBS/LBT141(H) - LT146

G82 - P82 - G112 - P112 - R112 - T112 - R142 - T142

Fig.	Rif. SCANIA	Description	Q.ty	Note				
					GR870	GR870T	GRE870	GRE870T
1	1101005	Planetary Carrier	1	(1)	●	●	●	●
2	234184	Planetary Pin	4		●	●	●	●
3	234193	Snap Ring	8		●	●	●	●
4	254669	Thrust Washer	8		●	●	●	●
5	194381	Needle Cage D.49x65x38	4		●	●	●	●
6	358360	Side Pinion 19 T	4		●	●	●	●
7	CEI 198577	Repair Kit	4		●	●	●	●
8	194349	Crown Gear 55 T	1		●	●	●	●
9	284444	Retainer Ring	1		●	●	●	●
10	338867	Carrier Hub	1		●	●	●	●
11	1103707	Carrier Hub	1	(2)	●	●	●	●
12	284675	Guide Sleeve	1		●	●	●	●
13	244537	Ring	1		●	●	●	●
14	244610	Bearing 75x95x10	1		●	●	●	●
15	244622	Synchronizer Assy.	1		●	●	●	●
16	333547	Synchronizer Cone	1		●	●	●	●
17	1114838	Hub	1		●	●	●	●
18	387300	Gasket	1		●	●	●	●
19	194508	Bearing 75x130x25	1		●	●	●	●
20	315977	Spacer	1		●	●	●	●
21	174806	Speedometer Gear	1		●	●	●	●
22	1307760	Dust Cover	1		●	●	●	●
23	387302	Gasket	1		●	●	●	●
24	1335243	Oil Seal Ring D.80x100x10 (Green)	1	(3) Old Style (Green)	●	●	●	●
24	338643	Oil Seal Ring (Brown)	1	(3) New Style (Brown)	●	●	●	●
24	214008	Oil Seal Ring	1	(4)	●	●	●	●
25	169133	Output Flange	1	T-TA 60	●	●	●	●
25	208513	Output Flange	1	T-TA 70	●	●	●	●
25	315548	Output Flange	1	(5) P/PF40	●	●	●	●
25	338234	Output Flange	1	(6) P/PF40	●	●	●	●
25	315549	Output Flange	1	(5) P/PF50	●	●	●	●
25	338235	Output Flange	1	(6) P/PF50	●	●	●	●
26	184055	Washer	1	(7) First Execution	●	●	●	●
27	184054	Grooved Nut M50x1,5	1	(7) First Execution	●	●	●	●
28	1525988	Nut M44x1,5	1		●	●	●	●
29	244623	Fork	1		●	●	●	●
30	804768	Lock Ring	2		●	●	●	●
31	214075	Spacer	2		●	●	●	●
32	244437	Needle Bearing	2		●	●	●	●
33	234017	Pin	2		●	●	●	●
34	CEI 198638	Fork Repair Kit	1	2 pcs.fig.31+32+33	●	●	●	●
35	550520	Oil Seals Kit	1	(8)	●	●	●	●
35	550537	Oil Seals Kit	1	(9)	●	●	●	●
36	550527	Gasket Kit	1		●	●	●	●
36	550534	Gasket Kit	1	(10)	●	●	●	●

## Notes

- (1) Old planetary carrier 332629 (and previous versions) are fit for old style nut M50x1,5 (fig.27)  
(2) 1103707 new version w/oil collect. replacing old 194399 w/out oil collect. For GR870 oil collector is not required.  
(3) Only with T/TA 60 - P/PF 40/50 (4) Only with T/TA70  
(5) Old Type with spider straight housing (0°) (6) New Type with spider elical housing (4,5°)  
(7) Old style nut . To be used only with old version of planetary carrier (332629 and previous ones)  
(8) Containing 1 pc. 194414 Size 203x3 (9) Containing 1 pc. 1309563 Size 203x5  
(10) Same composition as 550527 with the addition of: 804723 (Countershaft Ring) / 315022 (Input shaft Ring) / 164061 (Side gasket)

## Date

05 / 2010

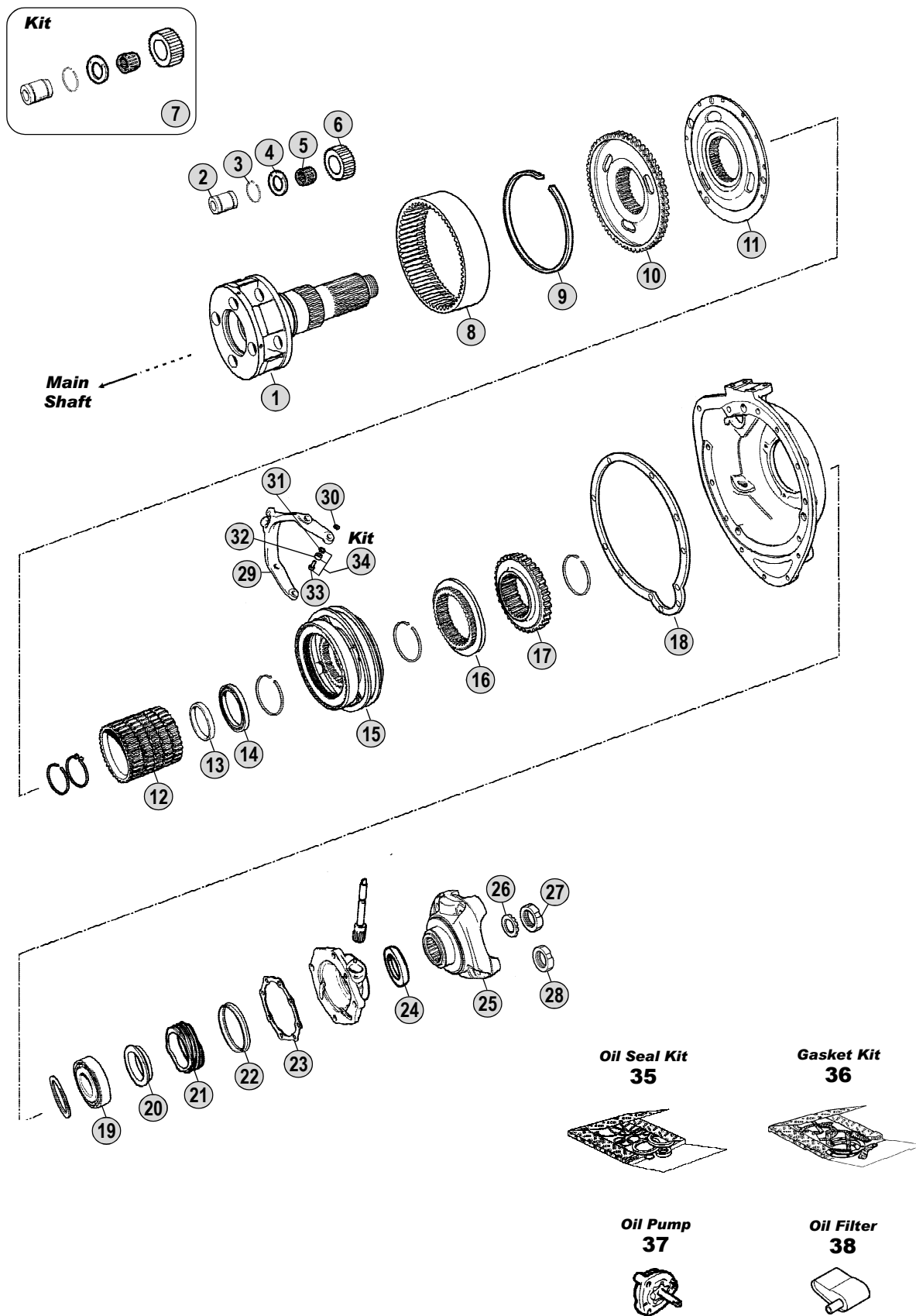
## Table

0095



Adattabile a : **SCANIA**  
 Suitable To :

Modelli Cambio/ Gearbox Models  
**GR870(T) - GRE870(T)**



Models

**Serie 1 - Serie 2**

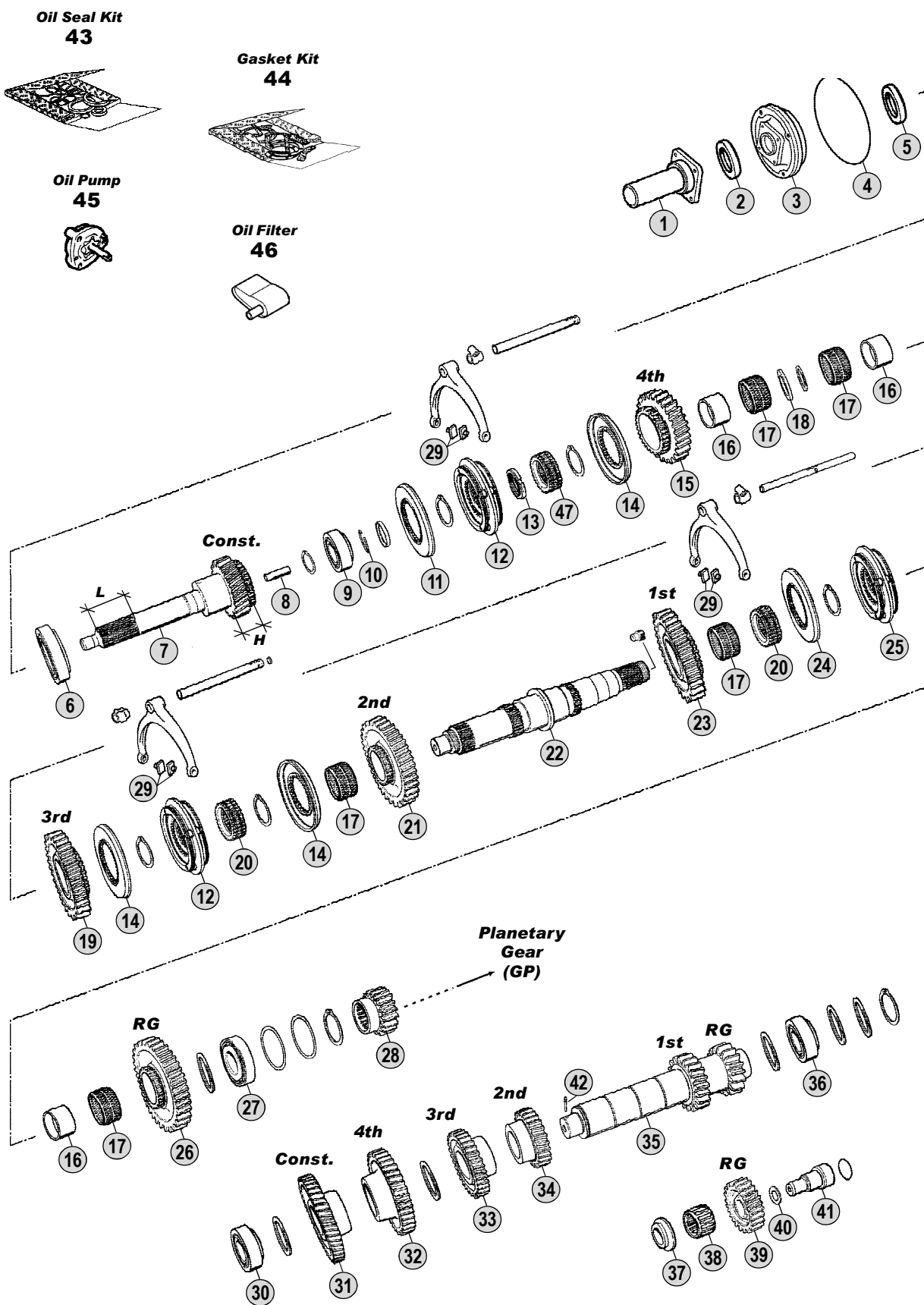
LB/LBS/LBT111(H) - LB/LBS/LBT141(H) - LT146

G82 - P82 - G112 - P112 - R112 - T112 - R142 - T142



Adattabile a : **SCANIA**  
 Suitable To :

Modelli Cambio/ Gearbox Models  
**GR871(T) - GRE871T**



Models

**Serie 2 - Serie 3**

G82 - P82 - G92 - P92 - R92 - G112 - P112 - R112 - T112 - R142 - T142  
 G93 - P93 - P93HK - R93 - T93 - P113 - P113HK - R113 - T113

Fig.	Rif. SCANIA	Description	Q.ty	Note					
					GR871	GR871T	GRE871T		
1	1103619	Front Cover	1		●	●	●		
2	315270	V-Ring	1		●	●	●		
3	334389	Front Cover	1	Up to 6395159	●	●	●		
3	1312886	Front Cover	1	From 6395159	●	●	●		
4	194414	O Ring 203x3 mm	1		●	●	●		
5	388528	Oil Seal Ring D.45x65x9	1		●	●	●		
6	1121538	Bearing 76,22x139,7x36	1		●	●	●		
7	294903	Input Shaft 23 T	1	(A)(1) L=73/H=32,7mm	●	●			
7	294904	Input Shaft 23 T	1	(A)(2) L=98/H=32,7mm	●	●			
7	391249	Input Shaft 23 T	1	(B)(2) L=98/H=35,0mm	●	●			
7	315292	Input Shaft 23 T	1	(A)				●	
7	392978	Input Shaft 23 T	1	(B)				●	
8	315060	Oil tube	1		●	●	●		
9	284843	Bearing 40x80x32	1		●	●	●		
10	315022	Ring	1		●	●	●		
11	325113	Synchronizer Cone	1	(A)	●	●	●		
11	374746	Synchronizer Cone	1	(B)	●	●	●		
12	244990	Synchronizer Assy.	2		●	●	●		
13	194484	Nut M50x1,5	1		●	●	●		
14	325113	Synchronizer Cone	3		●	●	●		
15	234909	Gear 4th Speed 27 T	1		●	●	●		
16	194376	Bush	3		●	●	●		
17	194413	Needle Cage D.70x78x46	5		●	●	●		
18	264225	Ring	1		●	●	●		
19	234910	Gear 3rd Speed 30 T	1		●	●	●		
20	224087	Guide Sleeve	2		●	●	●		
21	323836	Gear 2nd Speed 32 T	1		●	●	●		
22	331880	Main Shaft	1	(3)	●	●	●		
22	1333269	Main Shaft	1	(4)	●	●	●		
23	324139	Gear 1st Speed 34 T	1		●	●	●		
24	332118	Synchronizer Cone	1		●	●	●		
25	338706	Synchronizer Assy.	1		●	●	●		
26	381084	Reverse Gear 31 T	1		●	●	●		
27	284997	Bearing 57x119,9x32,7	1		●	●	●		
28	339800	Sun Gear 17 T	1	(3)	●	●	●		
28	1333270	Sun Gear 17 T	1	(4)	●	●	●		
29	244090	Slide	6		●	●	●		
30	317350	Bearing 50x90x28	1		●	●	●		
31	274521	Constant Gear 41 T	1	(A)	●	●	●		
31	391246	Constant Gear 41 T	1	(B)	●	●	●		
32	341407	Gear 4th Speed 36 T	1		●	●	●		
33	294425	Gear 3rd Speed 30 T	1		●	●	●		
34	194337	Gear 2nd Speed 24 T	1		●	●	●		
35	1117288	Countershaft 19/17 T	1		●	●	●		
36	284992	Bearing 69,8x120x29,8	1		●	●	●		

**Notes**

- (A) Use items marked (A) together (B) Use items marked (B) together  
 (1) With **Single Plate** disk clutch (2) With **Double Plate** disk clutch  
 (3) **Old style Mainshaft.** This Old type can use both Old (339800) and New (1333270) style sun gear  
 (4) **New style Mainshaft.** This New type can use Only New style sun gear (1333270)  
 (5) Containing 1 pc. 194414 Size 203x3 (Fig.4) (6) Containing 1 pc. 1309563 Size 203x5 (Fig.4)  
 (7) **Same composition as 550527** with the addition of : 804723 (Countershaft retainer ring) / 315022 (Input shaft retainer ring) / 164061 (Side gasket)

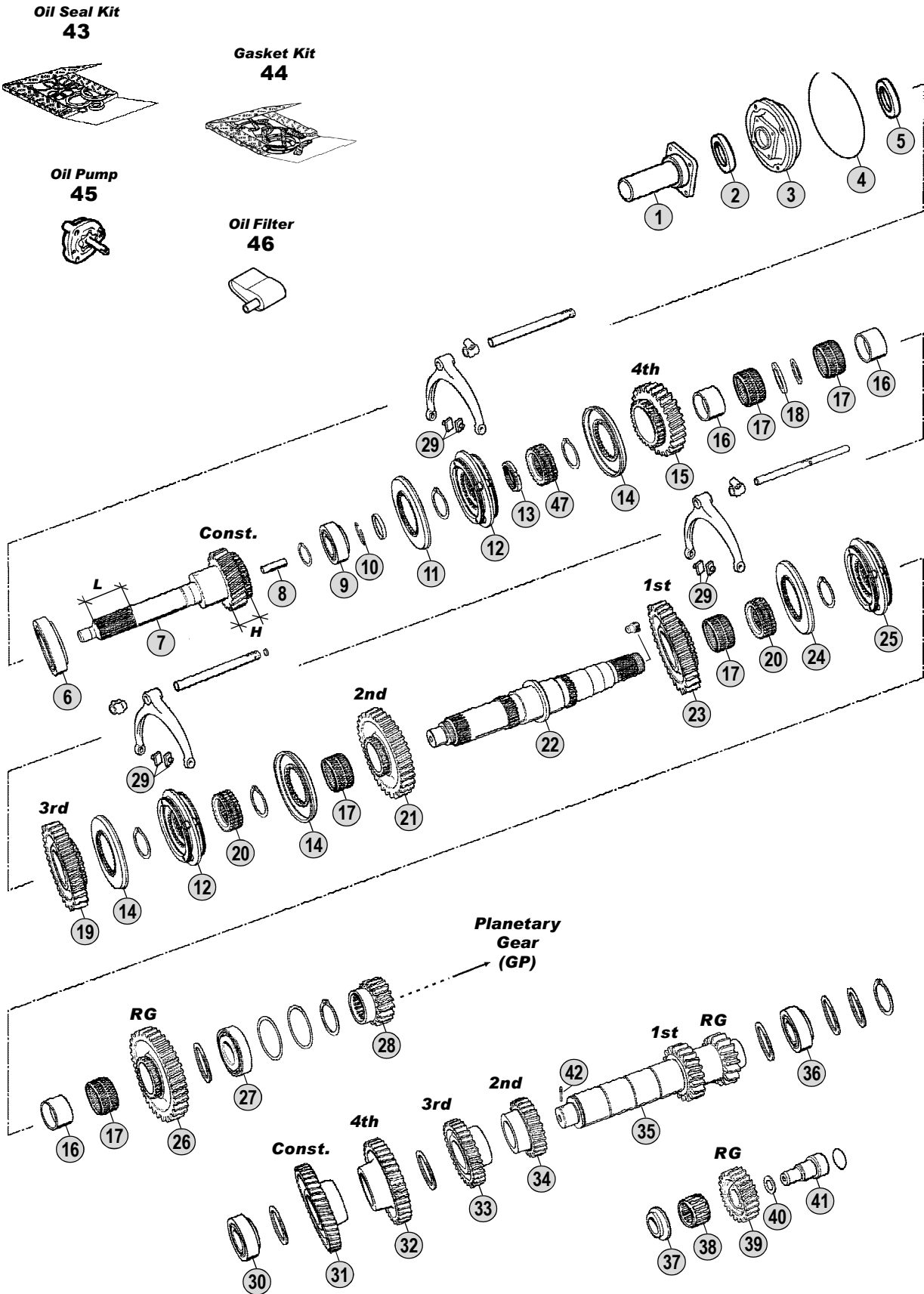
**Date**

05 / 2010

**Table****0100**

Adattabile a : **SCANIA**  
Suitable To :

Modelli Cambio/ Gearbox Models  
**GR871(T) - GRE871T**



Models

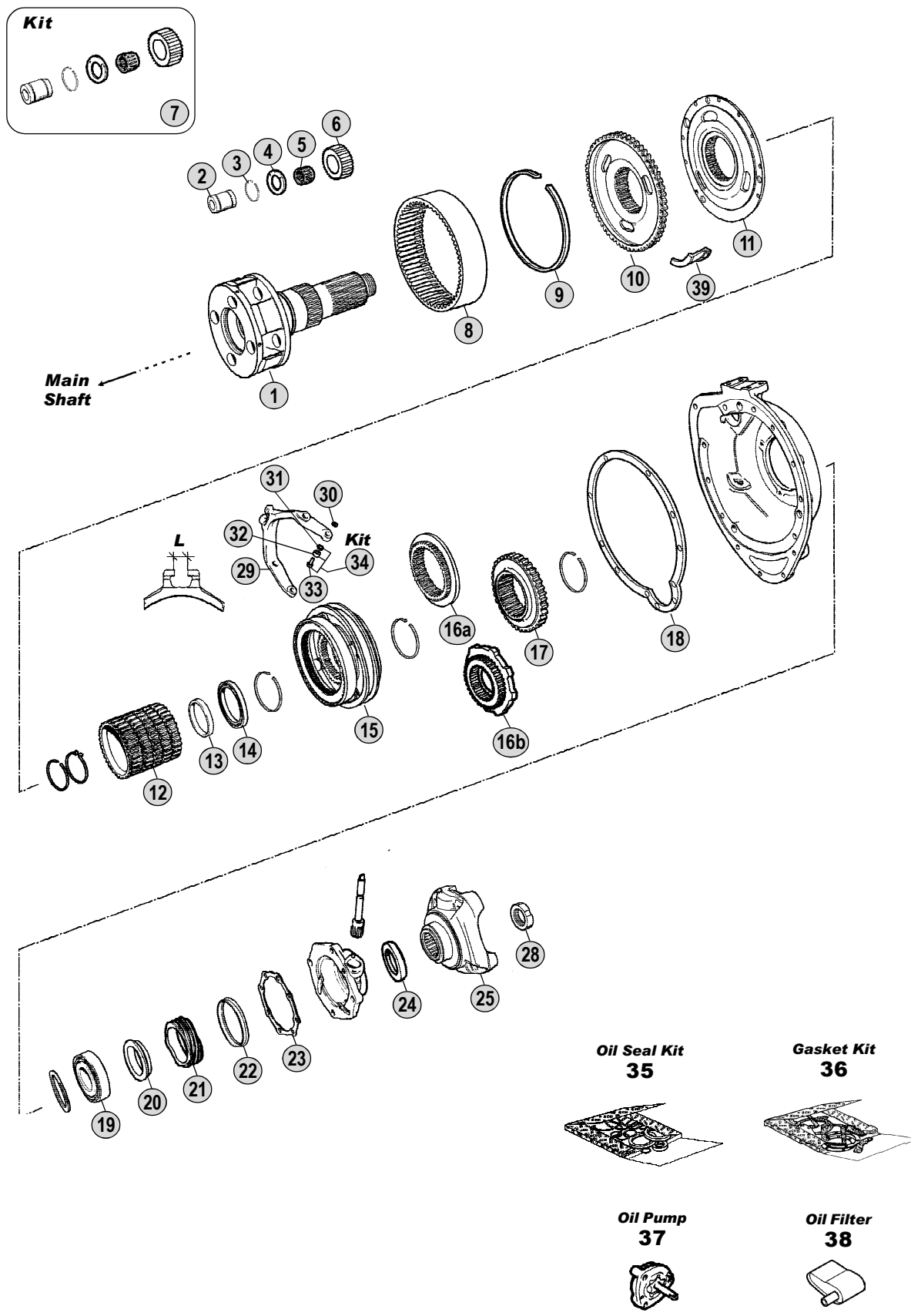
**Serie 2 - Serie 3**

**G82 - P82 - G92 - P92 - R92 - G112 - P112 - R112 - T112 - R142 - T142**  
**G93 - P93 - P93HK - R93 - T93 - P113 - P113HK - R113 - T113**



Adattabile a : **SCANIA**  
Suitable To :

Modelli Cambio/ Gearbox Models  
**GR871(T) - GRE871T**



Models

**Serie 2 - Serie 3**

**G82 - P82 - G92 - P92 - R92 - G112 - P112 - R112 - T112 - R142 - T142**  
**G93 - P93 - P93HK - R93 - T93 - P113 - P113HK - R113 - T113**



Fig.	Rif. SCANIA	Description	Q.ty	Note					
					GR871	GR871T	GRE871T		
1	1101005	Planetary Carrier	1		●	●	●		
2	234184	Planetary Pin	4		●	●	●		
3	234193	Snap Ring	8		●	●	●		
4	254669	Thrust Washer	8		●	●	●		
5	194381	Needle Cage D.49x65x38	4		●	●	●		
6	358360	Side Pinion 19 T	4		●	●	●		
7	JEI 198577	Repair Kit	4		●	●	●		
8	194349	Crown Gear 55 T	1		●	●	●		
9	284444	Retainer Ring	1		●	●	●		
10	338867	Carrier Hub	1		●	●	●		
11	1103707	Carrier Hub	1		●	●	●		
12	284675	Guide Sleeve	1		●	●	●		
13	244537	Ring	1		●	●	●		
14	244610	Bearing 75x95x10	1		●	●	●		
15	244622	Synchronizer Assy.	1		●	●	●		
16A	333547	Synchronizer Cone	1	Up to 6399321	●	●	●		
16B	360627	Synchronizer Cone	1	From 6399322	●	●	●		
17	1114838	Hub	1		●	●	●		
18	387300	Gasket	1		●	●	●		
19	194508	Bearing 75x130x25	1		●	●	●		
20	315977	Spacer	1		●	●	●		
21	174806	Speedometer Gear	1		●	●	●		
22	1307760	Dust Cover	1		●	●	●		
23	387302	Gasket	1		●	●	●		
24	1335243	Oil Seal Ring D.80x100x10 (Green)	1	Old Style (Green)	●	●	●		
24	338643	Oil Seal Ring (Brown)	1	New Style (Brown)	●	●	●		
25	315548	Output Flange	1	(1) P/PF40	●	●	●		
25	338234	Output Flange	1	(2) P/PF40	●	●	●		
25	315549	Output Flange	1	(1) P/PF50	●	●	●		
25	338235	Output Flange	1	(2) P/PF50	●	●	●		
28	1525988	Nut M44x1,5	1		●	●	●		
29	244623	Fork	1	L=26,0 Old Type	●	●	●		
29	397406	Fork	1	L=25,5 New Type	●	●	●		
30	804768	Lock Ring	2		●	●	●		
31	214075	Spacer	2		●	●	●		
32	244437	Needle Bearing	2		●	●	●		
33	234017	Pin	2		●	●	●		
34	EI 198638	Fork Repair Kit	1	2 pcs. fig.31+32+33	●	●	●		
35	550520	Oil Seals Kit	1	(3)	●	●	●		
35	550537	Oil Seals Kit	1	(4)	●	●	●		
36	550527	Gasket Kit	1		●	●	●		
36	550534	Gasket Kit	1	(5)	●	●	●		
37	194838	Oil Pump	1		●	●	●		
38	224367	Oil Filter	1		●	●	●		
39	1101657	Oil Collector	1		●	●	●		

**Notes**

- (1) **Old Type** with spider straight housing (0°) (2) **New Type** with spider elical housing (4,5°)  
 (3) Containing 1 pc. **194414** Size **203x3** (4) Containing 1 pc. **1309563** Size **203x5**  
 (5) Same composition as **550527** with the addition of: **804723** (Countershaft Ring) / **315022** (Input shaft Ring) / **164061** (Side gasket)

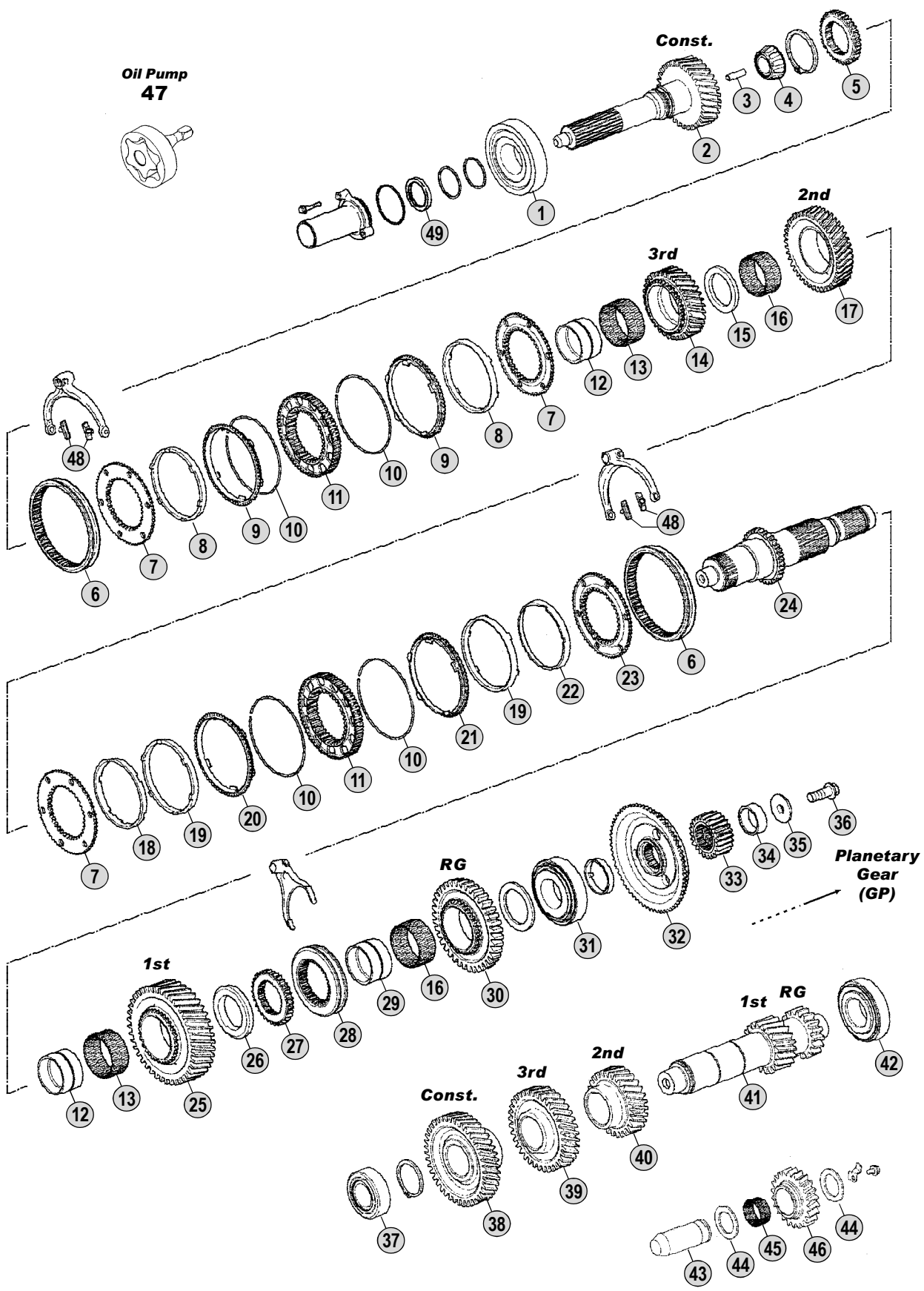
**Date**

05 / 2010

**Table****0105**

Adattabile a : **SCANIA**  
Suitable To :

# GR875 - GR875R (W/Retarder)



Models

### Serie P - Serie R

**P230 - P270 - P310**

**R230 - R270 - R310**

Fig.	Rif. SCANIA	Description	Q.ty	Note	GR875	GR875R			
1	1327878	Bearing D.65x150x40	1	Oem	●	●			
1	1327878	Bearing D.65x150x40	1	A.Market	●	●			
2	1769964	Input Shaft	1	Up to 2029367	●	●			
2	1778014	Input Shaft	1	From 2029368	●	●			
2	1772369	Input Shaft	1	EK-PTO Up to 2029367	●	●			
2	1783431	Input Shaft	1	EK-PTO From 2029368	●	●			
3	1762675	Tube	1		●	●			
4	1883975	Roller Bearing 40x30 mm	1		●	●			
5	1789137	Fixed Hub	1		●	●			
6	1752963	Sliding Sleeve	2		●	●			
7	1495269	Synchronizer Cone	3		●	●			
8	1849451	Intermediate Synchro Ring	2		●	●			
9	1543357	Synchronizer Ring	2		●	●			
10	1730173	Ring	4		●	●			
11	1788922	Synchronizer Hub	2		●	●			
12	1769457	Bush	2		●	●			
13	1774165	Needle Cage	2		●	●			
14	1476208	Gear 3rd Speed	1		●	●			
15	1490886	Washer	1		●	●			
16	1476286	Needle Cage	2		●	●			
17	1476214	Gear 2nd Speed	1		●	●			
18	1849457	Intermediate Synchro Ring	1		●	●			
19	1849454	Intermediate Synchro Ring	2		●	●			
20	1543359	Synchronizer Ring	1		●	●			
21	1543361	Synchronizer Ring	1		●	●			
22	1849460	Intermediate Synchro Ring	1		●	●			
23	1495267	Synchronizer Cone	1		●	●			
24	1476200	Main Shaft	1		●	●			
25	1476222	Gear 1st Speed	1		●	●			
26	1513484	Washer	1		●	●			
27	1789137	Fixed Hub	1		●	●			
28	1514712	Sliding Sleeve	1		●	●			
29	1476287	Bush	1		●	●			
30	1476236	Reverse Gear	1		●	●			
31	1327878	Bearing D.65x150x40	1	Oem	●	●			
31	1327878	Bearing D.65x150x40	1	A.Market	●	●			
32	1491227	Synchronizer Cone	1	(*) Old Generation	●	●			
32	1788171	Synchronizer Cone	1	(*) New Generation	●	●			
32	1883352	Synchronizer Cone	1	(@) Latest Generation	●	●			
33	1476324	Sun Gear	1		●	●			
34	1408485	Spacer	1		●				
34	1414441	Bearing	1			●			
35	1498317	Washer	1		●	●			
36	1887739	Screw	1		●	●			
37	1534829	Bearing	1		●	●			

**Notes**

(\*) **Old and New Generation.** Can be replaced by Synchro rebuilt kit **298.189** (Latest Generation) shown in the next table.

(@) **LATEST GENERATION.** To be coupled together.

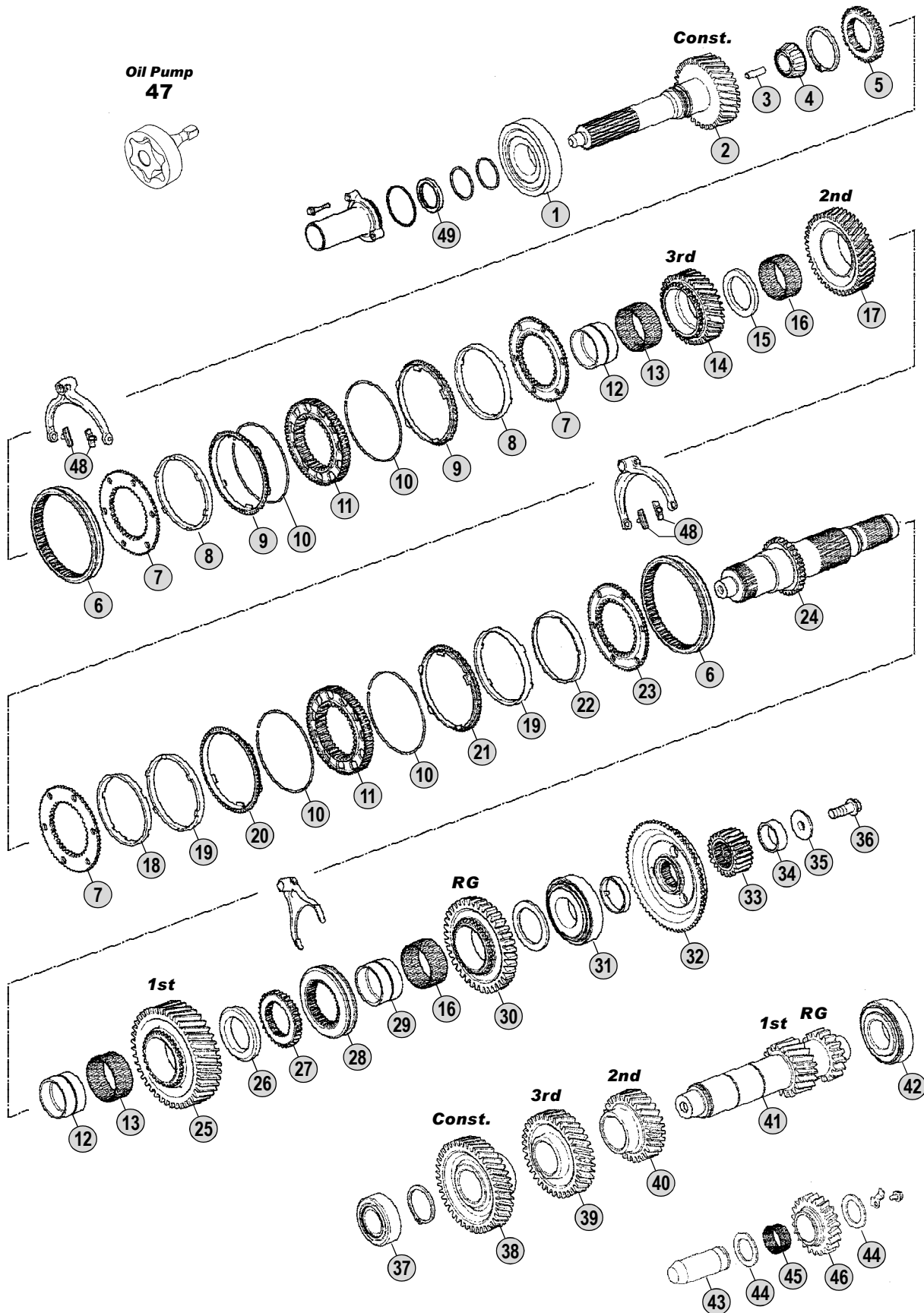
**Date**

05/ 2010

**Table****0110**

Adattabile a : **SCANIA**  
Suitable To :

**GR875 - GR875R (W/Retarder)**



Models

**Serie P - Serie R**

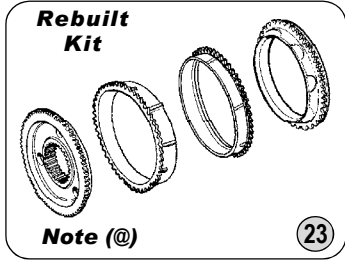
**P230 - P270 - P310**

**R230 - R270 - R310**

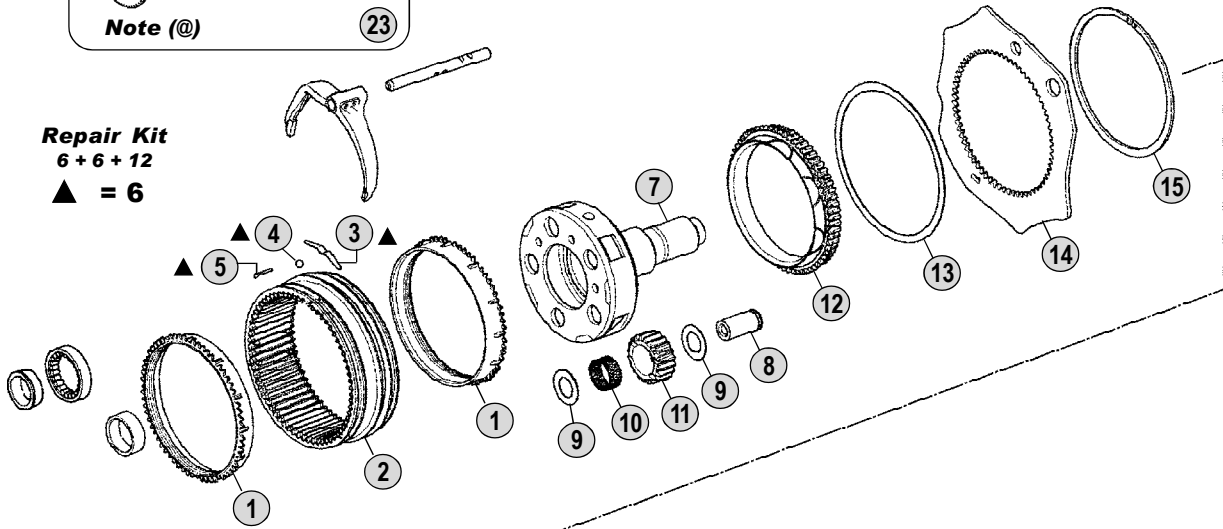


Adattabile a : **SCANIA**  
Suitable To :

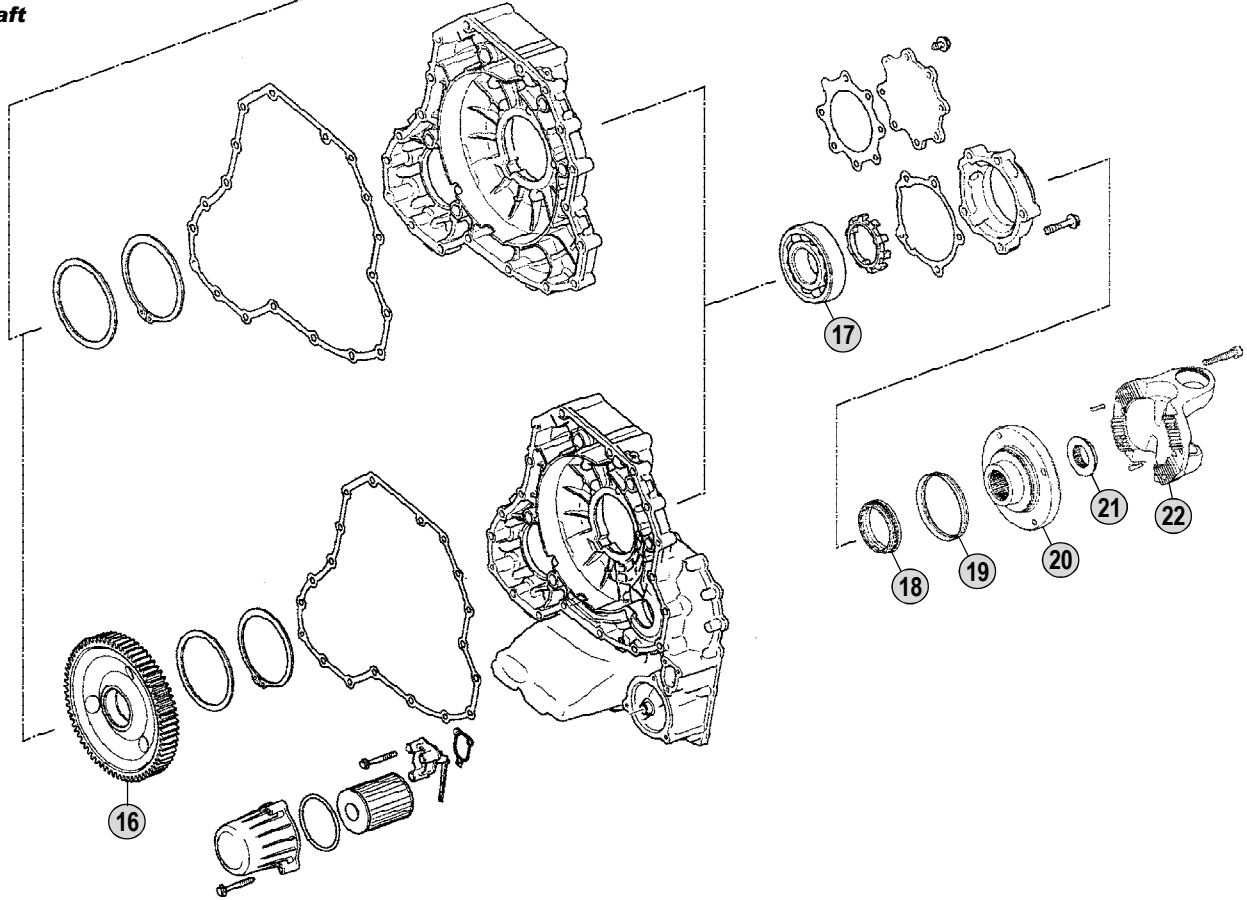
# GR875 - GR875R (W/Retarder)



**Repair Kit**  
6 + 6 + 12  
▲ = 6



**Main Shaft** ←



**Models**

## Serie P - Serie R

**P230 - P270 - P310**

**R230 - R270 - R310**

Fig.	Rif. SCANIA	Description	Q.ty	Note	GR875	GR875R			
1	1395624	Synchronizer Ring	2	(*) Old Generation	●	●			
1	1770058	Synchronizer Ring	2	(*) New Generation	●	●			
1	1883363	Synchronizer Ring	2	(@) Latest Generation	●	●			
2	1118030	Crown Gear 66 T	1		●	●			
3	1395039	Spring	6		●	●			
4	871702	Ball	12		●	●			
5	1332508	Pin	6		●	●			
6	CEI 298033	Repair Kit	1		●	●			
7	1776626	Planetary Carrier	1	Complete	●				
7	1776737	Planetary Carrier	1	Complete		●			
8	1776625	Pin	5		●	●			
9	1422910	Washer	10		●	●			
10	389434	Needle Bearing	5		●	●			
11	1373174	Planet Pinion 20 T	5		●	●			
12	1323147	Synchronizer Cone	1	(*) Old Generation	●	●			
12	1788170	Synchronizer Cone	1	(*) New Generation	●	●			
12	1883350	Synchronizer Cone	1	(@) Latest Generation	●	●			
13	1491380	Ring	1		●	●			
14	1520797	Plate	1		●	●			
15	1302665	Snap Ring	1		●	●			
16	1500145	Retarder Gear	1			●			
17	1783324	Bearing D.60x130x31	1		●	●			
18	1502384	Oil Seal 85x105x13	1		●	●			
19	1300977	Dust Cover	1		●	●			
20	1535361	Output Flange	1	P602	●	●			
21	1525988	Nut M44x1,5	1		●	●			
22	1531005	Output flange	1	P602	●	●			
23	CEI 298189	Synchro kit	1	(@)	●	●			

**Notes**

(\*) **Old and New Generation.** Can be replaced by synchro rebuilt kit **298.189** (Fig.23).  
 (@) **LATEST GENERATION.** To be coupled together

**Date**

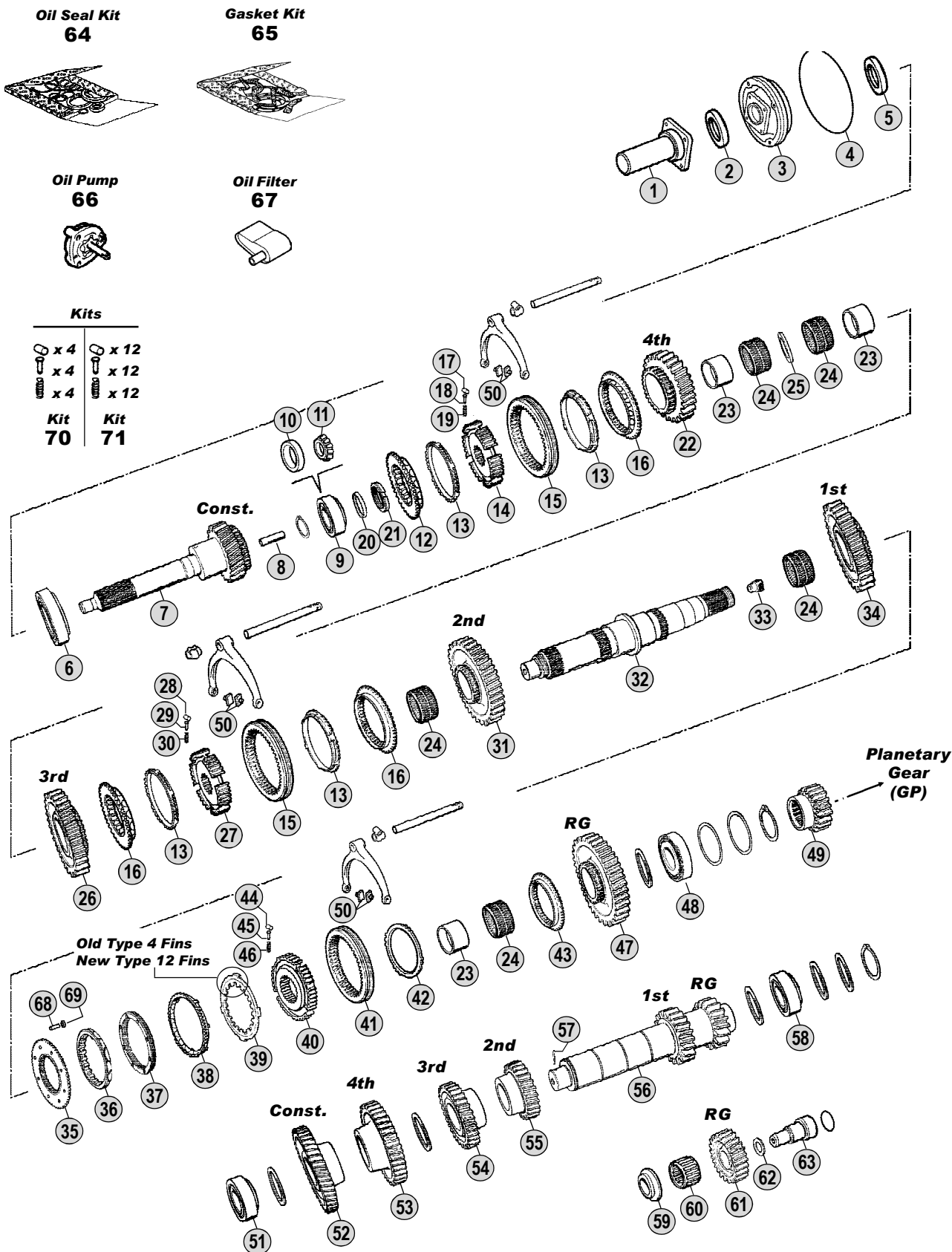
05 / 2010

**Table****0115**



Adattabile a : **SCANIA**  
 Suitable To :

Modelli Cambio/ Gearbox Models  
**GR880(T) - GRH880**



Models

**Serie 2 - Serie 3**

R142 - T142

P113 - R113 - T113 - R143 - T143

Fig.	Rif. SCANIA	Description	Q.ty	Note						
					GR880	GR880T	GRH880			
1	1103619	Front Cover	1		●	●	●			
2	315270	V-Ring	1		●	●	●			
3	375761	Front Cover	1	Up to 6619486	●	●	●			
3	1312884	Front Cover	1	From 6619487	●	●	●			
4	194414	O Ring 203x3 mm	1	Up to 6619486	●	●	●			
4	1309563	O-Ring 203x3 mm	1	From 6619487	●	●	●			
5	388528	Oil Seal Ring D.45x65x9	1		●	●	●			
6	1121538	Bearing 76,22x139,7x36	1		●	●	●			
7	1308366	Input Shaft 25 T	1		●	●	●			
8	315060	Oil tube	1		●	●	●			
9	361043	Bearing 40x85x33	1	Oem Old Type	●	●	●			
9	361043	Bearing 40x85x33	1	A.Market Old Type	●	●	●			
10	1548819	Bearing Cone 85 mm	1	Oem New Type	●	●	●			
10	1548819	Bearing Cone 85 mm	1	A.Market New Type	●	●	●			
11	1883975	Roller Bearing 40x30 mm	1	New Type	●	●	●			
12	371687	Synchronizer Cone	1		●	●	●			
13	1382465	Synchronizer Ring	4	(A)	●	●	●			
13	1756447	Synchronizer Ring	4	(B)	●	●	●			
14	369905	Synchronizer Hub	1		●	●	●			
15	369906	Sliding Sleeve	2	(A)	●	●	●			
15	1529939	Sliding Sleeve	2	(B)	●	●	●			
16	369908	Synchronizer Cone	3		●	●	●			
17	374334	Roller	4		●	●	●			
18	369910	Pin	4		●	●	●			
19	369911	Spring	4		●	●	●			
20	358404	Ring	1		●	●	●			
21	194484	Nut M50x1,5	1		●	●	●			
22	365736	Gear 4th Speed 28 T	1		●	●	●			
23	194376	Bush	3		●	●	●			
24	194413	Needle Cage D.70x78x46	5		●	●	●			
25	264225	Ring	1		●	●	●			
26	365735	Gear 3rd Speed 30 T	1		●	●	●			
27	369904	Synchronizer Hub	1		●	●	●			
28	374334	Roller	4		●	●	●			
29	369910	Pin	4		●	●	●			
30	369911	Spring	4		●	●	●			
31	365734	Gear 2nd Speed 33 T	1		●	●	●			
32	331880	Main Shaft	1	(1)	●	●	●			
32	1333269	Main Shaft	1	(2)	●	●	●			
33	374326	Plug	1		●	●	●			
34	365733	Gear 1st Speed 35 T	1		●	●	●			
35	381226	Synchronizer Cone	1		●	●	●			
36	1438526	Synchronizer Ring	1		●	●	●			
37	1383895	Intermediate Synchro Ring	1	(A)	●	●	●			
37	1466318	Intermediate Synchro Ring	1	(B)	●	●	●			

**Notes**

- (A) Standard Generation. Use items marked (A) together.  
 (B) LATEST GENERATION. Use items marked (B) together.  
 (1) **Old style Mainshaft.** This Old type can use both Old (339800) and New (1333270) Style sun gear  
 (2) **New style Mainshaft.** This New type can use Only New style sun gear (1333270)  
 (3) **Old style with 4 fins** not listed in the catalogue. The **old ring 391804** (fig.39) and the **old Synchro ring 373272** (fig.38) can be replaced by :  
 1 pc. 169.740 - 1401622 (Fig.39) + 1 pc. 119.146 - 1401620 (Fig.38)

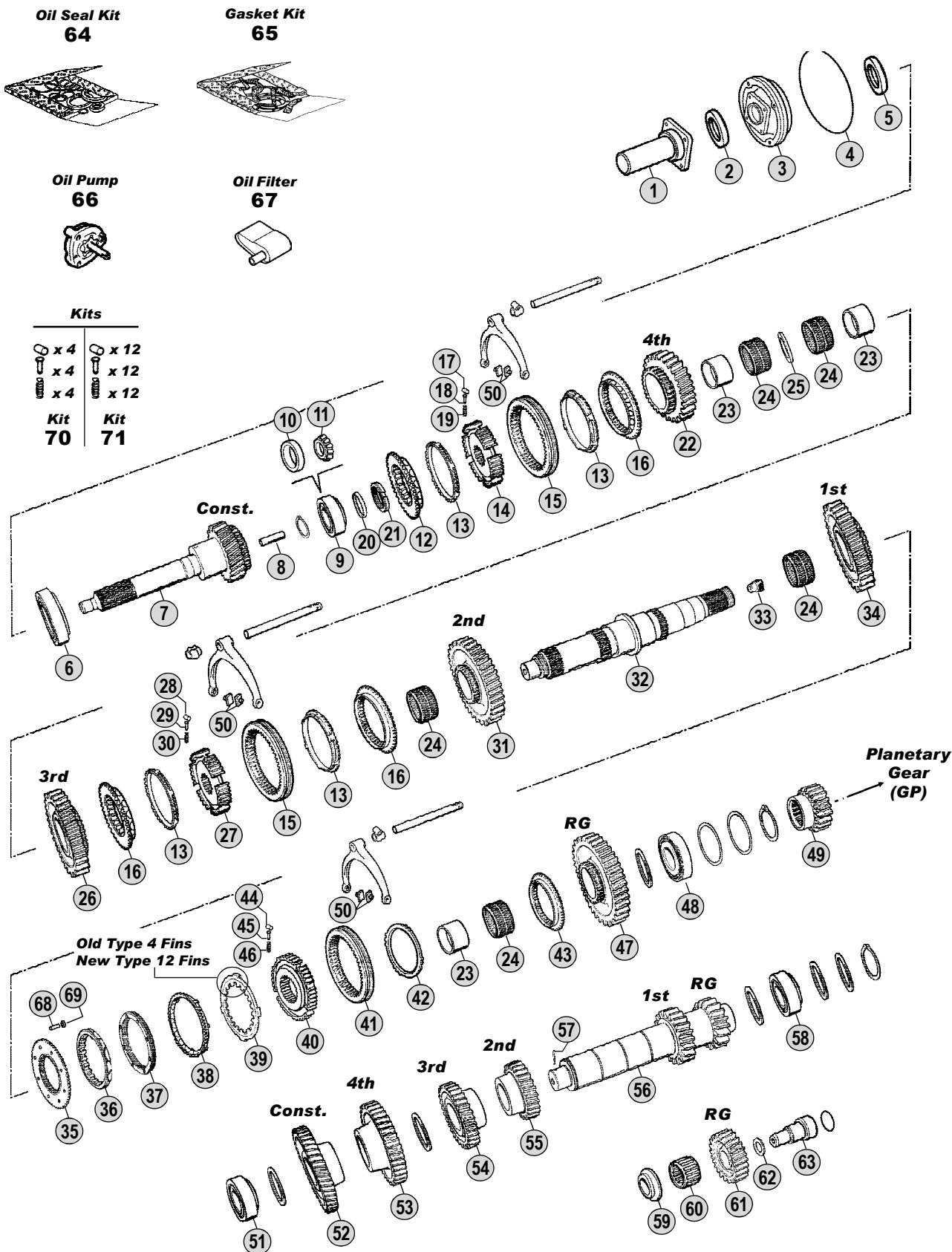
**Date**

05 / 2010

**Table****0120**

Adattabile a : **SCANIA**  
 Suitable To :

Modelli Cambio/ Gearbox Models  
**GR880(T) - GRH880**



Models

**Serie 2 - Serie 3**

R142 - T142

P113 - R113 - T113 - R143 - T143

Fig.	Rif. SCANIA	Description	Q.ty	Note						
					GR880	GR880T	GRH880			
38	1401620	Synchronizer Ring	1	(A)(3) New Style 12 Fins	●	●	●			
38	1529950	Synchronizer Ring	1	(B)	●	●	●			
39	1401622	Driver Plate	1	(A)(3) New Style 12 Fins	●	●	●			
39	1533848	Driver Plate	1	(B)	●	●	●			
40	383095	Synchronizer Hub	1		●	●	●			
41	371692	Sliding Sleeve	1	(A)	●	●	●			
41	1529939	Sliding Sleeve	1	(B)	●	●	●			
42	395759	Ring	1		●	●	●			
43	369909	Synchronizer Cone	1		●	●	●			
44	374334	Roller	4		●	●	●			
45	369910	Pin	4		●	●	●			
46	369911	Spring	4		●	●	●			
47	365737	Reverse Gear 30 T	1		●	●	●			
48	284997	Bearing 57x119,9x32,7	1		●	●	●			
49	339800	Sun Gear 17 T	1	(1)	●	●	●			
49	1333270	Sun Gear 17 T	1	(2)	●	●	●			
50	352889	Slide	6		●	●	●			
51	1903570	Bearing D.50x100x37,65	1	Oem	●	●	●			
51	1903570	Bearing D.50x100x37,65	1	A.Market	●	●	●			
52	1308365	Constant Gear 39 T	1		●	●	●			
53	368913	Gear 4th Speed 34 T	1		●	●	●			
54	368912	Gear 3rd Speed 27 T	1		●	●	●			
55	368911	Gear 2nd Speed 22 T	1		●	●	●			
56	372386	Countershaft 15/17 T	1		●	●	●			
57	340430	Pin	1		●	●	●			
58	284992	Bearing 69,8x120x29,8	1		●	●	●			
59	194798	Washer	1		●	●	●			
60	361044	Needle Cage	1		●	●	●			
61	368921	Reverse Gear 21 T	1		●	●	●			
62	194400	Spacer Ring	1		●	●	●			
63	369569	Reverse Gear Pin	1		●	●	●			
64	550535	Oil Seal Kit	1	Up to 6619486	●	●	●			
64	550538	Oil Seal Kit	1	From 6619487	●	●	●			
65	550536	Gasket Kit	1		●	●	●			
66	194838	Oil Pump	1		●	●	●			
67	224367	Oil Filter	1		●	●	●			
68	1340002	Pin	8		●	●	●			
69	383138	Lock Ring	8		●	●	●			
70	CEI 198847	Roller-Pins and Springs kit	1		●	●	●			
71	CEI 198848	Roller-Pins and Springs kit	1		●	●	●			

**Notes**

- (A) Standard Generation. Use items marked (A) together.  
 (B) LATEST GENERATION. Use items marked (B) together.  
 (1) **Old style Mainshaft.** This Old type can use both Old (339800) and New (1333270) Style sun gear  
 (2) **New style Mainshaft.** This New type can use Only New style sun gear (1333270)  
 (3) **Old style with 4 fins** not listed in the catalogue. The **old ring 391804** (fig.39) and the **old Synchro ring 373272** (fig.38) can be replaced by :  
 1 pc. 169.740 - 1401622 (Fig.39) + 1 pc. 119.146 - 1401620 (Fig.38)

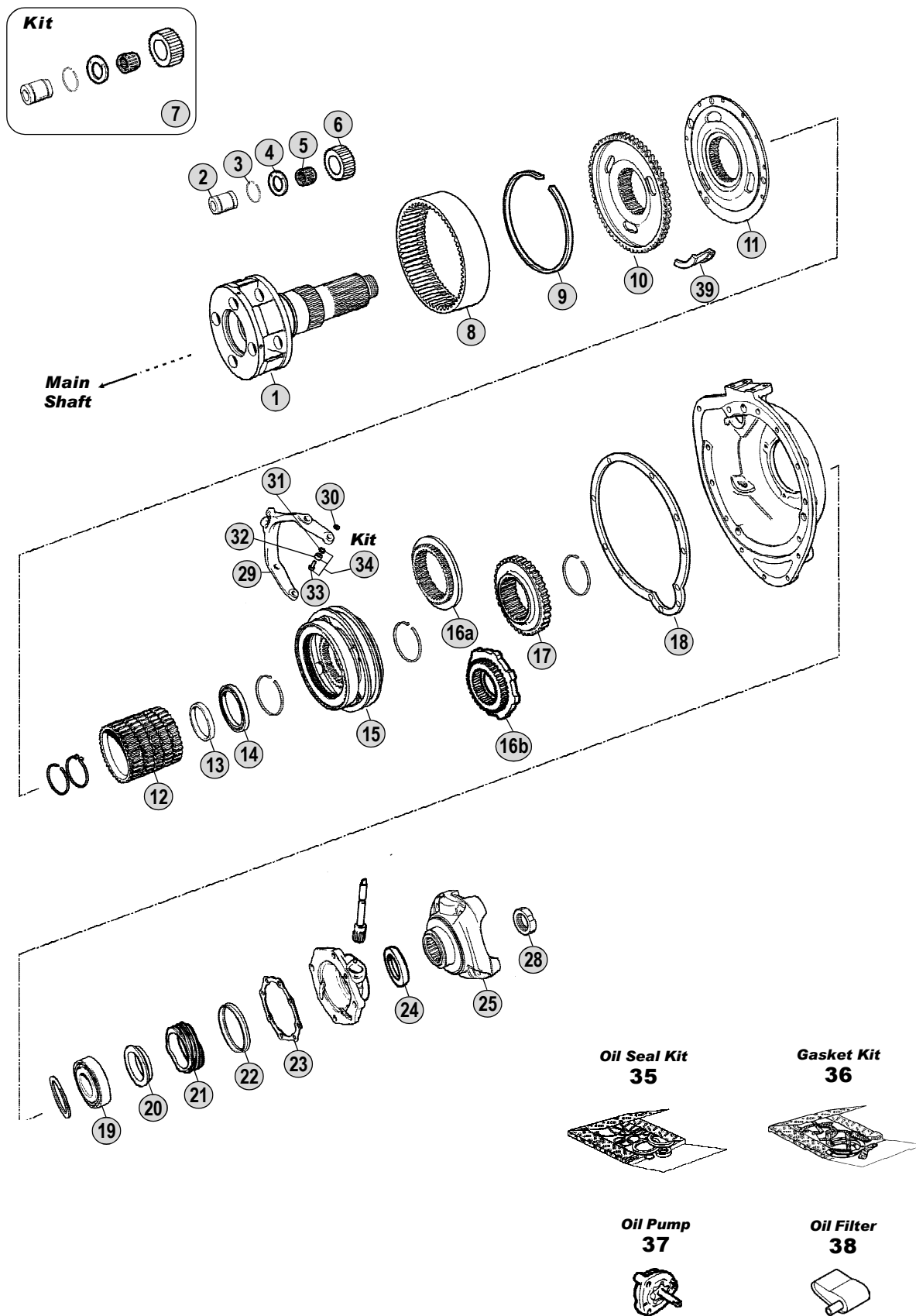
**Date**

05 / 2010

**Table****0120**

Adattabile a : **SCANIA**  
 Suitable To :

Modelli Cambio/ Gearbox Models  
**GR880(T) - GRH880**



Models

**Serie 2 - Serie 3**

R142 - T142

P113 - R113 - T113 - R143 - T143

Fig.	Rif. SCANIA	Description	Q.ty	Note					
					GR880	GR880T	GRH880		
1	392363	Output Shaft	1		●	●	●		
2	234184	Planetary Pin	4		●	●	●		
3	234193	Snap Ring	8		●	●	●		
4	254669	Thrust Washer	8		●	●	●		
5	194381	Needle Cage D.49x65x38	4		●	●	●		
6	358360	Side Pinion 19 T	4		●	●	●		
7	CEI 198577	Repair Kit	4		●	●	●		
8	194349	Crown Gear 55 T	1		●	●	●		
9	284444	Retainer Ring	1		●	●	●		
10	338867	Carrier Hub	1		●	●	●		
11	1103707	Carrier Hub	1		●	●	●		
12	284675	Guide Sleeve	1		●	●	●		
13	244537	Ring	1		●	●	●		
14	244610	Bearing 75x95x10	1		●	●	●		
15	244622	Synchronizer Assy.	1		●	●	●		
16A	333547	Synchronizer Cone	1	Up to 6621133	●	●	●		
16B	360627	Synchronizer Cone	1	From 6621134	●	●	●		
17	1114838	Hub	1		●	●	●		
18	387300	Gasket	1		●	●	●		
19	194508	Bearing 75x130x25	1		●	●	●		
20	315977	Spacer	1		●	●	●		
21	174806	Speedometer Gear	1		●	●	●		
22	1307760	Dust Cover	1		●	●	●		
23	387302	Gasket	1		●	●	●		
24	1335243	Oil Seal Ring D.80x100x10 (Green)	1	Old Style (Green)	●	●	●		
24	338643	Oil Seal Ring (Brown)	1	New Style (Brown)	●	●	●		
25	338235	Output Flange	1	P/PF50	●	●	●		
25	373825	Output Flange	1	P/PF60	●	●	●		
28	1525988	Nut M44x1,5	1		●	●	●		
29	397406	Fork	1		●	●	●		
30	804768	Lock Ring	2		●	●	●		
31	214075	Spacer	2		●	●	●		
32	244437	Needle Bearing	2		●	●	●		
33	234017	Pin	2		●	●	●		
34	CEI 198638	Fork Repair Kit	1	2pcs. fig.31+32+33	●	●	●		
35	550535	Oil Seal Kit	1	Up to 6619486	●	●	●		
35	550538	Oil Seal Kit	1	Fom 6619487	●	●	●		
36	550536	Gasket Kit	1		●	●	●		
37	194838	Oil Pump	1		●	●	●		
38	224367	Oil Filter	1		●	●	●		
39	1101657	Oil Collector	1		●	●	●		

Notes

Date

05 / 2010

Table

0125



Adattabile a : **SCANIA** **GRS890 - GRS890R** (W/Retarder)  
 Suitable To :

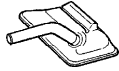
**Oil Seal & Gasket Kit**  
**88 - 89 - 90**



**Oil Pump**  
**83**



**Oil Filter**  
**84**

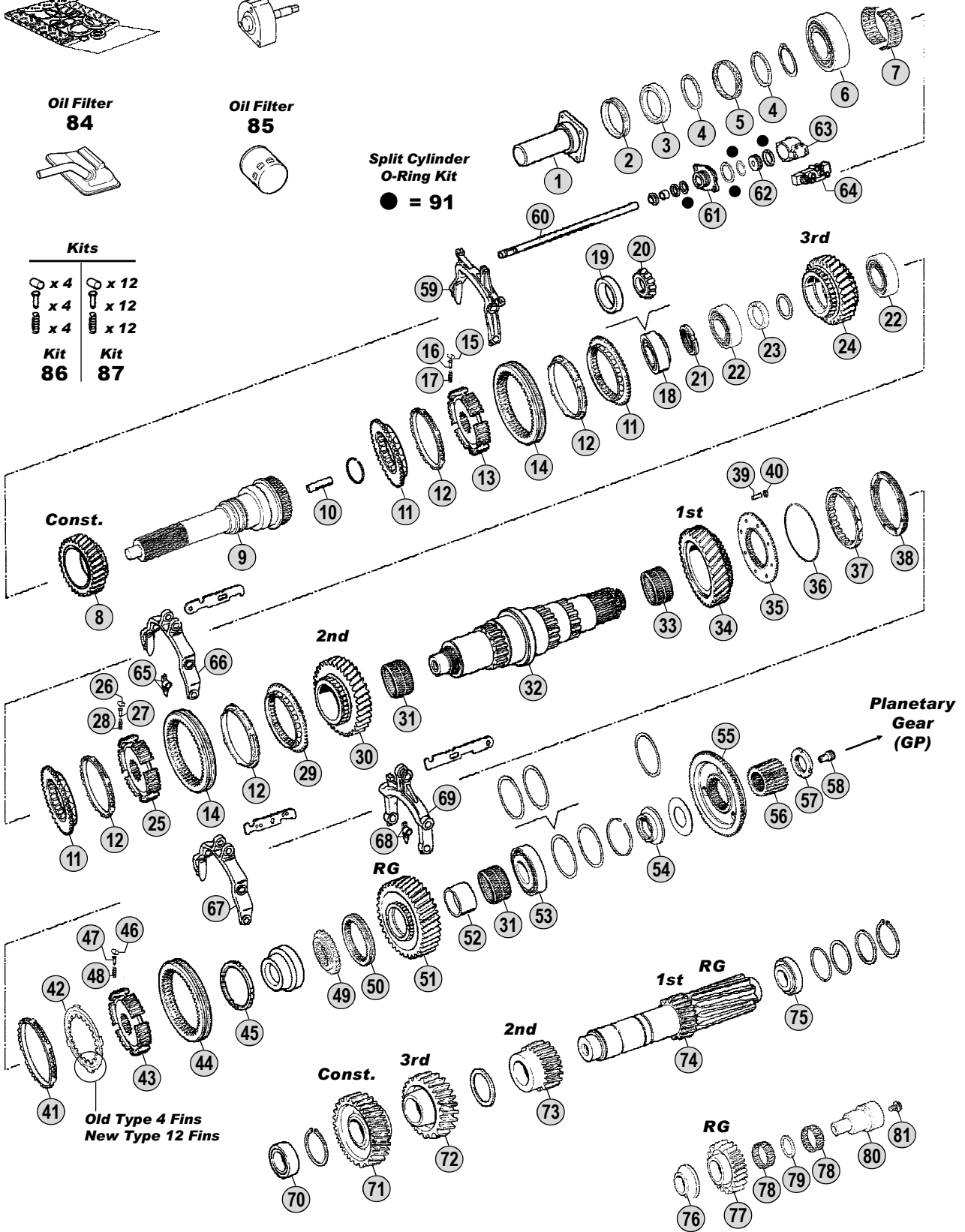


**Oil Filter**  
**85**



**Split Cylinder**  
**O-Ring Kit**  
 ● = 91

Kits	
x 4	x 12
x 4	x 12
x 4	x 12
<b>Kit</b> <b>86</b>	<b>Kit</b> <b>87</b>



**Models**

**Serie 4**

**94C - 94D - 94G - 94L**

**114C - 114G - 114L - 124C - 124G - 124L**



Fig.	Rif. SCANIA	Description	Q.ty	Note	GRS890	GRS890R			
1	1103934	Cover	1		●	●			
2	378613	V-Ring D.45	1	Excl.EK models	●	●			
3	1318388	Oil Seal 55x75x9	1		●	●			
4	1515004	Ring	2		●	●			
5	1114315	Ring	1		●	●			
6	1327878	Bearing D.65x150x40	1	Oem	●	●			
6	1327878	Bearing D.65x150x40	1	A.Market	●	●			
7	372778	Needle Cage 92X100X44	1		●	●			
8	1116457	Constant Gear 29 T	1		●	●			
9	1377307	Input Shaft	1		●	●			
9	1378579	Input Shaft	1	EK-PTO	●	●			
10	315060	Oil tube	1		●	●			
11	1116475	Synchronizer Cone	3		●	●			
12	1382465	Synchronizer Ring	4	(G)	●	●			
12	1756447	Synchronizer Ring	4	(H)	●	●			
13	1376499	Synchronizer Hub	1		●	●			
14	369906	Sliding Sleeve	2	(G)	●	●			
14	1529939	Sliding Sleeve	2	(H)	●	●			
15	374334	Roller	4		●	●			
16	369910	Pin	4		●	●			
17	369911	Spring	4		●	●			
18	361043	Bearing 40x85x33	1	Oem Old Type	●	●			
18	361043	Bearing 40x85x33	1	A.Market Old Type	●	●			
19	1548819	Bearing Cone 85 mm	1	Oem New Type	●	●			
19	1548819	Bearing Cone 85 mm	1	A.Market New Type	●	●			
20	1883975	Roller Bearing 40x30 mm	1	New Type	●	●			
21	1461414	Nut	1		●	●			
22	1548056	Bearing	2	Oem	●	●			
22	1548056	Bearing	2	A.Market	●	●			
23	1302731	Spacer T.9,50 mm	1		●	●			
23	1302732	Spacer T.9,52 mm	1		●	●			
23	1302733	Spacer T.9,54 mm	1		●	●			
23	1302734	Spacer T.9,56 mm	1		●	●			
23	1302735	Spacer T.9,58 mm	1		●	●			
24	1116459	Gear 3rd Speed	1	(A)	●	●			
24	1367794	Gear 3rd Speed 32 T	1	(B)	●	●			
25	1405981	Synchronizer Hub	1		●	●			
26	374334	Roller	4		●	●			
27	369910	Pin	4		●	●			
28	369911	Spring	4		●	●			
29	1116477	Synchronizer Cone	1		●	●			
30	1116461	Gear 2nd Speed 35 T	1		●	●			
31	378628	Needle Cage D.80x88x40	2		●	●			
32	1325344	Main Shaft	1	(C)	●	●			
32	1382978	Main Shaft	1	(D)	●	●			

**Notes**

(A) Up to Gearbox **6745013** (B) From Gearbox **6745014** (C) Up to Gearbox **6757126**  
 (D) From Gearbox **6757127** (E) Up to Gearbox **6932500** (F) From Gearbox **6932501**

(G - H) To be coupled together

(I) **Old style with 4 fins** not listed in the catalogue. The old ring 391804 (fig.42) and the **old Synchro ring 373272** (fig.41) can be replaced by:  
 1 pc. **169.740 - 1401622** (Fig.42) + 1 pc. **119.146 - 1401620** (Fig.41)

(\*) **Old and New Generation.** Can be replaced by Synchro rebuilt kit **298.188** (Latest Gen.) shown in the next table.

(@) **LATEST GENERATION.** To be coupled together.

**Date**

05 / 2010

**Table****0130**

Adattabile a : **SCANIA** **GRS890 - GRS890R** (W/Retarder)  
 Suitable To :

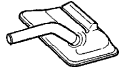
**Oil Seal & Gasket Kit**  
**88 - 89 - 90**



**Oil Pump**  
**83**



**Oil Filter**  
**84**

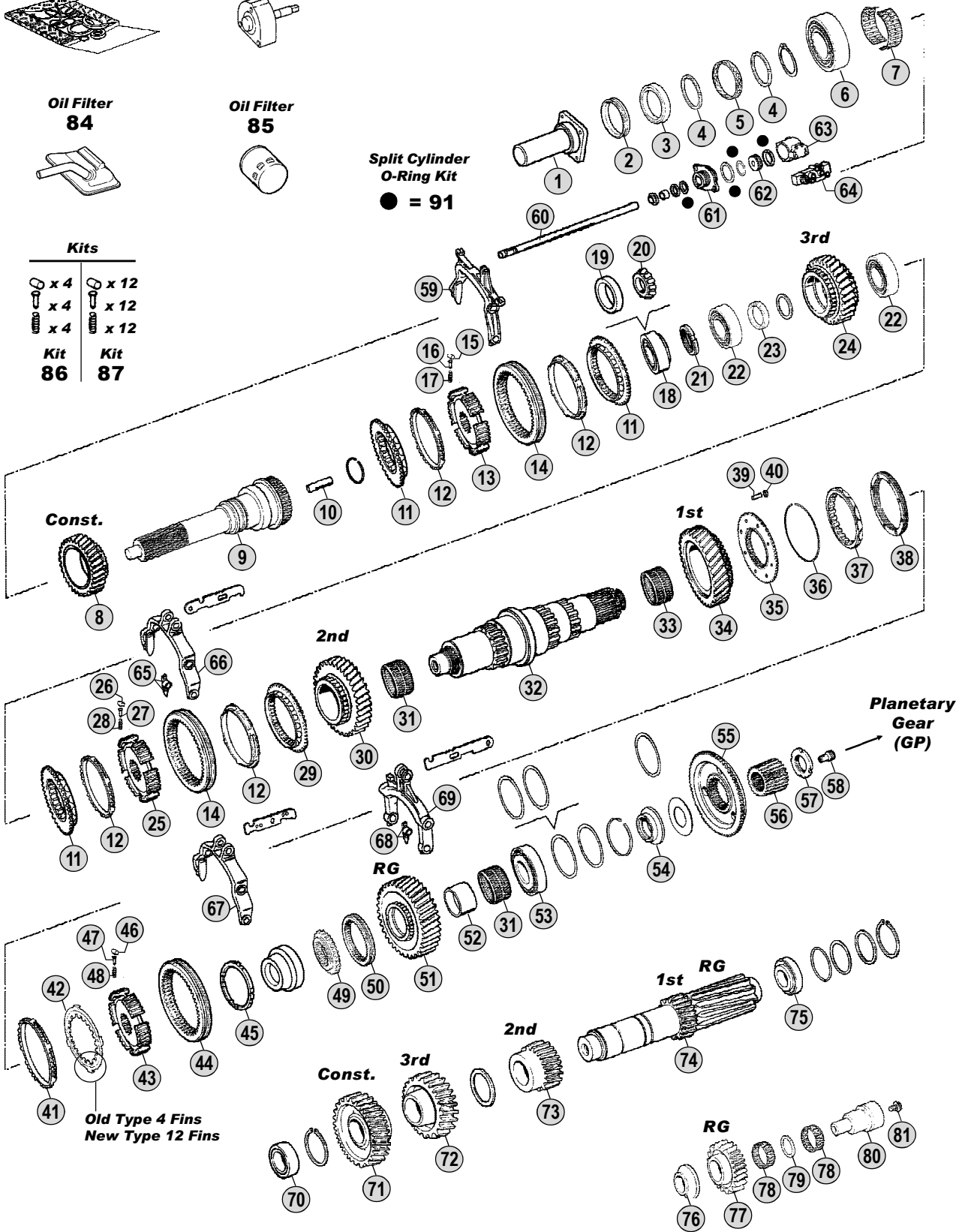


**Oil Filter**  
**85**



**Split Cylinder**  
**O-Ring Kit**  
 ● = 91

Kits	
x 4	x 12
x 4	x 12
x 4	x 12
<b>Kit</b> <b>86</b>	<b>Kit</b> <b>87</b>



**Models**

**Serie 4**

**94C - 94D - 94G - 94L**

**114C - 114G - 114L - 124C - 124G - 124L**

Fig.	Rif. SCANIA	Description	Q.ty	Note	GRS890	GRS890R			
33	378616	Needle Cage D.80x88x55	1		●	●			
34	1373172	Gear 1st Speed 39 T	1	(E)	●	●			
34	1393876	Gear 1st Speed 44 T	1	(F)	●	●			
35	1300061	Synchronizer Cone	1		●	●			
36	1300065	Lock Ring	1	(E)	●	●			
37	1438526	Synchronizer Ring	1		●	●			
38	1383895	Intermediate Synchro Ring	1	(G)	●	●			
38	1466318	Intermediate Synchro Ring	1	(H)	●	●			
39	1340002	Pin	8		●	●			
40	383138	Lock Ring	8		●	●			
41	1401620	Synchronizer Ring	1	(G)(1) New Style 12 Fins	●	●			
41	1529950	Synchronizer Ring	1	(H)	●	●			
42	1401622	Driver Plate	1	(G)(1) New Style 12 Fins	●	●			
42	1533848	Driver Plate	1	(H)	●	●			
43	1405981	Synchronizer Hub	1		●	●			
44	371692	Sliding Sleeve	1	(G)	●	●			
44	1529939	Sliding Sleeve	1	(H)	●	●			
45	395759	Ring	1		●	●			
46	374334	Roller	4		●	●			
47	369910	Pin	4		●	●			
48	369911	Spring	4		●	●			
49	378627	Fixed Hub	1		●	●			
50	378646	Sliding Sleeve	1		●	●			
51	378633	Reverse Gear 36 T	1		●	●			
52	1304853	Bush	1		●	●			
53	1327878	Bearing D.65x150x40	1	Oem	●	●			
53	1327878	Bearing D.65x150x40	1	A.Market	●	●			
54	1113910	Spacer	1		●	●			
55	1304850	Synchronizer Cone	1	(*) Old Generation	●	●			
55	1789444	Synchronizer Cone	1	(*) New Generation	●	●			
55	1883354	Synchronizer Cone	1	(@) Latest Generation	●	●			
56	1459308	Sun Gear 24 T	1		●				
56	1459309	Sun Gear 24 T	1			●			
57	1461417	Nut	1		●				
57	1461416	Nut	1			●			
58	1314986	Oil Plug	1	(C)	●	●			
58	1387297	Oil Plug	1	(D)	●	●			
59	1335671	Fork	1		●	●			
60	1335174	Rod	1		●	●			
61	1305977	Intermediate Element	1		●	●			
62	1337894	Piston	1		●	●			
63	1345149	Cylinder	1		●	●			
64	1488083	Solenoid Valve	1		●	●			
65	1423484	Slide	2	Standard	●	●			
65	1423485	Slide	2	Size -0,2	●	●			

**Notes**

(A) Up to Gearbox **6745013** (B) From Gearbox **6745014** (C) Up to Gearbox **6757126**  
 (D) From Gearbox **6757127** (E) Up to Gearbox **6932500** (F) From Gearbox **6932501**

(G - H) To be coupled together

(I) **Old style with 4 fins** not listed in the catalogue. The old ring 391804 (fig.42) and the **old Synchro ring 373272** (fig.41) can be replaced by:  
 1 pc. **169.740 - 1401622** (Fig.42) + 1 pc. **119.146 - 1401620** (Fig.41)

(\*) **Old and New Generation.** Can be replaced by Synchro rebuilt kit **298.188** (Latest Gen.) shown in the next table.

(@) **LATEST GENERATION.** To be coupled together.

**Date**

05 / 2010

**Table****0130**

Adattabile a : **SCANIA** **GRS890 - GRS890R** (W/Retarder)  
 Suitable To :

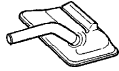
**Oil Seal & Gasket Kit**  
**88 - 89 - 90**



**Oil Pump**  
**83**



**Oil Filter**  
**84**

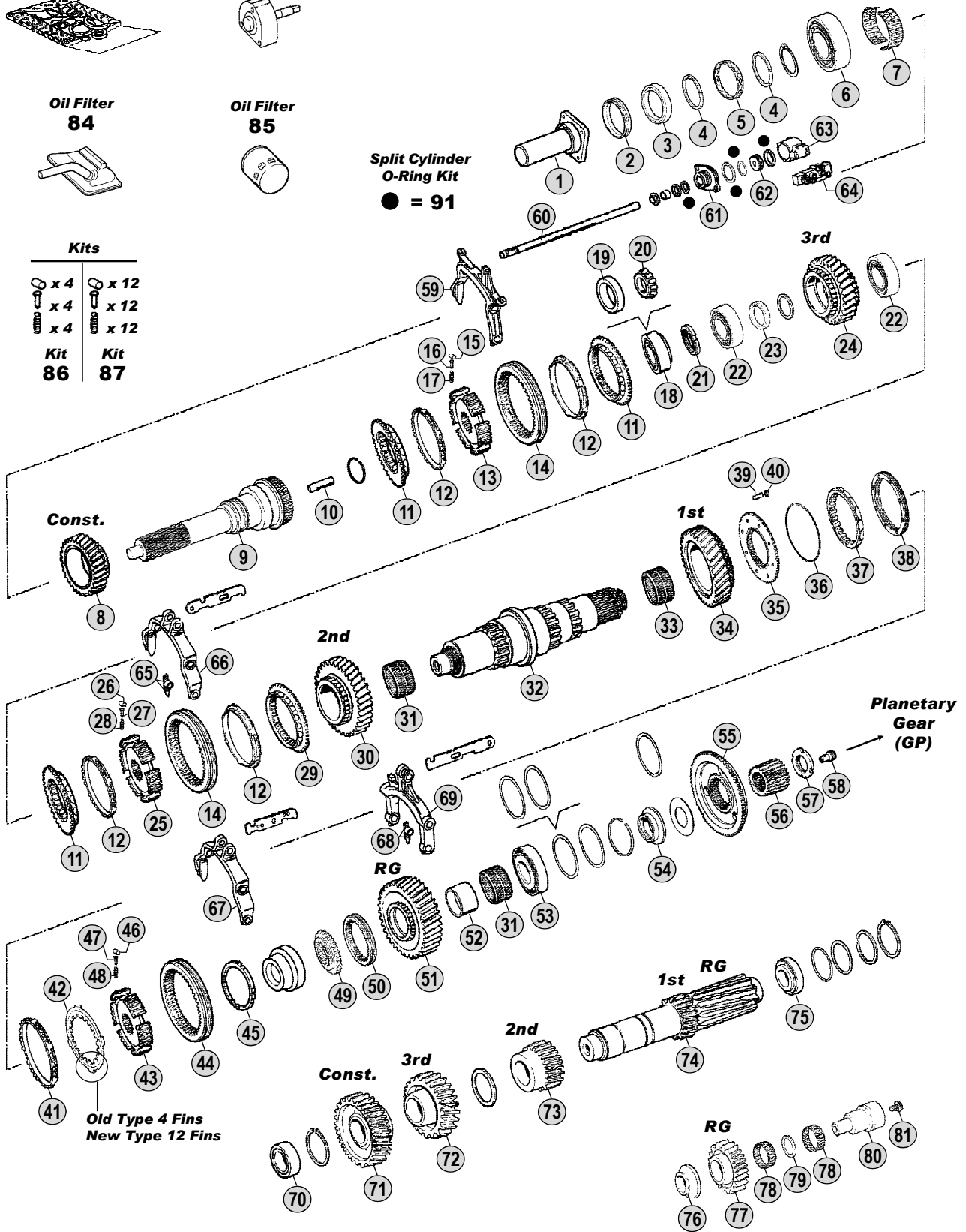


**Oil Filter**  
**85**



**Split Cylinder**  
**O-Ring Kit**  
 ● = 91

Kits	
x 4	x 12
x 4	x 12
x 4	x 12
<b>Kit</b> <b>86</b>	<b>Kit</b> <b>87</b>



**Models**

**Serie 4**

**94C - 94D - 94G - 94L**

**114C - 114G - 114L - 124C - 124G - 124L**

Fig.	Rif. SCANIA	Description	Q.ty	Note				
					GRS890	GRS890R		
65	1423486	Slide	2	Size +0,2	●	●		
66	1301860	Fork	1		●	●		
67	1301860	Fork	1	(E)	●	●		
67	1479151	Fork	1	(F)	●	●		
68	1423958	Slide	2		●	●		
69	1305971	Fork	1		●	●		
70	1903570	Bearing D.50x100x37,65	1	Oem	●	●		
70	1903570	Bearing D.50x100x37,65	1	A.Market	●	●		
71	1116469	Constant Gear 38 T	1		●	●		
72	1116471	Gear 3rd Speed	1	(A)	●	●		
72	1367796	Gear 3rd Speed 34 T	1	(B)	●	●		
73	1116473	Gear 2nd Speed 24 T	1		●	●		
74	1373173	Countershaft 17/12 T	1	(E)	●	●		
74	1393880	Countershaft 19/12 T	1	(F)	●	●		
75	1357711	Bearing 60X130X33,5	1	Oem	●	●		
75	1357711	Bearing 60X130X33,5	1	A.Market	●	●		
76	378614	Washer	1		●	●		
77	380110	Reverse Gear	1		●	●		
78	378615	Needle Cage D.50x62x21,5	2		●	●		
79	380109	Spacer	1		●	●		
80	1510337	Reverse Pin	1		●	●		
81	812534	Screw	1		●	●		
83	1426449	Oil Pump	1		●	●		
84	1307097	Oil Filter	1		●	●		
85	1768402	Oil Filter	1		●	●		
86	CEI 198847	Roller-Pins and Springs kit	1		●	●		
87	CEI 198848	Roller-Pins and Springs kit	1		●	●		
88	CEI 198850	Gasket kit	1	Only gaskets	●	●		
89	CEI 198851	Oil Seals Kit	1	Only oil seals	●	●		
90	550577	Oil Seal and Gasket Kit	1	Complete	●	●		
91	CEI 198956	Split Cylinder O-Ring Kit	1		●	●		

**Notes**

(A) Up to Gearbox **6745013** (B) From Gearbox **6745014** (C) Up to Gearbox **6757126**  
 (D) From Gearbox **6757127** (E) Up to Gearbox **6932500** (F) From Gearbox **6932501**

(G - H) To be coupled together

(I) **Old style with 4 fins** not listed in the catalogue. The old ring 391804 (fig.42) and the **old Synchro ring 373272** (fig.41) can be replaced by:  
 1 pc. **169.740 - 1401622** (Fig.42) + 1 pc. **119.146 - 1401620** (Fig.41)

(\*) **Old and New Generation.** Can be replaced by Synchro rebuilt kit **298.188** (Latest Gen.) shown in the next table.

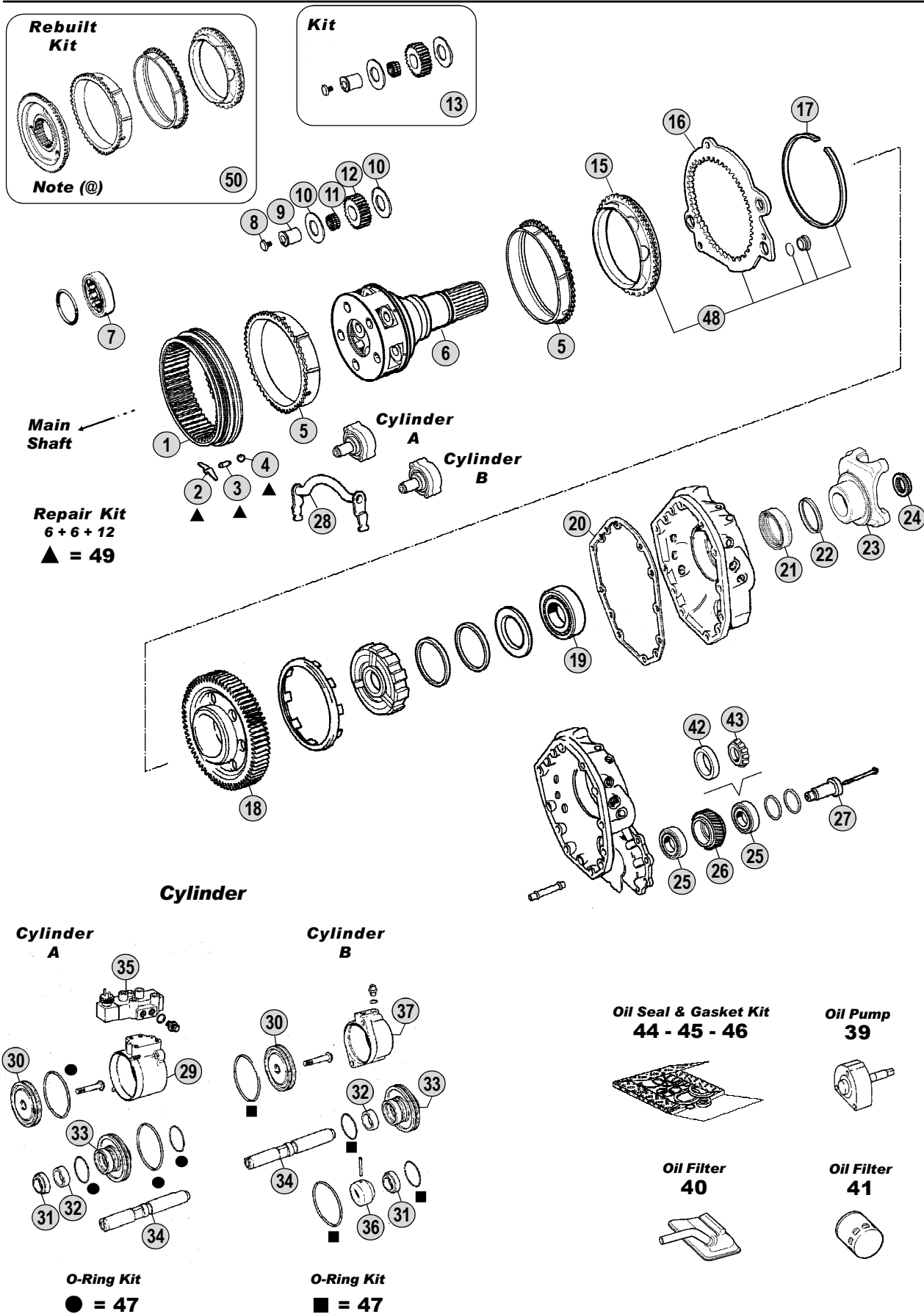
(@) **LATEST GENERATION.** To be coupled together.

**Date**

05 / 2010

**Table****0130**

Adattabile a : **SCANIA GRS890 - GRS890R** (W/Retarder)  
 Suitable To :



Models

**Serie 4**

94C - 94D - 94G - 94L

114C - 114G - 114L - 124C - 124G - 124L



Fig.	Rif. SCANIA	Description	Q.ty	Note	GRS890	GRS890R			
1	1118030	Crown Gear 66 T	1		●	●			
2	1395039	Spring	6		●	●			
3	1332508	Pin	6		●	●			
4	871702	Ball	12		●	●			
5	1395624	Synchronizer Ring	2	(*) Old Generation	●	●			
5	1770058	Synchronizer Ring	2	(*) New Generation	●	●			
5	1883363	Synchronizer Ring	2	(@) Latest Generation	●	●			
6	1318221	Planetary Carrier	1	Complete	●				
6	1318225	Planetary Carrier	1	Complete		●			
7	1300596	Bearing	1			●			
8	1318714	Screw	5		●	●			
9	1318713	Pin	5		●	●			
10	389419	Washer	10		●	●			
11	389434	Needle Bearing	5		●	●			
12	1373174	Planet Pinion 20 T	5		●	●			
13	CEI 198849	Repair kit	5		●	●			
15	1323147	Synchronizer Cone	1	(*) Old Generation	●	●			
15	1788170	Synchronizer Cone	1	(*) New Generation	●	●			
15	1883350	Synchronizer Cone	1	(@) Latest Generation	●	●			
16	1323145	Saddle Plate	1		●	●			
17	1302665	Snap Ring	1		●	●			
18	1426758	Retarder Gear 70 T	1			●			
19	1783324	Bearing D.60x130x31	1		●	●			
20	1305139	Gasket	1		●	●			
21	1502384	Oil Seal 85x105x13	1		●	●			
22	1300977	Dust Cover	1		●	●			
23	1340753	Output Flange	1	P30/300	●	●			
23	1422427	Output Flange	1	P40/400	●	●			
23	1422430	Output Flange	1	P50/P500	●	●			
23	1319646	Output Flange	1	P60/P600	●	●			
24	1525988	Nut M44x1,5	1		●	●			
25	361043	Bearing 40x85x33	2	Oem Old Type		●			
25	361043	Bearing 40x85x33	2	A.Market Old Type		●			
26	1373704	Gear 34 T	1			●			
27	1304747	Pin	1			●			
28	1491403	Fork	1		●	●			
29	1484808	Cylinder	1		●	●			
30	1303960	Piston	2		●	●			
31	1515869	Oil Seal Ring 22X28X5/8	2		●	●			
32	1303799	Bush	2		●	●			
33	1321239	Intermediate Element	2		●	●			
34	1332131	Shaft	2		●	●			
35	1488083	Solenoid Valve	1		●	●			
36	1337828	Sleeve	1		●	●			
36	1382339	Sleeve	1		●	●			

**Notes**

(\*) **Old and New Generation.** Can be replaced by Synchro rebuilt kit **298.188** (Fig.50).  
 (@) **LATEST GENERATION.** To be coupled together.

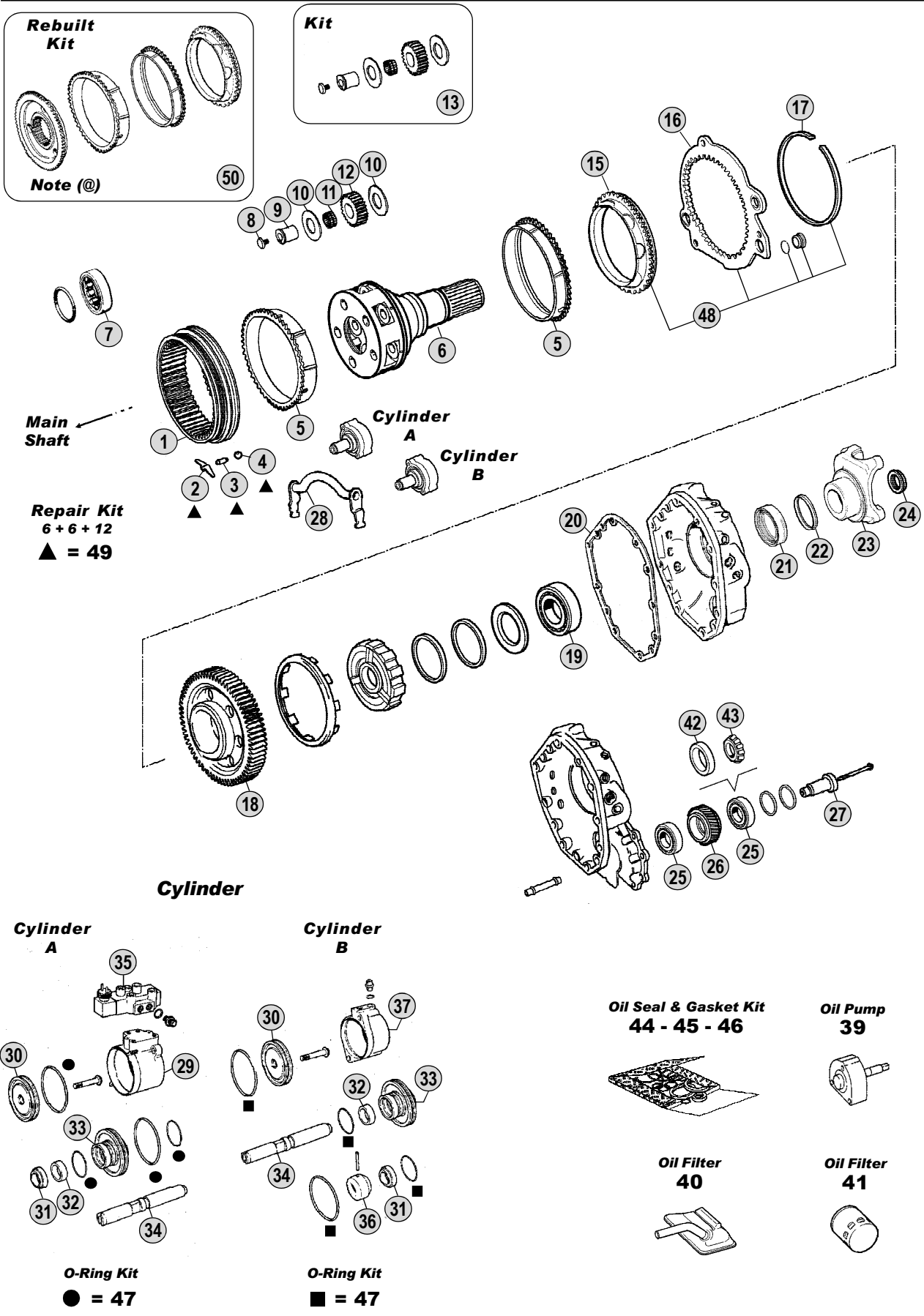
**Date**

05/ 2010

**Table****0135**



Adattabile a : **SCANIA GRS890 - GRS890R** (W/Retarder)  
Suitable To :



Models

**Serie 4**

**94C - 94D - 94G - 94L**

**114C - 114G - 114L - 124C - 124G - 124L**

GRS890

GRS890R

Fig.	Rif. SCANIA	Description	Q.ty	Note					
37	1484809	Cylinder	1		•	•			
39	1426449	Oil Pump	1		•	•			
40	1307097	Oil Filter	1		•	•			
41	1768402	Oil Filter	1		•	•			
42	1548819	Bearing Cone 85 mm	2	<b>Oem</b> New Type		•			
42	1548819	Bearing Cone 85 mm	2	<b>A.Market</b> New Type		•			
43	1883975	Roller Bearing 40x30 mm	2	New Type		•			
44	CEI 198850	Gasket kit	1	Only gaskets	•	•			
45	CEI 198851	Oil Seals Kit	1	Only oil seals	•	•			
46	550577	Oil Seal and Gasket Kit	1	Complete	•	•			
47	CEI 198957	Cylinder O-Ring Kit	1	For one cyl.	•	•			
48	CEI 198916	Engaging Ring Kit	1	Assy	•	•			
49	CEI 298033	Repair Kit	1		•	•			
50	CEI 298188	Synchro Rebuilt Kit	1	(@)	•	•			

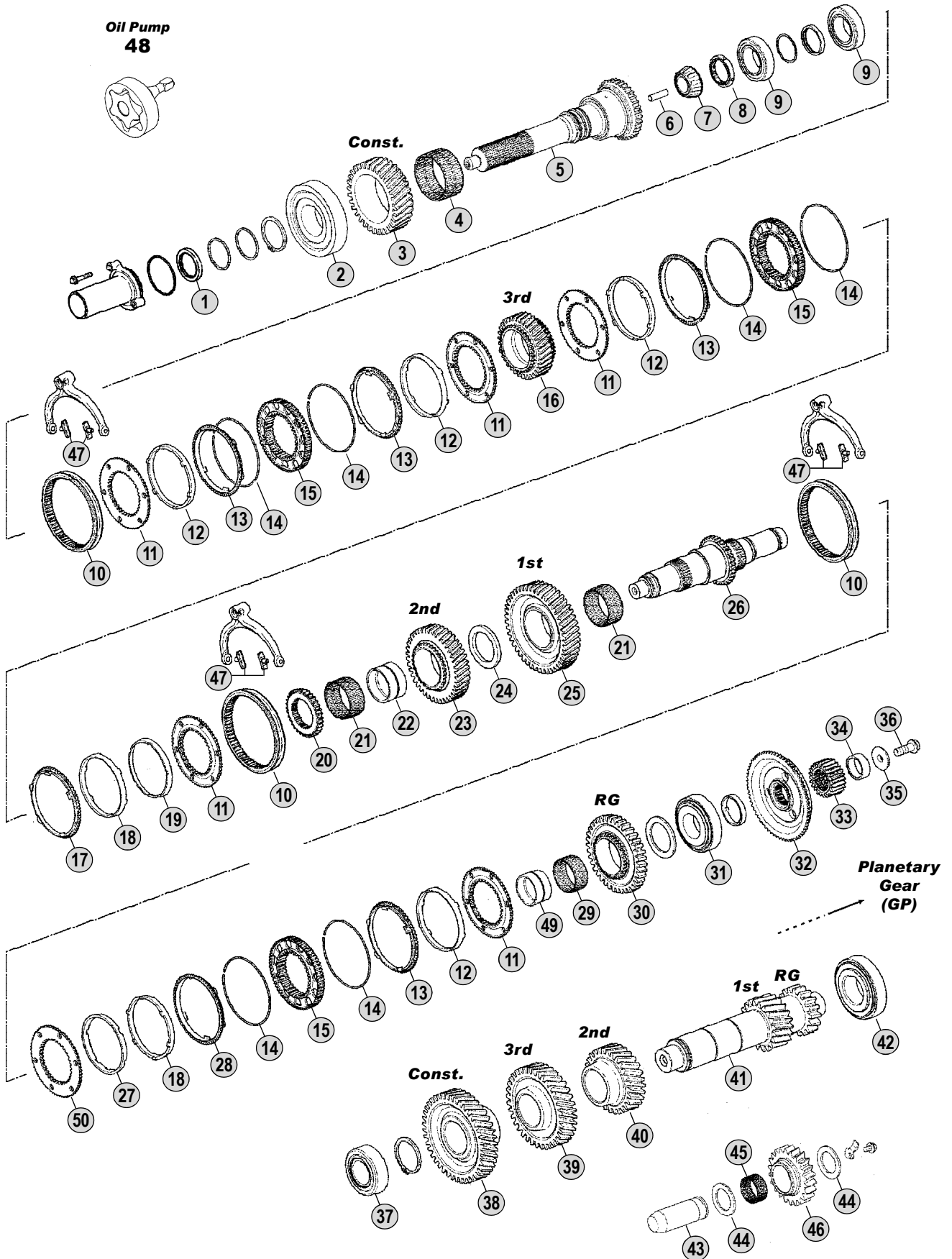
**Notes**

(\*) **Old and New Generation.** Can be replaced by Synchro rebuilt kit 298.188 (Fig.50).  
 (@) **LATEST GENERATION.** To be coupled together.

**Date**  
 05/ 2010  
**Table**

**0135**

Adattabile a : **SCANIA GRS895-GRS895R (W/Retarder)**  
Suitable To :



Models

**Serie P - Serie R**

**P230 - P270 - P310 - P340**

**R230 - R270 - R310 - R340**

Fig.	Rif. SCANIA	Description	Q.ty	Note	GRS895	GRS895R			
1	1443189	Oil seal	1		●	●			
2	1327878	Bearing D.65x150x40	1	Oem	●	●			
2	1327878	Bearing D.65x150x40	1	A.Market	●	●			
3	1476192	Constant Gear	1		●	●			
4	372778	Needle Cage 92X100X44	1		●	●			
5	1769962	Input Shaft	1		●	●			
5	1772368	Input Shaft	1	EK-PTO	●	●			
6	1762675	Tube	1		●	●			
7	1883975	Roller Bearing 40x30 mm	1		●	●			
8	1461414	Nut	1		●	●			
9	1548056	Bearing	2	Oem	●	●			
9	1548056	Bearing	2	A.Market	●	●			
10	1752963	Sliding Sleeve	3		●	●			
11	1495269	Synchronizer Cone	5		●	●			
12	1849451	Intermediate Synchro Ring	4		●	●			
13	1543357	Synchronizer Ring	4		●	●			
14	1730173	Ring	6		●	●			
15	1788922	Synchronizer Hub	3		●	●			
16	1476204	Gear 3rd Speed	1		●	●			
17	1543359	Synchronizer Ring	1		●	●			
18	1849454	Intermediate Synchro Ring	2		●	●			
19	1849457	Intermediate Synchro Ring	1		●	●			
20	1789137	Fixed Hub	1		●	●			
21	1774165	Needle Cage	2		●	●			
22	1769457	Bush	1		●	●			
23	1776319	Gear 2nd Speed	1		●	●			
24	1490886	Washer	1		●	●			
25	1476220	Gear 1st Speed	1		●	●			
26	1476322	Main Shaft	1		●	●			
27	1849460	Intermediate Synchro Ring	1		●	●			
28	1543361	Synchronizer Ring	1		●	●			
29	1476286	Needle Cage	1		●	●			
30	1476236	Reverse Gear	1		●	●			
31	1327878	Bearing D.65x150x40	1	Oem	●	●			
31	1327878	Bearing D.65x150x40	1	A.Market	●	●			
32	1491227	Synchronizer Cone	1	(*) Old Generation	●	●			
32	1788171	Synchronizer Cone	1	(*) New Generation	●	●			
32	1883352	Synchronizer Cone	1	(@) Latest Generation	●	●			
33	1476324	Sun Gear	1		●	●			
34	1408485	Spacer	1		●	●			
36	1425205	Screw	1		●	●			
37	1534829	Bearing	1		●	●			
38	1476254	Constant Gear	1		●	●			
39	1476258	Gear 3rd Speed	1		●	●			
40	1476266	Gear 2nd Speed	1		●	●			

**Notes**

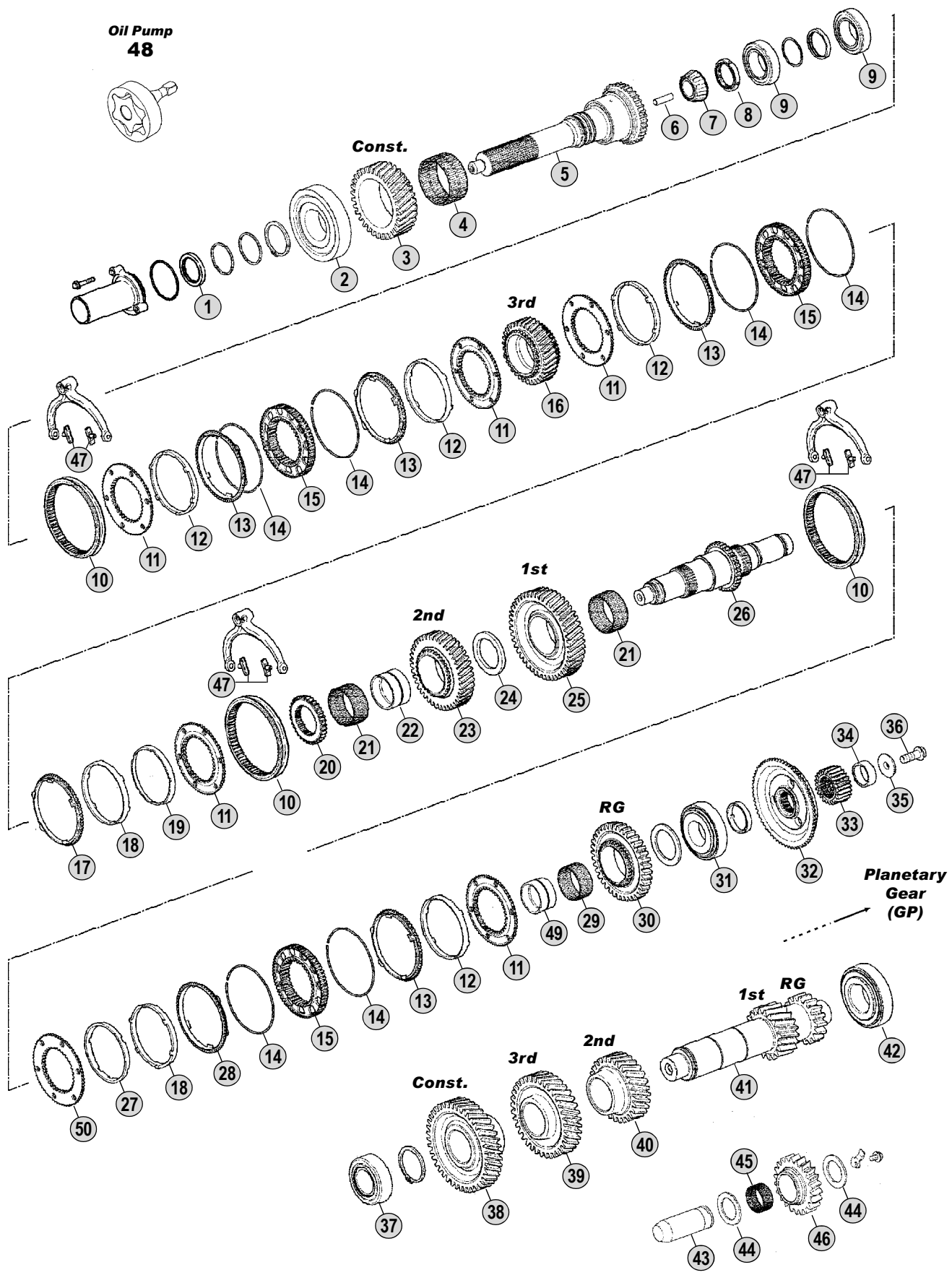
(\*) **Old and New Generation.** Can be replaced by Synchro rebuilt kit **298.189** (Latest Gen.) shown in the next table.  
 (@) **LATEST GENERATION.** To be coupled together

**Date**

05 / 2010

**Table****0140**

Adattabile a : **SCANIA GRS895-GRS895R (W/Retarder)**  
Suitable To :



Models

**Serie P - Serie R**

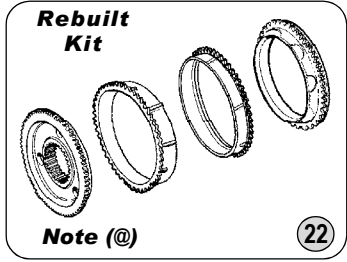
**P230 - P270 - P310 - P340**

**P230 - R270 - R310 - R340**

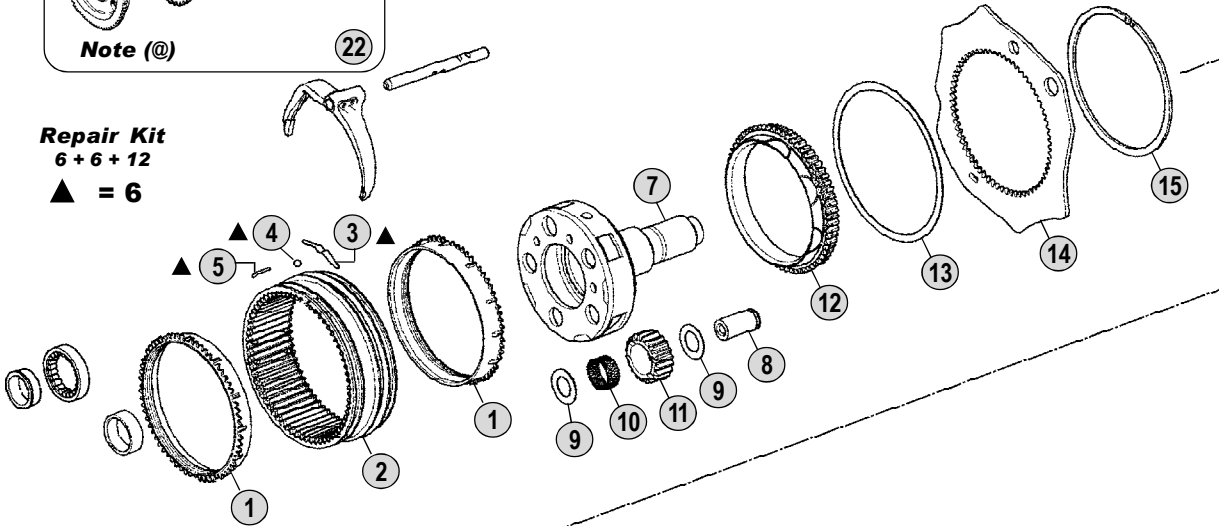




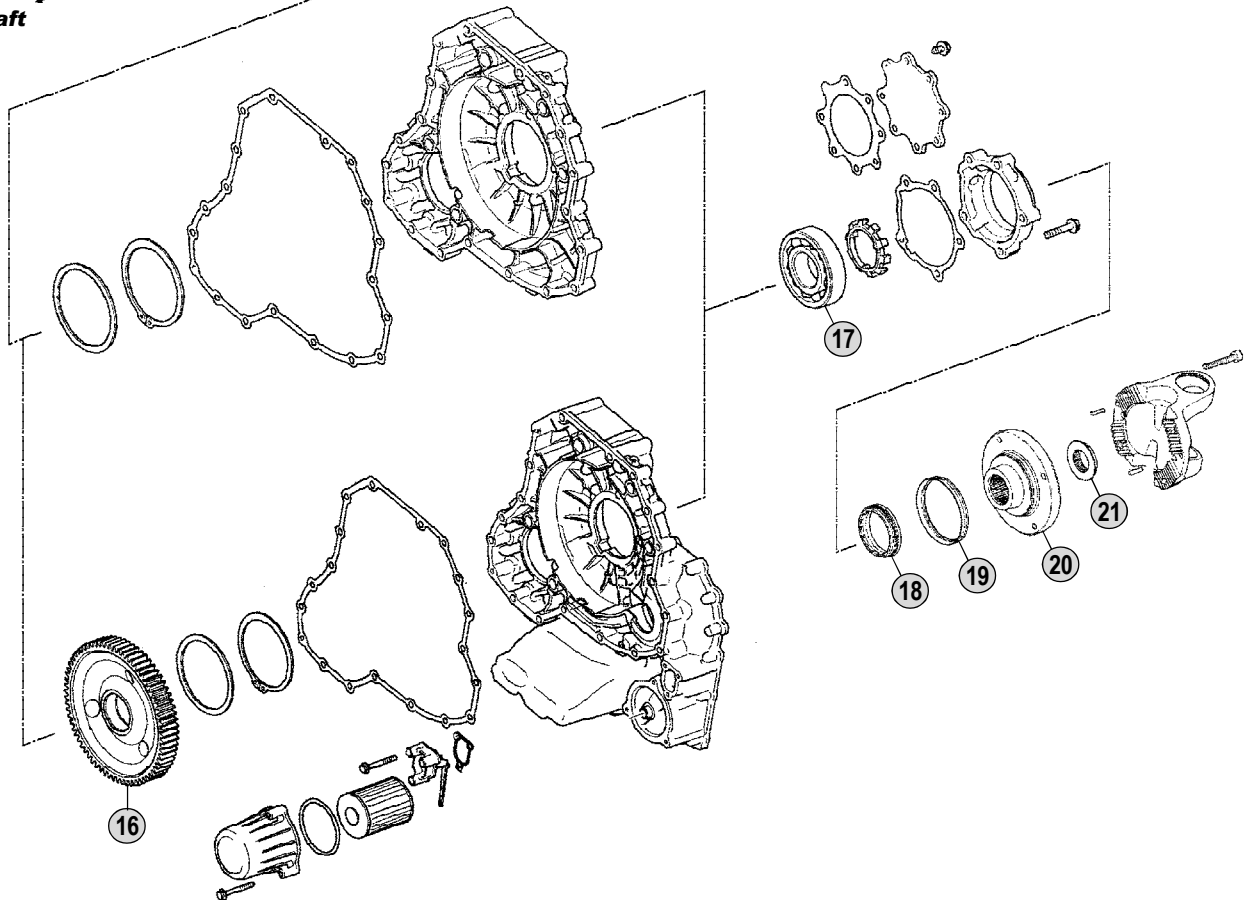
Adattabile a : **SCANIA GRS895-GRS895R** (W/Retarder)  
Suitable To :



**Repair Kit**  
6+6+12  
▲ = 6



**Main Shaft**



Models

**Serie P - Serie R**

**P340**

**R340**





Adattabile a : **SCANIA GR900(H) - GR900R (W/Retarder)**  
 Suitable To :

**Oil Seal & Gasket Kit**  
**74 - 75 - 76**



**Oil Pump**  
**69**



**Oil Filter**  
**70**

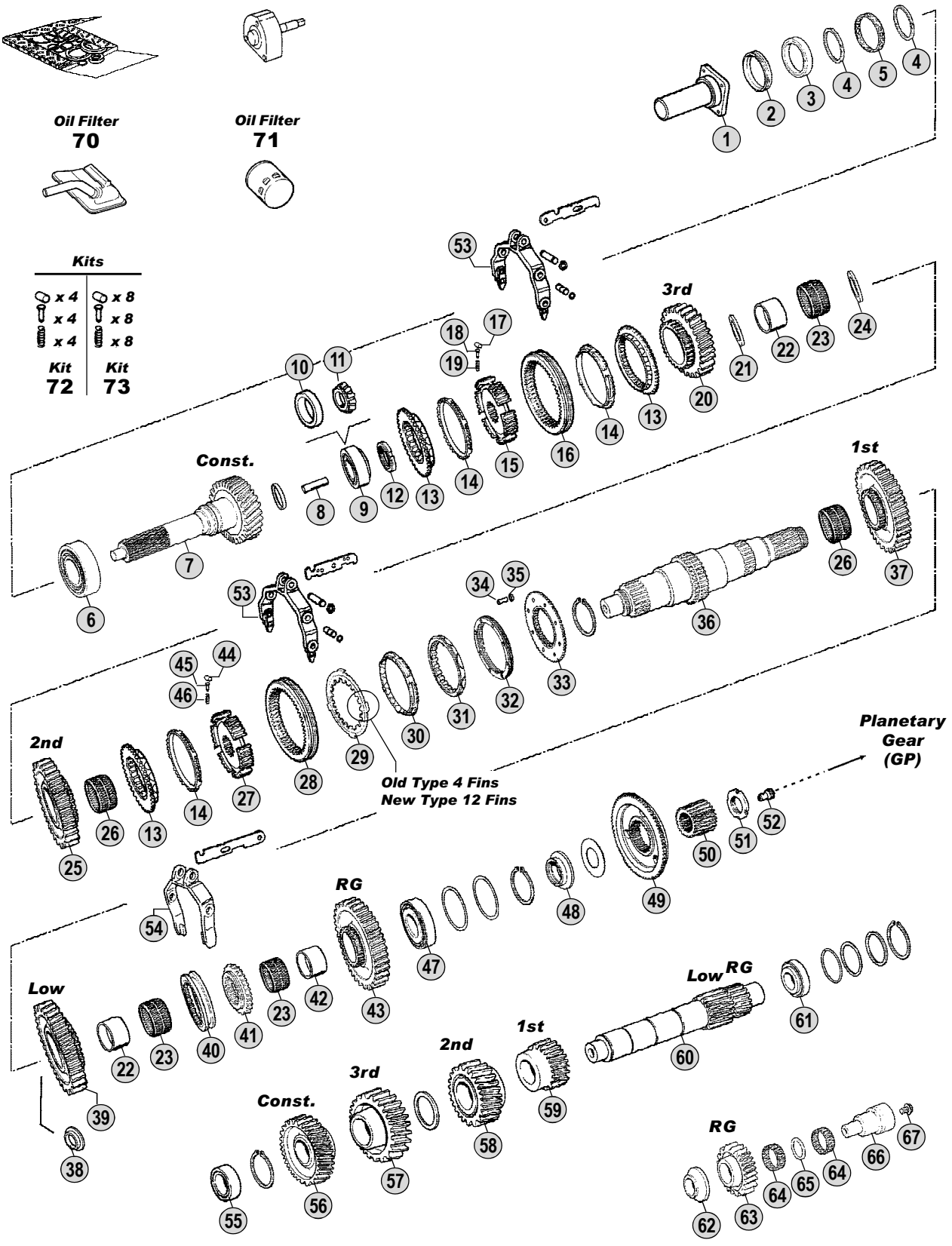


**Oil Filter**  
**71**



**Kits**

x 4	x 8
x 4	x 8
x 4	x 8
<b>Kit</b> <b>72</b>	<b>Kit</b> <b>73</b>



**Models**

**Serie 3 - Serie 4**

**G93 - P93 - R93 - T93 - P113 - R113 - T113 - R143 - T143**

**94C/D/G/L - 114C/G/L - 124C/G/L - 144C/G/L**

Fig.	CEI no.	Rif. SCANIA	Description	Q.ty	Note					
						GR900	GRH900	GR900R		
1	135.156	1103934	Cover	1		●	●	●		
2	139.569	378613	V-Ring D.45	1		●	●	●		
3	139.567	1318388	Oil Seal 55x75x9	1		●	●	●		
4	139.582	1515004	Ring	2		●	●	●		
5	139.583	1114315	Ring	1		●	●	●		
6	130.528	1327878	Bearing D.65x150x40	1	Oem	●	●	●		
6	530.528	1327878	Bearing D.65x150x40	1	A.Market	●	●	●		
7	102.335	1377308	Input Shaft 26 T	1		●	●	●		
7	102.336	1378580	Input Shaft 26 T	1	EK-PTO	●	●	●		
8	189.502	315060	Oil tube	1		●	●	●		
9	130.621	361043	Bearing 40x85x33	1	Oem Old Type	●	●	●		
9	530.621	361043	Bearing 40x85x33	1	A.Market Old Type	●	●	●		
10	130.529	1548819	Bearing Cone 85 mm	1	Oem New Type	●	●	●		
10	530.529	1548819	Bearing Cone 85 mm	1	A.Market New Type	●	●	●		
11	130.530	1883975	Roller Bearing 40x30 mm	1	New Type	●	●	●		
12	187.647	1461414	Nut	1		●	●	●		
13	109.165	1116477	Synchronizer Cone	3		●	●	●		
14	119.145	1382465	Synchronizer Ring	3	(C)	●	●	●		
14	119.236	1756447	Synchronizer Ring	3	(D)	●	●	●		
15	157.662	1121658	Synchronizer Hub	1		●	●	●		
16	154.194	369906	Sliding Sleeve	1	(C)	●	●	●		
16	154.386	1529939	Sliding Sleeve	1	(D)	●	●	●		
17	160.198	374334	Roller	4		●	●	●		
18	160.199	369910	Pin	4		●	●	●		
19	156.177	369911	Spring	4		●	●	●		
20	145.750	1109586	Gear 3rd Speed 30 T	1		●	●	●		
21	169.911	1109585	Spacer	1		●	●	●		
22	117.366	1304852	Bush	2		●	●	●		
23	137.170	378628	Needle Cage D.80x88x40	3		●	●	●		
24	169.905	1104049	Spacer	1		●	●	●		
25	145.751	1109588	Gear 2nd Speed 32 T	1		●	●	●		
26	137.171	378616	Needle Cage D.80x88x55	2		●	●	●		
27	157.552	1376499	Synchronizer Hub	1		●	●	●		
28	154.195	1111295	Sliding Sleeve 1st-2nd Speed	1	(C)	●	●	●		
28	154.386	1529939	Sliding Sleeve	1	(D)	●	●	●		
29	169.740	1401622	Driver Plate	1	(C)(1) New Style 12 Fins	●	●	●		
29	169.848	1533848	Driver Plate	1	(D)	●	●	●		
30	119.146	1401620	Synchronizer Ring	1	(C)(1) New Style 12 Fins	●	●	●		
30	119.202	1529950	Synchronizer Ring	1	(D)	●	●	●		
31	119.203	1438526	Synchronizer Ring	1		●	●	●		
32	119.147	1383895	Intermediate Synchro Ring	1	(C)	●	●	●		
32	119.235	1466318	Intermediate Synchro Ring	1	(D)	●	●	●		
33	109.166	1300061	Synchronizer Cone	1		●	●	●		
34	160.193	1340002	Pin	8		●	●	●		
35	111.197	383138	Lock Ring	8		●	●	●		

## Notes

- (A) Up to gearbox no. 6669319 (B) From gearbox no. 6669320  
 (C) Standard Generation. Use items marked (C) together.  
 (D) LATEST GENERATION. Use items marked (D) together.  
 (1) Old style with 4 fins not listed in the catalogue. The old ring 391804 (fig.29) and the old Synchro ring 373272 (fig.30) can be replaced by :  
 1 pc. 169.740 - 1401622 (Fig.29) + 1 pc. 119.146 - 1401620 (Fig.30)  
 (\*) Old and New Gen. Can be replaced by synchro rebuild kit 298.188 (Latest Gen.) shown in the next table  
 (@) LATEST GENERATION. To be coupled together.

Date

05 / 2010

Table

0150

Adattabile a : **SCANIA GR900(H) - GR900R (W/Retarder)**  
 Suitable To :

**Oil Seal & Gasket Kit**  
**74 - 75 - 76**



**Oil Pump**  
**69**



**Oil Filter**  
**70**

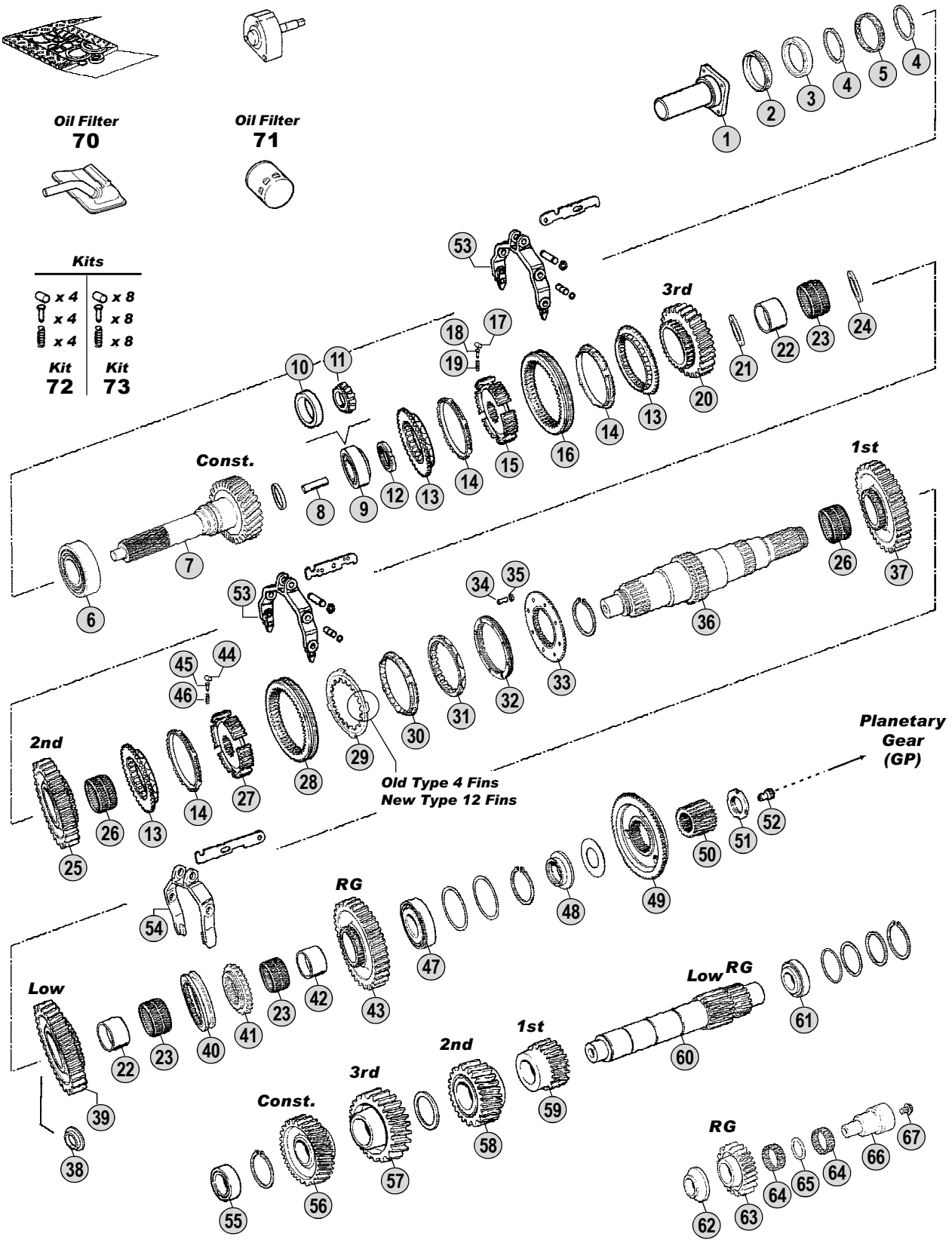


**Oil Filter**  
**71**



**Kits**

x 4	x 8
x 4	x 8
x 4	x 8
<b>Kit</b> <b>72</b>	<b>Kit</b> <b>73</b>



**Models**

**Serie 3 - Serie 4**

**G93 - P93 - R93 - T93 - P113 - R113 - T113 - R143 - T143**

**94C/D/G/L - 114C/G/L - 124C/G/L - 144C/G/L**

Fig.	Rif. SCANIA	Description	Q.ty	Note						
					GR900	GRH900	GR900R			
36	1325345	Main Shaft	1	(A)	●	●	●			
36	1387295	Main Shaft	1	(B)	●	●	●			
37	1846635	Gear 1st Speed 35 T	1		●	●	●			
38	1109594	Spacer	1		●	●	●			
39	1109592	Gear Low 38 T	1		●	●	●			
40	378646	Sliding Sleeve	1		●	●	●			
41	378627	Fixed Hub	1		●	●	●			
42	1304853	Bush	1		●	●	●			
43	1111899	Reverse Gear Z 37	1		●	●	●			
44	374334	Roller	4		●	●	●			
45	369910	Pin	4		●	●	●			
46	369911	Spring	4		●	●	●			
47	1327878	Bearing D.65x150x40	1	Oem	●	●	●			
47	1327878	Bearing D.65x150x40	1	A.Market	●	●	●			
48	1113910	Spacer	1		●	●	●			
49	1304850	Synchronizer Cone	1	(*) Old Generation	●	●	●			
49	1789444	Synchronizer Cone	1	(*) New Generation	●	●	●			
49	1883354	Synchronizer Cone	1	(@) Latest Generation	●	●	●			
50	1459308	Sun Gear 24 T	1		●	●				
50	1459309	Sun Gear 24 T	1				●			
51	1461417	Nut	1		●	●				
51	1461416	Nut	1				●			
52	1314986	Oil Plug	1	(A)	●	●	●			
52	1387297	Oil Plug	1	(B)	●	●	●			
53	1327286	Fork	2		●	●	●			
54	1305971	Fork	1		●	●	●			
55	1903570	Bearing D.50x100x37,65	1	Oem	●	●	●			
55	1903570	Bearing D.50x100x37,65	1	A.Market	●	●	●			
56	1322290	Constant Gear 40 T	1		●	●	●			
57	1322291	Gear 3rd Speed 34 T	1		●	●	●			
58	1322292	Gear 2nd Speed 26 T	1		●	●	●			
59	1322293	Gear 1st Speed 20 T	1		●	●	●			
60	1109595	Countershaft 13 T	1		●	●	●			
61	1357711	Bearing 60X130X33,5	1	Oem	●	●	●			
61	1357711	Bearing 60X130X33,5	1	A.Market	●	●	●			
62	378614	Washer	1		●	●	●			
63	1111901	Reverse Gear 23 T	1		●	●	●			
64	378615	Needle Cage D.50x62x21,5	2		●	●	●			
65	380109	Spacer	1		●	●	●			
66	1510337	Reverse Pin	1		●	●	●			
67	812534	Screw	1		●	●	●			
69	1426449	Oil Pump	1		●	●	●			
70	1307097	Oil Filter	1		●	●	●			
71	1768402	Oil Filter	1		●	●	●			
72	]EI 198847	Roller-Pins and Springs kit	1		●	●	●			

## Notes

- (A) Up to gearbox no. 6669319 (B) From gearbox no. 6669320  
 (C) Standard Generation. Use items marked (C) together.  
 (D) LATEST GENERATION. Use items marked (D) together.  
 (1) Old style with 4 fins not listed in the catalogue. The old ring 391804 (fig.29) and the old Synchro ring 373272 (fig.30) can be replaced by:  
 1 pc. 169.740 - 1401622 (Fig.29) + 1 pc. 119.146 - 1401620 (Fig.30)  
 (\*) Old and New Gen. Can be replaced by synchro rebuild kit 298.188 (Latest Gen.) shown in the next table  
 (@) LATEST GENERATION. To be coupled together.

## Date

05 / 2010

## Table

0150

Adattabile a : **SCANIA GR900(H) - GR900R (W/Retarder)**  
 Suitable To :

**Oil Seal & Gasket Kit**  
**74 - 75 - 76**



**Oil Pump**  
**69**



**Oil Filter**  
**70**

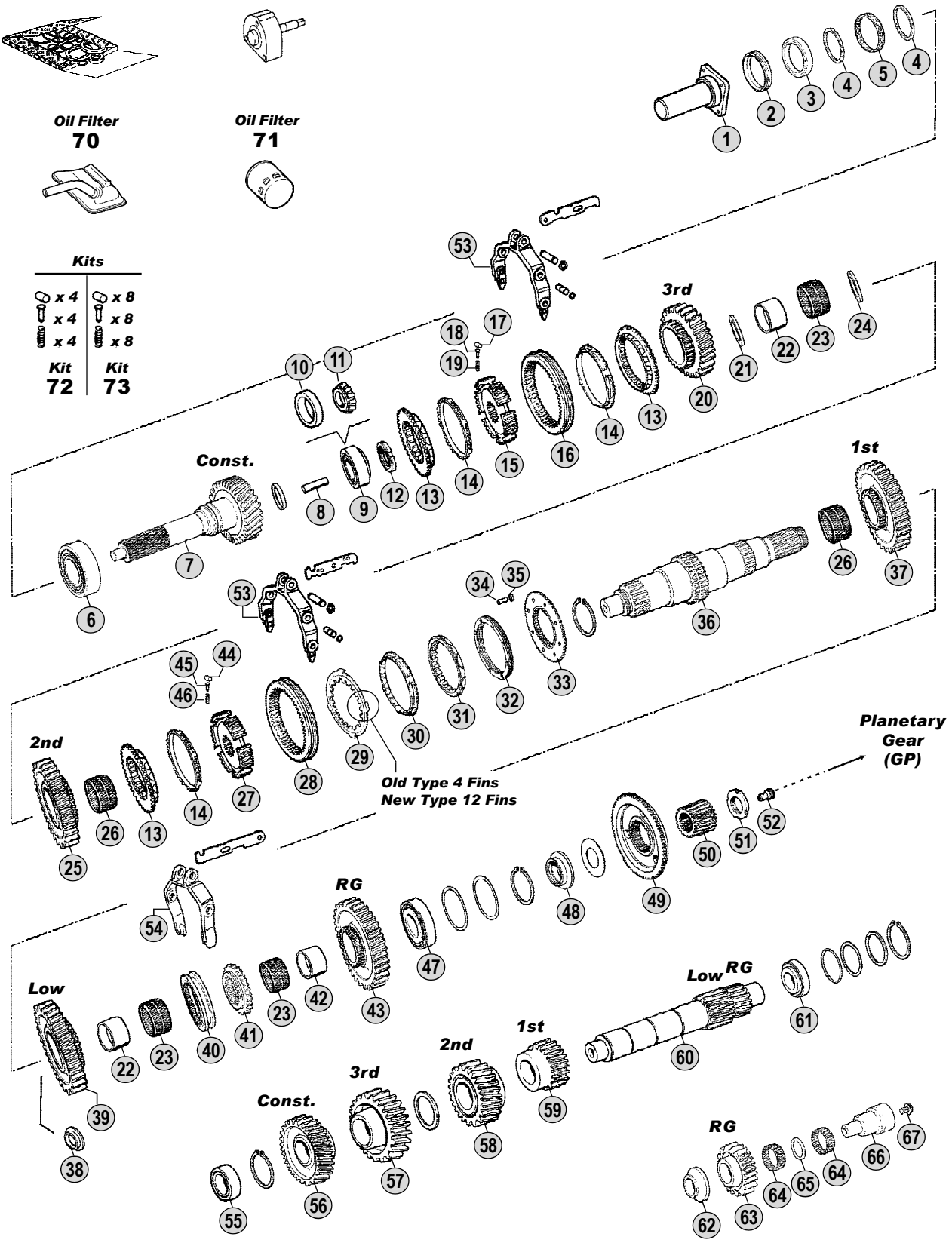


**Oil Filter**  
**71**



**Kits**

x 4	x 8
x 4	x 8
x 4	x 8
<b>Kit</b> <b>72</b>	<b>Kit</b> <b>73</b>



**Models**

**Serie 3 - Serie 4**

**G93 - P93 - R93 - T93 - P113 - R113 - T113 - R143 - T143**

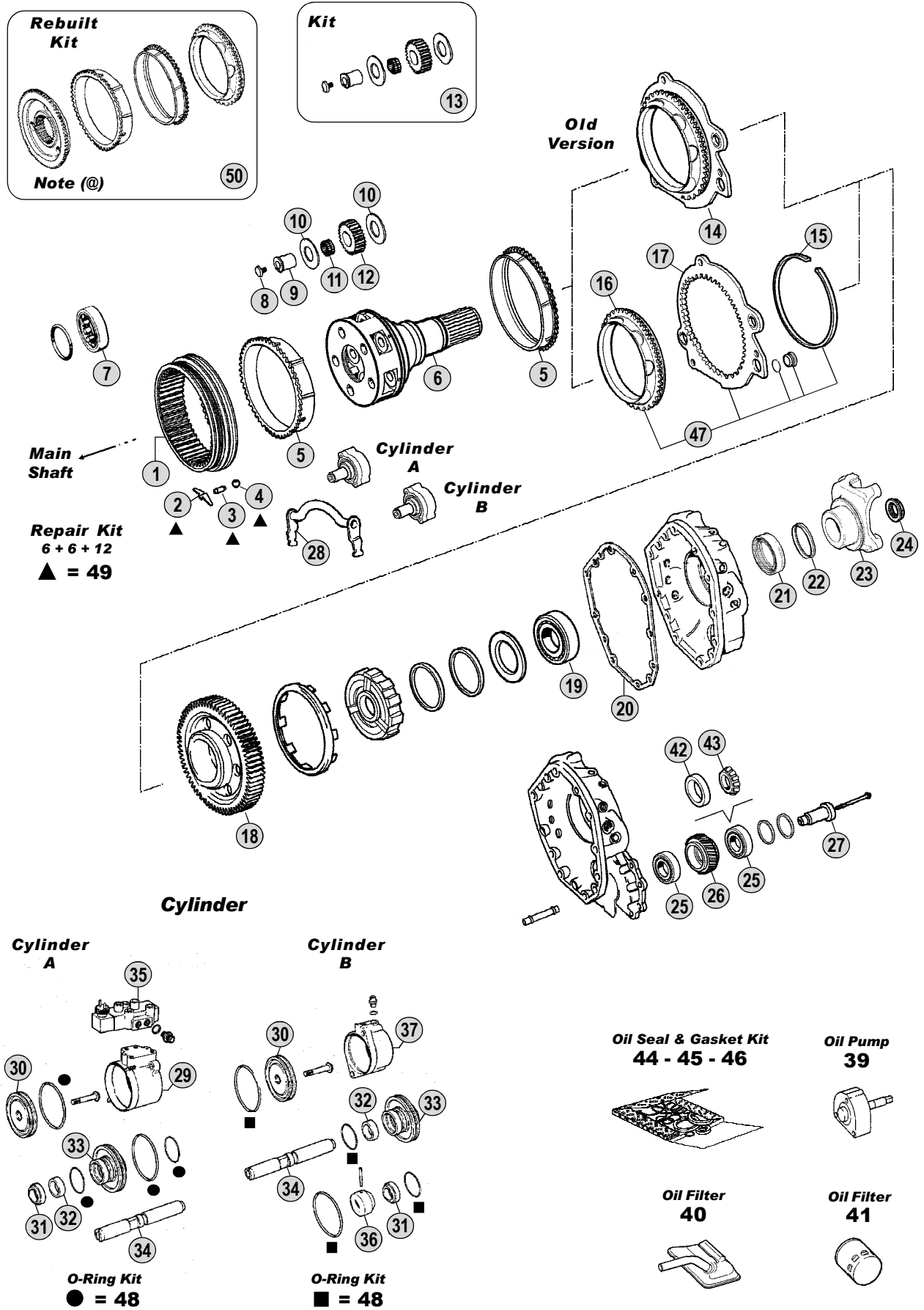
**94C/D/G/L - 114C/G/L/ - 124C/G/L - 144C/G/L**







# Adattabile a: **SCANIA GR900(H) - GR900R (W/Retarder)** Suitable To:



Models

## Serie 3 - Serie 4

G93 - P93 - R93 - T93 - P113 - R113 - T113 - R143 - T143

94C/D/G/L - 114C/G/L - 124C/G/L - 144C/G/L

Fig.	Rif. SCANIA	Description	Q.ty	Note						
					GR900	GRH900	GR900R			
1	1118030	Crown Gear 66 T	1		●	●	●			
2	1395039	Spring	6		●	●	●			
3	1332508	Pin	6		●	●	●			
4	871702	Ball	12		●	●	●			
5	1395624	Synchronizer Ring	2	(*) Old Generation	●	●	●			
5	1770058	Synchronizer Ring	2	(*) New Generation	●	●	●			
5	1883363	Synchronizer Ring	2	(@) Latest Generation	●	●	●			
6	1318221	Planetary Carrier	1	Complete	●	●				
6	1318225	Planetary Carrier	1	Complete			●			
7	1300596	Bearing	1				●			
8	1318714	Screw	5		●	●	●			
9	1318713	Pin	5		●	●	●			
10	389419	Washer	10		●	●	●			
11	389434	Needle Bearing	5		●	●	●			
12	1373174	Planet Pinion 20 T	5		●	●	●			
13	CEI 198849	Repair kit	5		●	●	●			
14	1308176	Synchro Kit	1	(1) Old Type	●	●	●			
15	1302665	Snap Ring	1		●	●	●			
16	1323147	Synchronizer Cone	1	(*) Old Generation	●	●	●			
16	1788170	Synchronizer Cone	1	(*) New Generation	●	●	●			
16	1883350	Synchronizer Cone	1	(@) Latest Generation	●	●	●			
17	1323145	Saddle Plate	1		●	●	●			
18	1426758	Retarder Gear 70 T	1				●			
19	1783324	Bearing D.60x130x31	1		●	●	●			
20	1305139	Gasket	1		●	●	●			
21	1502384	Oil Seal 85x105x13	1		●	●	●			
22	1300977	Dust Cover	1		●	●	●			
23	1340753	Output Flange	1	P30/300	●	●	●			
23	1422427	Output Flange	1	P40/400	●	●	●			
23	1422430	Output Flange	1	P50/P500	●	●	●			
23	1319646	Output Flange	1	P60/P600	●	●	●			
24	1525988	Nut M44x1,5	1		●	●	●			
25	361043	Bearing 40x85x33	2	Oem Old Type			●			
25	361043	Bearing 40x85x33	2	A.Market Old Type			●			
26	1373704	Gear 34 T	1				●			
27	1304747	Pin	1				●			
28	1491403	Fork	1		●	●	●			
29	1484808	Cylinder	1		●	●	●			
30	1303960	Piston	2		●	●	●			
31	1515869	Oil Seal Ring 22X28X5/8	2		●	●	●			
32	1303799	Bush	2		●	●	●			
33	1321239	Intermediate Element	2		●	●	●			
34	1332131	Shaft	2		●	●	●			
35	1488083	Solenoid Valve	1		●	●	●			
36	1337828	Sleeve	1		●	●	●			

**Notes**

(1) Old version replaced by :

1 pc. **135.126** 1323145 Saddle Plate (Fig.17)1 pc. **109.168** 1323147Synchro Cone (Fig.16)1 pc. **111.207** 1302665 Ring (Fig.15)

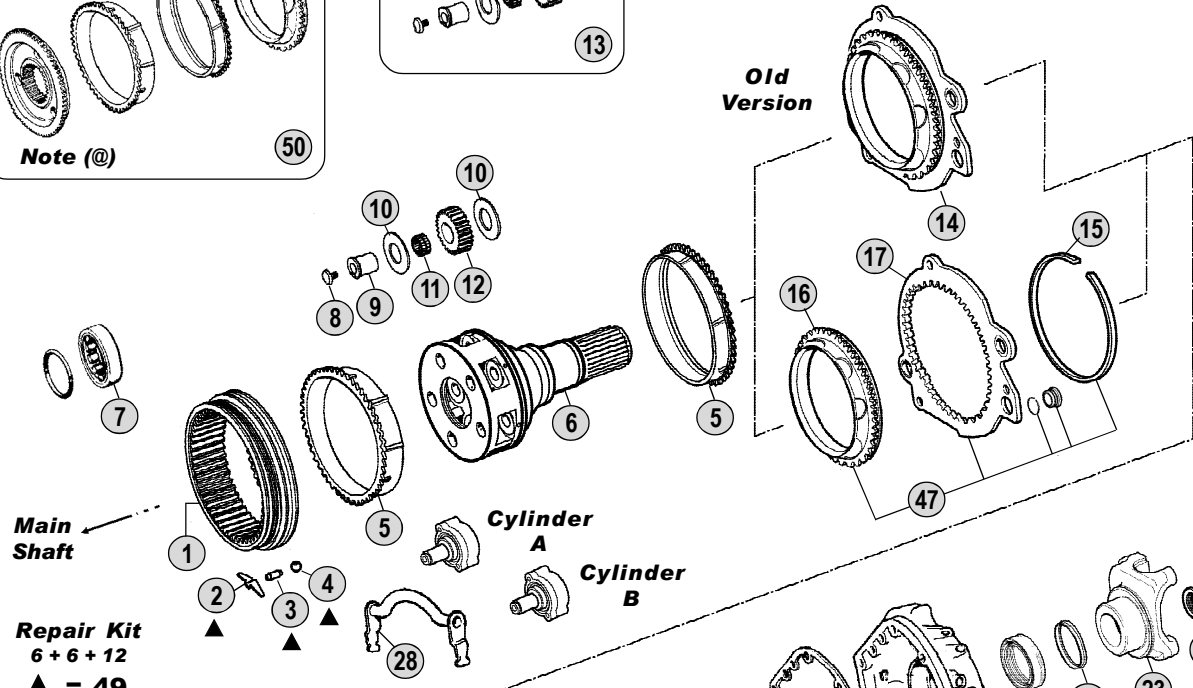
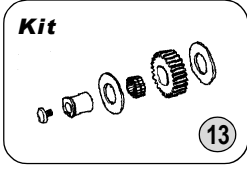
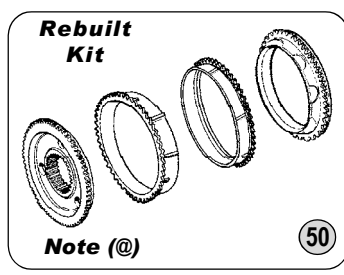
2 pc. 1305111 Ring + 2 pc. 1305109 Bush (Only in kit - See 198.916)

(\*) **Old and New Generation.** Can be replaced by Synchro rebuilt kit **298.188** (Fig.50)(@) **LATEST GENERATION.** To be coupled together.**Date**

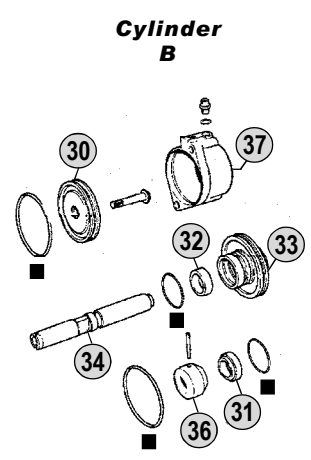
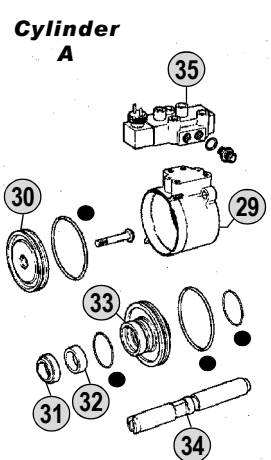
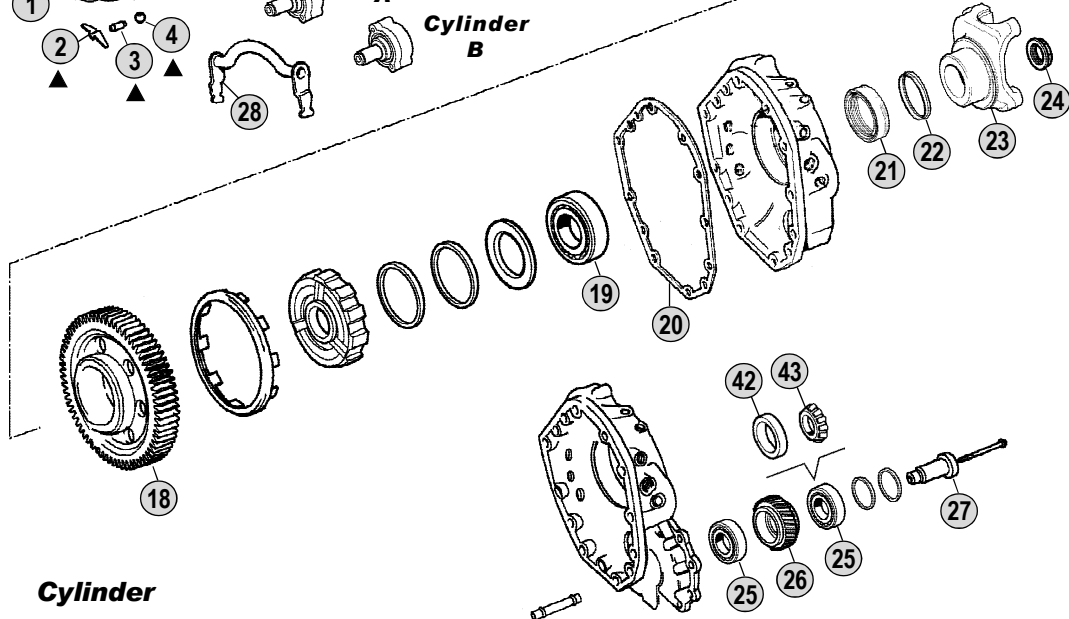
05 / 2010

**Table****0155**

Adattabile a: **SCANIA GR900(H) - GR900R (W/Retarder)**  
Suitable To:



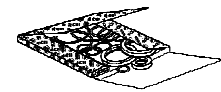
**Repair Kit**  
6 + 6 + 12  
▲ = 49



**O-Ring Kit**  
● = 48

**O-Ring Kit**  
■ = 48

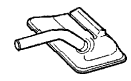
**Oil Seal & Gasket Kit**  
44 - 45 - 46



**Oil Pump**  
39



**Oil Filter**  
40



**Oil Filter**  
41



Models

**Serie 3 - Serie 4**

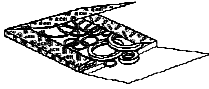
**G93 - P93 - R93 - T93 - P113 - R113 - T113 - R143 - T143**

**94C/D/G/L - 114C/G/L - 124C/G/L - 144C/G/L**



Adattabile a : **SCANIA GRS900(H)-GRS900R(H) (W/Retarder)**  
Suitable To :

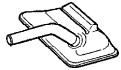
**Oil Seal & Gasket Kit**  
89 - 90 - 91



**Oil Pump**  
84



**Oil Filter**  
85

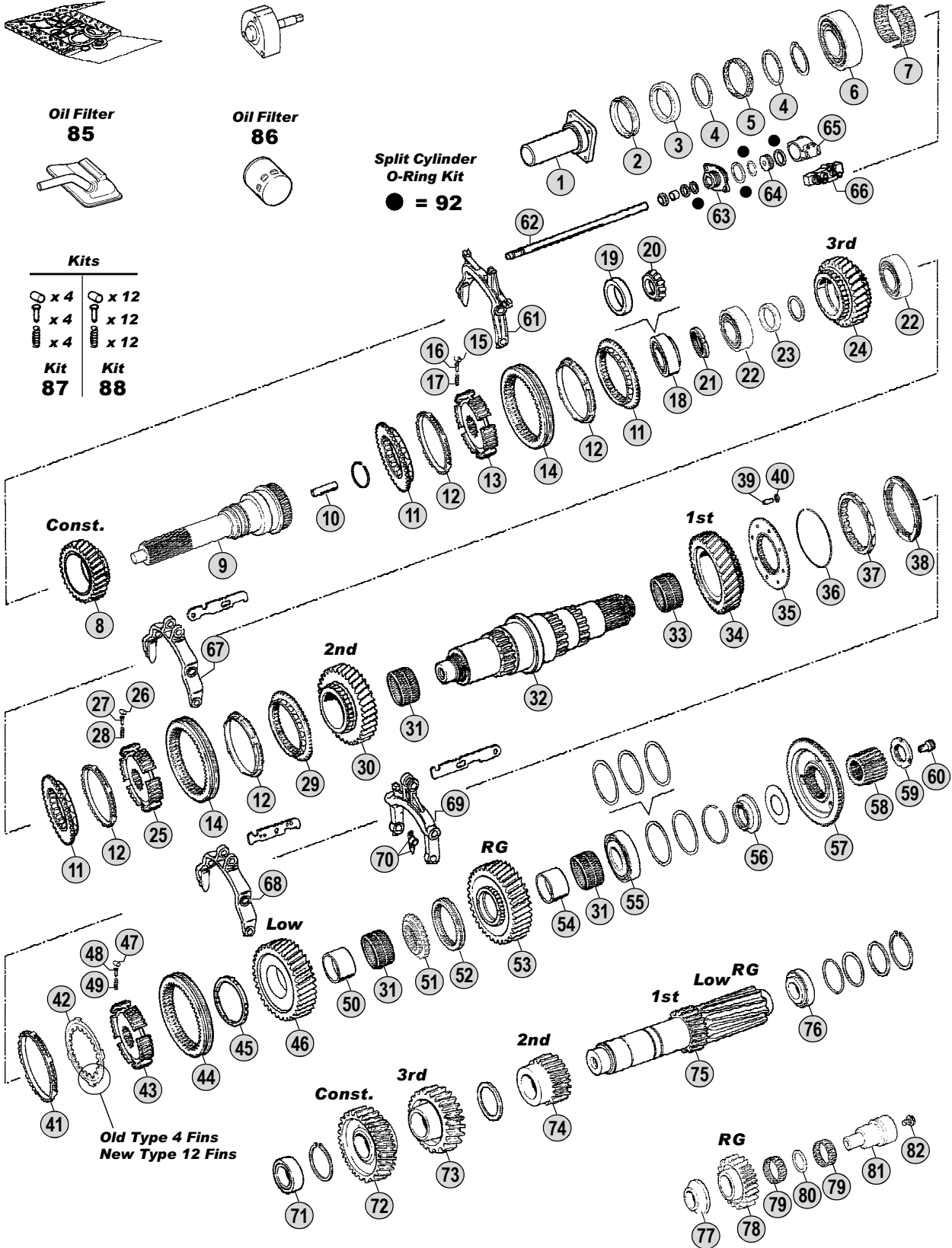


**Oil Filter**  
86



**Split Cylinder  
O-Ring Kit**  
● = 92

Kits	
x 4	x 12
x 4	x 12
x 4	x 12
<b>Kit 87</b>	<b>Kit 88</b>



**Models**

**Serie 3 - Serie 4**

**G93 - P93 - R93 - T93 - P113 - R113 - T113 - R143 - T143**

**94C/D/G/L - 114C/G/L - 124C/G/L - 144C/G/L - - 164(480)C/G/L**

Fig.	Rif. SCANIA	Description	Q.ty	Note				
					GRS900	GRSH900	GRS900R	GRSH900R
1	1103934	Cover	1		●	●	●	●
2	378613	V-Ring D.45	1	Exclud.EK models	●	●	●	●
3	1318388	Oil Seal 55x75x9	1		●	●	●	●
4	1515004	Ring	2		●	●	●	●
5	1114315	Ring	1		●	●	●	●
6	1327878	Bearing D.65x150x40	1	Oem	●	●	●	●
6	1327878	Bearing D.65x150x40	1	A.Market	●	●	●	●
7	372778	Needle Cage 92X100X44	1		●	●	●	●
8	1116457	Constant Gear 29 T	1		●	●	●	●
9	1377307	Input Shaft	1		●	●	●	●
9	1378579	Input Shaft	1	EK-PTO	●	●	●	●
10	315060	Oil tube	1		●	●	●	●
11	1116475	Synchronizer Cone	3		●	●	●	●
12	1382465	Synchronizer Ring	4	(G)	●	●	●	●
12	1756447	Synchronizer Ring	4	(H)	●	●	●	●
13	1376499	Synchronizer Hub	1		●	●	●	●
14	369906	Sliding Sleeve	2	(G)	●	●	●	●
14	1529939	Sliding Sleeve	2	(H)	●	●	●	●
15	374334	Roller	4		●	●	●	●
16	369910	Pin	4		●	●	●	●
17	369911	Spring	4		●	●	●	●
18	361043	Bearing 40x85x33	1	Oem Old Type	●	●	●	●
18	361043	Bearing 40x85x33	1	A.Market Old Type	●	●	●	●
19	1548819	Bearing Cone 85 mm	1	Oem New Type	●	●	●	●
19	1548819	Bearing Cone 85 mm	1	A.Market New Type	●	●	●	●
20	1883975	Roller Bearing 40x30 mm	1	New Type	●	●	●	●
21	1461414	Nut	1		●	●	●	●
22	1548056	Bearing	2	Oem	●	●	●	●
22	1548056	Bearing	2	A.Market	●	●	●	●
23	1302731	Spacer T.9,50 mm	1		●	●	●	●
23	1302732	Spacer T.9,52 mm	1		●	●	●	●
23	1302733	Spacer T.9,54 mm	1		●	●	●	●
23	1302734	Spacer T.9,56 mm	1		●	●	●	●
23	1302735	Spacer T.9,58 mm	1		●	●	●	●
24	1116459	Gear 3rd Speed	1	(A)	●	●	●	●
24	1367794	Gear 3rd Speed 32 T	1	(B)	●	●	●	●
25	1405981	Synchronizer Hub	1		●	●	●	●
26	374334	Roller	4		●	●	●	●
27	369910	Pin	4		●	●	●	●
28	369911	Spring	4		●	●	●	●
29	1116477	Synchronizer Cone	1		●	●	●	●
30	1116461	Gear 2nd Speed 35 T	1		●	●	●	●
31	378628	Needle Cage D.80x88x40	3		●	●	●	●
32	1325344	Main Shaft	1	(C)	●	●	●	●
32	1382978	Main Shaft	1	(D)	●	●	●	●

**Notes**

(A) Up to Gearbox **6745013** (B) From Gearbox **6745014** (C) Up to Gearbox **6757126**  
 (D) From Gearbox **6757127** (E) Up to Gearbox **6790605** (F) From Gearbox **6790606**  
 (G - H) To be coupled together

(1) Old style with 4 fins not listed in the catalogue. The old ring 391804 (fig.42) and the old Synchro ring 373272 (fig.41) can be replaced by:  
 1 pc. **169.740 - 1401622** (Fig.42) + 1 pc. **119.146 - 1401620** (Fig.41)

(\*) **Old and New Generation**. Can be replaced by Synchro rebuild kit **298.188** (Latest Gen.) shown in the next table  
 (©) **LATEST GENERATION**. To be coupled together.

**Date**

05 / 2010

**Table****0160**



Adattabile a : **SCANIA GRS900(H)-GRS900R(H) (W/Retarder)**  
 Suitable To :

**Oil Seal & Gasket Kit**  
**89 - 90 - 91**



**Oil Pump**  
**84**



**Oil Filter**  
**85**

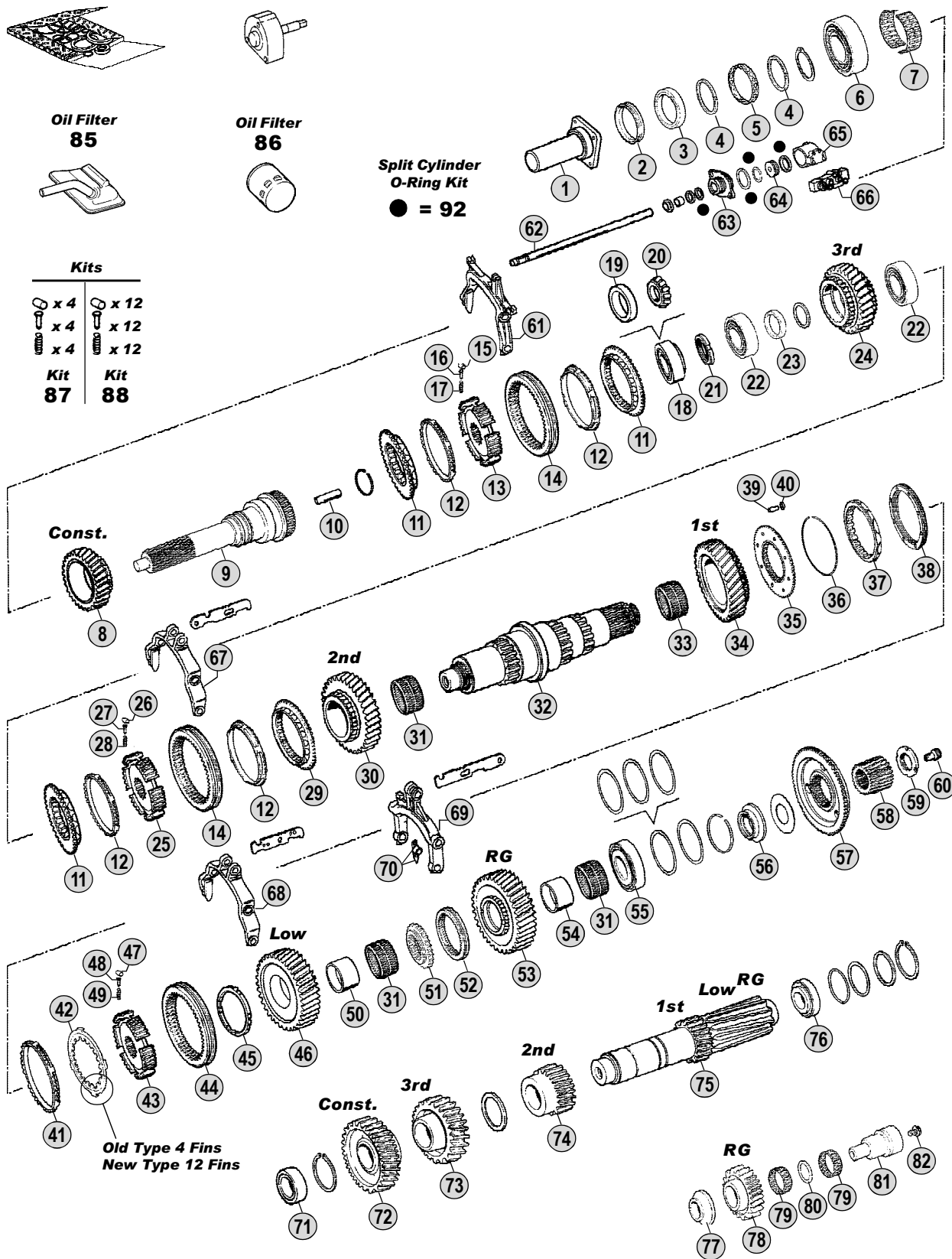


**Oil Filter**  
**86**



**Split Cylinder**  
**O-Ring Kit**  
 ● = 92

Kits	
x 4	x 12
x 4	x 12
x 4	x 12
<b>Kit 87</b>	<b>Kit 88</b>



**Models**

**Serie 3 - Serie 4**

**G93 - P93 - R93 - T93 - P113 - R113 - T113 - R143 - T143**

**94C/D/G/L - 114C/G/L - 124C/G/L - 144C/G/L - - 164(480)C/G/L**



Fig.	Rif. SCANIA	Description	Q.ty	Note				
					GRS900	GRSH900	GRS900R	GRSH900R
33	378616	Needle Cage D.80x88x55	1		●	●	●	●
34	1373172	Gear 1st Speed 39 T	1	(E)	●	●	●	●
34	1393876	Gear 1st Speed 44 T	1	(F)	●	●	●	●
35	1300061	Synchronizer Cone	1		●	●	●	●
36	1300065	Lock Ring	1	(E)	●	●	●	●
37	1438526	Synchronizer Ring	1		●	●	●	●
38	1383895	Intermediate Synchro Ring	1	(G)	●	●	●	●
38	1466318	Intermediate Synchro Ring	1	(H)	●	●	●	●
39	1340002	Pin	8		●	●	●	●
40	383138	Lock Ring	8		●	●	●	●
41	1401620	Synchronizer Ring	1	(G)(1) New Style 12 Fins	●	●	●	●
41	1529950	Synchronizer Ring	1	(H)	●	●	●	●
42	1401622	Driver Plate	1	(G)(1) New Style 12 Fins	●	●	●	●
42	1533848	Driver Plate	1	(H)	●	●	●	●
43	1405981	Synchronizer Hub	1		●	●	●	●
44	371692	Sliding Sleeve	1	(G)	●	●	●	●
44	1529939	Sliding Sleeve	1	(H)	●	●	●	●
45	395759	Ring	1		●	●	●	●
46	378632	Gear Low Speed 40 T	1	(E)	●	●	●	●
46	1394865	Gear Low Speed 40 T	1	(F)	●	●	●	●
47	374334	Roller	4		●	●	●	●
48	369910	Pin	4		●	●	●	●
49	369911	Spring	4		●	●	●	●
50	1304852	Bush	1		●	●	●	●
51	378627	Fixed Hub	1		●	●	●	●
52	378646	Sliding Sleeve	1		●	●	●	●
53	378633	Reverse Gear 36 T	1		●	●	●	●
54	1304853	Bush	1		●	●	●	●
55	1327878	Bearing D.65x150x40	1	Oem	●	●	●	●
55	1327878	Bearing D.65x150x40	1	A.Market	●	●	●	●
56	1113910	Spacer	1		●	●	●	●
57	1304850	Synchronizer Cone	1	(*) Old Generation	●	●	●	●
57	1789444	Synchronizer Cone	1	(*) New Generation	●	●	●	●
57	1883354	Synchronizer Cone	1	(@) Latest Generation	●	●	●	●
58	1459308	Sun Gear 24 T	1		●	●		
58	1459309	Sun Gear 24 T	1				●	●
59	1461417	Nut	1		●	●		
59	1461416	Nut	1				●	●
60	1314986	Oil Plug	1	(C)	●	●	●	●
60	1387297	Oil Plug	1	(D)	●	●	●	●
61	1335671	Fork	1		●	●	●	●
62	1335174	Rod	1		●	●	●	●
63	1305977	Intermediate Element	1		●	●	●	●
64	1337894	Piston	1		●	●	●	●
65	1345149	Cylinder	1		●	●	●	●

## Notes

(A) Up to Gearbox 6745013 (B) From Gearbox 6745014 (C) Up to Gearbox 6757126  
 (D) From Gearbox 6757127 (E) Up to Gearbox 6790605 (F) From Gearbox 6790606  
 (G - H) To be coupled together

(1) Old style with 4 fins not listed in the catalogue. The old ring 391804 (fig.42) and the old Synchro ring 373272 (fig.41) can be replaced by :  
 1 pc. 169.740 - 1401622 (Fig.42) + 1 pc. 119.146 - 1401620 (Fig.41)

(\*) Old and New Generation. Can be replaced by Synchro rebuilt kit 298.188 (Latest Gen.) shown in the next table  
 (@) LATEST GENERATION. To be coupled together.

## Date

05 / 2010

## Table

0160

Adattabile a : **SCANIA GRS900(H)-GRS900R(H) (W/Retarder)**  
 Suitable To :

**Oil Seal & Gasket Kit**  
**89 - 90 - 91**



**Oil Pump**  
**84**



**Oil Filter**  
**85**

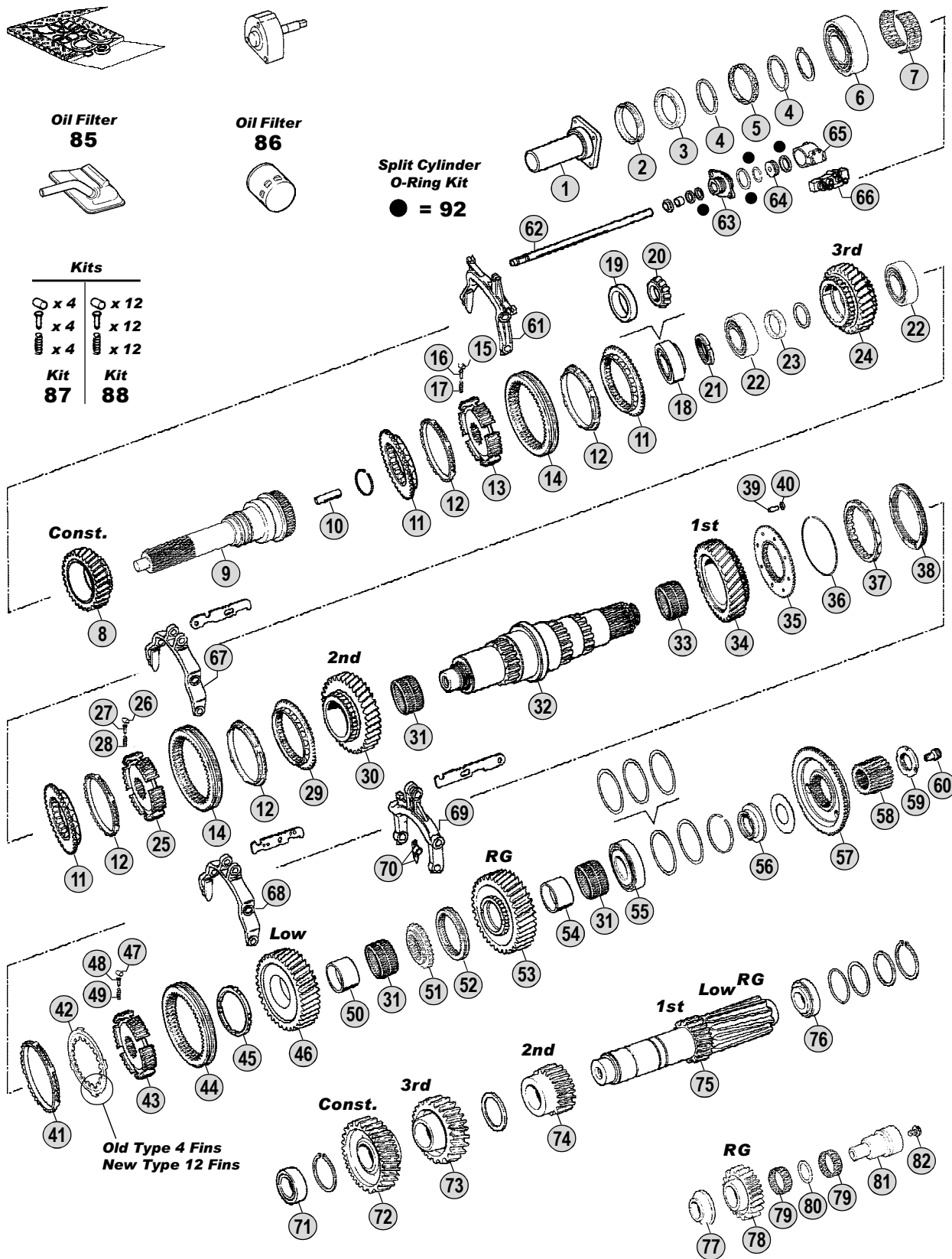


**Oil Filter**  
**86**



**Split Cylinder**  
**O-Ring Kit**  
 ● = 92

Kits	
x 4	x 12
x 4	x 12
x 4	x 12
<b>Kit</b> <b>87</b>	<b>Kit</b> <b>88</b>



**Models**

**Serie 3 - Serie 4**

**G93 - P93 - R93 - T93 - P113 - R113 - T113 - R143 - T143**

**94C/D/G/L - 114C/G/L - 124C/G/L - 144C/G/L - - 164(480)C/G/L**

Fig.	Rif. SCANIA	Description	Q.ty	Note	GRS900	GRSH900	GRS900R	GRSH900R
66	1488083	Solenoid Valve	1		●	●	●	●
67	1327286	Fork	1		●	●	●	●
68	1327286	Fork	1	(E)	●	●	●	●
68	1479151	Fork	1	(F)	●	●	●	●
69	1305971	Fork	1		●	●	●	●
70	1423958	Slide	2		●	●	●	●
71	1903570	Bearing D.50x100x37,65	1	Oem	●	●	●	●
71	1903570	Bearing D.50x100x37,65	1	A.Market	●	●	●	●
72	1116469	Constant Gear 38 T	1		●	●	●	●
73	1116471	Gear 3rd Speed	1	(A)	●	●	●	●
73	1367796	Gear 3rd Speed 34 T	1	(B)	●	●	●	●
74	1116473	Gear 2nd Speed 24 T	1		●	●	●	●
75	1373173	Countershaft 17/12 T	1	(E)	●	●	●	●
75	1393880	Countershaft 19/12 T	1	(F)	●	●	●	●
76	1357711	Bearing 60X130X33,5	1	Oem	●	●	●	●
76	1357711	Bearing 60X130X33,5	1	A.Market	●	●	●	●
77	378614	Washer	1		●	●	●	●
78	380110	Reverse Gear	1		●	●	●	●
79	378615	Needle Cage D.50x62x21,5	2		●	●	●	●
80	380109	Spacer	1		●	●	●	●
81	1510337	Reverse Pin	1		●	●	●	●
82	812534	Screw	1		●	●	●	●
84	1426449	Oil Pump	1		●	●	●	●
85	1307097	Oil Filter	1		●	●	●	●
86	1768402	Oil Filter	1		●	●	●	●
87	EI 198847	Roller-Pins and Springs kit	1		●	●	●	●
88	EI 198848	Roller-Pins and Springs kit	1		●	●	●	●
89	EI 198850	Gasket kit	1	Only gaskets	●	●	●	●
90	5.00 I 198851	Oil Seals Kit	1	Only oil seals	●	●	●	●
91	550577	Oil Seal and Gasket Kit	1	Complete	●	●	●	●
92	CEI 198956	Split Cylinder O-Ring Kit	1		●	●	●	●

**Notes**

(A) Up to Gearbox 6745013 (B) From Gearbox 6745014 (C) Up to Gearbox 6757126  
(D) From Gearbox 6757127 (E) Up to Gearbox 6790605 (F) From Gearbox 6790606  
(G - H) To be coupled together  
(1) Old style with 4 fins not listed in the catalogue. The old ring 391804 (fig.42) and the old Synchro ring 373272 (fig.41) can be replaced by :  
1 pc. 169.740 - 1401622 (Fig.42) + 1 pc. 119.146 - 1401620 (Fig.41)  
(\* Old and New Generation. T can be replaced by Synchro rebuilt kit 298.188 (Latest Gen.) shown in the next table  
(@) LATEST GENERATION. To be coupled together.

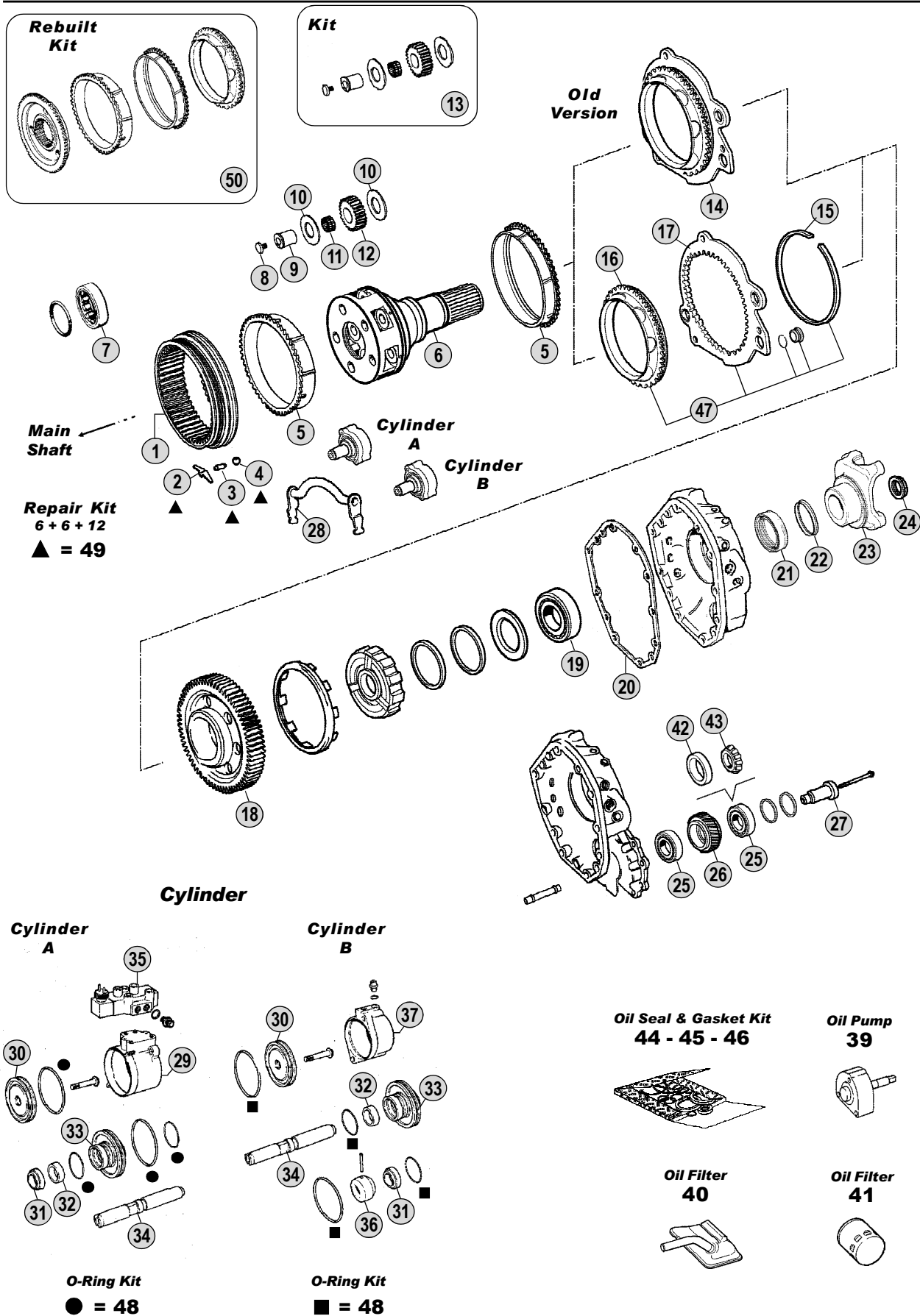
**Date**

05 / 2010

**Table**

**0160**

Adattabile a : **SCANIA GRS900(H)-GRS900R(H) (W/Retarder)**  
 Suitable To :



Models

**Serie 3 - Serie 4**

G93 - P93 - R93 - T93 - P113 - R113 - T113 - R143 - T143

94C/D/G/L - 114C/G/L - 124C/G/L - 144C/G/L - - 164(480)C/G/L

Fig.	Rif. SCANIA	Description	Q.ty	Note				
					GRS900	GRSH900	GRS900R	GRSH900R
1	1118030	Crown Gear 66 T	1		●	●	●	●
2	1395039	Spring	6		●	●	●	●
3	1332508	Pin	6		●	●	●	●
4	871702	Ball	12		●	●	●	●
5	1395624	Synchronizer Ring	2	(*) Old Generation	●	●	●	●
5	1770058	Synchronizer Ring	2	(*) New Generation	●	●	●	●
5	1883363	Synchronizer Ring	1	(@) Latest Generation	●	●	●	●
6	1318221	Planetary Carrier	1	Complete	●	●		
6	1318225	Planetary Carrier	1	Complete			●	●
7	1300596	Bearing	1				●	●
8	1318714	Screw	5		●	●	●	●
9	1318713	Pin	5		●	●	●	●
10	389419	Washer	10		●	●	●	●
11	389434	Needle Bearing	5		●	●	●	●
12	1373174	Planet Pinion 20 T	5		●	●	●	●
13	CEI 198849	Repair kit	5		●	●	●	●
14	1308176	Synchro Kit	1	(1) Old Type	●	●	●	●
15	1302665	Snap Ring	1		●	●	●	●
16	1323147	Synchronizer Cone	1	(*) Old Generation	●	●	●	●
16	1788170	Synchronizer Cone	1	(*) New Generation	●	●	●	●
16	1883350	Synchronizer Cone	1	(@) Latest Generation	●	●	●	●
17	1323145	Saddle Plate	1		●	●	●	●
18	1426758	Retarder Gear 70 T	1				●	●
19	1783324	Bearing D.60x130x31	1		●	●	●	●
20	1305139	Gasket	1		●	●	●	●
21	1502384	Oil Seal 85x105x13	1		●	●	●	●
22	1300977	Dust Cover	1		●	●	●	●
23	1340753	Output Flange	1	P30/300	●	●	●	●
23	1422427	Output Flange	1	P40/400	●	●	●	●
23	1422430	Output Flange	1	P50/P500	●	●	●	●
23	1319646	Output Flange	1	P60/P600	●	●	●	●
24	1525988	Nut M44x1,5	1		●	●	●	●
25	361043	Bearing 40x85x33	2	Oem Old Type			●	●
25	361043	Bearing 40x85x33	2	A.Market Old Type			●	●
26	1373704	Gear 34 T	1				●	●
27	1304747	Pin	1				●	●
28	1491403	Fork	1		●	●	●	●
29	1484808	Cylinder	1		●	●	●	●
30	1303960	Piston	2		●	●	●	●
31	1515869	Oil Seal Ring 22X28X5/8	2		●	●	●	●
32	1303799	Bush	2		●	●	●	●
33	1321239	Intermediate Element	2		●	●	●	●
34	1332131	Shaft	2		●	●	●	●
35	1488083	Solenoid Valve	1		●	●	●	●
36	1337828	Sleeve	1		●	●	●	●

**Notes**

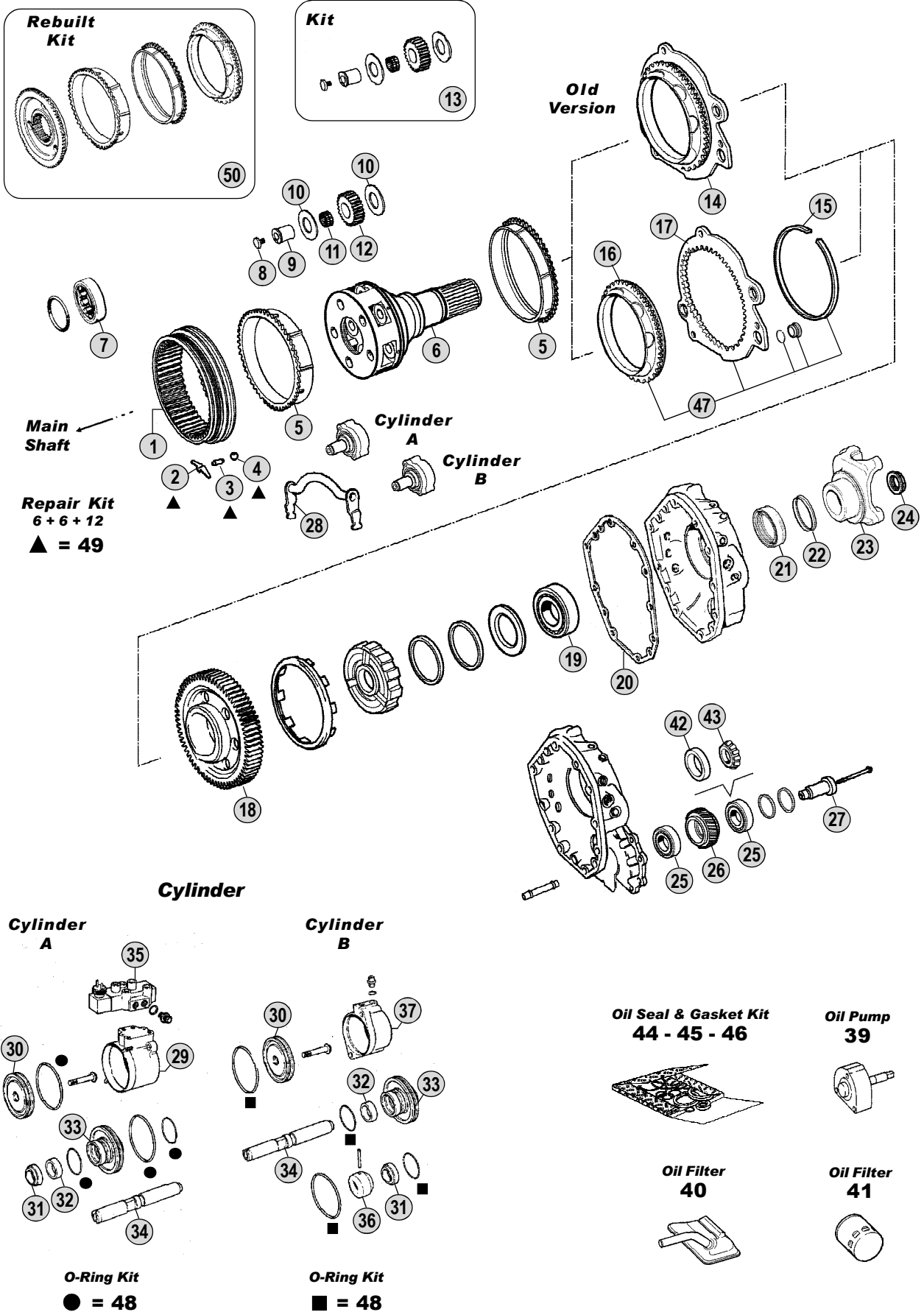
- (1) Old version replaced by :  
 1 pc. **135.126** 1323145 Saddle Plate (Fig.17)  
 1 pc. **109.168** 1323147Synchro Cone (Fig.16)  
 1 pc. **111.207** 1302665 Ring (Fig.15)  
 2 pc. 1305111 Ring + 2 pc. 1305109 Bush (Only in kit - See 198.916)  
 (\*) **Old and New Generation.** Can be replaced by Synchro rebuilt kit **298.188** (Fig. 50)  
 (@) **LATEST GENERATION.** To be coupled together.

**Date**

05 / 2010

**Table****0165**

Adattabile a : **SCANIA GRS900(H)-GRS900R(H) (W/Retarder)**  
 Suitable To :



Models

**Serie 3 - Serie 4**

**G93 - P93 - R93 - T93 - P113 - R113 - T113 - R143 - T143**

**94C/D/G/L - 114C/G/L/ - 124C/G/L - 144C/G/L - - 164(480)C/G/L**







Adattabile a : **SCANIA GRS(O)900-GRS(O)900R (W/Retarder)**  
 Suitable To :

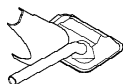
**Oil Seal & Gasket Kit**  
**89 - 90 - 91**



**Oil Pump**  
**84**



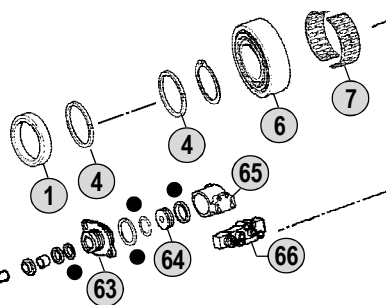
**Oil Filter**  
**85**



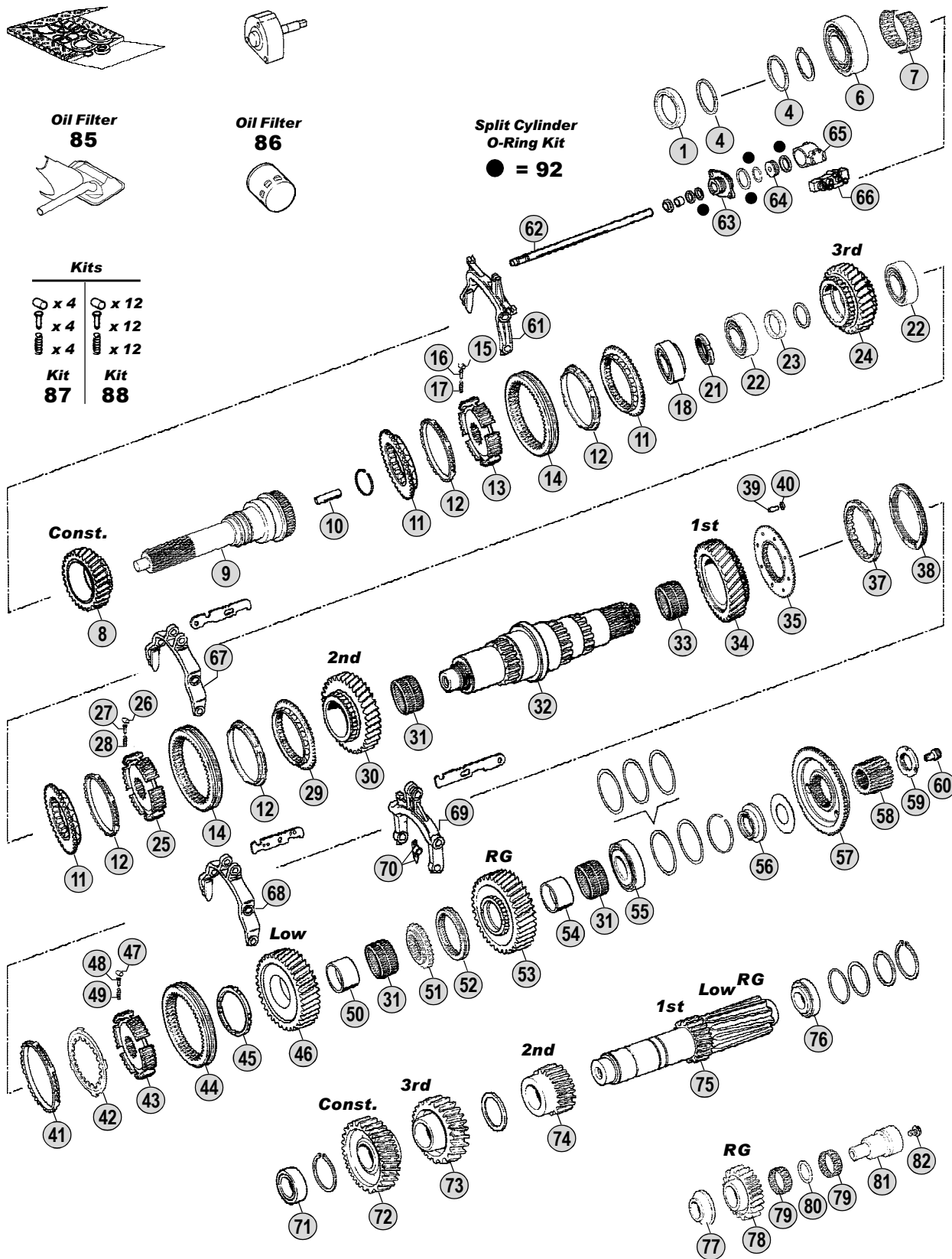
**Oil Filter**  
**86**



**Split Cylinder**  
**O-Ring Kit**  
 ● = 92



Kits	
x 4	x 12
x 4	x 12
x 4	x 12
<b>Kit 87</b>	<b>Kit 88</b>



**Models**

**Serie 4 - Serie P - Serie R**

**94C/D/G/L - 114C/G/L - 124C/G/L - 144C/G/L - 164(480)C/G/L**

**P/R380 - P/R420 - P/R480 - P/R500 - P/R560 - P/R620**

Fig.	Rif. SCANIA	Description	Q.ty	Note	GRS(O)900	GRS(O)900R			
1	1318388	Oil Seal 55x75x9	1		●	●			
4	1515004	Ring	2		●	●			
6	1327878	Bearing D.65x150x40	1	Oem	●	●			
6	1327878	Bearing D.65x150x40	1	A.Market	●	●			
7	372778	Needle Cage 92X100X44	1		●	●			
8	1393882	Constant Gear 36 T	1		●	●			
9	1377307	Input Shaft	1		●	●			
9	1378579	Input Shaft	1	EK-PTO	●	●			
10	315060	Oil tube	1		●	●			
11	1116475	Synchronizer Cone	3		●	●			
12	1382465	Synchronizer Ring	4	(A)	●	●			
12	1756447	Synchronizer Ring	4	(B)	●	●			
13	1376499	Synchronizer Hub	1		●	●			
14	369906	Sliding Sleeve	2	(A)	●	●			
14	1529939	Sliding Sleeve	2	(B)	●	●			
15	374334	Roller	4		●	●			
16	369910	Pin	4		●	●			
17	369911	Spring	4		●	●			
18	1548817	Bearing 40x85x33	1		●	●			
21	1461414	Nut	1		●	●			
22	1548056	Bearing	2		●	●			
23	1302731	Spacer T.9,50 mm	1		●	●			
23	1302732	Spacer T.9,52 mm	1		●	●			
23	1302733	Spacer T.9,54 mm	1		●	●			
23	1302734	Spacer T.9,56 mm	1		●	●			
23	1302735	Spacer T.9,58 mm	1		●	●			
24	1367794	Gear 3rd Speed 32 T	1		●	●			
25	1405981	Synchronizer Hub	1		●	●			
26	374334	Roller	4		●	●			
27	369910	Pin	4		●	●			
28	369911	Spring	4		●	●			
29	1116477	Synchronizer Cone	1		●	●			
30	1116461	Gear 2nd Speed 35 T	1		●	●			
31	378628	Needle Cage D.80x88x40	3		●	●			
32	1382978	Main Shaft	1		●	●			
33	378616	Needle Cage D.80x88x55	1		●	●			
34	1393876	Gear 1st Speed 44 T	1		●	●			
35	1300061	Synchronizer Cone	1		●	●			
37	1438526	Synchronizer Ring	1		●	●			
38	1383895	Intermediate Synchro Ring	1	(A)	●	●			
38	1466318	Intermediate Synchro Ring	1	(B)	●	●			
39	1340002	Pin	8		●	●			
40	383138	Lock Ring	8		●	●			
41	1401620	Synchronizer Ring	1	(A)	●	●			
41	1529950	Synchronizer Ring	1	(B)	●	●			

**Notes**

(A) Standard Generation. Use items marked (A) together.

(B) LATEST GENERATION. Use items marked (B) together.

(\*)Old and New Gen.Can be replaced by Synchro rebuilt kit 298.188 (Latest Gen.) shown in the next table.

(@) LATEST GENERATION. To be coupled together

**Date**

05 / 2010

**Table****0170**

Adattabile a : **SCANIA GRS(O)900-GRS(O)900R (W/Retarder)**  
 Suitable To :

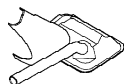
**Oil Seal & Gasket Kit**  
**89 - 90 - 91**



**Oil Pump**  
**84**



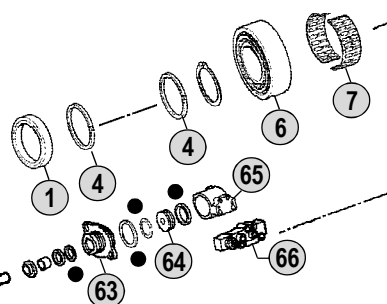
**Oil Filter**  
**85**



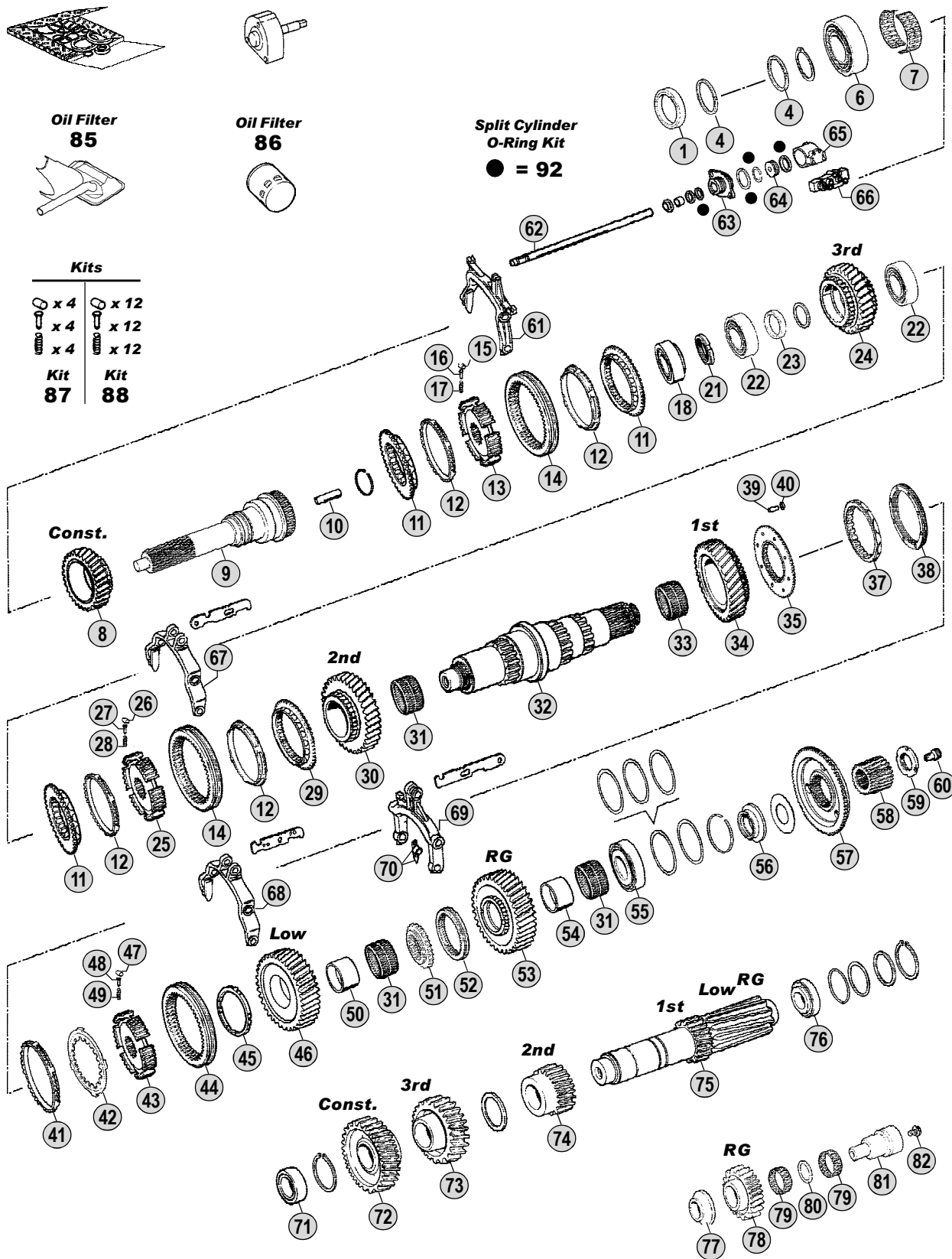
**Oil Filter**  
**86**



**Split Cylinder**  
**O-Ring Kit**  
 ● = 92



Kits	
x 4	x 12
x 4	x 12
x 4	x 12
<b>Kit 87</b>	<b>Kit 88</b>



**Models**

**Serie 4 - Serie P - Serie R**

**94C/D/G/L - 114C/G/L - 124C/G/L - 144C/G/L - 164(480)C/G/L**

**P/R380 - P/R420 - P/R480 - P/R500 - P/R560 - P/R620**

Fig.	Rif. SCANIA	Description	Q.ty	Note	GRS(O)900		GRS(O)900R			
42	1401622	Driver Plate	1	(A)	●	●				
42	1533848	Driver Plate	1	(B)	●	●				
43	1405981	Synchronizer Hub	1		●	●				
44	371692	Sliding Sleeve	1	(A)	●	●				
44	1529939	Sliding Sleeve	1	(B)	●	●				
45	395759	Ring	1		●	●				
46	1394865	Gear Low Speed 40 T	1		●	●				
47	374334	Roller	4		●	●				
48	369910	Pin	4		●	●				
49	369911	Spring	4		●	●				
50	1304852	Bush	1		●	●				
51	378627	Fixed Hub	1		●	●				
52	378646	Sliding Sleeve	1		●	●				
53	378633	Reverse Gear 36 T	1		●	●				
54	1304853	Bush	1		●	●				
55	1327878	Bearing D.65x150x40	1	Oem	●	●				
55	1327878	Bearing D.65x150x40	1	A.Market	●	●				
56	1113910	Spacer	1		●	●				
57	1304850	Synchronizer Cone	1	(*) Old Generation	●	●				
57	1789444	Synchronizer Cone	1	(*) New Generation	●	●				
57	1883354	Synchronizer Cone	1	(@) Latest Generation	●	●				
58	1459308	Sun Gear 24 T	1		●					
58	1459309	Sun Gear 24 T	1			●				
59	1461417	Nut	1		●					
59	1461416	Nut	1			●				
60	1387297	Oil Plug	1		●	●				
61	1335671	Fork	1		●	●				
62	1335174	Rod	1		●	●				
63	1305977	Intermediate Element	1		●	●				
64	1337894	Piston	1		●	●				
65	1345149	Cylinder	1		●	●				
66	1488083	Solenoid Valve	1		●	●				
67	1327286	Fork	1		●	●				
68	1479151	Fork	1		●	●				
69	1305971	Fork	1		●	●				
70	1423958	Slide	2		●	●				
71	1903570	Bearing D.50x100x37,65	1	Oem	●	●				
71	1903570	Bearing D.50x100x37,65	1	A.Market	●	●				
72	1393884	Constant gear 31 T	1		●	●				
73	1367796	Gear 3rd Speed 34 T	1		●	●				
74	1116473	Gear 2nd Speed 24 T	1		●	●				
75	1393880	Countershaft 19/12 T	1		●	●				
76	1357711	Bearing 60X130X33,5	1	Oem	●	●				
76	1357711	Bearing 60X130X33,5	1	A.Market	●	●				
77	378614	Washer	1		●	●				

**Notes**

(A) Standard Generation. Use items marked (A) together.

(B) LATEST GENERATION. Use items marked (B) together.

(\*) Old and New Gen.Can be replaced by Synchro rebuilt kit 298.188 (Latest Gen.) shown in the next table.

(@) LATEST GENERATION. To be coupled together

**Date**

05 / 2010

**Table****0170**

Adattabile a : **SCANIA GRS(O)900-GRS(O)900R (W/Retarder)**  
 Suitable To :

**Oil Seal & Gasket Kit**  
**89 - 90 - 91**



**Oil Pump**  
**84**



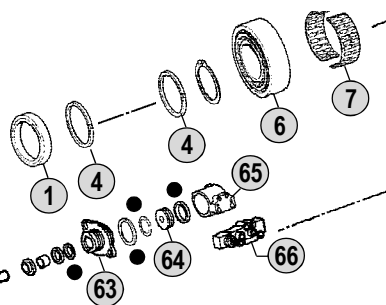
**Oil Filter**  
**85**



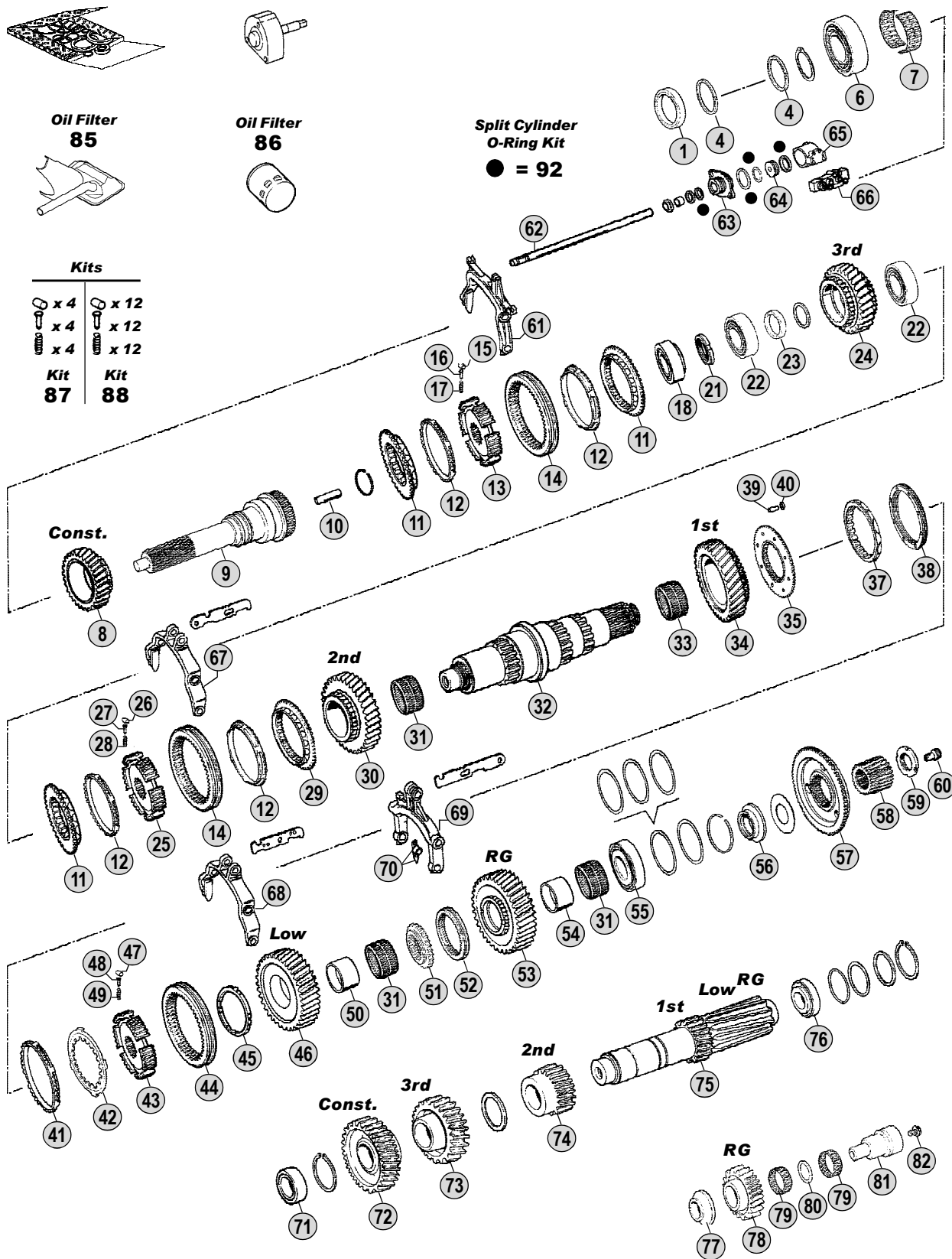
**Oil Filter**  
**86**



**Split Cylinder**  
**O-Ring Kit**  
 ● = 92



Kits	
x 4	x 12
x 4	x 12
x 4	x 12
<b>Kit 87</b>	<b>Kit 88</b>



**Models**

**Serie 4 - Serie P - Serie R**

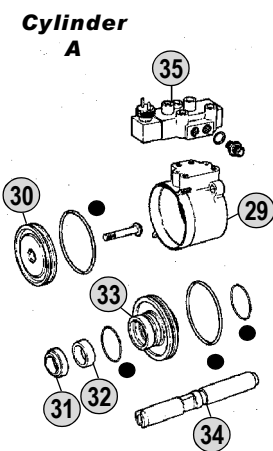
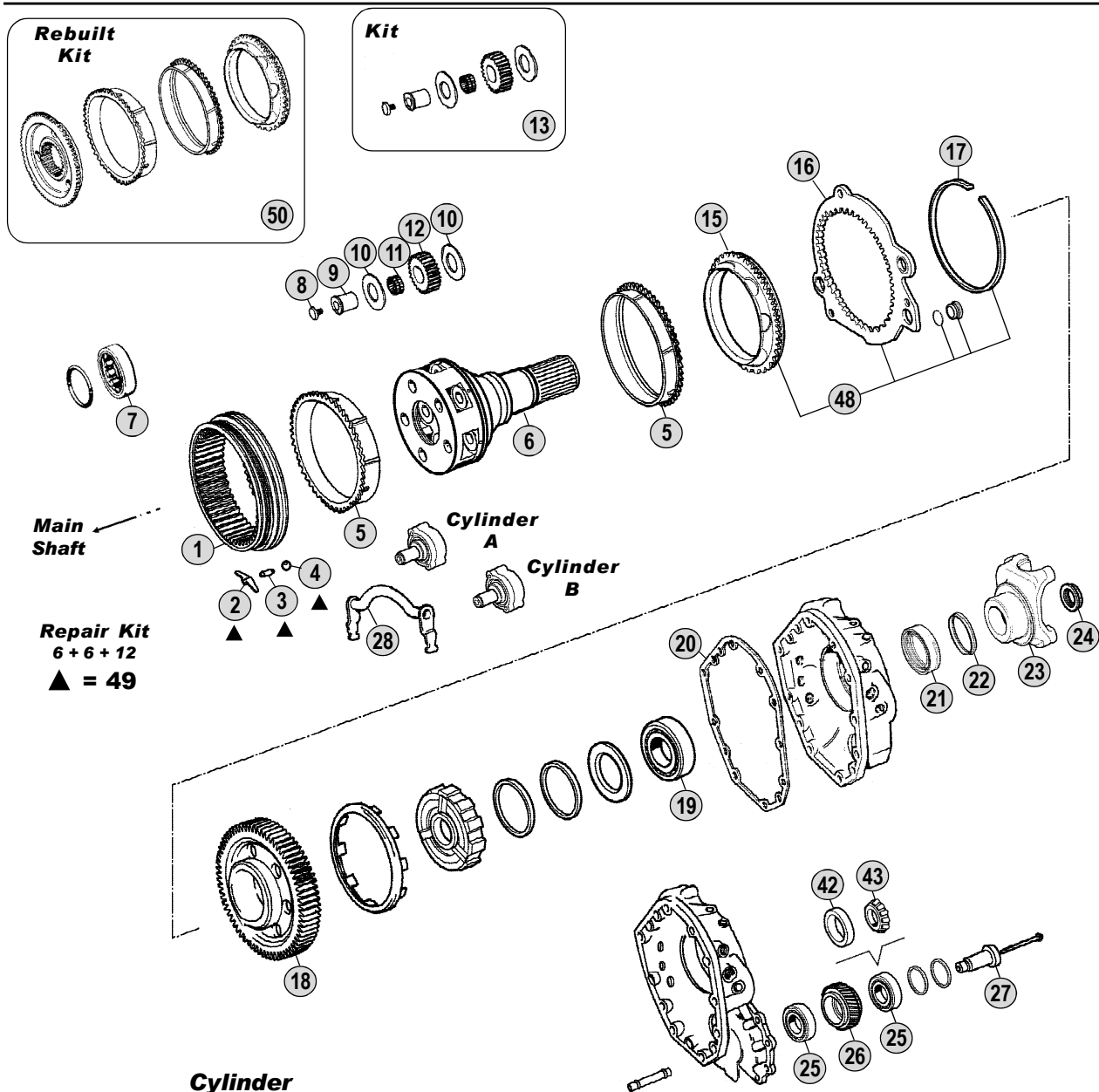
**94C/D/G/L - 114C/G/L - 124C/G/L - 144C/G/L - 164(480)C/G/L**

**P/R380 - P/R420 - P/R480 - P/R500 - P/R560 - P/R620**

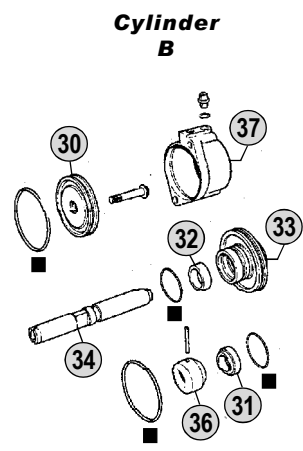




Adattabile a : **SCANIA GRS(O)900-GRS(O)900R (W/Retarder)**  
 Suitable To :

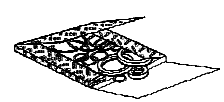


**O-Ring Kit**  
● = 47

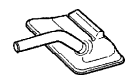


**O-Ring Kit**  
■ = 47

**Oil Seal & Gasket Kit**  
44 - 45 - 46



**Oil Filter**  
40



**Oil Pump**  
39



**Oil Filter**  
41



Models

**Serie 4 - Serie P - Serie R**  
**94C/D/G/L - 114C/G/L - 124C/G/L - 144C/G/L - 164(480)C/G/L**  
**P/R380 - P/R420 - P/R480 - P/R500 - P/R560 - P/R620**



Fig.	Rif. SCANIA	Description	Q.ty	Note	GRS(O)900		GRS(O)900R			
1	1118030	Crown Gear 66 T	1		●	●				
2	1395039	Spring	6		●	●				
3	1332508	Pin	6		●	●				
4	871702	Ball	12		●	●				
5	1395624	Synchronizer Ring	2	(*) Old Generation	●	●				
5	1770058	Synchronizer Ring	2	(*) New Generation	●	●				
5	1883363	Synchronizer Ring	2	(@) Latest Generation	●	●				
6	1318221	Planetary Carrier	1	Complete	●					
6	1318225	Planetary Carrier	1	Complete		●				
7	1300596	Bearing	1			●				
8	1318714	Screw	5		●	●				
9	1318713	Pin	5		●	●				
10	389419	Washer	10		●	●				
11	389434	Needle Bearing	5		●	●				
12	1373174	Planet Pinion 20 T	5		●	●				
13	CEI 198849	Repair kit	5		●	●				
15	1323147	Synchronizer Cone	1	(*) Old Generation	●	●				
15	1788170	Synchronizer Cone	1	(*) New Generation	●	●				
15	1883350	Synchronizer Cone	1	(@) Latest Generation	●	●				
16	1323145	Saddle Plate	1		●	●				
17	1302665	Snap Ring	1		●	●				
18	1426758	Retarder Gear 70 T	1			●				
19	1783324	Bearing D.60x130x31	1		●	●				
20	1305139	Gasket	1		●	●				
21	1502384	Oil Seal 85x105x13	1		●	●				
22	1300977	Dust Cover	1		●	●				
23	1340753	Output Flange	1	P30/300	●	●				
23	1422427	Output Flange	1	P40/400	●	●				
23	1422430	Output Flange	1	P50/P500	●	●				
23	1319646	Output Flange	1	P60/P600	●	●				
24	1525988	Nut M44x1,5	1		●	●				
25	361043	Bearing 40x85x33	2	Oem Old Type		●				
25	361043	Bearing 40x85x33	2	A.Market Old Type		●				
26	1373704	Gear 34 T	1			●				
27	1304747	Pin	1			●				
28	1491403	Fork	1		●	●				
29	1484808	Cylinder	1		●	●				
30	1303960	Piston	2		●	●				
31	1515869	Oil Seal Ring 22X28X5/8	2		●	●				
32	1303799	Bush	2		●	●				
33	1321239	Intermediate Element	2		●	●				
34	1332131	Shaft	2		●	●				
35	1488083	Solenoid Valve	1		●	●				
36	1337828	Sleeve	1		●	●				
36	1382339	Sleeve	1		●	●				

**Notes**

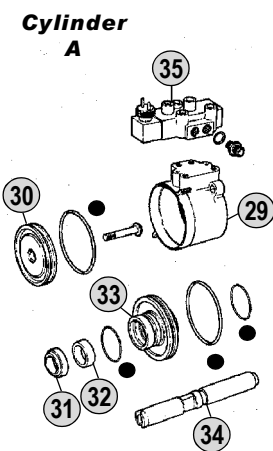
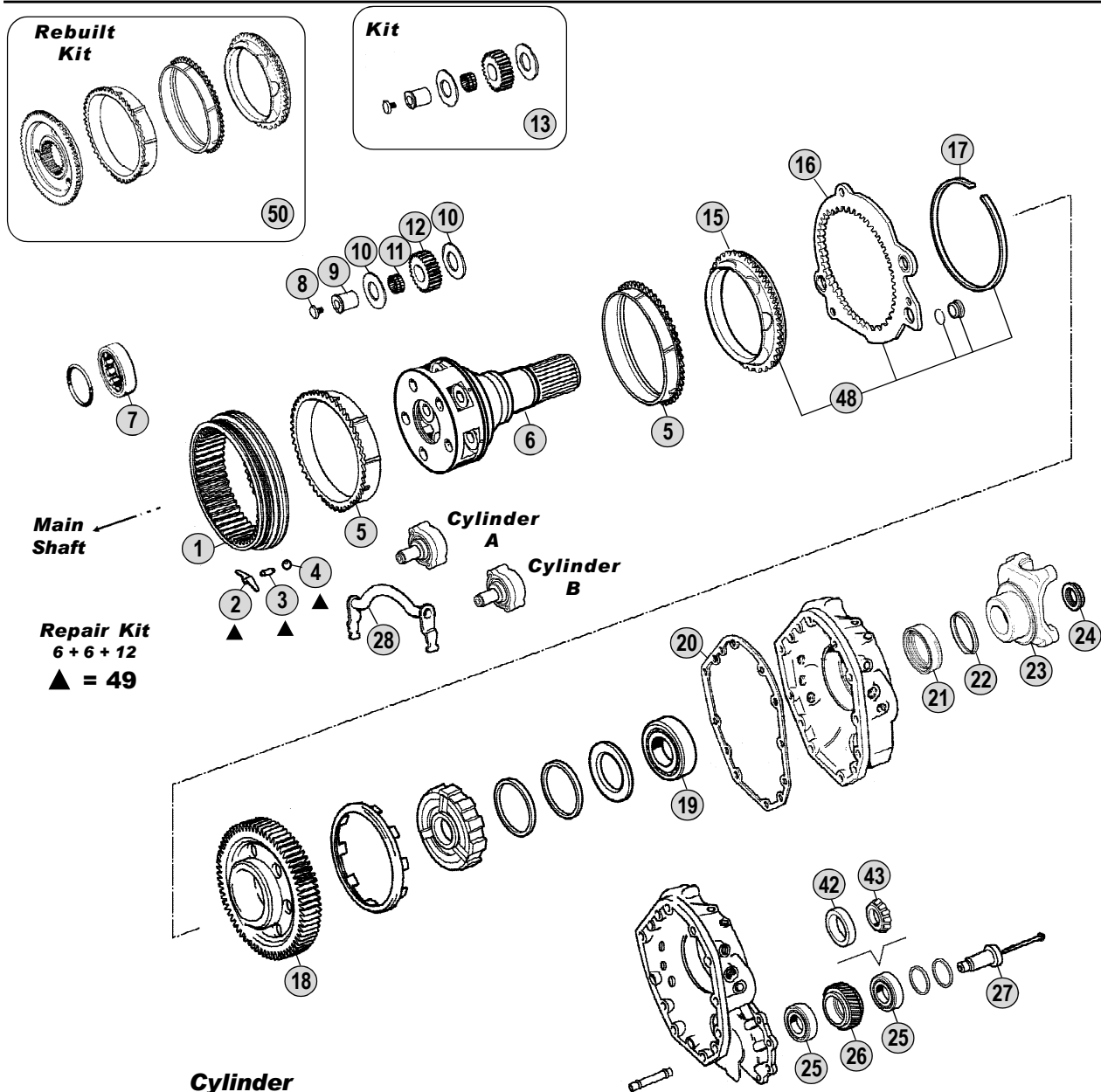
(\*) **Old and New Generation.** Can be replaced by Synchro rebuilt kit **298.188** (Fig. 50)  
 (@) **LATEST GENERATION.** To be coupled together.

**Date**

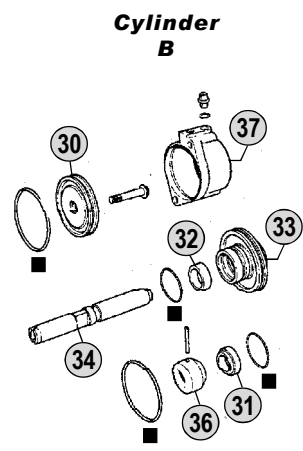
05 / 2010

**Table****0175**

Adattabile a : **SCANIA GRS(O)900-GRS(O)900R (W/Retarder)**  
 Suitable To :

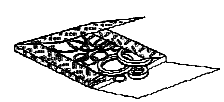


**O-Ring Kit**  
● = 47

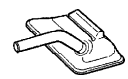


**O-Ring Kit**  
■ = 47

**Oil Seal & Gasket Kit**  
44 - 45 - 46



**Oil Filter**  
40



**Oil Pump**  
39



**Oil Filter**  
41



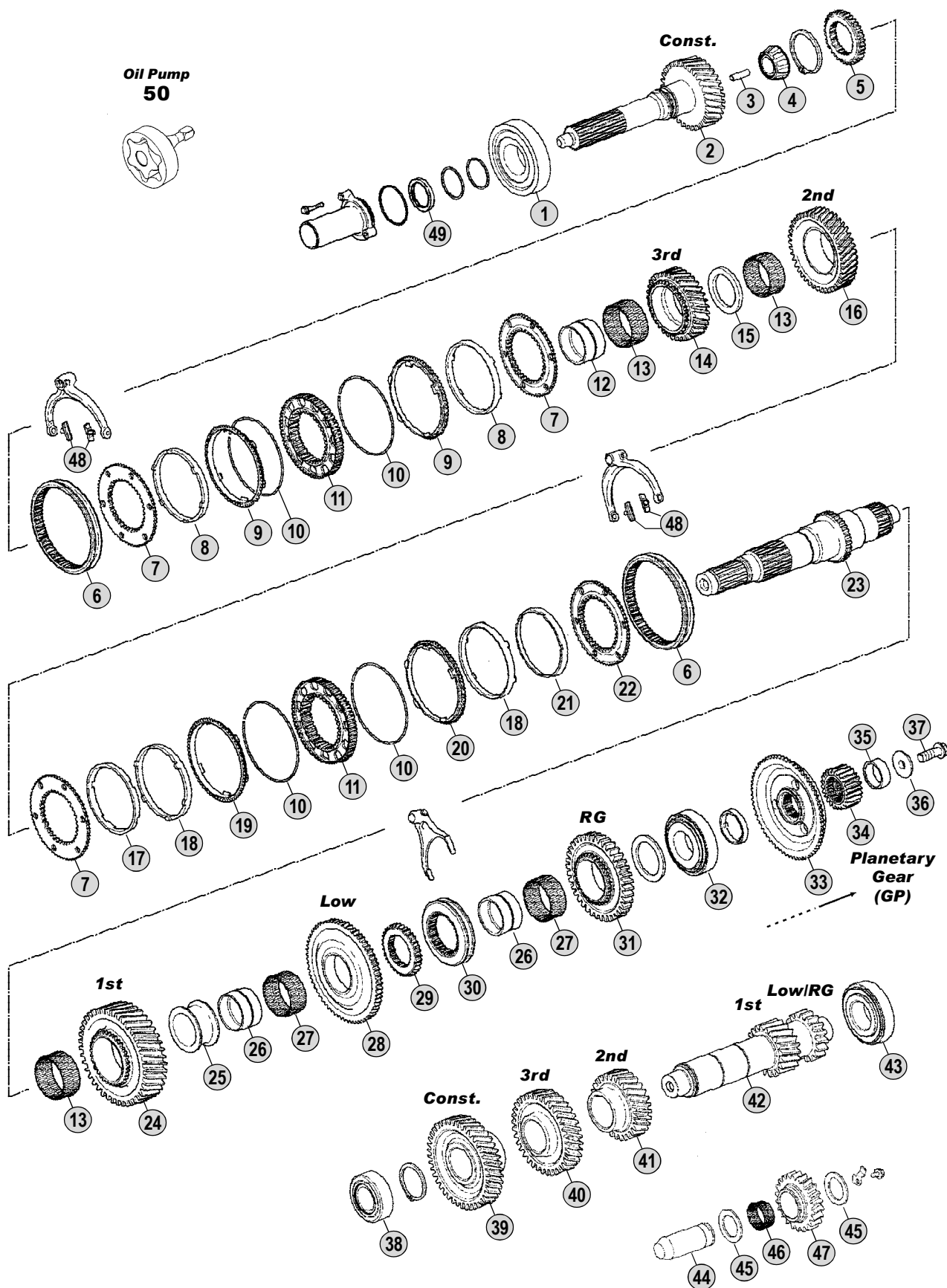
Models

**Serie 4 - Serie P - Serie R**

94C/D/G/L - 114C/G/L - 124C/G/L - 144C/G/L - 164(480)C/G/L

P/R380 - P/R420 - P/R480 - P/R500 - P/R560 - P/R620



Adattabile a : **SCANIA****GR905 - GR905R (W/Retarder)**

## Models

**Serie P - Serie R****P230 - P270 - P310 - P340****P230 - R270 - R310 - R340**

Fig.	Rif. SCANIA	Description	Q.ty	Note	GR905	GR905R			
1	1327878	Bearing D.65x150x40	1	Oem	●	●			
1	1327878	Bearing D.65x150x40	1	A.Market	●	●			
2	1769964	Input Shaft	1	(A)	●	●			
2	1778014	Input Shaft	1	(B)	●	●			
2	1772369	Input Shaft	1	(A) EK-PTO	●	●			
2	1783431	Input Shaft	1	(B) EK-PTO	●	●			
3	1762675	Tube	1		●	●			
4	1883975	Roller Bearing 40x30 mm	1	(A)	●	●			
4	1778518	Bearing	1	(B)	●	●			
5	1789137	Fixed Hub	1	(A)	●	●			
5	1778021	Synchronizer Hub	1	(B)	●	●			
6	1752963	Sliding Sleeve	2		●	●			
7	1495269	Synchronizer Cone	3		●	●			
8	1849451	Intermediate Synchro Ring	2		●	●			
9	1543357	Synchronizer Ring	2		●	●			
10	1730173	Ring	4		●	●			
11	1788922	Synchronizer Hub	2		●	●			
12	1769457	Bush	1		●	●			
13	1774165	Needle Cage	3		●	●			
14	1476206	Gear 3rd Speed	1		●	●			
15	1490886	Washer	1		●	●			
16	1776318	Gear 2nd Speed	1		●	●			
17	1849457	Intermediate Synchro Ring	1		●	●			
18	1849454	Intermediate Synchro Ring	2		●	●			
19	1543359	Synchronizer Ring	1		●	●			
20	1543361	Synchronizer Ring	1		●	●			
21	1849460	Intermediate Synchro Ring	1		●	●			
22	1495267	Synchronizer Cone	1		●	●			
23	1476196	Main Shaft	1	(A)	●	●			
23	1778017	Main Shaft	1	(B)	●	●			
24	1476218	Gear 1st Speed	1		●	●			
25	1513483	Bush	1		●	●			
26	1476287	Bush	2		●	●			
27	1476286	Needle Cage	2		●	●			
28	1476232	Gear Low Speed	1		●	●			
29	1789137	Fixed Hub	1		●	●			
30	1514712	Sliding Sleeve	1		●	●			
31	1476234	Reverse Gear	1		●	●			
32	1327878	Bearing D.65x150x40	1	Oem	●	●			
32	1327878	Bearing D.65x150x40	1	A.Market	●	●			
33	1491227	Synchronizer Cone	1	(*) Old Generation	●	●			
33	1788171	Synchronizer Cone	1	(*) New Generation	●	●			
33	1883352	Synchronizer Cone	1	(@) Latest Generation	●	●			
34	1476324	Sun Gear	1		●	●			
35	1408485	Spacer	1		●	●			

**Notes**

(A - B) To be coupled together.

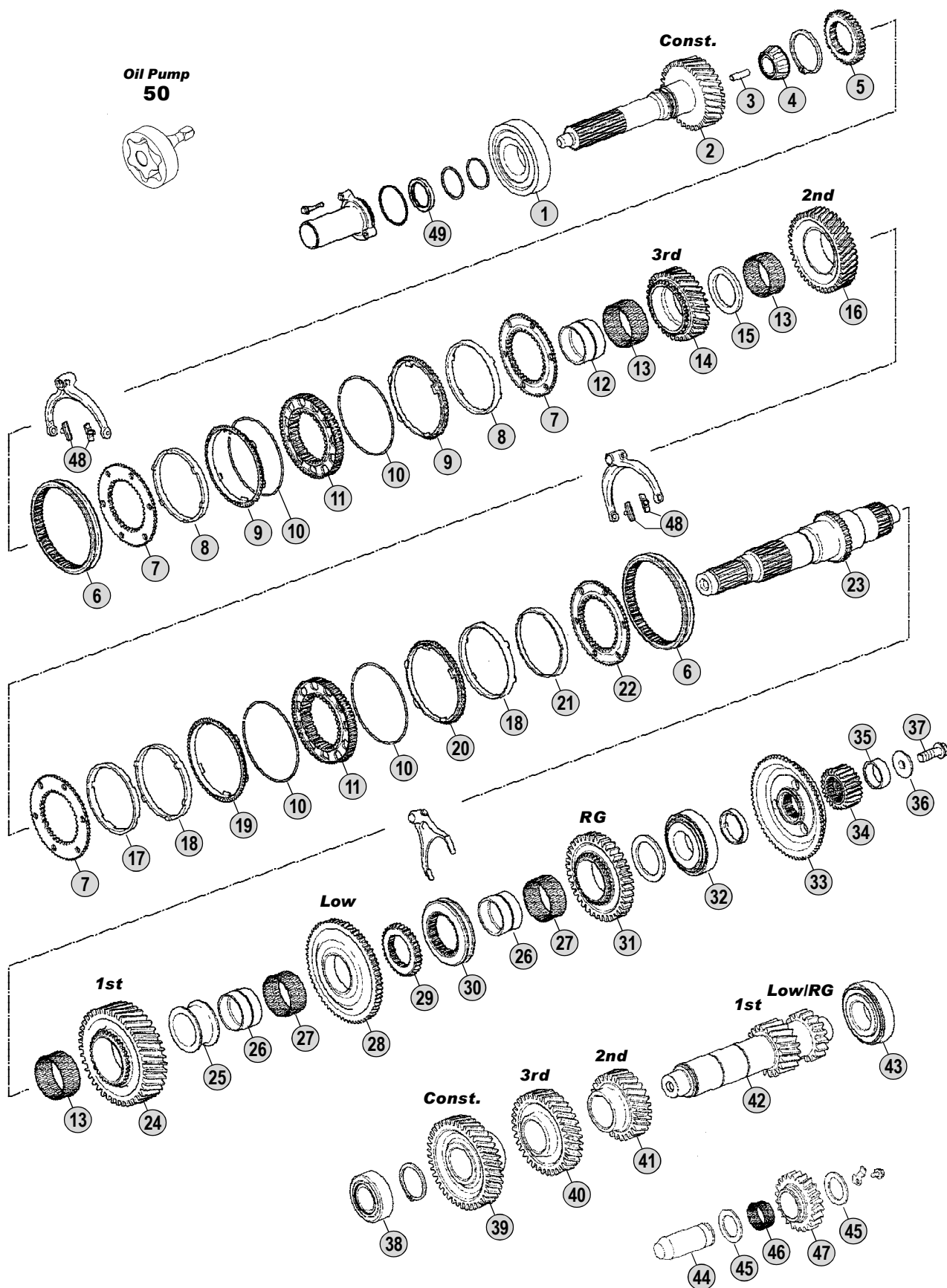
(\*) **Old and New Gen.** Can be replaced by Synchro rebuilt kit **298.189** (Latest Gen.) shown in the next table(@) **LATEST GENERATION.** To be coupled together.**Date**

05 / 2010

**Table****0180**

Adattabile a : **SCANIA**

Suitable To :

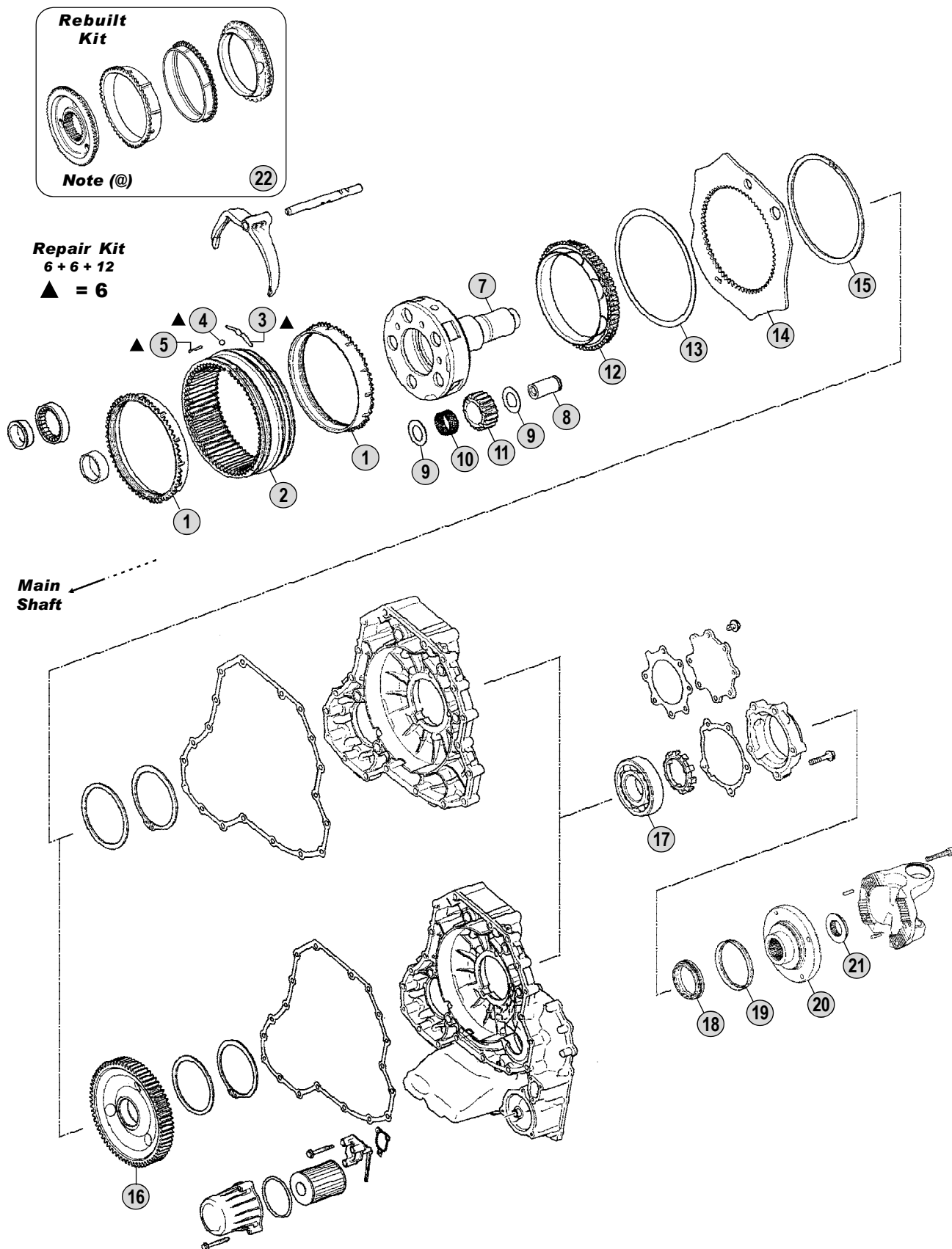
Modelli Cambio/ Gearbox Models  
**GR905 - GR905R (W/Retarder)****Models****Serie P - Serie R****P230 - P270 - P310 - P340****P230 - R270 - R310 - R340**





Adattabile a : **SCANIA**  
 Suitable To :

Modelli Cambio/ Gearbox Models  
**GR905 - GR905R (W/Retarder)**



**Models**

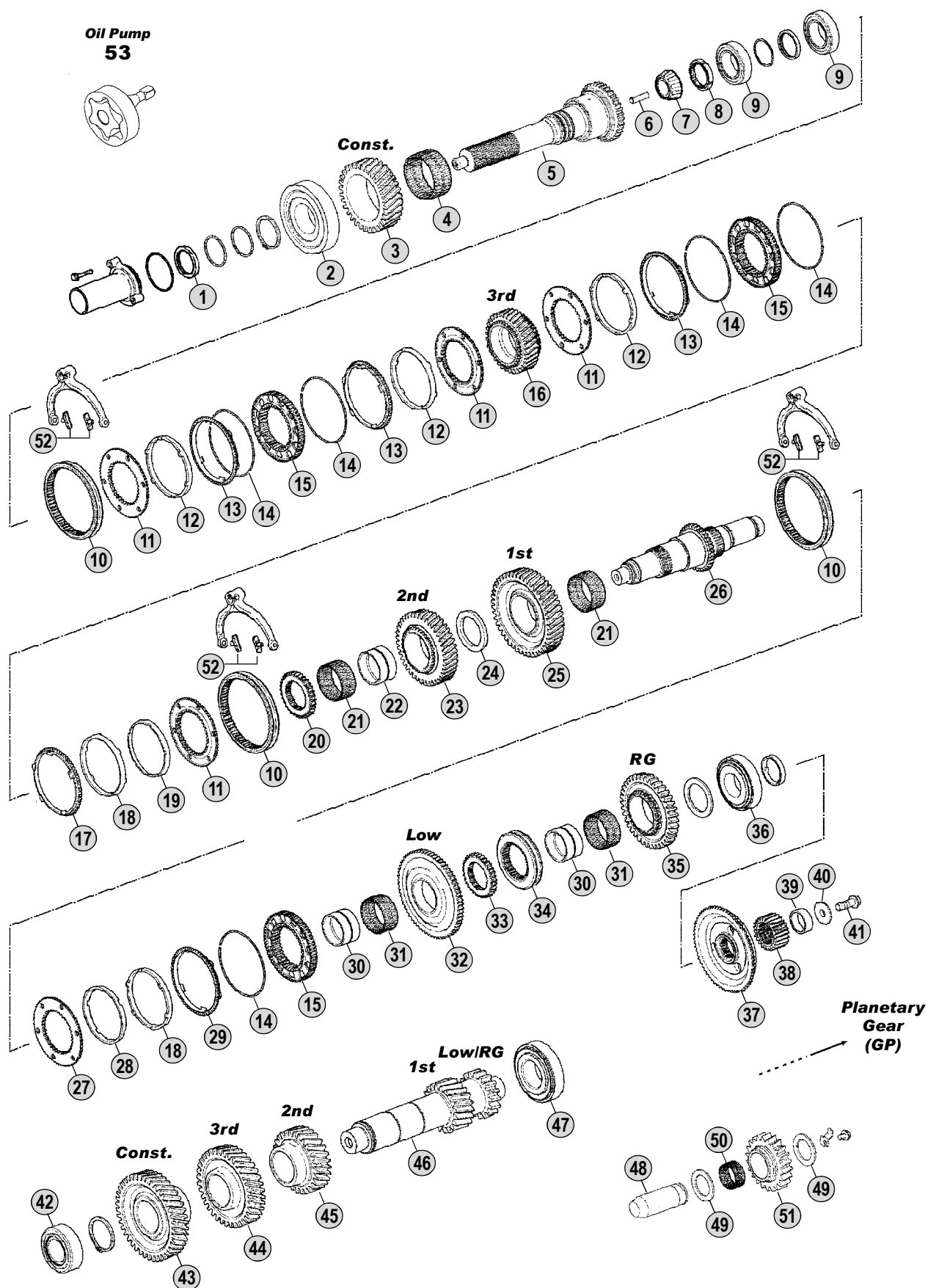
**Serie P - Serie R**

**P230 - P270 - P310 - P340**

**P230 - R270 - R310 - R340**



Adattabile a : **SCANIA GRS(O)905-GRS(O)905R (W/Retarder)**  
 Suitable To :



## Models

**Serie P - Serie R**

**P340 - P380 - P420 - P480 - P500 - P560 - P620**

**P340 - R380 - R420 - R480 - R500 - R560 - R620**

Fig.	Rif. SCANIA	Description	Q.ty	Note				
					GRS905	GRS(O)905	GRS905R	GRS(O)905R
1	1443189	Oil seal	1		●	●	●	●
2	1327878	Bearing D.65x150x40	1	Oem	●	●	●	●
2	1327878	Bearing D.65x150x40	1	A.Market	●	●	●	●
3	1476192	Constant Gear	1		●		●	
3	1476190	Constant Gear	1			●		●
4	372778	Needle cage	1		●	●	●	●
5	1769962	Input Shaft	1		●	●	●	●
5	1772368	Input Shaft	1	EK-PTO	●	●	●	●
6	1762675	Tube	1		●	●	●	●
7	1883975	Roller Bearing 40x30 mm	1		●	●	●	●
8	1461414	Nut	1		●	●	●	●
9	1548056	Bearing	2	Oem	●	●	●	●
9	1548056	Bearing	2	A.Market	●	●	●	●
10	1752963	Sliding sleeve	3		●	●	●	●
11	1495269	Synchronizer Cone	4		●	●	●	●
12	1849451	Intermediate Ring	3		●	●	●	●
13	1543357	Synchronizer ring	3		●	●	●	●
14	1730173	Ring	5		●	●	●	●
15	1788922	Synchronizer hub	3		●	●	●	●
16	1919174	Gear 3rd Speed 32 T	1		●	●	●	●
17	1543359	Synchronizer ring	1		●	●	●	●
18	1849454	Intermediate Ring	2		●	●	●	●
19	1849457	Intermediate Ring	1		●	●	●	●
20	1789137	Fixed hub	1		●	●	●	●
21	1774165	Needle cage	2		●	●	●	●
22	1769457	Bush	1		●	●	●	●
23	1776318	Gear 2nd Speed	1		●	●	●	●
24	1490886	Washer	1		●	●	●	●
25	1476216	Gear 1st Speed	1		●	●	●	●
26	1776321	Main Shaft	1		●	●	●	●
27	1495267	Synchronizer Cone	1		●	●	●	●
28	1849460	Intermediate ring	1		●	●	●	●
29	1543361	Synchronizer ring	1		●	●	●	●
30	1476287	Bush	2		●	●	●	●
31	1476286	Needle cage	2		●	●	●	●
32	1476232	Gear Low Speed	1		●	●	●	●
33	1789137	Fixed hub	1		●	●	●	●
34	1514712	Sliding sleeve	1		●	●	●	●
35	1476234	Reverse Gear	1		●	●	●	●
36	1327878	Bearing D.65x150x40	1	Oem	●	●	●	●
36	1327878	Bearing D.65x150x40	1	A.Market	●	●	●	●
37	1491227	Synchronizer Cone	1	(*) Old Generation	●	●	●	●
37	1788171	Synchronizer Cone	1	(*) New Generation	●	●	●	●
37	1883352	Synchronizer cone	1	(@) Latest Generation	●	●	●	●
38	1476324	Sun gear	1		●	●	●	●

## Notes

## Date

(\*) **Old and New Gen.** Can be replaced by Synchro rebuilt kit **298.189** (Latest Gen.) shown in the next table.

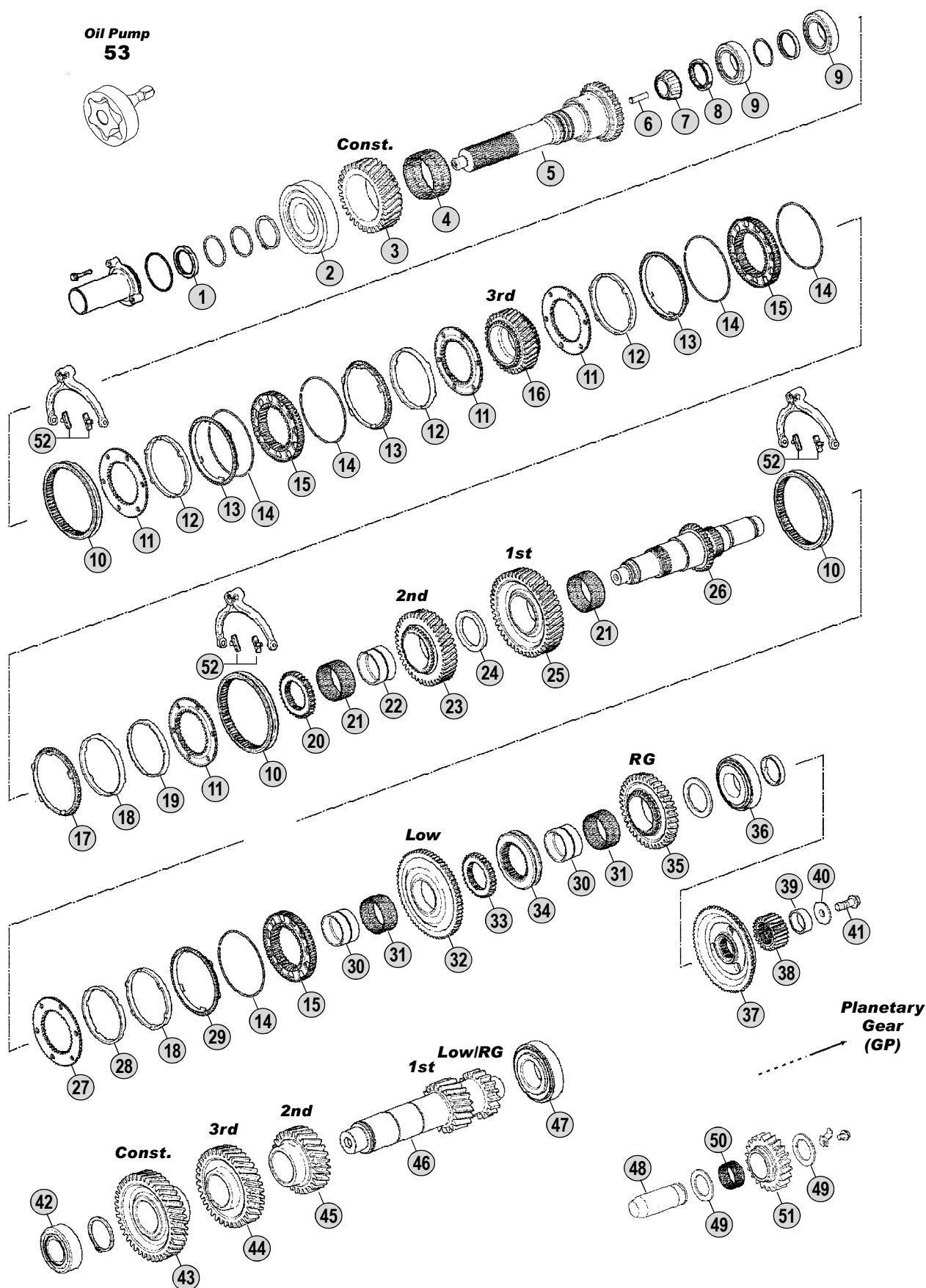
05 / 2010

(@) **LATEST GENERATION.** To be coupled together.

## Table

0190

Adattabile a : **SCANIA** GRS(O)905-GRS(O)905R (W/Retarder)  
 Suitable To :



#### Models

### Serie P - Serie R

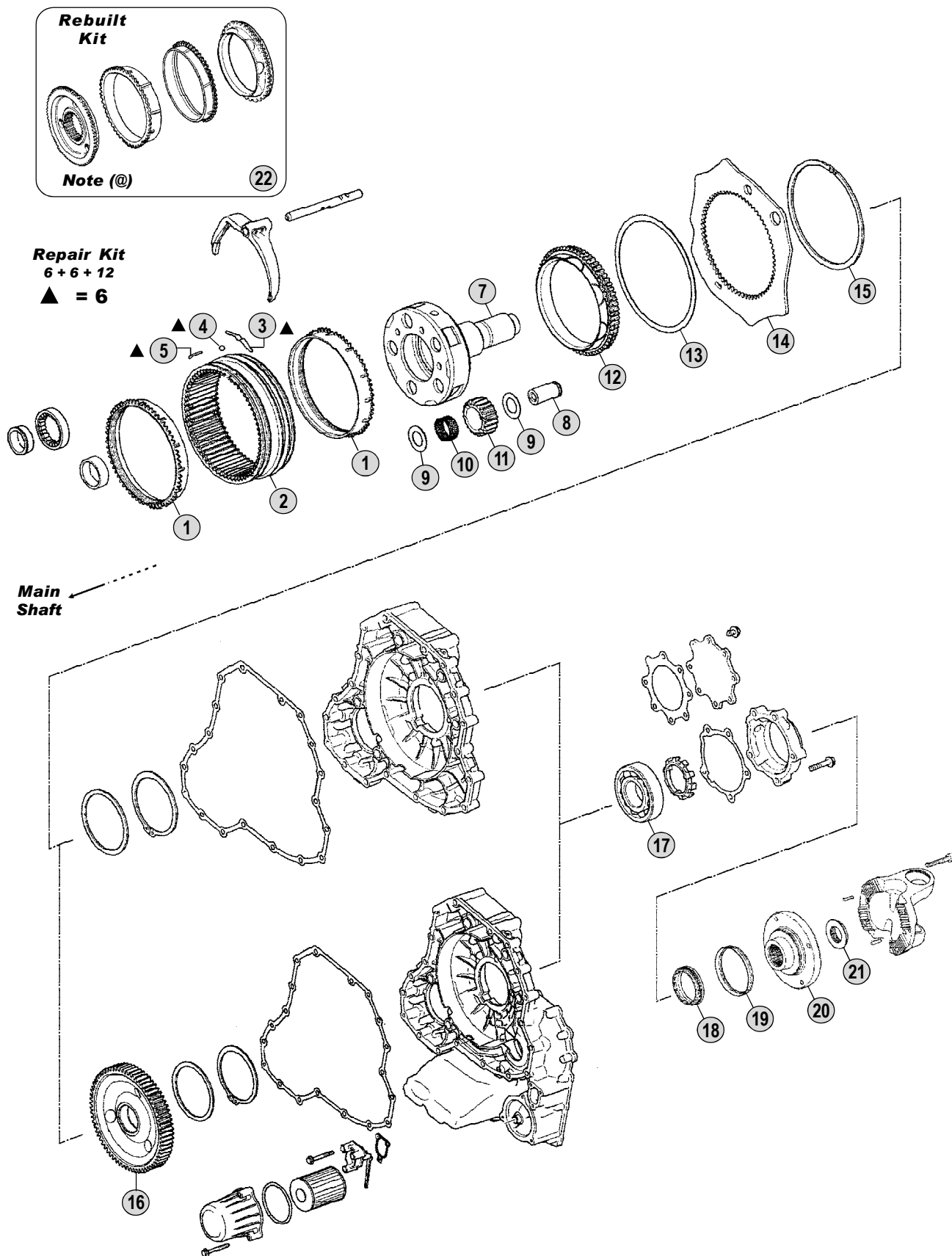
**P340 - P380 - P420 - P480 - P500 - P560 - P620**

**P340 - R380 - R420 - R480 - R500 - R560 - R620**





Adattabile a : **SCANIA** GRS(O)905-GRS(O)905R (W/Retarder)  
 Suitable To :



#### Models

### Serie P - Serie R

P340 - P380 - P420 - P480 - P500 - P560 - P620

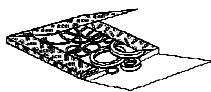
P340 - R380 - R420 - R480 - R500 - R560 - R620





Adattabile a : **SCANIA** **GRS920 - GRS920R** (W/Retarder)  
 Suitable To :

**Oil Seal & Gasket Kit**  
**89 - 90 - 91**



**Oil Pump**  
**84**



**Oil Filter**  
**85**

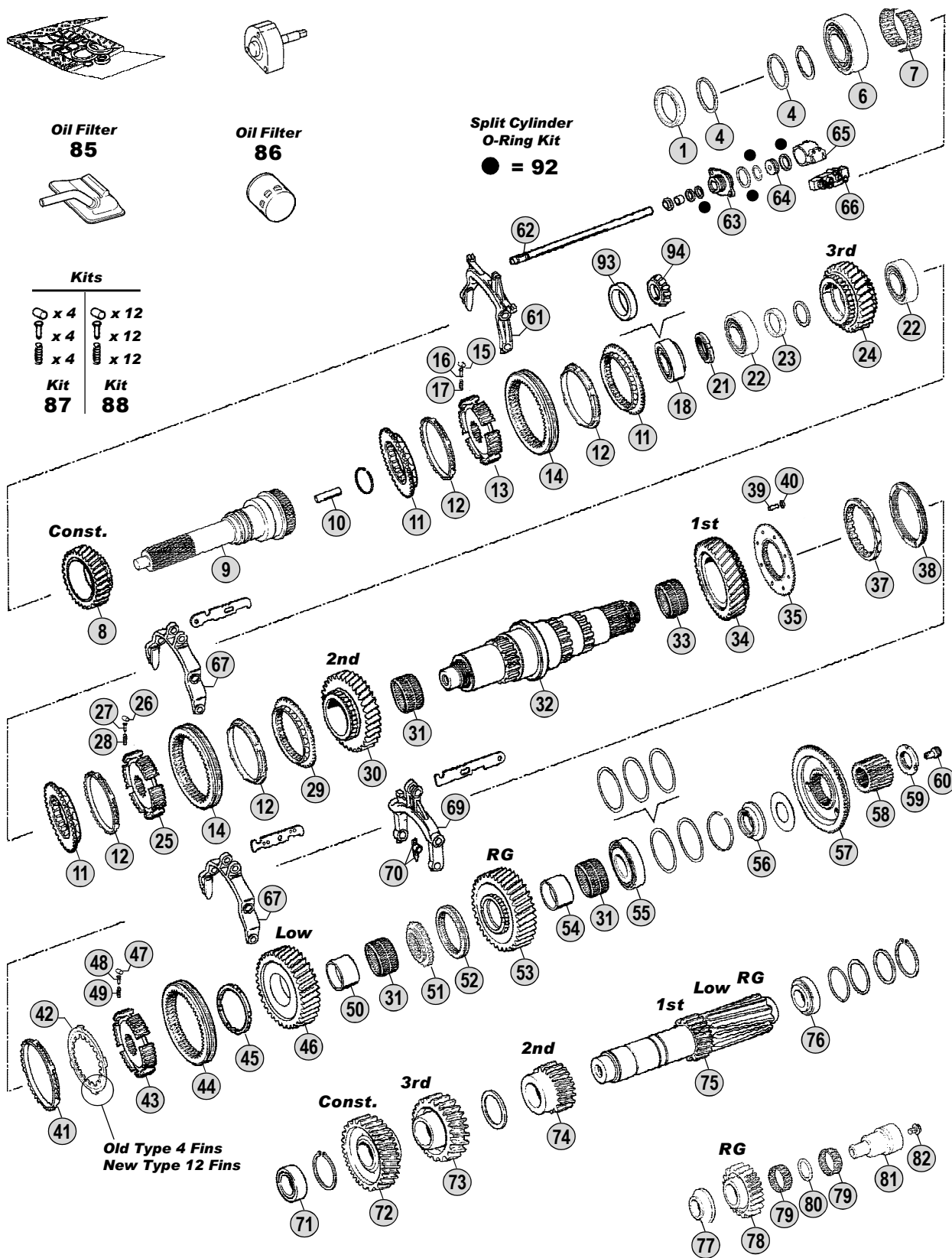


**Oil Filter**  
**86**



**Split Cylinder**  
**O-Ring Kit**  
 ● = 92

Kits	
x 4	x 12
x 4	x 12
x 4	x 12
<b>Kit</b> <b>87</b>	<b>Kit</b> <b>88</b>



**Models**

**Serie 4 - Serie P - Serie R**

**164(580)C/G/L**

**P/R560 - P/R620**

Fig.	Rif. SCANIA	Description	Q.ty	Note	GRS920	GRS920R			
1	1318388	Oil Seal 55x75x9	1		●	●			
4	1515004	Ring	2		●	●			
6	1327878	Bearing D.65x150x40	1	Oem	●	●			
6	1327878	Bearing D.65x150x40	1	A.Market	●	●			
7	372778	Needle Cage 92X100X44	1		●	●			
8	1399190	Constant Gear	1		●	●			
9	1377307	Input Shaft	1		●	●			
9	1378579	Input Shaft	1	EK-PTO	●	●			
10	315060	Oil tube	1		●	●			
11	1116475	Synchronizer Cone	3		●	●			
12	1382465	Synchronizer Ring	4	(A)	●	●			
12	1756447	Synchronizer Ring	4	(B)	●	●			
13	1376499	Synchronizer Hub	1		●	●			
14	369906	Sliding Sleeve	2	(A)	●	●			
14	1529939	Sliding Sleeve	2	(B)	●	●			
15	374334	Roller	4		●	●			
16	369910	Pin	4		●	●			
17	369911	Spring	4		●	●			
18	1548817	Bearing 40x85x33	1	Old Type	●	●			
21	1461414	Nut	1		●	●			
22	1548056	Bearing	2		●	●			
23	1302731	Spacer T.9,50 mm	1		●	●			
23	1302732	Spacer T.9,52 mm	1		●	●			
23	1302733	Spacer T.9,54 mm	1		●	●			
23	1302734	Spacer T.9,56 mm	1		●	●			
23	1302735	Spacer T.9,58 mm	1		●	●			
24	1376378	Gear 3rd Speed 32 T	1		●	●			
25	1405981	Synchronizer Hub	1		●	●			
26	374334	Roller	4		●	●			
27	369910	Pin	4		●	●			
28	369911	Spring	4		●	●			
29	1116477	Synchronizer Cone	1		●	●			
30	1376382	Gear 2nd Speed 35 T	1		●	●			
31	378628	Needle Cage D.80x88x40	3		●	●			
32	1382978	Main Shaft	1		●	●			
33	378616	Needle Cage D.80x88x55	1		●	●			
34	1846637	Gear 1st Speed 44 T	1		●	●			
35	1300061	Synchronizer Cone	1		●	●			
37	1438526	Synchronizer Ring	1		●	●			
38	1383895	Intermediate Synchro Ring	1	(A)	●	●			
38	1466318	Intermediate Synchro Ring	1	(B)	●	●			
39	1340002	Pin	8		●	●			
40	383138	Lock Ring	8		●	●			
41	1401620	Synchronizer Ring	1	(A)(1) New Style 12 Fins	●	●			
41	1529950	Synchronizer Ring	1	(B)	●	●			

## Notes

(A - B) To be coupled together  
 (1) Old style with 4 fins not listed in the catalogue. The old ring 391804 (fig.42) and the old Synchro ring 373272 (fig.41) can be replaced by :  
 1 pc. 169.740 - 1401622 (Fig.42) + 1 pc. 119.146 - 1401620 (Fig.41)  
 (\*)Old and New Gen. Can be replaced by Synchro rebuilt kit 298.188 (Latest Gen.) shown in the next table.  
 (@) LATEST GENERATION. To be coupled together.

## Date

05 / 2010

## Table

0200

Adattabile a : **SCANIA** **GRS920 - GRS920R** (W/Retarder)  
 Suitable To :

**Oil Seal & Gasket Kit**  
**89 - 90 - 91**



**Oil Pump**  
**84**



**Oil Filter**  
**85**

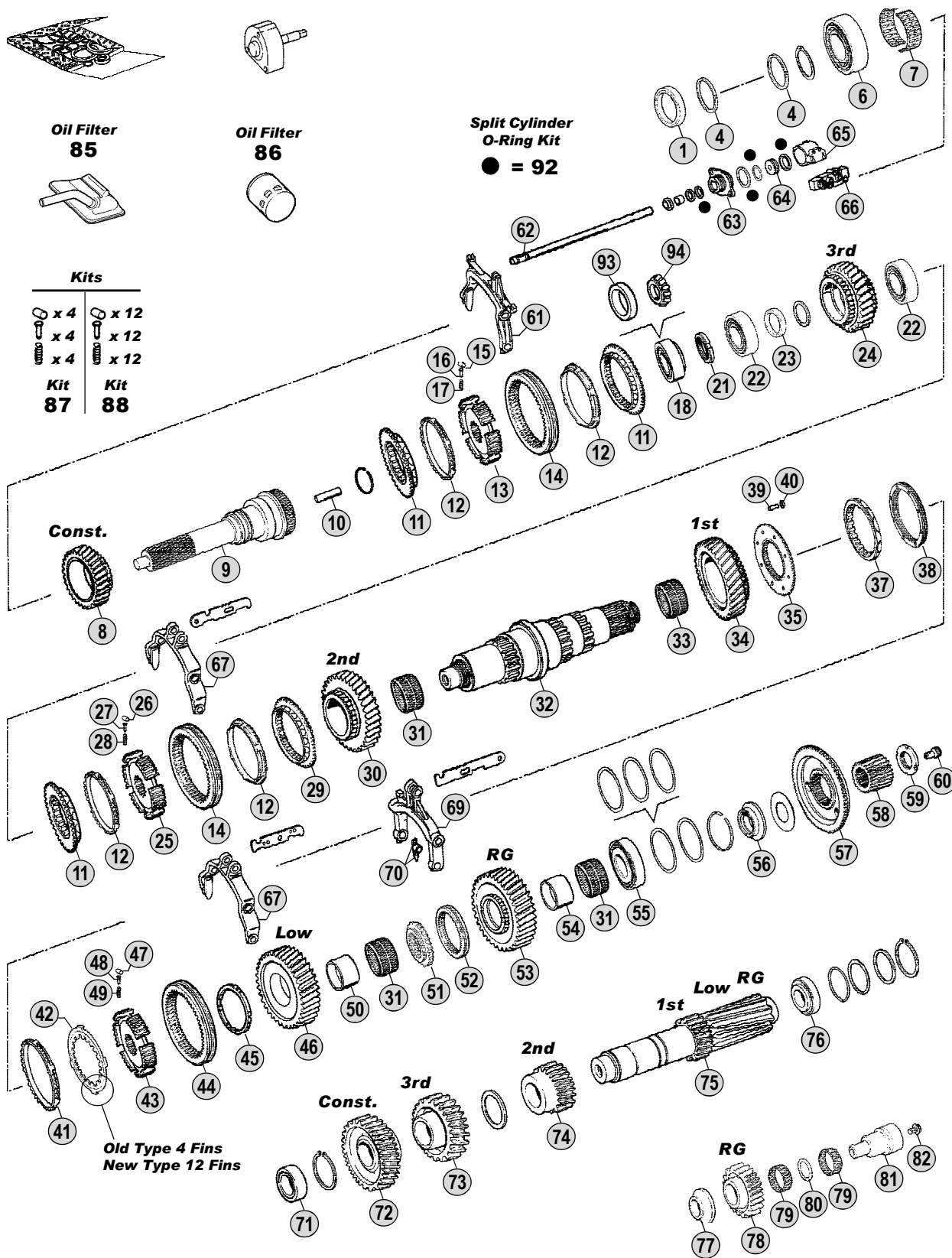


**Oil Filter**  
**86**



**Split Cylinder**  
**O-Ring Kit**  
 ● = 92

Kits	
x 4	x 12
x 4	x 12
x 4	x 12
<b>Kit</b> <b>87</b>	<b>Kit</b> <b>88</b>



Models

**Serie 4 - Serie P - Serie R**

**164(580)C/G/L**

**P/R560 - P/R620**

Fig.	Rif. SCANIA	Description	Q.ty	Note	GRS920	GRS920R			
42	1401622	Driver Plate	1	(A)(1) New Style 12 Fins	●	●			
42	1533848	Driver Plate	1	(B)	●	●			
43	1405981	Synchronizer Hub	1		●	●			
44	371692	Sliding Sleeve	1	(A)	●	●			
44	1529939	Sliding Sleeve	1	(B)	●	●			
45	395759	Ring	1		●	●			
46	1394865	Gear Low Speed 40 T	1		●	●			
47	374334	Roller	4		●	●			
48	369910	Pin	4		●	●			
49	369911	Spring	4		●	●			
50	1304852	Bush	1		●	●			
51	378627	Fixed Hub	1		●	●			
52	378646	Sliding Sleeve	1		●	●			
53	378633	Reverse Gear 36 T	1		●	●			
54	1304853	Bush	1		●	●			
55	1327878	Bearing D.65x150x40	1	Oem	●	●			
55	1327878	Bearing D.65x150x40	1	A.Market	●	●			
56	1113910	Spacer	1		●	●			
57	1304850	Synchronizer Cone	1	(*) Old Generation	●	●			
57	1789444	Synchronizer Cone	1	(*) New Generation	●	●			
57	1883354	Synchronizer Cone	1	(@) Latest Generation	●	●			
58	1459308	Sun Gear 24 T	1		●				
58	1459309	Sun Gear 24 T	1			●			
59	1461417	Nut	1		●				
59	1461416	Nut	1			●			
60	1387297	Oil Plug	1		●	●			
61	1335671	Fork	1		●	●			
62	1335174	Rod	1		●	●			
63	1305977	Intermediate Element	1		●	●			
64	1337894	Piston	1		●	●			
65	1345149	Cylinder	1		●	●			
66	1488083	Solenoid Valve	1		●	●			
67	1327286	Fork	2		●	●			
69	1305971	Fork	1		●	●			
70	1423958	Slide	2		●	●			
71	1903570	Bearing D.50x100x37,65	1	Oem	●	●			
71	1903570	Bearing D.50x100x37,65	1	A.Market	●	●			
72	1401659	Constant Gear 38 T	1		●	●			
73	1376380	Gear 3rd Speed 34 T	1		●	●			
74	1376384	Gear 2nd Speed 24 T	1		●	●			
75	1399192	Countershaft 12/19 T	1		●	●			
76	1357711	Bearing 60X130X33,5	1	Oem	●	●			
76	1357711	Bearing 60X130X33,5	1	A.Market	●	●			
77	378614	Washer	1		●	●			
78	380110	Reverse Gear	1		●	●			

## Notes

(A - B) To be coupled together  
 (1) **Old style with 4 fins** not listed in the catalogue. The old ring **391804** (fig.42) and the old Synchro ring **373272** (fig.41) can be replaced by :  
 1 pc. **169.740 - 1401622** (Fig.42) + 1 pc. **119.146 - 1401620** (Fig.41)  
 (\*) **Old and New Gen.** Can be replaced by Synchro rebuilt kit **298.188** (Latest Gen.) shown in the next table.  
 (@) **LATEST GENERATION.** To be coupled together.

## Date

05 / 2010

## Table

**0200**

Adattabile a : **SCANIA** **GRS920 - GRS920R** (W/Retarder)  
 Suitable To :

**Oil Seal & Gasket Kit**  
**89 - 90 - 91**



**Oil Pump**  
**84**



**Oil Filter**  
**85**

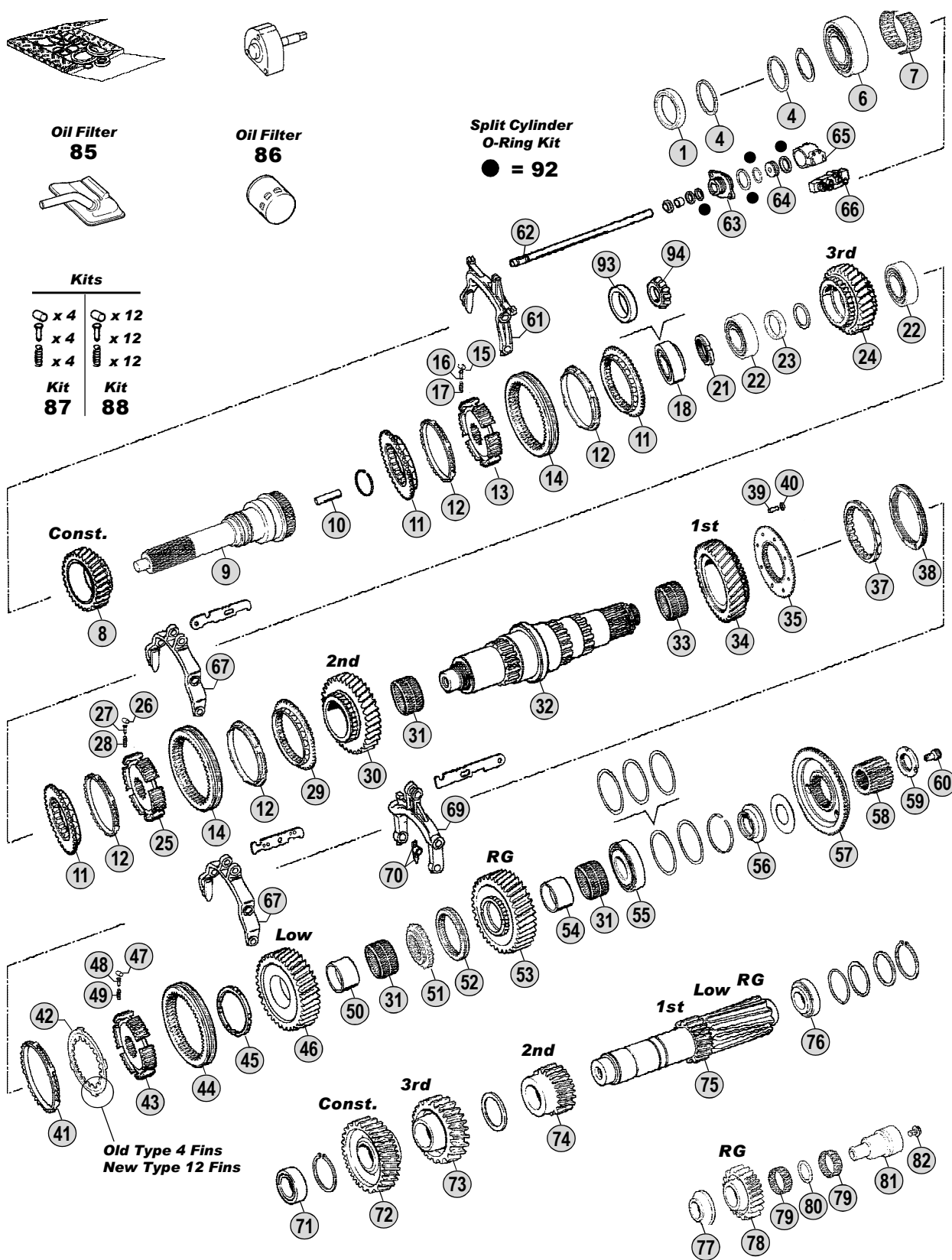


**Oil Filter**  
**86**



**Split Cylinder**  
**O-Ring Kit**  
 ● = 92

Kits	
x 4	x 12
x 4	x 12
x 4	x 12
<b>Kit</b> <b>87</b>	<b>Kit</b> <b>88</b>



Models

**Serie 4 - Serie P - Serie R**

**164(580)C/G/L**

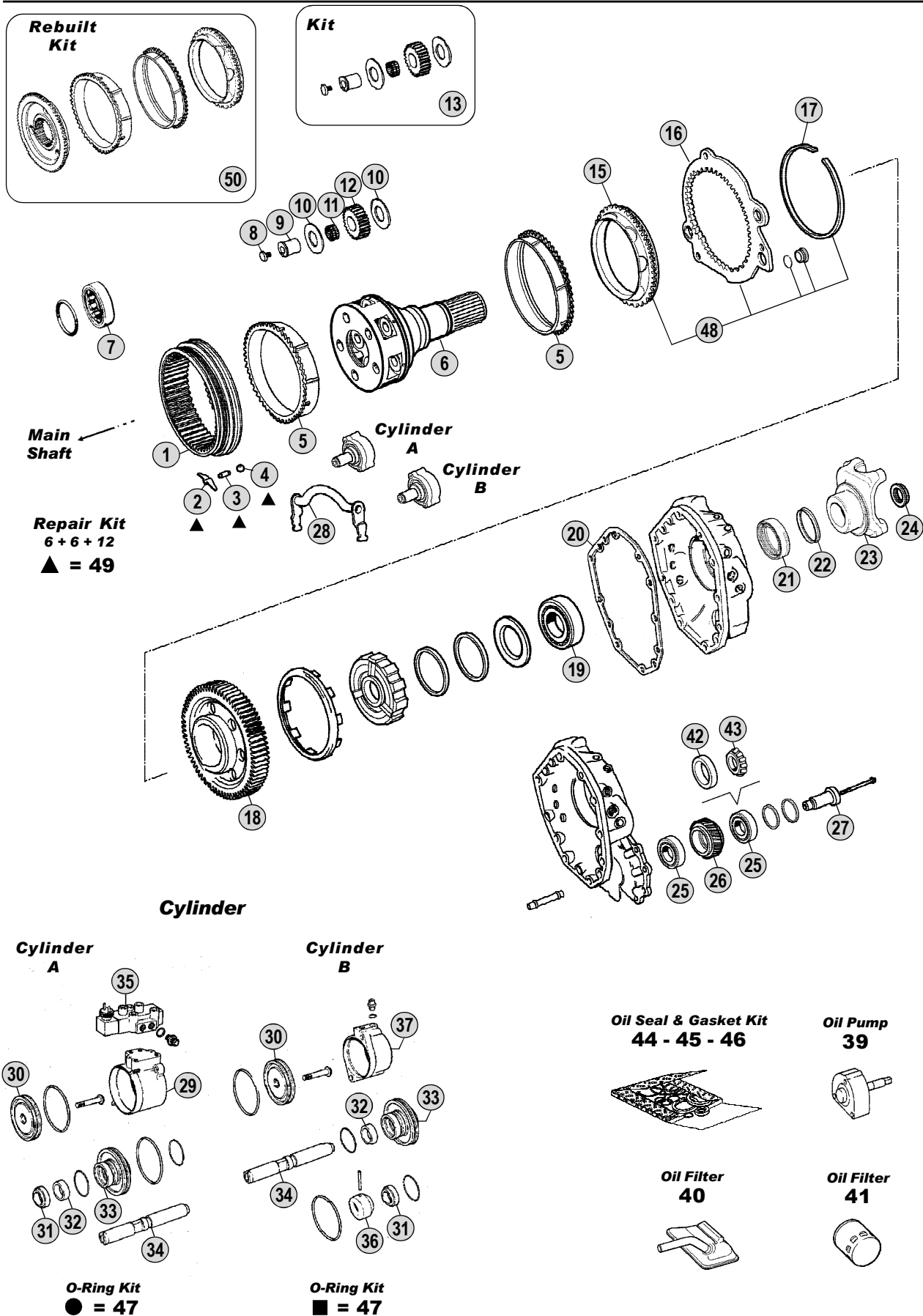
**P/R560 - P/R620**







Adattabile a : **SCANIA** **GRS920 - GRS920R** (W/Retarder)  
 Suitable To :



Models

**Serie 4 - Serie P - Serie R**

**164(580)C/G/L**

**P/R560 - P/R620**

Fig.	Rif. SCANIA	Description	Q.ty	Note	GRS920		GRS920R			
		1118030	Crown Gear 66 T	1		●	●			
		1395039	Spring	6		●	●			
		1332508	Pin	6		●	●			
		871702	Ball	12		●	●			
		1395624	Synchronizer Ring	2	(*) Old Generation	●	●			
		1770058	Synchronizer Ring	2	(*) New Generation	●	●			
		1883363	Synchronizer Ring	1	(@) Latest Generation	●	●			
		1318221	Planetary Carrier	1	Complete	●				
		1318225	Planetary Carrier	1	Complete		●			
		1300596	Bearing	1			●			
		1318714	Screw	5		●	●			
		1318713	Pin	5		●	●			
10		389419	Washer	10		●	●			
11		389434	Needle Bearing	5		●	●			
12		1373174	Planet Pinion 20 T	5		●	●			
13	CEI 198849	Repair kit	5			●	●			
15		1323147	Synchronizer Cone	1	(*) Old Generation	●	●			
15		1788170	Synchronizer Cone	1	(*) New Generation	●	●			
15		1883350	Synchronizer Cone	1	(@) Latest Generation	●	●			
16		1323145	Saddle Plate	1		●	●			
17		1302665	Snap Ring	1		●	●			
18		1426758	Retarder Gear 70 T	1			●			
19		1783324	Bearing D.60x130x31	1		●	●			
20		1305139	Gasket	1		●	●			
21		1502384	Oil Seal 85x105x13	1		●	●			
22		1300977	Dust Cover	1		●	●			
23		1340753	Output Flange	1	P30/300	●	●			
23		1422427	Output Flange	1	P40/400	●	●			
23		1422430	Output Flange	1	P50/P500	●	●			
23		1319646	Output Flange	1	P60/P600	●	●			
24		1525988	Nut M44x1,5	1		●	●			
25		361043	Bearing 40x85x33	2	Oem Old Type		●			
25		361043	Bearing 40x85x33	2	A.Market Old Type		●			
26		1373704	Gear 34 T	1			●			
27		1304747	Pin	1			●			
28		1491403	Fork	1		●	●			
29		1484808	Cylinder	1		●	●			
30		1303960	Piston	2		●	●			
31		1515869	Oil Seal Ring 22X28X5/8	2		●	●			
32		1303799	Bush	2		●	●			
33		1321239	Intermediate Element	2		●	●			
34		1332131	Shaft	2		●	●			
35		1488083	Solenoid Valve	1		●	●			
36		1337828	Sleeve	1		●	●			
36		1382339	Sleeve	1		●	●			

**Notes**

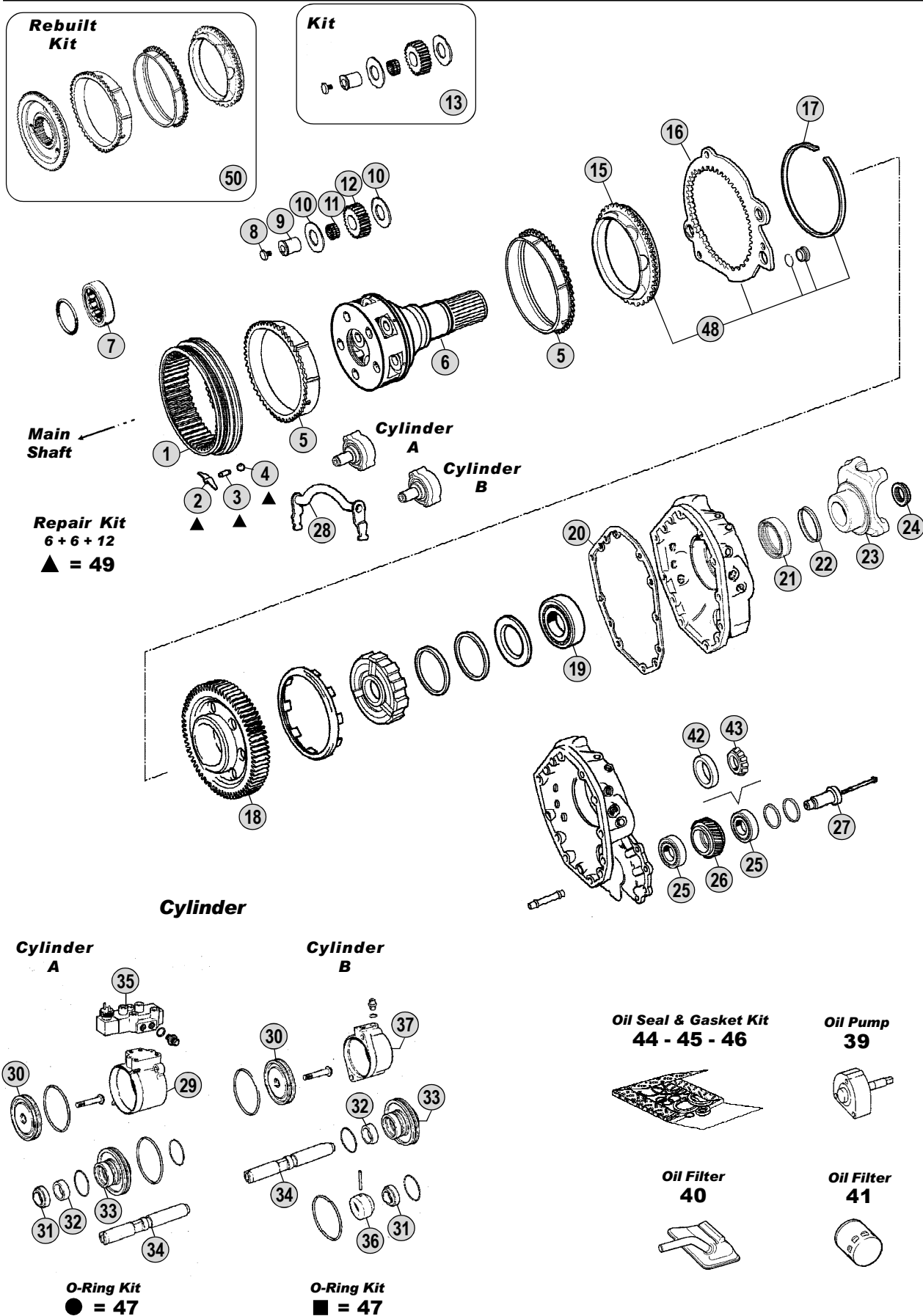
(\*) **Old and New Generation.** Can be replaced by the Synchro rebuilt kit **298.188** (Fig. 50)  
 (@) **LATEST GENERATION.** To be coupled together.

**Date**

05 / 2010

**Table****0205**

Adattabile a : **SCANIA GRS920 - GRS920R** (W/Retarder)  
 Suitable To :



Models

**Serie 4 - Serie P - Serie R**

**164(580)C/G/L**

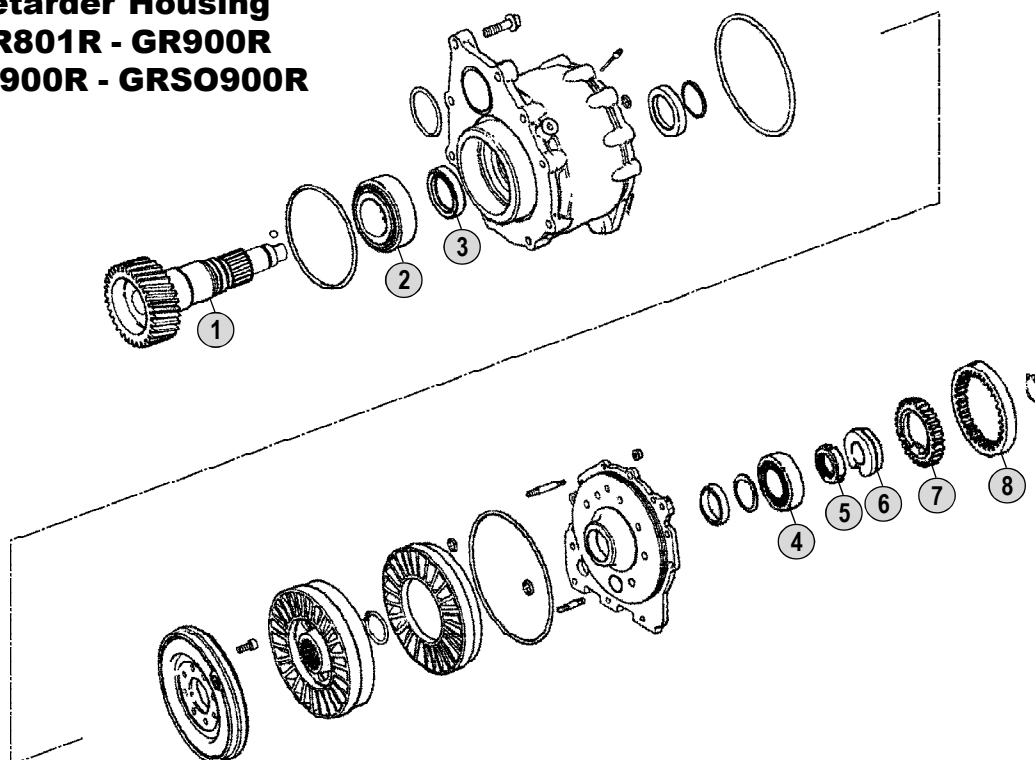
**P/R560 - P/R620**



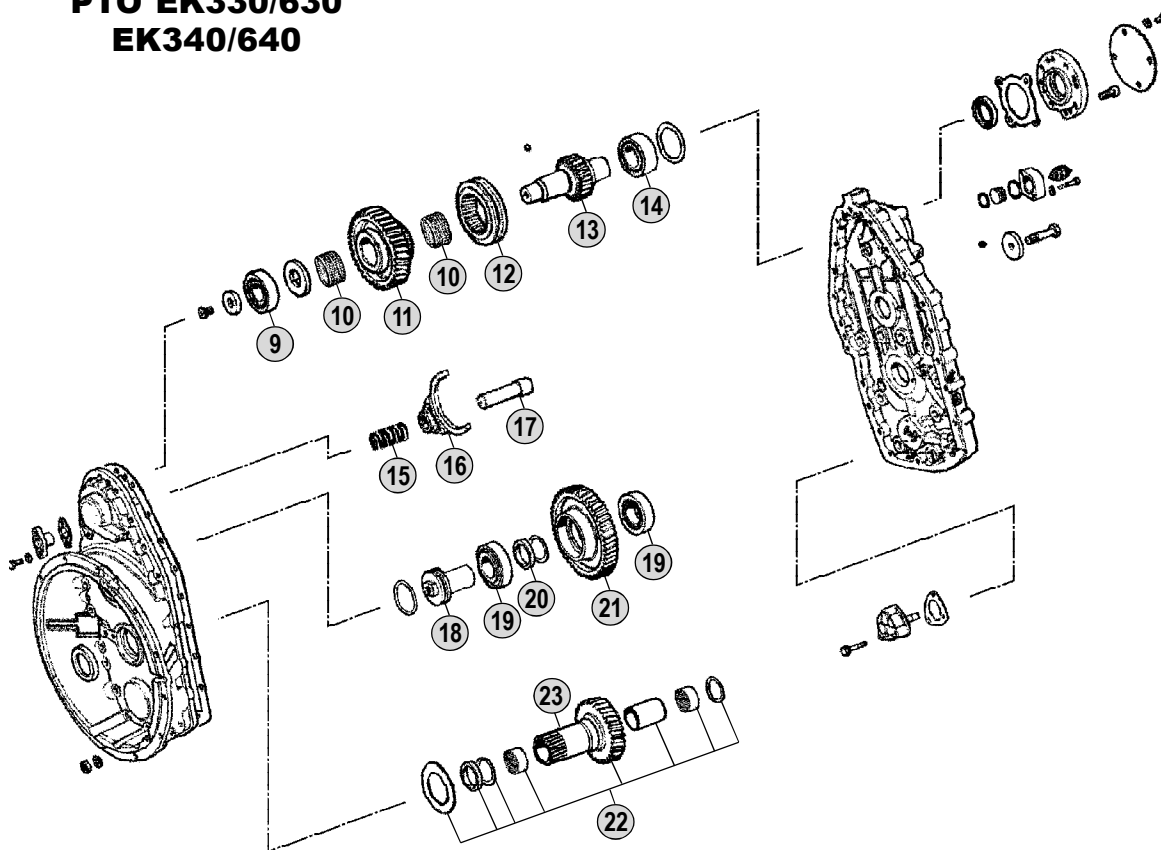
Adattabile a : **SCANIA**  
 Suitable To :

Modelli Retarder - PTO / Retarder - PTO Models

**Retarder Housing**  
**GR801R - GR900R**  
**GRS900R - GRS0900R**



**PTO EK330/630**  
**EK340/640**



Models

**Serie 4 - Serie P/G/R/T - Serie F/K/N (Bus)**



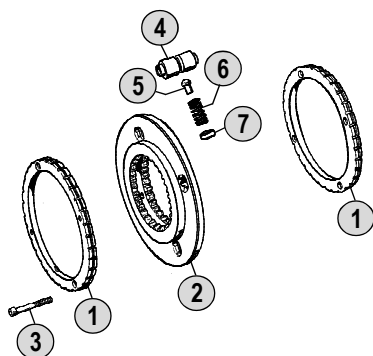
Adattabile a : **SCANIA**  
Suitable To :Modelli Cambio/ Gearbox Models  
**Synchronizer Components****196.105** 244990*Syncro Const/4th/3rd/2nd*

Fig.	SCANIA no.	Description	Q.ty
1	264895	Synchronizer cone (Steel)	2
2	194755	Sliding sleeve	1
3	244967	Screw M 6x1,00x48	4
4	332613	Shift stop	4
5	214807	Pawl	4
6	214119	Spring De.9 L=16	4
7	234324	Cup	4

Note : With Synchro cone 109.118 - 325113

Models : G760-761-764-770-772-773-774-776 / GS760-770-771-772 / GR-GRE 860 / GR-GRE 870(T) / GR-GRE 871(T)

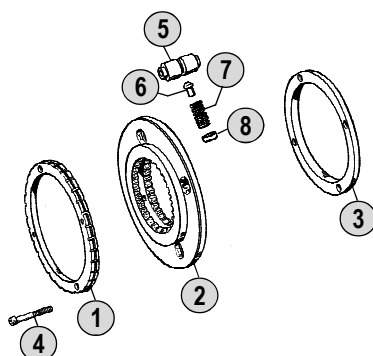
**196.173** 244991*Syncro 1st/RG*

Fig.	SCANIA no.	Description	Q.ty
1	264895	Synchronizer cone (Steel)	1
2	194755	Sliding sleeve	1
3	244965	Outer ring	1
4	244967	Screw M 6x1,00x48	4
5	332613	Shift stop	4
6	214807	Pawl	4
7	214119	Spring De.9 L=16	4
8	234324	Cup	4

Note : With Synchro cone 109.118 - 325113

Models : GR-GRE 860 / GR-GRE 870(T)

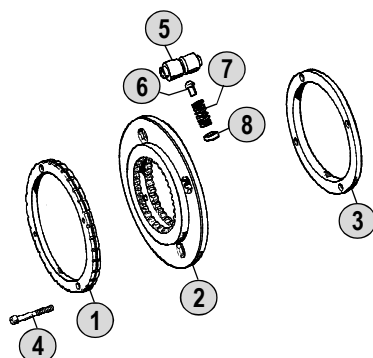
**196.343** 325107*Syncro 1st/RG*

Fig.	SCANIA no.	Description	Q.ty
1	325215	Synchronizer cone	1
2	325108	Sliding sleeve	1
3	244965	Outer ring	1
4	244967	Screw M 6x1,00x48	4
5	325109	Shift stop	4
6	325110	Pawl	4
7	244969	Spring	4
8	234324	Cup	4

Note : With Synchro cone 109.117 - 332118

Models : G776 / G777

**Models**

Series 1 All Models

Series 2 All Models

Series 3 All Models (except the ones using GR801 / GRS890 / GR900 / GRS900 / GRS920)

Series 4 --



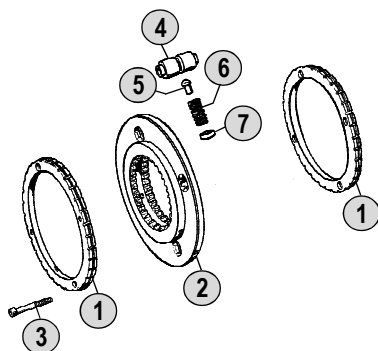
Adattabile a : **SCANIA** Synchronizer Components  
 Suitable To :
**196.216 328117****Syncro Const/4th/3rd/2nd**

Fig.	SCANIA no.	Description	Q.ty
1	325215	Synchronizer cone	2
2	328118	Sliding sleeve	1
3	244967	Screw M 6x1,00x48	4
4	325109	Shift stop	4
5	328086	Pawl	4
6	214119	Spring De.9 L=16	4
7	234324	Cup	4

Note : With Synchro cone 109.117 - 332118

Models : G770-776-777 / GH774 / GS770-771-772 / GR-GRE 870(T)

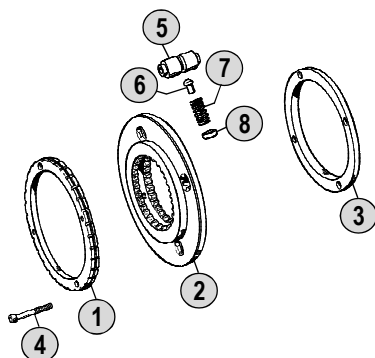
**196.345 330192****Syncro 1st/RG**

Fig.	SCANIA no.	Description	Q.ty
1	325215	Synchronizer cone	1
2	325108	Sliding sleeve	1
3	244965	Outer ring	1
4	244967	Screw M 6x1,00x48	4
5	325109	Shift stop	4
6	328086	Pawl	4
7	214119	Spring De.9 L=16	4
8	234324	Cup	4

Note : With Synchro cone 109.117 - 332118

Models : GR-GRE 870(T)

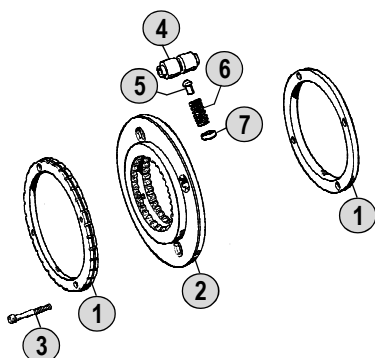
**196.344 333906****Syncro Planetary Gear (GP)**

Fig.	SCANIA no.	Description	Q.ty
1	325215	Synchronizer cone	2
2	351227	Sliding sleeve	1
3	244967	Screw M 6x1,00x48	4
4	332613	Shift stop	4
5	324238	Pawl	4
6	324243	Spring De.9 L=16	4
7	234324	Cup	4

Note : With Synchro cone 324267

Models : GS771 - 772

Notes

Date

04 / 2010

Table

**0210**

Adattabile a : **SCANIA**  
 Suitable To :

Modelli Cambio/ Gearbox Models  
**Synchronizer Components**

196.215 338706

Syncro 1st/RG

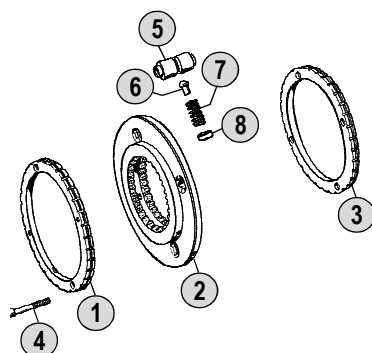


Fig.	SCANIA no.	Description	Q.ty
1	325215	Synchronizer cone	1
2	325108	Sliding sleeve	1
3	338232	Synchronizer cone	1
4	244967	Screw M 6x1,00x48	4
5	325109	Shift stop	4
6	328086	Pawl	4
7	214119	Spring De.9 L=16	4
8	234324	Cup	4

Note : With Synchro cone 109.117 - 332118

Models : GR-GRE 871(T)

196.362 353041

Syncro 1st/RG

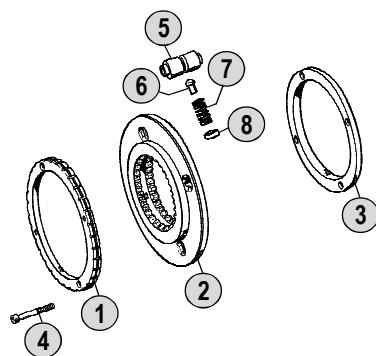


Fig.	SCANIA no.	Description	Q.ty
1	264895	Synchronizer cone (Steel)	1
2	353043	Sliding sleeve	1
3	244965	Outer ring	1
4	244967	Screw M 6x1,00x48	4
5	332613	Shift stop	4
6	214807	Pawl	4
7	214119	Spring De.9 L=16	4
8	234324	Cup	4

Note : With Synchro cone 109.118 - 325113

Models : G776

**Models**

Series 1 All Models

Series 2 All Models

Series 3 All Models (except the ones using GR801 / GRS890 / GR900 / GRS900 / GRS920)

Series 4 --

Adattabile a : **SCANIA**

Suitable To :

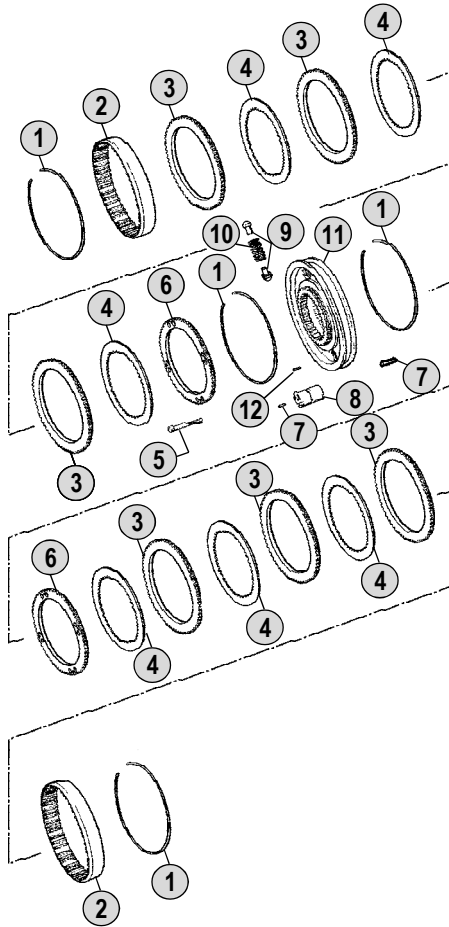
**Synchronizer Components****196.158** 244622**Syncro Planetary Gear (GP)**

Fig.	SCANIA no.	Description	Q.ty
1	264895	Synchronizer cone (Steel)	2
2	194755	Sliding sleeve	1
3	244967	Screw M 6x1,00x48	4
4	332613	Shift stop	4
5	214807	Pawl	4
6	214119	Spring De.9 L=16	4
7	234324	Cup	4

**Models :** GR-GRE 860 / GR-GRE 870(T) / GR-GRE 871(T)  
GR-GRH 880(T)

Notes

Date

04 / 2010

Table

**0220**