

# GEARBOX G 100 / 12

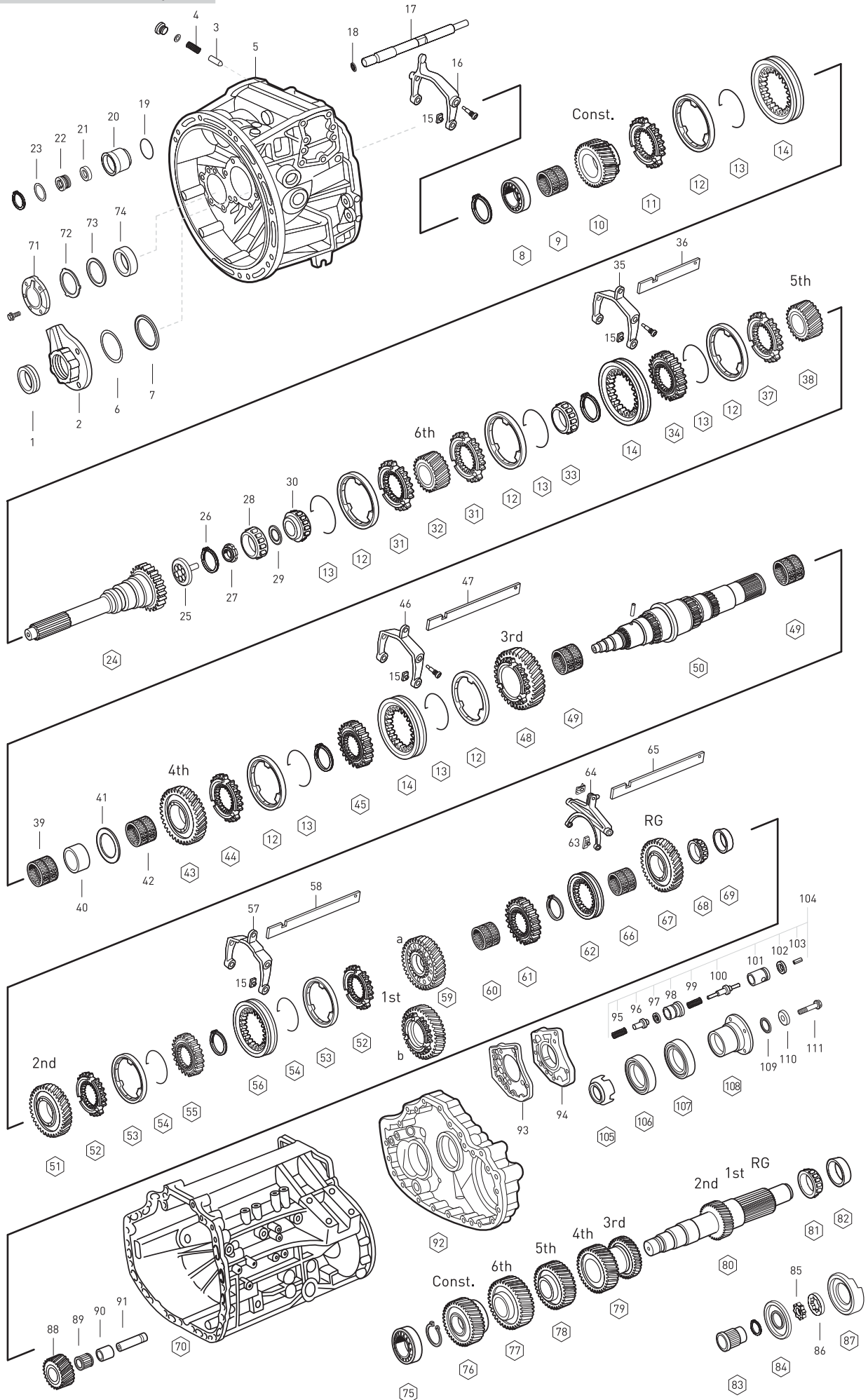


Fig.	Oem No	Oem Old No	Pcs.	Description	Sizes	Notes	[X1]-G100-12	[X2]-G100-12
1	024 997 2147		1	OIL SEAL			◆	◆
2	976 261 0318	(976 261 0218)	1	COVER			◆	◆
3	389 267 1174	(387 267 0034)	1	PIN			◆	◆
4	387 993 4401		1	SPRING	9.8X63.3mm		◆	◆
4	387 993 4501		1	SPRING	6.2X63.0mm		◆	◆
5	976 260 0023	(976 261 0501)	1	HOUSING		(2)	◆	◆
		(976 261 1901)						
5	976 261 1401		1	HOUSING		(1)	◆	◆
6	020 997 7848		1	O-RING	128.0X3.0mm		◆	◆
7	976 262 5352		1	SHIM	1.15mm		◆	◆
7	976 262 5852		1	SHIM	1.30mm		◆	◆
7	976 262 6352		1	SHIM	1.45mm		◆	◆
7	976 262 6552		1	SHIM	1.51mm		◆	◆
7	976 262 6852		1	SHIM	1.60mm		◆	◆
7	976 262 7152		1	SHIM	1.69mm		◆	◆
7	976 262 7352		1	SHIM	1.75mm		◆	◆
7	976 262 7552		1	SHIM	1.81mm		◆	◆
7	976 262 7852		1	SHIM	1.90mm		◆	◆
8	013 981 9905	(014 981 3905)	1	ROLLER BEARING			◆	◆
9	018 981 0510	(017 981 4510)	1	NEEDLE CAGE	75X67X37mm		◆	◆
10	976 262 2210	(976 262 0210)	1	CONSTANT GEAR			◆	◆
11	389 262 1134		1	ENGAGING RING			◆	◆
12	945 260 0450		6	SYNCHRONIZING CONE	177.0mm		◆	◆
12	389 262 0637		6	SYNCHRONIZING CONE	177.0mm		◆	◆
13	387 262 1093		6	SPRING			◆	◆
14	945 262 2823	(945 262 0323)	3	ENGAGING SLEEVE			◆	◆
		(945 262 0623)						
		(389 262 4123)						
		(389 262 2723)						
15	947 265 0349	(389 265 2749)	8	SLIDING PAD			◆	◆
16	945 265 0001		1	GEAR SHIT FORK			◆	◆
17	976 267 0317		1	G.SHIFT RAIL			◆	◆
18	387 263 2652		1	SPACER WASHER	0.20mm		◆	◆
18	387 263 2752		1	SPACER WASHER	0.40mm		◆	◆
18	387 263 2852		1	SPACER WASHER	0.60mm		◆	◆
18	387 263 3052		1	SPACER WASHER	1.00mm		◆	◆
19	022 997 4248		1	O-RING			◆	◆
20	945 267 0619		1	CYLINDER			◆	◆
20	945 267 0819	(945 267 0119)	1	CYLINDER			◆	◆
		(945 267 0719)						
		(945 267 0019)						

NOTES :

[X1] : for gearbox numbered label no 715320

[X2] : for gearbox numbered label no 715321

(1) to gearbox number of 000157

(2) from gearbox number of 000158

# GEARBOX G 100 / 12

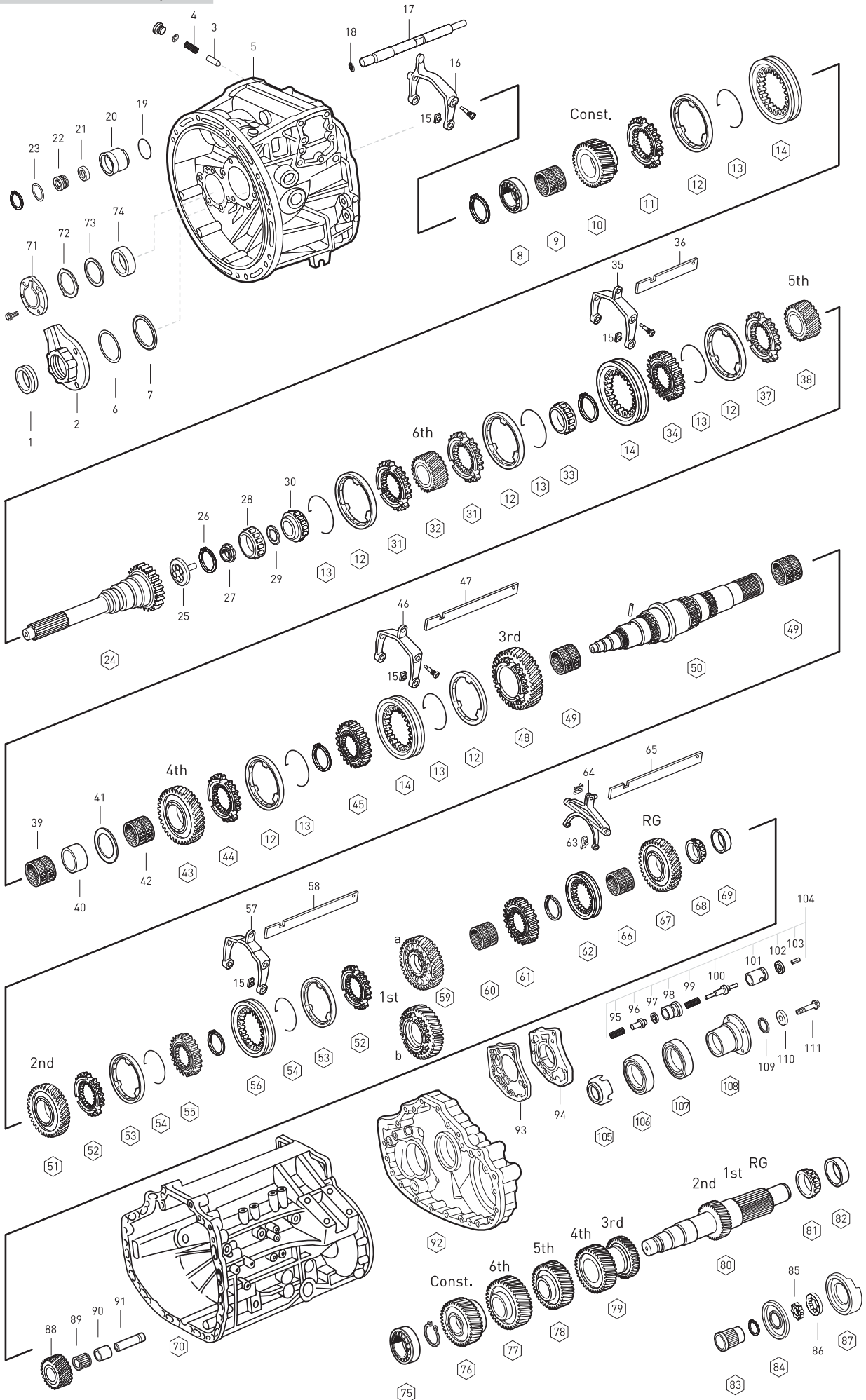


Fig.	o	Oem No	Oem Old No	Pcs	Description	Sizes	Notes	(X1)-G100-12	(X2)-G100-12
21		012 997 3347	(006 997 6447)	1	DOUBLE PACKING			◆	◆
22		945 267 0218	(387 267 0918)	1	PISTON			◆	◆
			(387 267 0618)						
23		389 262 2555		1	SPACER WASHER	0.70mm		◆	◆
23		389 262 2655		1	SPACER WASHER	0.90mm		◆	◆
23		389 262 3254		1	SPACER WASHER	1.05mm		◆	◆
23		389 262 3354		1	SPACER WASHER	1.10mm		◆	◆
23		389 262 3554		1	SPACER WASHER	1.20mm		◆	◆
23		389 262 2052		1	SPACER WASHER	1.40mm		◆	◆
23		389 262 2355		1	SPACER WASHER	1.80mm		◆	◆
23		389 262 3252		1	SPACER WASHER	2.00mm		◆	◆
23		389 262 3352		1	SPACER WASHER	2.50mm		◆	◆
24		976 262 2501	(976 262 2401)	1	INPUT SHAFT			◆	◆
24		976 262 2101	(976 262 2001)	1	INPUT SHAFT			◆	◆
			(976 262 1401)						
24		976 262 0701		1	INPUT SHAFT			◆	
25		976 269 0034		1	OIL PIPET			◆	◆
26		000 994 9841		1	RETANING RING			◆	◆
27		976 990 0150		1	NUT		(4)	◆	◆
27		976 990 0050		1	NUT		(3)	◆	◆
28		012 981 2805		1	ROLLER BEARING			◆	◆
29		976 262 5152		1	THRUST WASHER	1.50mm		◆	◆
29		976 262 5052		1	THRUST WASHER	1.47mm		◆	◆
29		976 262 4952		1	THRUST WASHER	1.44mm		◆	◆
29		976 262 4852		1	THRUST WASHER	1.41mm		◆	◆
29		976 262 4752		1	THRUST WASHER	1.38mm		◆	◆
29		976 262 4652		1	THRUST WASHER	1.35mm		◆	◆
29		976 262 4552		1	THRUST WASHER	1.32mm		◆	◆
29		976 262 4452		1	THRUST WASHER	1.29mm		◆	◆
29		976 262 4352		1	THRUST WASHER	1.26mm		◆	◆
29		976 262 4252		1	THRUST WASHER	1.23mm		◆	◆
29		976 262 4152		1	THRUST WASHER	1.20mm		◆	◆
29		976 262 4052		1	THRUST WASHER	1.17mm		◆	◆
29		976 262 3952		1	THRUST WASHER	1.14mm		◆	◆
29		976 262 3852		1	THRUST WASHER	1.11mm		◆	◆
29		976 262 3752		1	THRUST WASHER	1.08mm		◆	◆
29		976 262 3652		1	THRUST WASHER	1.05mm		◆	◆
29		976 262 3552		1	THRUST WASHER	1.02mm		◆	◆
29		976 262 3452		1	THRUST WASHER	0.99mm		◆	◆
29		976 262 3352		1	THRUST WASHER	0.96mm		◆	◆
29		976 262 3252		1	THRUST WASHER	0.93mm		◆	◆

NOTES :

[X1] : for gearbox numbered label no 715320

[X2] : for gearbox numbered label no 715321

[3] to gearbox number of 026813

[4] from gearbox number of 026814

# GEARBOX G 100 / 12

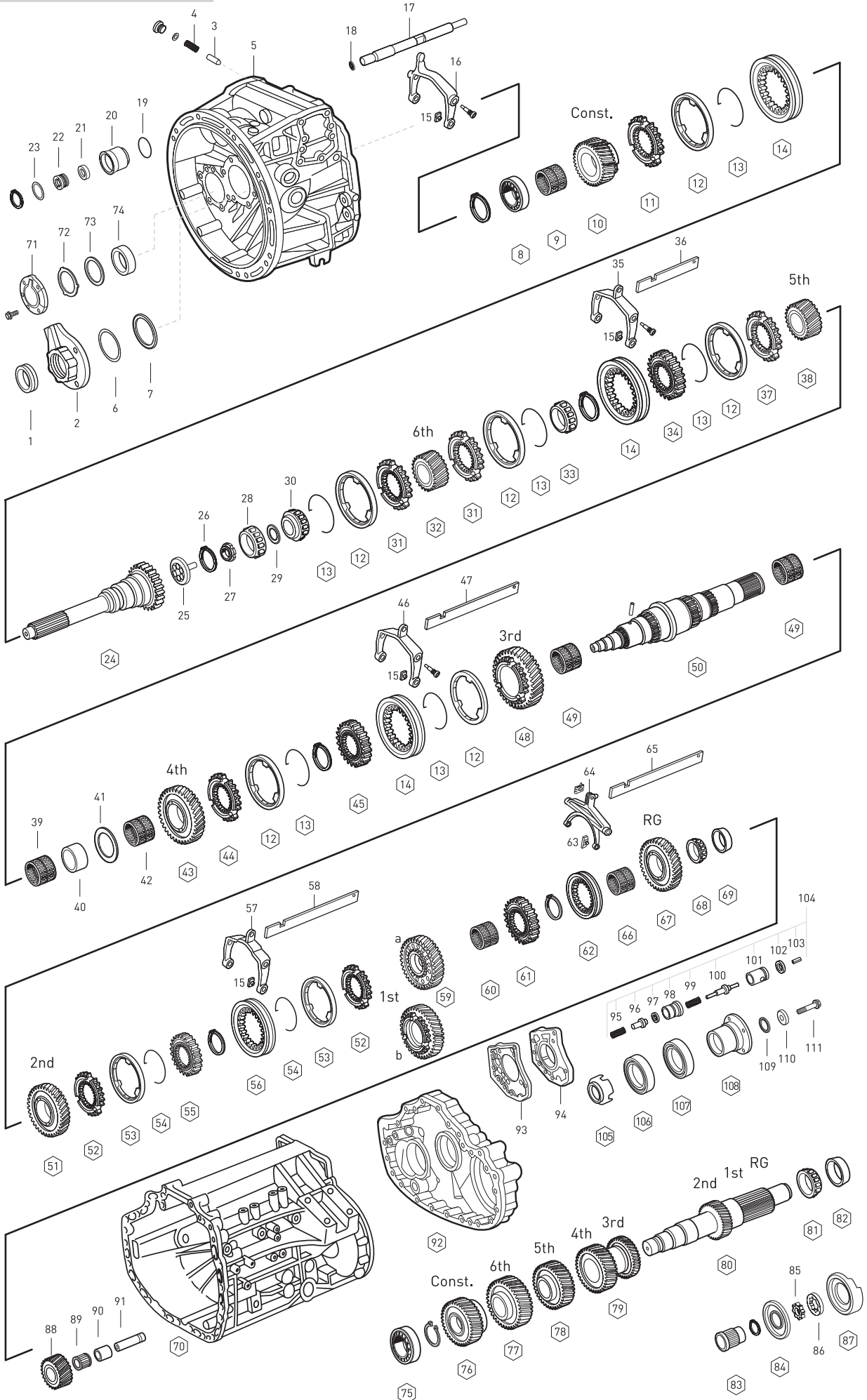


Fig.	Oem No	Oem Old No	Pcs	Description	Sizes	Notes	[X1]-G100-12	[X2]-G100-12
29	976 262 3152		1	THRUST WASHER	0.90mm		◆	◆
29	976 262 3052		1	THRUST WASHER	0.87mm		◆	◆
29	976 262 2952		1	THRUST WASHER	0.84mm		◆	◆
29	976 262 2852		1	THRUST WASHER	0.81mm		◆	◆
30	013 981 0305	(012 981 3405)	1	ROLLER BEARING			◆	◆
31	976 262 2834	(976 262 0534)	2	ENGAGING RING			◆	◆
32	976 262 1510	(976 262 2310)	1	GEAR 6th			◆	◆
33	013 981 0405	(012 981 3505)	1	ROLLER BEARING			◆	◆
34	389 262 1935		1	GUIDE SLEEVE			◆	◆
35	976 260 0530		1	GEAR SHIT FORK			◆	◆
36	976 265 0704	(976 265 0804)	1	SHIFTING ROD			◆	◆
37	945 262 4034	(389 262 5334)	1	ENGAGING RING			◆	◆
38	976 262 1615	(976 262 0915)	1	GEAR 5th			◆	◆
		(976 262 1515)						
		(976 262 0015)						
39	019 981 4710	(001 981 3512)	1	NEEDLE CAGE			◆	◆
40	976 262 0350		1	BEARING RACE			◆	◆
41	976 262 0052		1	THRUST WASHER	100X63X6mm		◆	◆
42	009 981 1510	(017 981 7810)	1	NEEDLE CAGE	78X86X35mm		◆	◆
43	976 262 0814	(976 262 0214)	1	GEAR 4th			◆	◆
43	389 262 1114	(389 262 0914)	1	GEAR 4th			◆	◆
		(389 262 0614)						
		(389 262 0814)						
		(389 262 0414)						
		(389 262 0214)						
44	389 262 5434	(945 262 0134)	1	ENGAGING RING	157.0mm		◆	◆
		(945 262 0334)						
45	389 262 2735		1	GUIDE SLEEVE			◆	◆
46	976 260 0230		1	GEAR SHIT FORK			◆	◆
47	976 265 0204		1	SHIFTING ROD			◆	◆
48	976 262 1113	(976 262 1013)	1	GEAR 3rd			◆	◆
		(976 262 0713)						
		(389 262 2713)						
		(976 262 0913)						
		(976 262 0113)						
49	018 981 7910	(008 981 8610)	2	NEEDLE CAGE	92X100X49.5mm		◆	◆
50	976 262 2105	(976 262 2005)	1	MAIN SHAFT		[4]	◆	◆
50	976 262 1505	(976 262 1305)	1	MAIN SHAFT		[3]	◆	◆
		(976 262 1105)						
51	976 262 1612	(976 262 1512)	1	GEAR 2nd			◆	◆
		(976 262 1412)						

NOTES :

[X1] : for gearbox numbered label no 715320

[X2] : for gearbox numbered label no 715321

[3] to gearbox number of 026813

[4] from gearbox number of 026814

# GEARBOX G 100 / 12

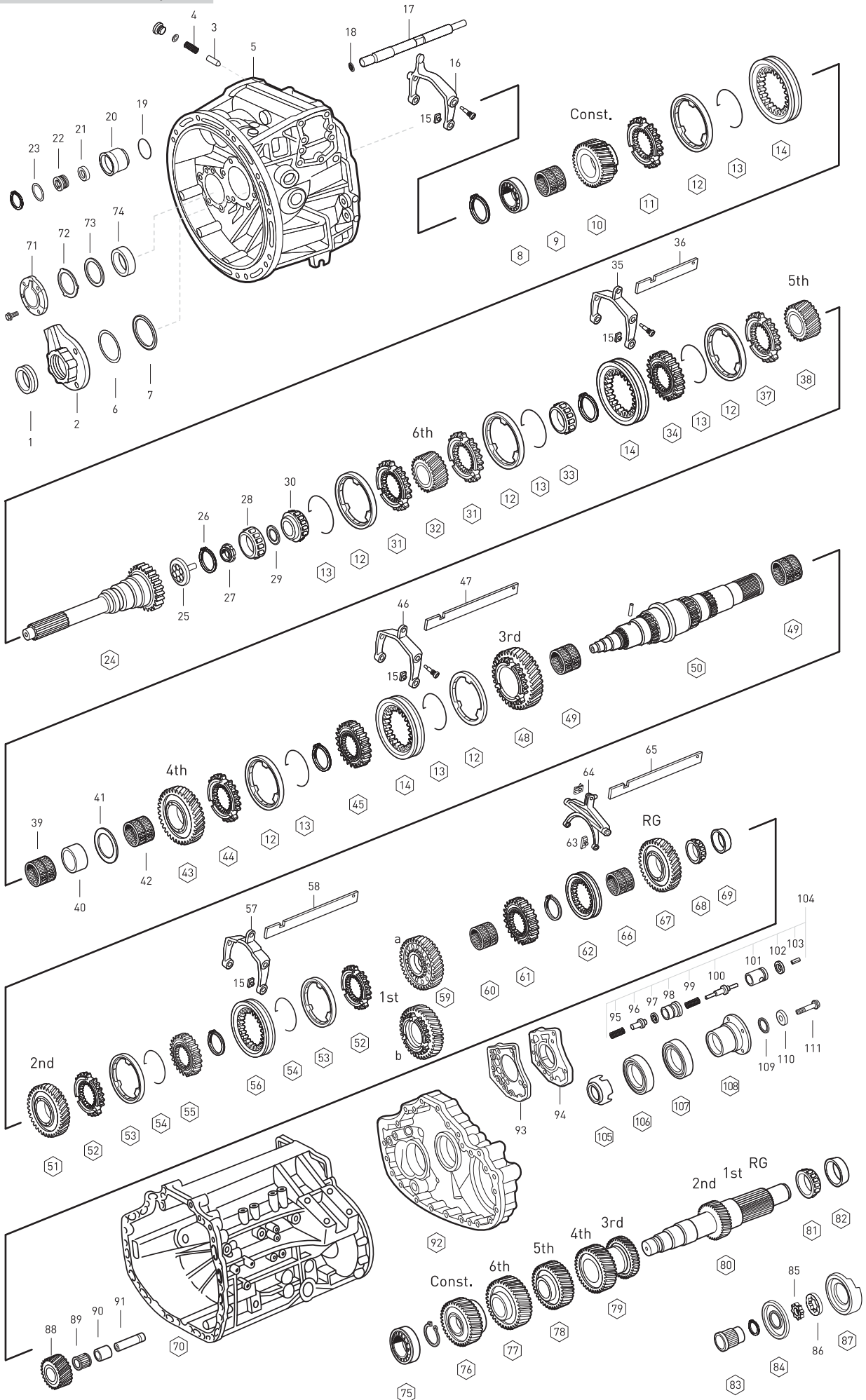


Fig.	o	Oem No	Oem Old No	Pcs.	Description	Sizes	Notes	[X1]-G100-12	[X2]-G100-12
51		976 262 1612	(389 262 2712)	1	GEAR 2nd			◆	◆
			(976 262 1312)						
			(976 262 0612)						
			(976 262 1212)						
			(976 262 0312)						
52		945 262 0434	(389 262 0034)	2	ENGAGING RING			◆	◆
53		945 260 0650		2	SYNCHRONIZING CONE			◆	◆
53		389 262 0737		2	SYNCHRONIZING CONE	196.0mm		◆	◆
54		387 262 0893		2	SPRING	167.0mm		◆	◆
55		389 262 1135		1	GUIDE SLEEVE			◆	◆
56		945 262 2723	(945 262 0423)	1	ENGAGING SLEEVE			◆	◆
			(389 262 2623)						
57		976 260 0830		1	SHIFTING FORK			◆	◆
58		976 265 0304		1	SHIFTING ROD			◆	◆
59a		976 262 1211	(976 262 0511)	1	GEAR 1st			◆	◆
			(976 262 1311)						
			(976 262 0211)						
59b		976 262 0011		1	GEAR 1st		(5)	◆	◆
60		019 981 1510	(010 981 4810)	1	NEEDLE BEARING	85X93X40mm		◆	◆
61		976 262 0335		1	GUIDE SLEEVE			◆	◆
62		389 262 1723	(389 262 0023)	1	ENGAGING SLEEVE			◆	◆
62		389 262 1823	(389 262 0923)	1	ENGAGING SLEEVE			◆	◆
63		947 265 0249	(945 265 0149)	2	SLIDING PAD			◆	◆
64		976 260 0030	(976 260 1030)	1	SHIFTING FORK			◆	◆
			(976 260 1230)						
65		976 265 0404		1	SHIFTING ROD			◆	◆
66		018 981 8110	(018 981 7610)	1	NEEDLE BEARING	75X83X48mm		◆	◆
67		976 262 1333	(976 262 0233)	1	REVERSE GEAR			◆	◆
68		002 981 4581		1	ROLLER BEARING			◆	◆
69		001 981 9680		1	BEARING RACE			◆	◆
70		976 261 4003		1	HOUSING			◆	◆
70		976 261 2003	(976 261 2203)	1	HOUSING			◆	◆
			(976 261 1903)						
70		976 261 1603	(976 261 1503)	1	HOUSING			◆	◆
70		976 261 0903		1	HOUSING			◆	◆
70		976 261 3703		1	HOUSING			◆	◆
71		976 261 1633	(976 261 1733)	1	COVER		(2)	◆	◆
			(976 261 1833)						
71		976 261 1133	(976 261 0933)	1	COVER		(1)	◆	◆
			(976 261 1033)						
72		028 997 2348	(004 997 2248)	1	O-RING	100.0X3.0mm	(2)	◆	◆

NOTES :

[X1] : for gearbox numbered label no 715320

[X2] : for gearbox numbered label no 715321

(1) to gearbox number of 000157

(2) from gearbox number of 000158

(5) welded version



# GEARBOX G 100 / 12

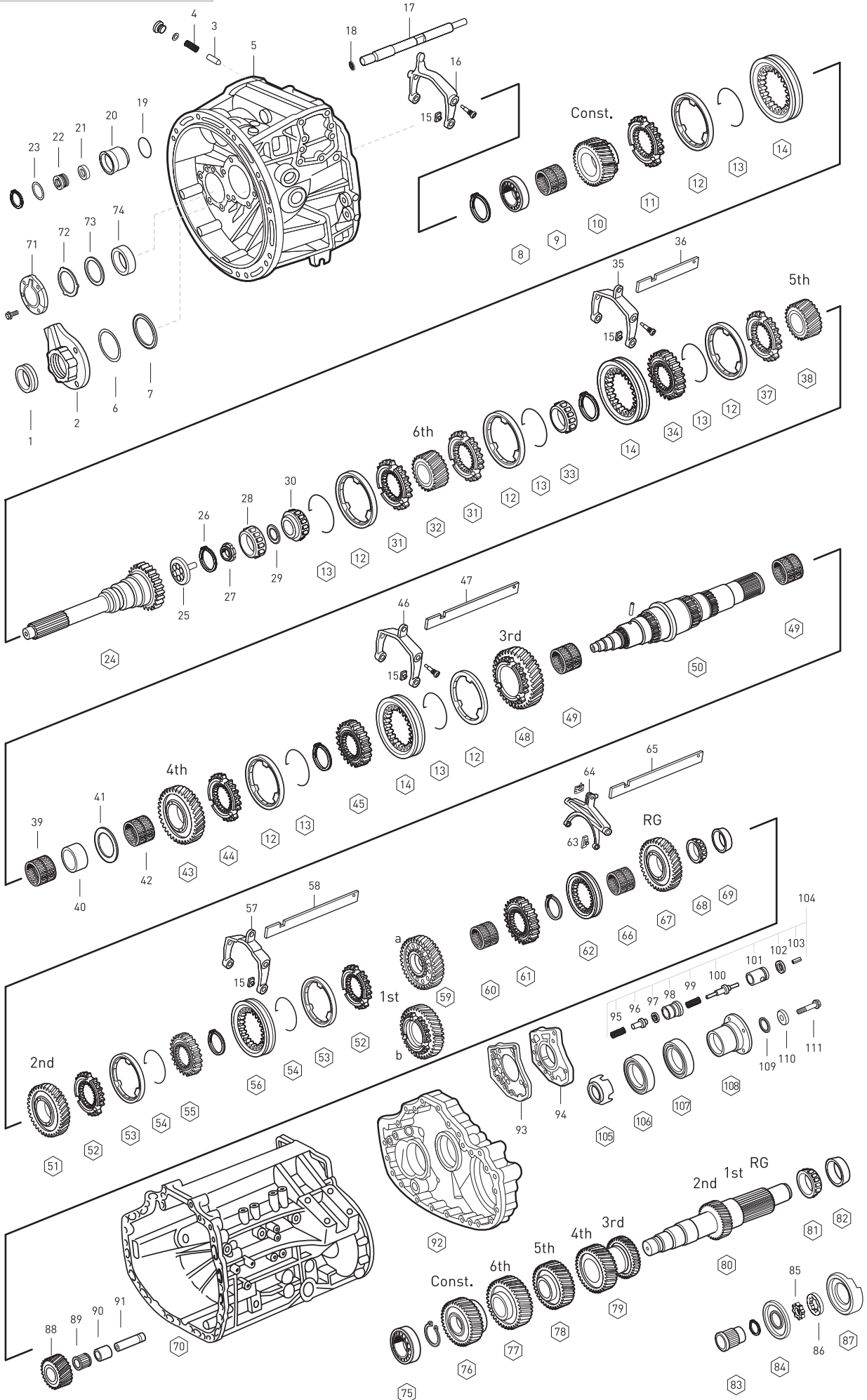


Fig.	Oem No	Oem Old No	Pcs	Description	Sizes	Notes	[X1]-G100-12	[X2]-G100-12
72	022 997 4048		1	O-RING	103.0X2.0mm	(1)	◆	◆
73	389 263 5352		1	SHIM	0.40mm		◆	◆
73	389 263 5852		1	SHIM	0.55mm		◆	◆
73	389 263 6352		1	SHIM	0.70mm		◆	◆
73	389 263 6852		1	SHIM	0.85mm		◆	◆
73	389 263 7352		1	SHIM	1.00mm		◆	◆
73	389 263 7852		1	SHIM	1.15mm		◆	◆
73	389 263 8352		1	SHIM	1.30mm		◆	◆
74	945 264 0051		1	THRUST WASHER			◆	◆
75	014 981 1405	(013 981 0605)	1	ROLLER BEARING			◆	◆
76	976 263 1510	(976 263 0810)	1	CONSTANT GEAR			◆	◆
77	976 263 1710	(976 263 0710)	1	GEAR 6th			◆	◆
78	976 263 0615	(976 263 0215)	1	GEAR 5th			◆	◆
79	976 263 0213	(389 263 2113)	1	DOUBLE GEAR 3rd/4th			◆	◆
80	976 263 0402		1	COUNTER SHAFT			◆	◆
81	002 981 4681		1	ROLLER BEARING			◆	◆
82	001 981 9780		1	BEARING RACE			◆	◆
83	976 269 0010	(976 269 0110)	1	OIL PUMP SHAFT			◆	◆
84	389 269 2001	(389 269 1901)	1	OIL PUMP COVER			◆	◆
85	389 269 1606		1	OIL PUMP GEAR			◆	◆
86	389 269 0706		1	ROTOR			◆	◆
87	389 269 2201	(389 269 2101)	1	OIL PUMP HOUSING			◆	◆
88	976 263 0031		1	REV.IDLER GEAR			◆	◆
89	019 981 4610		1	NEEDLE CAGE			◆	◆
90	976 263 0050		1	BUSHING			◆	◆
91	976 263 0030		1	PIN			◆	◆
92	976 261 0020		1	HOUSING			◆	◆
93	945 261 0080		1	GASKET	(PTO)		◆	◆
94	656 261 0133	(389 261 2533)	1	COVER	(PTO)		◆	◆
		(389 261 1333)						
		(389 261 1233)						
95	389 993 5301		1	SPRING			◆	◆
96	389 269 1026	(389 269 0926)	1	SELECTOR VALVE			◆	◆
97	013 997 0148		1	O-RING	13.3X2.4mm		◆	◆
98	389 269 1444	(389 269 0744)	1	VALVE INSERT			◆	◆
		(389 269 0144)						
99	389 993 4401		1	SPRING	11.5X41.9X1.0mm		◆	◆
100	389 269 0826		1	SELECTOR VALVE			◆	◆
101	389 269 0844		1	BALL			◆	◆
102	013 997 0048		1	O-RING	19.2X3.0mm		◆	◆
103	001481 004 001		1	CLAMPING SLEEVE			◆	◆

NOTES :

[X1] : for gearbox numbered label no 715320

[X2] : for gearbox numbered label no 715321

(1) to gearbox number of 000157

G 100 - 12

# GEARBOX G 100 / 12

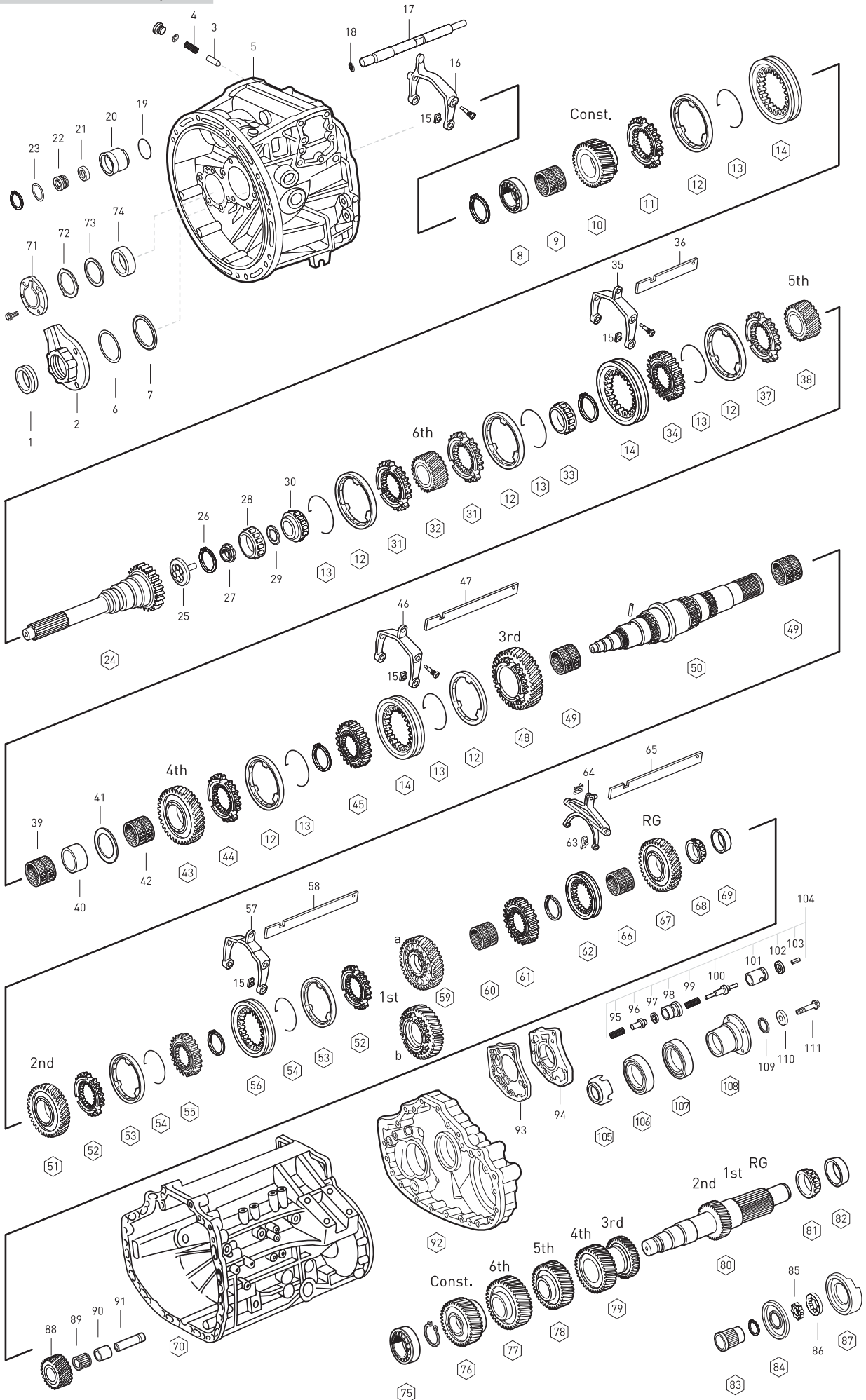


Fig.	Oem No	Oem Old No	Pcs.	Description	Sizes	Notes	[X1]-G100-12	[X2]-G100-12
104	655 260 0157		1	VALVE KIT	(PT0)		◆	◆
105	387 262 0928		1	PULSE STAR			◆	◆
106	020 997 9947	(017 997 2547) (008 997 0347) (007 997 9847)	1	OIL SEAL	10.0mm		◆	◆
107	023 997 8547	(023 997 8847) (020 997 6447)	1	OIL SEAL	15.5mm		◆	◆
107	012 997 4447	(017 997 7947) (008 997 0047)	1	OIL SEAL	10.0mm		◆	◆
108	976 262 0345	(947 262 0345)	1	COMPANION FLANGE		(7)	◆	◆
108	976 262 0145	(976 262 0045)	1	COMPANION FLANGE		(6)	◆	◆
109	027 997 3048		1	O-RING			◆	◆
110	976 262 0362	(976 262 0162)	1	THRUST WASHER			◆	◆
111	000000 000 963		1	SCREW	M20X80mm		◆	◆

NOTES :

- [X1] : for gearbox numbered label no 715320
- [X2] : for gearbox numbered label no 715321
- (6) to gearbox number of 002157
- (7) from gearbox number of 002158

# GEARBOX G100-12

SYNCHRONIZER KIT CONST.

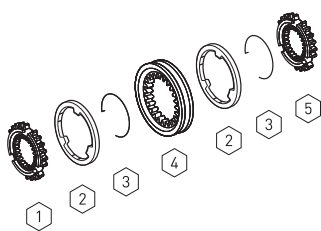


Fig.	o. Oem No	Oem Old No	Pcs	Description
	<b>2106186</b>		Kit	T SYNCHRONIZER KIT Const
1	<b>389 262 1134</b>		1	ENGAGING RING
2	<b>389 262 0637</b>		2	SYNCHRONIZING CONE
3	<b>387 262 1093</b>		2	SPRING
4	<b>945 262 2823</b>	<b>(945 262 0323)</b>	1	ENGAGING SLEEVE
		<b>(945 262 0623)</b>		
		<b>(389 262 4123)</b>		
		<b>(389 262 2723)</b>		
5	<b>976 262 2834</b>	<b>(976 262 0534)</b>	1	ENGAGING RING

SYNCHRONIZER KIT 5th/6th

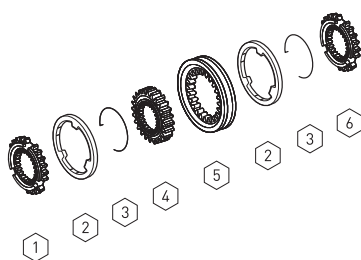


Fig.	o. Oem No	Oem Old No	Pcs	Description
	<b>2106187</b>		Kit	SYNCH.KIT 5th/6th
1	<b>976 262 2834</b>	<b>(976 262 0534)</b>	1	ENGAGING RING
2	<b>389 262 0637</b>		2	SYNCHRONIZING CONE
3	<b>387 262 1093</b>		2	SPRING
4	<b>389 262 1935</b>		1	GUIDE SLEEVE
5	<b>945 262 2823</b>	<b>(945 262 0323)</b>	1	ENGAGING SLEEVE
		<b>(945 262 0623)</b>		
		<b>(389 262 4123)</b>		
		<b>(389 262 2723)</b>		
6	<b>945 262 4034</b>	<b>(389 262 5334)</b>	1	ENGAGING RING

SYNCHRONIZER KIT 3rd/4th

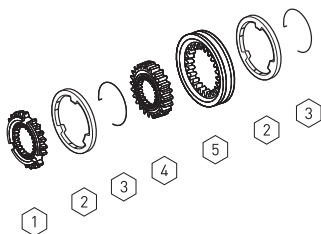


Fig.	o. Oem No	Oem Old No	Pcs	Description
	<b>2106188</b>		Kit	SYNCH.KIT 3rd/4th
1	<b>389 262 5434</b>	<b>(945 262 0134)</b>	1	ENGAGING RING
		<b>(945 262 0334)</b>		
2	<b>389 262 0637</b>		2	SYNCHRONIZING CONE
3	<b>387 262 1093</b>		2	SPRING
4	<b>389 262 2735</b>		1	GUIDE SLEEVE
5	<b>945 262 2823</b>	<b>(945 262 0323)</b>	1	ENGAGING SLEEVE
		<b>(945 262 0623)</b>		
		<b>(389 262 4123)</b>		
		<b>(389 262 2723)</b>		

SYNCHRONIZER KIT 1st/2nd

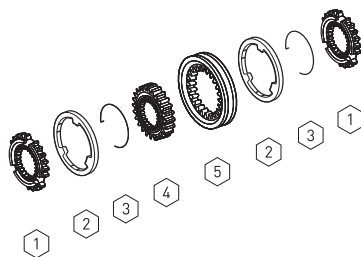


Fig.	o. Oem No	Oem Old No	Pcs	Description
	<b>2106189</b>		Kit	SYNCH.KIT 1st/2nd
1	<b>945 262 0434</b>	<b>(389 262 0034)</b>	2	ENGAGING RING
2	<b>389 262 0737</b>		2	SYNCHRONIZING CONE
3	<b>387 262 0893</b>		2	SPRING
4	<b>389 262 1135</b>		1	GUIDE SLEEVE
5	<b>945 262 2723</b>	<b>(945 262 0423)</b>	1	ENGAGING SLEEVE
		<b>(389 262 2623)</b>		

Fig.	o. Oem No	Oem Old No	Pcs	Description
1	013 981 4705		1	ROLLER BEARING
2	945 264 0406		1	DRIVE SHAFT
2	945 264 0306		1	DRIVE SHAFT
3	019 997 8747		1	O-RING
4	019 997 8647		1	O-RING
5	015 981 0805		1	ROLLER BEARING
6	013 981 4605		1	ROLLER BEARING
7	945 264 0221		1	GEAR
8	945 264 0251		1	U THRUST WASHER
9	013 981 0605		1	ROLLER BEARING
10	389 264 0652		1	SHIM (0.10mm)
10	389 264 0752		1	SHIM (0.15mm)
10	389 264 0852		1	SHIM (0.30mm)
10	389 264 0952		1	SHIM (0.50mm)
11	010 997 7445		1	O-RING
12	945 260 0027		1	SPINDLE

P.T.O. (POWER TAKE OFF)  
N.M.V. GEARBOX

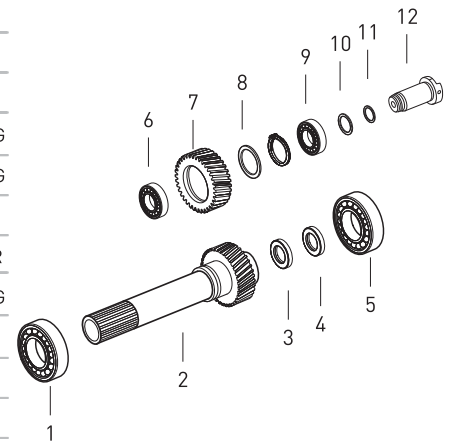
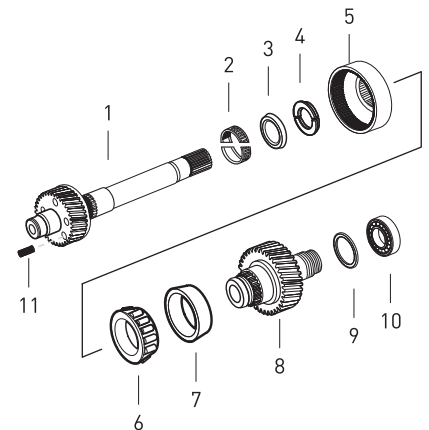


Fig.	o. Oem No	Oem Old No	Pcs	Description
1	945 264 0106	(945 264 0506)	1	DRIVE SHAFT P.T.O.
2	011 981 4110	(011 981 4010)	1	NEEDLE BEARING
3	389 264 0073		1	RETAINING RING
4	389 264 0129		1	SPL.RING (3.97mm)
4	389 264 0829		1	SPL.RING (4.12mm)
4	389 264 0929		1	SPL.RING (4.22mm)
4	389 264 0429		1	SPL.RING (4.27mm)
5	945 264 0007		1	DISC SUPPORT
6	017 981 3705	(002 981 4481)	1	INNER RING
7	001 981 9280		1	OUTER RACE
8	945 264 0321		1	GEAR
8	945 264 0421		1	GEAR
9	389 264 1252		1	SHIM (0.05mm)
9	389 264 1352		1	SHIM (0.10mm)
9	389 264 1652		1	SHIM (0.30mm)
9	389 264 1752		1	SHIM (0.50mm)
10	009 981 6705	(009 981 7205)	1	ROLLER BEARING
11	385 993 3701		5	SPRING

P.T.O. (POWER TAKE OFF)  
N.M.V. GEARBOX



# GEARBOX G211-12

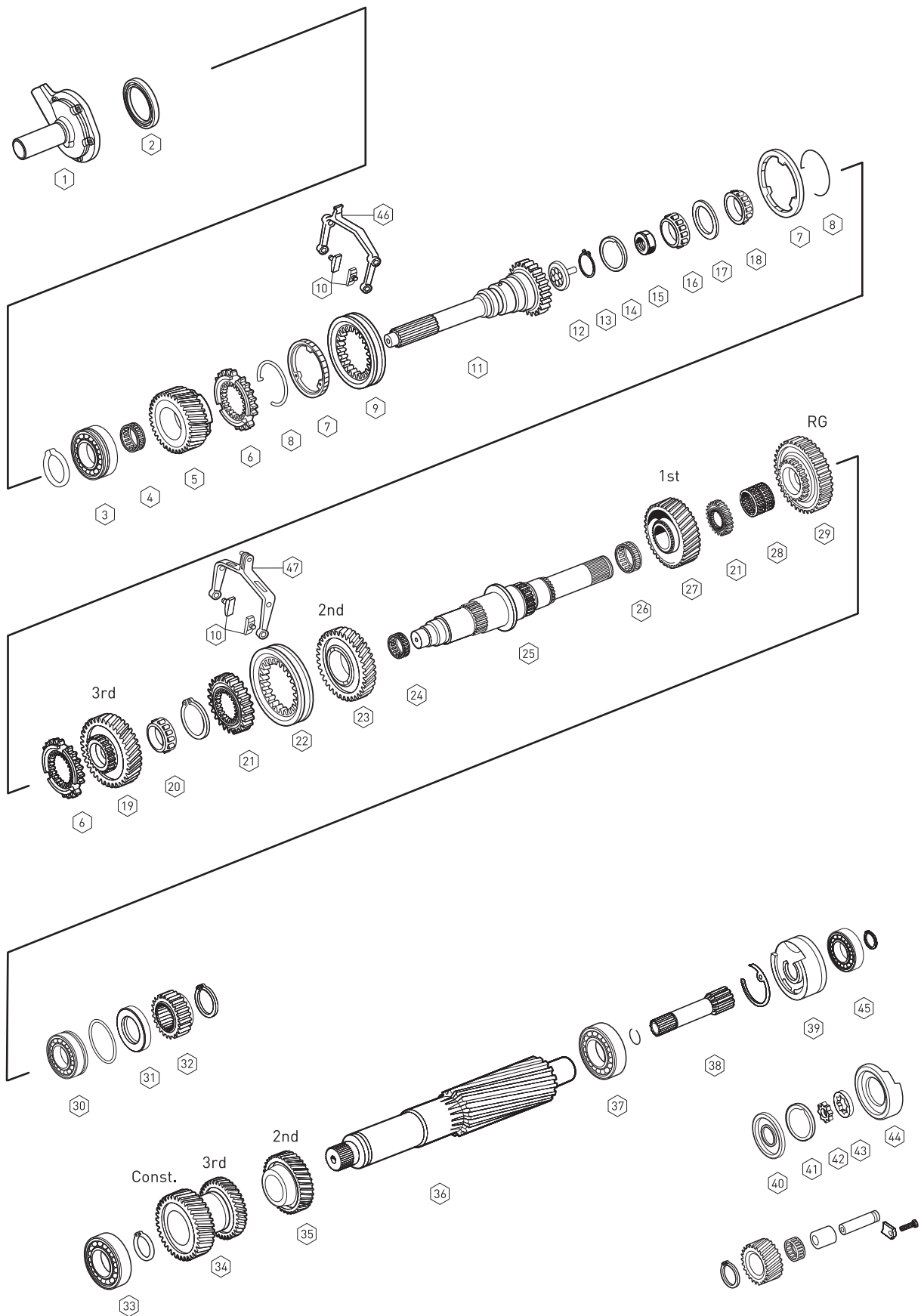


Fig.	Oem No	Oem Old No	Pcs.	Description	Sizes	Notes	[X1]-G211-12	[X2]-G211-12
1	947 261 2218		1	COVER			◆	◆
1	947 261 0818	(947 261 0618)	1	COVER			◆	◆
2	019 997 0647	(019 997 0547)	1	OIL SEAL			◆	◆
3	014 981 9005	(011 981 1305)	1	ROLLER BEARING			◆	◆
4	022 981 2110	(022 981 2010)	1	NEEDLE CAGE			◆	◆
5	947 262 5210		1	CONSTANT GEAR				◆
5	947 262 2310	(947 262 2210)	1	CONSTANT GEAR			◆	
		(947 262 2110)						
		(947 262 0310)						
		(947 262 0210)						
6	945 262 3634		2	ENGAGING RING	157.0mm		◆	◆
7	945 260 2245	(947 260 0545)	2	SYNCHRONIZING CONE	177.0mm		◆	◆
		(945 262 6337)						
8	387 262 1093		2	SPRING			◆	◆
9	945 262 6823	(945 262 6423)	1	ENGAGING SLEEVE			◆	◆
10	947 265 0349	(389 265 2749)	4	SLIDING PAD			◆	◆
11	947 262 3502		1	INPUT SHAFT				◆
11	947 262 3202	(947 262 3102)	1	INPUT SHAFT			◆	
		(947 262 2602)						
12	976 269 0034		1	OIL PIPET			◆	◆
13	000 994 9841		1	RETANING RING			◆	◆
14	000 262 9062	(000 262 8662)	1	OIL SEAL			◆	◆
15	945 990 0250		1	NUT			◆	◆
16	017 981 1305	(015 981 8505)	1	ROLLER BEARING			◆	◆
17	389 262 3352		1	THRUST WASHER	2.50mm		◆	◆
17	389 262 3252		1	THRUST WASHER	2.00mm		◆	◆
17	389 262 3152		1	THRUST WASHER	1.95mm		◆	◆
17	389 262 3052		1	THRUST WASHER	1.90mm		◆	◆
17	389 262 2952		1	THRUST WASHER	1.85mm		◆	◆
17	389 262 2455		1	THRUST WASHER	1.82mm		◆	◆
17	389 262 2355		1	THRUST WASHER	1.79mm		◆	◆
17	389 262 2255		1	THRUST WASHER	1.76mm		◆	◆
17	389 262 2155		1	THRUST WASHER	1.73mm		◆	◆
17	389 262 2055		1	THRUST WASHER	1.67mm		◆	◆
17	389 262 1955		1	THRUST WASHER	1.64mm		◆	◆
17	389 262 1855		1	THRUST WASHER	1.61mm		◆	◆
17	389 262 1755		1	THRUST WASHER	1.58mm		◆	◆
17	389 262 2352		1	THRUST WASHER	1.55mm		◆	◆
17	389 262 1655		1	THRUST WASHER	1.52mm		◆	◆
17	389 262 1555		1	THRUST WASHER	1.49mm		◆	◆
17	389 262 1455		1	THRUST WASHER	1.46mm		◆	◆

NOTES :

[X1] : for gearbox numbered label no 715350

[X2] : for gearbox numbered label no 715351

G 211 - 12



# GEARBOX G211-12

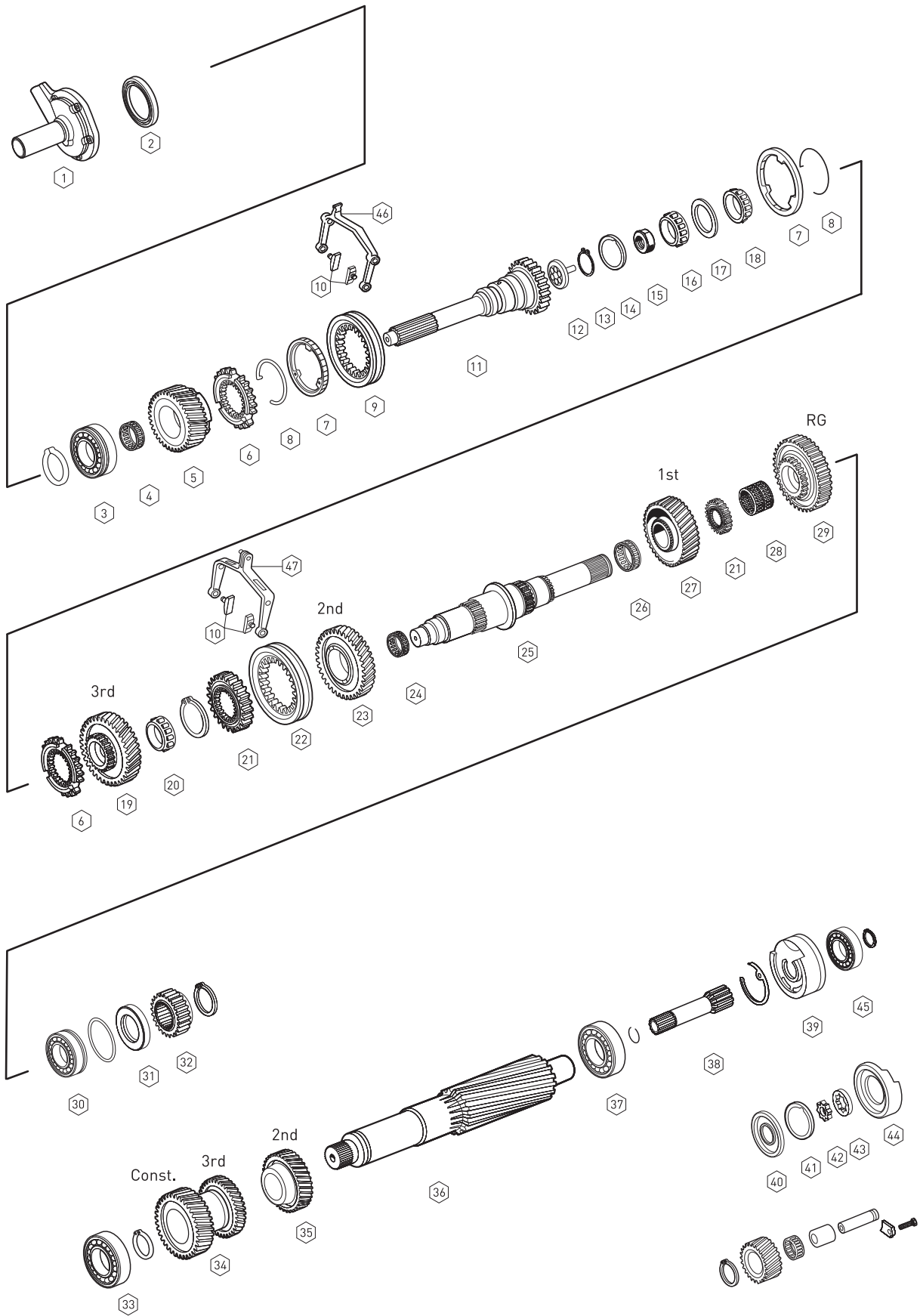


Fig.	o	Oem No	Oem Old No	Pcs	Description	Sizes	Notes	[X1]-G211-12	[X2]-G211-12
17		389 262 1355		1	THRUST WASHER	1.43mm		◆	◆
17		389 262 2052		1	THRUST WASHER	1.40mm		◆	◆
17		389 262 1952		1	THRUST WASHER	1.35mm		◆	◆
17		389 262 2754		1	THRUST WASHER	1.30mm		◆	◆
17		389 262 3654		1	THRUST WASHER	1.25mm		◆	◆
17		389 262 3554		1	THRUST WASHER	1.20mm		◆	◆
17		389 262 3454		1	THRUST WASHER	1.15mm		◆	◆
17		389 262 3354		1	THRUST WASHER	1.10mm		◆	◆
17		389 262 3254		1	THRUST WASHER	1.05mm		◆	◆
17		389 262 2854		1	THRUST WASHER	0.50mm		◆	◆
18		015 981 7605	(015 981 2005)	1	ROLLER BEARING			◆	◆
19		947 262 0117	(947 262 1510)	1	GEAR 3rd			◆	◆
20		017 981 8305		1	ROLLER BEARING			◆	◆
21		947 262 1435	(947 262 1335)	2	GUIDE SLEEVE			◆	◆
22		947 262 1123	(947 262 0423)	1	ENGAGING SLEEVE			◆	◆
23		947 262 2012	(947 262 1012)	1	GEAR 2nd			◆	◆
			(947 262 0912)						
			(947 262 0812)						
24		017 981 0210	(019 981 0910)	1	NEEDLE CAGE			◆	◆
			(012 981 9210)						
			(008 981 8310)						
			(019 981 4410)						
25		947 262 1705		1	MAIN SHAFT			◆	◆
25		947 262 1605		1	MAIN SHAFT			◆	◆
25		947 262 1505	(947 262 0705)	1	MAIN SHAFT			◆	◆
26		021 981 5710	(013 981 1210)	1	NEEDLE CAGE			◆	◆
27		947 262 5310		1	GEAR 1st			◆	◆
27		947 262 5110		1	GEAR 1st			◆	◆
28		022 981 2310	(022 981 2210)	1	NEEDLE CAGE			◆	◆
28		023 981 3010		1	NEEDLE CAGE				◆
29		960 262 0433		1	REVERSE GEAR				◆
29		947 262 1933		1	REVERSE GEAR			◆	◆
29		947 262 1633	(947 262 1533)	1	REVERSE GEAR			◆	◆
			(947 262 1433)						
30		016 981 7881	(002 981 7981)	1	ROLLER BEARING			◆	◆
31		947 990 0882		1	THRUST WASHER			◆	◆
32		947 262 1209	(947 262 1109)	1	SUN GEAR			◆	◆
			(947 262 1009)						
			(947 262 1309)						
33		014 981 1405	(013 981 0605)	1	ROLLER BEARING			◆	◆
34		947 263 2910		1	DOUBLE GEAR Const./3rd			◆	◆

NOTES :

[X1] : for gearbox numbered label no 715350  
[X2] : for gearbox numbered label no 715351

# GEARBOX G211-12

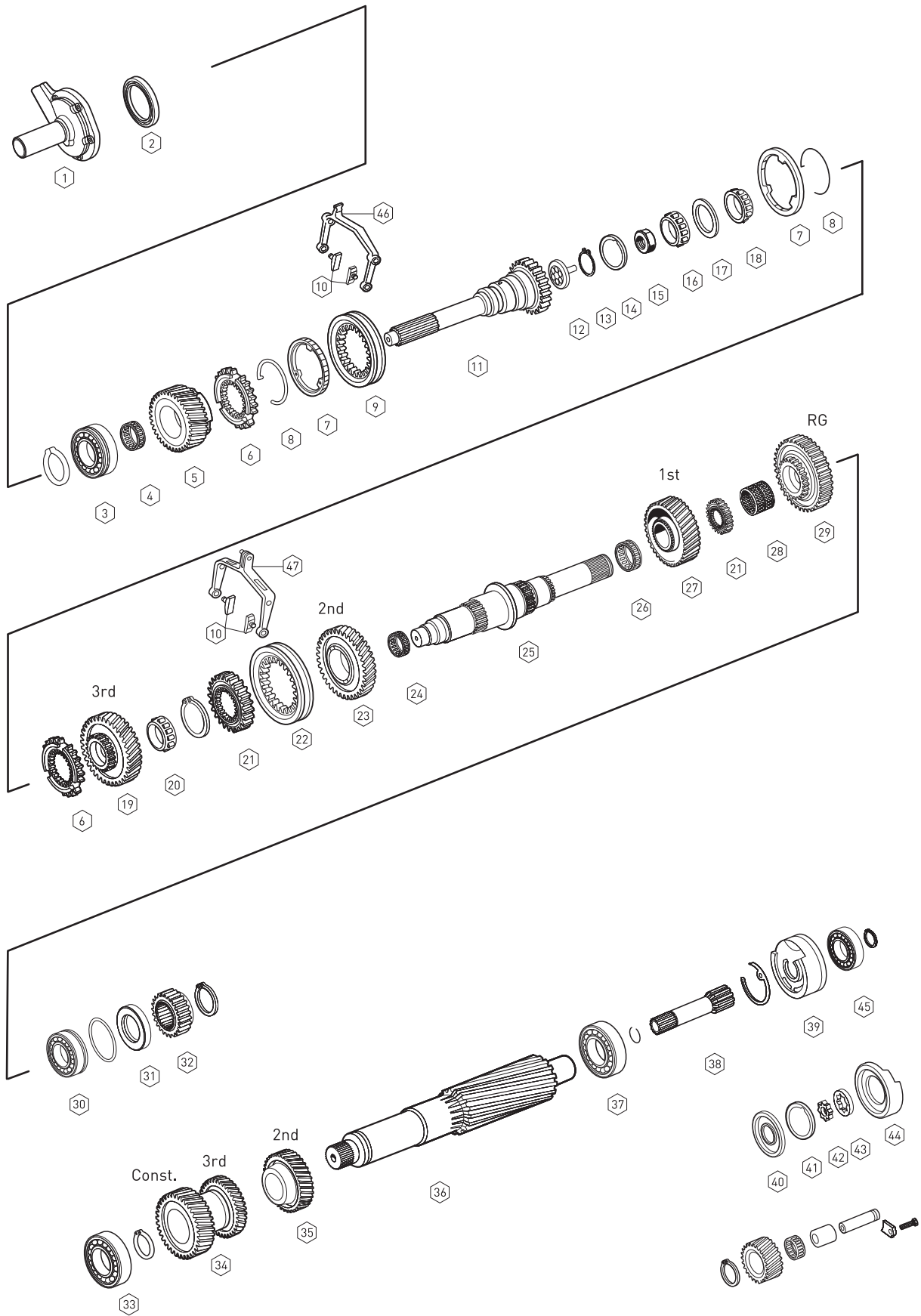
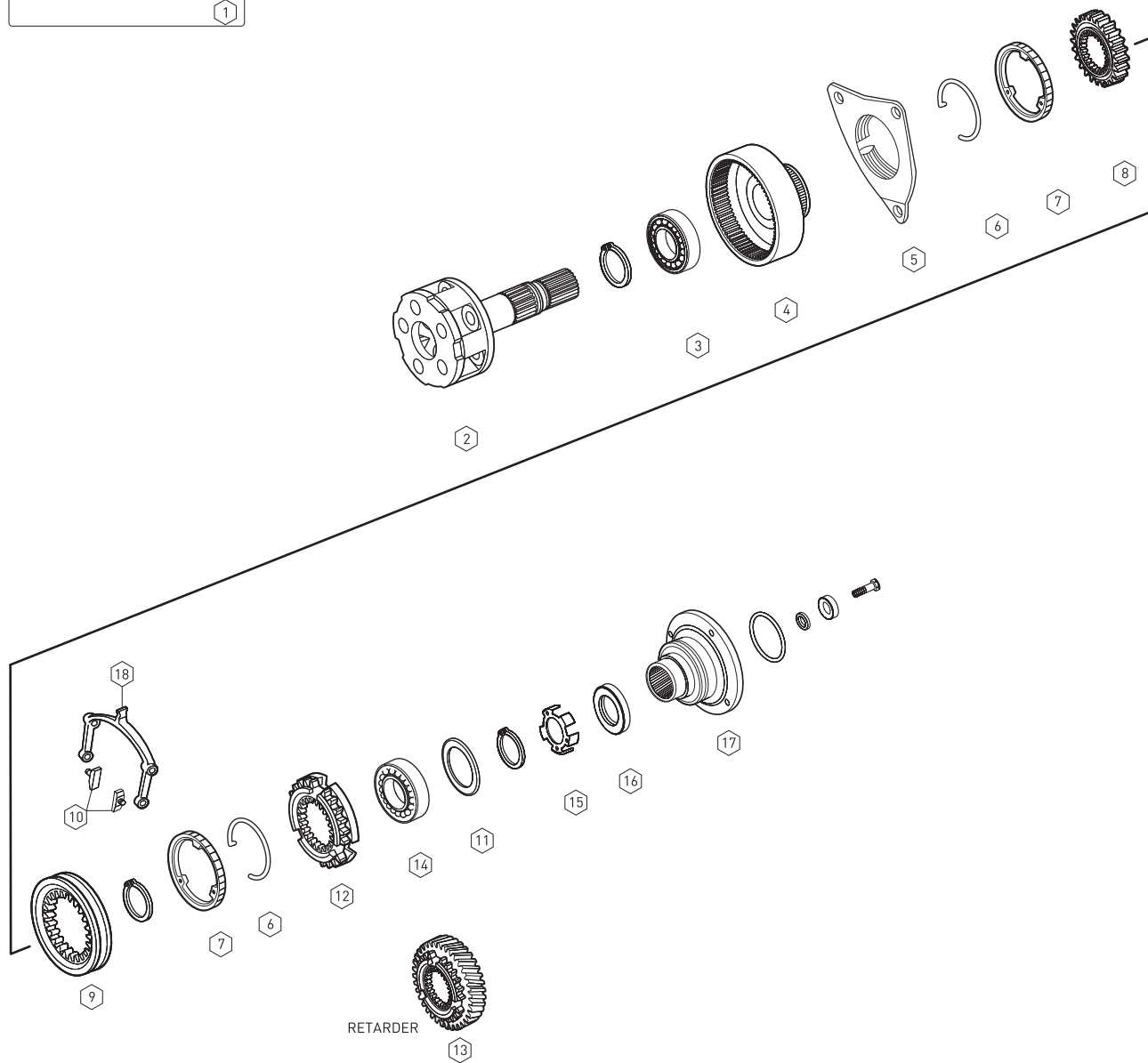
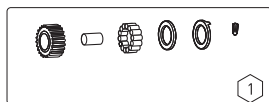


Fig.	Oem No	Oem Old No	Pcs	Description	Sizes	Notes	[X1]-G211-12	[X2]-G211-12
35	947 263 0512	(947 263 0312) (947 263 0212) (947 263 0112)	1	GEAR 2nd			◆	◆
36	947 263 2402		1	COUNTER SHAFT			◆	◆
37	002 981 7781		1	ROLLER BEARING			◆	◆
38	947 269 1110	(945 269 1110) (947 269 1010) (945 269 1010)	1	OIL PUMP SHAFT			◆	◆
39	389 260 0690	(389 260 0590)	1	OIL PUMP			◆	◆
40	945 269 0201		1	OIL PUMP COVER			◆	◆
41	029 997 5748		1	OIL SEAL			◆	◆
42	389 269 1406		1	OIL PUMP GEAR			◆	◆
43	389 269 0706		1	ROTOR			◆	◆
44	389 269 3801		1	OIL PUMP HOUSING			◆	◆
45	004 981 8625		1	ROLLER BEARING			◆	◆
46	947 263 1531		1	REV.IDLER GEAR				◆
46	947 263 1231	(947 263 1131) (947 263 1031)	1	REV.IDLER GEAR			◆	
47	003 981 2818	(023 981 3110)	1	NEEDLE CAGE				◆
47	021 981 5610	(021 981 2010)	1	NEEDLE CAGE			◆	
48	947 992 0103		1	BUSHING				◆
48	947 263 0050		1	BUSHING			◆	
49	976 263 0030		1	PIN			◆	◆

**NOTES** :

[X1] : for gearbox numbered label no 715350  
[X2] : for gearbox numbered label no 715351

# GEARBOX G211-12



[X1]-G211-12

[X2]-G211-12

Fig.	Oem No	Oem Old No	Pcs	Description	Sizes	Notes	[X1]-G211-12	[X2]-G211-12
1	947 260 0197		5	PLANETARY GEAR SET			◆	◆
2	947 260 6361		1	PLANETARY CARRIER			◆	◆
3	008 981 1325		1	ROLLER BEARING			◆	◆
4	947 262 2508	(947 262 2408)	1	ANNULUS			◆	◆
5	947 260 0736		1	FOLLOWER RING			◆	◆
6	389 262 0293		2	SPRING			◆	◆
7	947 260 3045	(947 260 0945)	2	SYNCHRONIZING CONE			◆	◆
8	389 262 4935	(389 262 2035)	1	GUIDE SLEEVE			◆	◆
9	945 262 6923		1	ENGAGING SLEEVE			◆	◆
10	947 265 0349	(389 265 2749)	2	SLIDING PAD			◆	◆
11	947 262 4052		1	SPACER WASHER			◆	◆
12	947 262 0634		1	ENGAGING RING			◆	◆
13	947 264 0420		1	ENGAGING RING	RETARDER		◆	◆
14	009 981 3625		1	ROLLER BEARING			◆	◆
14	009 981 3525		1	ROLLER BEARING			◆	◆
14	009 981 3425		1	ROLLER BEARING			◆	◆
14	009 981 3325		1	ROLLER BEARING			◆	◆
15	947 262 0528		1	PULSE STAR			◆	◆
16	016 997 2045	(013 997 6546)	1	OIL SEAL			◆	◆
17	947 262 1745		1	COMPANION FLANGE	4-H, Ø180mm		◆	◆
17	947 262 1645		1	COMPANION FLANGE	4-H, Ø180mm		◆	◆
18	013 997 2145		1	O-RING			◆	◆
19	947 262 0862		1	THRUST WASHER			◆	◆
20	000000 005 728		1	SCREW			◆	◆

## NOTES :

[X1] : for gearbox numbered label no 715350

[X2] : for gearbox numbered label no 715351

G 211 - 12

# GEARBOX G131/9

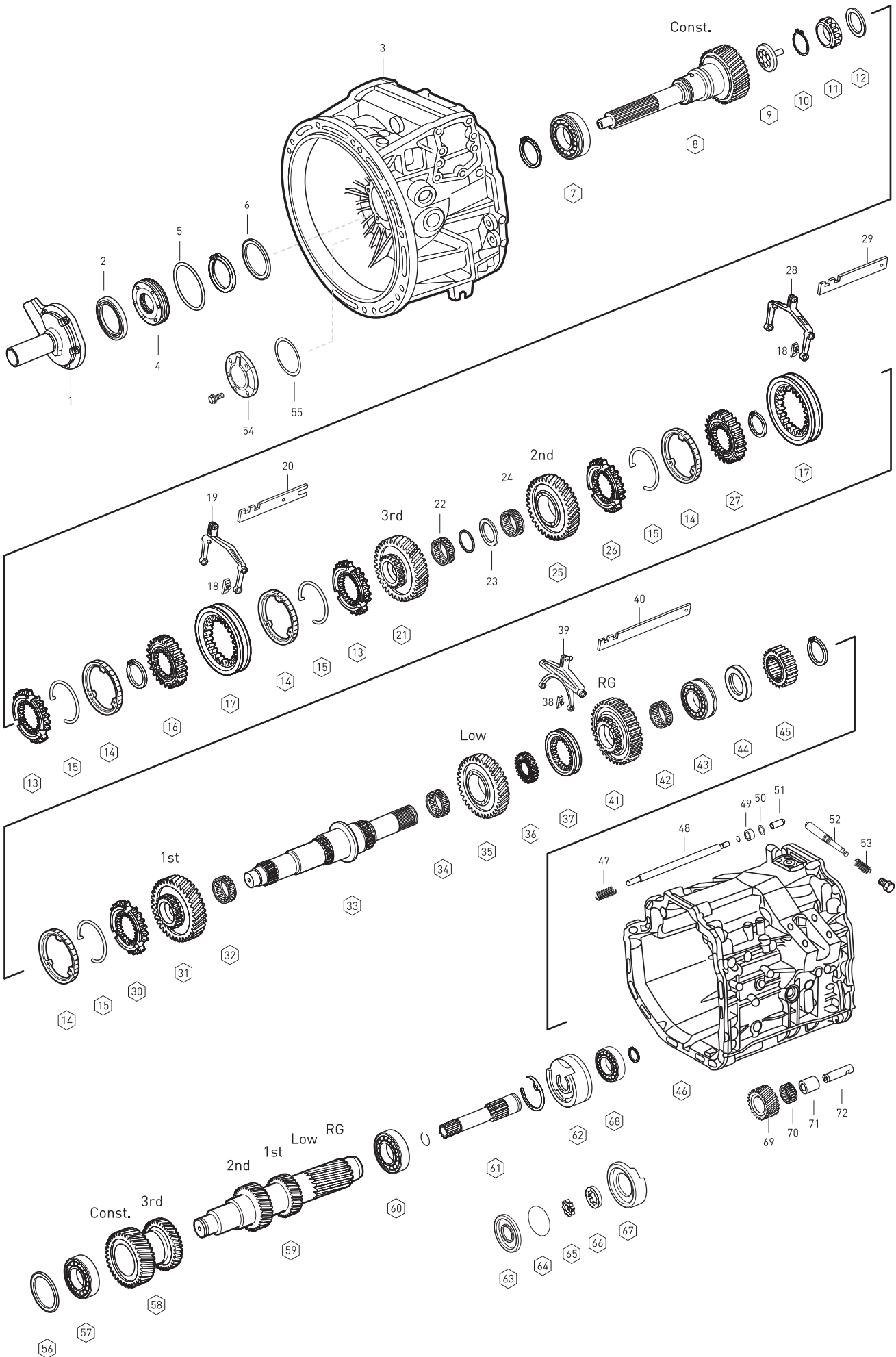


Fig.	Oem No	Oem Old No	Pcs	Description	Sizes	Notes	[X1]-G131-9	[X2]-G131-9
1	947 261 1018	(947 261 0918)	1	COVER			◆	
1	947 261 0518		1	COVER				◆
2	023 997 7847	(019 997 0547)	1	OIL SEAL			◆	◆
3	947 260 4811		1	HOUSING			◆	
3	947 260 2011		1	HOUSING			◆	
3	947 260 1711		1	HOUSING			◆	◆
4	947 261 0065		1	OIL BAFFLE			◆	◆
5	029 997 0448		1	O-RING	135X3.0mm		◆	◆
6	947 262 0352		1	SHIM	0.60mm		◆	◆
6	947 262 0552		1	SHIM	0.66mm		◆	◆
6	947 262 0852		1	SHIM	0.75mm		◆	◆
6	947 262 1052		1	SHIM	0.81mm		◆	◆
6	947 262 1352		1	SHIM	0.90mm		◆	◆
6	947 262 1552		1	SHIM	0.96mm		◆	◆
6	947 262 1852		1	SHIM	1.05mm		◆	◆
6	947 262 2052		1	SHIM	1.11mm		◆	◆
6	947 262 2152		1	SHIM	1.14mm		◆	◆
7	016 981 1405	(016 981 1105)	1	ROLLER BEARING			◆	◆
8	947 262 1302		1	INPUT SHAFT			◆	
8	947 262 1102	(947 262 0902)	1	INPUT SHAFT			◆	◆
9	976 269 0034		1	OIL PIPET			◆	◆
10	000 994 9841		1	RETANING RING			◆	◆
11	016 981 1505	(016 981 0405)	1	ROLLER BEARING			◆	◆
12	000 262 9462		1	THRUST WASHER			◆	◆
13	945 262 5734		2	ENGAGING RING		(2)	◆	◆
13	945 262 4434		2	ENGAGING RING		(1)	◆	◆
13	945 262 4034	(389 262 5334)	2	ENGAGING RING		(1)	◆	◆
14	945 260 2245	(947 260 0545)	4	SYNCHRONIZING CONE		(2)	◆	◆
		(945 262 6337)						
14	945 260 0450		4	SYNCHRONIZING CONE	177.0mm	(1)	◆	◆
14	389 262 0637		4	SYNCHRONIZING CONE	177.0mm	(1)	◆	◆
15	387 262 1093		4	SPRING			◆	◆
16	947 262 0435		1	GUIDE SLEEVE			◆	◆
17	945 262 6823	(945 262 6423)	2	ENGAGING SLEEVE		(2)	◆	◆
17	945 262 2823	(945 262 0323)	2	ENGAGING SLEEVE		(1)	◆	◆
		(945 262 0623)						
		(389 262 4123)						
		(389 262 2723)						
18	947 265 0349	(389 265 2749)	4	SLIDING PAD			◆	◆
19	947 260 2730	(947 260 2530)	1	GEAR SHIT FORK			◆	◆
20	947 265 1704		1	SHIFTING ROD			◆	

NOTES :

[X1] : for gearbox numbered label no 715570

[X2] : for gearbox numbered label no 715576

(1) to gearbox number of 018250

(2) from gearbox number of 018251



# GEARBOX G131/9

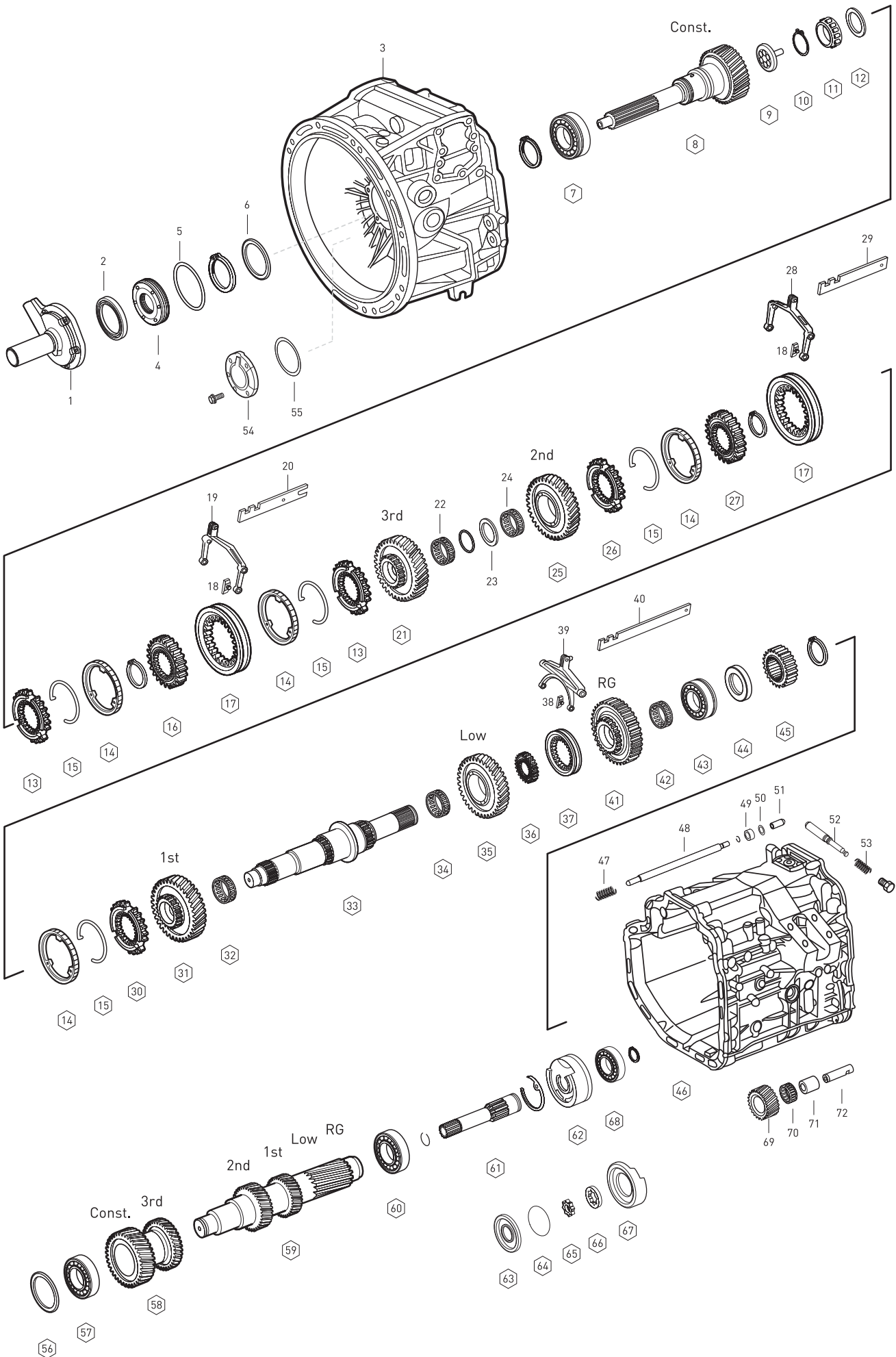


Fig.	Oem No	Oem Old No	Pcs.	Description	Sizes	Notes	(X1)-G131-9	(X2)-G131-9
20	947 265 0904	(947 265 0804)	1	SHIFTING ROD			◆	◆
20	947 265 2904		1	SHIFTING ROD			◆	◆
21	947 262 0613	(947 262 0413)	1	GEAR 3rd			◆	◆
22	019 981 6010	(019 981 5810)	1	NEEDLE CAGE			◆	◆
23	389 262 1862		1	THRUST WASHER			◆	◆
24	021 981 6510	(021 981 5210)	1	NEEDLE CAGE			◆	◆
25	947 262 0612	(947 262 0412)	1	GEAR 2nd			◆	◆
26	945 262 3634		1	ENGAGING RING	157.0mm	(2)	◆	◆
26	945 262 5434		1	ENGAGING RING	157.0mm	(1)	◆	◆
27	947 262 0135		1	GUIDE SLEEVE			◆	◆
28	947 260 2230		1	SHIFTING FORK			◆	◆
29	947 265 1504		1	SHIFTING ROD			◆	◆
29	947 265 1204		1	SHIFTING ROD			◆	◆
30	945 262 3634		1	ENGAGING RING	157.0mm	(2)	◆	◆
30	389 262 5434	(945 262 0134)	1	ENGAGING RING	157.0mm	(1)	◆	◆
		(945 262 0334)						
31	947 262 1911	(947 262 1611)	1	GEAR 1st			◆	◆
32	017 981 0210	(019 981 0910)	1	NEEDLE CAGE			◆	◆
		(012 981 9210)						
		(008 981 8310)						
		(019 981 4410)						
33	947 262 0305		1	MAIN SHAFT			◆	◆
34	021 981 5710	(013 981 1210)	1	NEEDLE CAGE			◆	◆
35	947 262 2411	(947 262 1811)	1	GEAR CRAWLING GEAR			◆	◆
		(947 262 1311)						
36	947 262 0835	(947 262 0735)	1	GUIDE SLEEVE			◆	◆
37	945 262 2023		1	ENGAGING SLEEVE			◆	◆
38	947 265 0649	(947 265 0149)	2	SLIDING PAD			◆	◆
39	947 260 2030		1	SHIFTING FORK			◆	◆
40	947 265 2004	(947 265 1804)	1	SHIFTING ROD			◆	◆
40	947 265 1904	(947 265 1004)	1	SHIFTING ROD			◆	◆
41	947 262 1133	(947 262 0633)	1	REVERSE GEAR			◆	◆
		(947 262 0433)						
42	021 981 6310	(012 981 5410)	1	NEEDLE CAGE			◆	◆
43	016 981 0105	(016 981 0005)	1	ROLLER BEARING			◆	◆
44	947 262 0152		1	THRUST WASHER			◆	◆
45	947 262 0809	(947 262 0709)	1	SUN GEAR			◆	◆
46	947 261 5903		1	HOUSING			◆	◆
46	947 261 2003		1	HOUSING			◆	◆
47	389 993 0501		1	SPRING			◆	◆
48	947 268 0225	(947 268 0525)	1	SHIFTING ROD			◆	◆

NOTES :

(X1) : for gearbox numbered label no 715570

(X2) : for gearbox numbered label no 715576

(1) to gearbox number of 018250

(2) from gearbox number of 018251

# GEARBOX G131/9

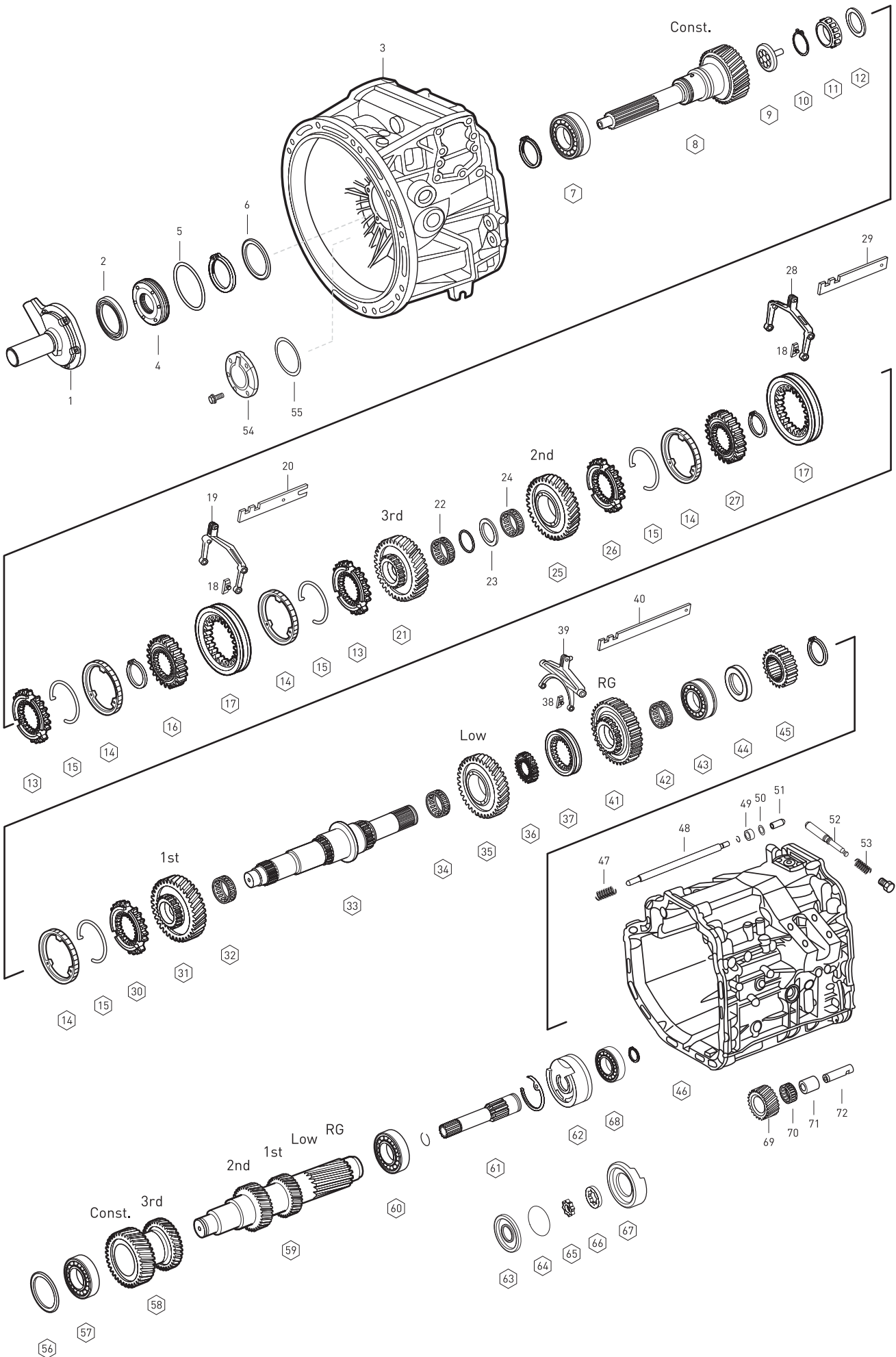


Fig.	Oem No	Oem Old No	Pcs.	Description	Sizes	Notes	[X1]-G131-9	[X2]-G131-9
49	389 268 0051		1	SPACER RING			◆	◆
50	000988 006 019		1	FITTED WASHER	0.10mm		◆	◆
50	000988 006 020		1	FITTED WASHER	0.20mm		◆	◆
50	000988 006 021		1	FITTED WASHER	0.30mm		◆	◆
50	000988 006 013		1	FITTED WASHER	0.50mm		◆	◆
50	000988 006 001		1	FITTED WASHER	1.00mm		◆	◆
51	389 268 0674		1	PIN			◆	◆
52	389 267 0974		1	PIN			◆	◆
52	945 267 0274	(389 267 0274)	1	PIN			◆	◆
53	389 993 0601		1	SPRING			◆	◆
53	389 993 3401		1	SPRING			◆	◆
54	976 261 1633	(976 261 1733)	1	COVER			◆	◆
		(976 261 1833)						
55	028 997 2348	(004 997 2248)	1	O-RING			◆	◆
56	389 263 5352		1	SHIM	0.40mm		◆	◆
56	389 263 5852		1	SHIM	0.55mm		◆	◆
56	389 263 6352		1	SHIM	0.70mm		◆	◆
56	389 263 6852		1	SHIM	0.85mm		◆	◆
56	389 263 7352		1	SHIM	1.00mm		◆	◆
56	389 263 7852		1	SHIM	1.15mm		◆	◆
56	389 263 8352		1	SHIM	1.30mm		◆	◆
57	013 981 0605	(014 981 1405)	1	ROLLER BEARING			◆	◆
58	947 263 0513	(947 263 0413)	1	DOUBLE GEAR Const./3rd			◆	◆
		(947 263 0111)						
59	947 263 0702		1	COUNTER SHAFT			◆	◆
60	015 981 9705	(015 981 9605)	1	ROLLER BEARING			◆	◆
61	947 269 1110	(945 269 1110)	1	OIL PUMP SHAFT			◆	◆
		(947 269 1010)						
		(945 269 1010)						
62	389 269 0790		1	OIL PUMP			◆	◆
63	945 269 0301		1	OIL PUMP COVER			◆	◆
64	029 997 5748		1	O-RING			◆	◆
65	389 269 1406		1	OIL PUMP GEAR			◆	◆
66	389 269 1206		1	ROTOR			◆	◆
67	947 269 1001		1	OIL PUMP HOUSING			◆	◆
68	008 981 5425	(008 981 3425)	1	ROLLER BEARING			◆	◆
69	947 263 0731		1	REV.IDLER GEAR			◆	◆
70	021 981 5610	(021 981 2010)	1	NEEDLE CAGE			◆	◆
71	947 263 0050		1	BUSHING			◆	◆
72	947 263 0030		1	PIN			◆	◆

NOTES :

[X1] : for gearbox numbered label no 715570

[X2] : for gearbox numbered label no 715576

# GEARBOX G131-9

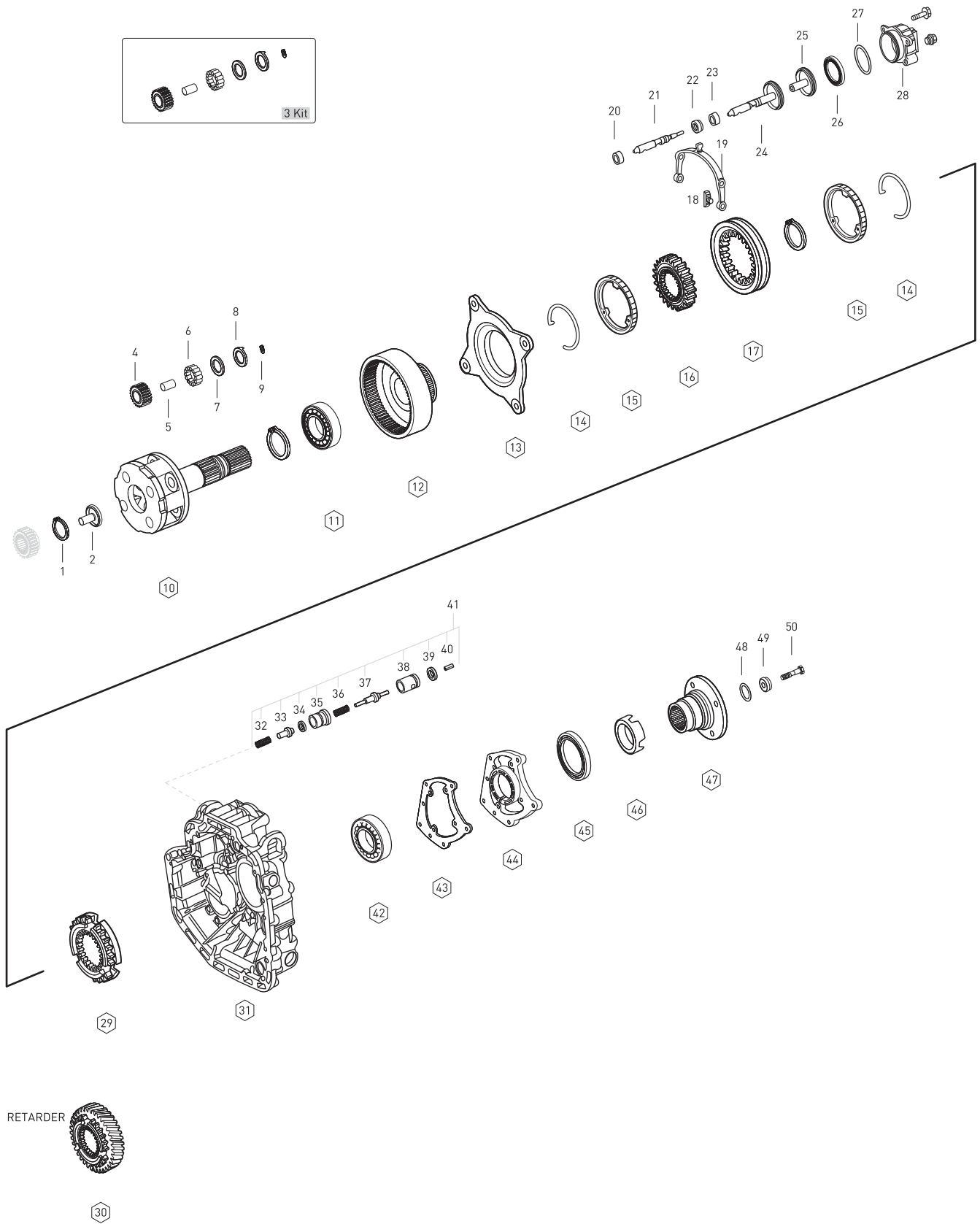


Fig.	Oem No	Oem Old No	Pcs	Description	Sizes	Notes	[X1]-G131-9	[X2]-G131-9
1	000472 060 000		1	SNAP RING			◆	◆
2	945 269 0834	(389 269 4734)	1	OIL TUBE			◆	◆
3	947 260 0097		4	PLANETARY GEAR SET			◆	◆
4	2106071		4	PLANETARY GEAR 23 T	Ø=73.50X35.00mm=H		◆	◆
5	2106072		4	PLANETARY SHAFT	Ø=34.90X57.50mm=L		◆	◆
6	000 981 6186	(000 981 5886)	100	NEEDLE ROLLER	4.995X32.60mm		◆	◆
7	389 262 6462	(389 262 0162)	8	THRUST WASHER	35.35X43.90X1.00mm		◆	◆
8	947 262 0362	(947 262 0262)	8	THRUST WASHER	35.35X58.40X1.30mm		◆	◆
9	000914 006 109		4	THREADED PIN	5.90X13.90mm		◆	◆
10	947 260 4561	(947 260 1961)	1	PLANETARY CARRIER			◆	◆
11	008 981 9925	(008 981 9525)	1	ROLLER BEARING			◆	◆
12	947 262 1308	(947 262 1208)	1	ANNULUS			◆	◆
		(947 262 1108)						
13	947 260 0736		1	FOLLOWER RING		(2)	◆	◆
13	947 260 0536		1	FOLLOWER RING		(1)	◆	◆
14	389 262 0293		2	SPRING			◆	◆
15	947 260 3045	(947 260 0945)	2	SYNCHRONIZING CONE		(2)	◆	◆
15	945 260 0850		2	SYNCHRONIZING CONE		(1)	◆	◆
16	389 262 4935	(389 262 2035)	1	GUIDE SLEEVE			◆	◆
17	930 262 0623	(945 262 6923)	1	ENGAGING SLEEVE		(2)	◆	◆
17	945 262 6623	(945 262 2623)	1	ENGAGING SLEEVE		(1)	◆	◆
		(945 262 0823)						
		(389 262 3823)						
		(389 262 3623)						
		(389 262 1623)						
18	947 265 0349	(389 265 2749)	2	SLIDING PAD		(2)	◆	◆
18	389 265 2449		2	SLIDING PAD		(1)	◆	◆
19	947 265 2701	(947 265 2601)	1	SHIFTING FORK		(2)	◆	◆
19	947 265 1701	(947 265 1901)	1	SHIFTING FORK		(1)	◆	◆
		(930 265 0001)						
		(389 265 0901)						
		(389 265 0201)						
20	000 992 7703	(389 267 2250)	1	BUSHING			◆	◆
21	930 260 2789	(389 267 7317)	1	SHIFTING ROD		(2)	◆	◆
21	930 260 2889	(389 267 7617)	1	SHIFTING ROD		(1)	◆	
		(389 267 6917)						
21	930 260 1589	(930 260 0789)	1	SHIFTING ROD		(1)	◆	
21	930 260 1489	(930 260 0689)	1	SHIFTING ROD		(1)	◆	◆
		(930 260 1689)						
		(930 260 0889)						
21	930 260 2589	(389 267 3517)	1	SHIFTING ROD		(1)	◆	◆

NOTES :

[X1] : for gearbox numbered label no 715570

[X2] : for gearbox numbered label no 715576

(1) to gearbox number of 001076

(2) from gearbox number of 001077

# GEARBOX G131-9

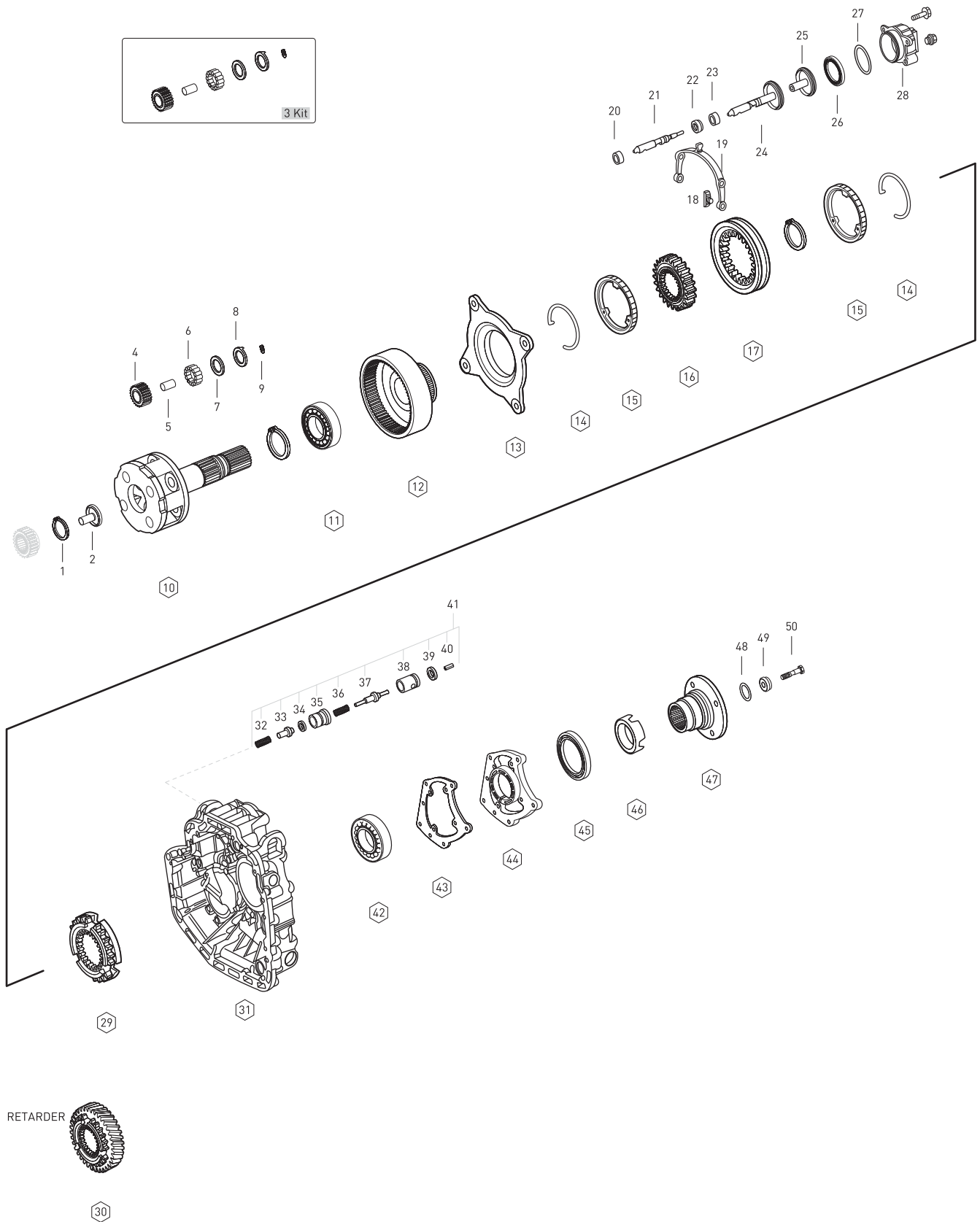


Fig.	Oem No	Oem Old No	Pcs	Description	Sizes	Notes	[X1]-G131-9	[X2]-G131-9
22	000 267 0197	(000 267 0397)	1	FLANGE PACKING			◆	◆
23	387 267 0650		1	BUSHING			◆	◆
24	930 267 0217	(930 260 2989)	1	PULL ROD		[2]	◆	
24	930 260 3589	(930 260 2889)	1	PULL ROD		(1)	◆	
24	930 260 2789		1	PULL ROD		(1)[2]	◆	◆
25	389 267 1018	(389 267 0118)	1	PISTON			◆	◆
26	024 997 8347	(020 997 6747)	1	SEAL RING			◆	◆
		(014 997 3647)						
		(014 997 5147)						
27	013 997 7548		1	O-RING	89.5X3.0mm		◆	◆
28	945 267 1319	(945 267 1619)	1	SHIFTING CYLINDER			◆	◆
29	947 262 0334		1	ENGAGING RING		[2]	◆	◆
29	947 262 0134		1	ENGAGING RING		(1)	◆	◆
30	947 264 0020		1	ENGAGING RING	RETARDER		◆	◆
31	947 260 5811		1	HOUSING		[4]	◆	
31	947 260 3811		1	HOUSING		[3][4]	◆	◆
31	947 260 2511		1	HOUSING			◆	◆
32	389 993 5301		1	SPRING			◆	◆
33	389 269 1026	(389 269 0926)	1	SELECTOR VALVE			◆	◆
34	013 997 0148		1	O-RING	13.3X2.4mm		◆	◆
35	389 269 1444	(389 269 0744)	1	VALVE INSERT			◆	◆
		(389 269 0144)						
36	389 993 4401		1	SPRING	11.5X41.9X1.0mm		◆	◆
37	389 269 0826		1	SELECTOR VALVE			◆	◆
38	389 269 0844		1	BALL			◆	◆
39	013 997 0048		1	O-RING	19.2X3.0mm		◆	◆
40	001481 004 001		1	CLAMPING SLEEVE			◆	◆
41	655 260 0157		1	VALVE KIT	(PTO)		◆	◆
42	009 981 0425	(009 981 0025)	1	ROLLER BEARING			◆	◆
43	945 261 0280		1	GASKET	(PTO)		◆	◆
44	945 261 1033		1	COVER	(PTO)		◆	◆
45	023 997 8547	(023 997 8847)	1	OIL SEAL			◆	◆
		(020 997 6447)						
46	387 262 0928		1	PULSE STAR			◆	◆
47	947 262 0445		1	COMPANION FLANGE	4-H, Ø180mm		◆	◆
47	947 262 0345	(976 262 0345)	1	COMPANION FLANGE	4-H, Ø150mm		◆	
48	027 997 3048		1	O-RING	61.85X5.33mm		◆	◆
49	976 262 0362	(976 262 0162)	1	THRUST WASHER			◆	◆
50	000000 000 963		1	SCREW	Ø20X80mm		◆	◆

NOTES :

[X1] : for gearbox numbered label no 715570

[X2] : for gearbox numbered label no 715576

(1) to gearbox number of 001076

(2) from gearbox number of 001077

(3) to gearbox number of 366886

(4) from gearbox number of 366887



# GEARBOX G131-9

SYNCHRONIZER KIT Const./3rd  
NEW MODEL

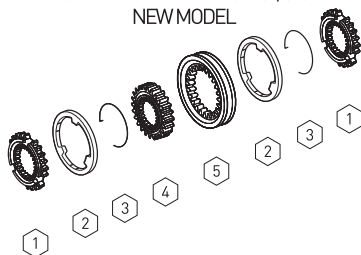


Fig.	o. Oem No	Oem Old No	Pcs	Description
	<b>2106198</b>		Kit	SYNCH.KIT Const./3rd
1	<b>945 262 5734</b>		2	ENGAGING RING
2	<b>945 260 2245</b>	<b>(947 260 0545)</b>	2	SYNCHRONIZING CONE
3	<b>387 262 1093</b>		2	SPRING
4	<b>947 262 0435</b>		1	GUIDE SLEEVE
5	<b>945 262 6823</b>	<b>(945 262 6423)</b>	1	ENGAGING SLEEVE

SYNCHRONIZER KIT Const./3rd

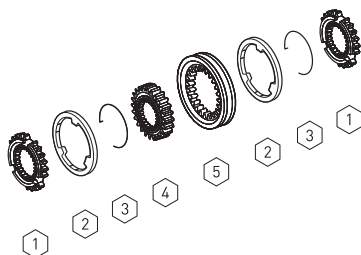


Fig.	o. Oem No	Oem Old No	Pcs	Description
	<b>2106199</b>		Kit	SYNCH.KIT Const./3rd
1	<b>945 262 4434</b>		2	ENGAGING RING
2	<b>389 262 0637</b>		2	SYNCHRONIZING CONE
3	<b>387 262 1093</b>		2	SPRING
4	<b>947 262 0435</b>		1	GUIDE SLEEVE
5	<b>945 262 2823</b>	<b>(945 262 0323)</b>	1	ENGAGING SLEEVE
		<b>(945 262 0623)</b>		
		<b>(389 262 4123)</b>		
		<b>(389 262 2723)</b>		

SYNCHRONIZER KIT Const./3rd  
OLD MODEL

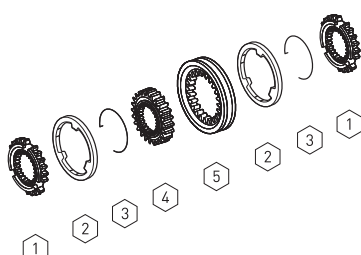


Fig.	o. Oem No	Oem Old No	Pcs	Description
	<b>2106200</b>		Kit	SYNCH.KIT Const./3rd
1	<b>945 262 4034</b>	<b>(389 262 5334)</b>	2	ENGAGING RING
2	<b>389 262 0637</b>		2	SYNCHRONIZING CONE
3	<b>387 262 1093</b>		2	SPRING
4	<b>947 262 0435</b>		1	GUIDE SLEEVE
5	<b>945 262 2823</b>	<b>(945 262 0323)</b>	1	ENGAGING SLEEVE
		<b>(945 262 0623)</b>		
		<b>(389 262 4123)</b>		
		<b>(389 262 2723)</b>		

SYNCHRONIZER KIT 1st/2nd  
NEW MODEL

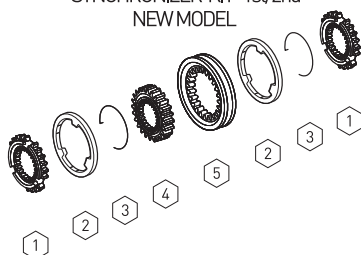


Fig.	o. Oem No	Oem Old No	Pcs.	Description
	<b>2106201</b>		Ki	SYNCH.KIT 1st/2nd
1	<b>945 262 3634</b>		2	ENGAGING RING
2	<b>945 260 2245</b>	<b>(947 260 0545)</b>	2	SYNCHRONIZING CONE
3	<b>387 262 0893</b>		2	
4	<b>947 262 0135</b>		1	SPRING
5	<b>945 262 6823</b>	<b>(945 262 6423)</b>	1	GUIDE SLEEVE

SYNCHRONIZER KIT Const./3rd  
OLD MODEL

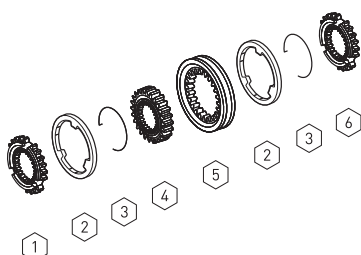


Fig.	o. Oem No	Oem Old No	Pcs	Description
	<b>2106202</b>		Kit	SYNCH.KIT Const./3rd
1	<b>945 262 5434</b>		2	ENGAGING RING
2	<b>389 262 0637</b>		2	SYNCHRONIZING CONE
3	<b>387 262 1093</b>		2	SPRING
4	<b>947 262 0135</b>		1	GUIDE SLEEVE
5	<b>945 262 2823</b>	<b>(945 262 0323)</b>	1	ENGAGING SLEEVE
		<b>(945 262 0623)</b>		
		<b>(389 262 4123)</b>		
		<b>(389 262 2723)</b>		
6	<b>389 262 5434</b>	<b>(945 262 0134)</b>	1	ENGAGING RING
		<b>(945 262 0334)</b>		

Fig.	o. Oem No	Oem Old No	Pcs	Description
	2106203		Kit	SYNCH.KIT PLANETARY
1	947 260 0736		1	FOLLOWER RING
2	389 262 0293		2	SPRING
3	947 260 3045 (947 260 0945)		2	SYNCHRONIZING CONE
4	389 262 4935 (389 262 2035)		1	GUIDE SLEEVE
5	930 262 0623 (945 262 6923)		1	ENGAGING SLEEVE
6	947 262 0334		1	ENGAGING RING

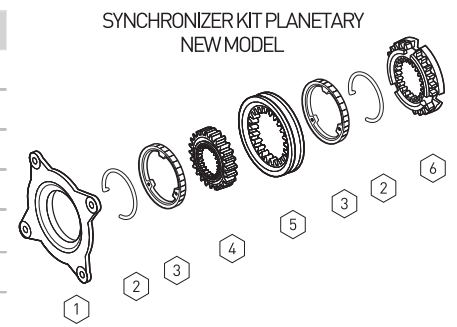


Fig.	o. Oem No	Oem Old No	Pcs	Description
	2106204		Kit	SYNCH.KIT PLANETARY
1	389 262 0293		2	SPRING
2	947 260 3045 (947 260 0945)		2	SYNCHRONIZING CONE
3	389 262 4935 (389 262 2035)		1	GUIDE SLEEVE
4	930 262 0623 (945 262 6923)		1	ENGAGING SLEEVE

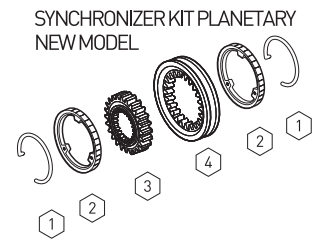


Fig.	o. Oem No	Oem Old No	Pcs	Description
1	387 264 0505		1	INTERM.SHAFT
1	389 264 0105		1	INTERM.SHAFT
1	945 264 0605		1	INTERM.SHAFT
1	945 264 0705		1	INTERM.SHAFT
1	945 264 1405		1	INTERM.SHAFT
2	945 264 0606		1	DRIVE SHAFT
3	010 981 1310		1	NEEDLE CAGE
4	945 264 0020		1	GEAR
5	015 981 9310		1	NEEDLE CAGE
6	389 264 0023		1	SLIDING COLLAR
7	945 264 0046		1	FOLLOWER
8	673 264 0252		1	SHIM (0.10mm)
8	673 264 0352		1	SHIM (0.15mm)
8	673 264 0452		1	SHIM (0.25mm)
8	673 264 0552		1	SHIM (0.30mm)
9	009 981 5301		1	ROLLER BEARING
10	389 264 0111		1	COVER

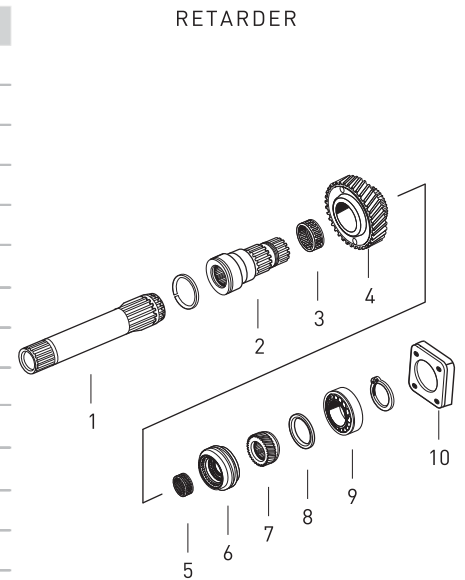
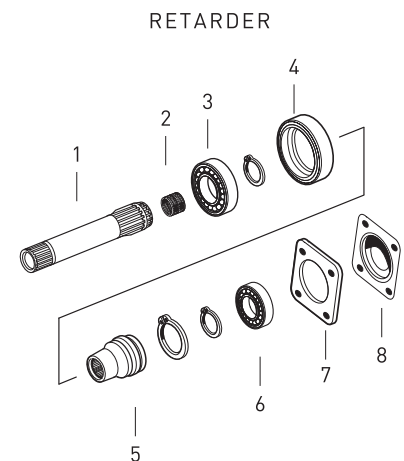


Fig.	o. Oem No	Oem Old No	Pcs	Description
1	945 264 0305		1	INTERM.SHAFT
1	389 264 0505		1	INTERM.SHAFT
1	K21.03493 389 264 0205 (387 264 0405)		1	INTERM.SHAFT
2	013 981 0610		1	NEEDLE CAGE
3	008 981 3225		1	ROLLER BEARING
4	945 264 0687 (389 264 0587)		1	RING
5	389 264 0223		1	SLIDING COLLAR
6	006 981 2525		1	ROLLER BEARING
7	389 264 0780		1	GASKET
8	945 264 0611		1	COVER
8	389 264 0311		1	COVER



# GEARBOX G155/9

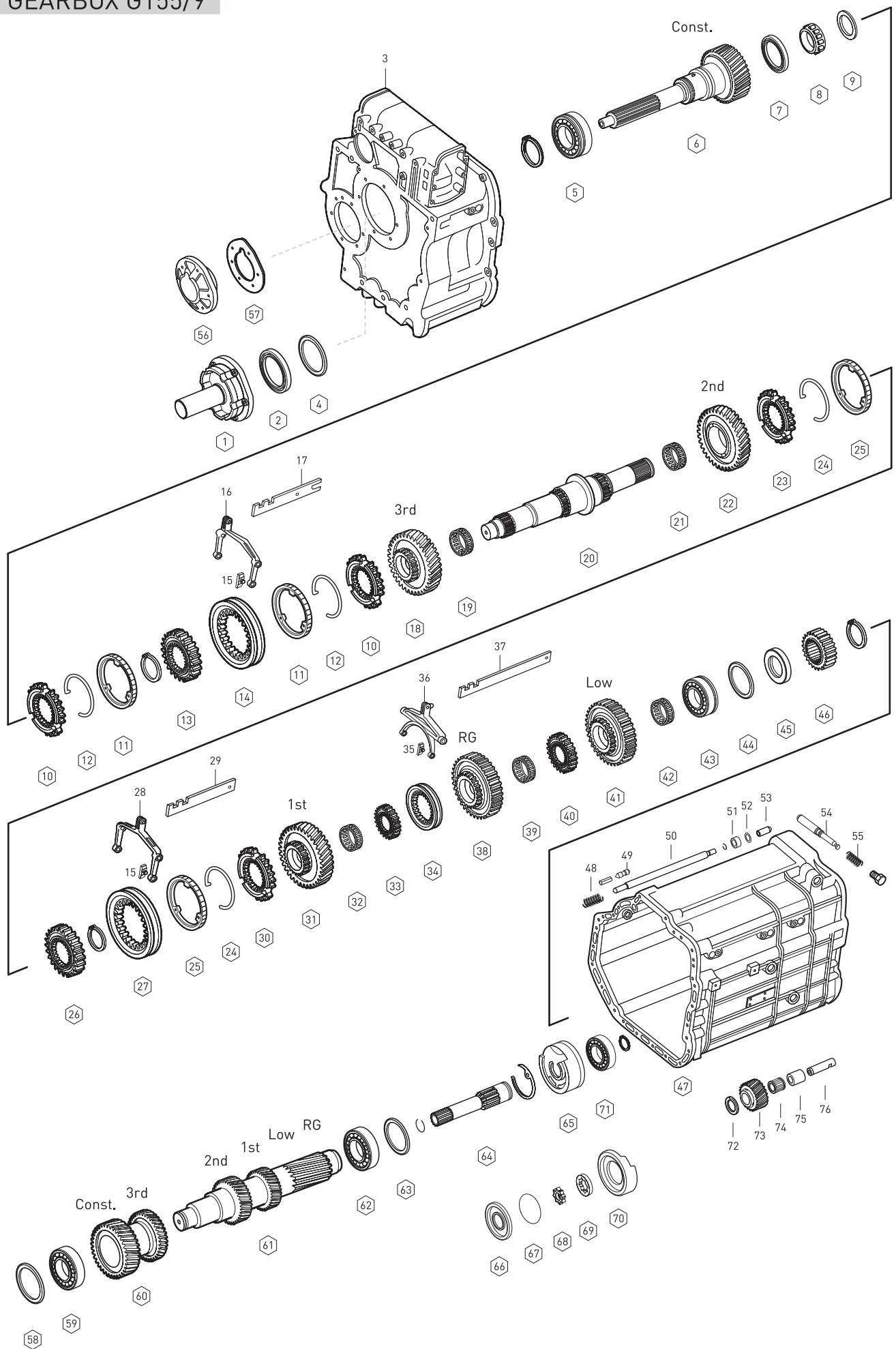


Fig.	o	Oem No	Oem Old No	Pcs	Description	Sizes	Notes	
1		389 261 3318		1	COVER		(2)	◆
1		389 261 1018		1	COVER		(1)	◆
2		015 997 2748		1	OIL SEAL		(2)	◆
2		015 997 1647	(015 997 0647)	1	OIL SEAL		(1)	◆
3		389 261 0208	(389 261 9502)	1	HOUSING		(4)	◆
3		389 261 6002	(389 261 4702)	1	HOUSING		(3)	◆
3		389 261 5802	(389 261 3002)	1	HOUSING		(3)	◆
			(389 261 4202)					
4		389 262 4152		1	SHIM	0.10mm	(5)	◆
4		389 262 4452		1	SHIM	0.40mm	(5)	◆
4		389 262 1954		1	SHIM	0.45mm	(5)	◆
4		389 262 2254		1	SHIM	0.60mm	(5)	◆
4		389 262 2354		1	SHIM	0.65mm	(5)	◆
4		389 262 4552		1	SHIM	0.80mm	(5)	◆
4		389 262 2654		1	SHIM	2.00mm	(5)	◆
4		389 262 3055		1	SHIM	0.25mm	(6)	◆
4		389 262 3255		1	SHIM	0.31mm	(6)	◆
4		389 262 3555		1	SHIM	0.40mm	(6)	◆
4		389 262 4055		1	SHIM	0.55mm	(6)	◆
4		389 262 5555		1	SHIM	1.00mm	(6)	◆
4		389 262 5955		1	SHIM	1.12mm	(6)	◆
5		014 981 9005	(011 981 1305)	1	ROLLER BEARING	75X140X30mm		◆
6		389 262 3502		1	INPUT SHAFT		(8)	◆
6		389 262 2302		1	INPUT SHAFT		(7)	◆
7		018 997 8647	(018 997 8347)	1	OIL SEAL			◆
8		008 981 2805	(008 981 4005)	1	ROLLER BEARING	40X90,97X32mm		◆
9		389 262 6454		1	THRUST WASHER	2.50 mm		◆
9		389 262 5552		1	THRUST WASHER	1.20 mm		◆
9		2104149		1	THRUST WASHER	1.10 mm		◆
9		2104148		1	THRUST WASHER	1.00 mm		◆
9		2104147		1	THRUST WASHER	0.90 mm		◆
9		389 262 5652		1	THRUST WASHER	0.80 mm		◆
9		389 262 2954		1	THRUST WASHER	0.70mm		◆
9		389 262 3054		1	THRUST WASHER	0.60mm		◆
9		389 262 5752		1	THRUST WASHER	0.50 mm		◆
9		389 262 7954		1	THRUST WASHER	0.30 mm		◆
9		389 262 5852		1	THRUST WASHER	0.20mm		◆
9		389 262 5952		1	THRUST WASHER	0.10mm		◆
10		389 262 5634	(389 262 3934)	2	ENGAGING RING			◆
11		945 260 0450		2	SYNCHRONIZING CONE	177.0mm		◆
11		389 262 0637		2	SYNCHRONIZING CONE	177.0mm		◆

**NOTES :**

[X1] : for gearboxes numbered label nos 714741-42-44-45-54-55-57

714750-53-56-58-59 NA 4/120-1C

- (1) to gearbox number of 125574
- (2) from gearbox number of 125575
- (3) to gearbox number of 380570
- (4) from gearbox number of 380571
- (5) to gearbox number of 375914
- (6) from gearbox number of 375915
- (7) to gearbox number of 237608
- (8) from gearbox number of 237609

# GEARBOX G155/9

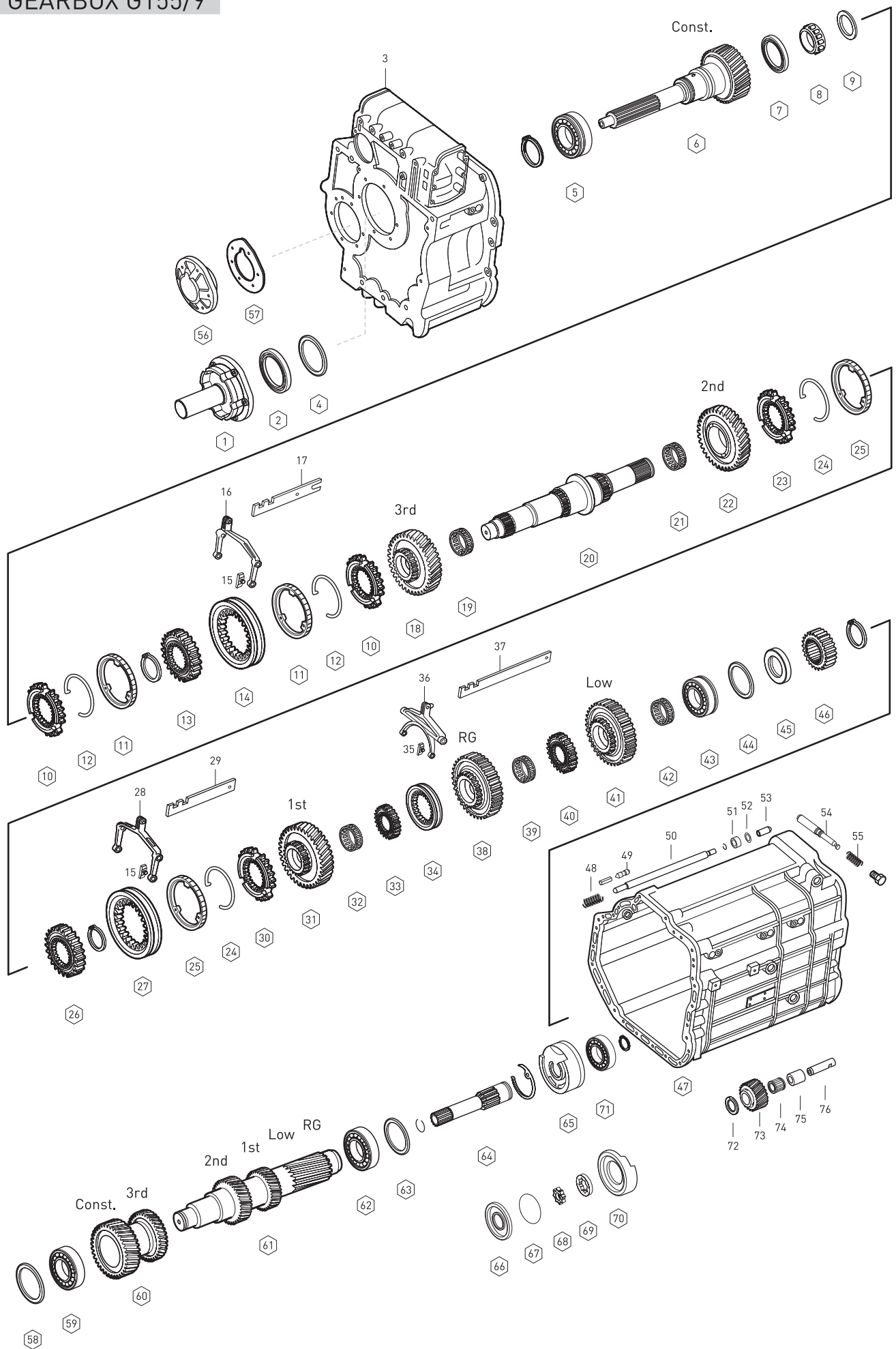


Fig.	o	Oem No	Oem Old No	Pcs	Description	Sizes	Notes	(X1)-G155-9/15.9
12		387 262 1093		2	SPRING			◆
13		389 262 0635		1	GUIDE SLEEVE			◆
14		389 262 3023	(389 262 2223)	1	ENGAGING SLEEVE			◆
			(389 262 0623)					
15		389 265 2349	(389 265 1149)	4	SLIDING PAD			◆
16		389 260 4030	(389 260 2830)	1	GEAR SHIT FORK			◆
			(389 260 0830)					
17		389 265 6604		1	SHIFTING ROD			◆
18		389 262 1013		1	GEAR 3rd			◆
19		009 981 1410	(008 981 9210)	1	NEEDLE CAGE			◆
20		389 262 1305		1	MAIN SHAFT			◆
21		018 981 6610		1	NEEDLE CAGE			◆
22		389 262 1412		1	GEAR 2nd			◆
23		389 262 0534		1	ENGAGING RING			◆
24		387 262 0893		2	SPRING	167.0mm		◆
25		945 260 0650		2	SYNCHRONIZING CONE			◆
25		389 262 0737		2	SYNCHRONIZING CONE	196.0mm		◆
26		389 262 0035		1	GUIDE SLEEVE			◆
27		389 262 2923	(389 262 0723)	1	ENGAGING SLEEVE			◆
28		389 260 4330	(389 260 0730)	1	SHIFTING FORK			◆
29		389 265 3604		1	SHIFTING ROD			◆
30		945 262 0434	(389 262 0034)	1	ENGAGING RING			◆
31		389 262 1711		1	GEAR 1st			◆
32		017 981 0210	(019 981 0910)	1	NEEDLE BEARING			◆
			(012 981 9210)					
			(008 981 8310)					
			(019 981 4410)					
33		389 262 0435		1	GUIDE SLEEVE			◆
34		389 262 0223		1	ENGAGING SLEEVE			◆
35		947 265 0249	(945 265 0149)	2	SLIDING PAD			◆
36		389 260 1530	(389 260 4730)	1	SHIFTING FORK			◆
			(389 260 1630)					
37		389 265 3704		1	SHIFTING ROD			◆
38		389 262 0533		1	REVERSE GEAR			◆
39		013 981 5710	(013 981 5310)	1	NEEDLE BEARING			◆
40		389 262 0040		1	GUIDE SLEEVE			◆
41		389 262 0211		1	GEAR CRAWLING GEAR			◆
42		013 981 6510	(013 981 5210)	1	NEEDLE BEARING			◆
43		016 981 1305	(014 981 7505)	1	ROLLER BEARING			◆
44		389 262 3552		1	SHIM	0.10mm		◆
44		389 262 3652		1	SHIM	0.15mm		◆

NOTES :

(X1) : for gearboxes numbered label nos 714741-42-44-45-54-55-57  
714750-53-56-58-59 NA 4/120-1C

# GEARBOX G155/9

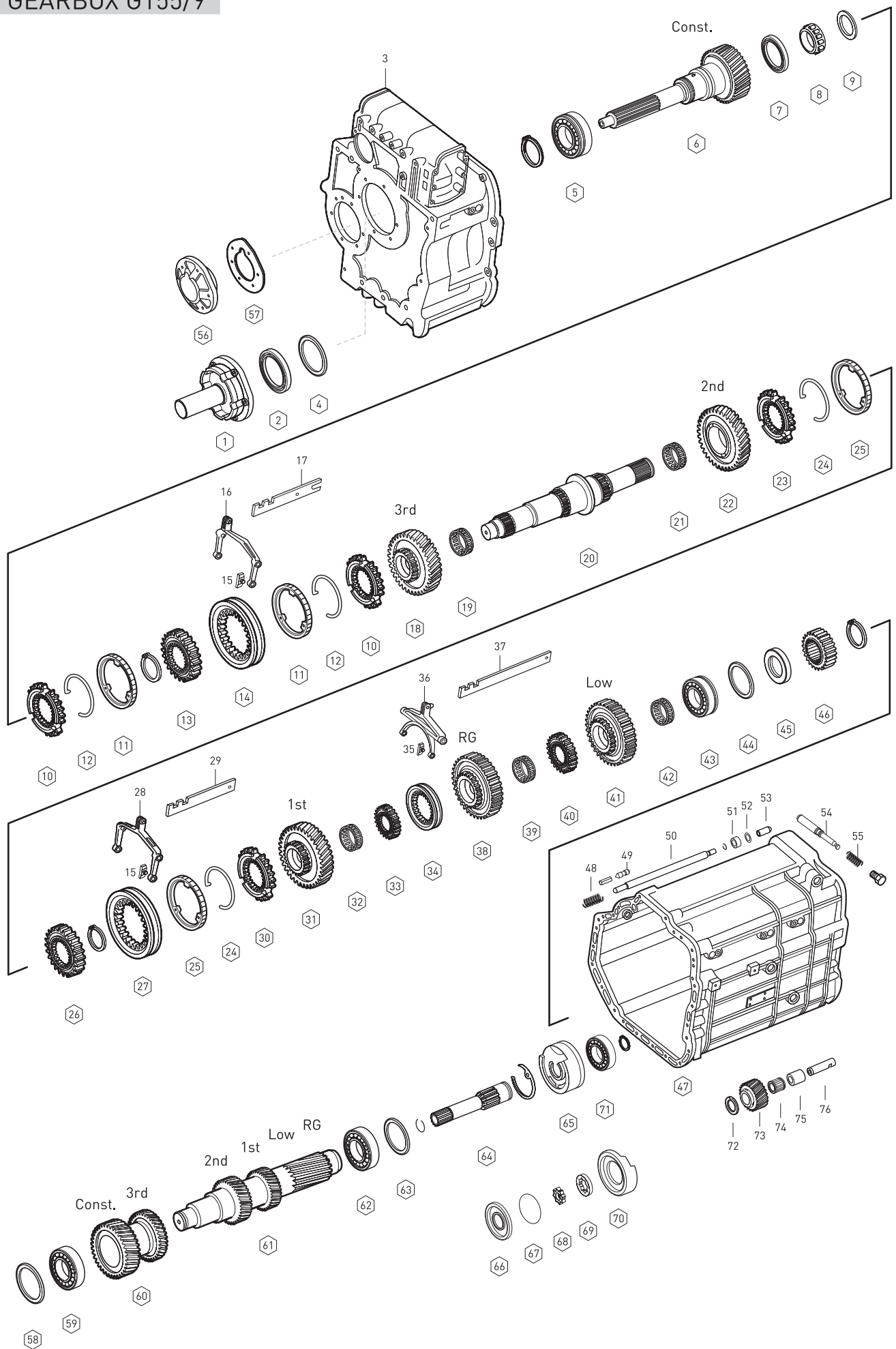


Fig.	Oem No	Oem Old No	Pcs	Description	Sizes	Notes	(X1)-G155-9/15.9
44	389 262 3752		1	SHIM	0.20mm		◆
44	389 262 3852		1	SHIM	0.40mm		◆
44	389 262 3952		1	SHIM	0.80mm		◆
45	389 262 3754		1	THRUST WASHER		(10)	◆
45	389 262 0152		1	THRUST WASHER		(9)	◆
46	389 262 0209		1	SUN GEAR		(10)	◆
46	389 262 0409		1	SUN GEAR		(9)	◆
46	389 262 0009		1	SUN GEAR			◆
47	389 261 7303		1	HOUSING		(4)	◆
47	389 261 3503	(389 261 1903)	1	HOUSING		(3)	◆
48	389 993 0501		1	SPRING			◆
49	389 267 0474		1	PIN			◆
50	389 268 4925		1	SHIFTING ROD			◆
51	389 268 0051		1	SPACER RING			◆
52	000988 006 019		1	FITTED WASHER	0.10mm		◆
52	000988 006 020		1	FITTED WASHER	0.20mm		◆
52	000988 006 021		1	FITTED WASHER	0.30mm		◆
52	000988 006 013		1	FITTED WASHER	0.50mm		◆
52	000988 006 001		1	FITTED WASHER	1.00mm		◆
53	389 268 0674		1	PIN			◆
54	389 267 0974		1	PIN			◆
55	389 993 0601		1	SPRING			◆
56	389 261 1933		1	COVER			◆
57	387 261 4580	(387 261 1580)	1	GASKET			◆
58	406 337 0252		1	SHIM	0.10mm	(5)	◆
58	406 337 0352		1	SHIM	0.20mm	(5)	◆
58	389 263 3252		1	SHIM	0.40mm	(5)	◆
58	389 263 3352		1	SHIM	0.45mm	(5)	◆
58	389 263 3852		1	SHIM	0.70mm	(5)	◆
58	389 263 3952		1	SHIM	0.75mm	(5)	◆
58	389 263 5352		1	SHIM	0.40mm	(6)	◆
58	389 263 5852		1	SHIM	0.55mm	(6)	◆
58	389 263 6352		1	SHIM	0.70mm	(6)	◆
58	389 263 6852		1	SHIM	0.85mm	(6)	◆
58	389 263 7352		1	SHIM	1.00mm	(6)	◆
58	389 263 7852		1	SHIM	1.15mm	(6)	◆
58	389 263 8352		1	SHIM	1.30mm	(6)	◆
59	014 981 1405	(013 981 0605)	1	ROLLER BEARING	51X100X37.5mm		◆
60	389 263 1113		1	DOUBLE GEAR Const./ 3rd			◆
61	389 263 0902		1	COUNTER SHAFT			◆
62	012 981 9405	(016 981 1205)	1	ROLLER BEARING	60x130x34mm		◆

NOTES :

(X1) : for gearboxes numbered label nos 714741-42-44-45-54-55-57

714750-53-56-58-59 NA 4/120-1C

(3) to gearbox number of 380570

(4) from gearbox number of 380571

(5) to gearbox number of 375914

(6) from gearbox number of 375915

(9) to gearbox number of 182425

(10) from gearbox number of 182426



# GEARBOX G155/9

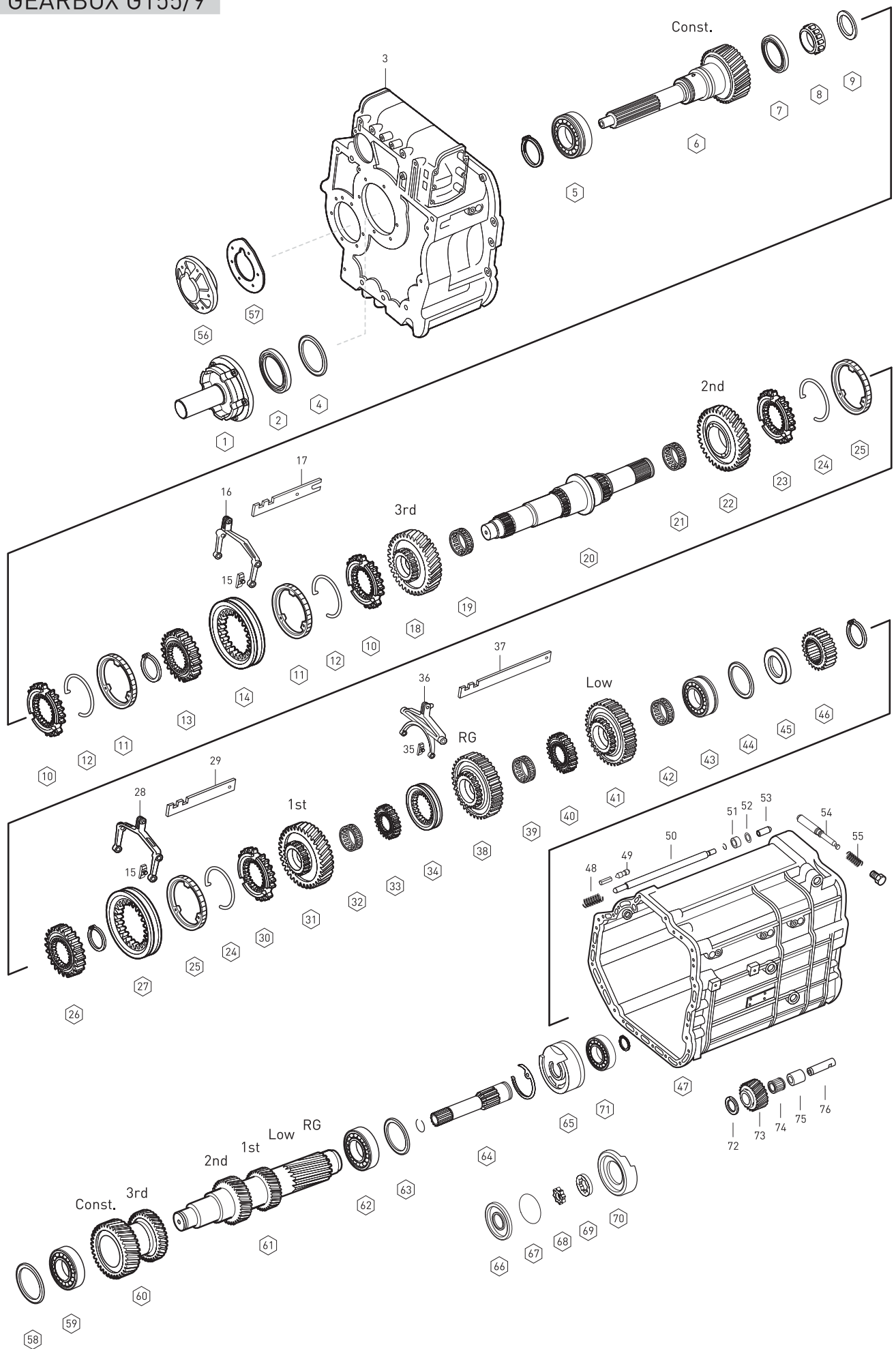


Fig.	Oem No	Oem Old No	Pcs	Description	Sizes	Notes	
63	389 263 0152		1	SHIM	0.10mm		◆
63	389 263 4052		1	SHIM	0.60mm		◆
63	389 263 4152		1	SHIM	0.65mm		◆
63	389 263 4252		1	SHIM	0.70mm		◆
63	389 263 4352		1	SHIM	0.75mm		◆
63	389 263 0552		1	SHIM	0.80mm		◆
63	389 263 4452		1	SHIM	0.85mm		◆
63	389 263 4552		1	SHIM	0.90mm		◆
63	389 263 4652		1	SHIM	0.95mm		◆
63	389 263 4752		1	SHIM	1.00mm		◆
63	389 263 4852		1	SHIM	1.05mm		◆
63	389 263 4952		1	SHIM	1.10mm		◆
63	389 263 5052		1	SHIM	1.15mm		◆
64	947 264 0005	(389 269 1210)	1	OIL PUMP SHAFT			◆
		(389 269 0310)					
65	389 260 0690	(389 260 0590)	1	OIL PUMP			◆
66	945 269 0201		1	OIL PUMP COVER			◆
67	029 997 5748		1	O-RING			◆
68	389 269 1406		1	OIL PUMP GEAR			◆
69	389 269 0706		1	ROTOR			◆
70	389 269 3801		1	OIL PUMP HOUSING			◆
71	004 981 8625		1	ROLLER BEARING			◆
72	389 263 0062		2	THRUST WASHER			◆
73	389 263 1631		1	REV.IDLER GEAR		(11)	◆
73	389 263 0531		1	REV.IDLER GEAR		(12)	◆
74	019 981 1310	(012 981 8910)	1	NEEDLE CAGE			◆
75	389 263 0850		1	BUSHING		(11)	◆
75	389 263 0050		1	BUSHING		(12)	◆
76	389 263 0330		1	PIN			◆

NOTES :

[X1] : for gearboxes numbered label nos 714741-42-44-45-54-55-57  
714750-53-56-58-59 NA 4/120-1C

(11) used in conjunction with the encoded parts

(12) used in conjunction with the encoded parts

# GEARBOX G155-9

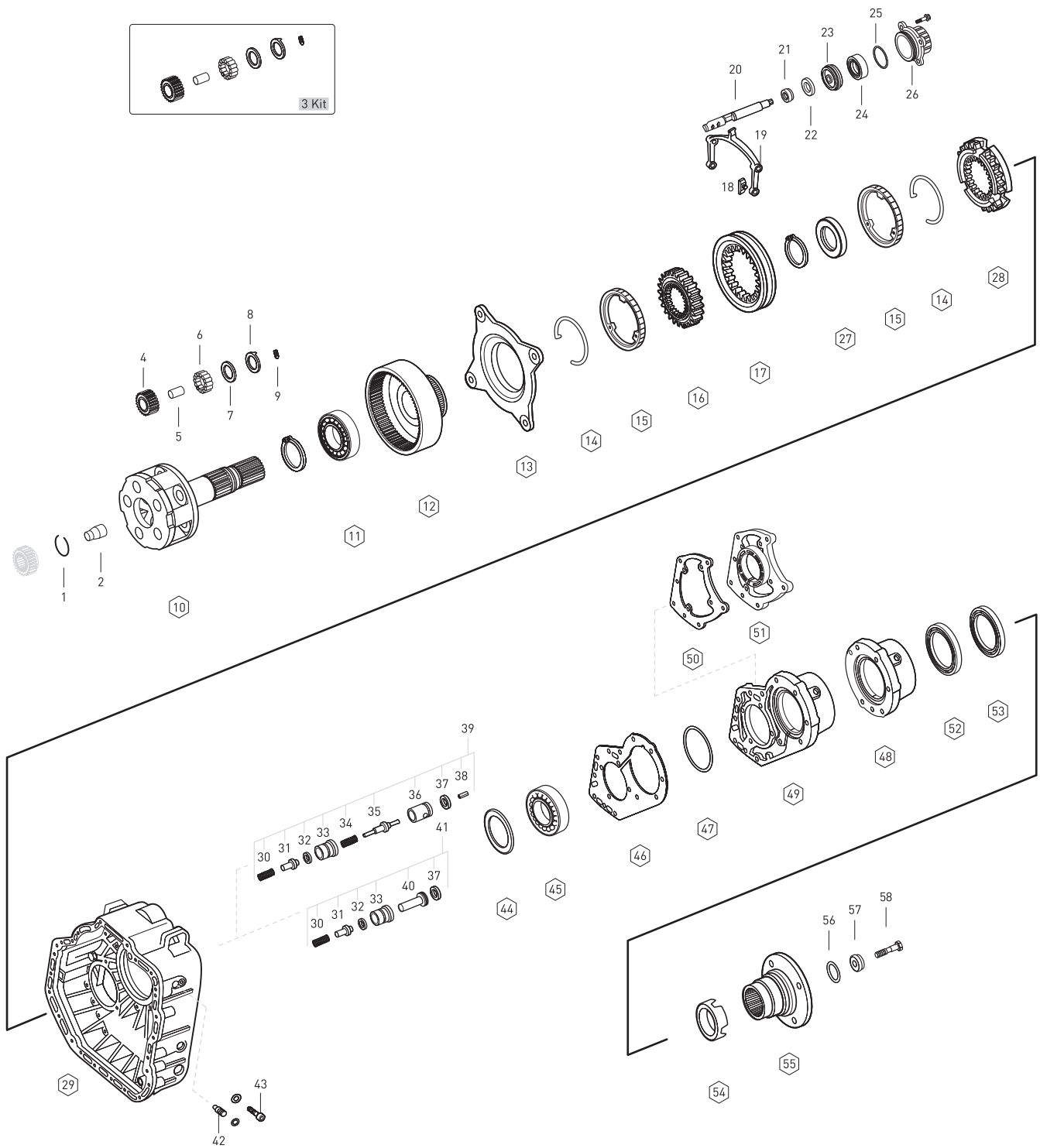


Fig.	Oem No	Oem Old No	Pcs	Description	Sizes	Notes	
1	007993 040 200		1	SNAP RING			◆
2	389 269 0134		1	OIL TUBE			◆
3	389 260 0497		1	PLANETARY GEAR SET		(2)	◆
3	389 260 0297		1	PLANETARY GEAR SET		(1)	◆
4	2106034		5	PLANETARY GEAR 26 T	Ø=88.50X41.00=H	(2)	◆
5	389 262 0407		5	PLANETARY SHAFT			◆
6	000 981 4386	(000 981 4186)	125	NEEDLE ROLLER	4.995X39.60mm		◆
6	001 981 2987	(001 981 2887)	125	NEEDLE ROLLER	4.995X36.80mm		◆
7	389 262 6462	(389 262 0162)	10	THRUST WASHER	35.35X43.90X1.00mm		◆
8	945 262 0162	(389 262 0262)	10	THRUST WASHER	35.35X65.50X1.25mm		◆
9	000914 006 109		5	THREADED PIN	5.90X13.90mm		◆
10	389 260 9061	(389 260 8961)	1	PLANETARY CARRIER		(2)	◆
		(389 260 7661)					
		(389 260 1361)					
10	389 260 0661		1	PLANETARY CARRIER		(1)	◆
11	008 981 1325		1	ROLLER BEARING			◆
12	389 262 0208		1	ANNULUS 80 T			◆
13	389 260 2036		1	FOLLOWER RING		(4)	◆
13	389 260 0936		1	FOLLOWER RING		(3)	◆
14	389 262 0293		2	SPRING			◆
15	945 260 0850		2	SYNCHRONIZING CONE		(4)	◆
15	389 262 0537		2	SYNCHRONIZING CONE		(3)	◆
16	389 262 4935	(389 262 2035)	1	GUIDE SLEEVE		(4)	◆
16	389 262 0535		1	GUIDE SLEEVE		(3)	◆
17	945 262 6623	(945 262 2623)	1	ENGAGING SLEEVE		(4)	◆
		(945 262 0823)					
		(389 262 3823)					
		(389 262 3623)					
		(389 262 1623)					
17	389 262 1523	(389 262 0123)	1	ENGAGING SLEEVE		(3)	◆
18	389 265 2449		2	SLIDING PAD		(4)	◆
18	389 265 1249	(389 265 0949)	2	SLIDING PAD		(3)	◆
19	947 265 2701	(947 265 2601)	1	SHIFTING FORK			◆
19	947 265 1701	(947 265 1901)	1	SHIFTING FORK			◆
		(930 265 0001)					
		(389 265 0901)					
		(389 265 0201)					
20	389 267 7217	(389 267 3917)	1	SHIFTING ROD		(6)	◆
20	389 267 3117		1	SHIFTING ROD		(5)	◆
21	000 267 0197	(000 267 0397)	1	FLANGE PACKING			◆
22	387 267 0650		1	BUSHING			◆

**NOTES :**

[X1] : for gearboxes numbered label nos 714741-42-44-45-54-55-57

714750-53-56-58-59 NA 4/120-1C

- (1) to gearbox number of 182425
- (2) from gearbox number of 182426
- (3) to gearbox number of 201817
- (4) from gearbox number of 201818
- (5) to gearbox number of 070418
- (6) from gearbox number of 070419

# GEARBOX G155-9

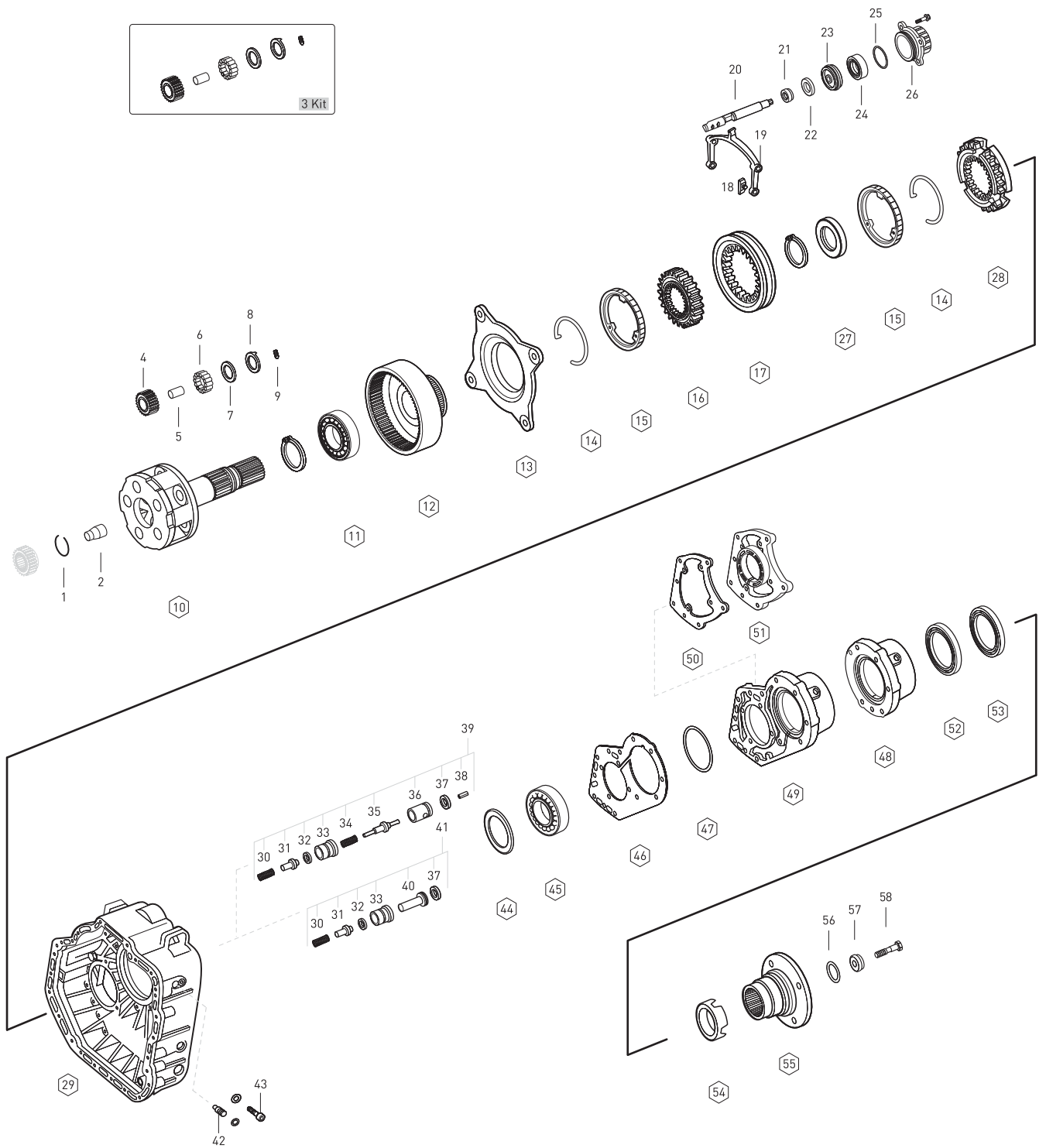


Fig.	Oem No	Oem Old No	Pcs	Description	Sizes	Notes	
23	389 267 1018	(389 267 0118)	1	PISTON			◆
24	024 997 8347	(020 997 6747)	1	SEAL RING			◆
		(014 997 3647)					
		(014 997 5147)					
25	013 997 7548		1	O-RING	89.5X3.0mm		◆
26	945 267 1119	(389 267 2919)	1	SHIFTING CYLINDER			◆
		(389 267 1319)					
		(389 267 1419)					
		(389 267 4219)					
27	389 262 0251		1	SPACER RING			◆
28	389 262 4034		1	ENGAGING RING		[4]	◆
28	389 262 2334	(389 262 1934)	1	ENGAGING RING		[3]	◆
28	389 262 0934		1	ENGAGING RING		[7]	◆
29	389 261 5126	(389 261 4926)	1	HOUSING		[10]	◆
29	389 261 4703	(389 261 4603)	1	HOUSING		[9]	◆
		(389 261 2703)					
		(389 261 1203)					
29	389 261 2126	(389 261 2226)	1	HOUSING			◆
		(389 261 2326)					
		(389 261 2426)					
		(389 261 7803)					
		(389 261 7903)					
30	389 993 5301		1	SPRING			◆
30	389 993 4301		1	SPRING			◆
30	389 993 1701		1	SPRING			◆
31	389 269 1026	(389 269 0926)	1	SELECTOR VALVE			◆
31	389 269 0026		1	SELECTOR VALVE			◆
31	005401 311 000		1	BALL			◆
32	013 997 0148		1	O-RING	13.3X2.4mm		◆
32	015 997 6048		1	O-RING	23.3X2.4mm		◆
33	389 269 1444	(389 269 0744)	1	VALVE INSERT			◆
		(389 269 0144)					
33	389 265 2074		1	VALVE INSERT			◆
34	389 993 4401		1	SPRING	11.5X41.9X1.0mm		◆
35	389 269 0826		1	SELECTOR VALVE			◆
36	389 269 0844		1	BALL			◆
37	013 997 0048		1	O-RING	19.2X3.0mm		◆
38	001481 004 001		1	CLAMPING SLEEVE			◆
39	655 260 0257		1	VALVE KIT			◆
39	655 260 0157		1	VALVE KIT	(PT0)		◆
40	389 265 0176	(389 265 0076)	1	WASHER			◆

NOTES :

[X1] : for gearboxes numbered label nos 714741-42-44-45-54-55-57

714750-53-56-58-59 NA 4/120-1C

[3] to gearbox number of 201817

[4] from gearbox number of 201818

[7] to gearbox number of 070883

[9] to gearbox number of 380570

[10] from gearbox number of 380571

# GEARBOX G155-9

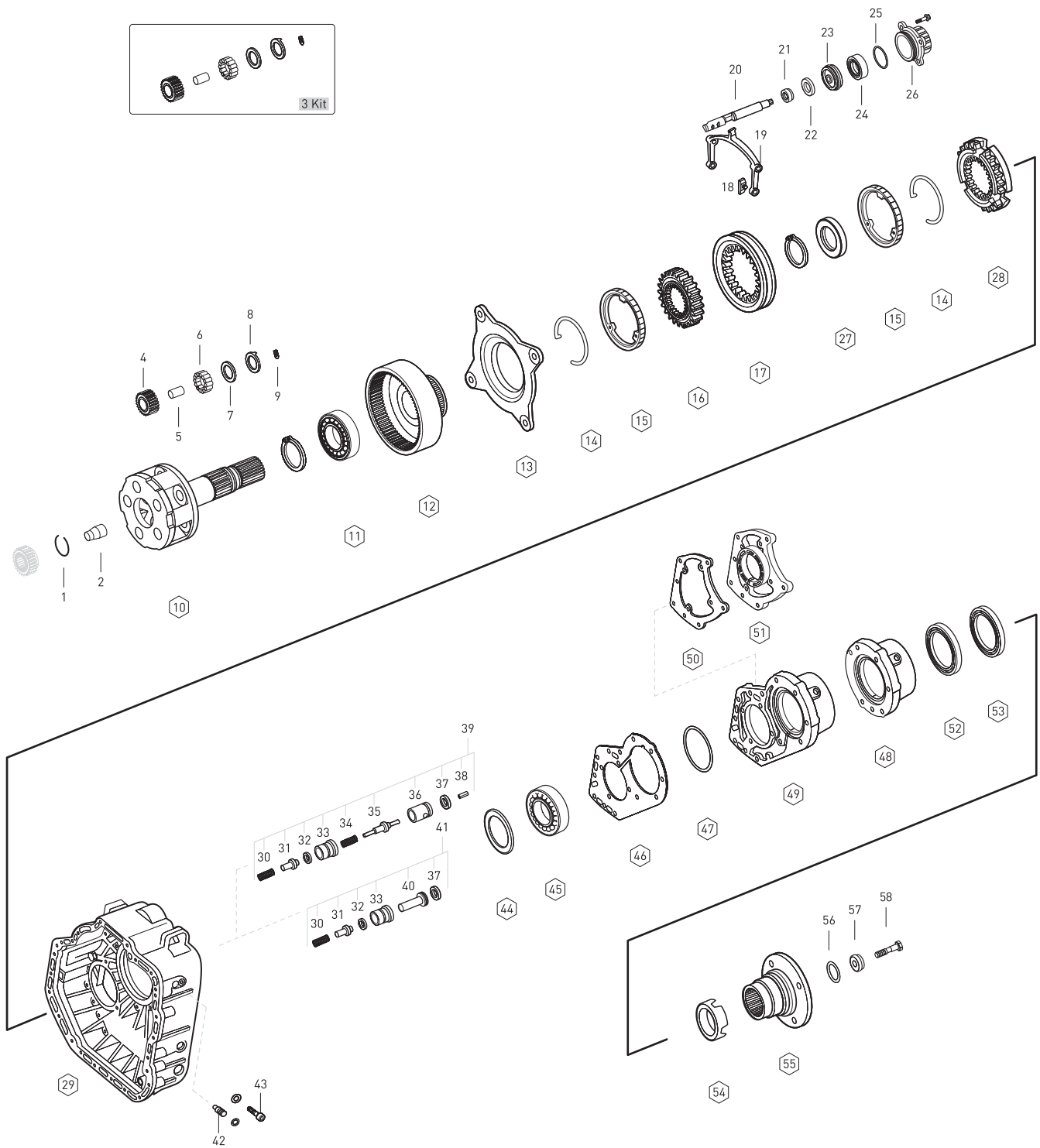


Fig.	Oem No	Oem Old No	Pcs	Description	Sizes	Notes	
41	655 260 0057		1	VALVE KIT			◆
42	389 265 0974		2	PIN			◆
42	945 265 1474	(945 265 1774)	2	PIN			◆
		(389 265 2874)					
43	007984 008 013		2	SCREW			◆
44	389 262 3954		1	THRUST WASHER	3.50mm	[8]	◆
44	389 262 5252		1	THRUST WASHER		[7]	◆
45	004 981 8925		1	ROLLER BEARING			◆
45	004 981 9325		1	ROLLER BEARING			◆
46	389 261 1180		1	GASKET			◆
47	389 262 7754		1	THRUST WASHER	1.40mm		◆
47	389 262 5152		1	THRUST WASHER	0.80mm		◆
47	389 262 5052		1	THRUST WASHER	0.40mm		◆
47	389 262 7654		1	THRUST WASHER	0.25mm		◆
47	389 262 4952		1	THRUST WASHER	0.20mm		◆
47	389 262 4852		1	THRUST WASHER	0.15mm		◆
47	389 262 4752		1	THRUST WASHER	0.10mm		◆
48	389 261 1920	(389 261 0520)	1	COVER		[12]	◆
		(389 261 0420)					
49	389 261 0320	(389 261 0220)	1	COVER		[11]	◆
50	945 261 0080	(389 261 1980)	1	GASKET	(PTO)	[12]	◆
		(389 261 1480)					
		(389 261 0780)					
50	389 261 1280		1	GASKET	(PTO)	[11]	◆
51	945 261 1033		1	COVER	(PTO)	[12]	◆
51	389 261 2433	(389 261 1033)	1	COVER	(PTO)		◆
		(389 261 2333)					
		(389 261 0933)					
51	389 261 0433	(389 261 0233)	1	COVER	(PTO)	[11]	◆
52	013 997 5547		1	OIL SEAL			◆
52	013 997 7247		1	OIL SEAL			◆
52	014 997 1947		1	OIL SEAL			◆
53	015 997 4247		1	OIL SEAL			◆
53	013 997 7347		1	OIL SEAL			◆
53	013 997 5647		1	OIL SEAL			◆
54	945 262 0528	(389 260 0150)	1	PULSE STAR			◆
55	389 262 0445		1	COMPANION FLANGE	4-H, Ø180mm		◆
56	014 997 5148		1	O-RING			◆
57	945 262 0062	(389 262 0362)	1	THRUST WASHER			◆
58	945 990 0019	(389 990 2019)	1	SCREW	Ø24X80mm		◆
		(389 990 0219)					

**NOTES :**

[X1] : for gearboxes numbered label nos 714741-42-44-45-54-55-57

714750-53-56-58-59 NA 4/120-1C

[7] to gearbox number of 070883

[8] from gearbox number of 070884

[11] to gearbox number of 206784

[12] from gearbox number of 206785



# GEARBOX G155-9

SYNCHRONIZER KIT Const./3rd

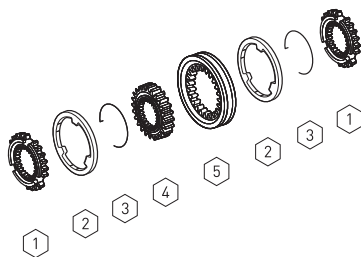


Fig.	o. Oem No	Oem Old No	Pcs.	Description
	<b>2106205</b>		Kit	SYNCH.KIT Const./3rd
1	<b>389 262 5634</b>	<b>(389 262 3934)</b>	2	ENGAGING RING
2	<b>389 262 0637</b>		2	SYNCHRONIZING CONE
3	<b>387 262 1093</b>		2	SPRING
4	<b>389 262 0635</b>		1	GUIDE SLEEVE
5	<b>389 262 3023</b>	<b>(389 262 2223)</b>	1	ENGAGING SLEEVE
		<b>(389 262 0623)</b>		

SYNCHRONIZER KIT 1st/2nd

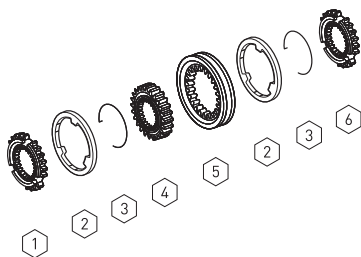


Fig.	o. Oem No	Oem Old No	Pcs	Description
	<b>2106206</b>		Kit	SYNCH.KIT 1st/2nd
1	<b>389 262 0534</b>		1	ENGAGING RING
2	<b>389 262 0737</b>		2	SYNCHRONIZING CONE
3	<b>387 262 0893</b>		2	SPRING
4	<b>389 262 0035</b>		1	GUIDE SLEEVE
5	<b>389 262 2923</b>	<b>(389 262 0723)</b>	1	ENGAGING SLEEVE
6	<b>945 262 0434</b>	<b>(389 262 0034)</b>	1	ENGAGING RING

SYNCHRONIZER KIT PLANETARY NEW MODEL

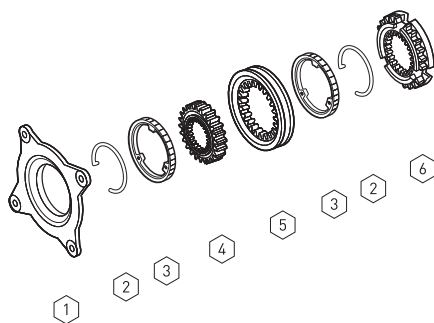


Fig.	o. Oem No	Oem Old No	Pcs	Description
	<b>2106195</b>		Kit	SYNCH.KIT PLANETARY
1	<b>389 260 2036</b>		1	FOLLOWER RING
2	<b>389 262 0293</b>		2	SPRING
3	<b>389 262 0537</b>		2	SYNCHRONIZING CONE
4	<b>389 262 4935</b>	<b>(389 262 2035)</b>	1	GUIDE SLEEVE
5	<b>945 262 6623</b>	<b>(945 262 2623)</b>	1	ENGAGING SLEEVE
		<b>(945 262 0823)</b>		
		<b>(389 262 3823)</b>		
		<b>(389 262 3623)</b>		
		<b>(389 262 1623)</b>		
6	<b>389 262 4034</b>		1	ENGAGING RING

SYNCHRONIZER KIT PLANETARY NEW MODEL

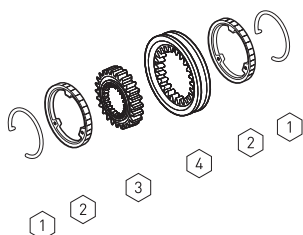


Fig.	o. Oem No	Oem Old No	Pcs	Description
	<b>2106194</b>		Kit	SYNCH.KIT PLANETARY
1	<b>389 262 0293</b>		2	SPRING
2	<b>389 262 0537</b>		2	SYNCHRONIZING CONE
3	<b>389 262 4935</b>	<b>(389 262 2035)</b>	1	GUIDE SLEEVE
4	<b>945 262 6623</b>	<b>(945 262 2623)</b>	1	A ENGAGING SLEEVE
		<b>(945 262 0823)</b>		
		<b>(389 262 3823)</b>		
		<b>(389 262 3623)</b>		
		<b>(389 262 1623)</b>		

Fig.	. Oem No	Oem Old No	Pcs	Description
	<b>2106197</b>		Kit	SYNCH.KIT PLANETARY
1	<b>389 260 0936</b>		1	FOLLOWER RING
2	<b>389 262 0293</b>		2	SPRING
3	<b>389 262 0537</b>		2	SYNCHRONIZING CONE
4	<b>389 262 0535</b>		1	GUIDE SLEEVE
5	<b>389 262 1523</b> ( <b>389 262 0123</b> )		1	ENGAGING SLEEVE
6	<b>389 262 2334</b> ( <b>389 262 1934</b> )		1	ENGAGING RING

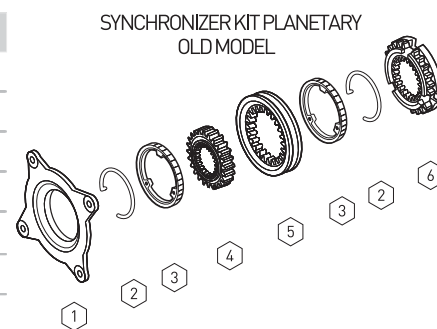


Fig.	. Oem No	Oem Old No	Pcs	Description
	<b>2106196</b>		Kit	SYNCH.KIT PLANETARY
1	<b>389 262 0293</b>		2	SPRING
2	<b>389 262 0537</b>		2	SYNCHRONIZING CONE
3	<b>389 262 0535</b>		1	GUIDE SLEEVE
4	<b>389 262 1523</b> ( <b>389 262 0123</b> )		1	ENGAGING SLEEVE

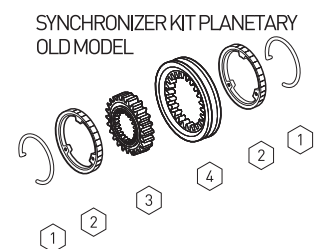
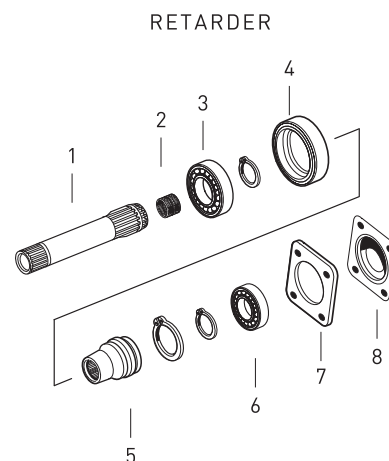


Fig.	. Oem No	Oem Old No	Pcs	Description
1	<b>945 264 0305</b>		1	INTERM.SHAFT
1	<b>389 264 0505</b>		1	INTERM.SHAFT
1	<b>K21.03493</b> <b>389 264 0205</b> ( <b>387 264 0405</b> )		1	INTERM.SHAFT
2	<b>013 981 0610</b>		1	NEEDLE CAGE
3	<b>008 981 3225</b>		1	A ROLLER BEARING
4	<b>945 264 0687</b> ( <b>389 264 0587</b> )		1	RING
5	<b>389 264 0223</b>		1	SLIDING COLLAR
6	<b>006 981 2525</b>		1	ROLLER BEARING
7	<b>389 264 0780</b>		1	GASKET
8	<b>945 264 0611</b>		1	COVER
8	<b>389 264 0311</b>		1	COVER



# GEARBOX G221/9

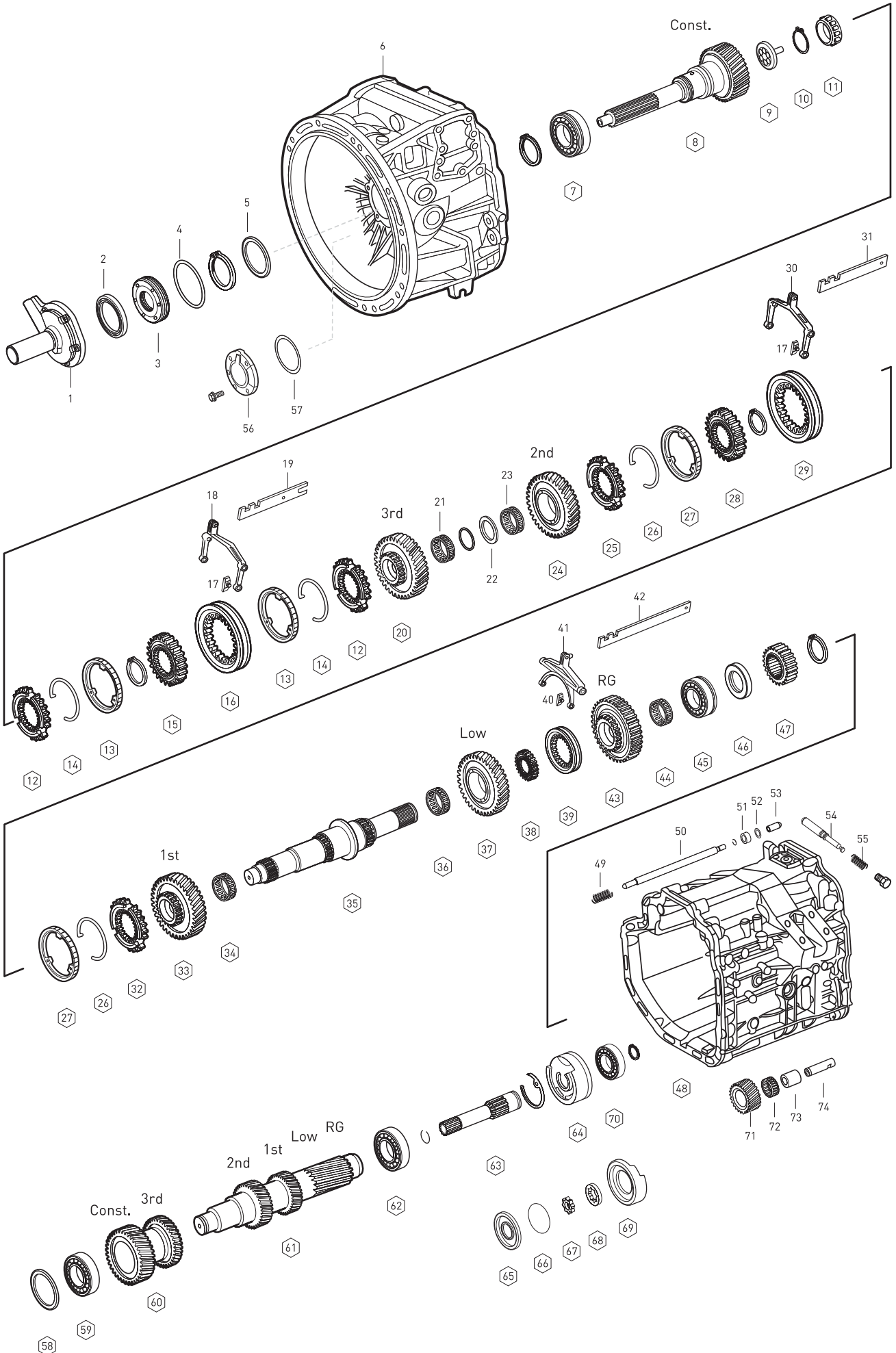


Fig.	o. Oem No	Oem Old No	Pcs	Description	Sizes	Notes	[X1] - G221-9	[X2] - G221-9	[X3] - G221-9	[X4] - G221-9	[X5] - G221-9	[X6] - G221-9
1	945 261 1118	(945 261 0818)	1	COVER			◆	◆	◆	◆	◆	◆
1	945 261 3318	(945 261 2518)	1	COVER			◆	◆	◆	◆		
2	023 997 7847	(019 997 0547)	1	OIL SEAL			◆	◆	◆	◆	◆	◆
3	389 261 0665		1	OIL BAFFLE			◆	◆	◆	◆	◆	◆
4	020 997 7848		1	O-RING	128X3.0mm		◆	◆	◆	◆	◆	◆
5	389 262 3055		1	SHIM	0.25mm		◆	◆	◆	◆	◆	◆
5	389 262 3255		1	SHIM	0.31mm		◆	◆	◆	◆	◆	◆
5	389 262 3555		1	SHIM	0.40mm		◆	◆	◆	◆	◆	◆
5	389 262 3855		1	SHIM	0.49mm		◆	◆	◆	◆	◆	◆
5	389 262 4055		1	SHIM	0.55mm		◆	◆	◆	◆	◆	◆
5	976 262 5352		1	SHIM	1.15mm		◆	◆	◆	◆	◆	◆
5	976 262 5852		1	SHIM	1.30mm		◆	◆	◆	◆	◆	◆
5	976 262 6352		1	SHIM	1.45mm		◆	◆	◆	◆	◆	◆
5	976 262 6552		1	SHIM	1.51mm		◆	◆	◆	◆	◆	◆
5	976 262 6852		1	SHIM	1.60mm		◆	◆	◆	◆	◆	◆
5	976 262 7352		1	SHIM	1.75mm		◆	◆	◆	◆	◆	◆
5	976 262 7552		1	SHIM	1.81mm		◆	◆	◆	◆	◆	◆
5	976 262 7852		1	SHIM	1.90mm		◆	◆	◆	◆	◆	◆
6	945 260 2812		1	HOUSING			◆	◆	◆	◆		
6	945 260 8811	(945 260 2612)	1	HOUSING			◆	◆	◆	◆	◆	◆
		(945 260 9411)										
		(945 260 9311)										
		(945 260 9211)										
6	945 260 4312		1	HOUSING			◆	◆	◆	◆	◆	◆
7	014 981 9005	(011 981 1305)	1	ROLLER BEARING			◆	◆	◆	◆	◆	◆
8	945 262 7502	(945 262 2602)	1	INPUT SHAFT			◆	◆		◆	◆	◆
8	945 262 6702	(945 262 1602)	1	INPUT SHAFT	(1)		◆	◆	◆			
8	945 262 4202		1	INPUT SHAFT			◆	◆				
8	945 262 4082		1	INPUT SHAFT	(4)			◆	◆	◆		
8	945 262 4902		1	INPUT SHAFT	(2)(3)			◆	◆	◆		
9	976 269 0034		1	OIL PIPET			◆	◆	◆	◆	◆	◆
10	000 994 9841		1	RETANING RING			◆	◆	◆	◆	◆	◆
11	015 981 1705	(014 981 8805)	1	ROLLER BEARING			◆	◆	◆	◆	◆	◆
12	945 262 3634		2	ENGAGING RING	157.0mm	(6)	◆	◆	◆	◆	◆	◆
12	389 262 5434	(945 262 0134)	2	ENGAGING RING	157.0mm	(5)	◆	◆	◆	◆	◆	◆
		(945 262 0334)										
13	945 260 2245	(947 260 0545)	2	SYNCHRONIZING CONE		(6)	◆	◆	◆	◆	◆	◆
		(945 262 6337)										
13	945 260 0450		2	SYNCHRONIZING CONE	177.0mm	(5)	◆	◆	◆	◆	◆	◆
13	389 262 0637		2	SYNCHRONIZING CONE	177.0mm	(5)	◆	◆	◆	◆	◆	◆
14	387 262 1093		2	SPRING			◆	◆	◆	◆	◆	◆

NOTES :

- [X1] : for gearbox numbered label no 715560
- [X2] : for gearbox numbered label no 715561
- [X3] : for gearbox numbered label no 715564
- [X4] : for gearbox numbered label no 715565
- [X5] : for gearbox numbered label no 715567
- [X6] : for gearbox numbered label no 715568
- (1) to gearbox number of 000300
- (2) from gearbox number of 000301
- (3) to gearbox number of 006467
- (4) from gearbox number of 006468
- (5) to gearbox number of 018250
- (6) from gearbox number of 018251

G221-9

# GEARBOX G221/9

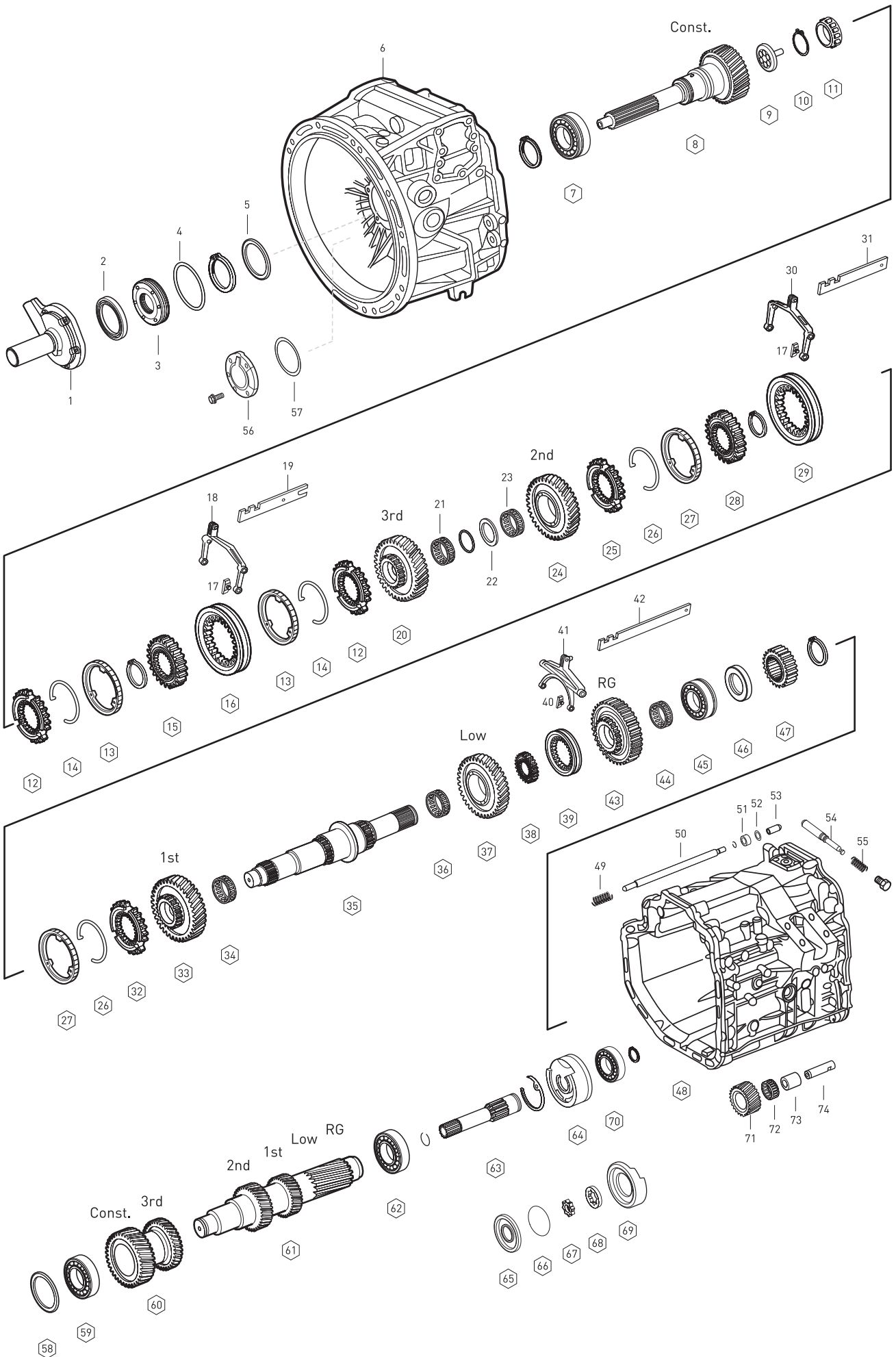


Fig.	Oem No	Oem Old No	Pcs	Description	Sizes	Notes	[X1] - G221-9	[X2] - G221-9	[X3] - G221-9	[X4] - G221-9	[X5] - G221-9	[X6] - G221-9
15	945 262 3735		1	GUIDE SLEEVE		(6)	◆	◆	◆	◆	◆	◆
15	945 262 1835	(945 262 1935)	1	GUIDE SLEEVE		(5)	◆	◆	◆	◆	◆	◆
16	945 262 6823	(945 262 6423)	1	ENGAGING SLEEVE		(6)	◆	◆	◆	◆	◆	◆
16	945 262 2823	(945 262 0323)	1	ENGAGING SLEEVE		(5)	◆	◆	◆	◆	◆	◆
		(945 262 0623)										
		(389 262 4123)										
		(389 262 2723)										
17	947 265 0349	(389 265 2749)	4	SLIDING PAD			◆	◆	◆	◆	◆	◆
18	945 260 2230		1	GEAR SHIT FORK			◆	◆	◆	◆	◆	◆
19	945 265 2204		1	SHIFTING ROD			◆	◆	◆	◆	◆	◆
20	945 262 1717	(945 262 1617)	1	GEAR 3rd			◆	◆	◆	◆	◆	◆
		(945 262 1913)										
		(945 262 1413)										
		(945 262 1313)										
21	009 981 4510	(019 981 9110)	1	NEEDLE CAGE			◆	◆	◆	◆	◆	◆
22	945 262 0362	(945 262 0462)	1	THRUST WASHER			◆	◆	◆	◆	◆	◆
23	019 981 9210	(020 981 0110)	1	NEEDLE CAGE			◆	◆	◆	◆	◆	◆
24	945 262 5912	(945 262 6112)	1	GEAR 2nd			◆	◆	◆	◆	◆	◆
		(945 262 0912)										
		(945 262 6012)										
		(945 262 0512)										
		(945 262 0412)										
25	945 262 5434		1	ENGAGING RING	173.5mm		◆	◆	◆	◆	◆	◆
25	945 262 0534	(389 262 5034)	1	ENGAGING RING	173.5mm		◆	◆	◆	◆	◆	◆
26	387 262 0893		2	SPRING	167.0mm		◆	◆	◆	◆	◆	◆
27	947 260 1945	(946 262 6137)	2	SYNCHRONIZING CONE	199.0mm		◆	◆	◆	◆	◆	◆
		(947 260 0745)										
27	945 260 0650		2	SYNCHRONIZING CONE	196.0mm		◆	◆	◆	◆	◆	◆
27	389 262 0737		2	SYNCHRONIZING CONE	196.0mm		◆	◆	◆	◆	◆	◆
28	389 262 2535	(945 262 0135)	1	GUIDE SLEEVE			◆	◆	◆	◆	◆	◆
29	945 262 6523		1	ENGAGING SLEEVE			◆	◆	◆	◆	◆	◆
29	945 262 2723	(945 262 0423)	1	ENGAGING SLEEVE			◆	◆	◆	◆	◆	◆
		(389 262 2623)										
30	945 260 2330		1	SHIFTING FORK			◆	◆	◆	◆	◆	◆
31	945 265 2504		1	SHIFTING ROD			◆	◆	◆	◆	◆	◆
32	945 262 5534		1	ENGAGING RING			◆	◆	◆	◆	◆	◆
32	945 262 0434	(389 262 0034)	1	ENGAGING RING			◆	◆	◆	◆	◆	◆
33	945 262 2711	(945 262 2511)	1	GEAR 1st			◆	◆	◆	◆	◆	◆
		(945 262 2411)										
		(945 262 2311)										
		(945 262 2911)										

NOTES :

- [X1] : for gearbox numbered label no 715560
- [X2] : for gearbox numbered label no 715561
- [X3] : for gearbox numbered label no 715564
- [X4] : for gearbox numbered label no 715565
- [X5] : for gearbox numbered label no 715567
- [X6] : for gearbox numbered label no 715568
- (5) to gearbox number of 018250
- (6) from gearbox number of 018251

G221-9

# GEARBOX G221/9

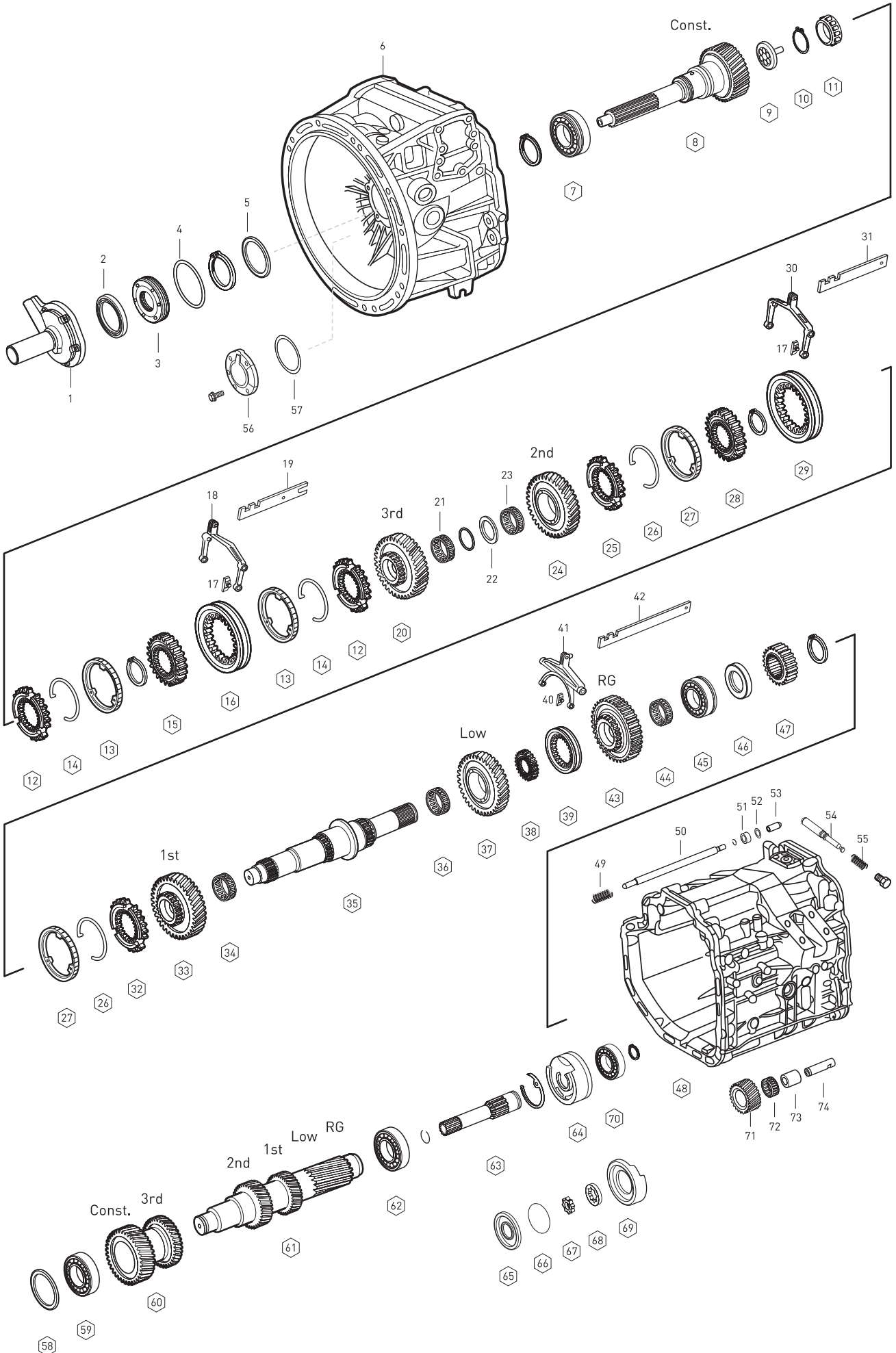


Fig.	o. Oem No	Oem Old No	Pcs	Description	Sizes	Notes	[X1] - G221-9	[X2] - G221-9	[X3] - G221-9	[X4] - G221-9	[X5] - G221-9	[X6] - G221-9
33	945 262 2711	(945 262 2811)	1	GEAR 1st			◆	◆	◆	◆	◆	◆
34	021 981 1710	(019 981 9910)	1	NEEDLE CAGE			◆	◆	◆	◆	◆	◆
35	930 262 1305		1	MAIN SHAFT			◆	◆	◆	◆	◆	◆
35	945 262 1205		1	MAIN SHAFT			◆	◆	◆	◆	◆	◆
36	018 981 8710		1	NEEDLE CAGE			◆	◆	◆	◆	◆	◆
37	945 262 7711	(945 262 0511)	1	GEAR CRAWLING GEAR					◆	◆	◆	◆
		(945 262 7911)										
		(945 262 0911)										
		(945 262 7811)										
		(945 262 0611)										
37	945 262 8311	(945 262 8211)	1	GEAR CRAWLING GEAR			◆	◆				
		(945 262 8111)										
		(945 262 1311)										
		(945 262 1211)										
		(945 262 1111)										
38	945 262 2035	(945 262 2135)	1	GUIDE SLEEVE			◆	◆	◆	◆	◆	◆
39	945 262 2023		1	ENGAGING SLEEVE					◆	◆	◆	◆
39	945 262 2123		1	ENGAGING SLEEVE			◆	◆				
40	947 265 0249	(945 265 0149)	2	SLIDING PAD			◆	◆	◆	◆	◆	◆
41	945 260 2530		1	SHIFTING FORK			◆	◆	◆	◆	◆	◆
42	945 265 1104		1	SHIFTING ROD			◆	◆	◆	◆	◆	◆
43	930 262 0333		1	REVERSE GEAR					◆	◆	◆	◆
43	945 262 3533	(945 262 3733)	1	REVERSE GEAR			◆	◆				
		(945 262 0833)										
		(945 262 3633)										
		(945 262 0733)										
		(945 262 0633)										
		(945 262 4133)										
		(945 262 1233)										
		(945 262 4033)										
		(945 262 1133)										
		(945 262 3933)										
		(945 262 1033)										
44	019 981 9010	(020 981 0010)	1	NEEDLE CAGE			◆	◆	◆	◆	◆	◆
45	016 981 1305	(014 981 7505)	1	ROLLER BEARING			◆	◆	◆	◆	◆	◆
46	945 262 0152	(945 262 0052)	1	THRUST WASHER			◆	◆	◆	◆	◆	◆
47	945 262 0909	(389 262 0809)	1	SUN GEAR					◆	◆	◆	◆
		(389 262 0909)										
47	945 262 0209	(945 262 0109)	1	SUN GEAR			◆	◆				
48	945 261 5126		1	HOUSING			◆	◆	◆	◆	◆	◆
48	945 261 8403	(945 261 5503)	1	HOUSING			◆	◆	◆	◆	◆	◆

NOTES :

[X1] : for gearbox numbered label no 715560  
[X2] : for gearbox numbered label no 715561  
[X3] : for gearbox numbered label no 715564  
[X4] : for gearbox numbered label no 715565  
[X5] : for gearbox numbered label no 715567  
[X6] : for gearbox numbered label no 715568

G221-9



# GEARBOX G221/9

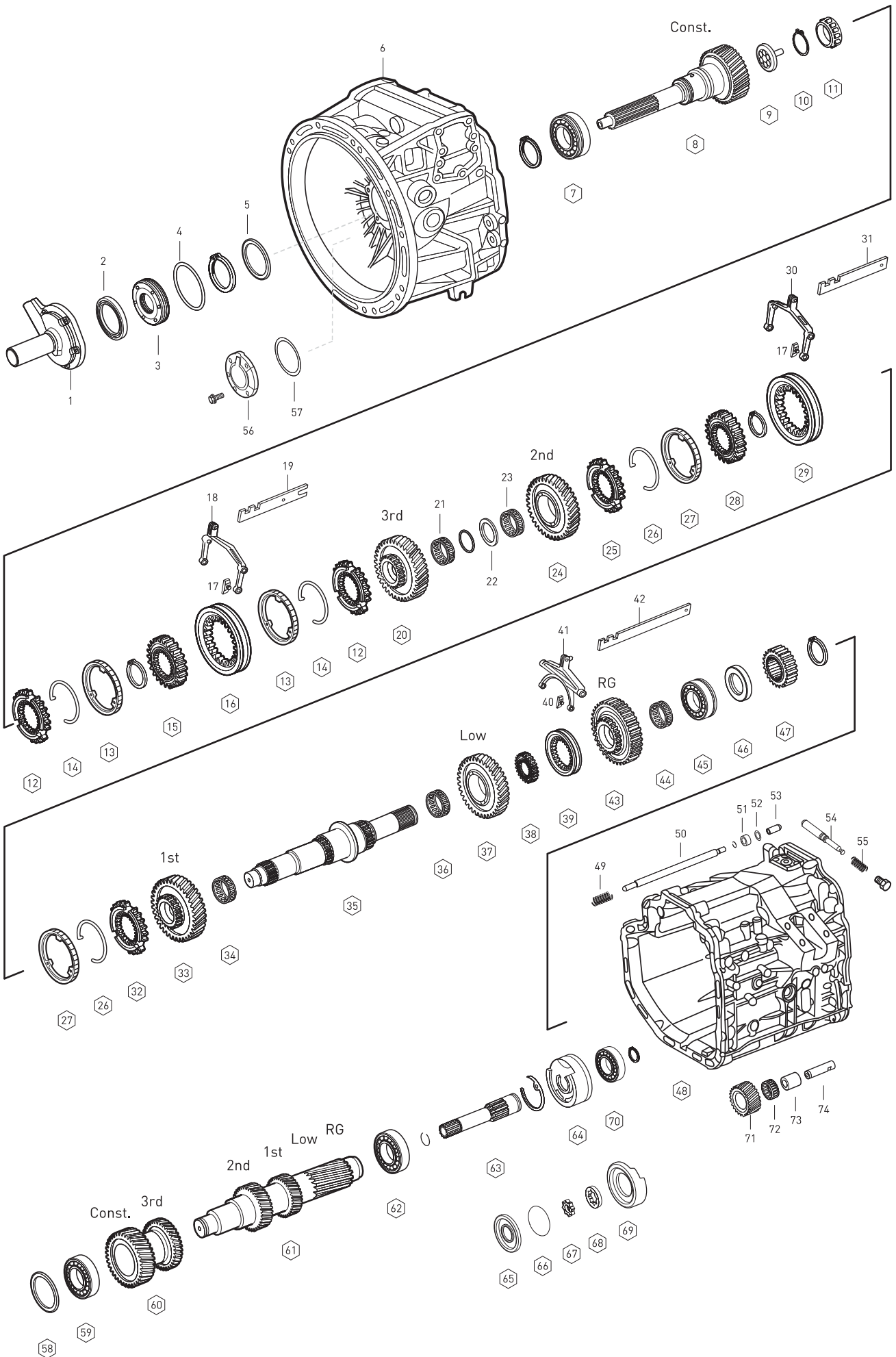


Fig.	o. Oem No	Oem Old No	Pcs	Description	Sizes	Notes	[X1] - G221-9	[X2] - G221-9	[X3] - G221-9	[X4] - G221-9	[X5] - G221-9	[X6] - G221-9
48	945 261 8403	(945 261 7903)	1	HOUSING			◆	◆	◆	◆	◆	◆
		(945 261 5303)										
48	945 261 7503		1	HOUSING			◆	◆				
49	389 993 0501		1	SPRING			◆	◆	◆	◆	◆	◆
50	945 268 0225		1	SHIFTING ROD			◆	◆	◆	◆	◆	◆
51	389 268 0051		1	SPACER RING			◆	◆	◆	◆	◆	◆
52	000988 006 019		1	FITTED WASHER	0.10mm		◆	◆	◆	◆	◆	◆
52	000988 006 020		1	FITTED WASHER	0.20mm		◆	◆	◆	◆	◆	◆
52	000988 006 021		1	FITTED WASHER	0.30mm		◆	◆	◆	◆	◆	◆
52	000988 006 013		1	FITTED WASHER	0.50mm		◆	◆	◆	◆	◆	◆
52	000988 006 001		1	FITTED WASHER	1.00mm		◆	◆	◆	◆	◆	◆
53	389 268 0674		1	PIN			◆	◆	◆	◆	◆	◆
54	389 267 0974		1	PIN			◆	◆	◆	◆	◆	◆
54	945 267 0274	(389 267 0274)	1	PIN			◆	◆	◆	◆	◆	◆
55	389 993 0601		1	SPRING			◆	◆	◆	◆	◆	◆
55	389 993 3401		1	SPRING			◆	◆	◆	◆	◆	◆
56	976 261 1633	(976 261 1733)	1	COVER			◆	◆	◆	◆	◆	◆
		(976 261 1833)										
57	028 997 2348	(004 997 2248)	1	O-RING			◆	◆	◆	◆	◆	◆
58	389 263 5352		1	SHIM	0.40mm		◆	◆	◆	◆	◆	◆
58	389 263 5852		1	SHIM	0.55mm		◆	◆	◆	◆	◆	◆
58	389 263 6352		1	SHIM	0.70mm		◆	◆	◆	◆	◆	◆
58	389 263 6852		1	SHIM	0.85mm		◆	◆	◆	◆	◆	◆
58	389 263 7352		1	SHIM	1.00mm		◆	◆	◆	◆	◆	◆
58	389 263 7852		1	SHIM	1.15mm		◆	◆	◆	◆	◆	◆
58	389 263 8352		1	SHIM	1.30mm		◆	◆	◆	◆	◆	◆
59	014 981 1405	(013 981 0605)	1	ROLLER BEARING			◆	◆	◆	◆	◆	◆
60	945 263 1913	(945 263 1813)	1	DOUBLE GEAR Const./3rd			◆	◆	◆	◆	◆	◆
		(945 263 1213)										
61	945 263 2302	(945 263 0402)	1	COUNTER SHAFT			◆	◆	◆	◆	◆	◆
		(945 263 2202)										
		(945 263 0302)										
62	013 981 8405	(012 981 8805)	1	ROLLER BEARING			◆	◆	◆	◆	◆	◆
63	947 269 1110	(945 269 1110)	1	OIL PUMP SHAFT			◆	◆	◆	◆	◆	◆
		(947 269 1010)										
		(945 269 1010)										
64	389 260 0690	(389 260 0590)	1	OIL PUMP			◆	◆	◆	◆	◆	◆
65	945 269 0201		1	OIL PUMP COVER			◆	◆	◆	◆	◆	◆
66	029 997 5748		1	OIL SEAL			◆	◆	◆	◆	◆	◆
67	389 269 1406		1	OIL PUMP GEAR			◆	◆	◆	◆	◆	◆
68	389 269 0706		1	ROTOR			◆	◆	◆	◆	◆	◆

NOTES :

[X1] : for gearbox numbered label no 715560  
[X2] : for gearbox numbered label no 715561  
[X3] : for gearbox numbered label no 715564  
[X4] : for gearbox numbered label no 715565  
[X5] : for gearbox numbered label no 715567  
[X6] : for gearbox numbered label no 715568

G221-9

# GEARBOX G221/9

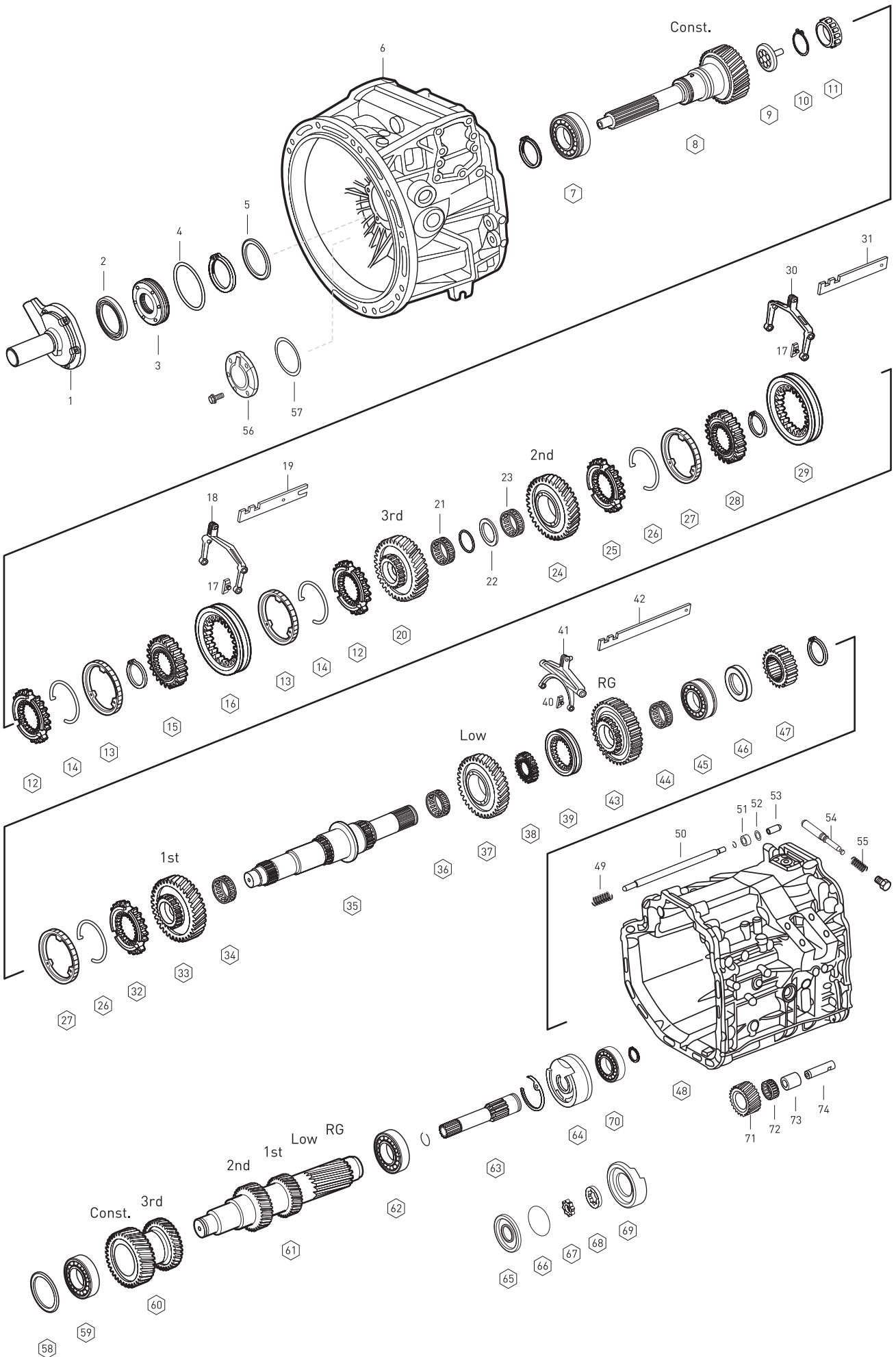


Fig.	. Oem No	Oem Old No	Pcs	Description	Sizes	Notes	[X1] - G221-9	[X2] - G221-9	[X3] - G221-9	[X4] - G221-9	[X5] - G221-9	[X6] - G221-9
69	389 269 3801		1	OIL PUMP HOUSING			◆	◆	◆	◆	◆	◆
70	004 981 8625		1	ROLLER BEARING			◆	◆	◆	◆	◆	◆
71	945 263 0431	(945 263 0331)	1	REV.IDLER GEAR			◆	◆	◆	◆	◆	◆
		(945 263 0231)										
72	019 981 1310	(012 981 8910)	1	NEEDLE CAGE			◆	◆	◆	◆	◆	◆
73	389 263 0850		1	BUSHING			◆	◆	◆	◆	◆	◆
74	976 263 0030		1	PIN			◆	◆	◆	◆	◆	◆

NOTES :  
[X1] : for gearbox numbered label no 715560  
[X2] : for gearbox numbered label no 715561  
[X3] : for gearbox numbered label no 715564  
[X4] : for gearbox numbered label no 715565  
[X5] : for gearbox numbered label no 715567  
[X6] : for gearbox numbered label no 715568

G 221 - 9

# GEARBOX G221-9

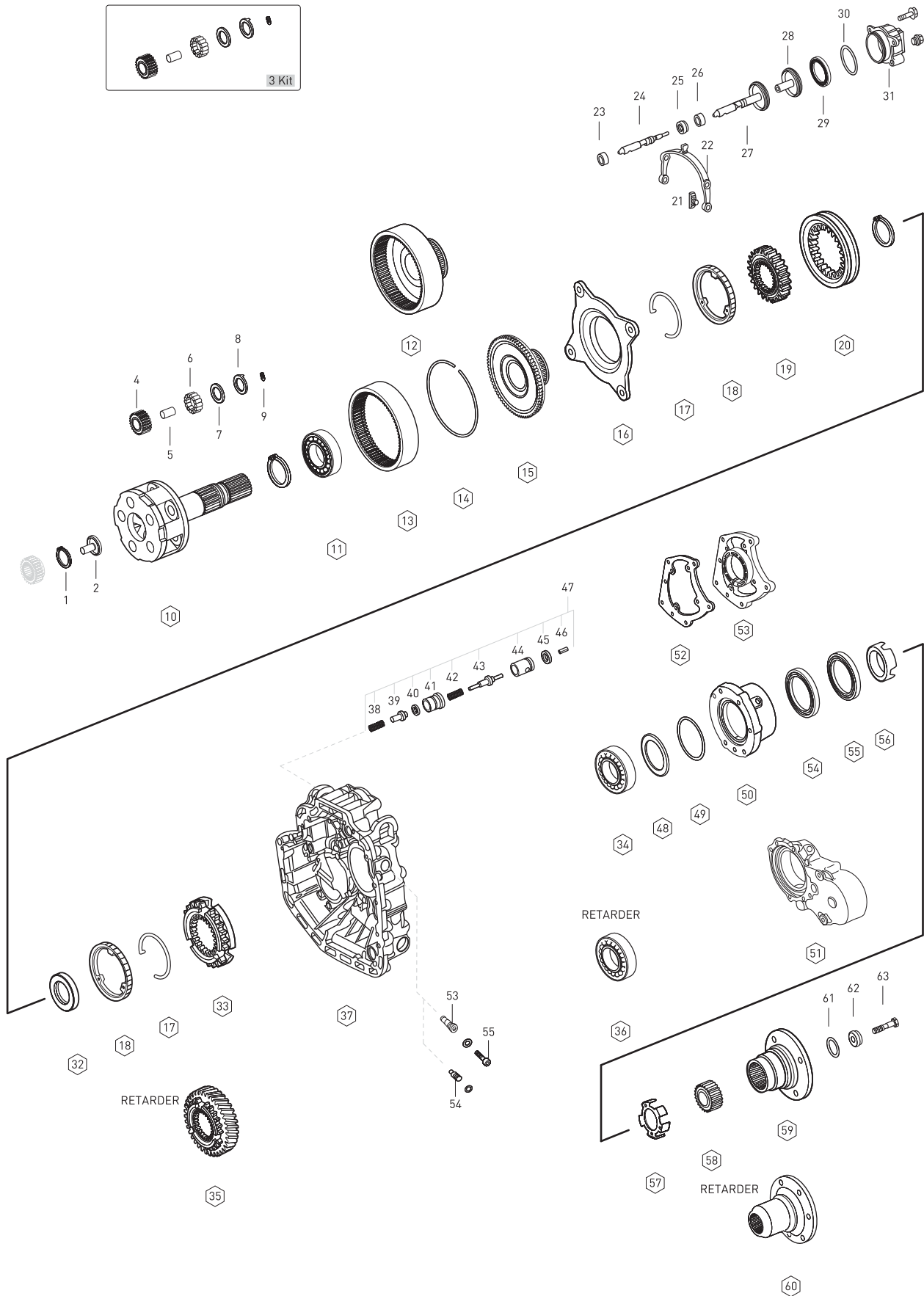


Fig.	o. Oem No	Oem Old No	Pc	Description	Sizes	Notes	[X1] - G221-9	[X2] - G221-9	[X3] - G221-9	[X4] - G221-9	[X5] - G221-9	[X6] - G221-9
1	000472 060 000		1	SNAP RING			◆	◆	◆	◆	◆	◆
2	945 269 0834	(389 269 4734)	1	OIL TUBE			◆	◆	◆	◆	◆	◆
3	945 260 0197		5	PLANETARY GEAR SET		(1)	◆	◆		◆		◆
3	655 260 0197		5	PLANETARY GEAR SET		(2)			◆		◆	
4	2106081		5	PLAN.GEAR 26 T	Ø=84.00X42.00=H	(1)	◆	◆		◆		◆
4	945 262 0006		5	PLANETARY GEAR 28 T		(2)			◆		◆	
5	389 262 0407		5	PLANETARY SHAFT			◆	◆	◆	◆	◆	◆
6	000 981 4386	(000 981 4186)	125	NEEDLE ROLLER	4.995X39.60mm		◆	◆	◆	◆	◆	◆
7	389 262 6462	(389 262 0162)	10	THRUST WASHER	35.35X43.90X1.00		◆	◆	◆	◆	◆	◆
8	945 262 0162	(389 262 0262)	10	THRUST WASHER	35.35X65.50X1.25		◆	◆	◆	◆	◆	◆
9	000914 006 109		5	THREADED PIN	5.90X13.90mm		◆	◆	◆	◆	◆	◆
10	946 260 4161	(946 260 4061)	1	PLANETARY CARRIER		(1)	◆	◆		◆		◆
		(946 260 2061)										
		(945 260 1961)										
10	946 260 3561	(946 260 3661)	1	PLANETARY CARRIER		(2)			◆		◆	
11	008 981 1325		1	ROLLER BEARING			◆	◆	◆	◆	◆	◆
12	945 262 0108	(389 262 0808)	1	ANNULUS 85 T			◆	◆	◆	◆	◆	◆
13	945 262 0208		1	RING WHEEL 85 T			◆	◆		◆		◆
13	945 262 0808		1	RING WHEEL 85 T					◆		◆	
14	389 262 0773		1	LOCK RING			◆	◆	◆	◆	◆	◆
15	389 262 1425		1	CARRIER HUB 85 T			◆	◆	◆	◆	◆	◆
16	947 260 3036	(947 260 0836)	1	FOLLOWER RING		(2)	◆	◆	◆	◆	◆	◆
16	389 260 2036		1	FOLLOWER RING		(1)	◆	◆	◆	◆	◆	◆
17	389 262 0293		2	SPRING			◆	◆	◆	◆	◆	◆
18	947 260 3045	(947 260 0945)	2	SYNCHRONIZING CONE		(2)	◆	◆	◆	◆	◆	◆
18	945 260 0850		2	SYNCHRONIZING CONE		(4)(1)	◆	◆	◆	◆	◆	◆
18	389 262 0537		2	SYNCHRONIZING CONE		(3)	◆	◆	◆	◆	◆	◆
19	389 262 4935	(389 262 2035)	1	GUIDE SLEEVE			◆	◆	◆	◆	◆	◆
20	930 262 0623	(945 262 6923)	1	ENGAGING SLEEVE		(2)	◆	◆	◆	◆	◆	◆
20	945 262 6623	(945 262 2623)	1	ENGAGING SLEEVE		(1)	◆	◆	◆	◆	◆	◆
		(945 262 0823)										
		(389 262 3823)										
		(389 262 3623)										
		(389 262 1623)										
21	947 265 0349	(389 265 2749)	2	SLIDING PAD		(2)	◆	◆	◆	◆	◆	◆
21	389 265 2449		2	SLIDING PAD		(1)	◆	◆	◆	◆	◆	◆
22	947 265 2701	(947 265 2601)	1	SHIFTING FORK		(2)	◆	◆	◆	◆	◆	◆
22	947 265 1701	(947 265 1901)	1	SHIFTING FORK		(1)	◆	◆	◆	◆	◆	◆
		(930 265 0001)										
		(389 265 0901)										
		(389 265 0201)										

NOTES :

- [X1] : for gearbox numbered label no 715560
- [X2] : for gearbox numbered label no 715561
- [X3] : for gearbox numbered label no 715564
- [X4] : for gearbox numbered label no 715565
- [X5] : for gearbox numbered label no 715567
- [X6] : for gearbox numbered label no 715568
- (1) to gearbox number of 014747
- (2) from gearbox number of 014748
- (3) to gearbox number of 012853
- (4) from gearbox number of 012854

G221-9

# GEARBOX G221-9

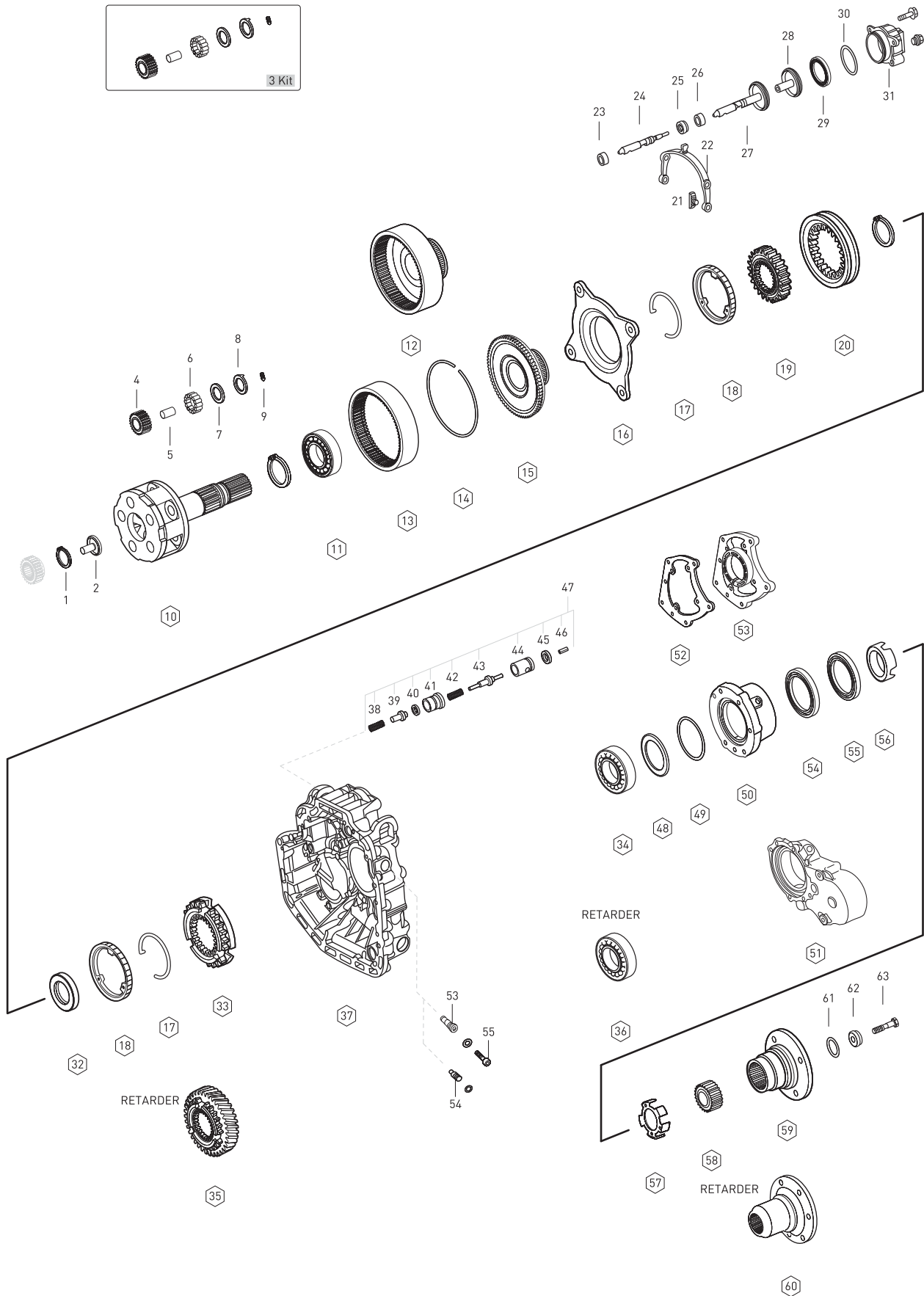


Fig.	o. Oem No	Oem Old No	Pcs	Description	Sizes	Notes	[X1] - G221-9	[X2] - G221-9	[X3] - G221-9	[X4] - G221-9	[X5] - G221-9	[X6] - G221-9
23	000 992 7703	(389 267 2250)	1	BUSHING			◆	◆	◆	◆	◆	◆
24	930 260 2789	(389 267 7317)	1	SHIFTING ROD		(2)	◆	◆	◆	◆	◆	◆
24	930 260 2889	(389 267 7617)	1	SHIFTING ROD		(1)	◆	◆			◆	◆
		(389 267 6917)										
24	930 260 1589	(930 260 0789)	1	SHIFTING ROD		(1)	◆	◆	◆		◆	◆
24	930 260 1489	(930 260 0689)	1	SHIFTING ROD		(1)	◆	◆	◆	◆	◆	◆
		(930 260 1689)										
		(930 260 0889)										
24	930 260 2589	(389 267 3517)	1	SHIFTING ROD		(1)	◆	◆	◆	◆	◆	◆
25	000 267 0197	(000 267 0397)	1	FLANGE PACKING			◆	◆	◆	◆	◆	◆
26	387 267 0650		1	BUSHING			◆	◆	◆	◆	◆	◆
27	930 267 0217	(930 260 2989)	1	PULL ROD		(2)	◆	◆			◆	◆
27	930 260 3589	(930 260 2889)	1	PULL ROD		(1)	◆	◆	◆			◆
27	930 260 2789		1	PULL ROD		(1)(2)	◆	◆	◆	◆	◆	◆
28	389 267 1018	(389 267 0118)	1	PISTON			◆	◆	◆	◆	◆	◆
29	024 997 8347	(020 997 6747)	1	SEAL RING			◆	◆	◆	◆	◆	◆
		(014 997 3647)										
		(014 997 5147)										
30	013 997 7548		1	O-RING	89.5X3.0mm		◆	◆	◆	◆	◆	◆
31	945 267 1319	(945 267 1619)	1	SHIFTING CYLINDER			◆	◆	◆	◆	◆	◆
32	389 262 0251		1	SPACER WASHER			◆	◆	◆	◆	◆	
33	945 262 3834		1	ENGAGING RING		(2)	◆	◆	◆	◆	◆	◆
33	945 262 1234	(389 262 9234)	1	ENGAGING RING		(1)	◆	◆	◆	◆		◆
34	008 981 5225	(008 981 3025)	1	ROLLER BEARING			◆	◆	◆	◆	◆	◆
34	008 981 1425		1	ROLLER BEARING			◆	◆	◆	◆	◆	◆
34	004 981 8925		1	ROLLER BEARING			◆	◆	◆	◆	◆	◆
34	004 981 9325		1	ROLLER BEARING			◆	◆	◆	◆	◆	◆
35	930 264 0320	(945 264 0520)	1	ENGAGING RING	RETARDER	(2)	◆	◆			◆	◆
35	930 264 0120		1	ENGAGING RING	RETARDER	(1)	◆	◆				
35	945 264 0130		1	ENGAGING RING	RETARDER	(1)	◆	◆				
35	389 264 0730	(389 264 0430)	1	ENGAGING RING	RETARDER		◆	◆				
36	007 981 8701		1	ROLLER BEARING	RETARDER		◆	◆				
36	007 981 8201		1	ROLLER BEARING	RETARDER		◆	◆				
37	945 261 3503	(945 261 0326)	1	HOUSING			◆	◆				
		(945 261 3403)										
37	945 260 6812		1	HOUSING			◆	◆	◆	◆	◆	◆
37	930 260 2311		1	HOUSING			◆	◆			◆	◆
37	930 260 1511	(930 260 1411)	1	HOUSING			◆	◆			◆	◆
37	945 261 4903	(945 261 9803)	1	HOUSING			◆	◆	◆	◆	◆	◆
		(945 261 4503)										

NOTES :

- [X1] : for gearbox numbered label no 715560
- [X2] : for gearbox numbered label no 715561
- [X3] : for gearbox numbered label no 715564
- [X4] : for gearbox numbered label no 715565
- [X5] : for gearbox numbered label no 715567
- [X6] : for gearbox numbered label no 715568
- (1) to gearbox number of 014747
- (2) from gearbox number of 014748

G221-9



# GEARBOX G221-9

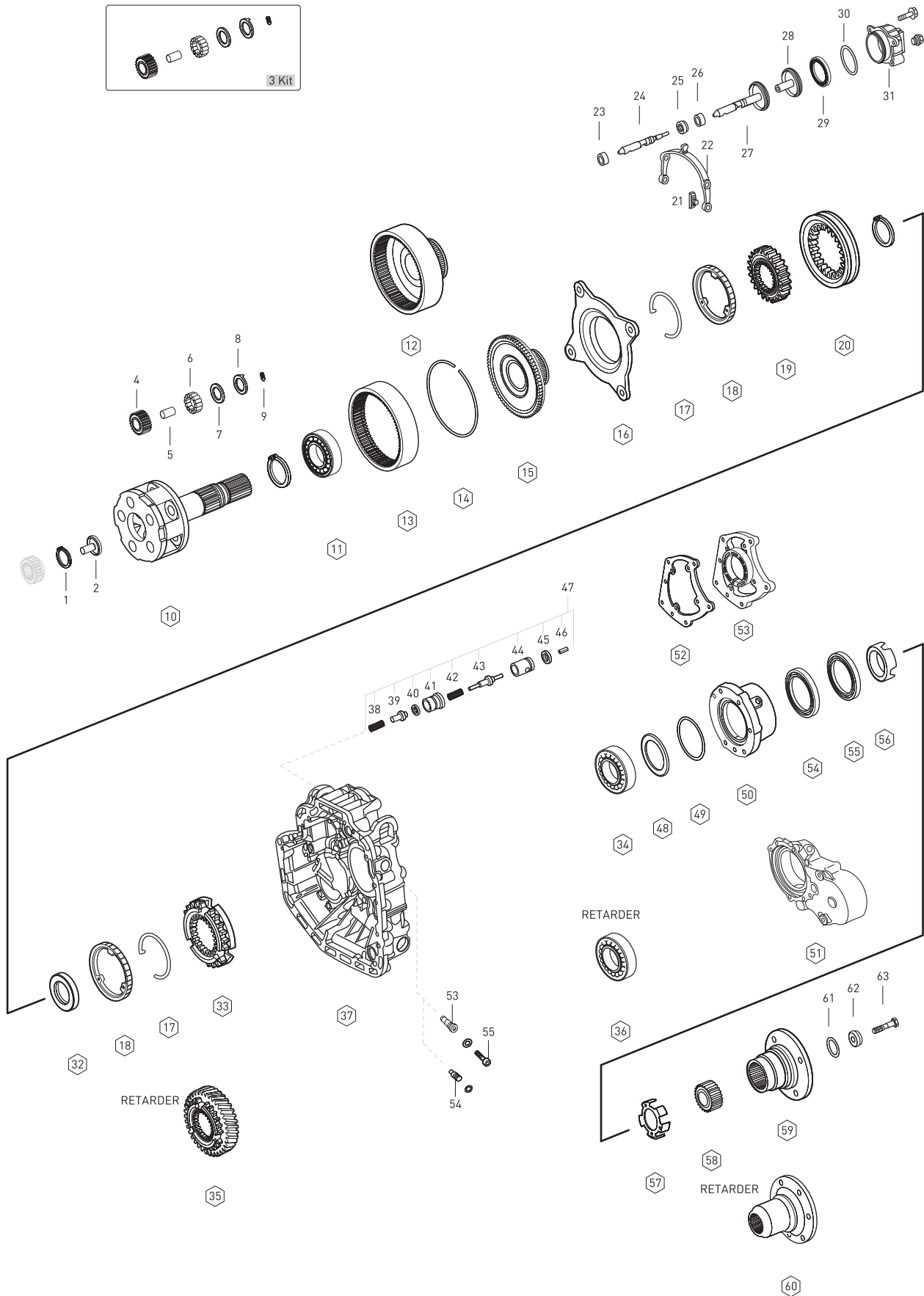


Fig.	o. Oem No	Oem Old No	Pcs	Description	Sizes	Notes	[X1] - G221-9	[X2] - G221-9	[X3] - G221-9	[X4] - G221-9	[X5] - G221-9	[X6] - G221-9
37	945 261 3826	(945 261 4303)	1	HOUSING			◆	◆				
		(945 261 0426)										
		(945 261 4703)										
		(945 261 2803)										
38	389 993 5301		1	SPRING			◆	◆	◆	◆	◆	◆
39	389 269 1026	(389 269 0926)	1	SELECTOR VALVE			◆	◆	◆	◆	◆	◆
40	013 997 0148		1	O-RING	13.3X2.4mm		◆	◆	◆	◆	◆	◆
41	389 269 1444	(389 269 0744)	1	VALVE INSERT			◆	◆	◆	◆	◆	◆
		(389 269 0144)										
42	389 993 4401		1	SPRING	11.5X41.9X1.0mm		◆	◆	◆	◆	◆	◆
43	389 269 0826		1	SELECTOR VALVE			◆	◆	◆	◆	◆	◆
44	389 269 0844		1	BALL			◆	◆	◆	◆	◆	◆
45	013 997 0048		1	O-RING	19.2X3.0mm		◆	◆	◆	◆	◆	◆
46	001481 004 001		1	CLAMPING SLEEVE			◆	◆	◆	◆	◆	◆
47	655 260 0157		1	VALVE KIT	(PTO)		◆	◆	◆	◆	◆	◆
48	389 262 7754		1	SHIM	1.40mm		◆	◆	◆	◆	◆	◆
48	389 262 5152		1	SHIM	0.80mm		◆	◆	◆	◆	◆	◆
48	389 262 5052		1	SHIM	0.40mm		◆	◆	◆	◆	◆	◆
48	389 262 7654		1	SHIM	0.25mm		◆	◆	◆	◆	◆	◆
48	389 262 4952		1	SHIM	0.20mm		◆	◆	◆	◆	◆	◆
48	389 262 4852		1	SHIM	0.15mm		◆	◆	◆	◆	◆	◆
48	389 262 4752		1	SHIM	0.10mm		◆	◆	◆	◆	◆	◆
49	020 997 8548	(015 997 2848)	1	O-RING	149,5X3,0mm		◆	◆	◆	◆	◆	◆
50	389 261 1920	(389 261 0520)	1	COVER			◆	◆	◆	◆	◆	◆
		(389 261 0420)										
50	930 261 0420		1	COVER			◆	◆			◆	◆
50	930 261 0520	(389 261 2220)	1	COVER			◆	◆	◆	◆	◆	◆
		(389 261 2020)										
		(389 261 1820)										
51	389 261 1120		1	COVER			◆					
52	945 261 0280		1	GASKET	(PTO)		◆	◆	◆	◆	◆	◆
53	945 261 1033		1	COVER	(PTO)		◆	◆	◆	◆	◆	◆
53	389 261 2433	(389 261 1033)	1	COVER	(PTO)		◆	◆	◆			
		(389 261 2333)										
		(389 261 0933)										
54	013 997 5547		1	OIL SEAL			◆	◆	◆	◆	◆	◆
54	013 997 7247		1	OIL SEAL			◆	◆	◆	◆	◆	◆
54	014 997 1947		1	OIL SEAL			◆	◆	◆	◆	◆	◆
54	015 997 6647		1	OIL SEAL			◆	◆	◆	◆	◆	◆
54	015 997 6447		1	OIL SEAL			◆	◆	◆	◆	◆	◆
55	015 997 4247		1	OIL SEAL			◆	◆	◆	◆	◆	◆

NOTES :

[X1] : for gearbox numbered label no 715560  
[X2] : for gearbox numbered label no 715561  
[X3] : for gearbox numbered label no 715564  
[X4] : for gearbox numbered label no 715565  
[X5] : for gearbox numbered label no 715567  
[X6] : for gearbox numbered label no 715568

G221-9

# GEARBOX G221-9

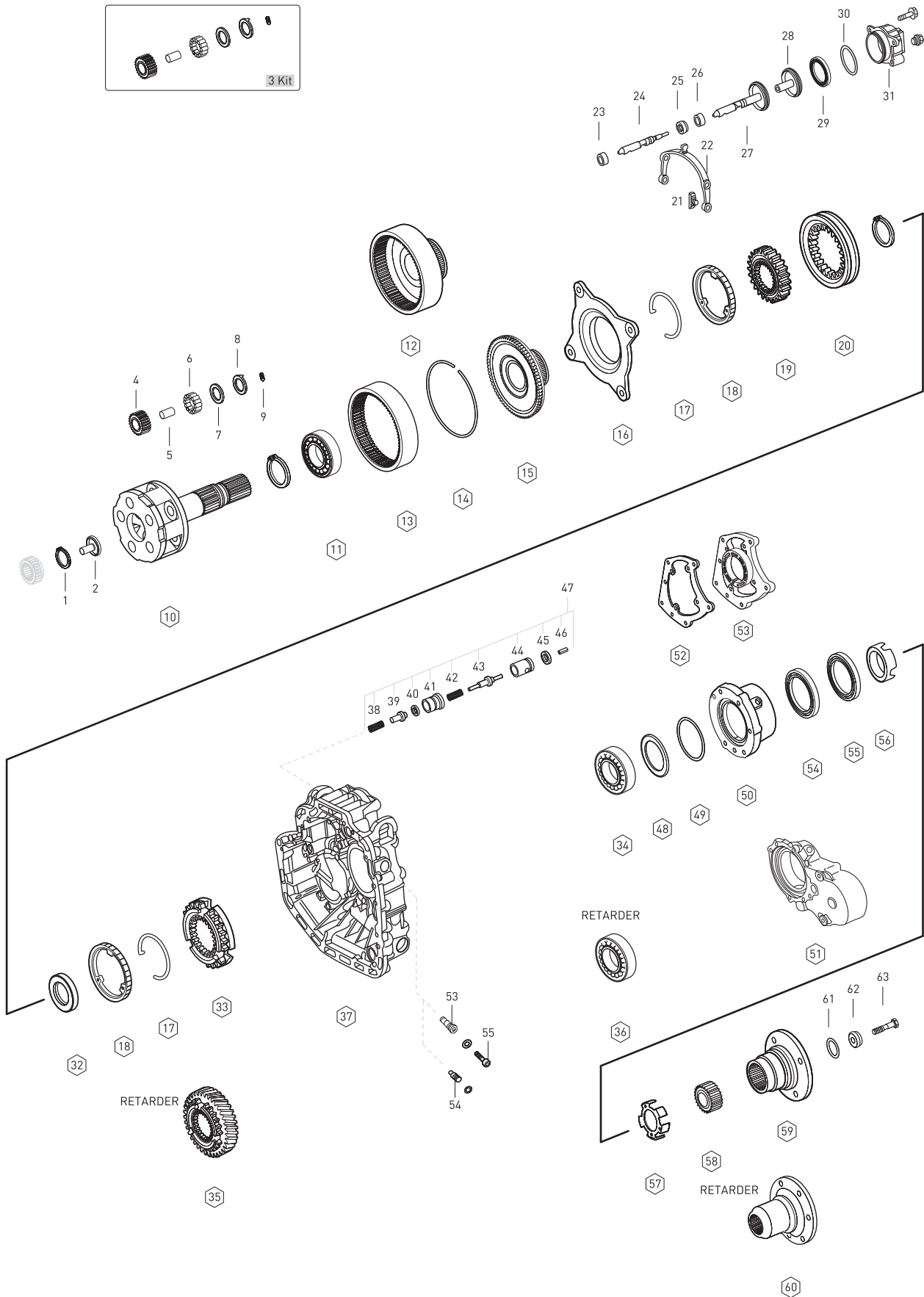


Fig.	o. Oem No	Oem Old No	Pcs	Description	Sizes	Notes	[X1] - G221-9	[X2] - G221-9	[X3] - G221-9	[X4] - G221-9	[X5] - G221-9	[X6] - G221-9
55	013 997 7347		1	OIL SEAL			◆	◆	◆	◆	◆	◆
55	013 997 5647		1	OIL SEAL			◆	◆	◆	◆	◆	◆
55	017 997 1247		1	OIL SEAL			◆	◆	◆	◆	◆	◆
55	015 997 4247		1	OIL SEAL			◆	◆	◆	◆	◆	◆
55	017 997 7347		1	OIL SEAL			◆	◆	◆	◆	◆	◆
56	930 262 0028		1	PULSE STAR			◆	◆	◆	◆	◆	◆
56	945 262 0228		1	PULSE STAR			◆	◆	◆	◆	◆	◆
56	945 262 0628	(389 260 0350)	1	PULSE STAR			◆	◆				
57	387 262 0828	(387 262 0428)	1	PULSE STAR	(PTO)		◆					
58	389 264 0021		1	GEAR	(PTO)		◆					
59	930 262 0045		1	COMPANION FLANGE	4-H, Ø180mm		◆	◆			◆	◆
59	945 262 0245		1	COMPANION FLANGE	4-H, Ø200mm		◆	◆		◆		◆
59	389 262 0945	(945 262 0345)	1	COMPANION FLANGE	4-H, Ø200mm		◆	◆				
59	389 262 0645		1	COMPANION FLANGE	4-H, Ø200mm		◆	◆				
59	389 262 0445		1	COMPANION FLANGE	4-H, Ø180mm		◆	◆				
59	389 262 0545	(945 262 0145)	1	COMPANION FLANGE	4-H, Ø180mm		◆	◆				
59	945 262 0045		1	COMPANION FLANGE	4-H, Ø180mm		◆	◆	◆	◆	◆	◆
60	930 262 0245		1	COMPANION FLANGE	RETARDER		◆	◆				
60	945 262 0545		1	COMPANION FLANGE	RETARDER		◆	◆				
60	387 264 2045	(387 264 1945)	1	COMPANION FLANGE	RETARDER		◆	◆				
60	945 262 0445		1	COMPANION FLANGE	RETARDER		◆	◆				
61	014 997 5148		1	O-RING			◆	◆	◆	◆	◆	◆
62	945 262 0062	(389 262 0362)	1	THRUST WASHER			◆	◆	◆	◆	◆	◆
63	945 990 0019	(389 990 2019)	1	SCREW	Ø24X80mm		◆	◆	◆	◆	◆	◆
		(389 990 0219)										

NOTES :

[X1] : for gearbox numbered label no 715560  
[X2] : for gearbox numbered label no 715561  
[X3] : for gearbox numbered label no 715564  
[X4] : for gearbox numbered label no 715565  
[X5] : for gearbox numbered label no 715567  
[X6] : for gearbox numbered label no 715568

G221-9

# GEARBOX G221-9

SYNCHRONIZER KIT Const./3rd  
NEW MODEL

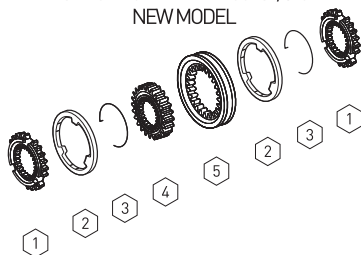


Fig.	Oem No	Oem Old No	Pcs	Description
	<b>2106220</b>		Kit	SYNCH.KIT Const./3rd
1	<b>945 262 3634</b>		2	ENGAGING RING
2	<b>945 260 2245</b>	<b>(947 260 0545)</b>	2	SYNCHRONIZING CONE
3	<b>387 262 1093</b>		2	SPRING
4	<b>945 262 3735</b>		1	GUIDE SLEEVE
5	<b>945 262 6823</b>	<b>(945 262 6423)</b>	1	ENGAGING SLEEVE

SYNCHRONIZER KIT Const./3rd  
OLD MODEL

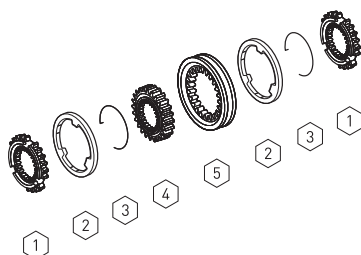


Fig.	Oem No	Oem Old No	Pcs	Description
	<b>2106221</b>		Kit	SYNCH.KIT Const./3rd
1	<b>389 262 5434</b>	<b>(945 262 0134)</b>	2	ENGAGING RING
		<b>(945 262 0334)</b>		
2	<b>389 262 0637</b>		2	SYNCHRONIZING CONE
3	<b>387 262 1093</b>		2	SPRING
4	<b>945 262 1835</b>	<b>(945 262 1935)</b>	1	GUIDE SLEEVE
5	<b>945 262 2823</b>	<b>(945 262 0323)</b>	1	ENGAGING SLEEVE
		<b>(945 262 0623)</b>		
		<b>(389 262 4123)</b>		
		<b>(389 262 2723)</b>		

SYNCHRONIZER KIT 1st/2nd  
NEW MODEL

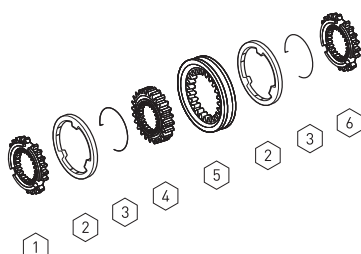


Fig.	Oem No	Oem Old No	Pcs	Description
	<b>2106222</b>		Kit	SYNCH.KIT 1st/2nd
1	<b>945 262 5434</b>		1	ENGAGING RING
2	<b>947 260 1945</b>	<b>(946 262 6137)</b>	2	SYNCHRONIZING CONE
		<b>(947 260 0745)</b>		
3	<b>387 262 0893</b>		2	SPRING
4	<b>389 262 2535</b>	<b>(945 262 0135)</b>	1	GUIDE SLEEVE
5	<b>945 262 6523</b>		1	ENGAGING SLEEVE
6	<b>945 262 5534</b>		1	ENGAGING RING

SYNCHRONIZER KIT 1st/2nd  
OLD MODEL

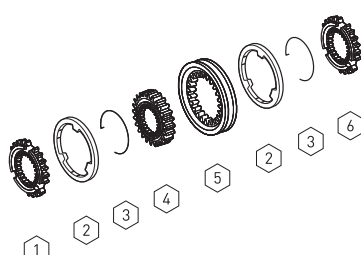


Fig.	Oem No	Oem Old No	Pcs	Description
	<b>2106223</b>		Kit	SYNCH.KIT 1st/2nd
1	<b>945 262 0534</b>	<b>(389 262 5034)</b>	1	ENGAGING RING
2	<b>389 262 0737</b>		2	SYNCHRONIZING CONE
3	<b>387 262 0893</b>		2	SPRING
4	<b>389 262 2535</b>	<b>(945 262 0135)</b>	1	GUIDE SLEEVE
5	<b>945 262 2723</b>	<b>(945 262 0423)</b>	1	ENGAGING SLEEVE
		<b>(389 262 2623)</b>		
6	<b>945 262 0434</b>	<b>(389 262 0034)</b>	1	ENGAGING RING

Fig.	o. Oem No	Oem Old No	Pcs	Description
	2106216		Kit	SYNCH.KIT PLANETARY
1	947 260 3036	(947 260 0836)	1	FOLLOWER RING
2	389 262 0293		2	SPRING
3	947 260 3045	(947 260 0945)	2	SYNCHRONIZING CONE
4	389 262 4935	(389 262 2035)	1	GUIDE SLEEVE
5	930 262 0623	(945 262 6923)	1	ENGAGING SLEEVE
6	945 262 3834		1	ENGAGING RING

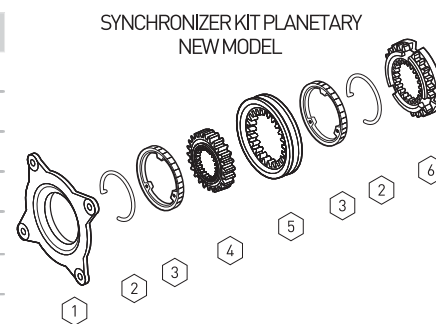


Fig.	o. Oem No	Oem Old No	Pcs	Description
	2106204		Kit	SYNCH.KIT PLANETARY
1	389 262 0293		2	SPRING
2	947 260 3045	(947 260 0945)	2	SYNCHRONIZING CONE
3	389 262 4935	(389 262 2035)	1	GUIDE SLEEVE
4	930 262 0623	(945 262 6923)	1	A ENGAGING SLEEVE

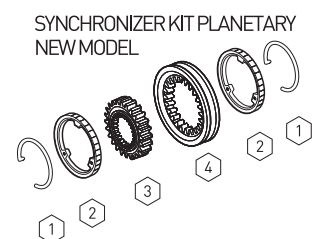


Fig.	o. Oem No	Oem Old No	Pcs	Description
	2106217		Kit	SYNCH.KIT PLANETARY
1	389 260 2036		1	FOLLOWER RING
2	389 262 0293		2	SPRING
3	389 262 0537		2	SYNCHRONIZING CONE
4	389 262 4935	(389 262 2035)	1	GUIDE SLEEVE
5	945 262 6623	(945 262 2623)	1	ENGAGING SLEEVE
		(945 262 0823)		
		(389 262 3823)		
		(389 262 3623)		
		(389 262 1623)		
6	945 262 1234	(389 262 9234)	1	ENGAGING RING

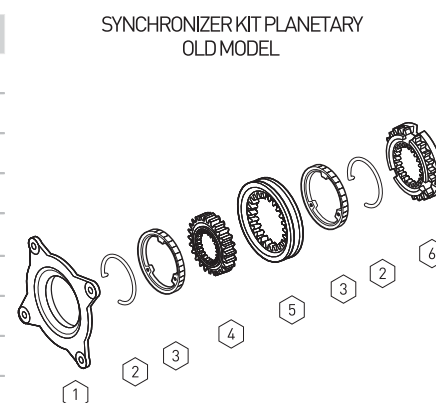
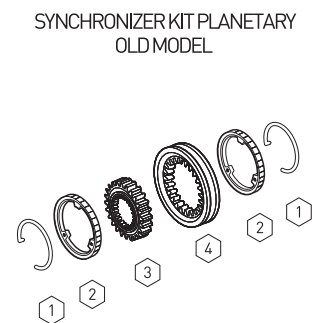


Fig.	o. Oem No	Oem Old No	Pcs	Description
	2106194		Kit	SYNCH.KIT PLANETARY
1	389 262 0293		2	SPRING
2	389 262 0537		2	SYNCHRONIZING CONE
3	389 262 4935	(389 262 2035)	1	GUIDE SLEEVE
4	945 262 6623	(945 262 2623)	1	ENGAGING SLEEVE
		(945 262 0823)		
		(389 262 3823)		
		(389 262 3623)		
		(389 262 1623)		



RETARDER

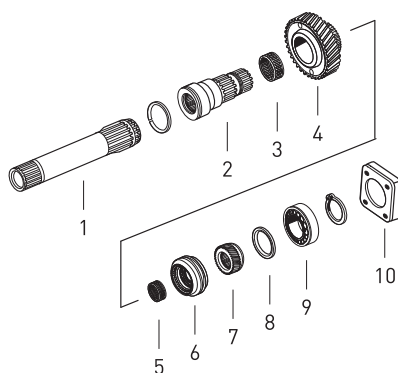


Fig.	. Oem No	Oem Old No	Pcs	Description
1	387 264 0505		1	INTERM.SHAFT
1	389 264 0105		1	INTERM.SHAFT
1	945 264 0605		1	INTERM.SHAFT
1	945 264 0705		1	INTERM.SHAFT
1	945 264 1405		1	INTERM.SHAFT
2	945 264 0606		1	DRIVE SHAFT
3	010 981 1310		1	NEEDLE CAGE
4	945 264 0020		1	GEAR
5	015 981 9310		1	NEEDLE CAGE
6	389 264 0023		1	SLIDING COLLAR
7	945 264 0046		1	FOLLOWER
8	673 264 0252		1	i SHIM (0.10mm)
8	673 264 0352		1	i SHIM (0.15mm)
8	673 264 0452		1	i SHIM (0.25mm)
8	673 264 0552		1	i SHIM (0.30mm)
9	009 981 5301		1	ROLLER BEARING
10	389 264 0111		1	i COVER

RETARDER

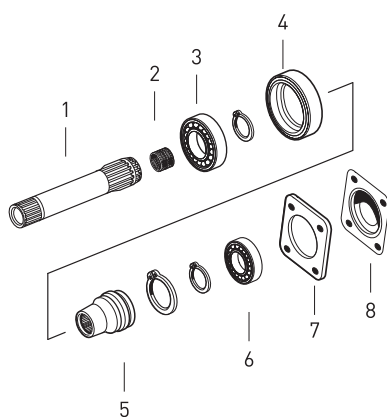


Fig.	. Oem No	Oem Old No	Pcs	Description
1	945 264 0305		1	INTERM.SHAFT
1	389 264 0505		1	INTERM.SHAFT
1	K21.03493 389 264 0205	(387 264 0405)	1	INTERM.SHAFT
2	013 981 0610		1	NEEDLE CAGE
3	008 981 3225		1	ROLLER BEARING
4	945 264 0687	(389 264 0587)	1	RING
5	389 264 0223		1	SLIDING COLLAR
6	006 981 2525		1	ROLLER BEARING
7	389 264 0780		1	GASKET
8	945 264 0611		1	COVER
8	389 264 0311		1	COVER

Fig	o. Oem No	Oem Old No	Pcs	Description
1	013 981 4705		1	ROLLER BEARING
2	945 264 0406		1	DRIVE SHAFT
2	945 264 0306		1	DRIVE SHAFT
3	019 997 8747		1	O-RING
4	019 997 8647		1	O-RING
5	015 981 0805		1	ROLLER BEARING
6	013 981 4605		1	ROLLER BEARING
7	945 264 0221		1	GEAR
8	945 264 0251		1	THRUST WASHER
9	013 981 0605		1	ROLLER BEARING
10	389 264 0652		1	SHIM (0.10mm)
10	389 264 0752		1	SHIM (0.15mm)
10	389 264 0852		1	SHIM (0.30mm)
10	389 264 0952		1	SHIM (0.50mm)
11	010 997 7445		1	O-RING
12	945 260 0027		1	SPINDLE

P.T.O. (POWER TAKE OFF)  
N.M.V. GEARBOX

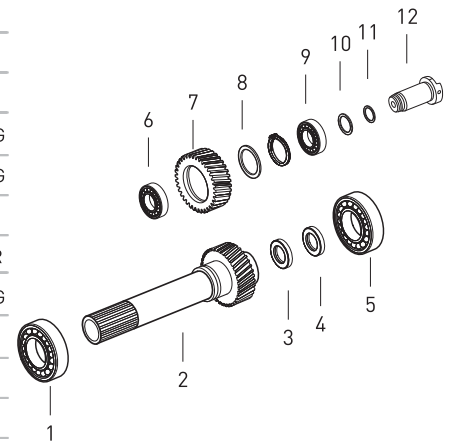
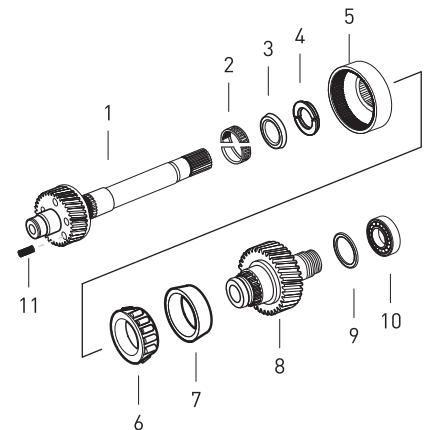


Fig	o. Oem No	Oem Old No	Pcs	Description
1	945 264 0106	(945 264 0506)	1	DRIVE SHAFT P.T.O.
2	011 981 4110	(011 981 4010)	1	NEEDLE BEARING
3	389 264 0073		1	RETAINING RING
4	389 264 0129		1	SPL.RING (3.97mm)
4	389 264 0829		1	SPL.RING (4.12mm)
4	389 264 0929		1	SPL.RING (4.22mm)
4	389 264 0429		1	SPL.RING (4.27mm)
5	945 264 0007		1	DISC SUPPORT
6	017 981 3705	(002 981 4481)	1	INNER RING
7	001 981 9280		1	OUTER RACE
8	945 264 0321		1	GEAR
8	945 264 0421		1	GEAR
9	389 264 1252		1	SHIM (0.05mm)
9	389 264 1352		1	SHIM (0.10mm)
9	389 264 1652		1	SHIM (0.30mm)
9	389 264 1752		1	SHIM (0.50mm)
10	009 981 6705	(009 981 7205)	1	ROLLER BEARING
11	385 993 3701		5	SPRING

P.T.O. (POWER TAKE OFF)  
N.M.V. GEARBOX





GEARBOX GO210/8

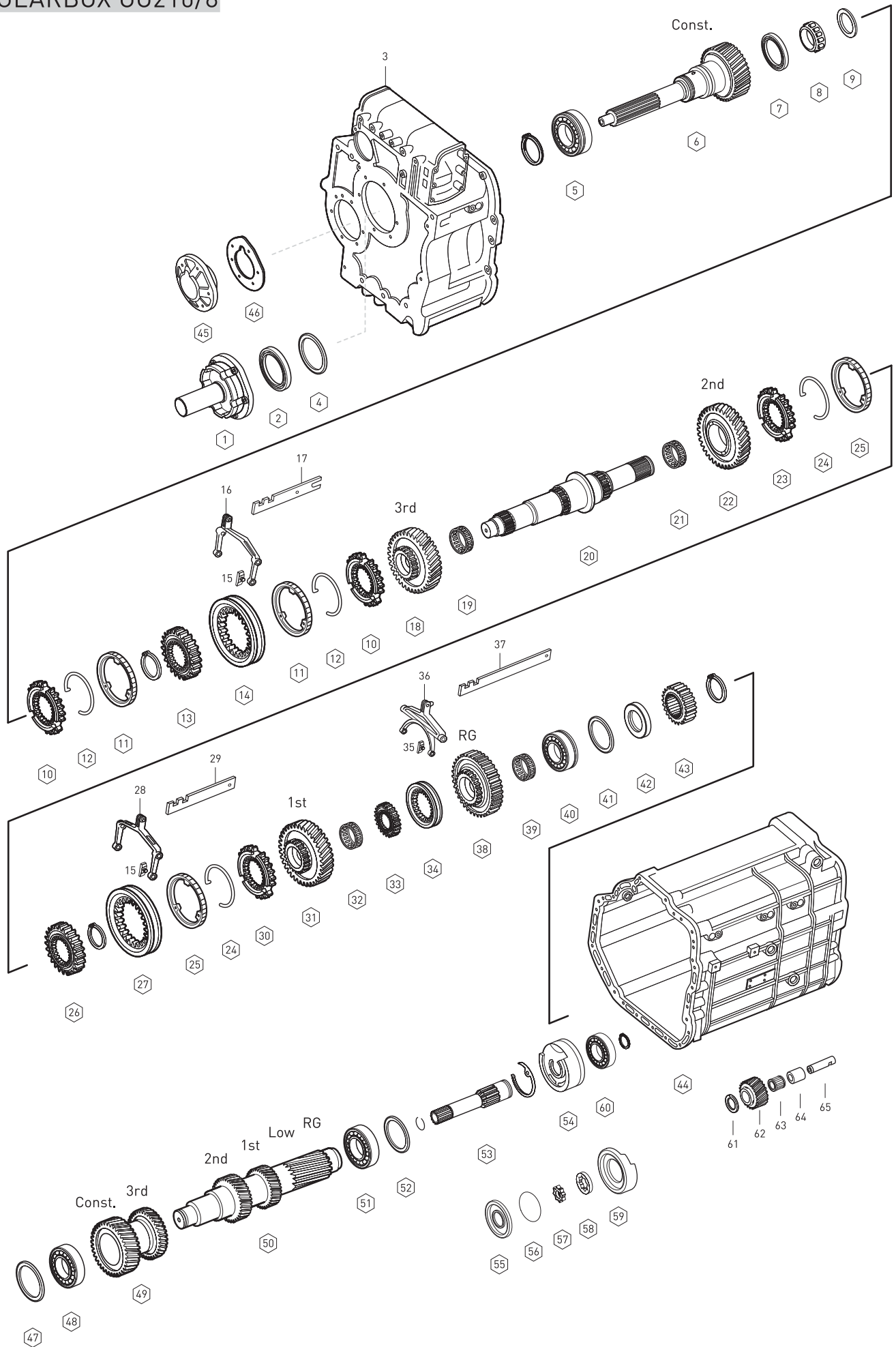


Fig.	Oem No	Oem Old No	Pcs.	Description	Sizes	Notes	
1	389 261 3318		1	COVER		(2)	◆
1	389 261 1018		1	COVER		(1)	◆
2	015 997 2748		1	OIL SEAL		(2)	◆
2	015 997 1647	(015 997 0647)	1	OIL SEAL		(1)	◆
3	389 261 0208	(389 261 9502)	1	HOUSING			◆
3	389 261 6002	(389 261 4702)	1	HOUSING			◆
		(389 261 5802)					
		(389 261 3002)					
		(389 261 4202)					
4	389 262 4152		1	SHIM	0.10mm	(3)	◆
4	389 262 4452		1	SHIM	0.40mm	(3)	◆
4	389 262 1954		1	SHIM	0.45mm	(3)	◆
4	389 262 2054		1	SHIM	0.50mm	(3)	◆
4	389 262 2154		1	SHIM	0.55mm	(3)	◆
4	389 262 2254		1	SHIM	0.60mm	(3)	◆
4	389 262 2354		1	SHIM	0.65mm	(3)	◆
4	389 262 2454		1	SHIM	0.70mm	(3)	◆
4	389 262 2554		1	SHIM	0.75mm	(3)	◆
4	389 262 4552		1	SHIM	0.80mm	(3)	◆
4	389 262 2654		1	SHIM	2.00mm	(3)	◆
4	389 262 3055		1	SHIM	0.25mm	(4)	◆
4	389 262 3255		1	SHIM	0.31mm	(4)	◆
4	389 262 3555		1	SHIM	0.40mm	(4)	◆
4	389 262 4055		1	SHIM	0.55mm	(4)	◆
5	014 981 9005	(011 981 1305)	1	ROLLER BEARING	75X140X30mm		◆
6	389 262 3502		1	INPUT SHAFT 24T		(6)	◆
6	389 262 2302		1	INPUT SHAFT 24T		(5)	◆
7	018 997 8647	(018 997 8347)	1	OIL SEAL			◆
8	008 981 2805	(008 981 4005)	1	ROLLER BEARING	40X90.97X32mm		◆
9	389 262 6454		1	THRUST WASHER	2.50 mm		◆
9	389 262 5552		1	THRUST WASHER	1.20 mm		◆
9	2104149		1	THRUST WASHER	1.10 mm		◆
9	2104148		1	THRUST WASHER	1.00 mm		◆
9	2104147		1	THRUST WASHER	0.90 mm		◆
9	389 262 5652		1	THRUST WASHER	0.80 mm		◆
9	389 262 2954		1	THRUST WASHER	0.70mm		◆
9	389 262 3054		1	THRUST WASHER	0.60mm		◆
9	389 262 5752		1	THRUST WASHER	0.50 mm		◆
9	389 262 7954		1	THRUST WASHER	0.30 mm		◆
9	389 262 5852		1	THRUST WASHER	0.20mm		◆
9	389 262 5952		1	THRUST WASHER	0.10mm		◆

**NOTES :**

- [X1] : for gearbox numbered label no 714743 EPS
- (1) to gearbox number of 018250
- (2) from gearbox number of 018251
- (3) to gearbox number of 375914
- (4) from gearbox number of 375915
- (5) to gearbox number of 237608
- (6) from gearbox number of 237609

# GEARBOX GO210/8

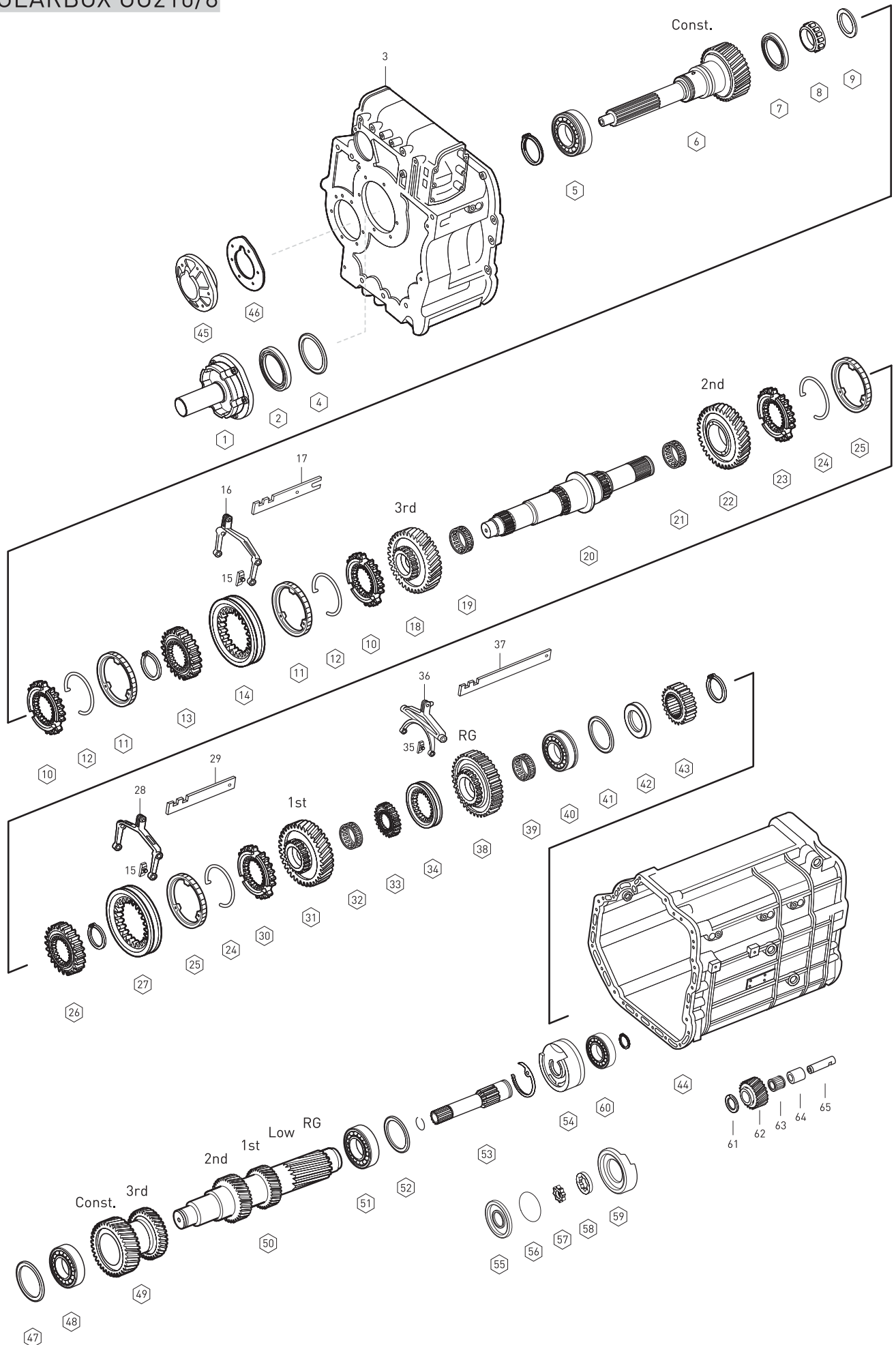


Fig.	Oem No	Oem Old No	Pcs	Description	Sizes	Notes	
10	389 262 5634	(389 262 3934)	2	ENGAGING RING			◆
11	945 260 0450		2	SYNCHRONIZING CONE	177.0mm		◆
11	389 262 0637		2	SYNCHRONIZING CONE	177.0mm		◆
12	387 262 1093		2	SPRING			◆
13	389 262 0635		1	GUIDE SLEEVE			◆
14	389 262 3023	(389 262 2223)	1	ENGAGING SLEEVE			◆
		(389 262 0623)					
15	389 265 2349	(389 265 1149)	4	SLIDING PAD			◆
16	389 260 4030	(389 260 2830)	1	GEAR SHIT FORK			◆
		(389 260 0830)					
17	389 265 6604		1	SHIFTING ROD			◆
18	389 262 1013		1	GEAR 3rd			◆
19	009 981 1410	(008 981 9210)	1	NEEDLE CAGE			◆
20	389 262 1305		1	MAIN SHAFT			◆
21	018 981 6610		1	NEEDLE CAGE			◆
22	389 262 1412		1	GEAR 2nd			◆
23	389 262 0534		1	ENGAGING RING			◆
24	387 262 0893		2	SPRING	196.0mm		◆
25	945 260 0650		2	SYNCHRONIZING CONE			◆
25	389 262 0737		2	SYNCHRONIZING CONE	167.0mm		◆
26	389 262 0035		1	GUIDE SLEEVE			◆
27	389 262 2923	(389 262 0723)	1	ENGAGING SLEEVE			◆
28	389 260 4330	(389 260 0730)	1	SHIFTING FORK			◆
29	389 265 3604		1	SHIFTING ROD			◆
30	945 262 0434	(389 262 0034)	1	ENGAGING RING			◆
31	389 262 1711		1	GEAR 1st			◆
32	017 981 0210	(019 981 0910)	1	NEEDLE BEARING			◆
		(012 981 9210)					
		(008 981 8310)					
		(019 981 4410)					
33	389 262 2135		1	GUIDE SLEEVE			◆
34	389 262 1823	(389 262 0923)	1	ENGAGING SLEEVE			◆
35	947 265 0249	(945 265 0149)	2	SLIDING PAD			◆
36	389 260 1530	(389 260 4730)	1	SHIFTING FORK			◆
		(389 260 1630)					
37	389 265 3704		1	SHIFTING ROD			◆
38	389 262 1833		1	REVERSE GEAR			◆
39	013 981 6510	(013 981 5210)	1	NEEDLE BEARING			◆
40	016 981 1305	(014 981 7505)	1	ROLLER BEARING			◆
41	389 262 3552		1	SHIM	0.10mm		◆
41	389 262 3652		1	SHIM	0.15mm		◆

NOTES :

[X1] : for gearbox numbered label no 714743 EPS

[X1]-G0210-8/1.8

G0210-8

GEARBOX GO210/8

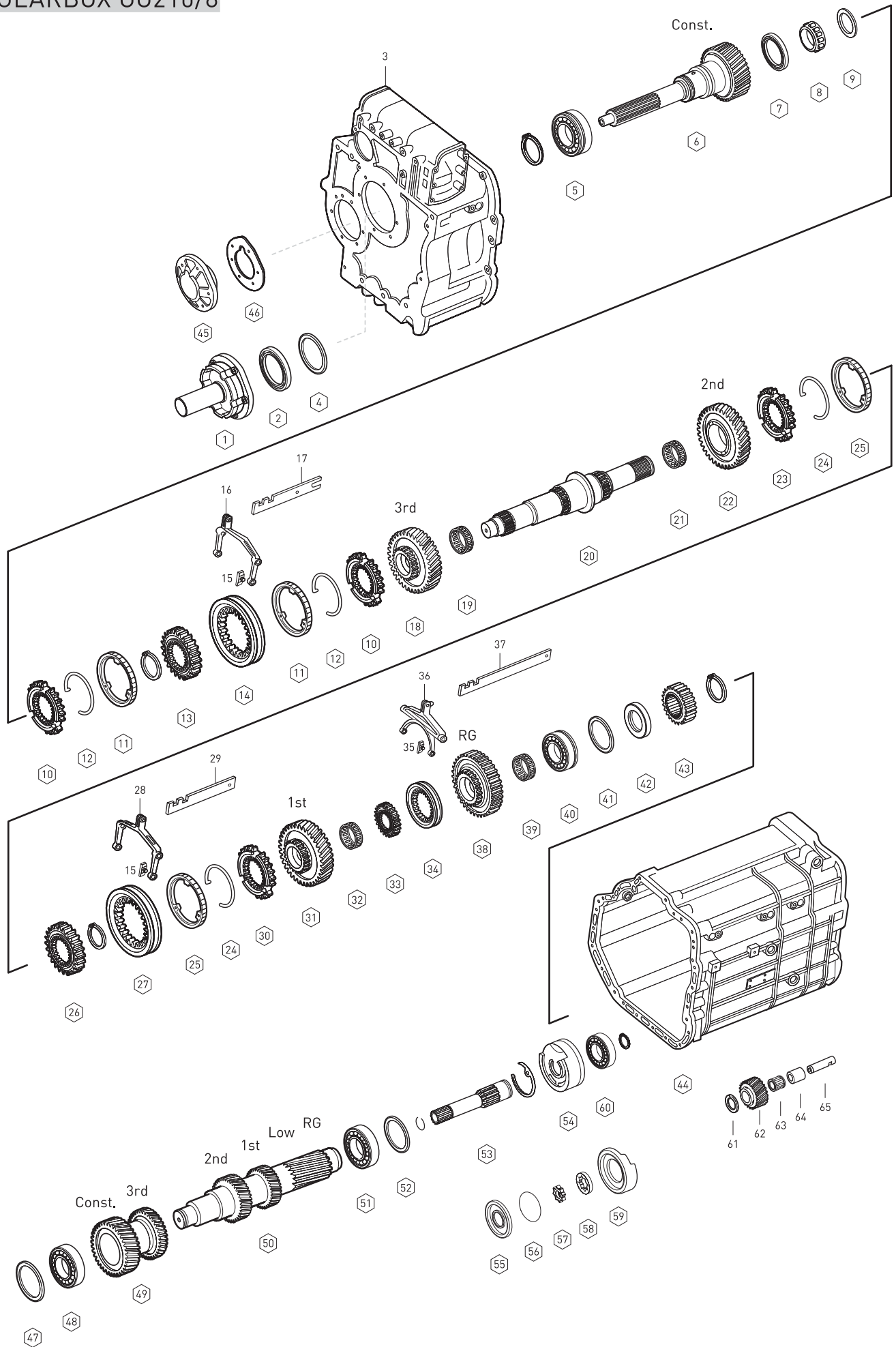


Fig.	Oem No	Oem Old No	Pcs	Description	Sizes	Notes	
41	389 262 3752		1	SHIM	0.20mm		◆
41	389 262 3852		1	SHIM	0.40mm		◆
41	389 262 3952		1	SHIM	0.80mm		◆
42	389 262 3754		1	THRUST WASHER		(8)	◆
42	389 262 0152		1	THRUST WASHER		(7)	◆
43	389 262 0209		1	SUN GEAR		(8)	◆
43	389 262 0409		1	SUN GEAR		(7)	◆
43	389 262 0009		1	SUN GEAR			◆
44	389 261 7303		1	HOUSING		(10)	◆
44	389 261 3503	(389 261 1903)	1	HOUSING		(9)	◆
45	389 261 1933		1	COVER			◆
46	387 261 4580	(387 261 1580)	1	GASKET			◆
47	406 337 0252		1	SHIM	0.10mm	(3)	◆
47	406 337 0352		1	SHIM	0.20mm	(3)	◆
47	389 263 3252		1	SHIM	0.40mm	(3)	◆
47	389 263 3352		1	SHIM	0.45mm	(3)	◆
47	389 263 3852		1	SHIM	0.70mm	(3)	◆
47	389 263 3952		1	SHIM	0.75mm	(3)	◆
47	389 263 5352		1	SHIM	0.40mm	(4)	◆
47	389 263 5852		1	SHIM	0.55mm	(4)	◆
47	389 263 6352		1	SHIM	0.70mm	(4)	◆
47	389 263 6852		1	SHIM	0.85mm	(4)	◆
47	389 263 7352		1	SHIM	1.00mm	(4)	◆
47	389 263 7852		1	SHIM	1.15mm	(4)	◆
47	389 263 8352		1	SHIM	1.30mm	(4)	◆
48	014 981 1405	(013 981 0605)	1	ROLLER BEARING	51X100X37.5mm		◆
49	389 263 1113		1	DOUBLE GEAR Const./ 3rd			◆
50	389 263 0902		1	COUNTER SHAFT			◆
51	012 981 9405	(016 981 1205)	1	ROLLER BEARING	60x130x34mm		◆
52	389 263 0152		1	SHIM	0.10mm		◆
52	389 263 4052		1	SHIM	0.60mm		◆
52	389 263 4152		1	SHIM	0.65mm		◆
52	389 263 4252		1	SHIM	0.70mm		◆
52	389 263 4352		1	SHIM	0.75mm		◆
52	389 263 0552		1	SHIM	0.80mm		◆
52	389 263 4452		1	SHIM	0.85mm		◆
52	389 263 4552		1	SHIM	0.90mm		◆
52	389 263 4652		1	SHIM	0.95mm		◆
52	389 263 4752		1	SHIM	1.00mm		◆
52	389 263 4852		1	SHIM	1.05mm		◆
52	389 263 4952		1	SHIM	1.10mm		◆

**NOTES :**

- [X1] : for gearbox numbered label no 714743 EPS
- (3) to gearbox number of 375914
- (4) from gearbox number of 375915
- (7) to gearbox number of 182425
- (8) from gearbox number of 182426
- (9) to gearbox number of 380570
- (10) from gearbox number of 380571







# GEARBOX GO210-8

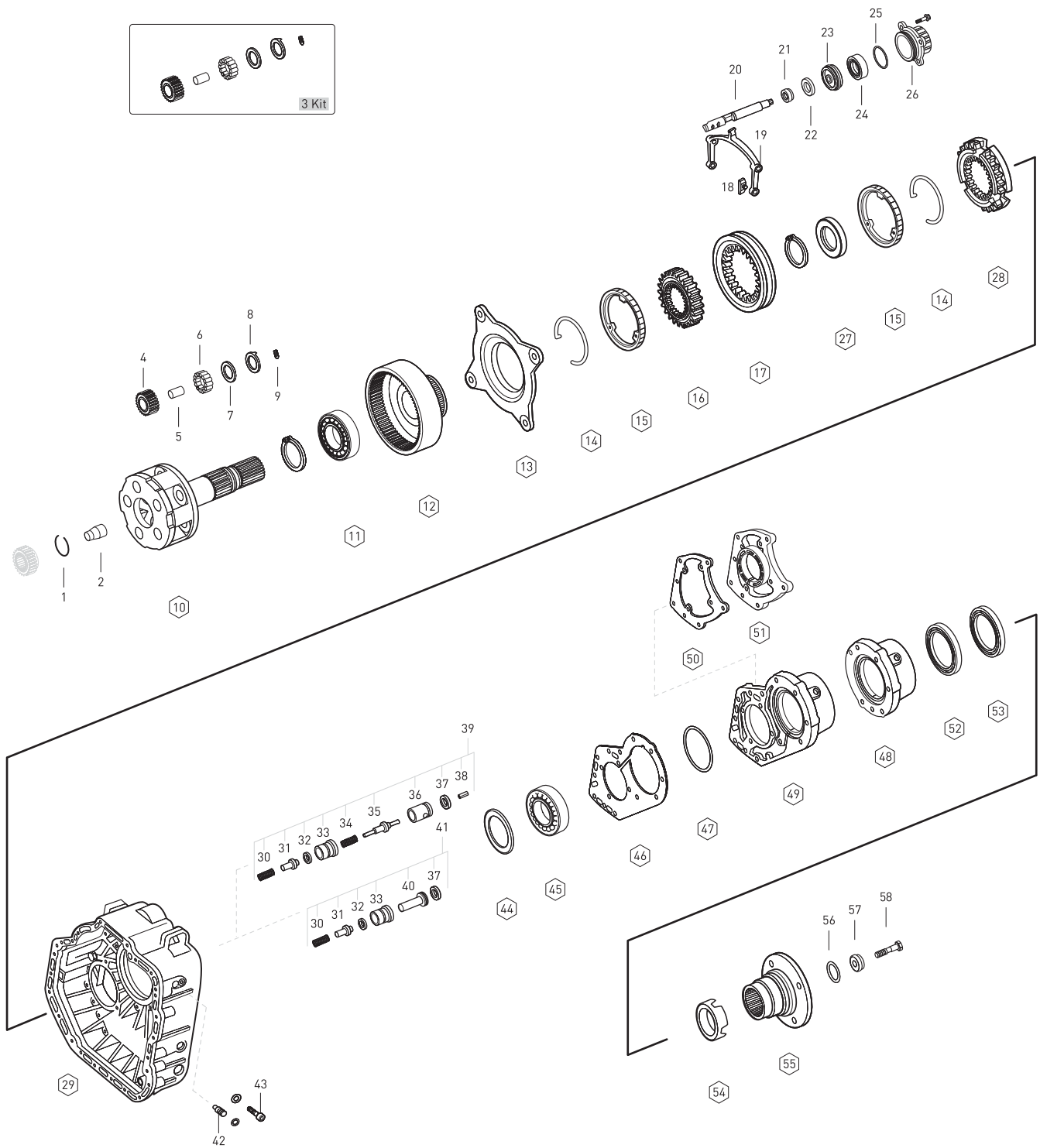


Fig.	Oem No	Oem Old No	Pcs	Description	Sizes	Notes	
1	007993 040 200		1	SNAP RING			◆
2	389 269 0134		1	OIL TUBE			◆
3	389 260 0497		1	PLANETARY GEAR SET		(2)	◆
3	389 260 0297		1	PLANETARY GEAR SET		(1)	◆
4	2106034		5	PLANETARY GEAR 26 T	Ø=88.50X41.00=H	(2)	◆
5	389 262 0407		5	PLANETARY SHAFT		(2)	◆
6	000 981 4386	(000 981 4186)	125	NEEDLE ROLLER	4.995X39.60mm	(2)	◆
6	001 981 2987	(001 981 2887)	125	NEEDLE ROLLER	4.995X36.80mm	(1)	◆
7	389 262 6462	(389 262 0162)	10	THRUST WASHER	35.35X43.90X1.00mm		◆
8	945 262 0162	(389 262 0262)	10	THRUST WASHER	35.35X65.50X1.25mm		◆
9	000914 006 109		5	THREADED PIN	5.90X13.90mm		◆
10	389 260 9061	(389 260 8961)	1	PLANETARY CARRIER		(2)	◆
		(389 260 7661)					
		(389 260 1361)					
10	389 260 0661		1	PLANETARY CARRIER		(1)	◆
11	008 981 1325		1	ROLLER BEARING			◆
12	389 262 0208		1	ANNULUS 80 T			◆
13	389 260 2036		1	FOLLOWER RING		(4)	◆
13	389 260 0936		1	FOLLOWER RING		(3)	◆
14	389 262 0293		2	SPRING			◆
15	945 260 0850		2	SYNCHRONIZING CONE		(4)	◆
15	389 262 0537		2	SYNCHRONIZING CONE		(3)	◆
16	389 262 4935	(389 262 2035)	1	GUIDE SLEEVE		(4)	◆
16	389 262 0535		1	GUIDE SLEEVE		(3)	◆
17	945 262 6623	(945 262 2623)	1	ENGAGING SLEEVE		(4)	◆
		(945 262 0823)					
		(389 262 3823)					
		(389 262 3623)					
		(389 262 1623)					
17	389 262 1523	(389 262 0123)	1	ENGAGING SLEEVE		(3)	◆
18	389 265 2449		2	SLIDING PAD		(4)	◆
18	389 265 1249	(389 265 0949)	2	SLIDING PAD		(3)	◆
19	947 265 2701	(947 265 2601)	1	SHIFTING FORK			◆
19	947 265 1701	(947 265 1901)	1	SHIFTING FORK			◆
		(930 265 0001)					
		(389 265 0901)					
		(389 265 0201)					
20	389 267 7217	(389 267 3917)	1	SHIFTING ROD		(6)	◆
20	389 267 3117		1	SHIFTING ROD		(5)	◆
21	000 267 0197	(000 267 0397)	1	FLANGE PACKING			◆
22	387 267 0650		1	BUSHING			◆

NOTES :

- [X1] : for gearbox numbered label no 714743 EPS
- (1) to gearbox number of 182425
- (2) from gearbox number of 182426
- (3) to gearbox number of 201817
- (4) from gearbox number of 201818
- (5) to gearbox number of 070418
- (6) from gearbox number of 070419

# GEARBOX G0210-8

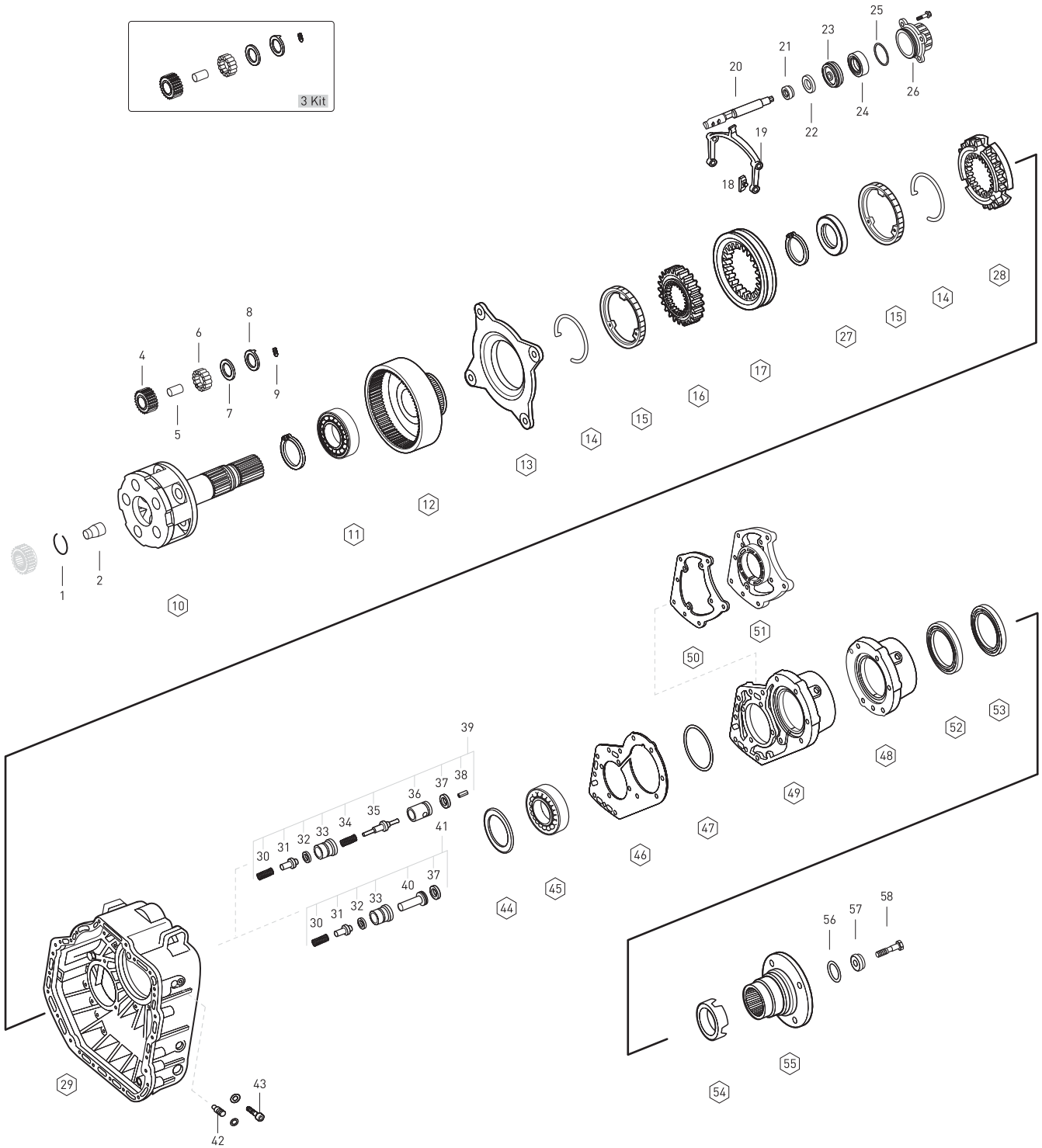


Fig.	Oem No	Oem Old No	Pcs.	Description	Sizes	Notes	
23	389 267 1018	(389 267 0118)	1	PISTON			◆
24	024 997 8347	(020 997 6747)	1	SEAL RING			◆
		(014 997 3647)					
		(014 997 5147)					
25	013 997 7548		1	O-RING	89.5X3.0mm		◆
26	945 267 1119	(389 267 2919)	1	SHIFTING CYLINDER			◆
		(389 267 1319)					
		(389 267 1419)					
		(389 267 4219)					
27	389 262 0251		1	SPACER RING			◆
28	389 262 4034		1	ENGAGING RING		[4]	◆
28	389 262 2334	(389 262 1934)	1	ENGAGING RING		[3]	◆
28	389 262 0934		1	ENGAGING RING		[9]	◆
29	389 261 5126	(389 261 4926)	1	HOUSING		[8]	◆
29	389 261 4703	(389 261 4603)	1	HOUSING		[7]	◆
		(389 261 2703)					
		(389 261 1203)					
29	389 261 2126	(389 261 2226)	1	HOUSING			◆
		(389 261 2326)					
		(389 261 2426)					
		(389 261 7803)					
		(389 261 7903)					
30	389 993 5301		1	SPRING			◆
30	389 993 4301		1	SPRING			◆
30	389 993 1701		1	SPRING			◆
31	389 269 1026	(389 269 0926)	1	SELECTOR VALVE			◆
31	389 269 0026		1	SELECTOR VALVE			◆
31	005401 311 000		1	BALL			◆
32	013 997 0148		1	O-RING	13.3X2.4mm		◆
32	015 997 6048		1	O-RING	23.3X2.4mm		◆
33	389 269 1444	(389 269 0744)	1	VALVE INSERT			◆
		(389 269 0144)					
33	389 265 2074		1	VALVE INSERT			◆
34	389 993 4401		1	SPRING	11.5X41.9X1.0mm		◆
35	389 269 0826		1	SELECTOR VALVE			◆
36	389 269 0844		1	BALL			◆
37	013 997 0048		1	O-RING	19.2X3.0mm		◆
38	001481 004 001		1	CLAMPING SLEEVE			◆
39	655 260 0257		1	VALVE KIT			◆
39	655 260 0157		1	VALVE KIT	(PTO)		◆
40	389 265 0176	(389 265 0076)	1	WASHER			◆

NOTES :

[X1] : for gearbox numbered label no 714743 EPS

[3] to gearbox number of 201817

[4] from gearbox number of 201818

[7] to gearbox number of 380570

[8] from gearbox number of 380571

[9] to gearbox number of 070883

# GEARBOX GO210-8

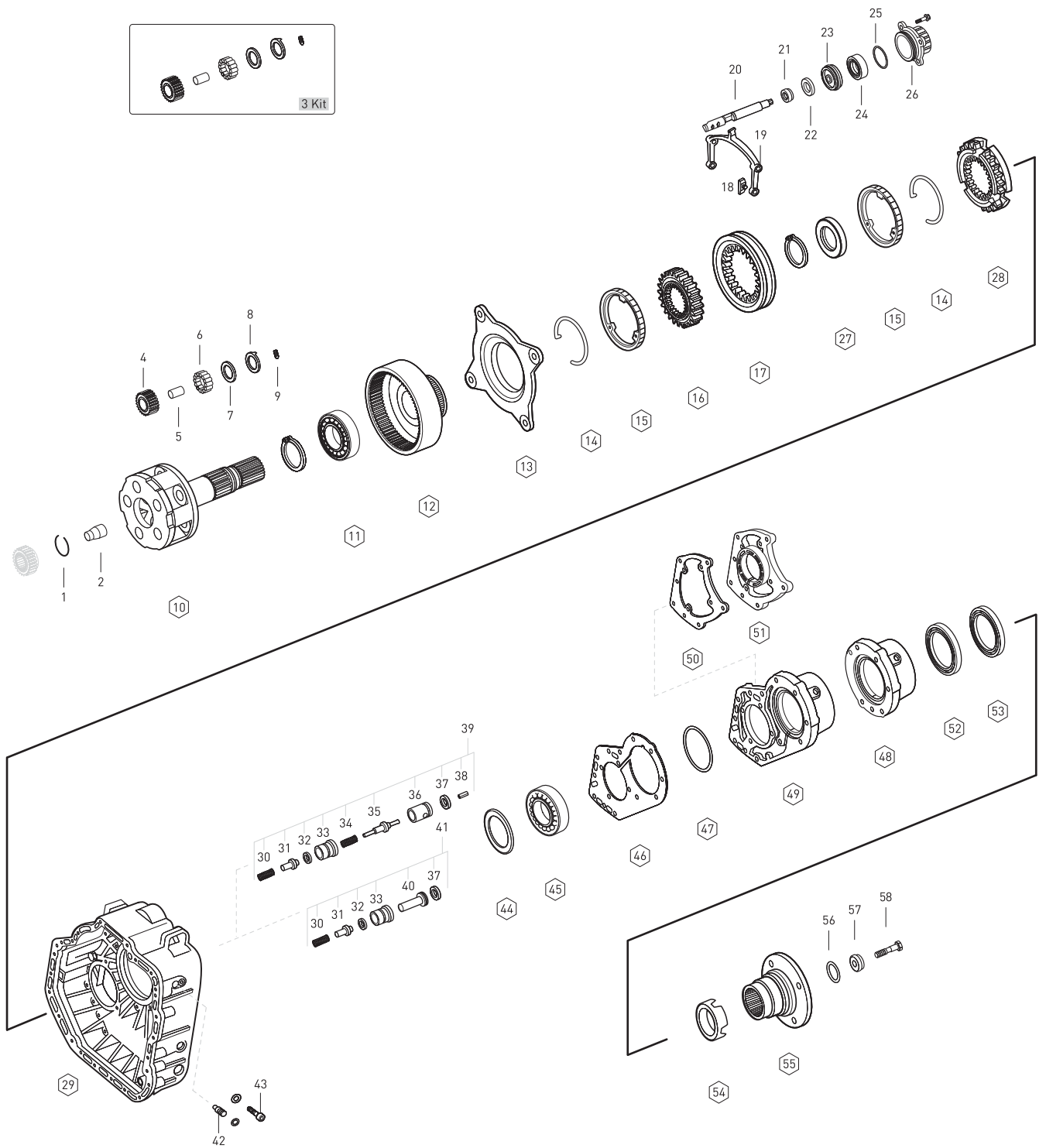


Fig.	Oem No	Oem Old No	Pcs	Description	Sizes	Notes	
41	655 260 0057		1	VALVE KIT			◆
42	389 265 0974		2	PIN			◆
42	945 265 1474	(945 265 1774)	2	PIN			◆
		(389 265 2874)					
43	007984 008 013		2	SCREW			◆
44	389 262 3954		1	THRUST WASHER	3.50mm	(10)	◆
44	389 262 5252		1	THRUST WASHER		(9)	◆
45	004 981 8925		1	ROLLER BEARING			◆
45	004 981 9325		1	ROLLER BEARING			◆
46	389 261 1180		1	GASKET			◆
47	389 262 7754		1	THRUST WASHER	1.40mm		◆
47	389 262 5152		1	THRUST WASHER	0.80mm		◆
47	389 262 5052		1	THRUST WASHER	0.40mm		◆
47	389 262 7654		1	THRUST WASHER	0.25mm		◆
47	389 262 4952		1	THRUST WASHER	0.20mm		◆
47	389 262 4852		1	THRUST WASHER	0.15mm		◆
47	389 262 4752		1	THRUST WASHER	0.10mm		◆
48	389 261 1920	(389 261 0520)	1	COVER		(12)	◆
		(389 261 0420)					
49	389 261 0320	(389 261 0220)	1	COVER		(11)	◆
50	945 261 0080	(389 261 1980)	1	GASKET	(PTO)	(12)	◆
		(389 261 1480)					
		(389 261 0780)					
50	389 261 1280		1	GASKET	(PTO)	(11)	◆
51	945 261 1033		1	COVER	(PTO)	(12)	◆
51	389 261 2433	(389 261 1033)	1	COVER	(PTO)		◆
		(389 261 2333)					
		(389 261 0933)					
51	389 261 0433	(389 261 0233)	1	COVER	(PTO)	(11)	◆
52	013 997 5547		1	OIL SEAL			◆
52	013 997 7247		1	OIL SEAL			◆
52	014 997 1947		1	OIL SEAL			◆
53	015 997 4247		1	OIL SEAL			◆
53	013 997 7347		1	OIL SEAL			◆
53	013 997 5647		1	OIL SEAL			◆
54	945 262 0528	(389 260 0150)	1	PULSE STAR			◆
55	389 262 0445		1	COMPANION FLANGE	4-H, Ø180mm		◆
56	014 997 5148		1	O-RING			◆
57	945 262 0062	(389 262 0362)	1	THRUST WASHER			◆
58	945 990 0019	(389 990 2019)	1	SCREW	Ø24X80mm		◆
		(389 990 0219)					

**NOTES :**

- [X1] : for gearbox numbered label no 714743 EPS
- [9] to gearbox number of 070883
- [10] from gearbox number of 070884
- [11] to gearbox number of 206784
- [12] from gearbox number of 206785

# GEARBOX GO210-8

SYNCHRONIZER KIT Const./3rd

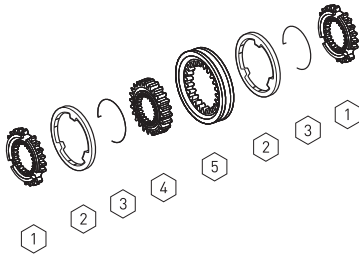


Fig.	o. Oem No	Oem Old No	Pcs	Description
	<b>2106205</b>		Kit	SYNCH.KIT Const./3rd
1	<b>389 262 5634</b>		2	ENGAGING RING
2	<b>389 262 0637</b>		2	SYNCHRONIZING CONE
3	<b>387 262 1093</b>		2	SPRING
4	<b>389 262 0635</b>		1	GUIDE SLEEVE
5	<b>389 262 3023</b>	<b>(389 262 2223)</b>	1	ENGAGING SLEEVE
		<b>(389 262 0623)</b>		

SYNCHRONIZER KIT 1st/2nd

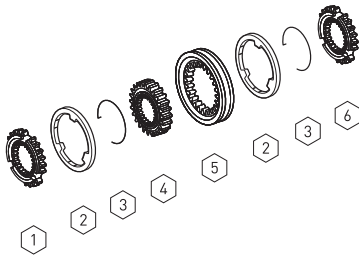


Fig.	o. Oem No	Oem Old No	Pcs	Description
	<b>2106206</b>		Kit	SYNCH.KIT 1st/2nd
1	<b>389 262 0534</b>		1	ENGAGING RING
2	<b>389 262 0737</b>		2	SYNCHRONIZING CONE
3	<b>387 262 0893</b>		2	SPRING
4	<b>389 262 0035</b>		1	GUIDE SLEEVE
5	<b>389 262 2923</b>	<b>(389 262 0723)</b>	1	ENGAGING SLEEVE
6	<b>945 262 0434</b>	<b>(389 262 0034)</b>	1	ENGAGING RING

SYNCHRONIZER KIT PLANETARY  
NEW MODEL

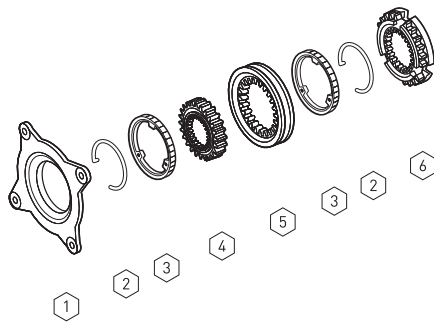


Fig.	o. Oem No	Oem Old No	Pcs	Description
	<b>2106195</b>		Kit	SYNCH.KIT PLANETARY
1	<b>389 260 2036</b>		1	FOLLOWER RING
2	<b>389 262 0293</b>		2	SPRING
3	<b>389 262 0537</b>		2	SYNCHRONIZING CONE
4	<b>389 262 4935</b>	<b>(389 262 2035)</b>	1	GUIDE SLEEVE
5	<b>945 262 6623</b>	<b>(945 262 2623)</b>	1	ENGAGING SLEEVE
		<b>(945 262 0823)</b>		
		<b>(389 262 3823)</b>		
		<b>(389 262 3623)</b>		
		<b>(389 262 1623)</b>		
6	<b>389 262 4034</b>		1	ENGAGING RING

SYNCHRONIZER KIT PLANETARY  
NEW MODEL

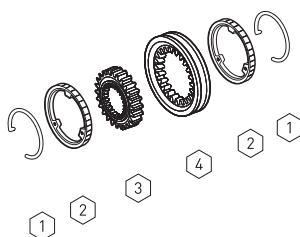


Fig.	o. Oem No	Oem Old No	Pcs	Description
	<b>2106194</b>		Kit	SYNCH.KIT PLANETARY
1	<b>389 262 0293</b>		2	SPRING
2	<b>389 262 0537</b>		2	SYNCHRONIZING CONE
3	<b>389 262 4935</b>	<b>(389 262 2035)</b>	1	GUIDE SLEEVE
4	<b>945 262 6623</b>	<b>(945 262 2623)</b>	1	ENGAGING SLEEVE
		<b>(945 262 0823)</b>		
		<b>(389 262 3823)</b>		
		<b>(389 262 3623)</b>		
		<b>(389 262 1623)</b>		

Fig.	o. Oem No	Oem Old No	Pcs	Description
	<b>2106197</b>		Kit	SYNCH.KIT PLANETARY
1	<b>389 260 0936</b>		1	FOLLOWER RING
2	<b>389 262 0293</b>		2	SPRING
3	<b>389 262 0537</b>		2	SYNCHRONIZING CONE
4	<b>389 262 0535</b>		1	GUIDE SLEEVE
5	<b>389 262 1523</b> ( <b>389 262 0123</b> )		1	ENGAGING SLEEVE
6	<b>389 262 2334</b> ( <b>389 262 1934</b> )		1	ENGAGING RING

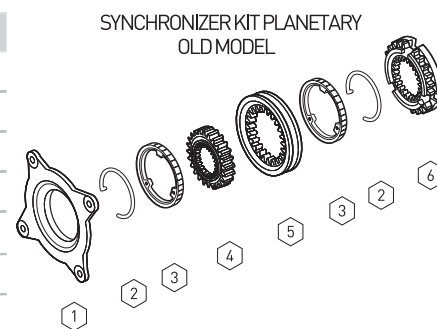
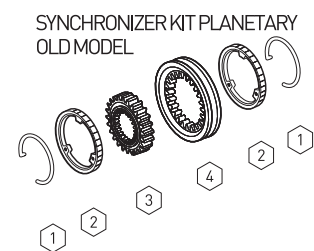


Fig.	o. Oem No	Oem Old No	Pcs	Description
	<b>2106196</b>		Kit	SYNCH.KIT PLANETARY
1	<b>389 262 0293</b>		2	SPRING
2	<b>389 262 0537</b>		2	SYNCHRONIZING CONE
3	<b>389 262 0535</b>		1	GUIDE SLEEVE
4	<b>389 262 1523</b> ( <b>389 262 0123</b> )		1	ENGAGING SLEEVE





GEARBOX GO170-190/6

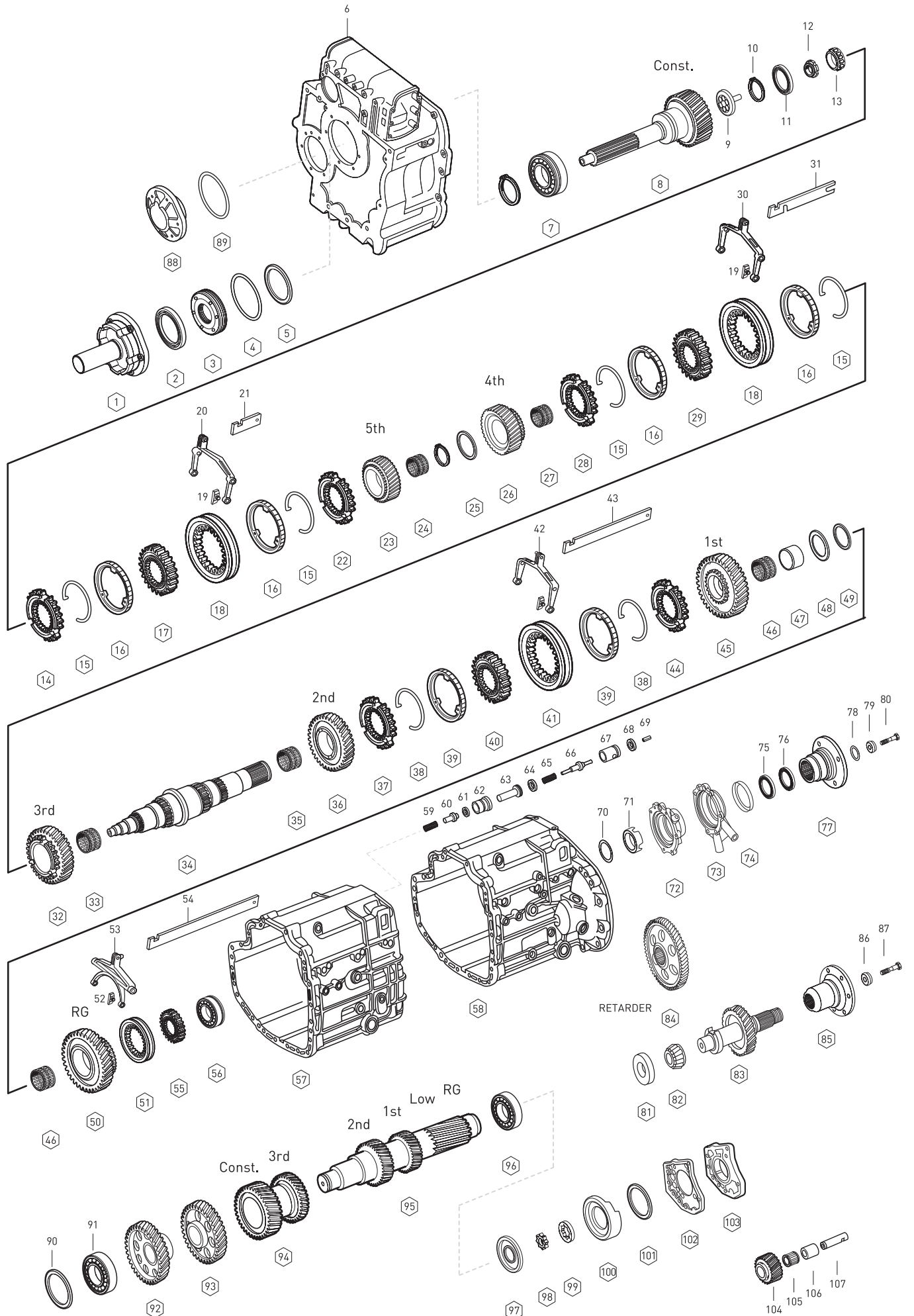


Fig.	o. Oem No	Oem Old No	Pcs	Description	Sizes	Notes	[X1]:G0170-6/8.2-1	[X2]:G0170-6/8.2-1	[X3]:G0170-6/8.2-1	[X4]:G0190-6/8.2-1	[X5]:G0190-6/8.2-1
1	656 261 0018		1	COVER			◆			◆	◆
1	389 261 6618		1	COVER			◆	◆	◆	◆	
1	389 261 6218		1	COVER			◆			◆	
2	023 997 7847	(019 997 0547)	1	OIL SEAL			◆	◆	◆	◆	◆
3	389 261 0665		1	OIL BAFFLE			◆	◆	◆	◆	◆
4	020 997 7848		1	O-RING	128.0X3.0mm		◆	◆	◆	◆	◆
5	389 262 3055		1	SHIM	0.25mm		◆	◆	◆	◆	◆
5	389 262 3255		1	SHIM	0.31mm		◆	◆	◆	◆	◆
5	389 262 3555		1	SHIM	0.40mm		◆	◆	◆	◆	◆
5	389 262 3855		1	SHIM	0.49mm		◆	◆	◆	◆	◆
5	389 262 4055		1	SHIM	0.55mm		◆	◆	◆	◆	◆
6	389 261 5301		1	HOUSING			◆			◆	
6	389 261 5201		1	HOUSING			◆			◆	
6	389 261 4601	(389 261 2301)	1	HOUSING			◆			◆	
6	389 261 4501	(389 261 2201)	1	HOUSING			◆			◆	
6	389 261 4701	(389 261 4001)	1	HOUSING						◆	
6	389 261 4401	(389 261 2101)	1	HOUSING			◆			◆	◆
6	389 261 1701		1	HOUSING			◆	◆	◆	◆	◆
6	389 261 4301	(389 261 2001)	1	HOUSING			◆			◆	
6	389 261 0301	(389 261 0201)	1	HOUSING			◆	◆	◆	◆	
		(389 261 3101)									
		(389 261 0101)									
7	014 981 9005	(011 981 1305)	1	ROLLER BEARING	75X140X36mm		◆	◆	◆	◆	◆
8	656 262 9202	(656 262 2002)	1	INPUT SHAFT			◆			◆	
		(656 262 1902)									
		(656 262 2202)									
		(656 262 2102)									
8	655 262 0802	(655 262 0902)	1	INPUT SHAFT						◆	◆
8	389 262 7902	(389 262 7802)	1	INPUT SHAFT						◆	◆
8	389 262 8102	(389 262 8002)	1	INPUT SHAFT						◆	◆
8	656 262 9902	(389 262 6802)	1	INPUT SHAFT						◆	
		(389 262 6902)									
8	655 262 0202	(655 262 0302)	1	INPUT SHAFT			◆				
8	655 262 0002	(655 262 0102)	1	INPUT SHAFT			◆				
8	655 262 0602	(655 262 0702)	1	INPUT SHAFT			◆				
8	656 262 9802	(389 262 7002)	1	INPUT SHAFT			◆	◆	◆	◆	
		(389 262 7102)									
8	389 262 9102	(389 262 9002)	1	INPUT SHAFT						◆	
8	389 262 7502	(389 262 7402)	1	INPUT SHAFT						◆	
8	389 262 7702	(389 262 7602)	1	INPUT SHAFT						◆	
8	389 262 8502	(389 262 8402)	1	INPUT SHAFT			◆				

NOTES :

[X1] : for gearbox numbered label no 714100  
[X2] : for gearbox numbered label no 714101  
[X3] : for gearbox numbered label no 714102  
[X4] : for gearbox numbered label no 714120  
[X5] : for gearbox numbered label no 714124

G0170-190/6

GEARBOX GO170-190/6

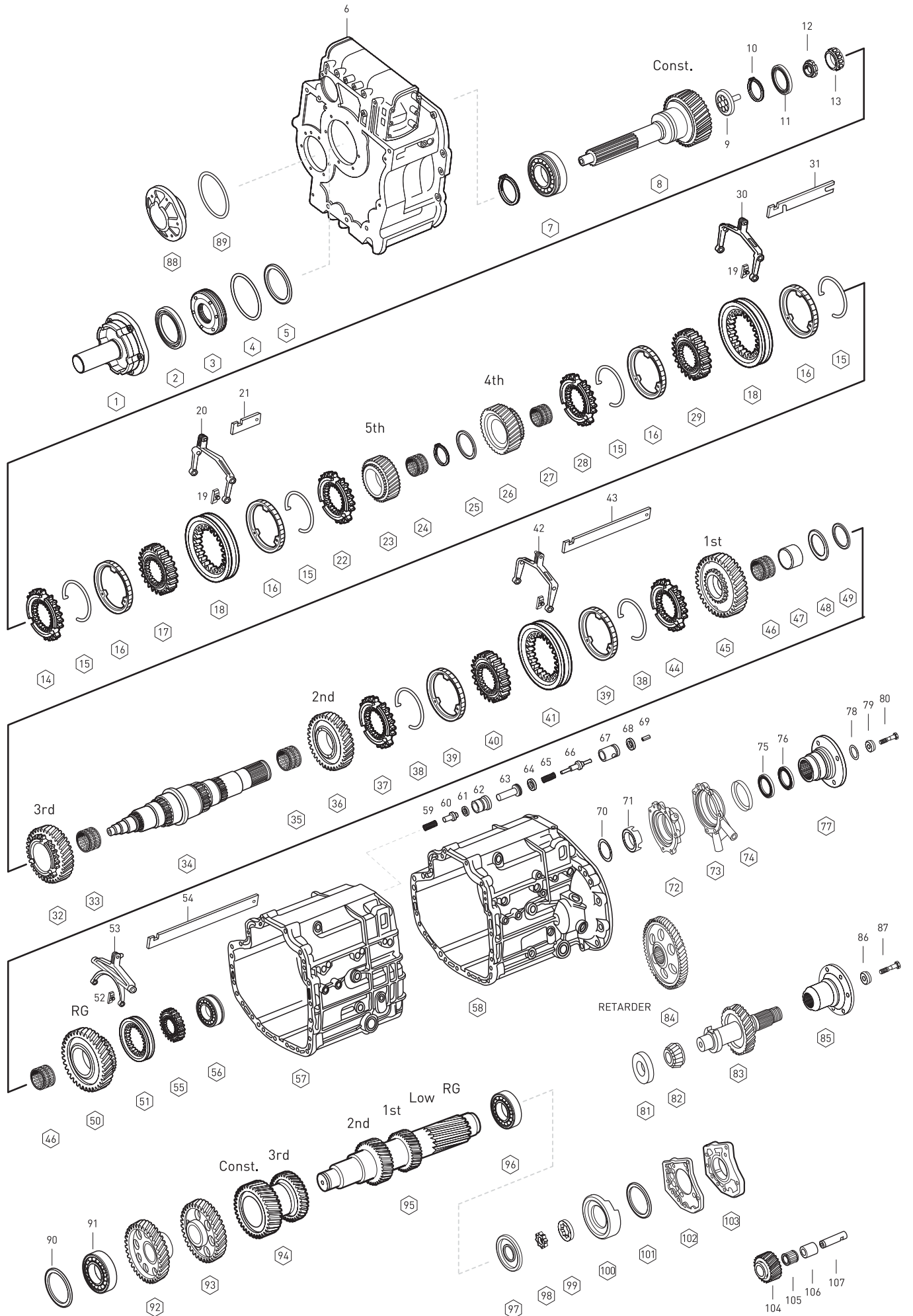


Fig.	o. Oem No	Oem Old No	Pcs	Description	Sizes	Notes	[X1]:G0170-6/8.2-1	[X2]:G0170-6/8.2-1	[X3]:G0170-6/8.2-1	[X4]:G0190-6/8.2-1	[X5]:G0190-6/8.2-1
8	389 262 8302	(389 262 8202)	1	INPUT SHAFT			◆				
8	389 262 8902	(389 262 8802)	1	INPUT SHAFT			◆				
8	656 262 8202	(389 262 5602)	1	INPUT SHAFT			◆			◆	
		(389 262 5702)									
8	656 262 8102	(389 262 5802)	1	INPUT SHAFT			◆			◆	
		(389 262 5902)									
9	976 269 0034		1	OIL PIPET			◆	◆	◆	◆	◆
10	000 994 9841		1	RETANING RING			◆	◆	◆	◆	◆
11	018 997 7347	(018 997 4997)	1	OIL SEAL			◆	◆	◆	◆	◆
		(017 997 9947)									
12	945 990 0250		1	NUT		(2)	◆	◆	◆	◆	◆
12	945 990 0150	(945 990 0050)	1	NUT		(1)	◆	◆	◆	◆	◆
13	015 981 1605	(013 981 1105)	1	ROLLER BEARING			◆	◆	◆	◆	◆
14	945 262 7234		1	ENGAGING RING		(4)	◆	◆	◆	◆	◆
14	389 262 9734		1	ENGAGING RING		(3)	◆	◆	◆	◆	◆
15	387 262 1093		4	SPRING			◆	◆	◆	◆	◆
16	945 260 2245	(947 260 0545)	4	SYNCHRONIZING CONE		(4)	◆	◆	◆	◆	◆
		(945 262 6337)									
16	945 260 0450		4	SYNCHRONIZING CONE	177.0mm	(3)	◆	◆	◆	◆	◆
16	389 262 0637		4	SYNCHRONIZING CONE	177.0mm	(3)	◆	◆	◆	◆	◆
17	389 262 5335		1	GUIDE SLEEVE			◆	◆	◆	◆	◆
18	945 262 5723		2	ENGAGING SLEEVE		(4)	◆	◆	◆	◆	◆
18	389 262 2023		2	ENGAGING SLEEVE		(3)	◆	◆	◆	◆	◆
19	947 265 0349	(389 265 2749)	6	U SLIDING PAD			◆	◆	◆	◆	◆
20	389 265 1802	(389 260 4130)	1	SHIFTING FORK			◆	◆	◆	◆	◆
21	389 265 9904	(389 265 7304)	1	SHIFTING ROD			◆	◆	◆	◆	◆
22	945 262 7134		1	ENGAGING RING		(4)	◆	◆	◆	◆	◆
22	389 262 9834		1	ENGAGING RING		(3)	◆	◆	◆	◆	◆
23	389 262 1715	(389 262 0915)	1	GEAR 5th			◆	◆	◆	◆	◆
		(389 262 1615)									
		(389 262 0815)									
		(389 262 1515)									
		(389 262 0415)									
24	019 981 6010	(019 981 5810)	1	NEEDLE CAGE			◆	◆	◆	◆	◆
25	389 262 1862		1	THRUST WASHER			◆	◆	◆	◆	◆
26	389 262 1114	(389 262 0914)	1	GEAR 4th			◆	◆	◆	◆	◆
		(389 262 0614)									
		(389 262 0814)									
		(389 262 0414)									
		(389 262 0214)									
27	009 981 1510	(017 981 7810)	1	NEEDLE CAGE			◆	◆	◆	◆	◆

NOTES :

- [X1] : for gearbox numbered label no 714100
- [X2] : for gearbox numbered label no 714101
- [X3] : for gearbox numbered label no 714102
- [X4] : for gearbox numbered label no 714120
- [X5] : for gearbox numbered label no 714124
- (1) to gearbox number of 000522
- (2) from gearbox number of 000523
- (3) to gearbox number of 018182
- (4) from gearbox number of 018183

G0170-190/6

GEARBOX GO170-190/6

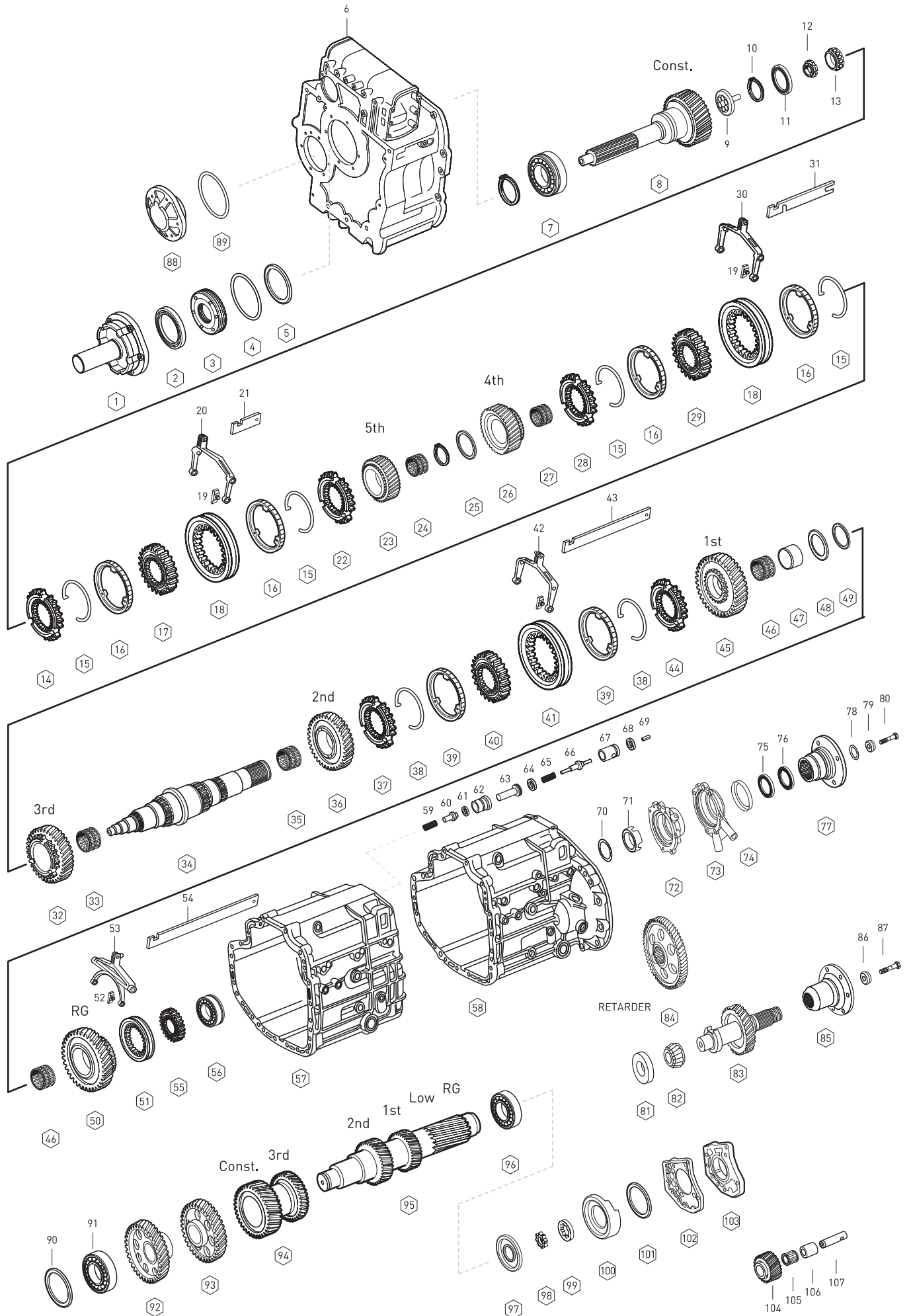


Fig	o. Oem No	Oem Old No	Pcs	Description	Sizes	Notes	[X1]:G0170-6/8.2-1	[X2]:G0170-6/8.2-1	[X3]:G0170-6/8.2-1	[X4]:G0190-6/8.2-1	[X5]:G0190-6/8.2-1
28	945 262 6134		1	ENGAGING RING		(4)	◆	◆	◆	◆	◆
28	945 262 5034	(389 262 9934)	1	ENGAGING RING		(3)	◆	◆	◆	◆	◆
		(389 262 5734)									
29	389 262 4435		1	GUIDE SLEEVE			◆	◆	◆	◆	◆
30	389 260 3930		1	SHIFTING FORK			◆	◆	◆	◆	◆
31	389 265 9704		1	SHIFTING ROD			◆	◆	◆	◆	◆
32	945 262 6417		1	GEAR 3rd		(4)	◆	◆	◆	◆	◆
32	656 262 4413	(656 262 0013)	1	GEAR 3rd		(3)	◆	◆	◆	◆	◆
		(389 262 4413)									
		(389 262 4313)									
		(389 262 3613)									
		(389 262 3513)									
33	019 981 3410		1	NEEDLE CAGE			◆	◆	◆	◆	◆
34	389 262 4605	(389 262 4505)	1	MAIN SHAFT		(2)	◆	◆	◆	◆	◆
34	389 262 4005	(389 262 3205)	1	MAIN SHAFT		(1)	◆	◆	◆	◆	◆
35	018 981 0410		1	NEEDLE CAGE			◆	◆	◆	◆	◆
36	976 262 1612	(976 262 1512)	1	GEAR 2nd			◆	◆	◆	◆	◆
		(976 262 1412)									
		(389 262 2712)									
		(976 262 1312)									
		(976 262 0612)									
		(976 262 1212)									
		(976 262 0312)									
37	945 262 6034		1	ENGAGING RING		(4)	◆	◆	◆	◆	◆
37	945 262 4934	(389 262 8334)	1	ENGAGING RING		(3)	◆	◆	◆	◆	◆
38	387 262 0893		2	SPRING			◆	◆	◆	◆	◆
39	947 260 1945	(946 262 6137)	2	SYNCHRONIZING CONE		(4)	◆	◆	◆	◆	◆
		(947 260 0745)									
39	945 260 0650		2	SYNCHRONIZING CONE		(3)	◆	◆	◆	◆	◆
39	389 262 0737		2	SYNCHRONIZING CONE		(3)	◆	◆	◆	◆	◆
40	389 262 5635	(389 262 3335)	1	GUIDE SLEEVE			◆	◆	◆	◆	◆
41	945 262 5623		1	ENGAGING SLEEVE		(4)	◆	◆	◆	◆	◆
41	389 262 2123		1	ENGAGING SLEEVE		(3)	◆	◆	◆	◆	◆
42	387 260 4730	(389 260 2330)	1	SHIFTING FORK			◆	◆	◆	◆	◆
43	389 265 9804		1	SHIFTING ROD			◆	◆	◆	◆	◆
44	945 262 5934		1	ENGAGING RING		(4)	◆	◆	◆	◆	◆
44	945 262 4834	(389 262 8234)	1	ENGAGING RING		(3)	◆	◆	◆	◆	◆
45	389 262 3411	(389 262 3011)	1	GEAR 1st			◆	◆	◆	◆	◆
		(389 262 3311)									
		(389 262 2511)									
46	021 981 9410	(019 981 6210)	2	NEEDLE CAGE			◆	◆	◆	◆	◆

NOTES :

- [X1] : for gearbox numbered label no 714100
- [X2] : for gearbox numbered label no 714101
- [X3] : for gearbox numbered label no 714102
- [X4] : for gearbox numbered label no 714120
- [X5] : for gearbox numbered label no 714124
- (1) to gearbox number of 000522
- (2) from gearbox number of 000523
- (3) to gearbox number of 018182
- (4) from gearbox number of 018183

G0170-190/6

GEARBOX GO170-190/6

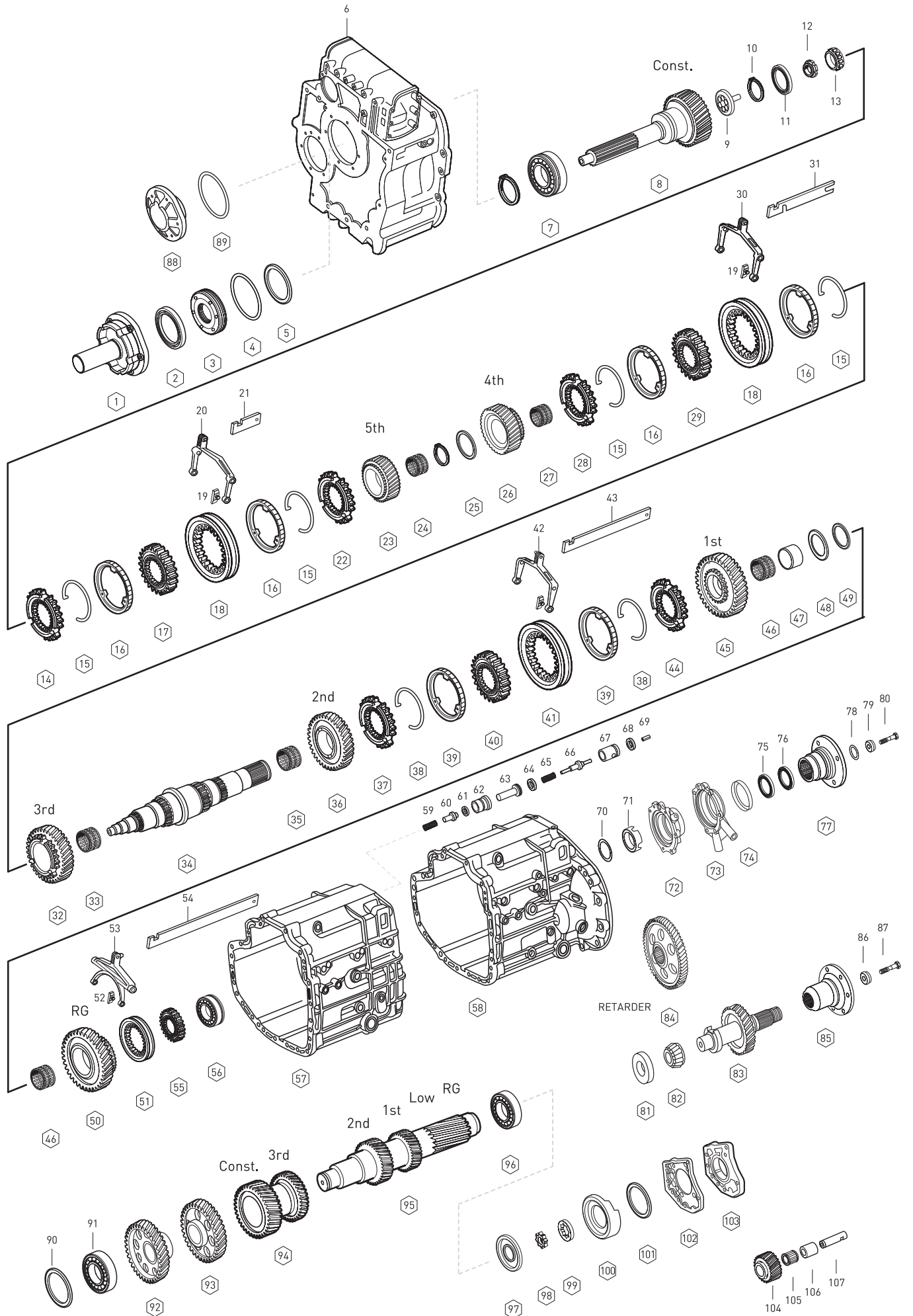


Fig.	Oem No	Oem Old No	Pcs	Description	Sizes	Notes	[X1]:G0170-6/8.2-1	[X2]:G0170-6/8.2-1	[X3]:G0170-6/8.2-1	[X4]:G0190-6/8.2-1	[X5]:G0190-6/8.2-1
46	021 981 9410	(019 981 0610)	2	NEEDLE CAGE			◆	◆	◆	◆	◆
		(008 981 9810)									
		(008 981 8510)									
47	389 262 2450	(389 262 2250)	1	BEARING RACE			◆	◆	◆	◆	◆
48	389 262 2855		1	THRUST WASHER			◆	◆	◆	◆	◆
49	389 262 8852		1	THRUST WASHER			◆	◆	◆		
50	389 262 2733	(389 262 2233)	1	REVERSE GEAR			◆	◆	◆	◆	◆
51	389 262 1823	(389 262 0923)	1	ENGAGING SLEEVE		[7]	◆			◆	◆
51	389 262 1723	(389 262 0023)	1	ENGAGING SLEEVE		[8]	◆	◆	◆	◆	◆
52	947 265 0249	(945 265 0149)	2	SLIDING PAD			◆	◆	◆	◆	◆
53	656 260 0230	(389 260 2630)	1	SHIFTING FORK			◆	◆	◆	◆	◆
		(389 260 0330)									
54	656 265 0104	(389 265 8104)	1	SHIFTING ROD			◆	◆	◆	◆	◆
		(389 260 2831)									
55	389 262 4235		1	GUIDE SLEEVE		[7]	◆			◆	◆
55	389 262 4135		1	GUIDE SLEEVE		[8]	◆	◆	◆	◆	◆
56	012 981 3705	(018 981 6705)	1	ROLLER BEARING			◆	◆	◆	◆	◆
57	629 261 0403	(389 261 2529)	1	HOUSING			◆	◆	◆	◆	◆
		(389 261 1729)									
		(389 261 1229)									
		(389 261 9226)									
58	389 261 0729	(389 261 8226)	1	HOUSING			◆	◆		◆	◆
		(389 261 8026)									
		(389 261 7526)									
		(389 261 7326)									
		(389 261 5526)									
		(389 261 7426)									
58	389 261 0629	(389 261 8126)	1	HOUSING			◆	◆		◆	◆
		(389 261 7926)									
59	389 993 5301		1	SPRING			◆	◆	◆	◆	◆
60	389 269 1026	(389 269 0926)	1	SELECTOR VALVE			◆	◆	◆	◆	◆
61	013 997 0148		1	O-RING	13.3X2.4mm		◆	◆	◆	◆	◆
62	389 269 1444	(389 269 0744)	1	VALVE INSERT			◆	◆	◆	◆	◆
		(389 269 0144)									
63	389 265 0176	(389 265 0076)	1	WASHER			◆	◆	◆	◆	◆
64	013 997 0048		1	O-RING	19.2X3.0mm		◆	◆	◆	◆	◆
65	389 993 4401		1	SPRING	11.5X41.9X1.0mm		◆	◆	◆	◆	◆
66	389 269 0826		1	SELECTOR VALVE			◆	◆	◆	◆	◆
67	389 269 0844		1	BALL			◆	◆	◆	◆	◆
68	013 997 0048		1	O-RING	19.2X3.0mm		◆	◆	◆	◆	◆
69	001481 004 049		1	CLAMPING SLEEVE			◆	◆	◆	◆	◆

NOTES :

- [X1] : for gearbox numbered label no 714100
- [X2] : for gearbox numbered label no 714101
- [X3] : for gearbox numbered label no 714102
- [X4] : for gearbox numbered label no 714120
- [X5] : for gearbox numbered label no 714124
- [7] used in conjunction with the encoded parts
- [8] used in conjunction with the encoded parts

G0170-190/6



GEARBOX GO170-190/6

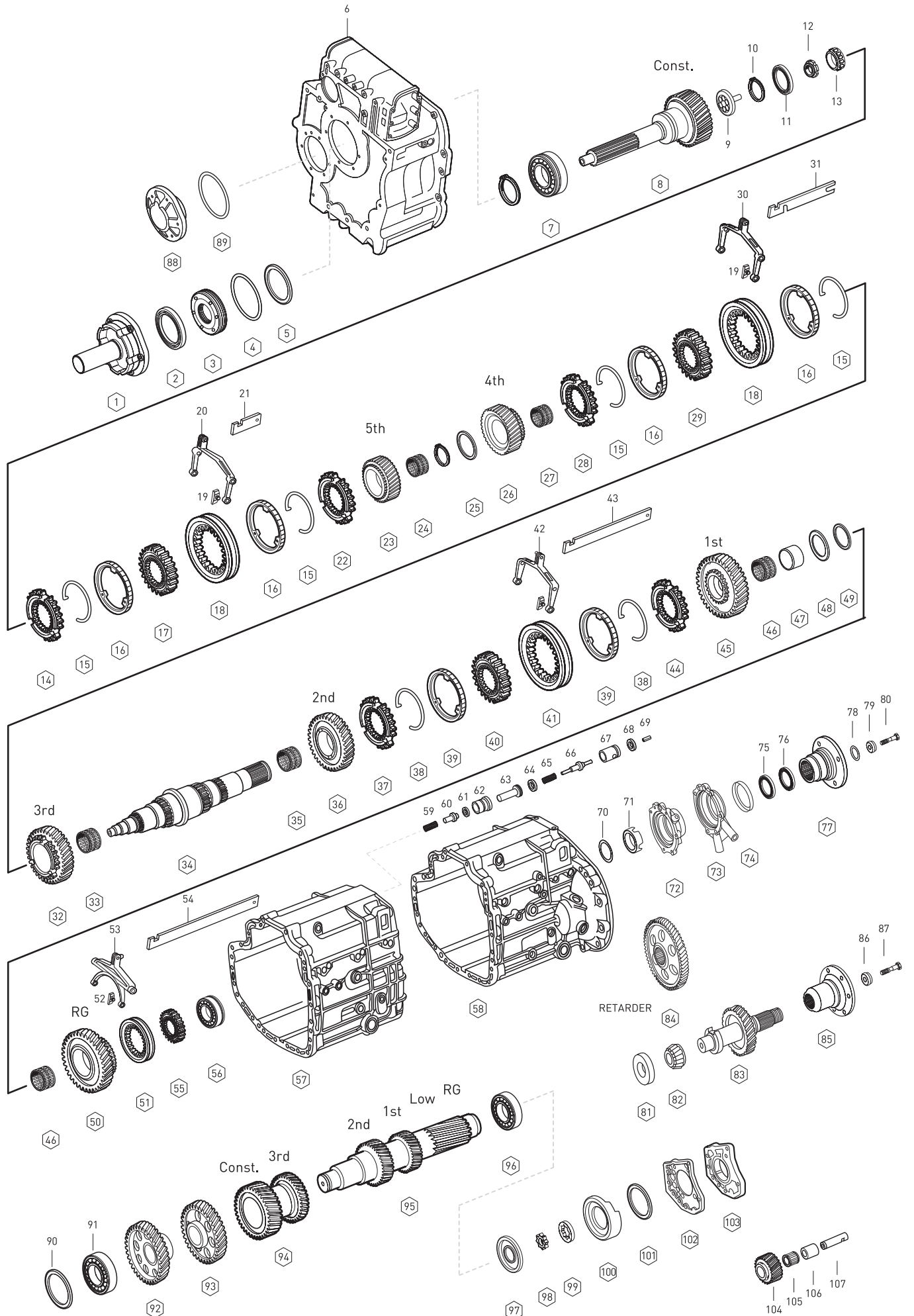


Fig.	o. Oem No	Oem Old No	Pcs	Description	Sizes	Notes	[X1]:G0170-6/8.2-1	[X2]:G0170-6/8.2-1	[X3]:G0170-6/8.2-1	[X4]:G0190-6/8.2-1	[X5]:G0190-6/8.2-1
70	389 262 8354		1	THRUST WASHER			◆			◆	◆
71	656 262 0028		1	PULSE STAR	ELECTRONIC		◆			◆	◆
72	389 261 1520	(389 261 1420)	1	COVER			◆	◆		◆	◆
73	656 261 0120	(656 261 0020)	1	COVER			◆			◆	
74	656 261 0165	(656 261 0065)	1	OIL BAFFLE			◆			◆	
75	020 997 9947	(017 997 2547)	1	OIL SEAL			◆	◆	◆	◆	◆
		(008 997 0347)									
		(007 997 9847)									
76	023 997 1647	(014 997 2047)	1	OIL SEAL			◆			◆	◆
		(013 997 5647)									
76	023 997 8847	(023 997 8547)	1	OIL SEAL			◆	◆	◆	◆	◆
		(020 997 6447)									
76	012 997 4447	(017 997 7947)	1	OIL SEAL	10.0mm		◆	◆	◆	◆	◆
		(008 997 0047)									
77	656 262 0145		1	COMPANION FLANGE	4-H, Ø180mm					◆	
77	629 262 0045		1	COMPANION FLANGE	4-H, Ø150mm					◆	
77	629 262 0245		1	COMPANION FLANGE	4-H, Ø150mm					◆	
77	629 262 0145		1	COMPANION FLANGE	4-H, Ø180mm		◆		◆	◆	◆
77	656 262 0045		1	COMPANION FLANGE	4-H, Ø150mm		◆			◆	
78	027 997 3048		1	O-RING			◆	◆	◆	◆	◆
79	976 262 0362	(976 262 0162)	1	THRUST WASHER			◆	◆	◆	◆	◆
80	000000 000 963		1	SCREW	M20X80mm		◆	◆	◆	◆	◆
81	000 438 0112		1	GUIDE	14,0X4,0mm		◆		◆	◆	◆
82	002 981 6581		1	ROLLER BEARING	RETARDER		◆		◆	◆	◆
83	629 430 0246	(629 430 0146)	1	INTERMEDIATE SHAFT	RETARDER		◆		◆	◆	◆
83	629 430 0046		1	INTERMEDIATE SHAFT	RETARDER		◆		◆		
84	629 264 0020		1	ENGAGING RING	RETARDER		◆		◆	◆	◆
85	656 437 0045		1	COMPANION FLANGE	RETARDER		◆		◆	◆	
86	020 997 0648		1	THRUST WASHER			◆		◆	◆	
87	656 990 0000		1	SCREW			◆		◆	◆	
88	976 261 1633	(976 261 1733)	1	COVER		(6)	◆	◆	◆	◆	◆
		(976 261 1833)									
88	389 261 1933		1	COVER		(5)	◆	◆	◆	◆	◆
89	028 997 2348	(004 997 2248)	1	O-RING	103,0X3,0mm	(6)	◆	◆	◆	◆	◆
89	022 997 4048		1	O-RING	103,0X2,0mm	(5)	◆			◆	◆
90	389 263 5352		1	SHIM	0.40mm		◆	◆	◆	◆	◆
90	389 263 5852		1	SHIM	0.55mm		◆	◆	◆	◆	◆
90	389 263 6352		1	SHIM	0.70mm		◆	◆	◆	◆	◆
90	389 263 6852		1	SHIM	0.85mm		◆	◆	◆	◆	◆
90	389 263 7352		1	SHIM	1.00mm		◆	◆	◆	◆	◆
90	389 263 7852		1	SHIM	1.15mm		◆	◆	◆	◆	◆

NOTES :

[X1] : for gearbox numbered label no 714100

[X2] : for gearbox numbered label no 714101

[X3] : for gearbox numbered label no 714102

[X4] : for gearbox numbered label no 714120

[X5] : for gearbox numbered label no 714124

(5) to gearbox number of 078499

(6) from gearbox number of 078500

G0170-190/6

GEARBOX GO170-190/6

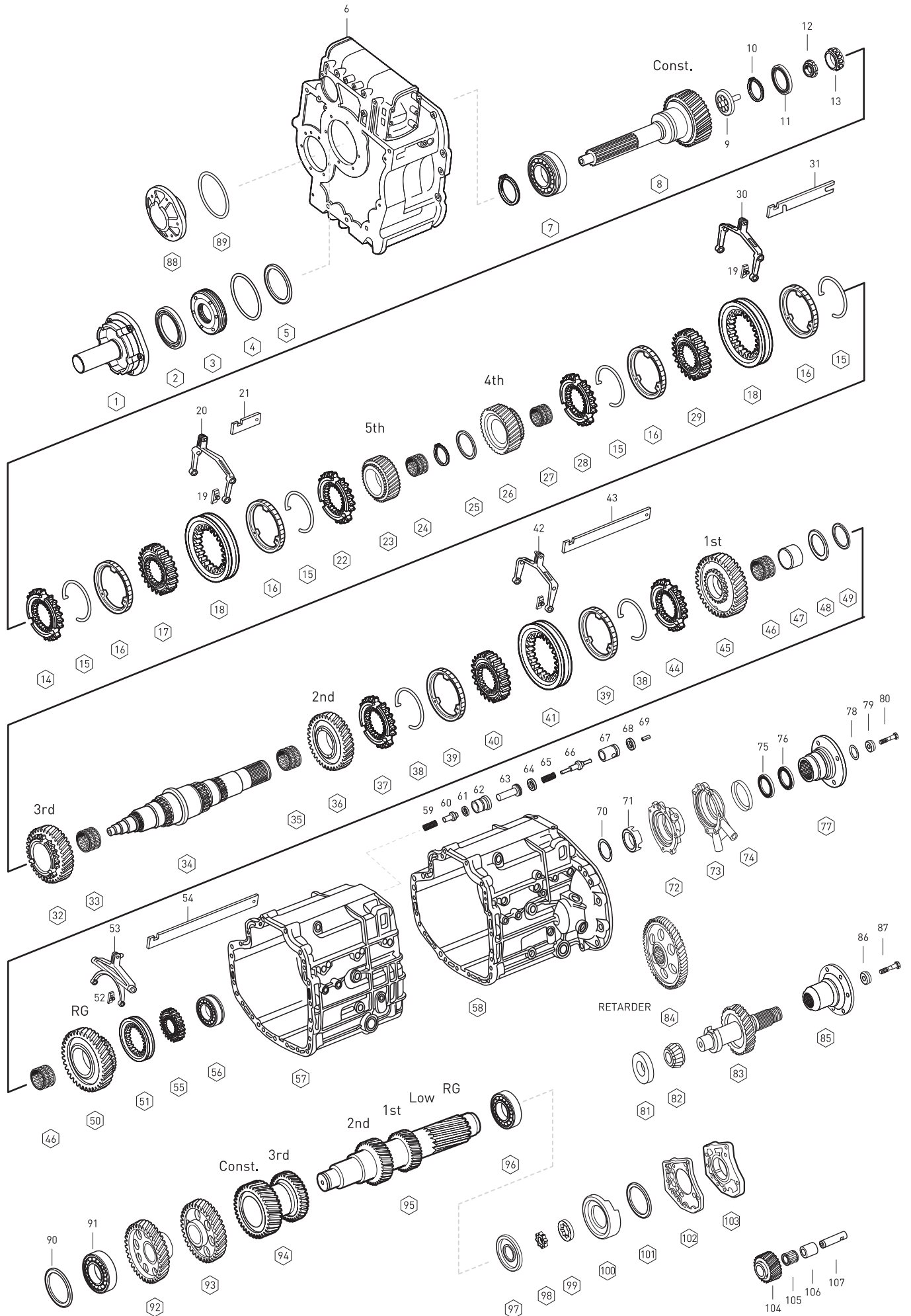


Fig.	Oem No	Oem Old No	Pcs	Description	Sizes	Notes	[X1]:G0170-6/8.2-1	[X2]:G0170-6/8.2-1	[X3]:G0170-6/8.2-1	[X4]:G0190-6/8.2-1	[X5]:G0190-6/8.2-1
90	389 263 8352		1	SHIM	1.30mm		◆	◆	◆	◆	◆
91	014 981 1405	(013 981 0605)	1	ROLLER BEARING	51X100X37.5mm		◆	◆	◆	◆	◆
92	389 263 2910	(389 263 2510)	1	CONSTANT GEAR			◆	◆	◆	◆	◆
		(389 263 2110)									
93	389 263 0915	(389 263 0815)	1	GEAR 5th			◆	◆	◆	◆	◆
		(389 263 0415)									
94	656 263 0013	(389 263 2713)	1	DOUBLE GEAR 3rd/4th			◆	◆	◆	◆	◆
		(389 263 2813)									
		(389 263 3013)									
95	389 263 2702	(389 263 2102)	1	COUNTER SHAFT			◆	◆	◆	◆	◆
96	015 981 4105	(012 981 3605)	1	ROLLER BEARING			◆	◆	◆	◆	◆
97	389 269 2001	(389 269 1901)	1	OIL PUMP COVER			◆	◆	◆	◆	◆
98	389 269 1606		1	OIL PUMP GEAR			◆	◆	◆	◆	◆
99	389 269 0706		1	ROTOR			◆	◆	◆	◆	◆
100	389 269 2201	(389 269 2101)	1	OIL PUMP HOUSING			◆	◆	◆	◆	◆
101	389 263 1352		1	SHIM	0.10mm		◆	◆	◆	◆	◆
101	389 263 1452		1	SHIM	0.15mm		◆	◆	◆	◆	◆
101	389 263 1552		1	SHIM	0.25mm		◆	◆	◆	◆	◆
101	389 263 1652		1	SHIM	0.30mm		◆	◆	◆	◆	◆
101	389 263 1752		1	SHIM	0.50mm		◆	◆	◆	◆	◆
102	389 261 1580		1	GASKET			◆	◆		◆	◆
102	945 261 0080		1	GASKET			◆	◆		◆	◆
103	656 261 0133	(389 261 2533)	1	COVER			◆	◆		◆	◆
		(389 261 1233)									
		(389 261 1333)									
104	389 263 1931		1	REV.IDLER GEAR			◆	◆	◆	◆	◆
104	389 263 1831		1	REV.IDLER GEAR			◆	◆		◆	◆
105	019 981 0510	(015 981 4110)	1	NEEDLE CAGE			◆	◆	◆	◆	◆
106	389 263 0650		1	BUSHING			◆	◆	◆	◆	◆
106	389 263 1150		1	BUSHING			◆	◆		◆	◆
107	976 263 0330		1	PIN			◆	◆	◆	◆	◆
107	389 263 0730		1	PIN			◆	◆	◆	◆	◆

G0170-190/6

**NOTES :**

- [X1] : for gearbox numbered label no 714100
- [X2] : for gearbox numbered label no 714101
- [X3] : for gearbox numbered label no 714102
- [X4] : for gearbox numbered label no 714120
- [X5] : for gearbox numbered label no 714124

SYNCHRONIZER KIT Const./5th  
NEW MODEL

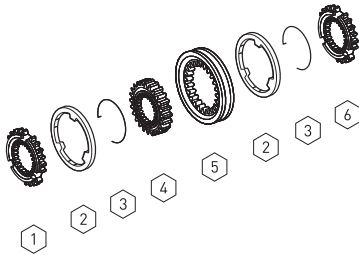


Fig.	. Oem No	Oem Old No	Pcs	Description
	<b>2106226</b>		Kit	SYNCH.KIT Const./5th
1	<b>945 262 7234</b>		1	ENGAGING RING
2	<b>945 260 2245</b>	<b>(947 260 0545)</b>	2	SYNCHRONIZING CONE
3	<b>387 262 1093</b>		2	SPRING
4	<b>389 262 5335</b>		1	GUIDE SLEEVE
5	<b>945 262 5723</b>		1	ENGAGING SLEEVE
6	<b>945 262 7134</b>		1	ENGAGING RING

SYNCHRONIZER KIT Const./5th  
OLD MODEL

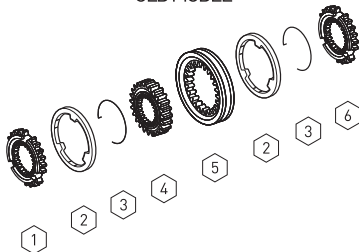


Fig.	. Oem No	Oem Old No	Pcs	Description
	<b>2106227</b>		Kit	SYNCH.KIT Const./5th
1	<b>389 262 9734</b>		1	ENGAGING RING
2	<b>389 262 0637</b>		2	SYNCHRONIZING CONE
3	<b>387 262 1093</b>		2	SPRING
4	<b>389 262 5335</b>		1	GUIDE SLEEVE
5	<b>389 262 2023</b>		1	ENGAGING SLEEVE
6	<b>389 262 9834</b>		1	ENGAGING RING

SYNCHRONIZER KIT 3rd/4th  
NEW MODEL

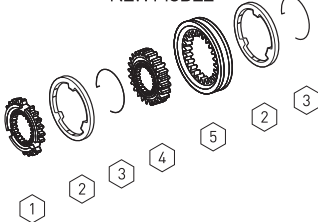


Fig.	. Oem No	Oem Old No	Pcs	Description
	<b>2106228</b>		Kit	SYNCH.KIT 3rd/4th
1	<b>945 262 6134</b>		1	ENGAGING RING
2	<b>945 260 2245</b>	<b>(947 260 0545)</b>	2	SYNCHRONIZING CONE
3	<b>387 262 1093</b>		2	SPRING
4	<b>389 262 4435</b>		1	GUIDE SLEEVE
5	<b>945 262 5723</b>		1	ENGAGING SLEEVE

SYNCHRONIZER KIT 3rd/4th  
OLD MODEL

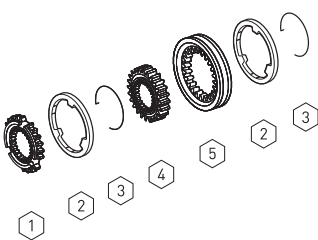


Fig.	. Oem No	Oem Old No	Pcs	Description
	<b>2106229</b>		Kit	SYNCH.KIT 3rd/4th
1	<b>945 262 5034</b>	<b>(389 262 9934)</b>	1	ENGAGING RING
		<b>(389 262 5734)</b>		
2	<b>389 262 0637</b>		2	SYNCHRONIZING CONE
3	<b>387 262 1093</b>		2	SPRING
4	<b>389 262 4435</b>		1	GUIDE SLEEVE
5	<b>389 262 2023</b>		1	ENGAGING SLEEVE

Fig.	o. Oem No	Oem Old No	Pcs	Description
	<b>2106230</b>		Kit	SYNCH.KIT 1st/2nd
1	<b>945 262 6034</b>		1	ENGAGING RING
2	<b>947 260 1945</b>	<b>(946 262 6137)</b> <b>(947 260 0745)</b>	2	SYNCHRONIZING CONE
3	<b>387 262 0893</b>		2	SPRING
4	<b>389 262 5635</b>	<b>(389 262 3335)</b>	1	GUIDE SLEEVE
5	<b>945 262 5623</b>		1	ENGAGING SLEEVE
6	<b>945 262 5934</b>		1	ENGAGING RING

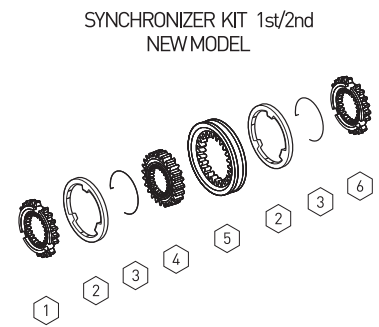
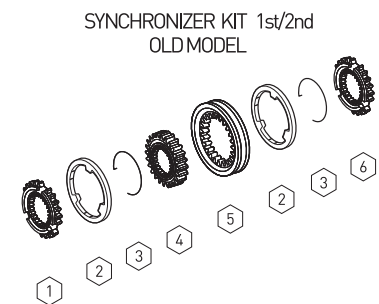


Fig.	o. Oem No	Oem Old No	Pcs	Description
	<b>2106231</b>		Kit	SYNCH.KIT 1st/2nd
1	<b>945 262 4934</b>	<b>(389 262 8334)</b>	2	ENGAGING RING
2	<b>389 262 0737</b>		2	SYNCHRONIZING CONE
3	<b>387 262 0893</b>		2	SPRING
4	<b>389 262 5635</b>	<b>(389 262 3335)</b>	1	GUIDE SLEEVE
5	<b>389 262 2123</b>		1	ENGAGING SLEEVE
6	<b>945 262 4834</b>	<b>(389 262 8234)</b>	1	ENGAGING RING



GEARBOX GO210-230/6

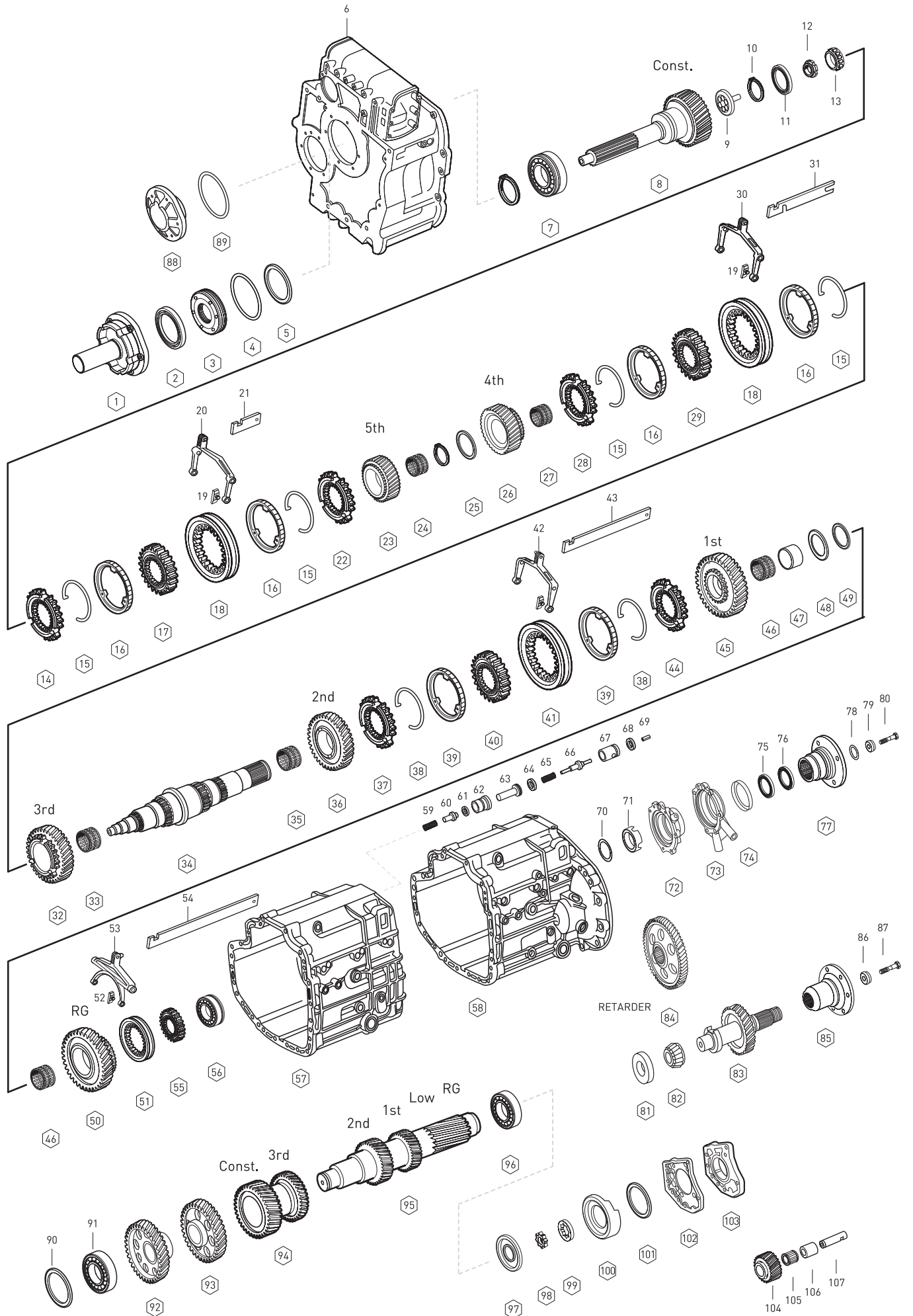


Fig.	Oem No	Oem Old No	Pcs	Description	Sizes	Notes	[X1]:G0210-6/6.5-0.8	[X2]:G0210-6/6.5-0.8	[X3]:G0210-6/6.5-0.8	[X4]:G0210-6/6.5-0.8	[X5]:G0230-6/6.5-0.8	
1	656 261 0018		1	COVER			◆				◆	◆
1	389 261 6618		1	COVER			◆	◆	◆			◆
1	389 261 6218		1	COVER			◆					◆
2	023 997 7847	(019 997 0547)	1	OIL SEAL			◆	◆	◆	◆	◆	◆
3	389 261 0665		1	OIL BAFFLE			◆	◆	◆	◆	◆	◆
4	020 997 7848		1	O-RING	128.0X3.0mm		◆	◆	◆	◆	◆	◆
5	389 262 3055		1	SHIM	0.25mm		◆	◆	◆	◆	◆	◆
5	389 262 3255		1	SHIM	0.31mm		◆	◆	◆	◆	◆	◆
5	389 262 3555		1	SHIM	0.40mm		◆	◆	◆	◆	◆	◆
5	389 262 3855		1	SHIM	0.49mm		◆	◆	◆	◆	◆	◆
5	389 262 4055		1	SHIM	0.55mm		◆	◆	◆	◆	◆	◆
6	389 261 5301		1	HOUSING			◆					◆
6	389 261 5201		1	HOUSING			◆					◆
6	389 261 5101		1	HOUSING			◆					◆
6	389 261 4601	(389 261 2301)	1	HOUSING			◆					◆
6	389 261 1301		1	HOUSING			◆				◆	◆
6	389 261 4501	(389 261 2201)	1	HOUSING			◆					◆
6	389 261 4701	(389 261 4001)	1	HOUSING			◆					◆
6	389 261 4401	(389 261 2101)	1	HOUSING			◆				◆	◆
6	389 261 1701		1	HOUSING			◆	◆	◆			◆
6	389 261 4301	(389 261 2001)	1	HOUSING			◆					◆
6	389 261 0601	(389 261 0501)	1	HOUSING			◆	◆	◆			◆
		(389 261 3201)										
		(389 261 0401)										
6	389 261 0301	(389 261 0201)	1	HOUSING			◆					◆
		(389 261 3101)										
		(389 261 0101)										
7	014 981 9005	(011 981 1305)	1	ROLLER BEARING	75X140X36mm		◆	◆	◆	◆	◆	◆
8	389 262 0182		1	INPUT SHAFT			◆					◆
8	655 262 1302	(655 262 1202)	1	INPUT SHAFT			◆					
8	655 262 1102	(655 262 1002)	1	INPUT SHAFT			◆					
8	655 262 1702	(655 262 1602)	1	INPUT SHAFT			◆					
8	656 262 6302	(389 262 6302)	1	INPUT SHAFT			◆					◆
		(389 262 6402)										
8	656 262 6102	(389 262 6502)	1	INPUT SHAFT			◆	◆	◆	◆	◆	◆
		(389 262 6602)										
8	389 262 9702	(389 262 9602)	1	INPUT SHAFT			◆					
8	389 262 9502	(389 262 9402)	1	INPUT SHAFT			◆					
8	389 262 9302	(389 262 9202)	1	INPUT SHAFT			◆					
8	656 262 4702	(389 262 5002)	1	INPUT SHAFT			◆					◆
		(389 262 5102)										

NOTES :

[X1] : for gearbox numbered label no 714140  
[X2] : for gearbox numbered label no 714141  
[X3] : for gearbox numbered label no 714142  
[X4] : for gearbox numbered label no 714144  
[X5] : for gearbox numbered label no 714160

G0210-230/6



GEARBOX GO210-230/6

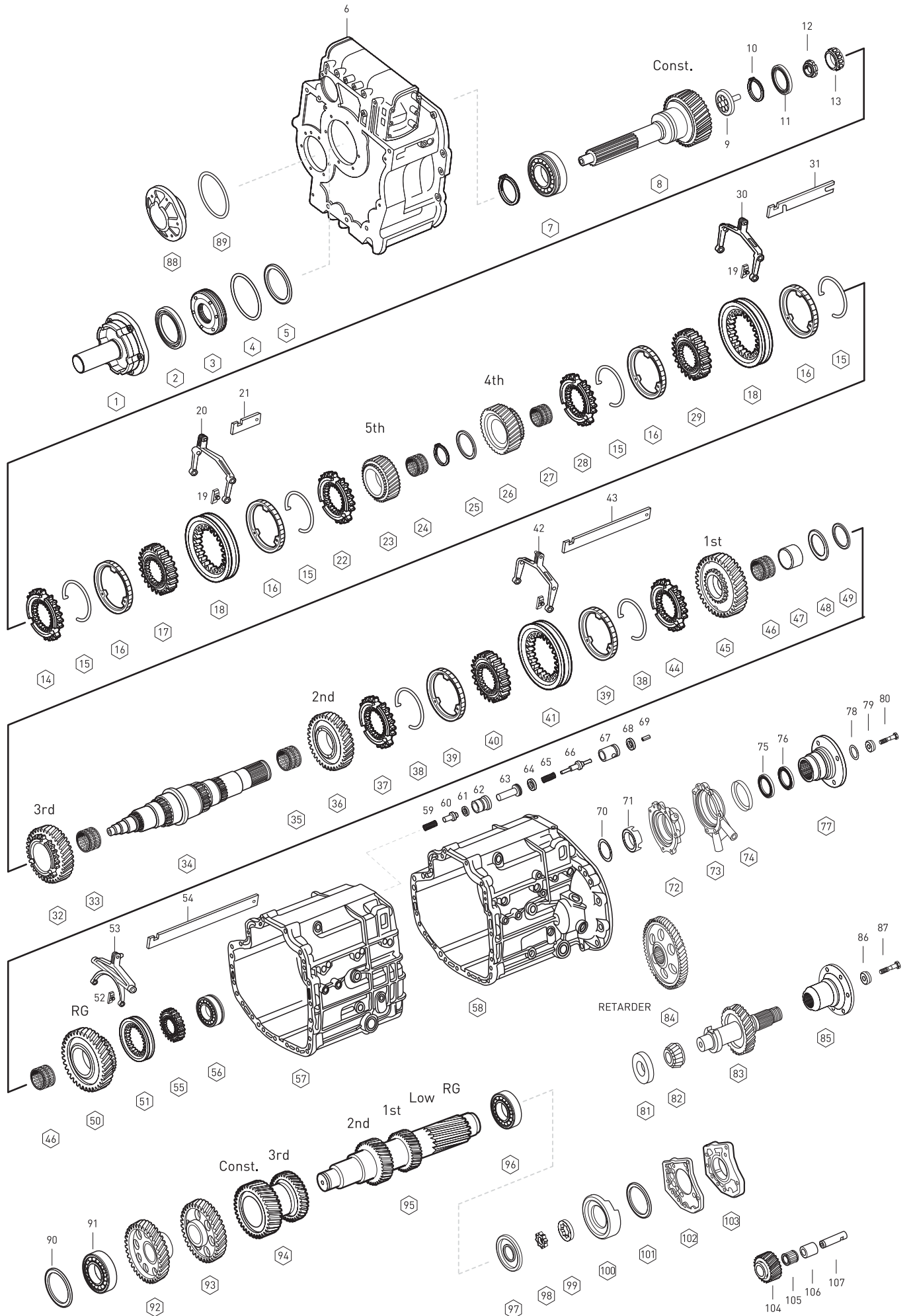


Fig.	Oem No	Oem Old No	Pcs	Description	Sizes	Notes	[X1]:G0210-6/6.5-0.8	[X2]:G0210-6/6.5-0.8	[X3]:G0210-6/6.5-0.8	[X4]:G0210-6/6.5-0.8	[X5]:G0230-6/6.5-0.8
8	656 262 4502	(389 262 6002)	1	INPUT SHAFT			◆				◆
		(389 262 6102)									
9	976 269 0034		1	OIL PIPET			◆	◆	◆	◆	◆
10	000 994 9841		1	RETANING RING			◆	◆	◆	◆	◆
11	018 997 7347	(018 997 4997)	1	OIL SEAL			◆	◆	◆	◆	◆
		(017 997 9947)									
12	945 990 0250		1	NUT		(2)	◆	◆	◆	◆	◆
12	945 990 0150	(945 990 0050)	1	NUT		(1)	◆	◆	◆	◆	◆
13	015 981 1605	(013 981 1105)	1	ROLLER BEARING			◆	◆	◆	◆	◆
14	945 262 3634		2	ENGAGING RING	157.0mm	(4)	◆	◆	◆	◆	◆
14	389 262 5434	(945 262 0334)	2	ENGAGING RING	157.0mm	(3)	◆	◆	◆	◆	◆
		(945 262 0134)									
15	387 262 1093		4	SPRING			◆	◆	◆	◆	◆
16	945 260 2245	(947 260 0545)	4	SYNCHRONIZING CONE		(4)	◆	◆	◆	◆	◆
		(945 262 6337)									
16	945 260 0450		4	SYNCHRONIZING CONE	177.0mm	(3)	◆	◆	◆	◆	◆
16	389 262 0637		4	SYNCHRONIZING CONE	177.0mm	(3)	◆	◆	◆	◆	◆
17	389 262 5335		1	GUIDE SLEEVE			◆	◆	◆	◆	◆
18	945 262 5723		2	ENGAGING SLEEVE		(4)	◆	◆	◆	◆	◆
18	389 262 2023		2	ENGAGING SLEEVE		(3)	◆	◆	◆	◆	◆
19	947 265 0349	(389 265 2749)	6	SLIDING PAD			◆	◆	◆	◆	◆
20	389 265 1802	(389 260 4130)	1	SHIFTING FORK			◆	◆	◆	◆	◆
21	389 265 9904	(389 265 7304)	1	SHIFTING ROD			◆	◆	◆	◆	◆
22	945 262 7134		1	ENGAGING RING		(4)	◆	◆	◆	◆	◆
22	389 262 9834		1	ENGAGING RING		(3)	◆	◆	◆	◆	◆
23	389 262 0816	(389 262 0416)	1	GEAR 5th			◆	◆	◆	◆	◆
		(389 262 0716)									
		(389 262 0116)									
24	019 981 6010	(019 981 5810)	1	NEEDLE CAGE			◆	◆	◆	◆	◆
25	389 262 1862		1	THRUST WASHER			◆	◆	◆	◆	◆
26	389 262 1114	(389 262 0914)	1	GEAR 4th			◆	◆	◆	◆	◆
		(389 262 0614)									
		(389 262 0814)									
		(389 262 0414)									
		(389 262 0214)									
27	009 981 1510	(017 981 7810)	1	NEEDLE CAGE			◆	◆	◆	◆	◆
28	945 262 6134		1	ENGAGING RING		(4)	◆	◆	◆	◆	◆
28	945 262 5034	(389 262 9934)	1	ENGAGING RING		(3)	◆	◆	◆	◆	◆
		(389 262 5734)									
29	389 262 4435		1	GUIDE SLEEVE			◆	◆	◆	◆	◆
30	389 260 3930		1	SHIFTING FORK			◆	◆	◆	◆	◆

**NOTES :**

- [X1] : for gearbox numbered label no 714140
- [X2] : for gearbox numbered label no 714141
- [X3] : for gearbox numbered label no 714142
- [X4] : for gearbox numbered label no 714144
- [X5] : for gearbox numbered label no 714160
- (1) to gearbox number of 000522
- (2) from gearbox number of 000523
- (3) to gearbox number of 018182
- (4) from gearbox number of 018183

GEARBOX GO210-230/6

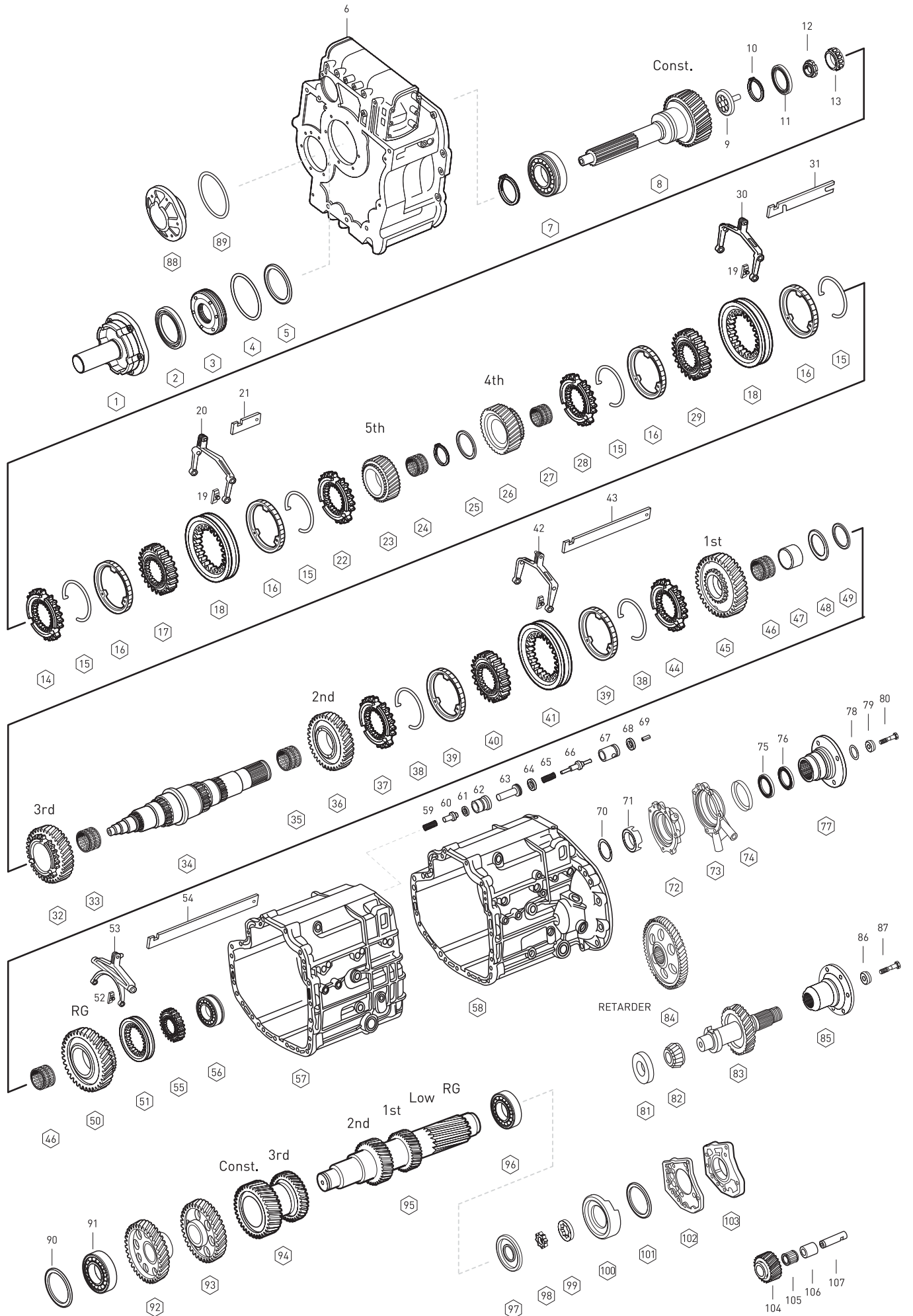


Fig.	Oem No	Oem Old No	Pcs	Description	Sizes	Notes	[X1]:G0210-6/6.5-0.8	[X2]:G0210-6/6.5-0.8	[X3]:G0210-6/6.5-0.8	[X4]:G0210-6/6.5-0.8	[X5]:G0230-6/6.5-0.8
31	389 265 9704		1	SHIFTING ROD			◆	◆	◆	◆	◆
32	945 262 6417		1	GEAR 3rd		(4)	◆	◆	◆	◆	◆
32	656 262 4413	(656 262 0013)	1	GEAR 3rd		(3)	◆	◆	◆	◆	◆
		(389 262 4413)									
		(389 262 4313)									
		(389 262 3613)									
		(389 262 3513)									
33	019 981 3410		1	NEEDLE CAGE			◆	◆	◆	◆	◆
34	389 262 4605	(389 262 4505)	1	MAIN SHAFT		(2)	◆	◆	◆	◆	◆
34	389 262 4005	(389 262 3205)	1	MAIN SHAFT		(1)	◆	◆	◆	◆	◆
35	018 981 0410		1	NEEDLE CAGE			◆	◆	◆	◆	◆
36	976 262 1612	(976 262 1512)	1	GEAR 2nd			◆	◆	◆	◆	◆
		(976 262 1412)									
		(389 262 2712)									
		(976 262 1312)									
		(976 262 0612)									
		(976 262 1212)									
		(976 262 0312)									
37	945 262 6034		1	ENGAGING RING		(4)	◆	◆	◆	◆	◆
37	945 262 4934	(389 262 8334)	1	ENGAGING RING		(3)	◆	◆	◆	◆	◆
38	387 262 0893		2	SPRING			◆	◆	◆	◆	◆
39	947 260 1945	(946 262 6137)	2	SYNCHRONIZING CONE		(4)	◆	◆	◆	◆	◆
		(947 260 0745)									
39	945 260 0650		2	SYNCHRONIZING CONE		(3)	◆	◆	◆	◆	◆
39	389 262 0737		2	SYNCHRONIZING CONE		(3)	◆	◆	◆	◆	◆
40	389 262 5635	(389 262 3335)	1	GUIDE SLEEVE			◆	◆	◆	◆	◆
41	945 262 5623		1	ENGAGING SLEEVE		(4)	◆	◆	◆	◆	◆
41	389 262 2123		1	ENGAGING SLEEVE		(3)	◆	◆	◆	◆	◆
42	387 260 4730	(389 260 2330)	1	SHIFTING FORK			◆	◆	◆	◆	◆
43	389 265 9804		1	SHIFTING ROD			◆	◆	◆	◆	◆
44	945 262 5934		1	ENGAGING RING		(4)	◆	◆	◆	◆	◆
44	945 262 4834	(389 262 8234)	1	ENGAGING RING		(3)	◆	◆	◆	◆	◆
45	389 262 3411	(389 262 3011)	1	GEAR 1st			◆	◆	◆	◆	◆
		(389 262 3311)									
		(389 262 2511)									
46	021 981 9410	(019 981 6210)	2	NEEDLE CAGE			◆	◆	◆	◆	◆
		(019 981 0610)									
		(008 981 9810)									
		(008 981 8510)									
47	389 262 2450	(389 262 2250)	1	BEARING RACE			◆	◆	◆	◆	◆
48	389 262 2855		1	THRUST WASHER			◆	◆	◆	◆	◆

NOTES :

- [X1] : for gearbox numbered label no 714140
- [X2] : for gearbox numbered label no 714141
- [X3] : for gearbox numbered label no 714142
- [X4] : for gearbox numbered label no 714144
- [X5] : for gearbox numbered label no 714160
- (1) to gearbox number of 000522
- (2) from gearbox number of 000523
- (3) to gearbox number of 018182
- (4) from gearbox number of 018183

G0210-230/6

GEARBOX GO210-230/6

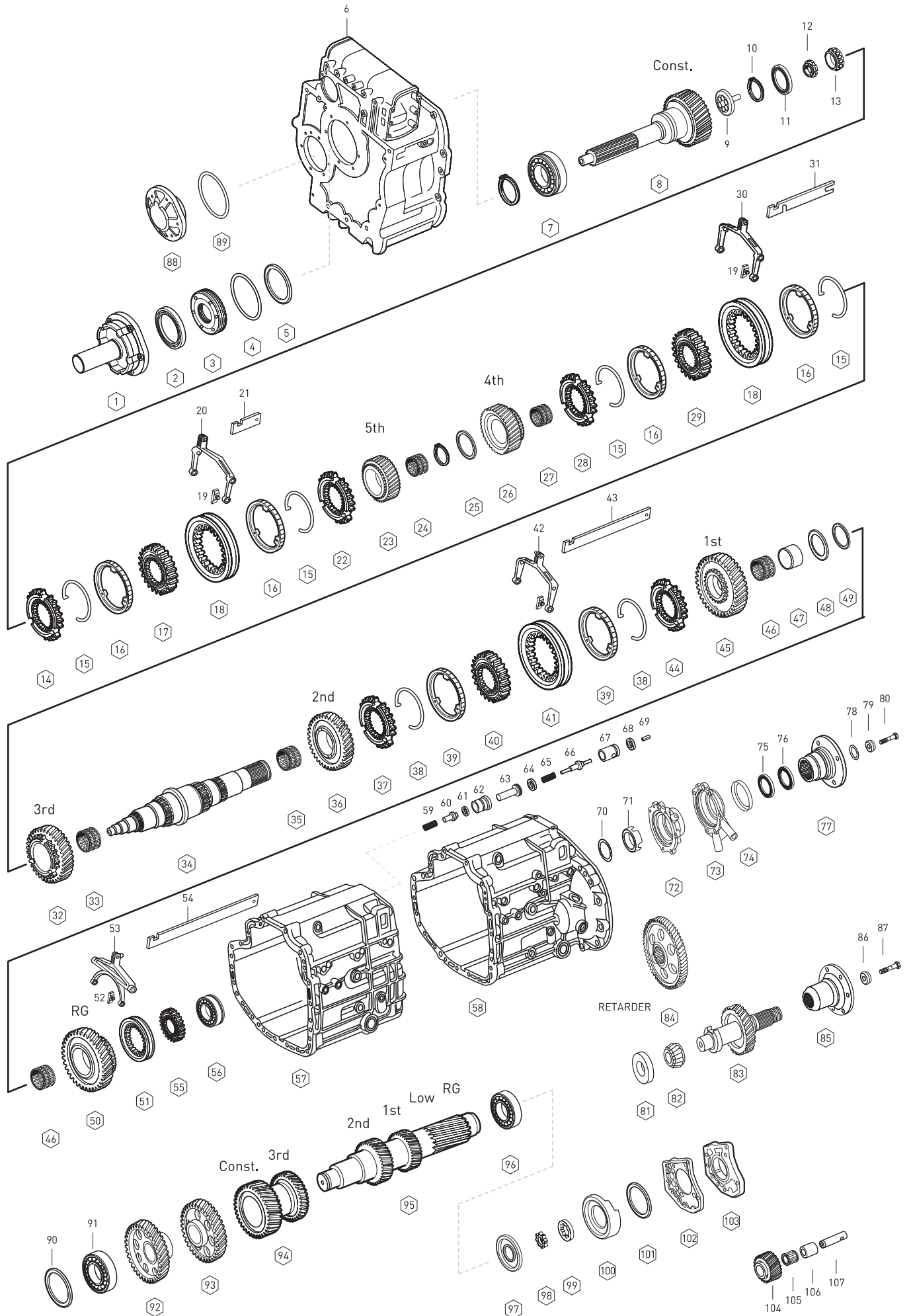


Fig.	o. Oem No	Oem Old No	Pcs	Description	Sizes	Notes	[X1]:G0210-6/6.5-0.8	[X2]:G0210-6/6.5-0.8	[X3]:G0210-6/6.5-0.8	[X4]:G0210-6/6.5-0.8	[X5]:G0230-6/6.5-0.8
49	389 262 8852		1	THRUST WASHER			◆	◆	◆	◆	◆
50	389 262 2733	(389 262 2233)	1	REVERSE GEAR			◆	◆	◆	◆	◆
51	389 262 1823	(389 262 0923)	1	ENGAGING SLEEVE		(7)	◆	◆	◆	◆	◆
51	389 262 1723	(389 262 0023)	1	ENGAGING SLEEVE		(8)	◆	◆	◆	◆	◆
52	947 265 0249	(945 265 0149)	2	SLIDING PAD			◆	◆	◆	◆	◆
53	656 260 0230	(389 260 2630)	1	SHIFTING FORK			◆	◆	◆	◆	◆
		(389 260 0330)									
54	656 265 0104	(389 265 8104)	1	SHIFTING ROD			◆	◆	◆	◆	◆
		(389 260 2831)									
55	389 262 4235		1	GUIDE SLEEVE		(7)	◆	◆	◆	◆	◆
55	389 262 4135		1	GUIDE SLEEVE		(8)	◆	◆	◆	◆	◆
56	012 981 3705	(018 981 6705)	1	ROLLER BEARING			◆	◆	◆	◆	◆
57	629 261 0403	(389 261 2529)	1	HOUSING			◆				◆
		(389 261 1729)									
		(389 261 1229)									
		(389 261 9226)									
58	629 261 0203	(389 261 9026)	1	HOUSING			◆		◆	◆	◆
		(389 261 1029)									
		(389 261 1529)									
		(389 261 2429)									
58	389 261 0729	(389 261 8226)	1	HOUSING			◆	◆		◆	◆
		(389 261 8026)									
		(389 261 7526)									
		(389 261 7326)									
		(389 261 5526)									
		(389 261 7426)									
58	389 261 0629	(389 261 8126)	1	HOUSING			◆				◆
		(389 261 7926)									
59	389 993 5301		1	SPRING			◆	◆	◆	◆	◆
60	389 269 1026	(389 269 0926)	1	SELECTOR VALVE			◆	◆	◆	◆	◆
61	013 997 0148		1	O-RING	13.3X2.4mm		◆	◆	◆	◆	◆
62	389 269 1444	(389 269 0744)	1	VALVE INSERT			◆	◆	◆	◆	◆
		(389 269 0144)									
63	389 265 0176	(389 265 0076)	1	WASHER			◆	◆	◆	◆	◆
64	013 997 0048		1	O-RING	19.2X3.0mm		◆	◆	◆	◆	◆
65	389 993 4401		1	SPRING	11.5X41.9X1.0mm		◆	◆	◆	◆	◆
66	389 269 0826		1	SELECTOR VALVE			◆	◆	◆	◆	◆
67	389 269 0844		1	BALL			◆	◆	◆	◆	◆
68	013 997 0048		1	O-RING	19.2X3.0mm		◆	◆	◆	◆	◆
69	001481 004 049		1	CLAMPING SLEEVE			◆	◆	◆	◆	◆
70	389 262 8354		1	THRUST WASHER			◆	◆	◆	◆	◆

NOTES :

- [X1] : for gearbox numbered label no 714140
- [X2] : for gearbox numbered label no 714141
- [X3] : for gearbox numbered label no 714142
- [X4] : for gearbox numbered label no 714144
- [X5] : for gearbox numbered label no 714160
- (7) used in conjunction with the encoded parts
- (8) used in conjunction with the encoded parts

G0210-230/6

GEARBOX GO210-230/6

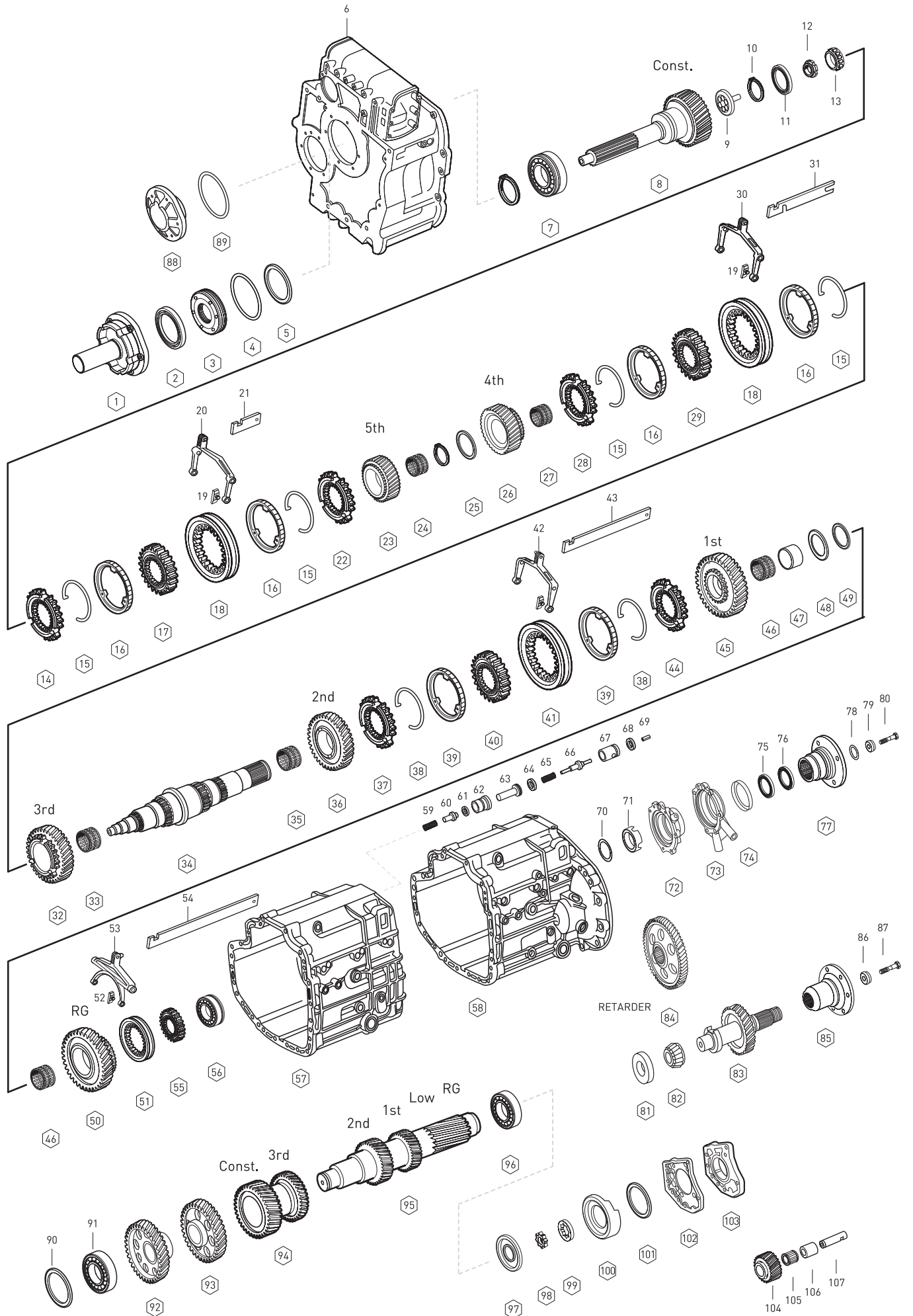


Fig.	o. Oem No	Oem Old No	Pcs.	Description	Sizes	Notes	[X1]:G0210-6/6.5-0.8	[X2]:G0210-6/6.5-0.8	[X3]:G0210-6/6.5-0.8	[X4]:G0210-6/6.5-0.8	[X5]:G0230-6/6.5-0.8
71	656 262 0028		1	PULSE STAR	ELECTRONIC		◆	◆	◆	◆	◆
72	389 261 1520	(389 261 1420)	1	COVER			◆	◆	◆	◆	◆
73	656 261 0120	(656 261 0020)	1	COVER			◆				◆
74	656 261 0165	(656 261 0065)	1	OIL BAFFLE			◆				◆
75	020 997 9947	(017 997 2547)	1	OIL SEAL			◆	◆	◆	◆	◆
		(008 997 0347)									
		(007 997 9847)									
76	023 997 1647	(014 997 2047)	1	OIL SEAL			◆	◆	◆	◆	◆
		(013 997 5647)									
76	023 997 8847	(023 997 8547)	1	OIL SEAL			◆	◆	◆	◆	◆
		(020 997 6447)									
76	012 997 4447	(017 997 7947)	1	OIL SEAL	10,0mm		◆	◆	◆	◆	◆
		(008 997 0047)									
77	656 262 0145		1	COMPANION FLANGE	4-H, Ø180mm		◆				◆
77	629 262 0045		1	COMPANION FLANGE	4-H, Ø150mm		◆				◆
77	629 262 0245		1	COMPANION FLANGE	4-H, Ø150mm		◆				◆
77	629 262 0145		1	COMPANION FLANGE	4-H, Ø180mm		◆		◆	◆	◆
77	656 262 0045		1	COMPANION FLANGE	4-H, Ø150mm		◆				◆
78	027 997 3048		1	O-RING			◆	◆	◆	◆	◆
79	976 262 0362	(976 262 0162)	1	THRUST WASHER			◆	◆	◆	◆	◆
80	000000 000 963		1	SCREW	M20X80mm		◆	◆	◆	◆	◆
81	000 438 0112		1	GUIDE	14.0X4.0mm		◆		◆	◆	◆
82	002 981 6581		1	ROLLER BEARING	RETARDER		◆		◆	◆	◆
83	629 430 0246	(629 430 0146)	1	INTERMEDIATE SHAFT	RETARDER		◆		◆	◆	◆
83	629 430 0046		1	INTERMEDIATE SHAFT	RETARDER		◆				◆
84	629 264 0020		1	ENGAGING RING	RETARDER		◆		◆	◆	◆
85	656 437 0045		1	COMPANION FLANGE	RETARDER		◆				◆
86	020 997 0648		1	THRUST WASHER			◆				◆
87	656 990 0000		1	SCREW			◆				◆
88	976 261 1633	(976 261 1733)	1	COVER		(6)	◆	◆	◆	◆	◆
		(976 261 1833)									
88	389 261 1933		1	COVER		(5)	◆	◆	◆	◆	◆
89	028 997 2348	(004 997 2248)	1	O-RING	103.0X3.0mm	(6)	◆	◆	◆	◆	◆
89	022 997 4048		1	O-RING	103.0X2.0mm	(5)	◆	◆	◆	◆	◆
90	389 263 5352		1	SHIM	0.40mm		◆	◆	◆	◆	◆
90	389 263 5852		1	SHIM	0.55mm		◆	◆	◆	◆	◆
90	389 263 6352		1	SHIM	0.70mm		◆	◆	◆	◆	◆
90	389 263 6852		1	SHIM	0.85mm		◆	◆	◆	◆	◆
90	389 263 7352		1	SHIM	1.00mm		◆	◆	◆	◆	◆
90	389 263 7852		1	SHIM	1.15mm		◆	◆	◆	◆	◆
90	389 263 8352		1	SHIM	1.30mm		◆	◆	◆	◆	◆

NOTES :

- [X1] : for gearbox numbered label no 714140
- [X2] : for gearbox numbered label no 714141
- [X3] : for gearbox numbered label no 714142
- [X4] : for gearbox numbered label no 714144
- [X5] : for gearbox numbered label no 714160
- (5) to gearbox number of 078499
- (6) from gearbox number of 078500



GEARBOX GO210-230/6

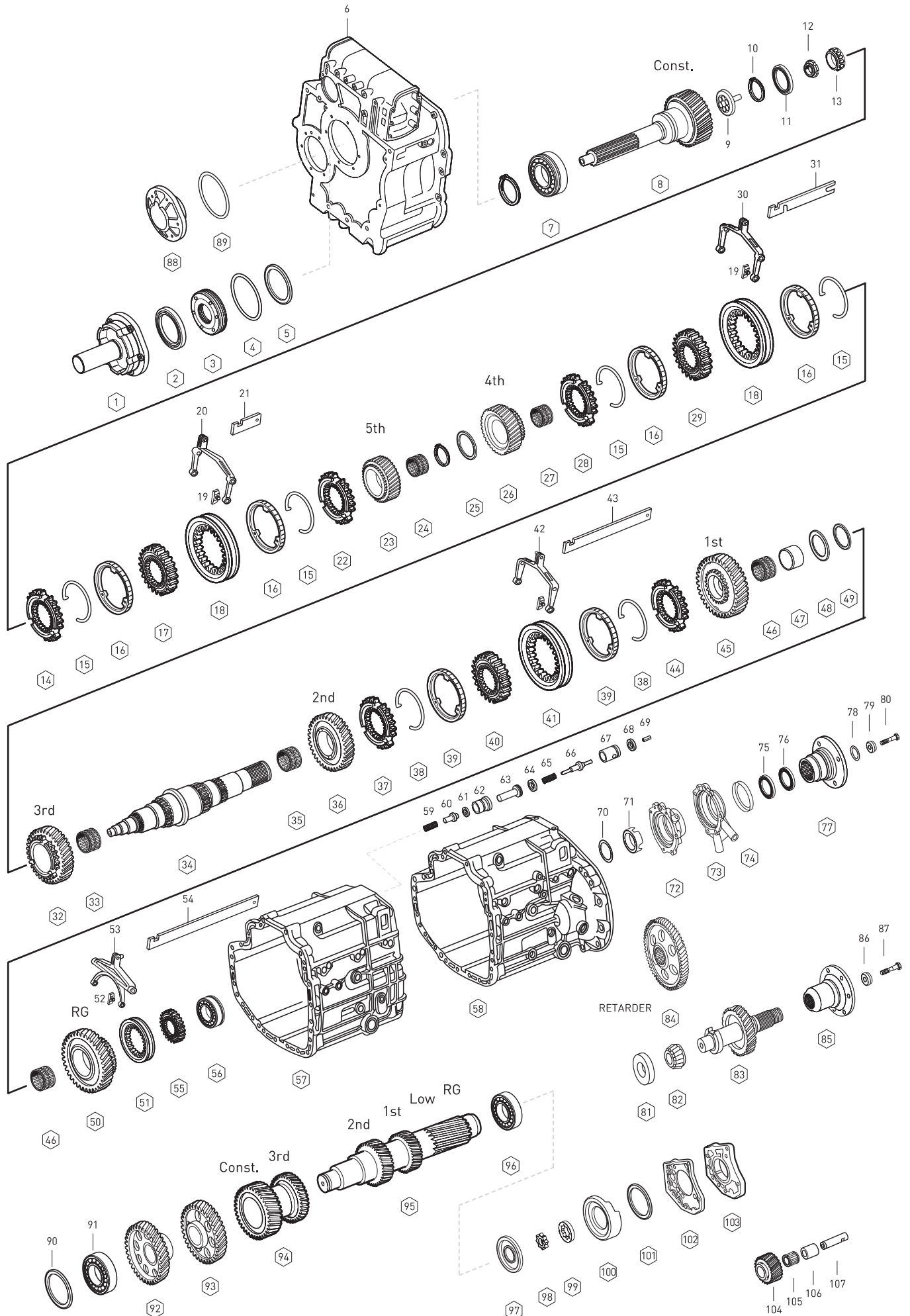


Fig.	Oem No	Oem Old No	Pcs	Description	Sizes	Notes	[X1]:G0210-6/6.5-0.8	[X2]:G0210-6/6.5-0.8	[X3]:G0210-6/6.5-0.8	[X4]:G0210-6/6.5-0.8	[X5]:G0230-6/6.5-0.8
91	014 981 1405	(013 981 0605)	1	ROLLER BEARING	51X100X37.5mm		◆	◆	◆	◆	◆
92	389 263 2710	(389 263 1910)	1	CONSTANT GEAR			◆	◆	◆	◆	◆
93	389 263 0116		1	GEAR 5th			◆	◆	◆	◆	◆
94	656 263 0013	(389 263 2713)	1	DOUBLE GEAR 3rd/4th			◆	◆	◆	◆	◆
		(389 263 2813)									
		(389 263 3013)									
95	389 263 2702	(389 263 2102)	1	COUNTER SHAFT			◆	◆	◆	◆	◆
96	015 981 4105	(012 981 3605)	1	ROLLER BEARING			◆	◆	◆	◆	◆
97	389 269 2001	(389 269 1901)	1	OIL PUMP COVER			◆	◆	◆	◆	◆
98	389 269 1606		1	OIL PUMP GEAR			◆	◆	◆	◆	◆
99	389 269 0706		1	ROTOR			◆	◆	◆	◆	◆
100	389 269 2201	(389 269 2101)	1	OIL PUMP HOUSING			◆	◆	◆	◆	◆
101	389 263 1352		1	SHIM	0.10mm		◆	◆	◆	◆	◆
101	389 263 1452		1	SHIM	0.15mm		◆	◆	◆	◆	◆
101	389 263 1552		1	SHIM	0.25mm		◆	◆	◆	◆	◆
101	389 263 1652		1	SHIM	0.30mm		◆	◆	◆	◆	◆
101	389 263 1752		1	SHIM	0.50mm		◆	◆	◆	◆	◆
102	389 261 1580		1	GASKET			◆	◆	◆	◆	◆
102	945 261 0080		1	GASKET			◆	◆	◆	◆	◆
103	656 261 0133	(389 261 2533)	1	COVER			◆	◆	◆	◆	◆
		(389 261 1233)									
		(389 261 1333)									
104	389 263 1931		1	REV.IDLER GEAR			◆	◆	◆	◆	◆
104	389 263 1831		1	REV.IDLER GEAR			◆	◆	◆	◆	◆
105	019 981 0510	(015 981 4110)	1	NEEDLE CAGE			◆	◆	◆	◆	◆
106	389 263 0650		1	BUSHING			◆	◆	◆	◆	◆
106	389 263 1150		1	BUSHING			◆	◆	◆	◆	◆
107	976 263 0330		1	PIN			◆	◆	◆	◆	◆
107	389 263 0730		1	PIN			◆	◆	◆	◆	◆

G0210-230/6

**NOTES :**

- [X1] : for gearbox numbered label no 714140
- [X2] : for gearbox numbered label no 714141
- [X3] : for gearbox numbered label no 714142
- [X4] : for gearbox numbered label no 714144
- [X5] : for gearbox numbered label no 714160

SYNCHRONIZER KIT Const./5th  
NEW MODEL

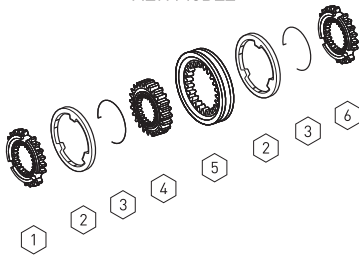


Fig.	. Oem No	Oem Old No	Pcs.	Description
	<b>2106232</b>		Kit	SYNCH.KIT Const./5th
1	<b>945 262 3634</b>		1	ENGAGING RING
2	<b>945 260 2245</b>	<b>(947 260 0545)</b>	2	SYNCHRONIZING CONE
3	<b>387 262 1093</b>		2	SPRING
4	<b>389 262 5335</b>		1	GUIDE SLEEVE
5	<b>945 262 5723</b>		1	ENGAGING SLEEVE
6	<b>945 262 7134</b>		1	ENGAGING RING

SYNCHRONIZER KIT Const./5th  
OLD MODEL

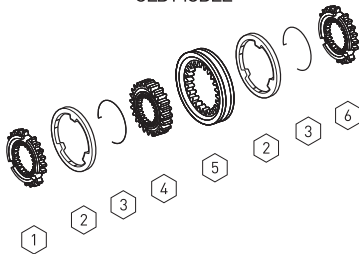


Fig.	. Oem No	Oem Old No	Pcs	Description
	<b>2106233</b>		Kit	SYNCH.KIT Const./5th
1	<b>389 262 5434</b>	<b>(945 262 0334)</b>	1	ENGAGING RING
		<b>(945 262 0134)</b>		
2	<b>389 262 0637</b>		2	SYNCHRONIZING CONE
3	<b>387 262 1093</b>		2	SPRING
4	<b>389 262 5335</b>		1	GUIDE SLEEVE
5	<b>389 262 2023</b>		1	ENGAGING SLEEVE
6	<b>389 262 9834</b>		1	ENGAGING RING

SYNCHRONIZER KIT 3rd/4th  
NEW MODEL

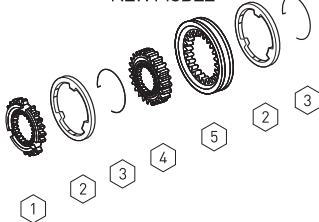


Fig.	. Oem No	Oem Old No	Pcs.	Description
	<b>2106228</b>		Kit	SYNCH.KIT 3rd/4th
1	<b>945 262 6134</b>		1	ENGAGING RING
2	<b>945 260 2245</b>	<b>(947 260 0545)</b>	2	SYNCHRONIZING CONE
3	<b>387 262 1093</b>		2	SPRING
4	<b>389 262 4435</b>		1	GUIDE SLEEVE
5	<b>945 262 5723</b>		1	ENGAGING SLEEVE

SYNCHRONIZER KIT 3rd/4th  
OLD MODEL

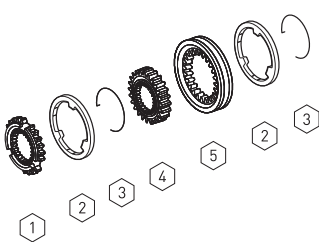


Fig.	. Oem No	Oem Old No	Pcs.	Description
	<b>2106229</b>		Kit	SYNCH.KIT 3rd/4th
1	<b>945 262 5034</b>	<b>(389 262 9934)</b>	1	ENGAGING RING
		<b>(389 262 5734)</b>		
2	<b>389 262 0637</b>		2	SYNCHRONIZING CONE
3	<b>387 262 1093</b>		2	SPRING
4	<b>389 262 4435</b>		1	GUIDE SLEEVE
5	<b>389 262 2023</b>		1	ENGAGING SLEEVE

Fig.	. Oem No	Oem Old No	Pcs	Description
	<b>2106230</b>		Kit	SYNCH.KIT 1st/2nd
1	<b>945 262 6034</b>		1	ENGAGING RING
2	<b>947 260 1945</b>	<b>(946 262 6137)</b> <b>(947 260 0745)</b>	2	SYNCHRONIZING CONE
3	<b>387 262 0893</b>		2	SPRING
4	<b>389 262 5635</b>	<b>(389 262 3335)</b>	1	GUIDE SLEEVE
5	<b>945 262 5623</b>		1	ENGAGING SLEEVE
6	<b>945 262 5934</b>		1	ENGAGING RING

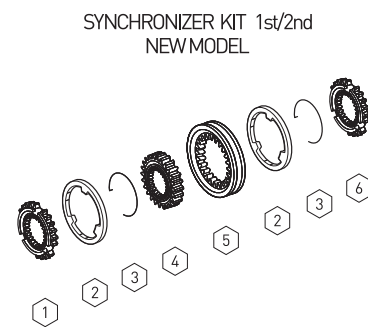
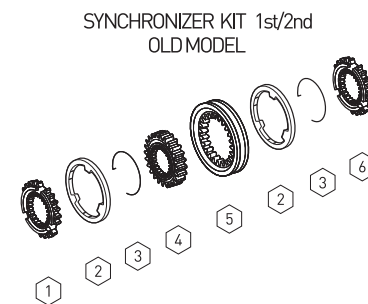


Fig.	. Oem No	Oem Old No	Pcs	Description
	<b>2106231</b>		Kit	SYNCH.KIT 1st/2nd
1	<b>945 262 4934</b>	<b>(389 262 8334)</b>	2	ENGAGING RING
2	<b>389 262 0737</b>		2	SYNCHRONIZING CONE
3	<b>387 262 0893</b>		2	SPRING
4	<b>389 262 5635</b>	<b>(389 262 3335)</b>	1	GUIDE SLEEVE
5	<b>389 262 2123</b>		1	ENGAGING SLEEVE
6	<b>945 262 4834</b>	<b>(389 262 8234)</b>	1	ENGAGING RING



# SHIFT CONTROL TOWER MANUAL (LEFT) / OLD MODEL

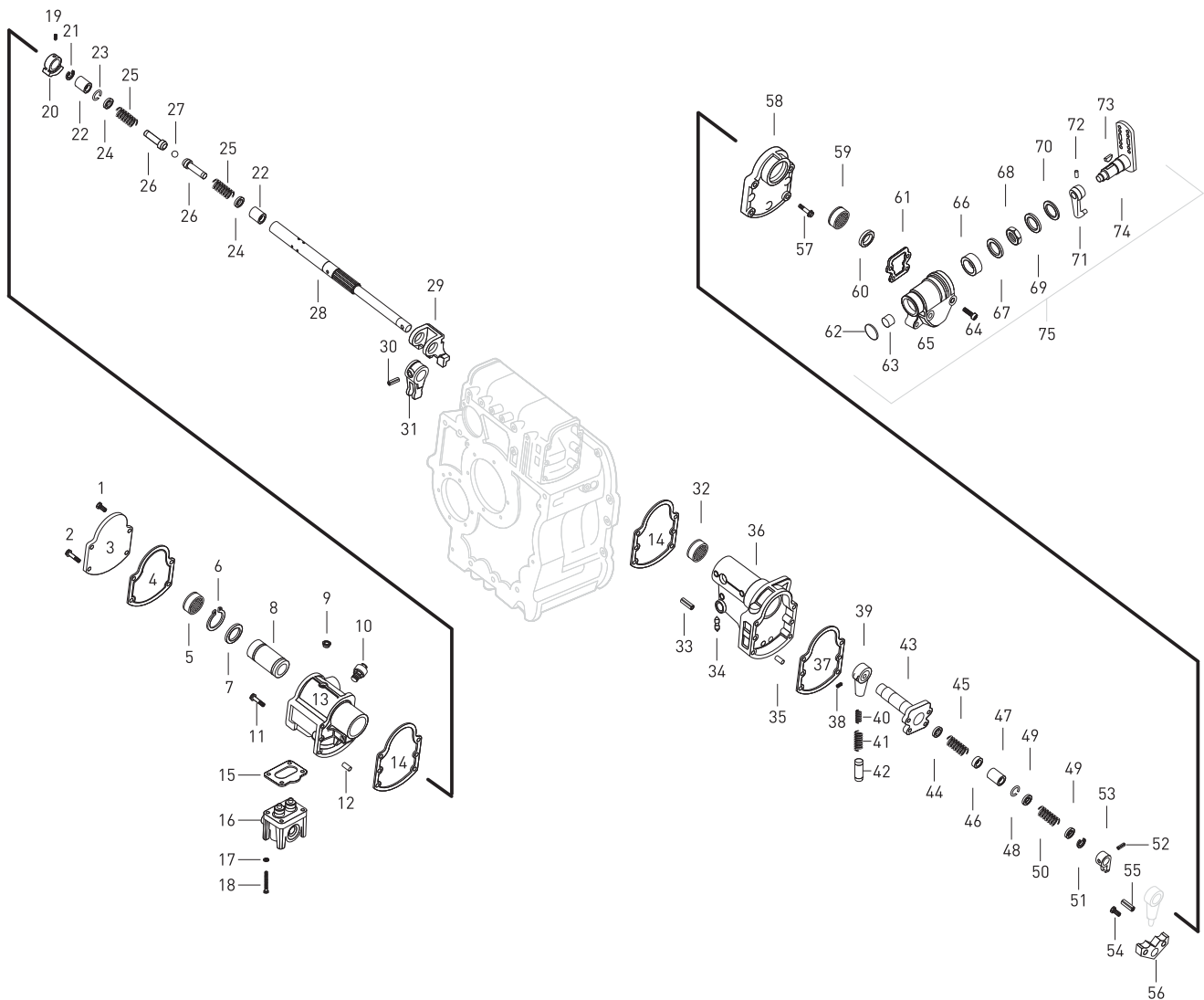
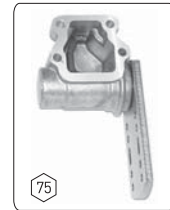
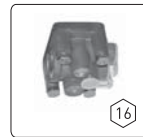
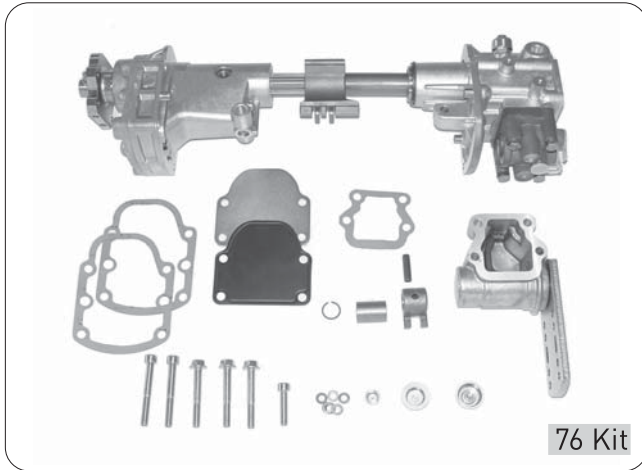


Fig.	o. Oem No	Oem Old No	Pcs	Description	Sizes	[X1]: G125-16	[X2]: G135-16	[X3]: G155-16	[X4]: G180-16	[X5]: G200-16	[X6]: G210-16	[X7]: G240-16
1	304017 008 021	(000933 008 147)	2	SCREW	M8X20.0mm	◆	◆	◆	◆	◆	◆	◆
2	304014 008 021	(000931 008 247)	2	SCREW	M8X120.0mm	◆	◆	◆	◆	◆	◆	◆
3	389 268 0334		1	BEARING COVER		◆	◆	◆	◆	◆	◆	◆
4	389 268 2180	(389 268 1080)	1	BEARING COVER GASKET		◆	◆	◆	◆	◆	◆	◆
5	005 981 3110		1	NEEDLE BEARING		◆	◆	◆	◆	◆	◆	◆
6	900055 040 300		2	LOCK RING		◆	◆	◆	◆	◆	◆	◆
7	000988 040 001		2	FITTED WASHER		◆	◆	◆	◆	◆	◆	◆
8	389 268 1150		1	BUSHING		◆	◆	◆	◆	◆	◆	◆
9	389 261 1433	(000443 012 001)	1	EXPANSION PLUG		◆	◆	◆	◆	◆	◆	◆
10	111 260 0058		1	BREATHER		◆	◆	◆	◆	◆	◆	◆
11	914126 008 017		2	SCREW	M8X22.0mm	◆	◆	◆	◆	◆	◆	◆
12	000007 010 102	(000007 010 239)	2	CYLINDRICAL PIN		◆	◆	◆	◆	◆	◆	◆
13	389 268 1712		1	BEARING COVER		◆	◆	◆	◆	◆	◆	◆
14	389 268 1180	(389 268 0180)	2	BEARING COVER GASKET		◆	◆	◆	◆	◆	◆	◆
15	385 268 0380	(385 268 0280)	1	VALVE GASKET		◆	◆	◆	◆	◆	◆	◆
16	001 260 8457	(001 260 4757)	1	VALVE		◆	◆	◆	◆	◆	◆	◆
		(001 260 3557)										
		(000 260 5457)										
17	000137 008 212	(000137 008 204)	4	SPRING WASHER		◆	◆	◆	◆	◆	◆	◆
18	914141 008 111		4	SCREW		◆	◆	◆	◆	◆	◆	◆
19	389 997 0319	(387 997 0119)	1	THREADED PIN		◆	◆	◆	◆	◆	◆	◆
20	389 267 0238		1	THRUST PIECE		◆	◆	◆	◆	◆	◆	◆
21	000472 016 000		1	LOCK RING		◆	◆	◆	◆	◆	◆	◆
22	389 267 2150		2	BUSHING	8.50mm	◆	◆	◆	◆	◆	◆	◆
22	389 267 2050		2	BUSHING	8.40mm	◆	◆	◆	◆	◆	◆	◆
22	389 267 1950		2	BUSHING	8.30mm	◆	◆	◆	◆	◆	◆	◆
22	389 267 1850		2	BUSHING	8.20mm	◆	◆	◆	◆	◆	◆	◆
22	389 267 1750		2	BUSHING	8.10mm	◆	◆	◆	◆	◆	◆	◆
22	389 267 1650		2	BUSHING	8.00mm	◆	◆	◆	◆	◆	◆	◆
22	389 267 1550		2	BUSHING	7.90mm	◆	◆	◆	◆	◆	◆	◆
22	389 267 1450		2	BUSHING	7.80mm	◆	◆	◆	◆	◆	◆	◆
22	389 267 1350		2	BUSHING	7.70mm	◆	◆	◆	◆	◆	◆	◆
22	389 267 1250		2	BUSHING	7.60mm	◆	◆	◆	◆	◆	◆	◆
22	389 267 1150		2	BUSHING	7.50mm	◆	◆	◆	◆	◆	◆	◆
23	912009 009 101		2	SNAP RING		◆	◆	◆	◆	◆	◆	◆
24	389 268 0252		4	SPACER WASHER		◆	◆	◆	◆	◆	◆	◆
25	389 993 2901		2	SPRING		◆	◆	◆	◆	◆	◆	◆
26	389 265 0416		2	THRUST PIECE		◆	◆	◆	◆	◆	◆	◆
27	005401 311 000		6	BALL	Ø11.0mm	◆	◆	◆	◆	◆	◆	◆
28	389 268 0829		1	SHIFTING ROD		◆	◆	◆	◆	◆	◆	◆
29	389 268 2616	(389 268 0616)	1	PAWL		◆	◆	◆	◆	◆	◆	◆

## NOTES :

- [X1] : gearboxes are used in transmission G125-16/14.0, 714720-21-24-30-31-32-33  
[X2] : gearboxes are used in transmission G135-16/11.9, 714722-23  
[X3] : gearboxes are used in transmission G155-16/14.0, 714701-02-08-10-11-12-13-14-19-90-91  
gearboxes are used in transmission G155-16/11.9, 714704-05-09-15-16-17-82-86-87-92  
[X4] : gearboxes are used in transmission G180-16/14.0, 714706-07  
gearboxes are used in transmission G180-16/11.9, 714700-03-80-81-89-94-95-96-97-98-99  
[X5] : gearboxes are used in transmission G200-16/11.9, 715200-01-02  
[X6] : gearboxes are used in transmission G210-16/14.2-0.83, 715240-41-42-52-53  
[X7] : gearboxes are used in transmission G240-16/11.7-0.69, 715260-61

# SHIFT CONTROL TOWER MANUAL (LEFT) / OLD MODEL

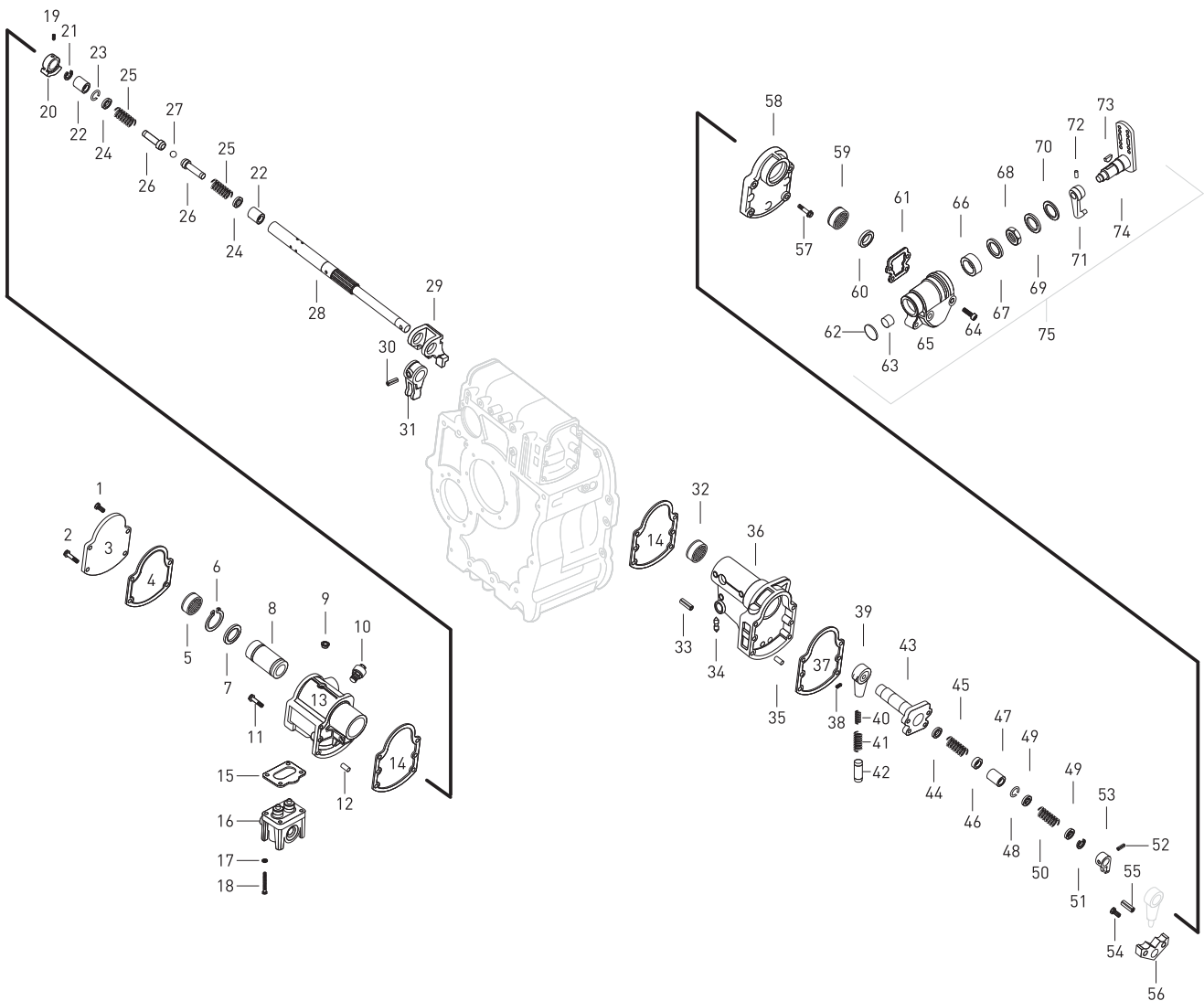
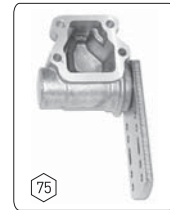
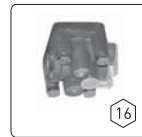
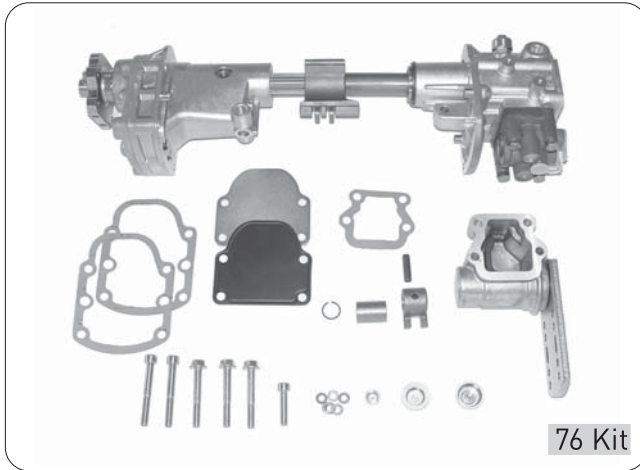


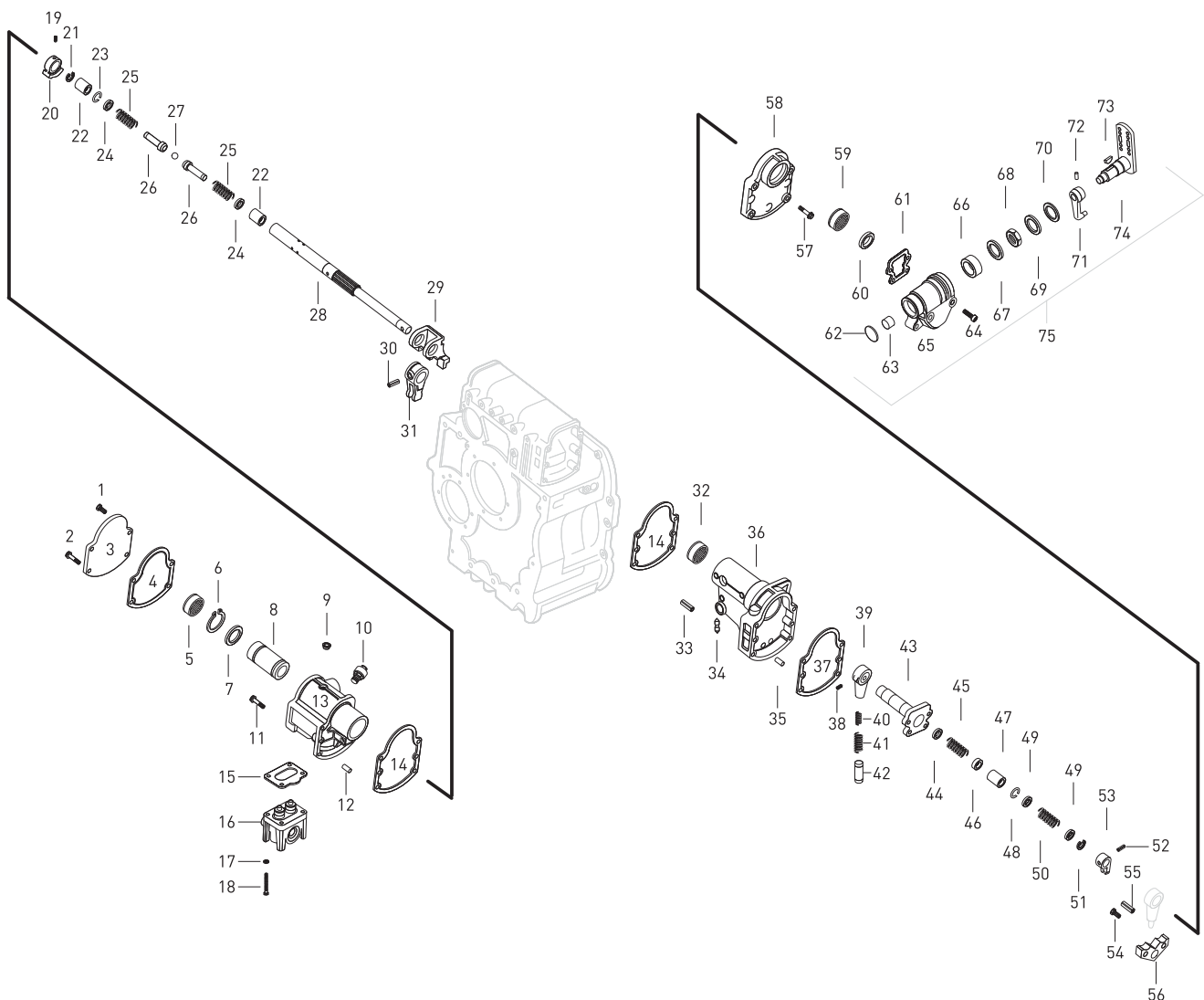
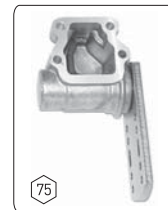
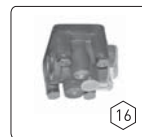
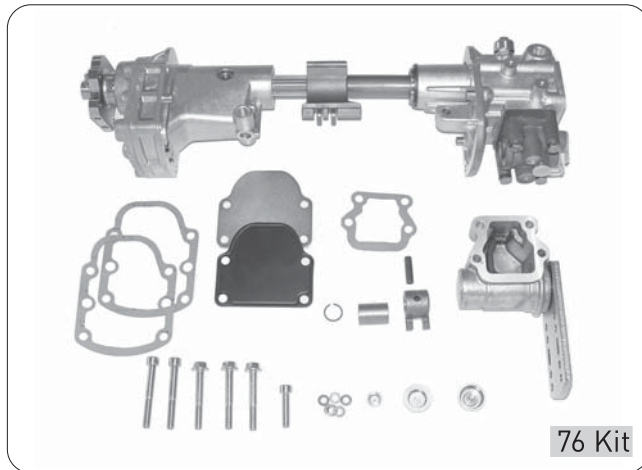
Fig.	Oem No	Oem Old No	Pcs	Description	Sizes	[X1]: G125-16	[X2]: G135-16	[X3]: G155-16	[X4]: G180-16	[X5]: G200-16	[X6]: G210-16	[X7]: G240-16
30	308748 010 000		1	CLAMPING PIN		◆	◆	◆	◆	◆	◆	◆
31	389 268 0533		1	SHIFTING FINGER		◆	◆	◆	◆	◆	◆	◆
32	009 981 0510		1	NEEDLE BEARING		◆	◆	◆	◆	◆	◆	◆
33	001481 004 027		1	LOCK PIN	Ø4.0mm	◆	◆	◆	◆	◆	◆	◆
34	389 267 0474		1	PIN		◆	◆	◆	◆	◆	◆	◆
35	000007 010 235		2	CYLINDRICAL PIN	Ø10.0mm	◆	◆	◆	◆	◆	◆	◆
36	389 268 1212	(389 268 1312)	1	BEARING COVER		◆	◆	◆	◆	◆	◆	◆
		(389 268 0934)										
		(389 268 0534)										
37	389 268 1480	(389 268 0280)	1	BEARING COVER GASKET		◆	◆	◆	◆	◆	◆	◆
38	389 997 0419	(389 997 0019)	2	THREADED PIN	M10.0mm	◆	◆	◆	◆	◆	◆	◆
39	945 268 0013		1	SELECTOR BODY		◆	◆	◆	◆	◆	◆	◆
40	387 993 2201		1	SPRING		◆	◆	◆	◆	◆	◆	◆
41	387 993 2101		1	SPRING		◆	◆	◆	◆	◆	◆	◆
42	945 268 0474		1	PIN		◆	◆	◆	◆	◆	◆	◆
43	389 997 0319	(387 997 0119)	1	SHAFT		◆	◆	◆	◆	◆	◆	◆
44	387 268 0776		1	WASHER		◆	◆	◆	◆	◆	◆	◆
45	387 993 0501		1	SPRING		◆	◆	◆	◆	◆	◆	◆
46	389 268 2450		1	BUSHING (ALUMINIUM)		◆	◆	◆	◆	◆	◆	◆
47	389 268 0053		1	SPACER TUBE		◆	◆	◆	◆	◆	◆	◆
48	912009 018 100		1	SNAP RING		◆	◆	◆	◆	◆	◆	◆
49	389 268 0276		2	WASHER		◆	◆	◆	◆	◆	◆	◆
50	389 993 4201		1	SPRING		◆	◆	◆	◆	◆	◆	◆
51	000472 032 001	(000472 032 000)	1	LOCK RING		◆	◆	◆	◆	◆	◆	◆
52	308750 008 001		1	CLAMPING PIN		◆	◆	◆	◆	◆	◆	◆
53	389 265 0216		1	DRIVER		◆	◆	◆	◆	◆	◆	◆
54	009 990 9301		1	SCREW	M8X22.0mm	◆	◆	◆	◆	◆	◆	◆
55	308748 006 003		2	CLAMPING PIN	Ø6.0X12.0mm	◆	◆	◆	◆	◆	◆	◆
56	387 268 1846		1	SHIFTING SEGMENT		◆	◆	◆	◆	◆	◆	◆
57	914126 008 078	(914126 008 020)	4	SCREW	M8X60.0mm	◆	◆	◆	◆	◆	◆	◆
58	389 268 6412	(389 268 1334)	1	BEARING COVER		◆	◆	◆	◆	◆	◆	◆
		(389 268 1234)										
59	017 981 9410	(017 981 9110)	1	NEEDLE BEARING		◆	◆	◆	◆	◆	◆	◆
		(007 981 2110)										
60	005 997 3647		1	SEAL RING		◆	◆	◆	◆	◆	◆	◆
61	387 268 1680	(387 268 0880)	1	SHIFT CASE COVER		◆	◆	◆	◆	◆	◆	◆
62	000470 034 000		1	EXPANSION PLUG		◆	◆	◆	◆	◆	◆	◆
63	387 268 1150	(387 268 0150)	1	BUSHING		◆	◆	◆	◆	◆	◆	◆
64	000912 008 204	(000912 008 098)	2	SCREW	M8X35.0mm	◆	◆	◆	◆	◆	◆	◆
64	007984 008 038		2	SCREW	M8X65.0mm	◆	◆	◆	◆	◆	◆	◆
65	389 260 0272		1	SHIFT CASE		◆	◆	◆	◆	◆	◆	◆

## NOTES :

- [X1] : gearboxes are used in transmission G125-16/14.0, 714720-21-24-30-31-32-33  
[X2] : gearboxes are used in transmission G135-16/11.9, 714722-23  
[X3] : gearboxes are used in transmission G155-16/14.0, 714701-02-08-10-11-12-13-14-19-90-91  
gearboxes are used in transmission G155-16/11.9, 714704-05-09-15-16-17-82-86-87-92  
[X4] : gearboxes are used in transmission G180-16/14.0, 714706-07  
gearboxes are used in transmission G180-16/11.9, 714700-03-80-81-89-94-95-96-97-98-99  
[X5] : gearboxes are used in transmission G200-16/11.9, 715200-01-02  
[X6] : gearboxes are used in transmission G210-16/14.2-0.83, 715240-41-42-52-53  
[X7] : gearboxes are used in transmission G240-16/11.7-0.69, 715260-61



# SHIFT CONTROL TOWER MANUAL (LEFT) / OLD MODEL





# SHIFT CONTROL TOWER MANUAL (LEFT) / NEW MODEL

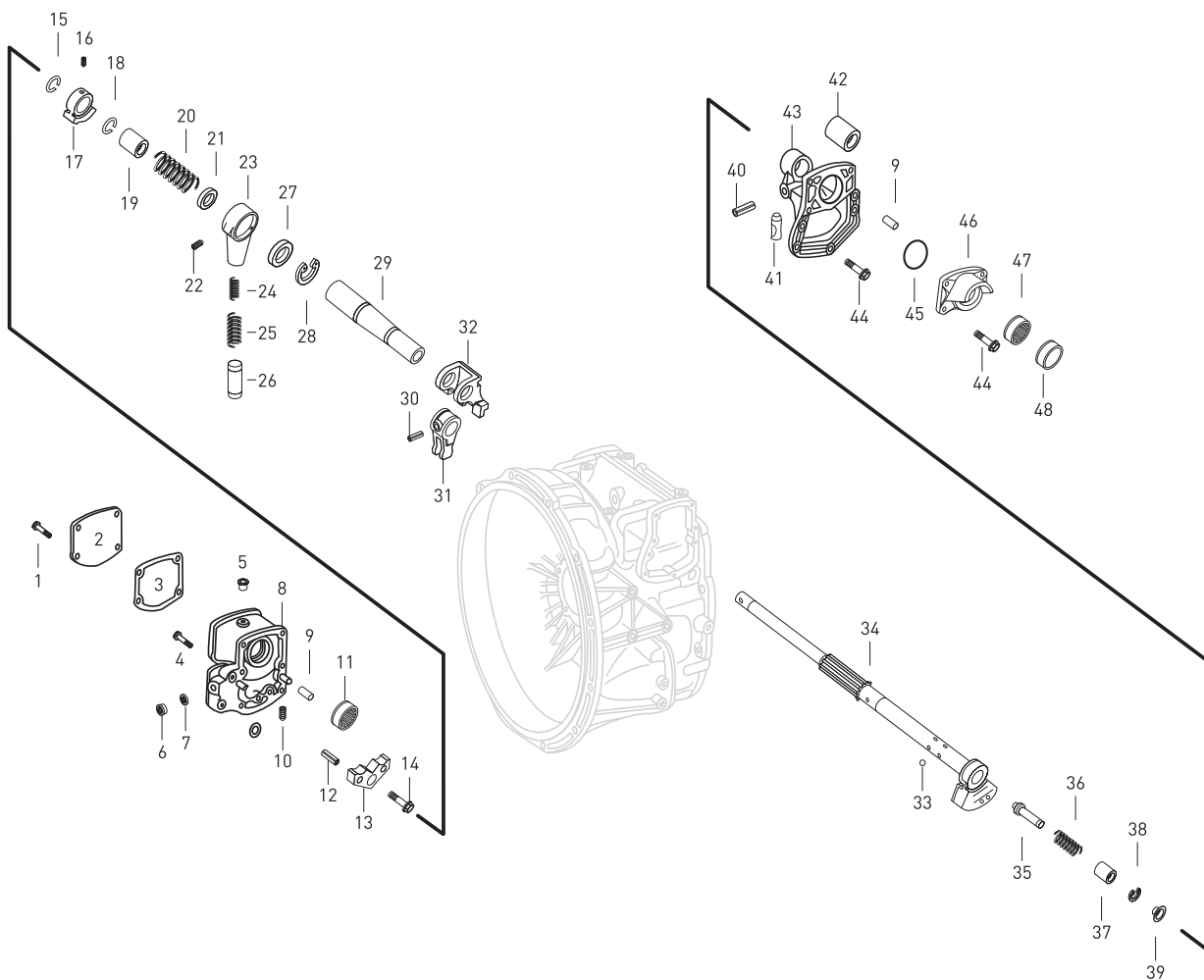
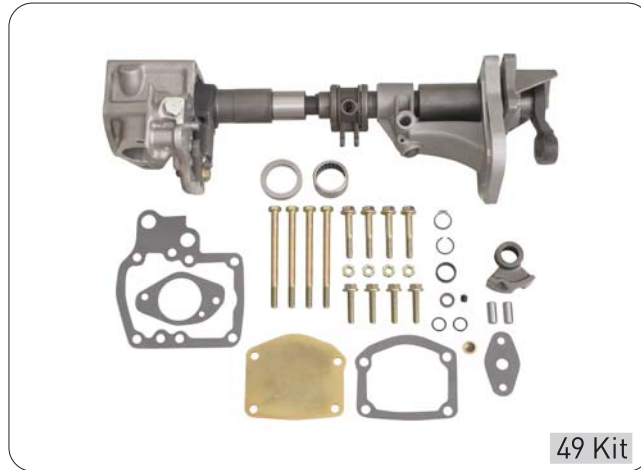


Fig.	o. Oem No	Oem Old No	Pcs	Description	Sizes	[X1] : G200-16	[X2] : G210-16	[X3] : G211-16	[X4] : G231-16	[X5] : G240-16	[X6] : G260-16
1	910143 008 014		4	SCREW		◆	◆	◆	◆	◆	◆
2	945 268 0357	(945 268 0057)	1	COVER		◆	◆	◆	◆	◆	◆
3	945 268 0180		1	GASKET		◆	◆	◆	◆	◆	◆
4	910143 008 009		2	SCREW		◆	◆	◆	◆	◆	◆
5	389 261 1433		1	COVER		◆	◆	◆	◆	◆	◆
6	007604 012 105		2	SCREW PLUG		◆	◆	◆	◆	◆	◆
7	007603 012 113		2	O-RING		◆	◆	◆	◆	◆	◆
8	945 268 4834	(945 268 2034)	1	BEARING COVER		◆	◆	◆	◆	◆	◆
		(945 260 0613)									
8	945 268 5034	(945 268 4434)	1	BEARING COVER		◆	◆	◆	◆	◆	◆
8	945 260 0813	(945 268 4734)	1	BEARING COVER		◆	◆	◆	◆	◆	◆
		(945 268 1334)									
8	945 260 2713	(945 268 4934)	1	BEARING COVER		◆	◆	◆	◆	◆	◆
		(945 268 4334)									
9	000007 010 102		2	CYLINDRICAL PIN		◆	◆	◆	◆	◆	◆
10	000 990 4677		1	THREADED PIN		◆	◆	◆	◆	◆	◆
11	017 981 9410	(017 981 9110)	1	NEEDLE BEARING		◆	◆	◆	◆	◆	◆
		(007 981 2110)									
12	308748 006 003		2	CLAMPING PIN		◆	◆	◆	◆	◆	◆
13	945 268 0746	(945 260 0073)	1	SHIFTING SEGMENT		◆	◆	◆	◆	◆	◆
14	910143 008 002		1	SCREW		◆	◆	◆	◆	◆	◆
15	912009 018 100		1	LOCK RING		◆	◆	◆	◆	◆	◆
16	308748 008 000		1	THREADED PIN		◆	◆	◆	◆	◆	◆
17	945 268 1046		1	SHIFTING SEGMENT		◆	◆	◆	◆	◆	◆
17	945 268 0146		1	SHIFTING SEGMENT		◆	◆	◆	◆	◆	◆
17	945 268 0046		1	SHIFTING SEGMENT		◆	◆	◆	◆	◆	◆
18	912009 028 200		1	SNAP RING		◆	◆	◆	◆	◆	◆
19	945 268 1750		1	BUSHING		◆	◆	◆	◆	◆	◆
20	976 993 0801		1	SPRING		◆	◆	◆	◆	◆	◆
20	945 993 0101		1	SPRING		◆	◆	◆	◆	◆	◆
20	945 993 0601		1	SPRING		◆	◆	◆	◆	◆	◆
21	387 268 1076		1	WASHER		◆	◆	◆	◆	◆	◆
22	389 997 0419		2	THREADED PIN		◆	◆	◆	◆	◆	◆
23	945 268 0013		1	LEVER		◆	◆	◆	◆	◆	◆
23	389 268 0013		1	LEVER		◆	◆	◆	◆	◆	◆
24	387 993 2201		1	SPRING		◆	◆	◆	◆	◆	◆
25	389 993 8501		1	SPRING		◆	◆	◆	◆	◆	◆
25	387 993 2101		1	SPRING		◆	◆	◆	◆	◆	◆
26	945 268 2074	(389 268 2974)	1	PIN		◆	◆	◆	◆	◆	◆
		(389 268 2474)									
		(389 268 2374)									

## NOTES :

[X1] : gearboxes are used in transmission G200-16/11,9, 715220-21-22-25-26-30-32-33

[X2] : gearboxes are used in transmission G210-16, 715500-01-04

[X3] : gearboxes are used in transmission G211-16, 715510-11-16-17

[X4] : gearboxes are used in transmission G231-16, 715513

[X5] : gearboxes are used in transmission G240-16/11.7-0.69, 715400-10-11

gearboxes are used in transmission G240-16, 715520-21-24-27

[X6] : gearboxes are used in transmission G260-16, 715540

# SHIFT CONTROL TOWER MANUAL (LEFT) / NEW MODEL

