

GEARBOX G211-16

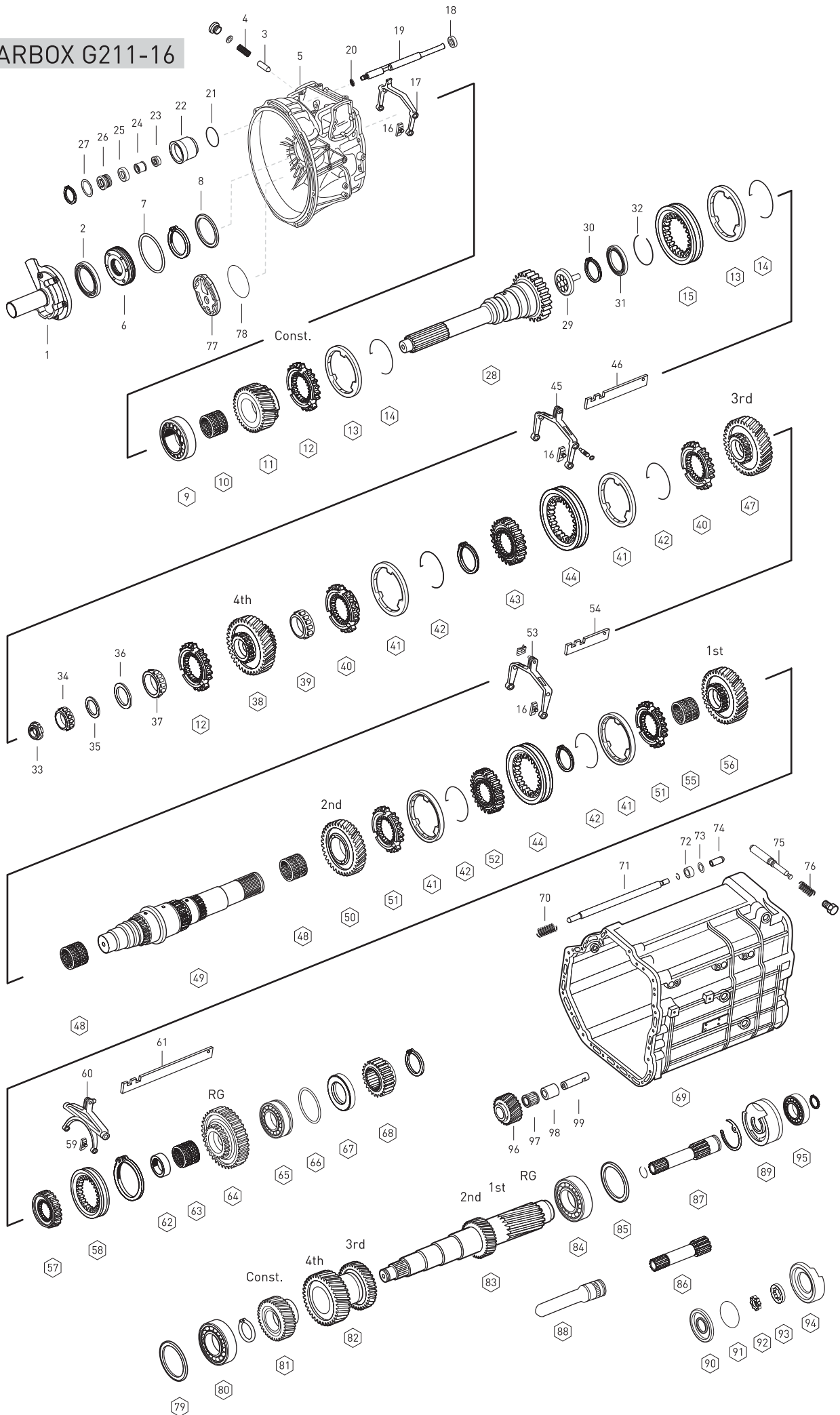


Fig.	o.	Oem No	Oem Old No	Pcs	Description	Sizes	Notes	[X1] : G211-16	[X2] : G211-16	[X3] : G211-16
1		945 261 1118	(945 261 0118)	1	COVER			◆	◆	◆
			(945 261 0818)							
2		023 997 7847	(019 997 0547)	1	OIL SEAL	56X72X8mm		◆	◆	◆
3		389 267 1174	(387 267 0034)	1	PIN			◆	◆	◆
4		387 993 4401		1	SPRING	9.8X63.3mm		◆	◆	◆
4		387 993 4501		1	SPRING	6.2X63.0mm		◆	◆	◆
5		945 260 6212		1	HOUSING				◆	
5		945 260 8412		1	HOUSING			◆		
5		945 260 5411		1	HOUSING			◆		
5		945 260 0111		1	HOUSING			◆		◆
5		945 260 2712	(945 260 7211)	1	HOUSING			◆		◆
			(945 260 2212)							
			(945 260 7311)							
5		945 260 4112		1	HOUSING			◆		◆
5		945 260 4811	(945 260 5211)	1	HOUSING			◆		◆
			(945 260 2111)							
6		389 261 0665		1	OIL BAFFLE			◆	◆	◆
7		020 997 7848		1	O-RING	128.0X3.0mm		◆	◆	◆
8		389 262 3055		1	SHIM	0.25mm		◆	◆	◆
8		389 262 3255		1	SHIM	0.31mm		◆	◆	◆
8		389 262 3555		1	SHIM	0.40mm		◆	◆	◆
8		389 262 3855		1	SHIM	0.49mm		◆	◆	◆
8		389 262 4055		1	SHIM	0.55mm		◆	◆	◆
9		014 981 9005	(011 981 1305)	1	ROLLER BEARING	75X140X36mm		◆	◆	◆
10		018 981 8210	(018 981 6410)	1	NEEDLE CAGE	82X90X35mm		◆	◆	◆
11		945 262 7810	(945 262 7710)	1	CONSTANT GEAR			◆	◆	◆
			(945 262 7610)							
			(945 262 7510)							
			(945 262 7410)							
			(945 262 4410)							
			(945 262 2110)							
			(945 262 4510)							
			(945 262 2910)							
			(945 262 4310)							
			(945 262 1410)							
12		945 262 3634		2	ENGAGING RING	157.0mm	(1)	◆	◆	◆
12		389 262 5434	(945 262 0334)	2	ENGAGING RING	157.0mm	(2)	◆	◆	◆
			(945 262 0134)							
13		945 260 2245	(947 260 0545)	2	SYNCHRONIZING CONE	177.0mm	(1)	◆	◆	◆
			(945 262 6337)							
13		945 260 0450		2	SYNCHRONIZING CONE	177.0mm	(2)	◆	◆	◆

NOTES :

- [X1] : for gearbox numbered label no 715510
- [X2] : for gearbox numbered label no 715511
- [X3] : for gearboxes numbered label nos 715516-17
- (1) from gearbox number of 502735
- (2) to gearbox number of 502734

GEARBOX G211-16

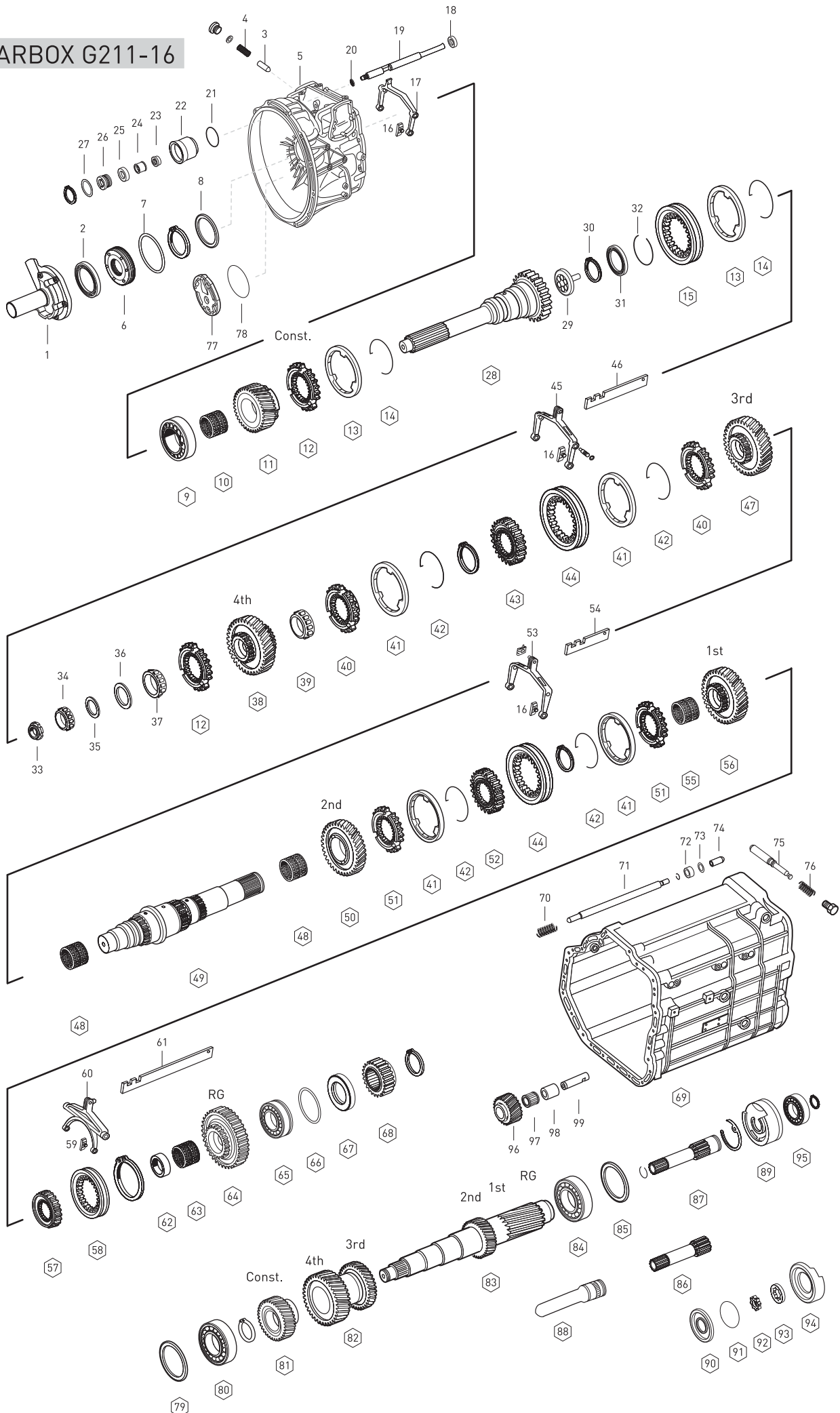


Fig.	Oem No	Oem Old No	Pcs	Description	Sizes	Notes	[X1] : G211-16	[X2] : G211-16	[X3] : G211-16
13	389 262 0637		2	SYNCHRONIZING CONE	177.0mm	(2)	◆	◆	◆
14	387 262 1093		2	SPRING			◆	◆	◆
15	945 262 6823	(945 262 6423)	1	ENGAGING SLEEVE		(1)	◆	◆	◆
15	945 262 2823	(945 262 0323)	1	ENGAGING SLEEVE		(2)	◆	◆	◆
		(945 262 0623)							
		(389 262 4123)							
		(389 262 2723)							
16	947 265 0349	(389 265 2749)	6	SLIDING PAD			◆	◆	◆
17	945 265 0001		1	GEAR SHIT FORK			◆	◆	◆
18	389 267 0050	(389 268 0950)	1	BUSHING			◆	◆	◆
19	945 267 0117		1	G.SHIFT RAIL				◆	
19	945 267 0017		1	G.SHIFT RAIL			◆	◆	◆
20	387 263 2652		1	SPACER WASHER	0.20mm		◆	◆	◆
20	387 263 2752		1	SPACER WASHER	0.40mm		◆	◆	◆
20	387 263 2852		1	SPACER WASHER	0.60mm		◆	◆	◆
20	387 263 3052		1	SPACER WASHER	1.00mm		◆	◆	◆
21	022 997 4248		1	O-RING			◆	◆	◆
22	945 267 0819	(945 267 0119)	1	CYLINDER			◆	◆	◆
		(945 267 0719)							
		(945 267 0019)							
23	000 267 0197	(000 267 0397)	1	FLANGE PACKING			◆	◆	◆
24	387 267 0650		1	BUSHING			◆		◆
25	012 997 3347	(006 997 6447)	1	DOUBLE PACKING			◆	◆	◆
26	945 267 0218	(387 267 0918)	1	PISTON			◆	◆	◆
		(387 267 0618)							
27	389 262 2555		1	SPACER WASHER	0.70mm		◆	◆	◆
27	389 262 2655		1	SPACER WASHER	0.90mm		◆	◆	◆
27	389 262 3254		1	SPACER WASHER	1.05mm		◆	◆	◆
27	389 262 3354		1	SPACER WASHER	1.10mm		◆	◆	◆
27	389 262 3554		1	SPACER WASHER	1.20mm		◆	◆	◆
27	389 262 2052		1	SPACER WASHER	1.40mm		◆	◆	◆
27	389 262 2355		1	SPACER WASHER	1.80mm		◆	◆	◆
27	389 262 3252		1	SPACER WASHER	2.00mm		◆	◆	◆
27	389 262 3352		1	SPACER WASHER	2.50mm		◆	◆	◆
28	945 262 1203		1	INPUT SHAFT			◆		◆
28	389 262 7601	(945 262 3201)	1	INPUT SHAFT			◆		◆
28	945 262 2782		1	INPUT SHAFT			◆	◆	
28	945 262 2703	(945 262 2603)	1	INPUT SHAFT		(3)	◆		
		(945 262 5803)							
		(945 262 5703)							
		(945 262 1403)							

NOTES :

- [X1] : for gearbox numbered label no 715510
[X2] : for gearbox numbered label no 715511
[X3] : for gearboxes numbered label nos 715516-17
(1) from gearbox number of 502735
(2) to gearbox number of 502734
(3) from gearbox number of 279735

GEARBOX G211-16

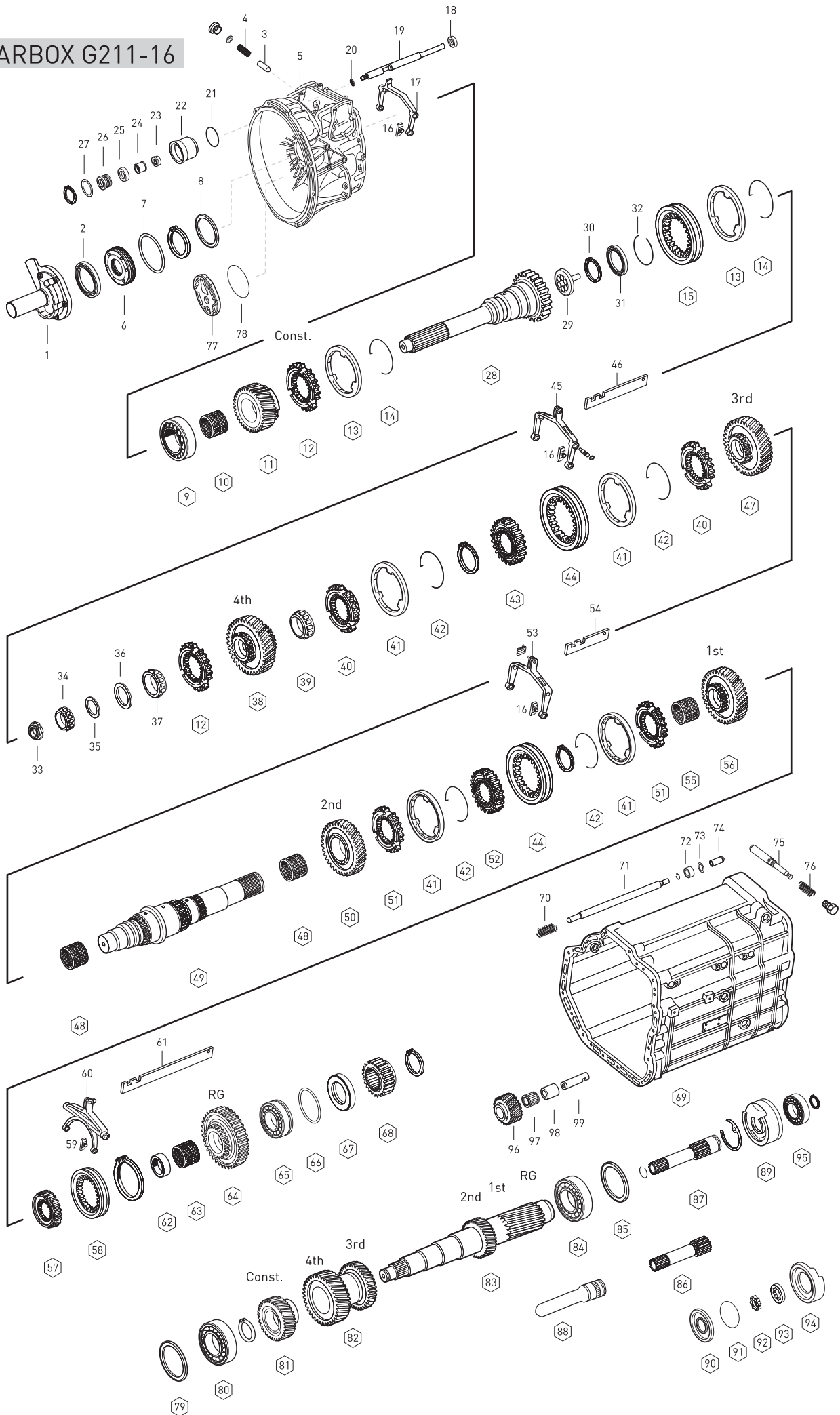


Fig	Oem No	Oem Old No	Pcs	Description	Sizes	Notes	[X1] : G211-16	[X2] : G211-16	[X3] : G211-16
28	945 262 2703	(945 262 6003)	1	INPUT SHAFT		(3)	◆		
28	945 262 8801	(945 262 5401)	1	INPUT SHAFT		(4)	◆		
		(945 262 1901)							
		(389 262 7901)							
28	945 262 6701		1	INPUT SHAFT			◆		
29	976 269 0034		1	OIL PIPET			◆	◆	◆
30	000 994 9841		1	RETANING RING			◆	◆	◆
31	000 262 9062	(000 262 8662)	1	OIL SEAL			◆	◆	◆
32	945 262 0073		1	LOCK RING			◆		◆
33	945 990 0250		1	NUT		(6)(7)(8)	◆	◆	◆
33	945 990 0150	(945 990 0050)	1	NUT		(5)	◆	◆	◆
34	017 981 1305	(015 981 8505)	1	ROLLER BEARING			◆	◆	◆
35	389 262 2351		1	THRUST WASHER	7.00mm		◆	◆	◆
36	389 262 3352		1	THRUST WASHER	2.50mm		◆	◆	◆
36	389 262 3252		1	THRUST WASHER	2.00mm		◆	◆	◆
36	389 262 3152		1	THRUST WASHER	1.95mm		◆	◆	◆
36	389 262 3052		1	THRUST WASHER	1.90mm		◆	◆	◆
36	389 262 2952		1	THRUST WASHER	1.85mm		◆	◆	◆
36	389 262 2455		1	THRUST WASHER	1.82mm		◆	◆	◆
36	389 262 2355		1	THRUST WASHER	1.79mm		◆	◆	◆
36	389 262 2255		1	THRUST WASHER	1.76mm		◆	◆	◆
36	389 262 2155		1	THRUST WASHER	1.73mm		◆	◆	◆
36	389 262 2055		1	THRUST WASHER	1.67mm		◆	◆	◆
36	389 262 1955		1	THRUST WASHER	1.64mm		◆	◆	◆
36	389 262 1855		1	THRUST WASHER	1.61mm		◆	◆	◆
36	389 262 1755		1	THRUST WASHER	1.58mm		◆	◆	◆
36	389 262 2352		1	THRUST WASHER	1.55mm		◆	◆	◆
36	389 262 1655		1	THRUST WASHER	1.52mm		◆	◆	◆
36	389 262 1555		1	THRUST WASHER	1.49mm		◆	◆	◆
36	389 262 1455		1	THRUST WASHER	1.46mm		◆	◆	◆
36	389 262 1355		1	THRUST WASHER	1.43mm		◆	◆	◆
36	389 262 2052		1	THRUST WASHER	1.40mm		◆	◆	◆
36	389 262 1952		1	THRUST WASHER	1.35mm		◆	◆	◆
36	389 262 2754		1	THRUST WASHER	1.30mm		◆	◆	◆
36	389 262 3654		1	THRUST WASHER	1.25mm		◆	◆	◆
36	389 262 3554		1	THRUST WASHER	1.20mm		◆	◆	◆
36	389 262 3454		1	THRUST WASHER	1.15mm		◆	◆	◆
36	389 262 3354		1	THRUST WASHER	1.10mm		◆	◆	◆
36	389 262 3254		1	THRUST WASHER	1.05mm		◆	◆	◆
36	389 262 2854		1	THRUST WASHER	0.50mm		◆	◆	◆
37	015 981 7605	(015 981 2005)	1	ROLLER BEARING			◆	◆	◆

NOTES :

- [X1] : for gearbox numbered label no 715510
- [X2] : for gearbox numbered label no 715511
- [X3] : for gearboxes numbered label nos 715516-17
- (3) from gearbox number of 279735
- (4) to gearbox number of 279734
- (5) to gearbox number of 235269
- (6) from gearbox number of 235270
- (7) to gearbox number of 344483
- (8) from gearbox number of 344484

GEARBOX G211-16

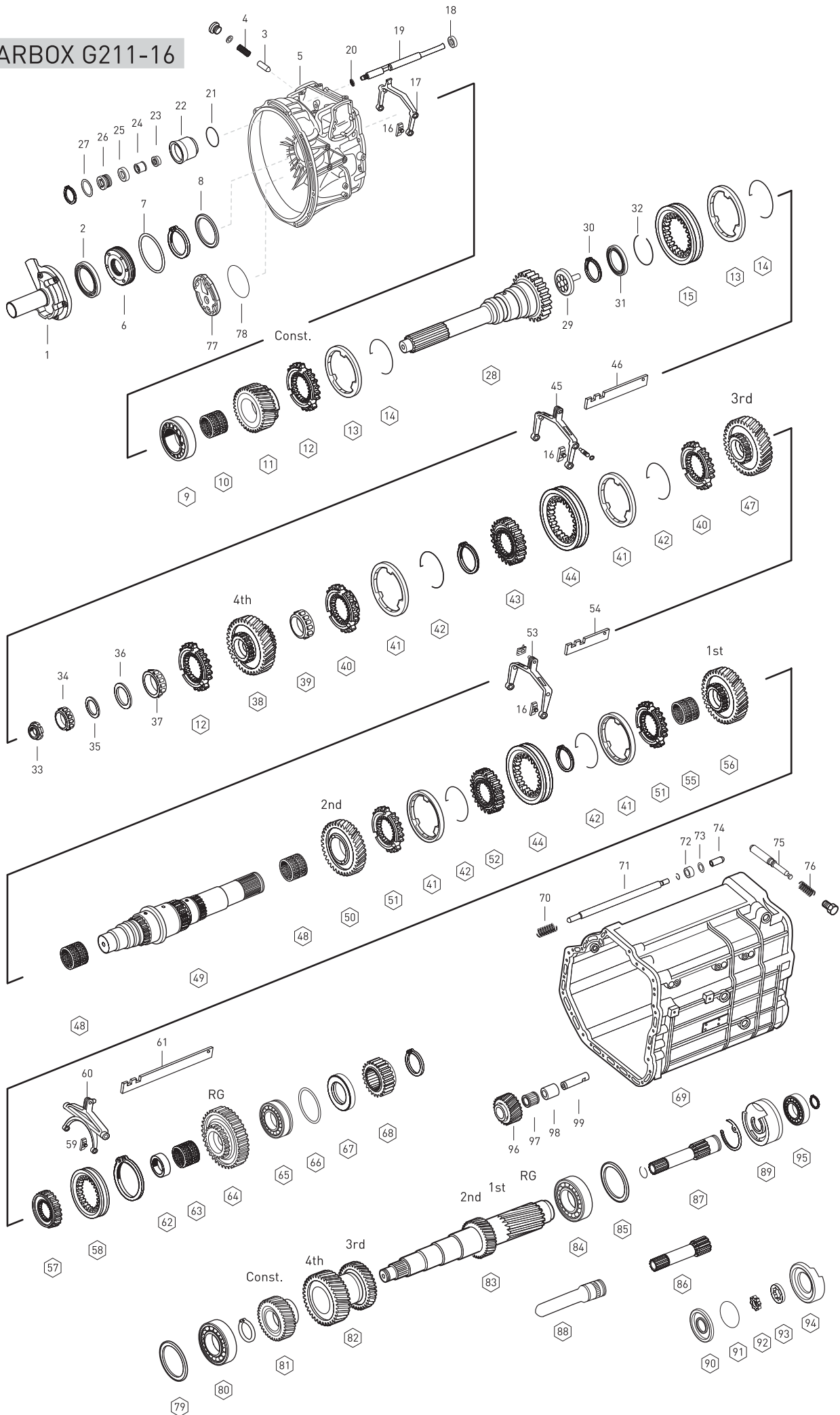


Fig.	Oem No	Oem Old No	Pcs	Description	Sizes	Notes	[X1] : G211-16	[X2] : G211-16	[X3] : G211-16
38	945 262 8810	(945 262 9310)	1	GEAR 4th			◆	◆	◆
		(945 262 9210)							
		(945 262 8910)							
		(945 262 2610)							
		(945 262 0510)							
		(945 262 2310)							
39	015 981 7705	(014 981 1605)	1	ROLLER BEARING			◆	◆	◆
40	945 262 5434		2	ENGAGING RING	173.5mm		◆	◆	◆
40	945 262 0534	(389 262 5034)	2	ENGAGING RING	173.5mm		◆	◆	◆
41	947 260 1945	(946 262 6137)	4	SYNCHRONIZING CONE	199.0mm		◆	◆	◆
		(947 260 0745)							
41	945 260 0650		4	SYNCHRONIZING CONE			◆	◆	◆
41	389 262 0737		4	SYNCHRONIZING CONE	196.0mm		◆	◆	◆
42	387 262 0893		4	SPRING	167.0mm		◆	◆	◆
43	389 262 4735	(389 262 4635)	1	GUIDE SLEEVE			◆	◆	◆
44	945 262 6523		2	ENGAGING SLEEVE			◆	◆	◆
44	945 262 2723	(945 262 0423)	2	ENGAGING SLEEVE			◆	◆	◆
		(389 262 2623)							
45	945 260 3730	(945 260 2630)	1	SHIFTING FORK			◆		
45	945 260 1030		1	SHIFTING FORK			◆	◆	◆
46	945 265 0404		1	SHIFTING ROD			◆	◆	◆
47	945 262 3513	(945 262 0213)	1	GEAR 3rd			◆	◆	◆
		(945 262 3613)							
		(945 262 3413)							
		(945 262 0813)							
		(945 262 1813)							
48	018 981 6610		2	NEEDLE CAGE			◆	◆	◆
49	930 262 1205		1	MAIN SHAFT			◆	◆	◆
49	945 262 4505		1	MAIN SHAFT		(8)	◆	◆	◆
49	945 262 3605	(945 262 3505)	1	MAIN SHAFT		(6)(7)	◆	◆	◆
49	945 262 1905	(389 262 2705)	1	MAIN SHAFT		(5)	◆	◆	◆
		(945 262 1705)							
		(945 262 1405)							
		(945 262 1505)							
		(945 262 1105)							
		(945 262 1605)							
50	945 262 6812		1	GEAR 2nd			◆	◆	◆
50	945 262 3112	(945 262 1712)	1	GEAR 2nd			◆	◆	◆
		(945 262 1612)							
		(945 262 0812)							
		(945 262 0712)							

NOTES :

- [X1] : for gearbox numbered label no 715510
- [X2] : for gearbox numbered label no 715511
- [X3] : for gearboxes numbered label nos 715516-17
- (5) to gearbox number of 235269
- (6) from gearbox number of 235270
- (7) to gearbox number of 344483
- (8) from gearbox number of 344484

GEARBOX G211-16

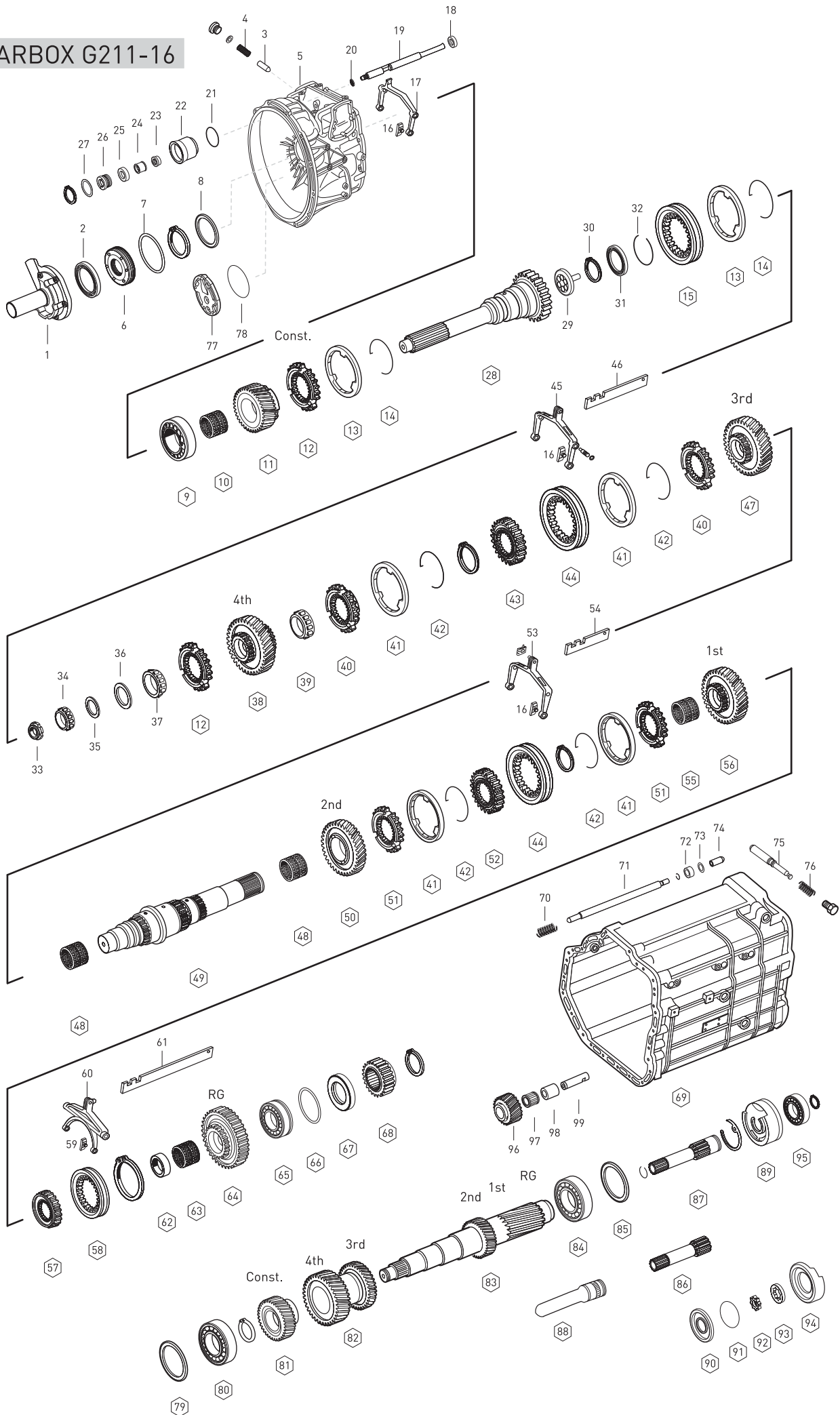


Fig	Oem No	Oem Old No	Pcs	Description	Sizes	Notes	[X1] : G211-16	[X2] : G211-16	[X3] : G211-16
50	945 262 3112	(389 262 2812)	1	GEAR 2nd			◆	◆	◆
		(389 262 2512)							
51	945 262 5534		2	ENGAGING RING			◆	◆	◆
51	945 262 0434	(389 262 0034)	2	ENGAGING RING			◆	◆	◆
52	389 262 2535	(945 262 0135)	1	GUIDE SLEEVE			◆	◆	◆
53	945 260 3630	(945 260 3030)	1	SHIFTING FORK			◆		
53	945 260 0330	(945 260 0230)	1	SHIFTING FORK			◆	◆	◆
54	945 265 1904	(945 265 1704)	1	SHIFTING ROD			◆		
54	945 265 1304	(945 265 1204)	1	SHIFTING ROD			◆	◆	◆
		(945 265 0304)							
55	018 981 8110	(018 981 7610)	1	NEEDLE CAGE		[8]	◆	◆	◆
55	017 981 0210	(019 981 0910)	1	NEEDLE CAGE		[7]	◆	◆	◆
		(012 981 9210)							
		(008 981 8310)							
		(019 981 4410)							
56	389 262 2711	(945 262 3111)	1	GEAR 1st			◆	◆	◆
		(945 262 0811)							
		(389 262 2011)							
		(945 260 1608)							
		(389 260 6108)							
57	389 262 0135		1	HUB			◆	◆	◆
57	389 262 3935		1	HUB		[9]	◆		
57	945 262 3835		1	HUB		[10]	◆		
58	389 262 1823	(389 262 0923)	1	ENGAGING SLEEVE		[9][10]	◆		
58	389 262 1723	(389 262 0023)	1	ENGAGING SLEEVE			◆	◆	◆
59	947 265 0249	(945 265 0149)	2	SLIDING PAD			◆	◆	◆
60	945 260 0430		1	SHIFTING FORK			◆	◆	◆
61	945 265 3004		1	SHIFTING ROD			◆		
61	945 265 1004	(945 265 0104)	1	SHIFTING ROD			◆	◆	◆
61	945 265 1104	(945 265 0204)	1	SHIFTING ROD			◆		
62	389 262 0150		1	BEARING RACE			◆	◆	◆
62	389 262 2550	(389 262 1650)	1	BEARING RACE			◆	◆	◆
		(389 262 0050)							
63	013 981 2610	(013 981 1810)	1	NEEDLE CAGE			◆	◆	◆
63	009 981 1510	(017 981 7810)	1	NEEDLE CAGE			◆	◆	◆
64	960 262 0033		1	REVERSE GEAR			◆		
64	930 262 0233		1	REVERSE GEAR				◆	◆
64	945 262 3233	(389 262 2033)	1	REVERSE GEAR			◆	◆	◆
64	945 262 4433		1	REVERSE GEAR		[10]	◆		
64	945 262 3333	(389 262 2133)	1	REVERSE GEAR		[9]	◆		
65	016 981 1305	(014 981 7505)	1	ROLLER BEARING	60X130X30mm		◆	◆	◆

NOTES :

- [X1] : for gearbox numbered label no 715510
- [X2] : for gearbox numbered label no 715511
- [X3] : for gearboxes numbered label nos 715516-17
- [7] to gearbox number of 344483
- [8] from gearbox number of 344484
- [9] to gearbox number of 467535
- [10] from gearbox number of 467536

GEARBOX G211-16

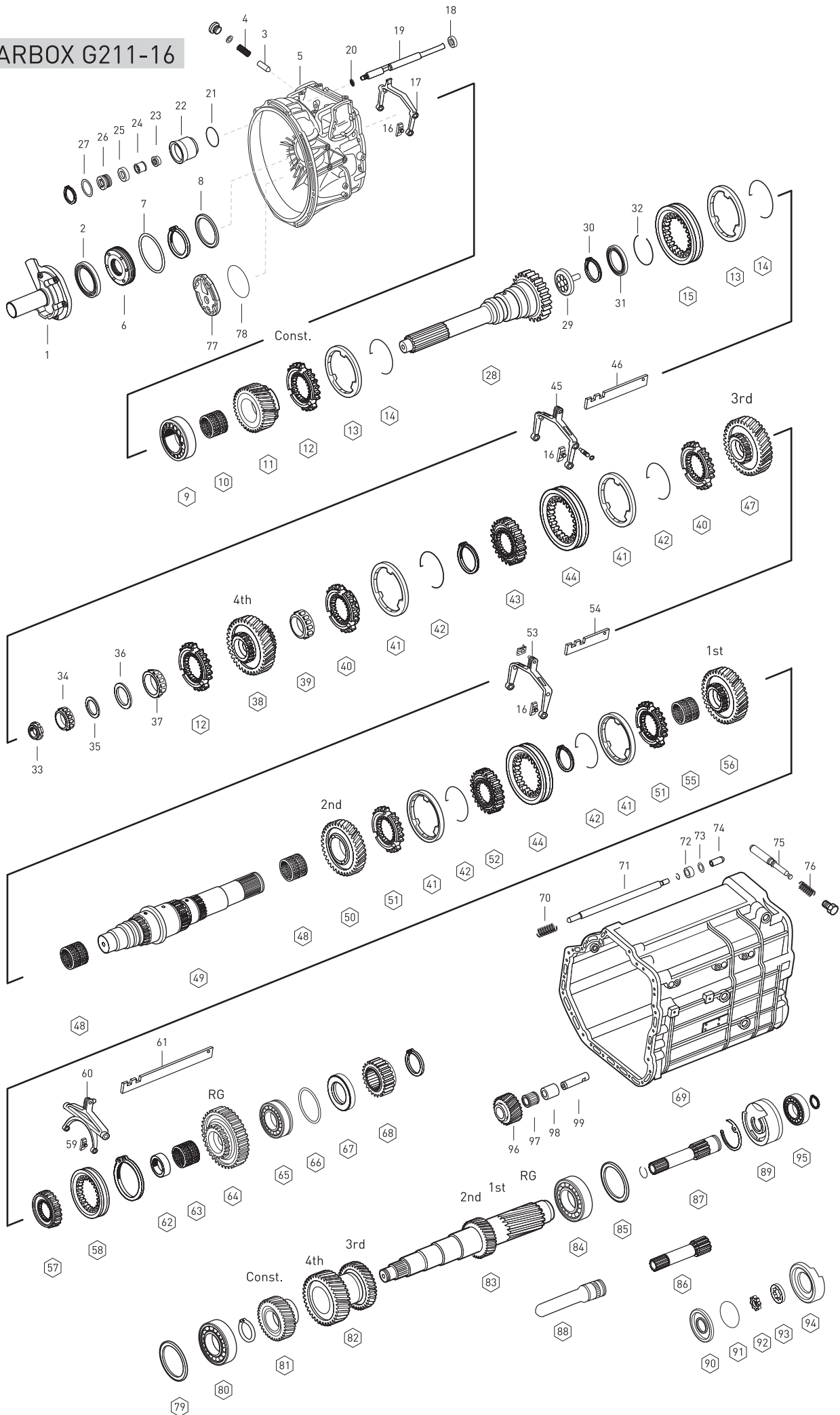


Fig	Oem No	Oem Old No	Pcs	Description	Sizes	Notes	[X1] : G211-16	[X2] : G211-16	[X3] : G211-16
66	389 262 3552		1	SHIM	0.10mm		◆	◆	◆
66	389 262 3652		1	SHIM	0.15mm		◆	◆	◆
66	389 262 3752		1	SHIM	0.20mm		◆	◆	◆
66	389 262 3852		1	SHIM	0.40mm		◆	◆	◆
66	389 262 3952		1	SHIM	0.80mm		◆	◆	◆
67	945 262 0152	(945 262 0052)	1	THRUST WASHER			◆	◆	◆
68	945 262 0909	(389 262 0809)	1	SUN GEAR			◆	◆	◆
		(389 262 0909)							
69	945 261 5226		1	HOUSING				◆	
69	945 261 3126		1	HOUSING				◆	
69	945 261 5626		1	HOUSING			◆		
69	945 261 4826		1	HOUSING			◆		
69	945 261 3226	(945 261 8803)	1	HOUSING			◆		
		(945 261 8603)							
69	945 260 8211	(945 260 9911)	1	HOUSING			◆		◆
		(945 260 8111)							
		(945 261 4103)							
		(945 261 4803)							
		(945 261 7803)							
		(945 261 8303)							
		(945 261 7203)							
		(945 261 4603)							
		(945 261 6803)							
		(945 261 3203)							
		(945 261 5403)							
69	945 261 3103	(945 261 3003)	1	HOUSING			◆		◆
		(945 261 4003)							
70	389 993 0501		1	SPRING			◆		
71	945 268 0225		1	SHIFTING ROD			◆	◆	◆
72	389 268 0051		1	SPACER RING			◆	◆	◆
73	000988 006 019		1	FITTED WASHER	0.10mm		◆	◆	◆
73	000988 006 020		1	FITTED WASHER	0.20mm		◆	◆	◆
73	000988 006 021		1	FITTED WASHER	0.30mm		◆	◆	◆
73	000988 006 013		1	FITTED WASHER	0.50mm		◆	◆	◆
73	000988 006 001		1	FITTED WASHER	1.00mm		◆	◆	◆
74	389 268 0674		1	PIN			◆	◆	◆
75	945 268 0374		1	PIN			◆		
75	389 267 0974		1	PIN			◆	◆	◆
75	945 267 0274	(389 267 0274)	1	PIN			◆		
76	389 993 0601		1	SPRING			◆	◆	◆
76	389 993 3401		1	SPRING			◆		

NOTES :

[X1] : for gearbox numbered label no 715510
[X2] : for gearbox numbered label no 715511
[X3] : for gearboxes numbered label nos 715516-17

GEARBOX G211-16

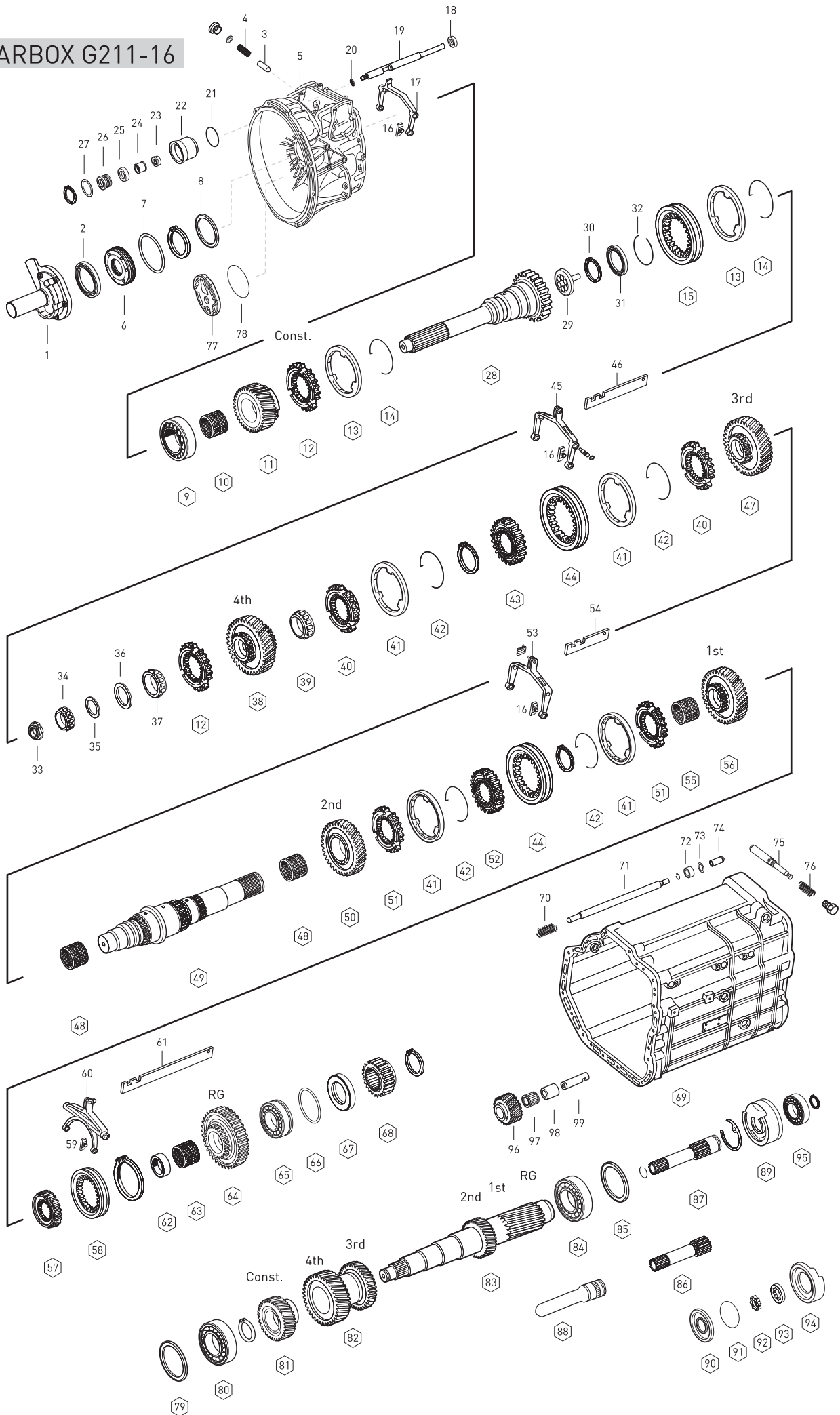


Fig	Oem No	Oem Old No	Pcs	Description	Sizes	Notes	[X1] : G211-16	[X2] : G211-16	[X3] : G211-16
77	976 261 1633	(976 261 1733)	1	COVER		(12)	◆	◆	◆
		(976 261 1833)							
77	976 261 1133	(976 261 0933)	1	COVER		(11)	◆	◆	◆
		(976 261 1033)							
78	028 997 2348	(004 997 2248)	1	O-RING		(12)	◆	◆	◆
78	015 997 4048	(022 997 3448)	1	O-RING		(11)	◆	◆	◆
79	389 263 5352		1	SHIM	0.40mm		◆	◆	◆
79	389 263 5852		1	SHIM	0.55mm		◆	◆	◆
79	389 263 6352		1	SHIM	0.70mm		◆	◆	◆
79	389 263 6852		1	SHIM	0.85mm		◆	◆	◆
79	389 263 7352		1	SHIM	1.00mm		◆	◆	◆
79	389 263 7852		1	SHIM	1.15mm		◆	◆	◆
79	389 263 8352		1	SHIM	1.30mm		◆	◆	◆
80	014 981 1405	(013 981 0605)	1	ROLLER BEARING	51X100X37.5mm		◆	◆	◆
81	945 263 1110	(945 263 0210)	1	CONSTANT GEAR			◆	◆	◆
82	945 263 0213	(945 263 1513)	1	DOUBLE GEAR 3rd/4th			◆	◆	◆
		(945 263 1413)							
		(945 263 1013)							
		(945 263 0513)							
		(945 263 7113)							
		(945 263 7013)							
		(945 263 6913)							
		(945 263 6713)							
83	945 263 0902	(945 263 2902)	1	COUNTER SHAFT			◆	◆	◆
		(389 263 3102)							
		(389 263 2502)							
		(389 263 1602)							
		(389 263 1302)							
83	945 263 0602	(945 263 0102)	1	COUNTER SHAFT			◆	◆	◆
84	012 981 9405	(016 981 1205)	1	ROLLER BEARING	60x130x34mm		◆	◆	◆
85	389 263 0152		1	SHIM	0.10mm		◆	◆	◆
85	389 263 4052		1	SHIM	0.60mm		◆	◆	◆
85	389 263 4152		1	SHIM	0.65mm		◆	◆	◆
85	389 263 4252		1	SHIM	0.70mm		◆	◆	◆
85	389 263 4352		1	SHIM	0.75mm		◆	◆	◆
85	389 263 0552		1	SHIM	0.80mm		◆	◆	◆
85	389 263 4452		1	SHIM	0.85mm		◆	◆	◆
85	389 263 4552		1	SHIM	0.90mm		◆	◆	◆
85	389 263 4652		1	SHIM	0.95mm		◆	◆	◆
85	389 263 4752		1	SHIM	1.00mm		◆	◆	◆
85	389 263 4852		1	SHIM	1.05mm		◆	◆	◆

NOTES :

[X1] : for gearbox numbered label no 715510
[X2] : for gearbox numbered label no 715511
[X3] : for gearboxes numbered label nos 715516-17
(11) to gearbox number of 041830
(12) from gearbox number of 041831

GEARBOX G211-16

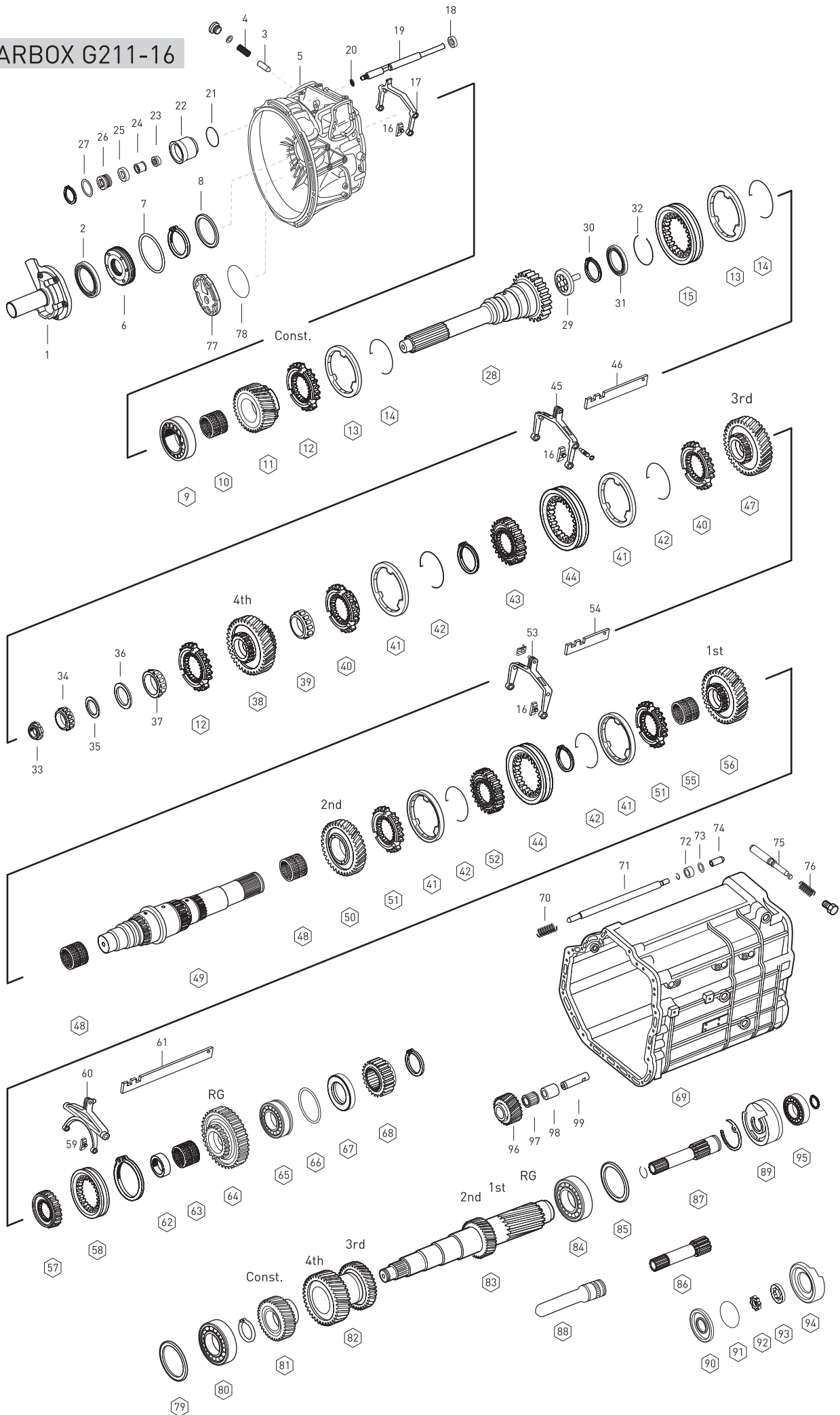


Fig.	Oem No	Oem Old No	Pcs	Description	Sizes	Notes	[X1] : G211-16	[X2] : G211-16	[X3] : G211-16
85	389 263 4952		1	SHIM	1.10mm		◆	◆	◆
85	389 263 5052		1	SHIM	1.15mm		◆	◆	◆
86	947 269 1110	(947 269 1010)	1	OIL PUMP SHAFT			◆	◆	◆
		(945 269 1110)							
		(945 269 1010)							
87	947 264 0005	(389 269 1210)	1	OIL PUMP SHAFT			◆	◆	◆
		(389 269 0310)							
88	945 269 0067		1	OIL COLLECTOR			◆	◆	◆
89	389 260 0690	(389 260 0590)	1	OIL PUMP			◆	◆	◆
90	945 269 0201		1	OIL PUMP COVER			◆	◆	◆
91	029 997 5748		1	OIL SEAL			◆	◆	◆
92	389 269 1406		1	OIL PUMP GEAR			◆	◆	◆
93	389 269 0706		1	ROTOR			◆	◆	◆
94	389 269 3801		1	OIL PUMP HOUSING			◆	◆	◆
95	004 981 8625		1	ROLLER BEARING			◆	◆	◆
96	389 263 1031		1	REV.IDLER GEAR			◆	◆	◆
97	019 981 1310	(012 981 8910)	1	NEEDLE CAGE			◆	◆	◆
98	389 263 0850		1	BUSHING			◆	◆	◆
99	976 263 0030		1	PIN			◆	◆	◆

NOTES :

[X1] : for gearbox numbered label no 715510
[X2] : for gearbox numbered label no 715511
[X3] : for gearboxes numbered label nos 715516-17

GEARBOX G211-16

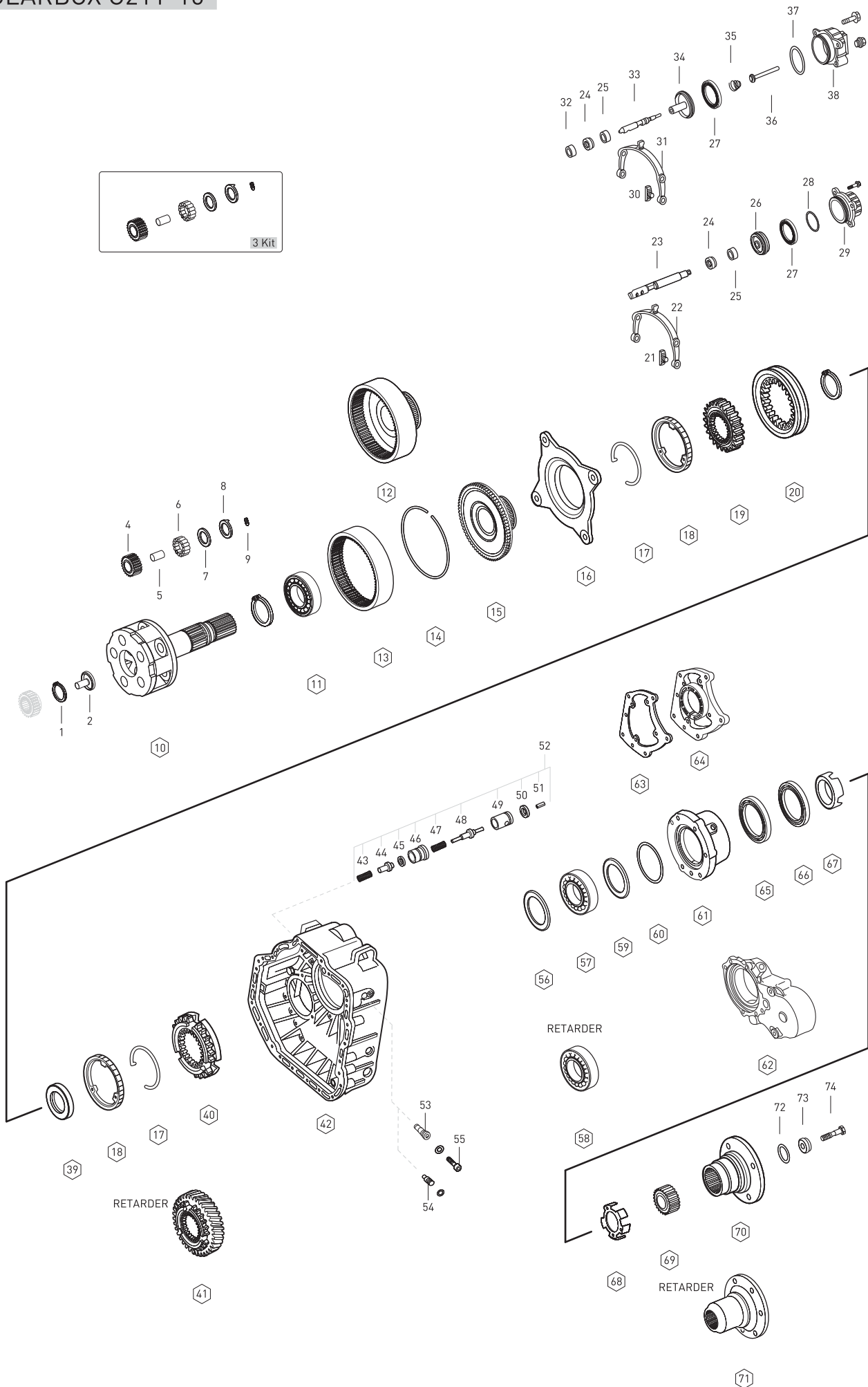


Fig	o.	Oem No	Oem Old No	Pcs.	Description	Sizes	Notes	[X1] : G211-16	[X2] : G211-16	[X3] : G211-16	[X4] : G211-16
1		000472 060 000		1	SNAP RING			◆	◆	◆	◆
2		945 269 0834	(389 269 4734)	1	OIL TUBE			◆	◆	◆	◆
3		655 260 0197		5	PLANETARY GEAR SET			◆	◆	◆	◆
4		945 262 0006		5	PLANETARY GEAR 28 T			◆	◆	◆	◆
5		389 262 0407		5	PLANETARY SHAFT			◆	◆	◆	◆
6		000 981 4386	(000 981 4186)	125	NEEDLE ROLLER	4.995X39.60mm		◆	◆	◆	◆
7		389 262 6462	(389 262 0162)	10	THRUST WASHER	35.35X43.90X1.00mm		◆	◆	◆	◆
8		945 262 0162	(389 262 0262)	10	THRUST WASHER	35.35X65.50X1.25mm		◆	◆	◆	◆
9		000914 006 109		5	THREADED PIN	5.90X13.90mm		◆	◆	◆	◆
10		946 260 3561	(946 260 3661)	1	PLANETARY CARRIER			◆	◆	◆	◆
			(945 260 4561)								
			(945 260 4461)								
11		008 981 1325		1	ROLLER BEARING	90X130X14mm		◆	◆	◆	◆
12		945 262 0108	(389 262 0808)	1	ANNULUS 85 T			◆	◆	◆	◆
13		945 262 0208		1	RING WHEEL 85 T			◆	◆	◆	◆
13		945 262 0808		1	RING WHEEL 85 T			◆			◆
14		389 262 0773		1	LOCK RING			◆	◆	◆	◆
15		389 262 1425		1	CARRIER HUB 85 T			◆	◆	◆	◆
16		947 260 3036	(947 260 0836)	1	FOLLOWER RING		[1]	◆	◆	◆	◆
16		389 260 2036		1	FOLLOWER RING		[2]	◆	◆	◆	◆
17		389 262 0293		2	SPRING			◆	◆	◆	◆
18		947 260 3045	(947 260 0945)	2	SYNCHRONIZING CONE		[1]	◆	◆	◆	◆
18		945 260 0850		2	SYNCHRONIZING CONE		[2]	◆	◆	◆	◆
18		389 262 0537		2	SYNCHRONIZING CONE		[3][2]	◆	◆	◆	◆
19		389 262 4935	(389 262 2035)	1	GUIDE SLEEVE			◆	◆	◆	◆
20		930 262 0623	(945 262 6923)	1	ENGAGING SLEEVE		[1]	◆	◆	◆	◆
20		945 262 6623	(945 262 2623)	1	ENGAGING SLEEVE		[2]	◆	◆	◆	◆
			(945 262 0823)								
			(389 262 3823)								
			(389 262 3623)								
			(389 262 1623)								
21		389 265 2449		2	SLIDING PAD		[2]	◆	◆	◆	◆
22		947 265 1701	(947 265 1901)	1	SHIFTING FORK		[2]	◆	◆	◆	◆
			(930 265 0001)								
			(389 265 0901)								
			(389 265 0201)								
23		389 267 3417		1	SHIFTING ROD			◆	◆	◆	◆
23		389 267 7217	(389 267 3917)	1	SHIFTING ROD			◆	◆	◆	◆
24		000 267 0197	(000 267 0397)	1	FLANGE PACKING			◆	◆	◆	◆
25		387 267 0650		1	BUSHING			◆	◆	◆	◆
26		389 267 1018	(389 267 0118)	1	PISTON		[4]	◆	◆	◆	◆

NOTES :

- [X1] : for gearbox numbered label no 715510
- [X2] : for gearbox numbered label no 715511
- [X3] : for gearbox numbered label no 715516
- [X4] : for gearbox numbered label no 715517
- [1] from gearbox number of 366887
- [2] to gearbox number of 366886
- [3] to gearbox number of 344992
- [4] to gearbox number of 291690

GEARBOX G211-16

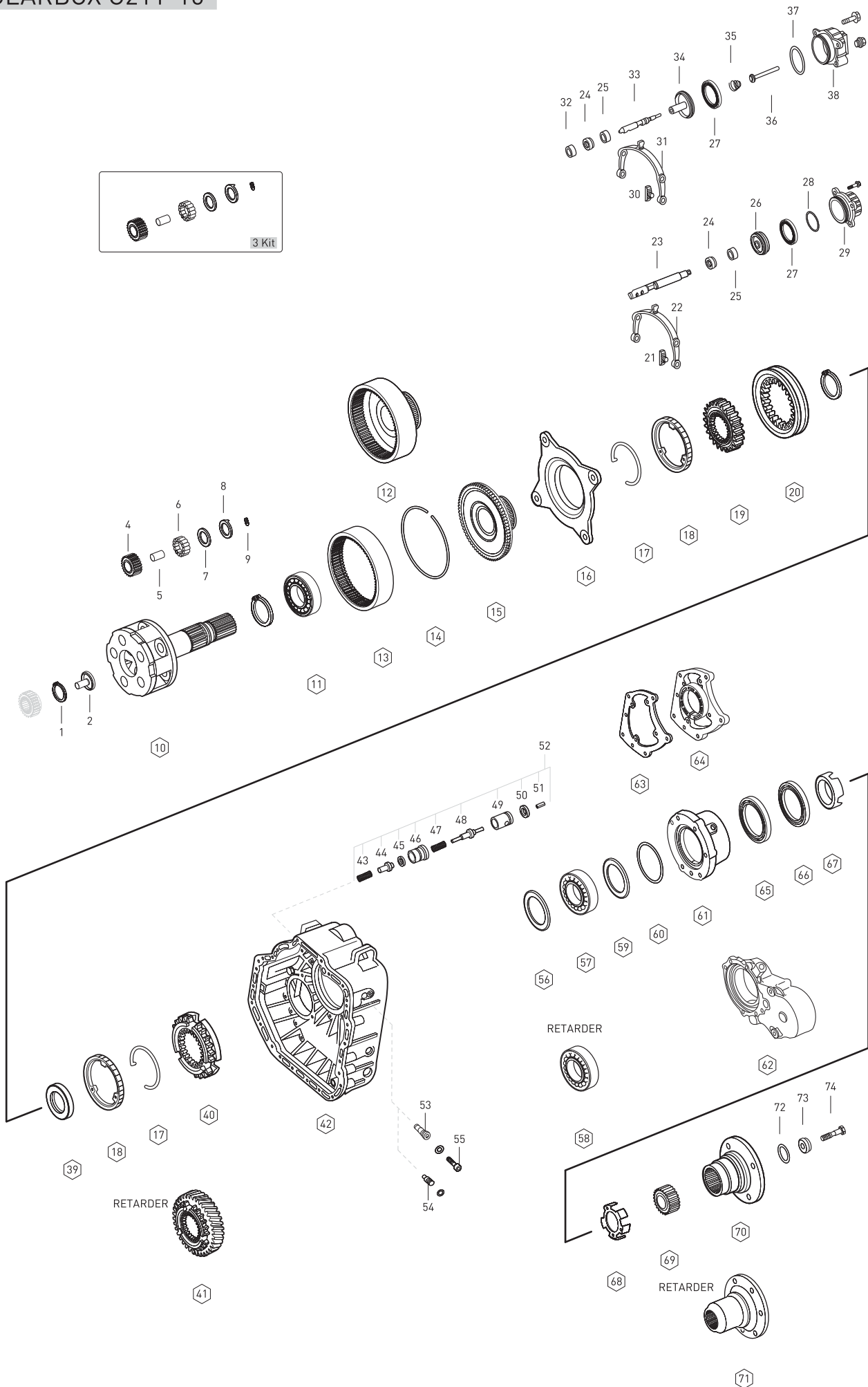


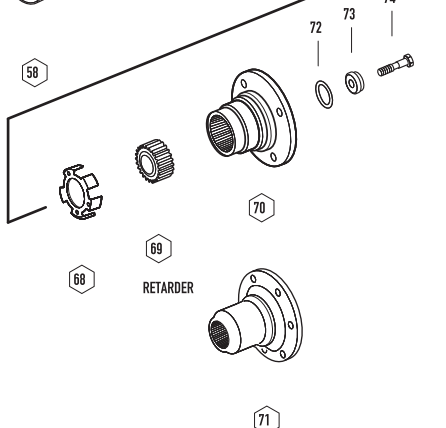
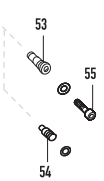
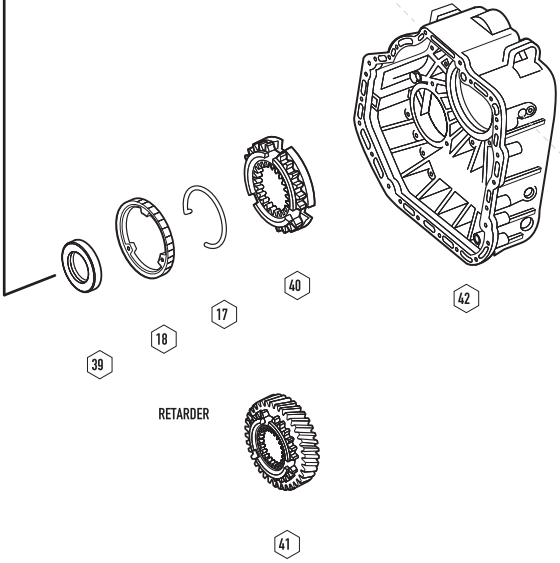
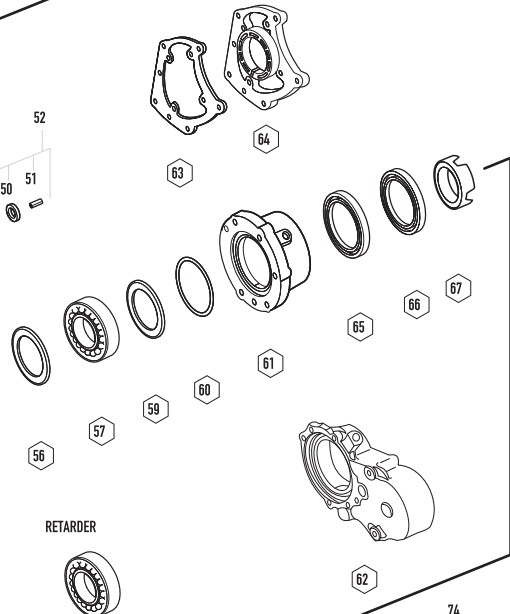
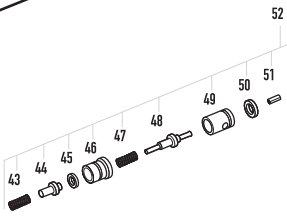
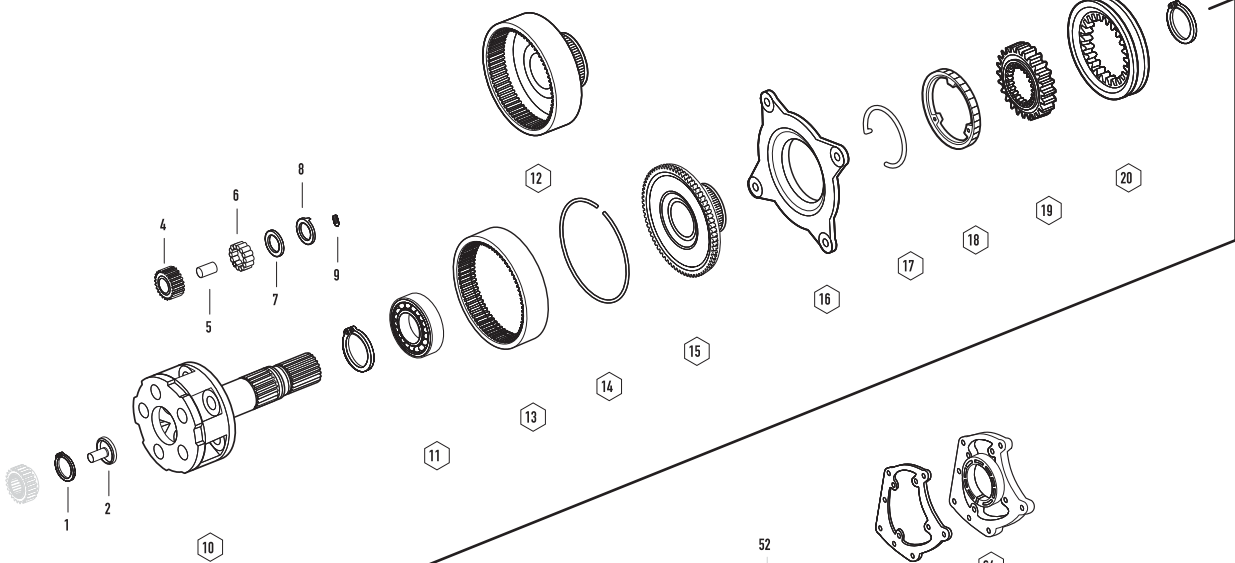
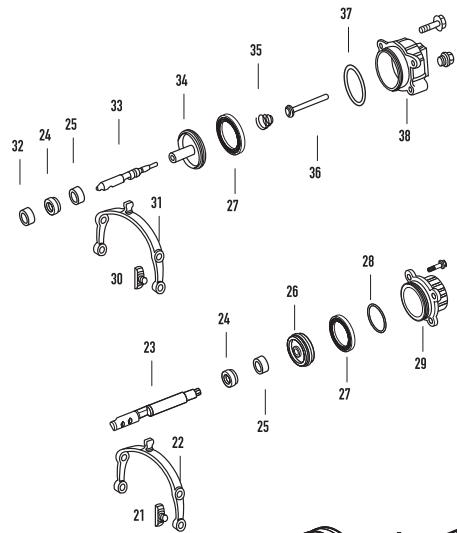
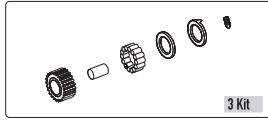
Fig.	Oem No	Oem Old No	Pcs	Description	Sizes	Notes	[X1] : G211-16	[X2] : G211-16	[X3] : G211-16	[X4] : G211-16
27	024 997 8347	(020 997 6747)	1	SEAL RING			◆	◆	◆	◆
		(014 997 3647)								
		(014 997 5147)								
28	013 997 7548		1	O-RING	89.5X3.0mm		◆	◆	◆	◆
29	945 267 1119	(389 267 2919)	1	SHIFTING CYLINDER			◆	◆	◆	◆
		(389 267 1319)								
		(389 267 1419)								
		(389 267 4219)								
30	947 265 0349	(389 265 2749)	2	SLIDING PAD		(1)	◆	◆	◆	◆
31	947 265 2701	(947 265 2601)	1	SHIFTING FORK		(1)	◆	◆	◆	◆
32	000 992 7703	(389 267 2250)	1	BUSHING			◆	◆	◆	◆
33	930 267 0217	(945 267 2217)	1	SHIFTING ROD			◆			◆
		(945 267 2117)								
33	930 260 1189	(930 260 0389)	1	SHIFTING ROD			◆			
33	930 260 2889	(389 267 7617)	1	SHIFTING ROD			◆	◆		
		(389 267 6917)								
33	930 260 1589	(930 260 0789)	1	SHIFTING ROD			◆	◆		
33	930 260 2789	(389 267 7317)	1	SHIFTING ROD			◆	◆	◆	◆
33	930 260 1489	(930 260 0689)	1	SHIFTING ROD			◆	◆	◆	◆
		(930 260 1689)								
		(930 260 0889)								
33	930 260 2589	(389 267 3517)	1	SHIFTING ROD			◆	◆	◆	◆
34	930 267 0618		1	PISTON			◆			
34	945 267 0718		1	PISTON			◆			
35	008 993 0801		1	SPRING			◆			
35	000 993 6705		1	SPRING			◆			
36	000 543 5785		1	PIN			◆			
36	000 543 5485	(000 543 5185)	1	PIN			◆			
37	017 997 6545		1	O-RING	96.0X1.5mm		◆	◆	◆	◆
38	945 267 1319	(945 267 1619)	1	SHIFTING CYLINDER		(5)	◆	◆	◆	◆
38	945 267 1219	(945 267 1019)	1	SHIFTING CYLINDER		(6)	◆			
		(945 267 0519)								
39	389 262 0251		1	SPACER RING			◆	◆	◆	◆
40	945 262 3834		1	ENGAGING RING		(1)	◆	◆	◆	◆
40	945 262 1234	(389 262 9234)	1	ENGAGING RING		(9)[2]	◆	◆	◆	◆
40	389 262 4434		1	ENGAGING RING		(7)	◆	◆		
41	930 264 0320	(945 264 0520)	1	ENGAGING RING	RETARDER	(1)	◆			
41	930 264 0120		1	ENGAGING RING	RETARDER	(2)	◆	◆		
41	945 264 0130		1	ENGAGING RING	RETARDER	(2)	◆	◆		
41	389 264 0730	(389 264 0430)	1	ENGAGING RING	RETARDER	(8)	◆	◆	◆	◆
42	945 260 6812		1	HOUSING			◆	◆	◆	◆

NOTES :

- [X1] : for gearbox numbered label no 715510
- [X2] : for gearbox numbered label no 715511
- [X3] : for gearbox numbered label no 715516
- [X4] : for gearbox numbered label no 715517
- (1) from gearbox number of 366887
- (2) to gearbox number of 366886
- (5) to gearbox number of 117884
- (6) from gearbox number of 117885
- (7) to gearbox number of 380570
- (8) to gearbox number of 239189
- (9) from gearbox number of 380571

G211-16

GEARBOX G211-16



71

Fig.	o.	Oem No	Oem Old No	Pcs	Description	Sizes	Notes	[X1] : G211-16	[X2] : G211-16	[X3] : G211-16	[X4] : G211-16
42		945 261 4903	(945 261 9803)	1	HOUSING			◆	◆	◆	◆
			(945 261 4503)								
42		945 261 1403	(945 261 0703)	1	HOUSING			◆	◆	◆	◆
42		930 260 1811		1	HOUSING			◆			
42		945 260 6912		1	HOUSING			◆			
42		930 260 2411		1	HOUSING			◆			
42		930 260 1511	(930 260 1411)	1	HOUSING			◆			◆
42		945 261 3826	(945 261 4303)	1	HOUSING			◆	◆		
			(945 261 0426)								
			(945 261 4703)								
			(945 261 2803)								
42		945 261 3503	(945 261 0326)	1	HOUSING			◆			
			(945 261 3403)								
42		945 261 1603	(945 261 0803)	1	HOUSING			◆			
42		945 261 2703	(945 261 3603)	1	HOUSING			◆	◆	◆	◆
			(945 261 2203)								
			(945 261 2103)								
			(945 261 2003)								
43		389 993 5301		1	SPRING			◆	◆	◆	◆
44		389 269 1026	(389 269 0926)	1	SELECTOR VALVE			◆	◆	◆	◆
45		013 997 0148		1	O-RING	13.3X2.4mm		◆	◆	◆	◆
46		389 269 1444	(389 269 0744)	1	VALVE INSERT			◆	◆	◆	◆
			(389 269 0144)								
47		389 993 4401		1	SPRING	11.5X41.9X1.0mm		◆	◆	◆	◆
48		389 269 0826		1	SELECTOR VALVE			◆	◆	◆	◆
49		389 269 0844		1	BALL			◆	◆	◆	◆
50		013 997 0048		1	O-RING	19.2X3.0mm		◆	◆	◆	◆
51		001481 004 001		1	CLAMPING SLEEVE			◆	◆	◆	◆
52		655 260 0157		1	VALVE KIT	[PTO]		◆	◆	◆	◆
53		945 265 1474	(945 265 1774)	2	PIN		[13]	◆	◆	◆	◆
			(389 265 2874)								
54		389 265 0974		2	PIN		[12]	◆	◆	◆	◆
55		007984 008 013		2	SCREW		[12]	◆	◆	◆	◆
56		389 262 7854		1	THRUST WASHER	3.50mm	[7]	◆	◆	◆	◆
57		008 981 5225	(008 981 3025)	1	ROLLER BEARING		[14]	◆	◆	◆	◆
57		008 981 1425		1	ROLLER BEARING			◆	◆	◆	◆
57		004 981 8925		1	ROLLER BEARING		[15]	◆	◆	◆	◆
58		007 981 8701		1	ROLLER BEARING	RETARDER		◆	◆		
58		007 981 8201		1	ROLLER BEARING	RETARDER		◆	◆		
59		389 262 7754		1	SHIM	1.40mm	[7]	◆	◆	◆	◆
59		389 262 5152		1	SHIM	0.80mm	[7]	◆	◆	◆	◆

NOTES :

- [X1] : for gearbox numbered label no 715510
- [X2] : for gearbox numbered label no 715511
- [X3] : for gearbox numbered label no 715516
- [X4] : for gearbox numbered label no 715517
- [7] to gearbox number of 380570
- [12] to gearbox number of 490748
- [13] from gearbox number of 490749
- [14] from gearbox number of 505542
- [15] to gearbox number of 505541

GEARBOX G211-16

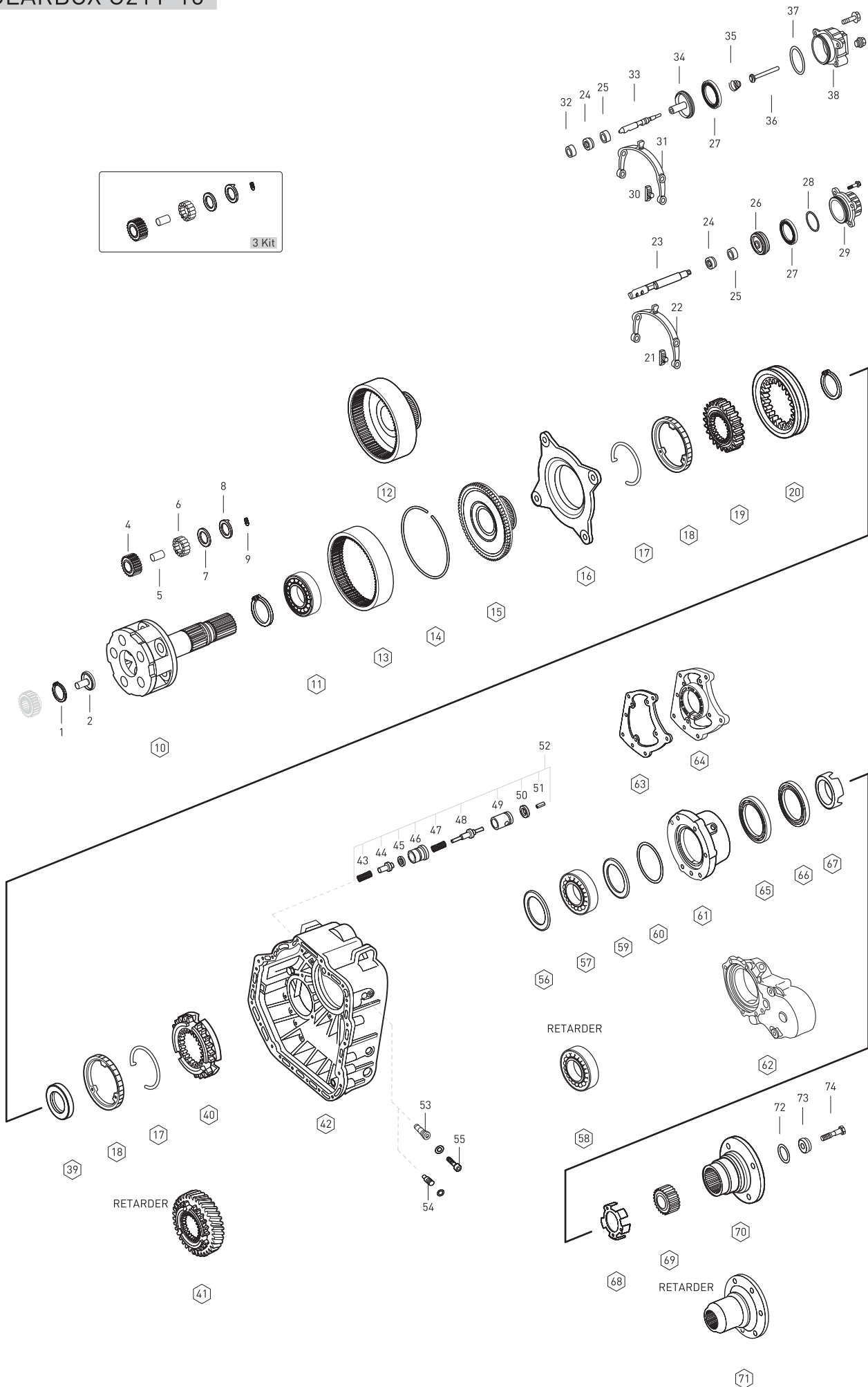


Fig	o.	Oem No	Oem Old No	Pcs	Description	Sizes	Notes	[X1] : G211-16	[X2] : G211-16	[X3] : G211-16	[X4] : G211-16
59		389 262 5052		1	SHIM	0.40mm	(7)	◆	◆	◆	◆
59		389 262 7654		1	SHIM	0.25mm	(7)	◆	◆	◆	◆
59		389 262 4952		1	SHIM	0.20mm	(7)	◆	◆	◆	◆
59		389 262 4852		1	SHIM	0.15mm	(7)	◆	◆	◆	◆
59		389 262 4752		1	SHIM	0.10mm	(7)	◆	◆	◆	◆
60		020 997 8548	(015 997 2848)	1	O-RING	149.5X3.0mm		◆	◆	◆	◆
61		389 261 1920	(389 261 0520)	1	COVER			◆	◆	◆	◆
			(389 261 0420)								
61		930 261 0420		1	COVER			◆			◆
61		930 261 0520	(389 261 2220)	1	COVER			◆	◆	◆	◆
			(389 261 2020)								
			(389 261 1820)								
62		389 261 1120		1	COVER			◆			
63		945 261 0280		1	GASKET	(PTO)		◆	◆	◆	◆
63		945 261 0080	(389 261 1980)	1	GASKET	(PTO)		◆			
			(389 261 1480)								
			(389 261 0780)								
64		945 261 1033		1	COVER	(PTO)		◆	◆	◆	◆
64		389 261 2433	(389 261 1033)	1	COVER	(PTO)		◆			
			(389 261 2333)								
			(389 261 0933)								
65		013 997 5547		1	OIL SEAL			◆	◆	◆	◆
65		013 997 7247		1	OIL SEAL			◆	◆	◆	◆
65		014 997 1947		1	OIL SEAL			◆	◆	◆	◆
65		015 997 6647		1	OIL SEAL			◆			
65		015 997 6447		1	OIL SEAL			◆	◆	◆	◆
66		015 997 4247		1	OIL SEAL			◆	◆	◆	◆
66		013 997 7347		1	OIL SEAL			◆	◆	◆	◆
66		013 997 5647		1	OIL SEAL			◆	◆	◆	◆
66		017 997 1247		1	OIL SEAL			◆	◆	◆	◆
66		015 997 4247		1	OIL SEAL			◆	◆	◆	◆
67		930 262 0028		1	PULSE STAR		(14)	◆	◆	◆	◆
67		945 262 0228		1	PULSE STAR			◆	◆	◆	◆
67		945 262 0528	(389 260 0150)	1	PULSE STAR		(14)	◆	◆	◆	◆
67		945 262 0628	(389 260 0350)	1	PULSE STAR		(15)	◆	◆	◆	◆
68		387 262 0828	(387 262 0428)	1	PULSE STAR	(PTO)		◆			
69		389 264 0021		1	GEAR	(PTO)		◆			
70		389 262 0545	(945 262 0145)	1	COMPANION FLANGE	4-H, Ø180mm		◆	◆		
70		945 262 0045		1	COMPANION FLANGE	4-H, Ø80mm	{11}{14}	◆	◆	◆	◆
70		389 262 0445		1	COMPANION FLANGE	4-H, Ø180mm	{10}{15}	◆	◆	◆	◆
70		930 262 0145		1	COMPANION FLANGE	4-H, Ø200mm		◆			

NOTES :

- [X1] : for gearbox numbered label no 715510
- [X2] : for gearbox numbered label no 715511
- [X3] : for gearbox numbered label no 715516
- [X4] : for gearbox numbered label no 715517
- (7) to gearbox number of 380570
- (10) to gearbox number of 080586
- (11) from gearbox number of 080587
- (14) from gearbox number of 505542
- (15) to gearbox number of 505541

GEARBOX G211-16

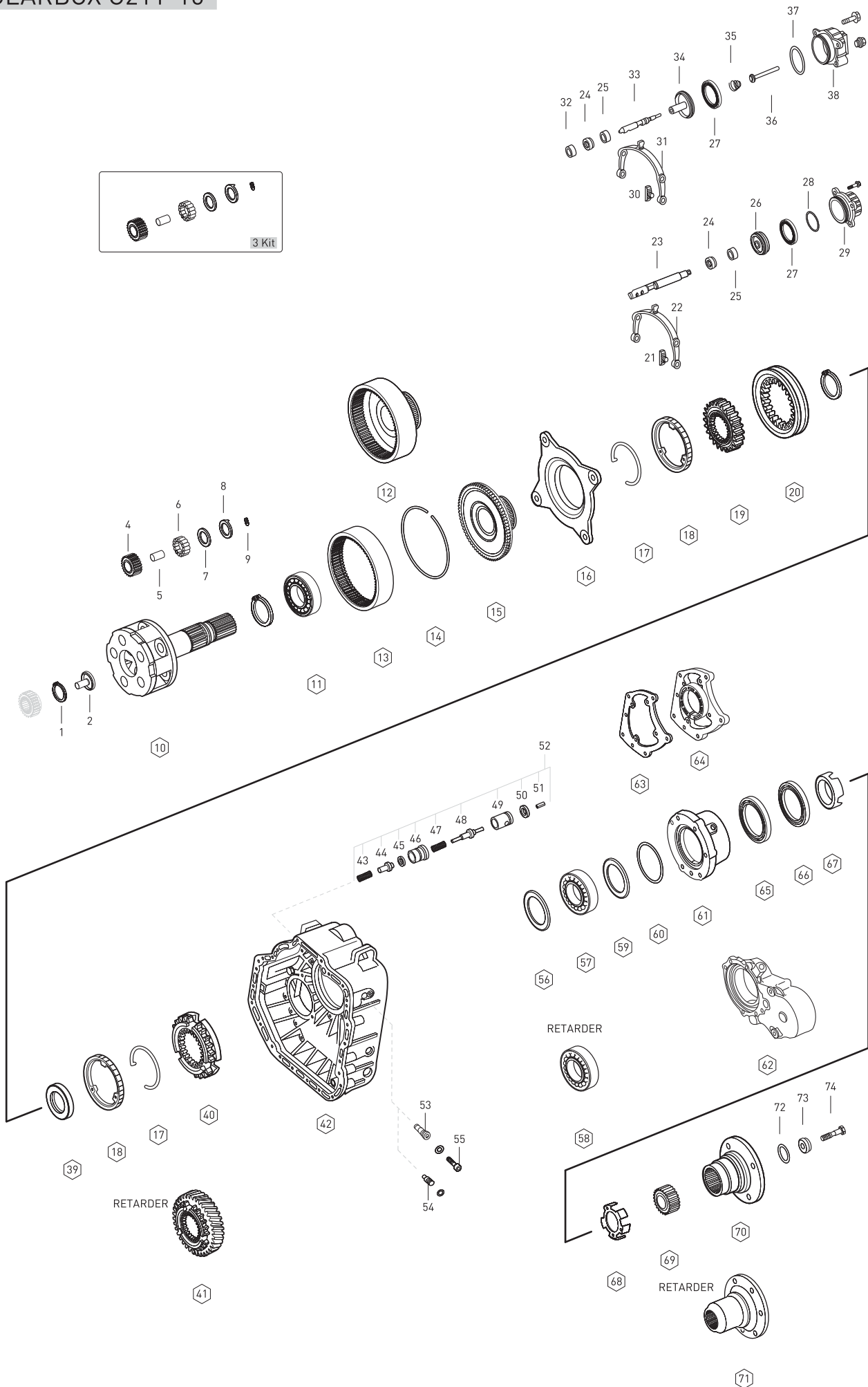


Fig.	o.	Oem No	Oem Old No	Pcs	Description	Sizes	Notes	[X1] : 0211-16	[X2] : 0211-16	[X3] : 0211-16	[X4] : 0211-16
70		930 262 0045		1	COMPANION FLANGE	4-H, Ø180mm		◆			
70		945 262 0245		1	COMPANION FLANGE	4-H, Ø200mm		◆			
70		389 262 0945	(945 262 0345)	1	COMPANION FLANGE	4-H, Ø200mm		◆			
70		389 262 0645		1	COMPANION FLANGE	4-H, Ø200mm		◆			
71		930 262 0245		1	COMPANION FLANGE	RETARDER		◆			
71		387 264 2045	(387 264 1945)	1	COMPANION FLANGE	RETARDER		◆			
72		014 997 5148		1	O-RING			◆	◆	◆	◆
73		945 262 0062	(389 262 0362)	1	THRUST WASHER			◆	◆	◆	◆
74		945 990 0019	(389 990 2019)	1	SCREW	Ø24X80mm		◆	◆	◆	◆
			(389 990 0219)								

NOTES :

[X1] : for gearbox numbered label no 715510
[X2] : for gearbox numbered label no 715511
[X3] : for gearbox numbered label no 715516
[X4] : for gearbox numbered label no 715517

GEARBOX G211-16

SYNCHRONIZER KIT CONST.
NEW MODEL

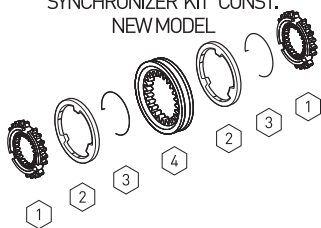


Fig.	o. Oem No	Oem Old No	Pcs	Description
	2106218		Kit	SYNCHRONIZER KIT Const
1	945 262 3634		2	ENGAGING RING
2	945 260 2245 (947 260 0545)		2	SYNCHRONIZING CONE
3	387 262 1093		2	SPRING
4	945 262 6823 (945 262 6423)		1	ENGAGING SLEEVE

SYNCHRONIZER KIT CONST.

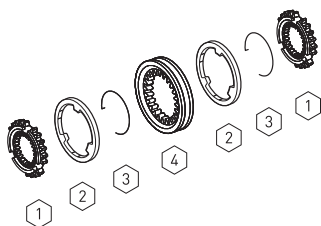


Fig.	o. Oem No	Oem Old No	Pcs	Description
	2106219		Kit	SYNCHRONIZER KIT Const
1	389 262 5434 (945 262 0134)		2	ENGAGING RING
		(945 262 0334)		
2	389 262 0637		2	SYNCHRONIZING CONE
3	387 262 1093		2	SPRING
4	945 262 2823 (945 262 0323)		1	ENGAGING SLEEVE
		(945 262 0623)		
		(389 262 4123)		
		(389 262 2723)		

SYNCHRONIZER KIT 3rd/4th
NEW MODEL

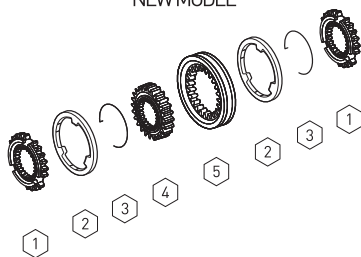


Fig.	o. Oem No	Oem Old No	Pcs	Description
	2106211		Kit	SYNCH.KIT 3rd/4th
1	945 262 5434		2	ENGAGING RING
2	947 260 1945 (946 262 6137)		2	SYNCHRONIZING CONE
		(947 260 0745)		
3	387 262 0893		2	SPRING
4	389 262 4735 (389 262 4635)		1	GUIDE SLEEVE
5	945 262 6523		1	ENGAGING SLEEVE

SYNCHRONIZER KIT 3rd/4th

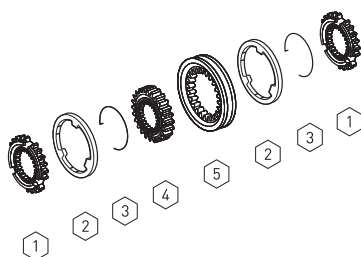


Fig.	o. Oem No	Oem Old No	Pcs	Description
	2106212		Kit	SYNCH.KIT 3rd/4th
1	945 262 0534 (389 262 5034)		2	ENGAGING RING
2	389 262 0737		2	SYNCHRONIZING CONE
3	387 262 0893		2	SPRING
4	389 262 4735 (389 262 4635)		1	GUIDE SLEEVE
5	945 262 2723 (945 262 0423)		1	ENGAGING SLEEVE
		(389 262 2623)		

SYNCHRONIZER KIT 1st/2nd
NEW MODEL

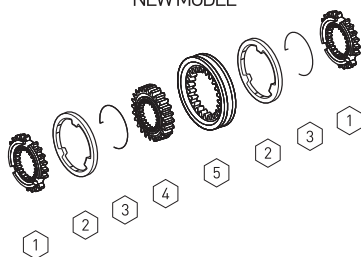


Fig.	o. Oem No	Oem Old No	Pcs	Description
	2106214		Kit	SYNCH.KIT 1st/2nd
1	945 262 5534		2	ENGAGING RING
2	947 260 1945 (946 262 6137)		2	SYNCHRONIZING CONE
		(947 260 0745)		
3	387 262 0893		2	SPRING
4	389 262 2535 (945 262 0135)		1	GUIDE SLEEVE
5	945 262 6523		1	ENGAGING SLEEVE

Fig.	o. Oem No	Oem Old No	Pcs.	Description
	2106215		Kit	SYNCH.KIT 1st/2nd
1	945 262 0434	(389 262 0034)	2	ENGAGING RING
2	389 262 0737		2	SYNCHRONIZING CONE
3	387 262 0893		2	SPRING
4	389 262 2535	(945 262 0135)	1	GUIDE SLEEVE
5	945 262 2723	(945 262 0423)	1	ENGAGING SLEEVE
		(389 262 2623)		

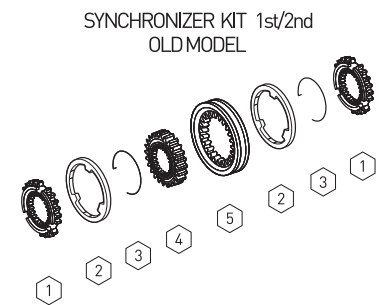


Fig.	o. Oem No	Oem Old No	Pcs.	Description
	2106216		Kit	SYNCH.KIT PLANETARY
1	947 260 3036	(947 260 0836)	1	FOLLOWER RING
2	389 262 0293		2	SPRING
3	947 260 3045	(947 260 0945)	2	SYNCHRONIZING CONE
4	389 262 4935	(389 262 2035)	1	GUIDE SLEEVE
5	930 262 0623	(945 262 6923)	1	ENGAGING SLEEVE
6	945 262 3834		1	ENGAGING RING

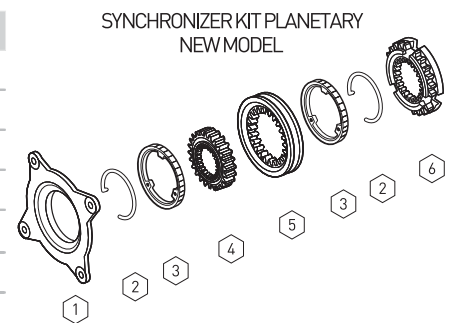


Fig.	o. Oem No	Oem Old No	Pcs.	Description
	2106204		Kit	SYNCH.KIT PLANETARY
1	389 262 0293		2	SPRING
2	947 260 3045	(947 260 0945)	2	SYNCHRONIZING CONE
3	389 262 4935	(389 262 2035)	1	GUIDE SLEEVE
4	930 262 0623	(945 262 6923)	1	ENGAGING SLEEVE

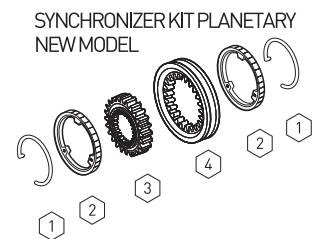


Fig.	o. Oem No	Oem Old No	Pcs.	Description
	2106217		Kit	SYNCH.KIT PLANETARY
1	389 260 2036		1	FOLLOWER RING
2	389 262 0293		2	SPRING
3	389 262 0537		2	SYNCHRONIZING CONE
4	389 262 4935	(389 262 2035)	1	GUIDE SLEEVE
5	945 262 6623	(945 262 2623)	1	ENGAGING SLEEVE
		(945 262 0823)		
		(389 262 3823)		
		(389 262 3623)		
		(389 262 1623)		
6	945 262 1234	(389 262 9234)	1	ENGAGING RING

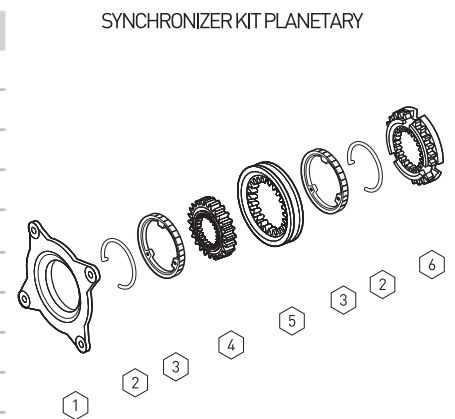
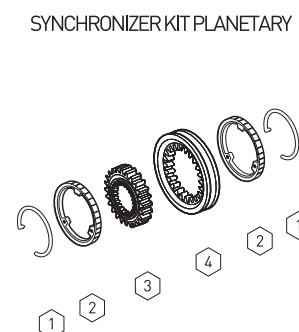


Fig.	o. Oem No	Oem Old No	Pcs	Description
	2106194		Kit	SYNCH.KIT PLANETARY
1	389 262 0293		2	SPRING
2	389 262 0537		2	SYNCHRONIZING CONE
3	389 262 4935	(389 262 2035)	1	GUIDE SLEEVE
4	945 262 6623	(945 262 2623)	1	ENGAGING SLEEVE
		(945 262 0823)		
		(389 262 3823)		
		(389 262 3623)		
		(389 262 1623)		



RETARDER

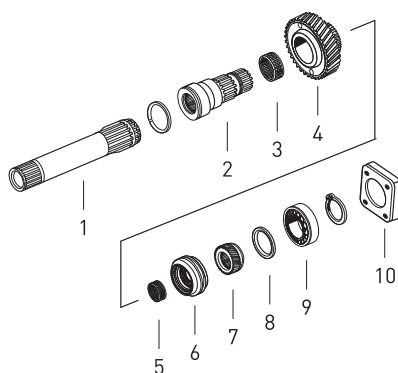


Fig.	. Oem No	Oem Old No	Pcs.	Description
1	387 264 0505		1	INTERM.SHAFT
1	389 264 0105		1	INTERM.SHAFT
1	945 264 0605		1	INTERM.SHAFT
1	945 264 0705		1	INTERM.SHAFT
1	945 264 1405		1	INTERM.SHAFT
2	945 264 0606		1	DRIVE SHAFT
3	010 981 1310		1	NEEDLE CAGE
4	945 264 0020		1	GEAR
5	015 981 9310		1	NEEDLE CAGE
6	389 264 0023		1	SLIDING COLLAR
7	945 264 0046		1	FOLLOWER
8	673 264 0252		1	SHIM (0.10mm)
8	673 264 0352		1	SHIM (0.15mm)
8	673 264 0452		1	SHIM (0.25mm)
8	673 264 0552		1	SHIM (0.30mm)
9	009 981 5301		1	ROLLER BEARING
10	389 264 0111		1	COVER

RETARDER

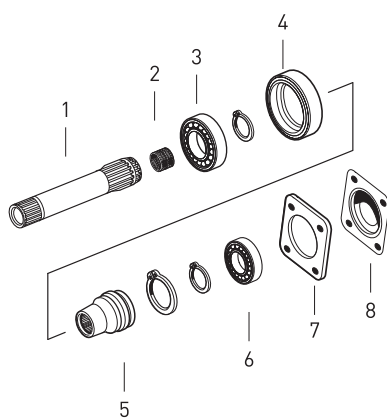


Fig.	. Oem No	Oem Old No	Pcs.	Description
1	945 264 0305		1	INTERM.SHAFT
1	389 264 0505		1	INTERM.SHAFT
1	K21.03493 389 264 0205	(387 264 0405)	1	INTERM.SHAFT
2	013 981 0610		1	NEEDLE CAGE
3	008 981 3225		1	ROLLER BEARING
4	945 264 0687	(389 264 0587)	1	RING
5	389 264 0223		1	SLIDING COLLAR
6	006 981 2525		1	ROLLER BEARING
7	389 264 0780		1	GASKET
8	945 264 0611		1	COVER
8	389 264 0311		1	COVER

Fig.	. Oem No	Oem Old No	Pcs	Description
1	013 981 4705		1	ROLLER BEARING
2	945 264 0406		1	DRIVE SHAFT
2	945 264 0306		1	DRIVE SHAFT
3	019 997 8747		1	O-RING
4	019 997 8647		1	O-RING
5	015 981 0805		1	ROLLER BEARING
6	013 981 4605		1	ROLLER BEARING
7	945 264 0221		1	GEAR
8	945 264 0251		1	THRUST WASHER
9	013 981 0605		1	ROLLER BEARING
10	389 264 0652		1	SHIM (0.10mm)
10	389 264 0752		1	SHIM (0.15mm)
10	389 264 0852		1	SHIM (0.30mm)
10	389 264 0952		1	SHIM (0.50mm)
11	010 997 7445		1	O-RING
12	945 260 0027		1	SPINDLE

P.T.O. (POWER TAKE OFF)
N.M.V. GEARBOX

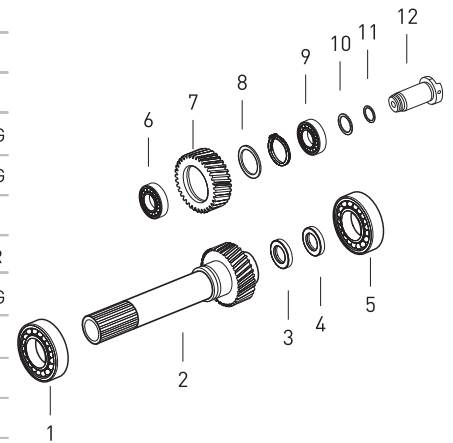
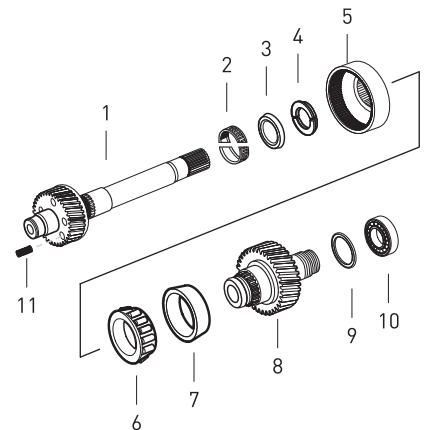


Fig.	. Oem No	Oem Old No	Pcs	Description
1	945 264 0106	(945 264 0506)	1	DRIVE SHAFT P.T.O.
2	011 981 4110	(011 981 4010)	1	NEEDLE BEARING
3	389 264 0073		1	RETAINING RING
4	389 264 0129		1	SPL.RING (3.97mm)
4	389 264 0829		1	SPL.RING (4.12mm)
4	389 264 0929		1	SPL.RING (4.22mm)
4	389 264 0429		1	SPL.RING (4.27mm)
5	945 264 0007		1	DISC SUPPORT
6	017 981 3705	(002 981 4481)	1	INNER RING
7	001 981 9280		1	OUTER RACE
8	945 264 0321		1	GEAR
8	945 264 0421		1	GEAR
9	389 264 1252		1	SHIM (0.05mm)
9	389 264 1352		1	SHIM (0.10mm)
9	389 264 1652		1	SHIM (0.30mm)
9	389 264 1752		1	SHIM (0.50mm)
10	009 981 6705	(009 981 7205)	1	ROLLER BEARING
11	385 993 3701		5	SPRING

P.T.O. (POWER TAKE OFF)
N.M.V. GEARBOX



GEARBOX G231-16

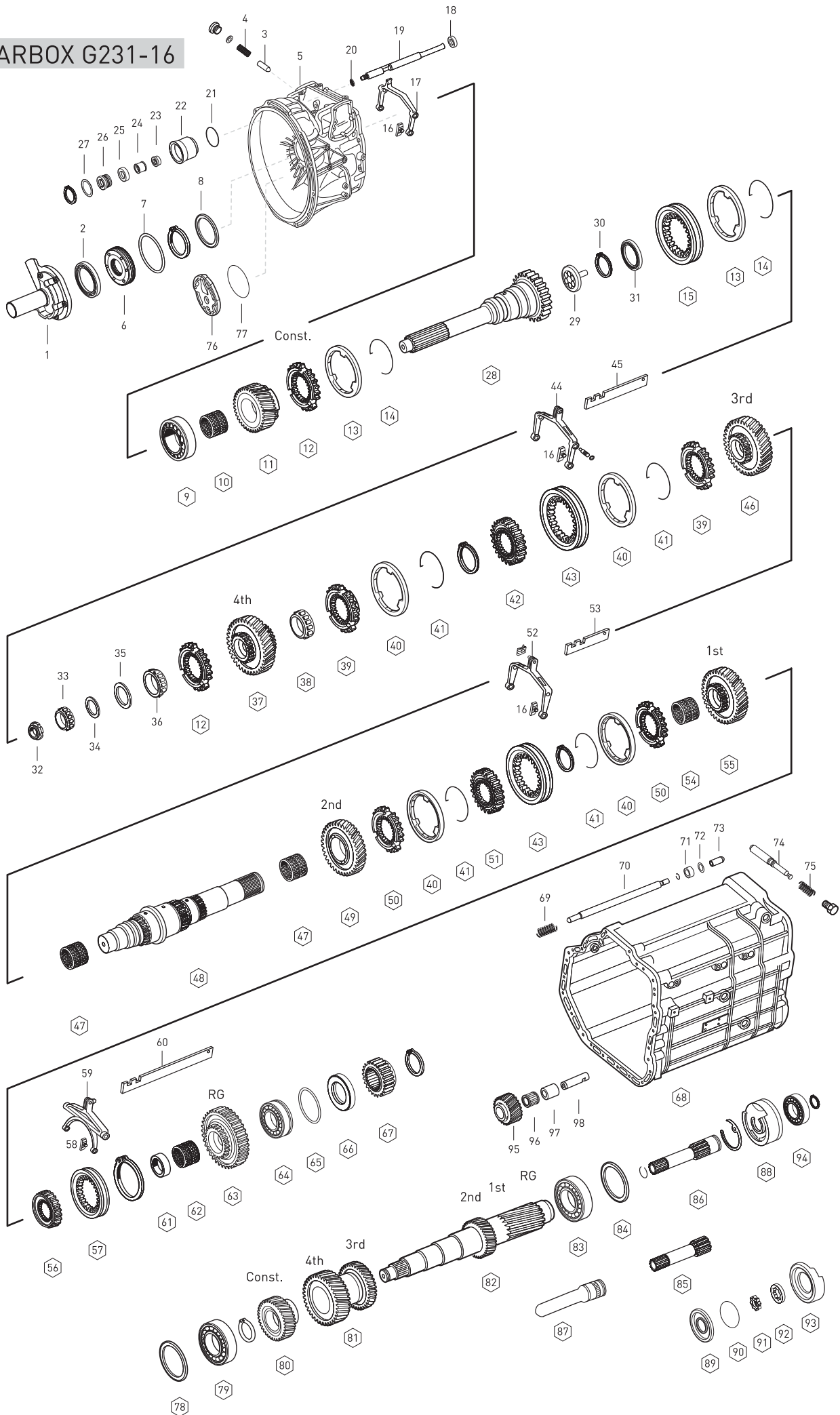


Fig.	o	Oem No	Oem Old No	Pcs.	Description	Sizes	Notes	
1		945 261 1118	(945 261 0118)	1	COVER			◆
			(945 261 0818)					
2		023 997 7847	(019 997 0547)	1	OIL SEAL	56X72X8mm		◆
3		389 267 1174	(387 267 0034)	1	PIN			◆
4		387 993 4401		1	SPRING	9.8X63.3mm		◆
4		387 993 4501		1	SPRING	6.2X63.0mm		◆
5		945 260 8412		1	HOUSING			◆
5		945 260 5411		1	HOUSING			◆
5		945 260 0111		1	HOUSING			◆
5		945 260 2712	(945 260 7211)	1	HOUSING			◆
			(945 260 2212)					
			(945 260 7311)					
5		945 260 4112		1	HOUSING			◆
5		945 260 4811	(945 260 5211)	1	HOUSING			◆
			(945 260 2111)					
6		389 261 0665		1	OIL BAFFLE			◆
7		020 997 7848		1	O-RING	128.0X3.0mm		◆
8		389 262 3055		1	SHIM	0.25mm		◆
8		389 262 3255		1	SHIM	0.31mm		◆
8		389 262 3555		1	SHIM	0.40mm		◆
8		389 262 3855		1	SHIM	0.49mm		◆
8		389 262 4055		1	SHIM	0.55mm		◆
9		014 981 9005	(011 981 1305)	1	ROLLER BEARING	75X140X36mm		◆
10		018 981 8210	(018 981 6410)	1	NEEDLE CAGE	82X90X35mm		◆
11		945 262 7810	(945 262 7710)	1	CONSTANT GEAR			◆
			(945 262 7610)					
			(945 262 7510)					
			(945 262 7410)					
			(945 262 4410)					
			(945 262 2110)					
			(945 262 4510)					
			(945 262 2910)					
			(945 262 4310)					
			(945 262 1410)					
12		945 262 3634		2	ENGAGING RING	157.0mm	(1)	◆
12		389 262 5434	(945 262 0334)	2	ENGAGING RING	157.0mm	(2)	◆
			(945 262 0134)					
13		945 260 2245	(947 260 0545)	2	SYNCHRONIZING CONE	177.0mm	(1)(3)	◆
			(945 262 6337)					
13		945 260 0450		2	SYNCHRONIZING CONE	177.0mm	(2)(4)	◆
13		389 262 0637		2	SYNCHRONIZING CONE	177.0mm	(2)(4)	◆

NOTES :

- [X1] : for gearbox numbered label no 715513
- (1) from gearbox number of 502735
- (2) to gearbox number of 502734
- (3) from gearbox number of 502925
- (4) to gearbox number of 502924

GEARBOX G231-16

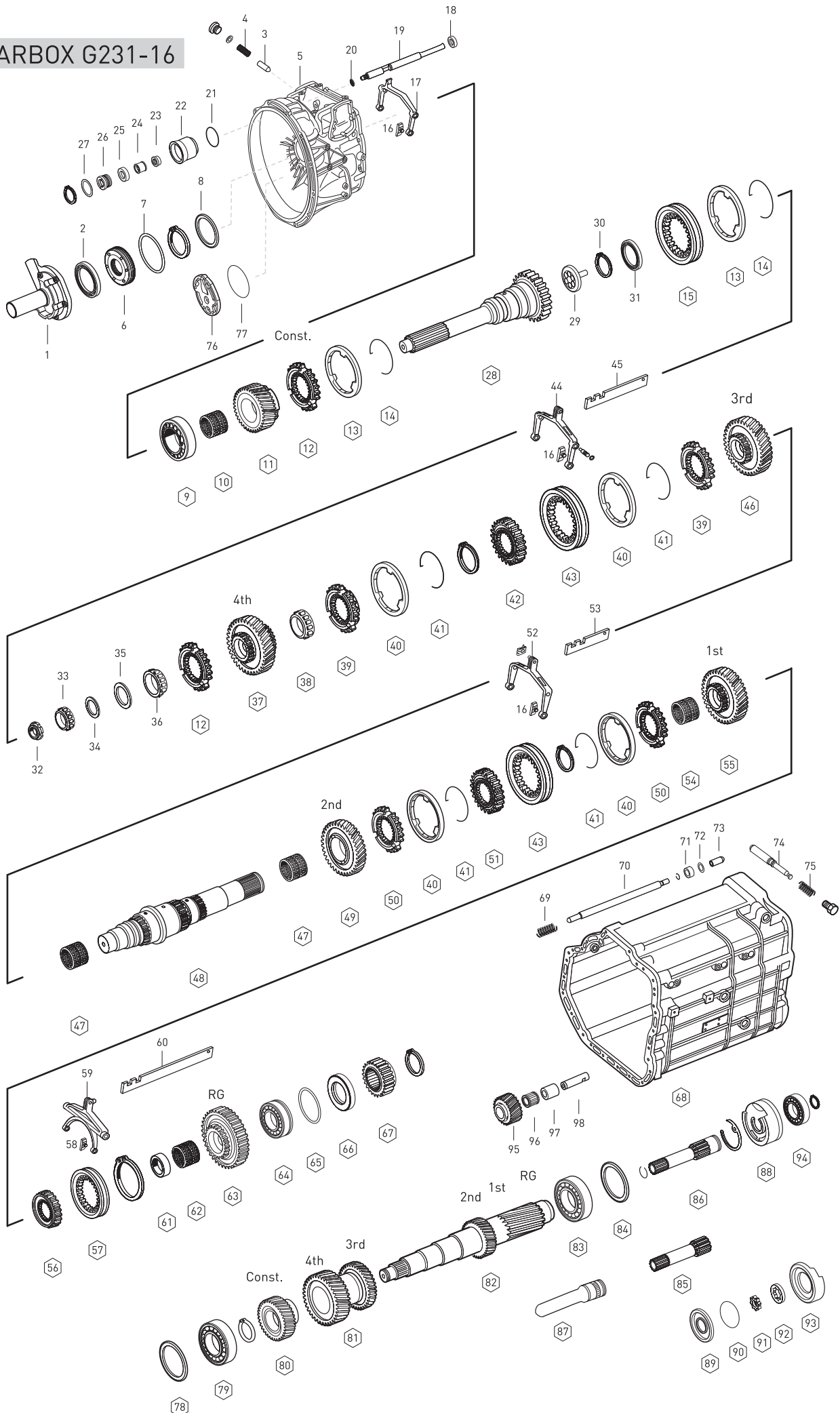


Fig.	Oem No	Oem Old No	Pcs	Description	Sizes	Notes	
14	387 262 1093		2	SPRING			◆
15	945 262 6823	(945 262 6423)	1	ENGAGING SLEEVE		(1)	◆
15	945 262 2823	(945 262 0323)	1	ENGAGING SLEEVE		(2)	◆
		(945 262 0623)					
		(389 262 4123)					
		(389 262 2723)					
16	947 265 0349	(389 265 2749)	6	SLIDING PAD			◆
17	945 265 0001		1	GEAR SHIT FORK			◆
18	389 267 0050	(389 268 0950)	1	BUSHING			◆
19	945 267 0617		1	G.SHIFT RAIL			◆
19	945 267 0217		1	G.SHIFT RAIL			◆
20	387 263 2652		1	SPACER WASHER	0.20mm		◆
20	387 263 2752		1	SPACER WASHER	0.40mm		◆
20	387 263 2852		1	SPACER WASHER	0.60mm		◆
20	387 263 3052		1	SPACER WASHER	1.00mm		◆
21	022 997 4248		1	O-RING			◆
22	945 267 0619		1	CYLINDER			◆
22	945 267 0819	(945 267 0119)	1	CYLINDER			◆
		(945 267 0719)					
		(945 267 0019)					
23	000 267 0197	(000 267 0397)	1	FLANGE PACKING			◆
24	387 267 0650		1	BUSHING			◆
25	012 997 3347	(006 997 6447)	1	DOUBLE PACKING			◆
26	945 267 0218	(387 267 0918)	1	PISTON			◆
		(387 267 0618)					
27	389 262 2555		1	SPACER WASHER	0.70mm		◆
27	389 262 2655		1	SPACER WASHER	0.90mm		◆
27	389 262 3254		1	SPACER WASHER	1.05mm		◆
27	389 262 3354		1	SPACER WASHER	1.10mm		◆
27	389 262 3554		1	SPACER WASHER	1.20mm		◆
27	389 262 2052		1	SPACER WASHER	1.40mm		◆
27	389 262 2355		1	SPACER WASHER	1.80mm		◆
27	389 262 3252		1	SPACER WASHER	2.00mm		◆
27	389 262 3352		1	SPACER WASHER	2.50mm		◆
28	945 262 6403	(945 262 3603)	1	INPUT SHAFT			◆
29	976 269 0034		1	OIL PIPET			◆
30	000 994 9841		1	RETANING RING			◆
31	000 262 9062	(000 262 8662)	1	OIL SEAL			◆
32	945 990 0250		1	NUT		(5)(6)(7)	◆
32	945 990 0150	(945 990 0050)	1	NUT		(8)	◆
33	017 981 1305	(015 981 8505)	1	ROLLER BEARING			◆

NOTES :

[X1] : for gearbox numbered label no 715513

(1) from gearbox number of 502735

(2) to gearbox number of 502734

(5) from gearbox number of 235270

(6) to gearbox number of 344483

(7) from gearbox number of 344484

(8) to gearbox number of 235269

GEARBOX G231-16

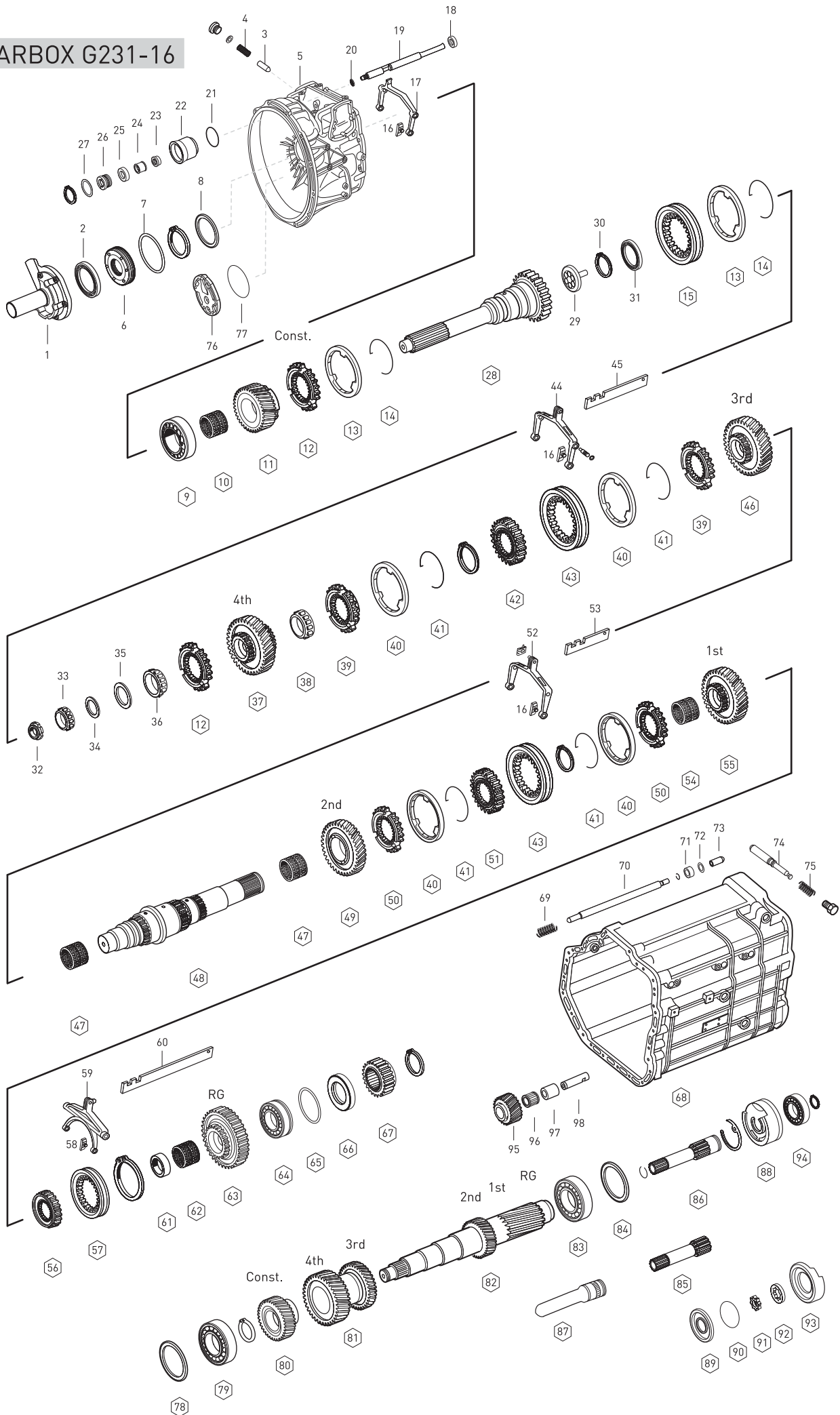


Fig.	Oem No	Oem Old No	Pcs	Description	Sizes	Notes	
34	389 262 2351		1	THRUST WASHER	7.00mm		◆
35	389 262 3352		1	THRUST WASHER	2.50mm		◆
35	389 262 3252		1	THRUST WASHER	2.00mm		◆
35	389 262 3152		1	THRUST WASHER	1.95mm		◆
35	389 262 3052		1	THRUST WASHER	1.90mm		◆
35	389 262 2952		1	THRUST WASHER	1.85mm		◆
35	389 262 2455		1	THRUST WASHER	1.82mm		◆
35	389 262 2355		1	THRUST WASHER	1.79mm		◆
35	389 262 2255		1	THRUST WASHER	1.76mm		◆
35	389 262 2155		1	THRUST WASHER	1.73mm		◆
35	389 262 2055		1	THRUST WASHER	1.67mm		◆
35	389 262 1955		1	THRUST WASHER	1.64mm		◆
35	389 262 1855		1	THRUST WASHER	1.61mm		◆
35	389 262 1755		1	THRUST WASHER	1.58mm		◆
35	389 262 2352		1	THRUST WASHER	1.55mm		◆
35	389 262 1655		1	THRUST WASHER	1.52mm		◆
35	389 262 1555		1	THRUST WASHER	1.49mm		◆
35	389 262 1455		1	THRUST WASHER	1.46mm		◆
35	389 262 1355		1	THRUST WASHER	1.43mm		◆
35	389 262 2052		1	THRUST WASHER	1.40mm		◆
35	389 262 1952		1	THRUST WASHER	1.35mm		◆
35	389 262 2754		1	THRUST WASHER	1.30mm		◆
35	389 262 3654		1	THRUST WASHER	1.25mm		◆
35	389 262 3554		1	THRUST WASHER	1.20mm		◆
35	389 262 3454		1	THRUST WASHER	1.15mm		◆
35	389 262 3354		1	THRUST WASHER	1.10mm		◆
35	389 262 3254		1	THRUST WASHER	1.05mm		◆
35	389 262 2854		1	THRUST WASHER	0.50mm		◆
36	015 981 7605	(015 981 2005)	1	ROLLER BEARING			◆
37	945 262 8810	(945 262 9310)	1	GEAR 4th			◆
		(945 262 9210)					
		(945 262 8910)					
		(945 262 2610)					
		(945 262 0510)					
		(945 262 2310)					
38	015 981 7705	(014 981 1605)	1	ROLLER BEARING			◆
39	945 262 5434		2		173.5mm		◆
39	945 262 0534	(389 262 5034)	2		173.5mm		◆
40	947 260 1945	(946 262 6137)	4		199.0mm		◆
		(947 260 0745)					
40	945 260 0650		4	SYNCHRONIZING CONE			◆

NOTES :

[X1] : for gearbox numbered label no 715513

GEARBOX G231-16

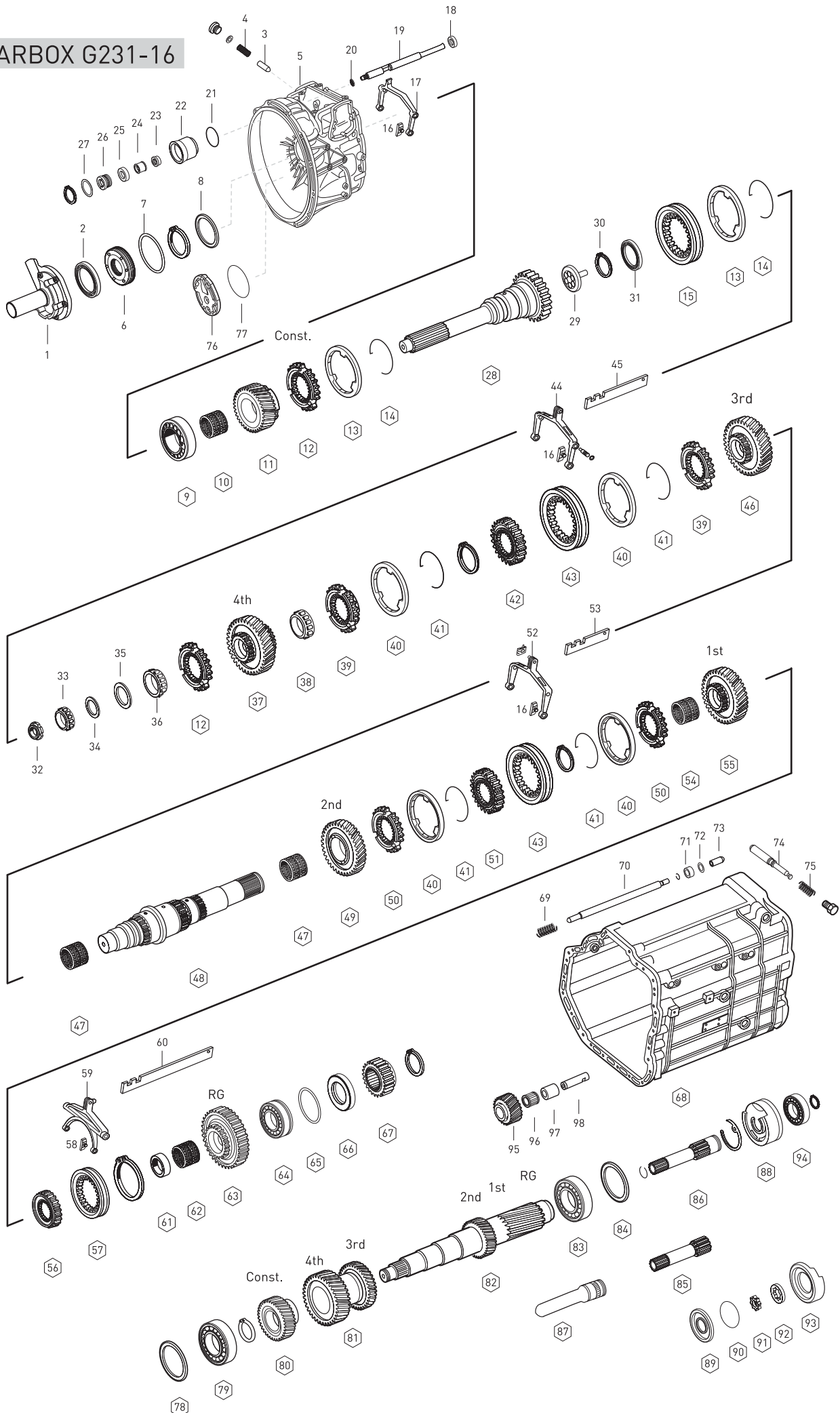


Fig.	Oem No	Oem Old No	Pcs	Description	Sizes	Notes	
40	389 262 0737		4	SYNCHRONIZING CONE	196.0mm		◆
41	387 262 0893		4	SPRING	167.0mm		◆
42	389 262 4735	(389 262 4635)	1	GUIDE SLEEVE			◆
43	945 262 6523		2	ENGAGING SLEEVE			◆
43	945 262 2723	(945 262 0423) (389 262 2623)	2	ENGAGING SLEEVE			◆
44	945 260 3730	(945 260 2630)	1	SHIFTING FORK			◆
44	945 260 1030		1	SHIFTING FORK			◆
45	945 265 0404		1	SHIFTING ROD			◆
46	945 262 3513	(945 262 0213) (945 262 3613) (945 262 3413) (945 262 0813) (945 262 1813)	1	GEAR 3rd			◆
47	018 981 6610		2	NEEDLE CAGE			◆
48	930 262 1205		1	MAIN SHAFT			◆
48	945 262 4505		1	MAIN SHAFT		(7)	◆
48	945 262 3605	(945 262 3505)	1	MAIN SHAFT		(5)(6)	◆
48	945 262 1905	(389 262 2705) (945 262 1705) (945 262 1405) (945 262 1505) (945 262 1105) (945 262 1605)	1	MAIN SHAFT		(8)	◆
49	945 262 6812		1	GEAR 2nd			◆
49	945 262 3112	(945 262 1712) (945 262 1612) (945 262 0812) (945 262 0712) (389 262 2812) (389 262 2512)	1	GEAR 2nd			◆
50	945 262 5534		2	ENGAGING RING			◆
50	945 262 0434	(389 262 0034)	2	ENGAGING RING			◆
51	389 262 2535	(945 262 0135)	1	GUIDE SLEEVE			◆
52	945 260 3630	(945 260 3030)	1	SHIFTING FORK			◆
52	945 260 0330	(945 260 0230)	1	SHIFTING FORK			◆
53	945 265 3104		1	SHIFTING ROD			◆
53	945 265 1904	(945 265 1704)	1	SHIFTING ROD			◆
53	945 265 1304	(945 265 1204) (945 265 0304)	1	SHIFTING ROD			◆
54	018 981 8110	(018 981 7610)	1	NEEDLE CAGE			◆

NOTES :

[X1] : for gearbox numbered label no 715513

[5] from gearbox number of 235270

[6] to gearbox number of 344483

[7] from gearbox number of 344484

[8] to gearbox number of 235269

GEARBOX G231-16

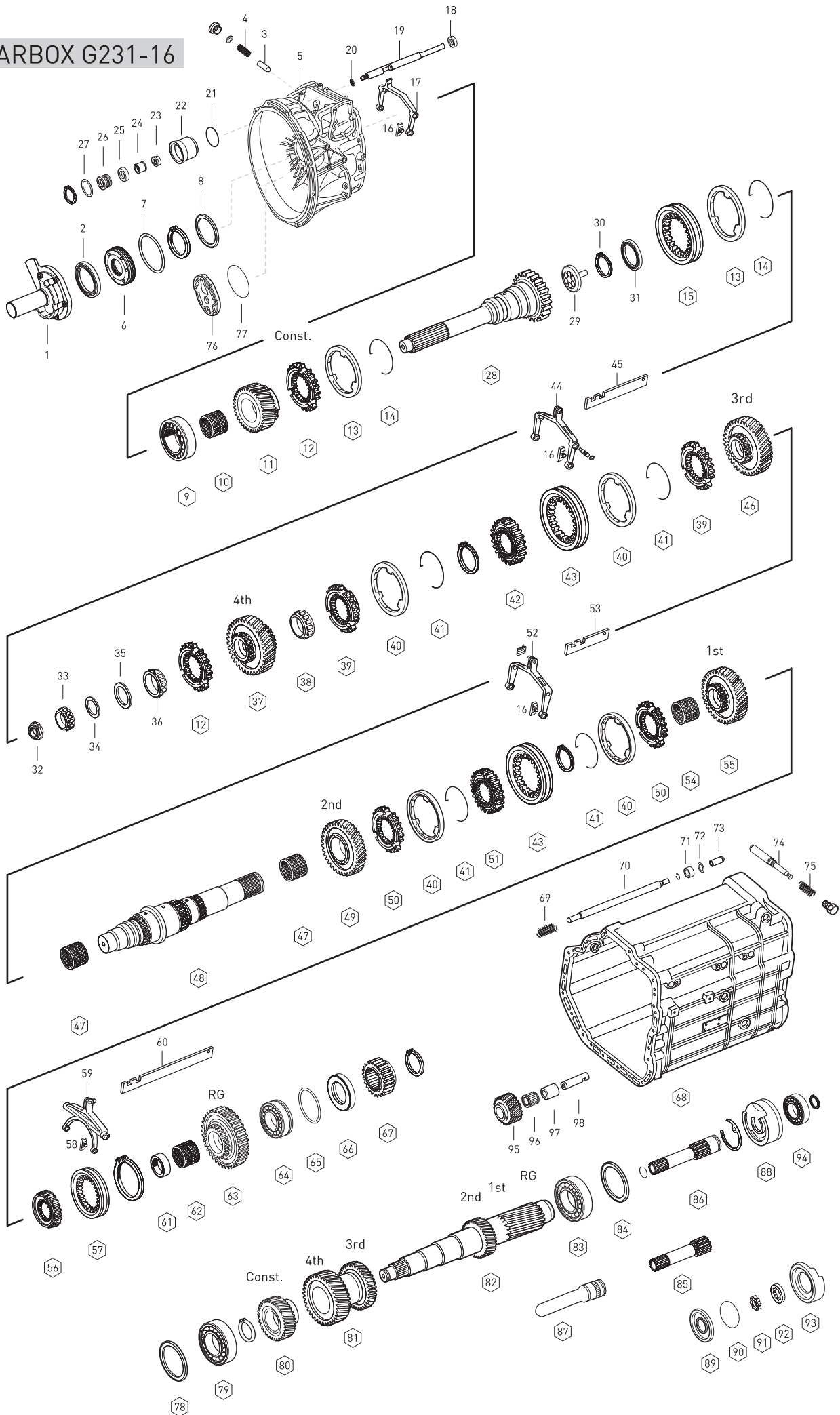


Fig.	Oem No	Oem Old No	Pcs.	Description	Sizes	Notes	
55	389 262 2711	(945 262 3111)	1	GEAR 1st			◆
		(945 262 0811)					
		(389 262 2011)					
		(945 260 1608)					
		(389 260 6108)					
56	389 262 0135		1	HUB			◆
56	389 262 3935		1	HUB		(9)	◆
56	945 262 3835		1	HUB		(10)	◆
57	389 262 1823	(389 262 0923)	1	ENGAGING SLEEVE		(9)(10)	◆
57	389 262 1723	(389 262 0023)	1	ENGAGING SLEEVE			◆
58	947 265 0249	(945 265 0149)	2	SLIDING PAD			◆
59	945 260 0430		1	SHIFTING FORK			◆
60	945 265 3004		1	SHIFTING ROD			◆
60	945 265 1004	(945 265 0104)	1	SHIFTING ROD			◆
60	945 265 1104	(945 265 0204)	1	SHIFTING ROD			◆
61	389 262 0150		1	BEARING RACE			◆
61	389 262 2550	(389 262 1650)	1	BEARING RACE			◆
		(389 262 0050)					
62	013 981 2610	(013 981 1810)	1	NEEDLE CAGE			◆
62	009 981 1510	(017 981 7810)	1	NEEDLE CAGE			◆
63	960 262 0033		1	REVERSE GEAR			◆
63	930 262 0233		1	REVERSE GEAR			◆
63	945 262 3233	(389 262 2033)	1	REVERSE GEAR			◆
63	945 262 4433		1	REVERSE GEAR		(10)	◆
63	945 262 3333	(389 262 2133)	1	REVERSE GEAR		(9)	◆
64	016 981 1305	(014 981 7505)	1	ROLLER BEARING	60X130X30mm		◆
65	389 262 3552		1	SHIM	0.10mm		◆
65	389 262 3652		1	SHIM	0.15mm		◆
65	389 262 3752		1	SHIM	0.20mm		◆
65	389 262 3852		1	SHIM	0.40mm		◆
65	389 262 3952		1	SHIM	0.80mm		◆
66	945 262 0152	(945 262 0052)	1	THRUST WASHER			◆
67	945 262 0909	(389 262 0809)	1	SUN GEAR			◆
		(389 262 0909)					
68	945 261 5626		1	HOUSING			◆
68	945 261 4826		1	HOUSING			◆
68	945 261 3226	(945 261 8803)	1	HOUSING			◆
		(945 261 8603)					
68	945 260 8211	(945 260 9911)	1	HOUSING			◆
		(945 260 8111)					
		(945 261 4103)					

NOTES :

[X1] : for gearbox numbered label no 715513
 (9) to gearbox number of 467535
 (10) from gearbox number of 467536

GEARBOX G231-16

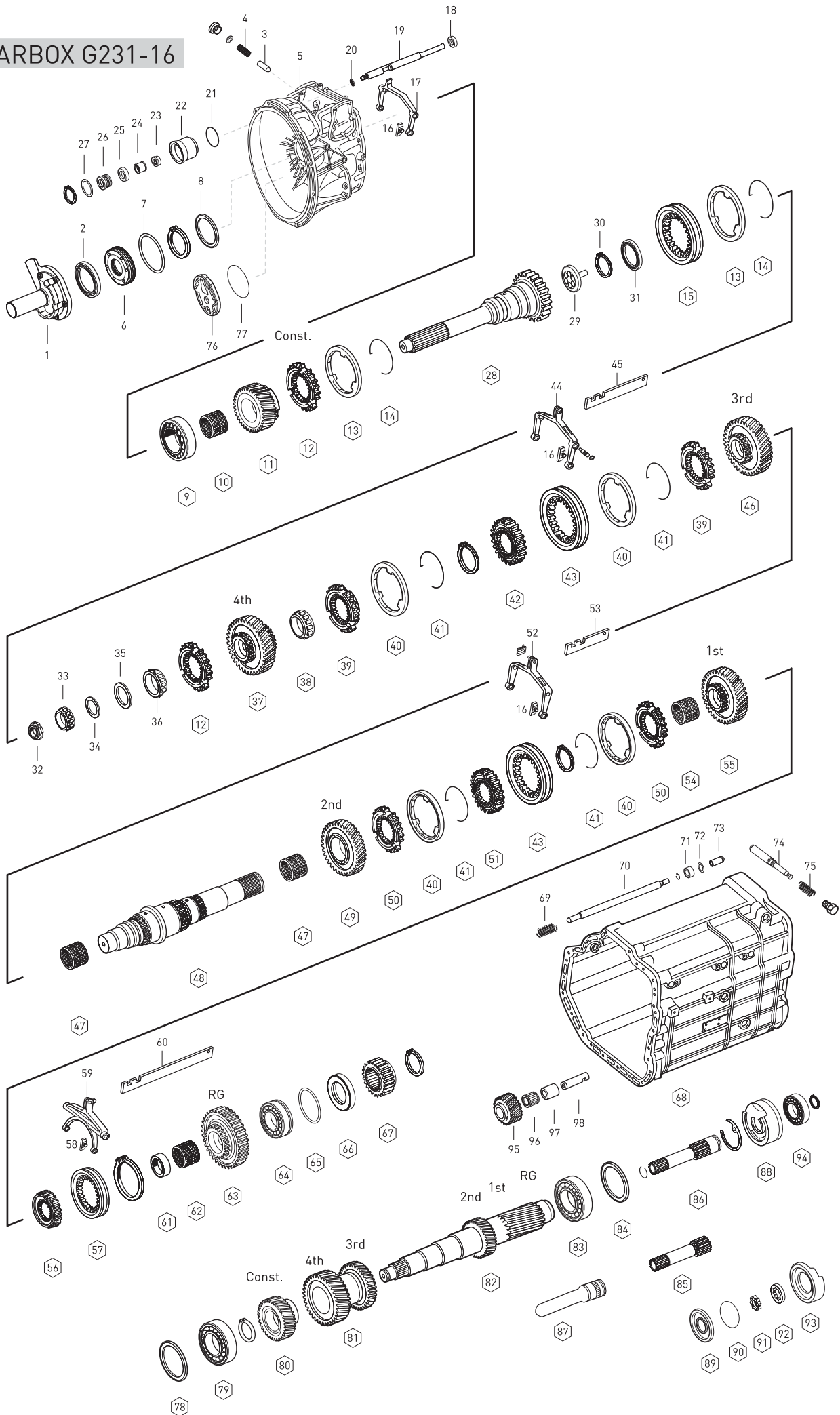


Fig.	Oem No	Oem Old No	Pcs	Description	Sizes	Notes	
68	945 260 8211	(945 261 4803)	1	HOUSING			◆
		(945 261 7803)					
		(945 261 8303)					
		(945 261 7203)					
		(945 261 4603)					
		(945 261 6803)					
		(945 261 3203)					
		(945 261 5403)					
68	945 261 3103	(945 261 3003)	1	HOUSING			◆
		(945 261 4003)					
69	389 993 0501		1	SPRING			◆
70	945 268 0225		1	SHIFTING ROD			◆
71	389 268 0051		1	SPACER RING			◆
72	000988 006 019		1	FITTED WASHER	0.10mm		◆
72	000988 006 020		1	FITTED WASHER	0.20mm		◆
72	000988 006 021		1	FITTED WASHER	0.30mm		◆
72	000988 006 013		1	FITTED WASHER	0.50mm		◆
72	000988 006 001		1	FITTED WASHER	1.00mm		◆
73	389 268 0674		1	PIN			◆
74	945 268 0374		1	PIN			◆
74	389 267 0974		1	PIN		(11)	◆
74	945 267 0274	(389 267 0274)	1	PIN		(12)	◆
75	389 993 0601		1	SPRING		(11)	◆
75	389 993 3401		1	SPRING		(12)	◆
76	976 261 1633	(976 261 1733)	1	COVER		(13)	◆
		(976 261 1833)					
76	976 261 1133	(976 261 0933)	1	COVER		(14)	◆
		(976 261 1033)					
77	028 997 2348	(004 997 2248)	1	O-RING		(13)	◆
77	015 997 4048	(022 997 3448)	1	O-RING		(14)	◆
78	389 263 5352		1	SHIM	0.40mm		◆
78	389 263 5852		1	SHIM	0.55mm		◆
78	389 263 6352		1	SHIM	0.70mm		◆
78	389 263 6852		1	SHIM	0.85mm		◆
78	389 263 7352		1	SHIM	1.00mm		◆
78	389 263 7852		1	SHIM	1.15mm		◆
78	389 263 8352		1	SHIM	1.30mm		◆
79	014 981 1405	(013 981 0605)	1	ROLLER BEARING	51X100X37.5mm		◆
80	945 263 1110	(945 263 0210)	1	CONSTANT GEAR			◆
81	945 263 0213	(945 263 1513)	1	DOUBLE GEAR 3rd/4th			◆
		(945 263 1413)					

NOTES :

- [X1] : for gearbox numbered label no 715513
 (11) to gearbox number of 167919
 (12) from gearbox number of 167920
 (13) from gearbox number of 041831
 (14) to gearbox number of 041830

GEARBOX G231-16

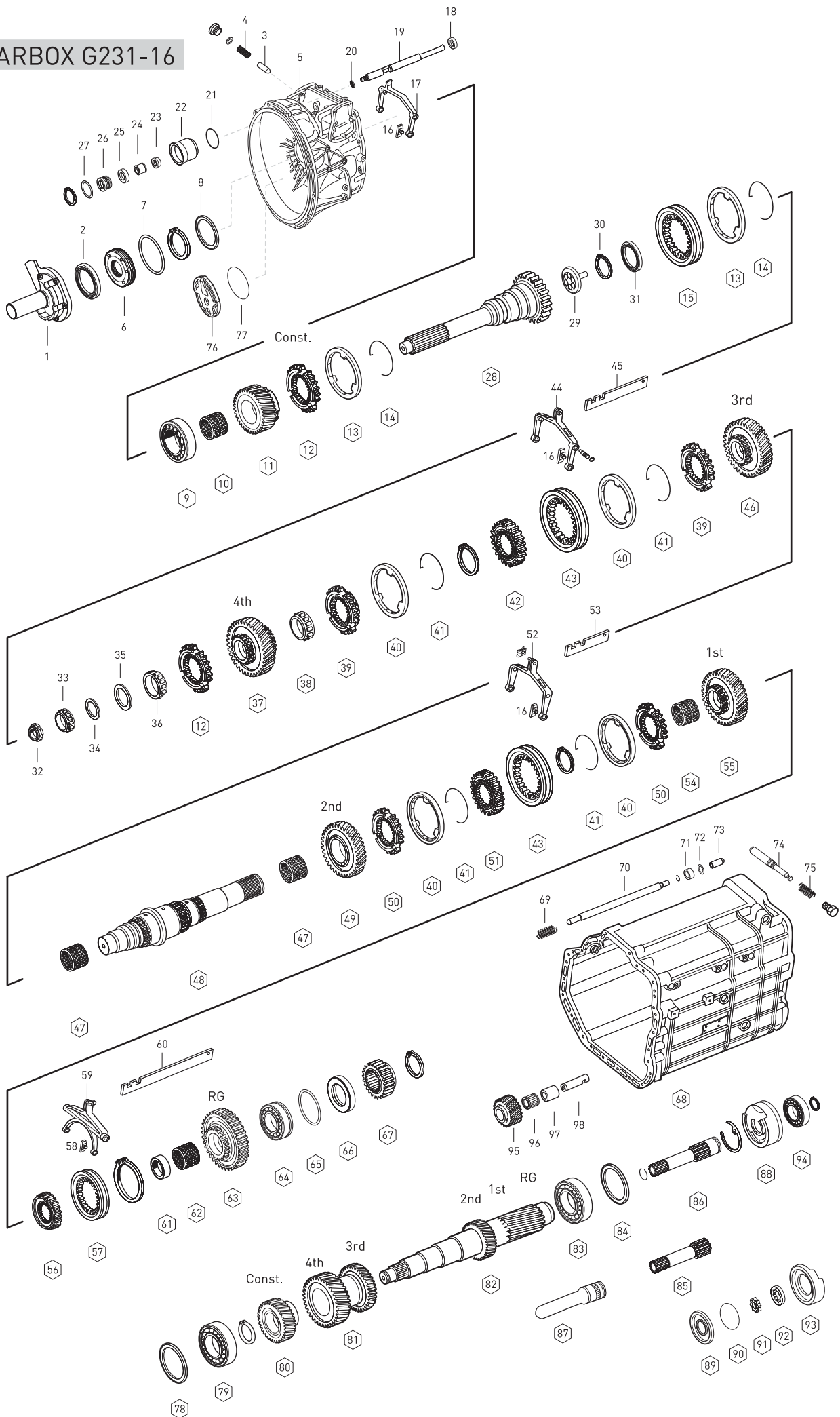


Fig.	Oem No	Oem Old No	Pcs.	Description	Sizes	Notes	
81	945 263 0213	(945 263 1013)	1	DOUBLE GEAR 3rd/4th			◆
		(945 263 0513)					
		(945 263 7113)					
		(945 263 7013)					
		(945 263 6913)					
		(945 263 6713)					
82	945 263 0902	(945 263 2902)	1	COUNTER SHAFT			◆
		(389 263 3102)					
		(389 263 2502)					
		(389 263 1602)					
		(389 263 1302)					
82	945 263 0602	(945 263 0102)	1	COUNTER SHAFT			◆
83	012 981 9405	(016 981 1205)	1	ROLLER BEARING	60x130x34mm		◆
84	389 263 0152		1	SHIM	0.10mm		◆
84	389 263 4052		1	SHIM	0.60mm		◆
84	389 263 4152		1	SHIM	0.65mm		◆
84	389 263 4252		1	SHIM	0.70mm		◆
84	389 263 4352		1	SHIM	0.75mm		◆
84	389 263 0552		1	SHIM	0.80mm		◆
84	389 263 4452		1	SHIM	0.85mm		◆
84	389 263 4552		1	SHIM	0.90mm		◆
84	389 263 4652		1	SHIM	0.95mm		◆
84	389 263 4752		1	SHIM	1.00mm		◆
84	389 263 4852		1	SHIM	1.05mm		◆
84	389 263 4952		1	SHIM	1.10mm		◆
84	389 263 5052		1	SHIM	1.15mm		◆
85	947 269 1110	(947 269 1010)	1	OIL PUMP SHAFT			◆
		(945 269 1110)					
		(945 269 1010)					
86	947 264 0005	(389 269 1210)	1	OIL PUMP SHAFT			◆
		(389 269 0310)					
87	945 269 0067		1	OIL COLLECTOR			◆
88	389 260 0690	(389 260 0590)	1	OIL PUMP			◆
89	945 269 0201		1	OIL PUMP COVER			◆
90	029 997 5748		1	OIL SEAL			◆
91	389 269 1406		1	OIL PUMP GEAR			◆
92	389 269 0706		1	ROTOR			◆
93	389 269 3801		1	OIL PUMP HOUSING			◆
94	004 981 8625		1	ROLLER BEARING			◆
95	389 263 1031		1	REV.IDLER GEAR			◆
96	019 981 1310	(012 981 8910)	1	NEEDLE CAGE			◆
97	389 263 0850		1	BUSHING			◆
98	976 263 0030		1	PIN			◆

NOTES :

[X1] : for gearbox numbered label no 715513

GEARBOX G231-16

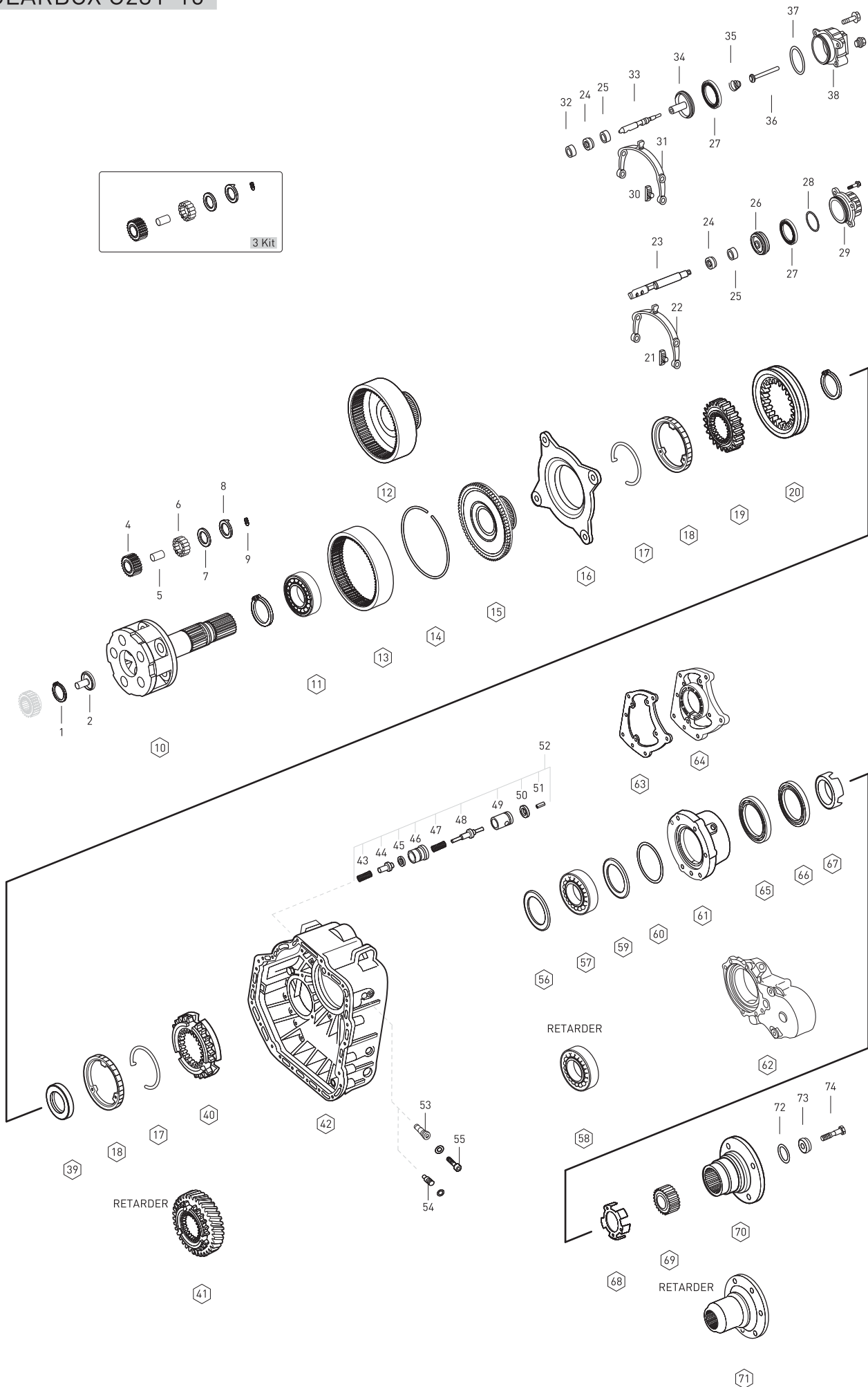


Fig.	Oem No	Oem Old No	Pcs.	Description	Sizes	Notes	
1	000472 060 000		1	SNAP RING			◆
2	945 269 0834	(389 269 4734)	1	OIL TUBE			◆
3	655 260 0197		5	PLANETARY GEAR SET			◆
4	945 262 0006		5	PLANETARY GEAR 28 T			◆
5	389 262 0407		5	PLANETARY SHAFT			◆
6	000 981 4386	(000 981 4186)	125	NEEDLE ROLLER	4.995X39.60mm		◆
7	389 262 6462	(389 262 0162)	10	THRUST WASHER	35.35X43.90X1.00mm		◆
8	945 262 0162	(389 262 0262)	10	THRUST WASHER	35.35X65.50X1.25mm		◆
9	000914 006 109		5	THREADED PIN	5.90X13.90mm		◆
10	946 260 3561	(946 260 3661)	1	PLANETARY CARRIER			◆
		(945 260 4561)					
		(945 260 4461)					
11	008 981 1325		1	ROLLER BEARING	90X130X14mm		◆
12	945 262 0108	(389 262 0808)	1	ANNULUS 85 T			◆
13	945 262 0208		1	RING WHEEL 85 T			◆
13	945 262 0808		1	RING WHEEL 85 T			◆
14	389 262 0773		1	LOCK RING			◆
15	389 262 1425		1	CARRIER HUB 85 T			◆
16	947 260 3036	(947 260 0836)	1	FOLLOWER RING		(1)	◆
16	389 260 2036		1	FOLLOWER RING		(2)	◆
17	389 262 0293		2	SPRING			◆
18	947 260 3045	(947 260 0945)	2	SYNCHRONIZING CONE		(1)	◆
18	945 260 0850		2	SYNCHRONIZING CONE		(2)	◆
18	389 262 0537		2	SYNCHRONIZING CONE		(2)	◆
19	389 262 4935	(389 262 2035)	1	GUIDE SLEEVE			◆
20	930 262 0623	(945 262 6923)	1	ENGAGING SLEEVE		(1)	◆
20	945 262 6623	(945 262 2623)	1	ENGAGING SLEEVE		(2)	◆
		(945 262 0823)					
		(389 262 3823)					
		(389 262 3623)					
		(389 262 1623)					
21	389 265 2449		2	SLIDING PAD		(2)	◆
22	947 265 1701	(947 265 1901)	1	SHIFTING FORK		(2)	◆
		(930 265 0001)					
		(389 265 0901)					
		(389 265 0201)					
23	389 267 3417		1	SHIFTING ROD			◆
23	389 267 7217	(389 267 3917)	1	SHIFTING ROD			◆
24	000 267 0197	(000 267 0397)	1	FLANGE PACKING			◆
25	387 267 0650		1	BUSHING			◆
26	389 267 1018	(389 267 0118)	1	PISTON			◆

NOTES :

[X1] : for gearbox numbered label no 715513

(1) from gearbox number of 366887

(2) to gearbox number of 366886

GEARBOX G231-16

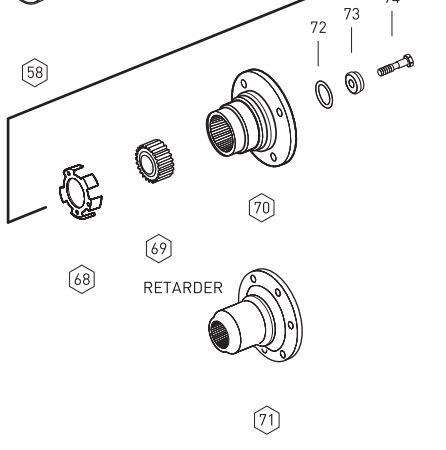
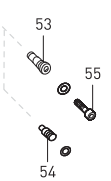
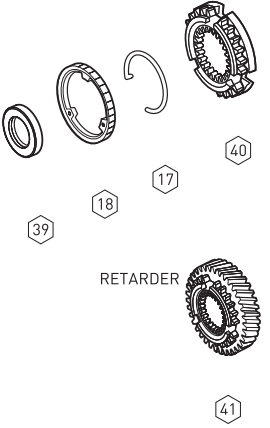
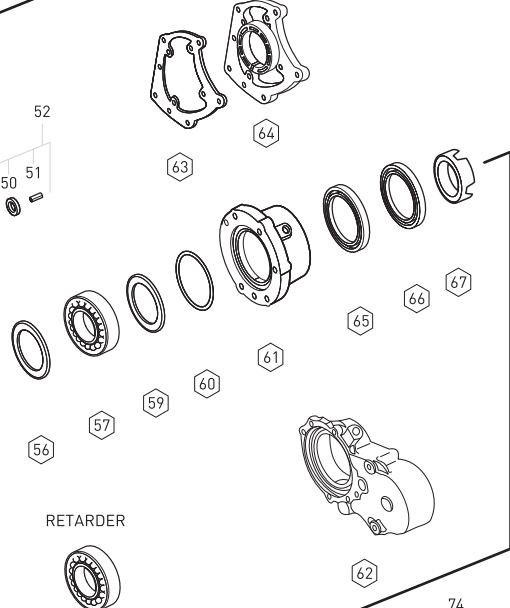
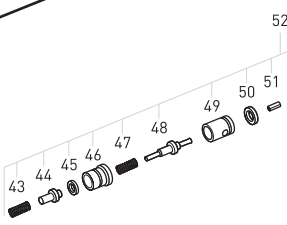
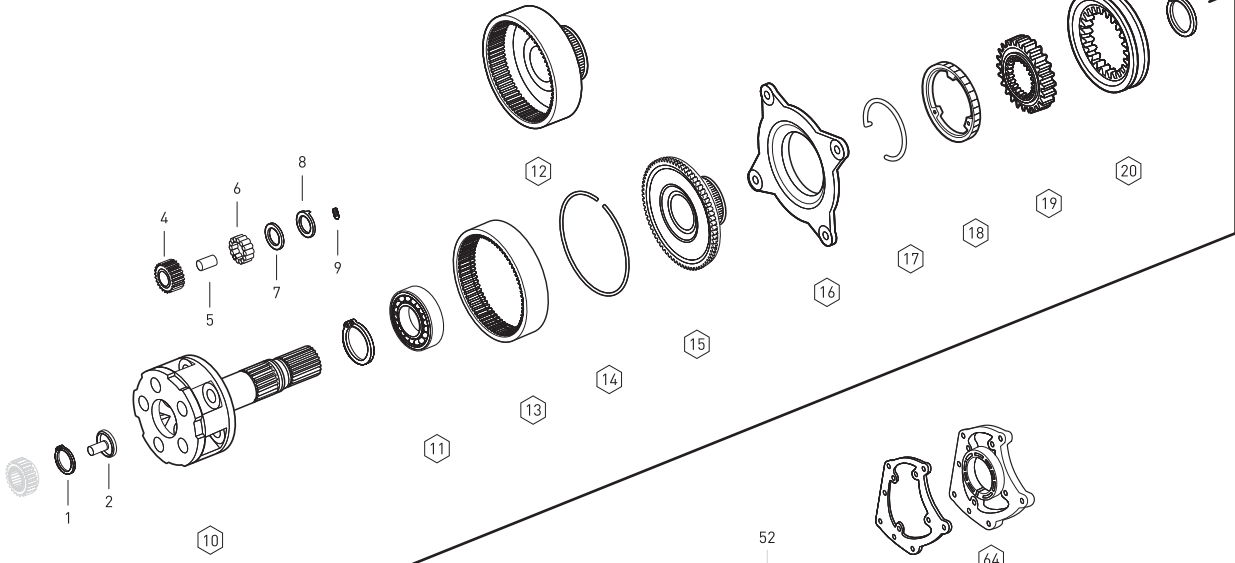
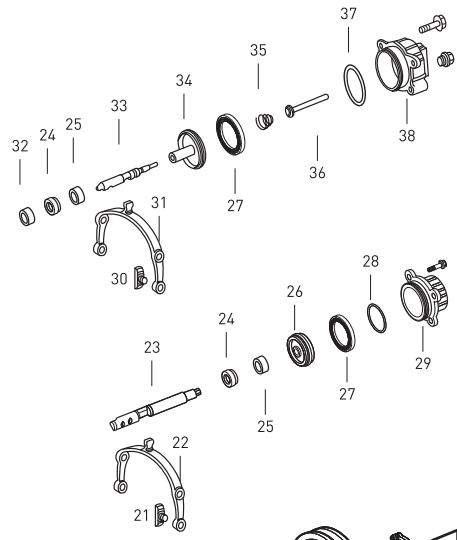
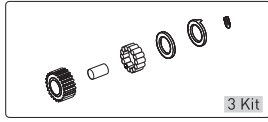


Fig.	Oem No	Oem Old No	Pcs	Description	Sizes	Notes	
27	024 997 8347	(020 997 6747)	1	SEAL RING			◆
		(014 997 3647)					
		(014 997 5147)					
28	013 997 7548		1	O-RING	89.5X3.0mm		◆
29	945 267 1119	(389 267 2919)	1	SHIFTING CYLINDER			◆
		(389 267 1319)					
		(389 267 1419)					
		(389 267 4219)					
30	947 265 0349	(389 265 2749)	2	SLIDING PAD		(1)	◆
31	947 265 2701	(947 265 2601)	1	SHIFTING FORK		(1)	◆
32	000 992 7703	(389 267 2250)	1	BUSHING			◆
33	930 267 0217	(945 267 2217)	1	SHIFTING ROD			◆
		(945 267 2117)					
33	930 260 1189	(930 260 0389)	1	SHIFTING ROD			◆
33	930 260 2889	(389 267 7617)	1	SHIFTING ROD			◆
		(389 267 6917)					
33	930 260 1589	(930 260 0789)	1	SHIFTING ROD			◆
33	930 260 2789	(389 267 7317)	1	SHIFTING ROD			◆
33	930 260 1489	(930 260 0689)	1	SHIFTING ROD			◆
		(930 260 1689)					
		(930 260 0889)					
33	930 260 2589	(389 267 3517)	1	SHIFTING ROD			◆
34	930 267 0618		1	PISTON			◆
34	945 267 0718		1	PISTON			◆
35	008 993 0801		1	SPRING			◆
35	000 993 6705		1	SPRING			◆
36	000 543 5785		1	PIN			◆
36	000 543 5485	(000 543 5185)	1	PIN			◆
37	017 997 6545		1	O-RING	96.0X1.5mm		◆
38	945 267 1319	(945 267 1619)	1	SHIFTING CYLINDER		(3)	◆
38	945 267 1219	(945 267 1019)	1	SHIFTING CYLINDER		(4)	◆
		(945 267 0519)					
39	389 262 0251		1	SPACER RING			◆
40	945 262 3834		1	ENGAGING RING		(1)	◆
40	945 262 1234	(389 262 9234)	1	ENGAGING RING		(2)	◆
41	930 264 0320	(945 264 0520)	1	ENGAGING RING	RETARDER	(1)	◆
41	945 264 0130		1	ENGAGING RING	RETARDER	(2)	◆
41	389 264 0730	(389 264 0430)	1	ENGAGING RING	RETARDER	(5)	◆
42	945 260 6812		1	HOUSING		(1)	◆
42	945 261 4903	(945 261 9803)	1	HOUSING		(2)	◆
		(945 261 4503)					

NOTES :

[X1] : for gearbox numbered label no 715513

(1) from gearbox number of 366887

(2) to gearbox number of 366886

(3) to gearbox number of 117884

(4) from gearbox number of 117885

(5) to gearbox number of 236189

GEARBOX G231-16

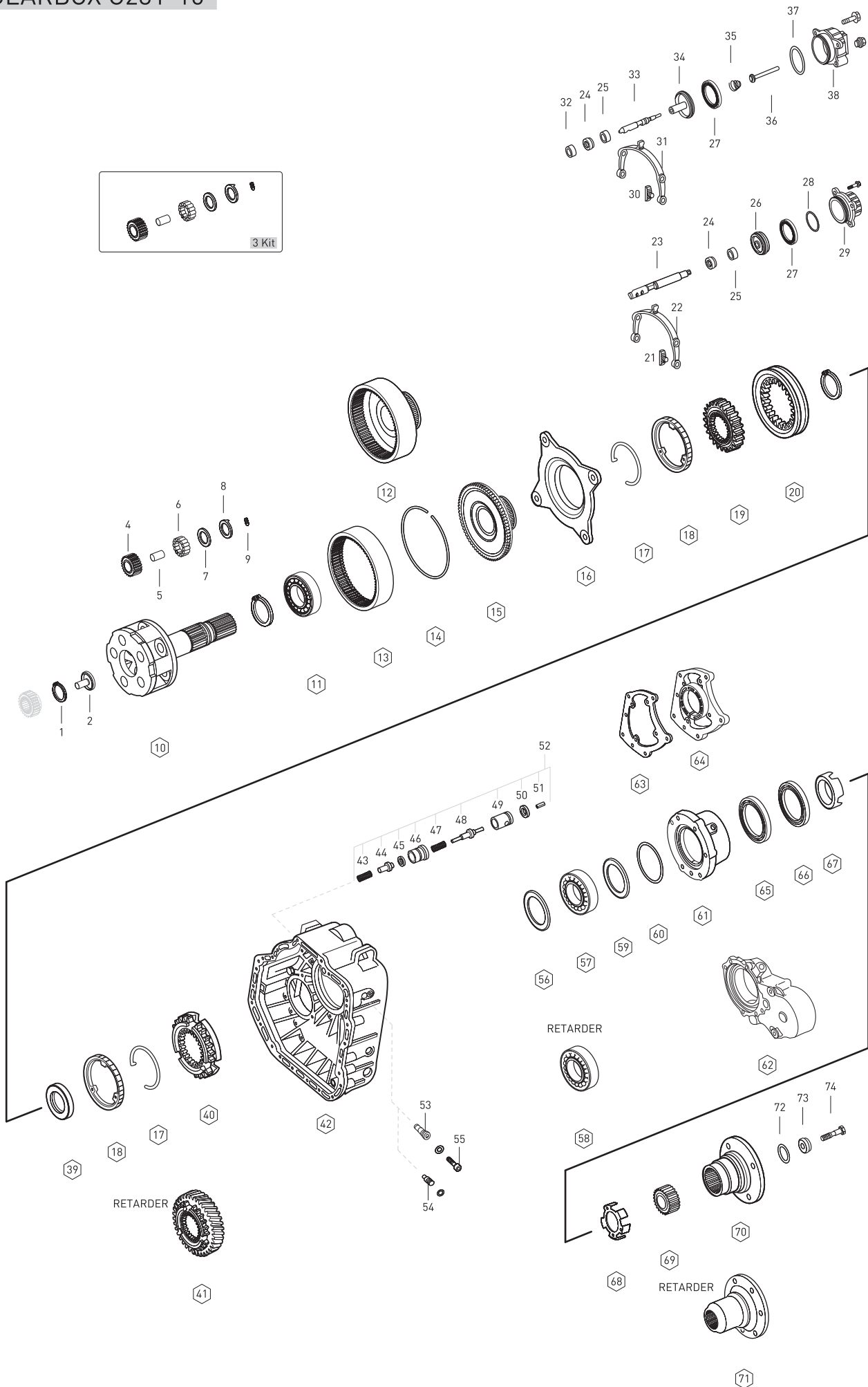


Fig.	Oem No	Oem Old No	Pcs	Description	Sizes	Notes	
42	945 261 1403	(945 261 0703)	1	HOUSING			◆
42	930 260 1811		1	HOUSING			◆
42	945 260 6912		1	HOUSING			◆
42	930 260 2411		1	HOUSING			◆
42	930 260 1511	(930 260 1411)	1	HOUSING			◆
42	945 261 3826	(945 261 4303)	1	HOUSING		(6)	◆
		(945 261 0426)					
		(945 261 4703)					
		(945 261 2803)					
42	945 261 3503	(945 261 0326)	1	HOUSING		(7)	◆
		(945 261 3403)					
42	945 261 1603	(945 261 0803)	1	HOUSING			◆
42	945 261 2703	(945 261 3603)	1	HOUSING			◆
		(945 261 2203)					
		(945 261 2103)					
		(945 261 2003)					
43	389 993 5301		1	SPRING			◆
44	389 269 1026	(389 269 0926)	1	SELECTOR VALVE			◆
45	013 997 0148		1	O-RING	13.3X2.4mm		◆
46	389 269 1444	(389 269 0744)	1	VALVE INSERT			◆
		(389 269 0144)					
47	389 993 4401		1	SPRING	11.5X41.9X1.0mm		◆
48	389 269 0826		1	SELECTOR VALVE			◆
49	389 269 0844		1	BALL			◆
50	013 997 0048		1	O-RING	19.2X3.0mm		◆
51	001481 004 001		1	CLAMPING SLEEVE			◆
52	655 260 0157		1	VALVE KIT	(PTO)		◆
53	945 265 1474	(945 265 1774)	2	PIN			◆
		(389 265 2874)					
54	389 265 0974		2	PIN			◆
55	007984 008 013		2	SCREW			◆
56	389 262 7854		1	THRUST WASHER	3.50mm		◆
57	008 981 5225	(008 981 3025)	1	ROLLER BEARING			◆
57	008 981 1425		1	ROLLER BEARING			◆
57	004 981 8925		1	ROLLER BEARING			◆
58	007 981 8701		1	ROLLER BEARING	RETARDER		◆
58	007 981 8201		1	ROLLER BEARING	RETARDER		◆
59	389 262 7754		1	SHIM	1.40mm		◆
59	389 262 5152		1	SHIM	0.80mm		◆
59	389 262 5052		1	SHIM	0.40mm		◆
59	389 262 7654		1	SHIM	0.25mm		◆

NOTES :

[X1] : for gearbox numbered label no 715513

(6) from gearbox number of 044407

(7) from gearbox number of 050091

GEARBOX G231-16

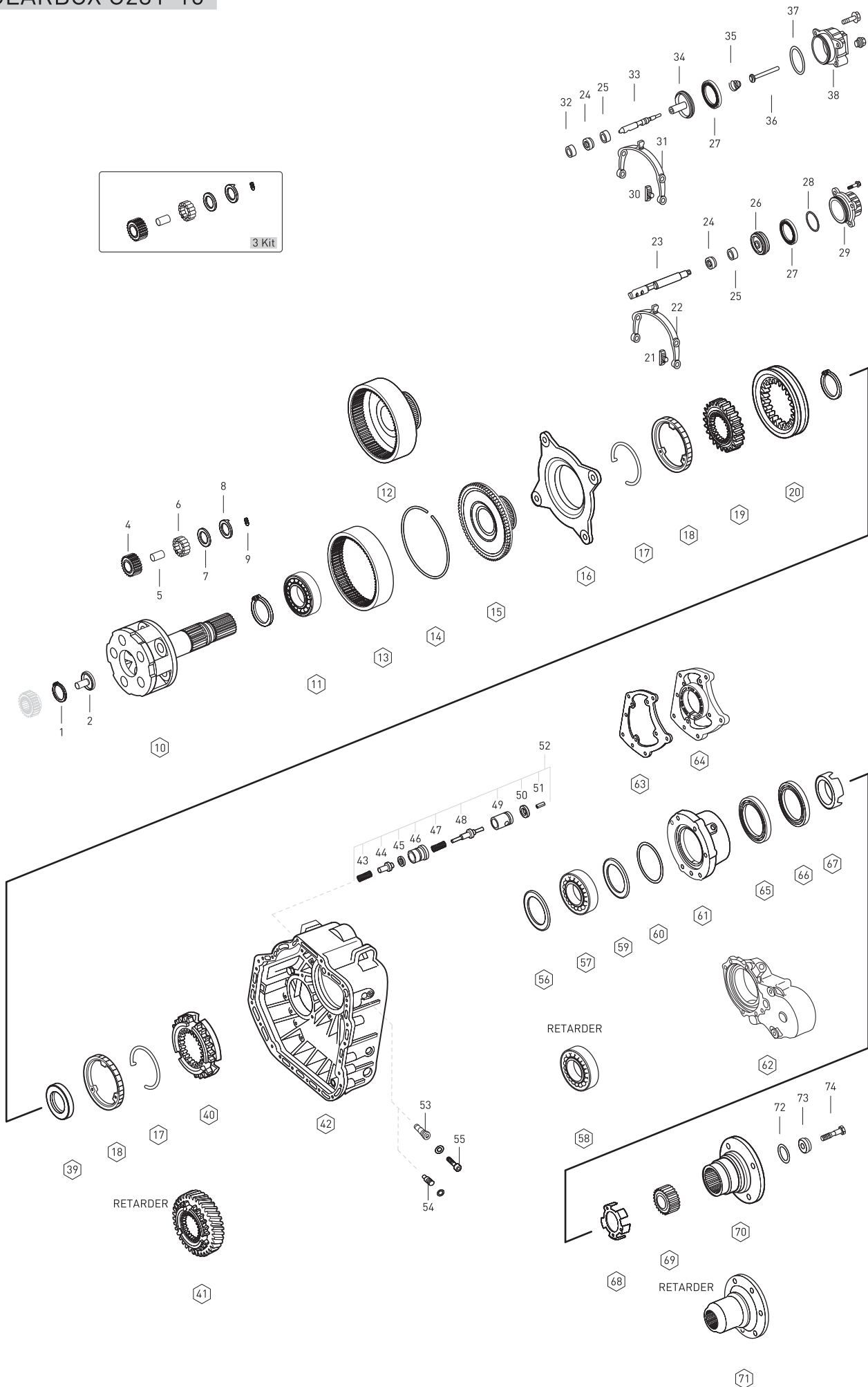


Fig.	Oem No	Oem Old No	Pcs.	Description	Sizes	Notes	
59	389 262 4952		1	SHIM	0.20mm		◆
59	389 262 4852		1	SHIM	0.15mm		◆
59	389 262 4752		1	SHIM	0.10mm		◆
60	020 997 8548	(015 997 2848)	1	O-RING	149.5X3.0mm		◆
61	389 261 1920	(389 261 0520) (389 261 0420)	1	COVER		{8}	◆
61	930 261 0420		1	COVER			◆
61	930 261 0520	(389 261 2220) (389 261 2020) (389 261 1820)	1	COVER			◆
62	389 261 1120		1	COVER			◆
63	945 261 0280		1	GASKET	(PTO)		◆
63	945 261 0080	(389 261 1980) (389 261 1480) (389 261 0780)	1	GASKET	(PTO)		◆
64	945 261 1033		1	COVER	(PTO)		◆
64	389 261 2433	(389 261 1033) (389 261 2333) (389 261 0933)	1	COVER	(PTO)		◆
65	013 997 5547		1	OIL SEAL			◆
65	013 997 7247		1	OIL SEAL			◆
65	014 997 1947		1	OIL SEAL			◆
65	015 997 6647		1	OIL SEAL			◆
65	015 997 6447		1	OIL SEAL			◆
66	015 997 4247		1	OIL SEAL			◆
66	013 997 7347		1	OIL SEAL			◆
66	013 997 5647		1	OIL SEAL			◆
66	017 997 1247		1	OIL SEAL			◆
66	015 997 4247		1	OIL SEAL			◆
67	930 262 0028		1	PULSE STAR			◆
67	945 262 0228		1	PULSE STAR			◆
67	945 262 0528	(389 260 0150)	1	PULSE STAR			◆
67	945 262 0628	(389 260 0350)	1	PULSE STAR			◆
68	387 262 0828	(387 262 0428)	1	PULSE STAR	(PTO)		◆
69	389 264 0021		1	GEAR	(PTO)		◆
70	389 262 0545	(945 262 0145)	1	COMPANION FLANGE	4-H, Ø180mm		◆
70	945 262 0045		1	COMPANION FLANGE	4-H, Ø180mm	{9}	◆
70	389 262 0445		1	COMPANION FLANGE	4-H, Ø180mm	{10}	◆
70	930 262 0145		1	COMPANION FLANGE	4-H, Ø200mm		◆
70	930 262 0045		1	COMPANION FLANGE	4-H, Ø180mm		◆
70	945 262 0245		1	COMPANION FLANGE	4-H, Ø200mm		◆

NOTES :

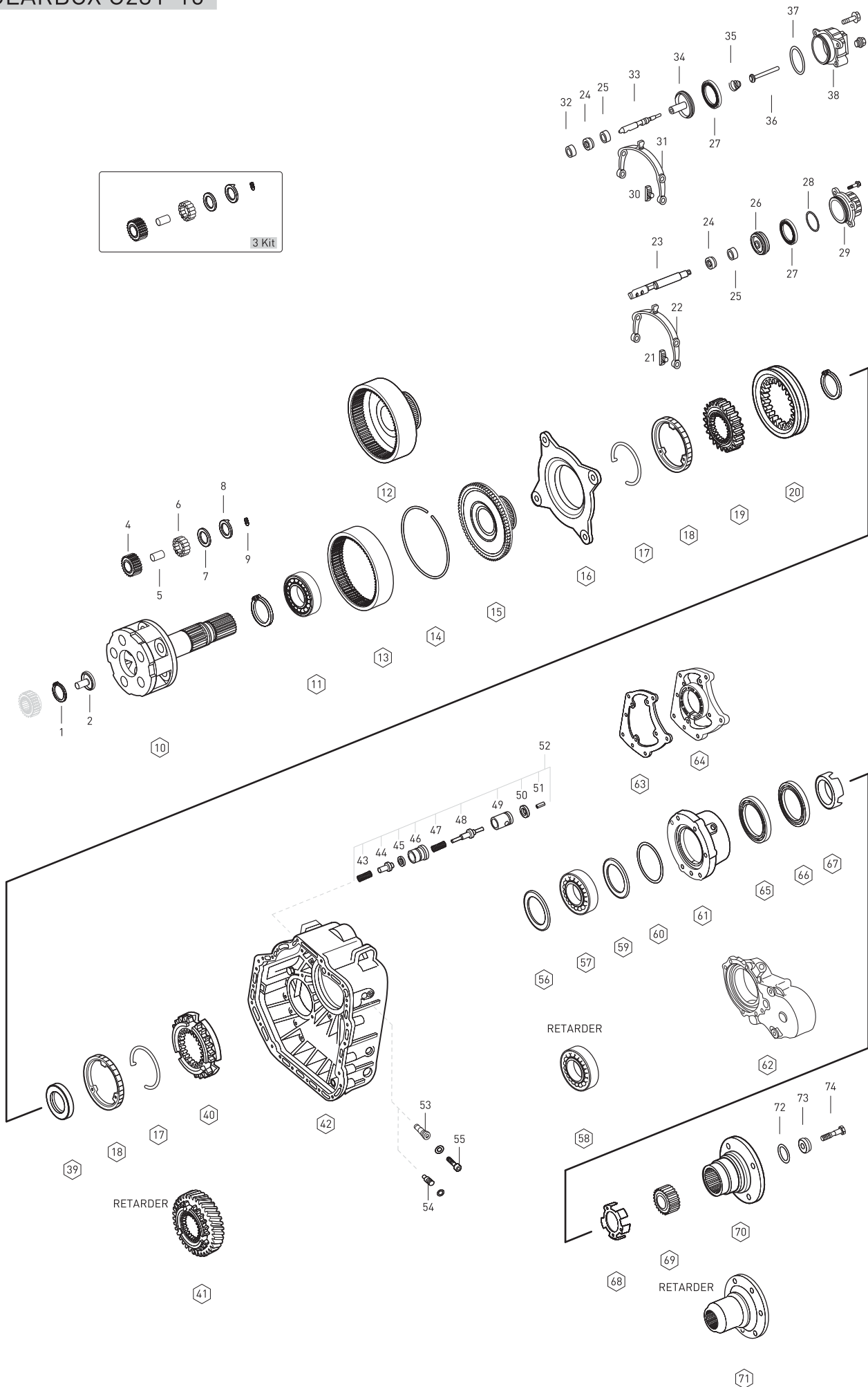
[X1] : for gearbox numbered label no 715513

[8] from gearbox number of 218760

[9] from gearbox number of 080587

[10] to gearbox number of 080586

GEARBOX G231-16



GEARBOX G231-16

SYNCHRONIZER KIT CONST.
NEW MODEL

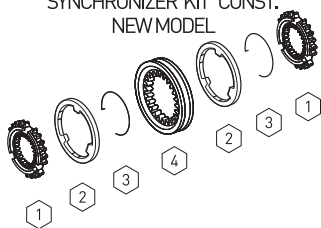


Fig.	o. Oem No	Oem Old No	Pcs	Description
	2106218		Kit	SYNCHRONIZER KIT Const
1	945 262 3634		2	ENGAGING RING
2	945 260 2245 (947 260 0545)		2	SYNCHRONIZING CONE
3	387 262 1093		2	SPRING
4	945 262 6823 (945 262 6423)		1	ENGAGING SLEEVE

SYNCHRONIZER KIT CONST.

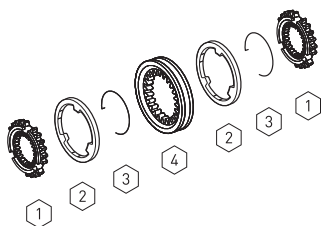


Fig.	o. Oem No	Oem Old No	Pcs	Description
	2106219		Kit	SYNCHRONIZER KIT Const
1	389 262 5434 (945 262 0134)		2	ENGAGING RING
		(945 262 0334)		
2	389 262 0637		2	SYNCHRONIZING CONE
3	387 262 1093		2	SPRING
4	945 262 2823 (945 262 0323)		1	ENGAGING SLEEVE
		(945 262 0623)		
		(389 262 4123)		
		(389 262 2723)		

SYNCHRONIZER KIT 3rd/4th
NEW MODEL

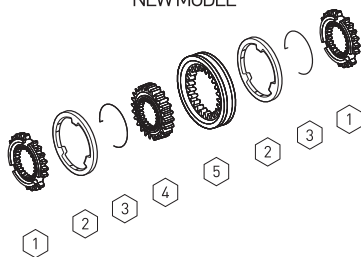


Fig.	o. Oem No	Oem Old No	Pcs	Description
	2106211		Kit	SYNCH.KIT 3rd/4th
1	945 262 5434		2	ENGAGING RING
2	947 260 1945 (946 262 6137)		2	SYNCHRONIZING CONE
		(947 260 0745)		
3	387 262 0893		2	SPRING
4	389 262 4735 (389 262 4635)		1	GUIDE SLEEVE
5	945 262 6523		1	ENGAGING SLEEVE

SYNCHRONIZER KIT 3rd/4th

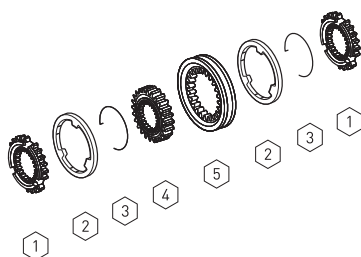


Fig.	o. Oem No	Oem Old No	Pcs	Description
	2106212		Kit	SYNCH.KIT 3rd/4th
1	945 262 0534 (389 262 5034)		2	ENGAGING RING
2	389 262 0737		2	SYNCHRONIZING CONE
3	387 262 0893		2	SPRING
4	389 262 4735 (389 262 4635)		1	GUIDE SLEEVE
5	945 262 2723 (945 262 0423)		1	ENGAGING SLEEVE
		(389 262 2623)		

SYNCHRONIZER KIT 1st/2nd
NEW MODEL

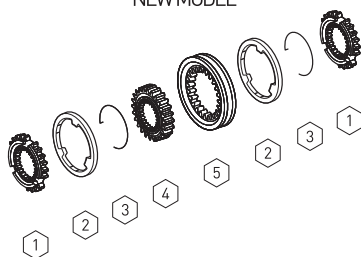


Fig.	o. Oem No	Oem Old No	Pcs	Description
	2106214		Kit	SYNCH.KIT 1st/2nd
1	945 262 5534		2	ENGAGING RING
2	947 260 1945 (946 262 6137)		2	SYNCHRONIZING CONE
		(947 260 0745)		
3	387 262 0893		2	SPRING
4	389 262 2535 (945 262 0135)		1	GUIDE SLEEVE
5	945 262 6523		1	ENGAGING SLEEVE

Fig.	Oem No	Oem Old No	Pcs	Description
	2106215		Kit	SYNCH.KIT 1st/2nd
1	945 262 0434	(389 262 0034)	2	ENGAGING RING
2	389 262 0737		2	SYNCHRONIZING CONE
3	387 262 0893		2	SPRING
4	389 262 2535	(945 262 0135)	1	GUIDE SLEEVE
5	945 262 2723	(945 262 0423)	1	ENGAGING SLEEVE
		(389 262 2623)		

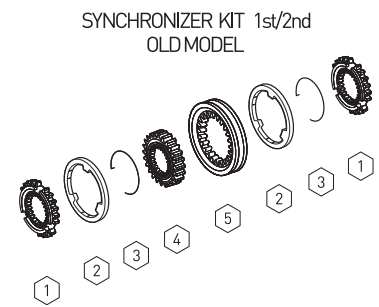


Fig.	Oem No	Oem Old No	Pcs	Description
	2106216		Kit	SYNCH.KIT PLANETARY
1	947 260 3036	(947 260 0836)	1	FOLLOWER RING
2	389 262 0293		2	SPRING
3	947 260 3045	(947 260 0945)	2	SYNCHRONIZING CONE
4	389 262 4935	(389 262 2035)	1	GUIDE SLEEVE
5	930 262 0623	(945 262 6923)	1	ENGAGING SLEEVE
6	945 262 3834		1	ENGAGING RING

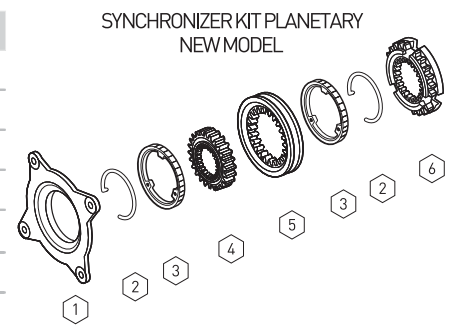


Fig.	Oem No	Oem Old No	Pcs	Description
	2106204		Kit	SYNCH.KIT PLANETARY
1	389 262 0293		2	SPRING
2	947 260 3045	(947 260 0945)	2	SYNCHRONIZING CONE
3	389 262 4935	(389 262 2035)	1	GUIDE SLEEVE
4	930 262 0623	(945 262 6923)	1	ENGAGING SLEEVE

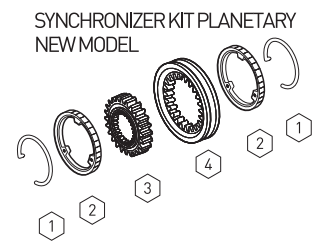


Fig.	Oem No	Oem Old No	Pcs	Description
	2106217		Kit	SYNCH.KIT PLANETARY
1	389 260 2036		1	FOLLOWER RING
2	389 262 0293		2	SPRING
3	389 262 0537		2	SYNCHRONIZING CONE
4	389 262 4935	(389 262 2035)	1	GUIDE SLEEVE
5	945 262 6623	(945 262 2623)	1	ENGAGING SLEEVE
		(945 262 0823)		
		(389 262 3823)		
		(389 262 3623)		
		(389 262 1623)		
6	945 262 1234	(389 262 9234)	1	ENGAGING RING

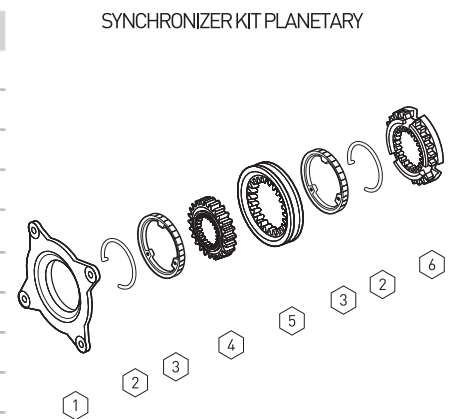
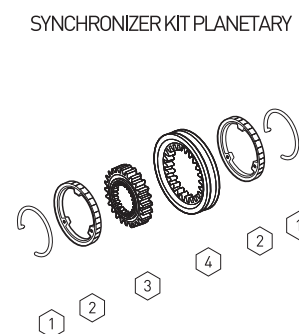
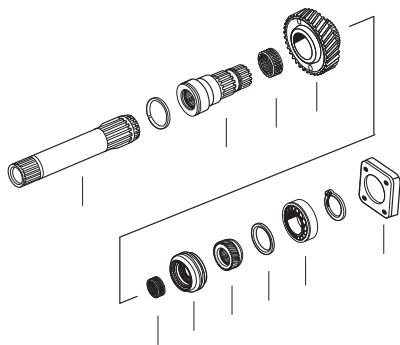
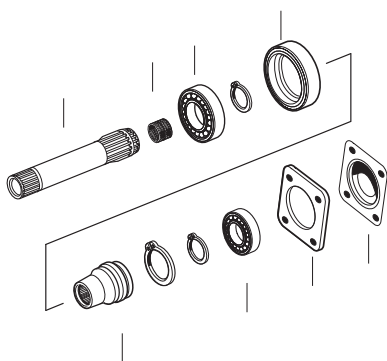


Fig.	Oem No	Oem Old No	Pcs	Description
	2106194		Kit	SYNCH.KIT PLANETARY
1	389 262 0293		2	SPRING
2	389 262 0537		2	SYNCHRONIZING CONE
3	389 262 4935	(389 262 2035)	1	GUIDE SLEEVE
4	945 262 6623	(945 262 2623)	1	ENGAGING SLEEVE
		(945 262 0823)		
		(389 262 3823)		
		(389 262 3623)		
		(389 262 1623)		





		387 264 0505			
		389 264 0105			
		945 264 0605			
		945 264 0705			
		945 264 1405			
		945 264 0606			
		010 981 1310			
		945 264 0020			
		015 981 9310			
		389 264 0023			
		945 264 0046			
		673 264 0252			
		673 264 0352			
		673 264 0452			
		673 264 0552			
		009 981 5301			
		389 264 0111			



		945 264 0305			
		389 264 0505			
K21.03493		389 264 0205	(387 264 0405)		
		013 981 0610			
		008 981 3225			
		945 264 0687	(389 264 0587)		
		389 264 0223			
		006 981 2525			
		389 264 0780			
		945 264 0611			
		389 264 0311			

Fig	o. Oem No	Oem Old No	Pcs	Description
1	013 981 4705		1	ROLLER BEARING
2	945 264 0406		1	DRIVE SHAFT
2	945 264 0306		1	DRIVE SHAFT
3	019 997 8747		1	O-RING
4	019 997 8647		1	O-RING
5	015 981 0805		1	ROLLER BEARING
6	013 981 4605		1	ROLLER BEARING
7	945 264 0221		1	GEAR
8	945 264 0251		1	U THRUST WASHER
9	013 981 0605		1	ROLLER BEARING
10	389 264 0652		1	SHIM (0.10mm)
10	389 264 0752		1	SHIM (0.15mm)
10	389 264 0852		1	SHIM (0.30mm)
10	389 264 0952		1	SHIM (0.50mm)
11	010 997 7445		1	i O-RING
12	945 260 0027		1	SPINDLE

P.T.O. (POWER TAKE OFF)
N.M.V. GEARBOX

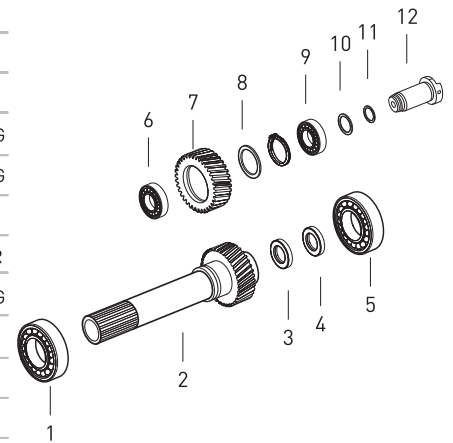
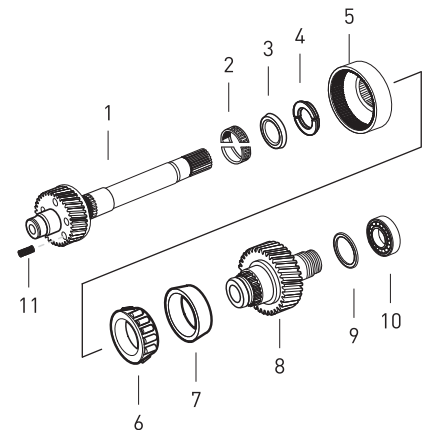


Fig	o. Oem No	Oem Old No	Pcs	Description
1	945 264 0106	(945 264 0506)	1	DRIVE SHAFT P.T.O.
2	011 981 4110	(011 981 4010)	1	NEEDLE BEARING
3	389 264 0073		1	RETAINING RING
4	389 264 0129		1	SPL.RING (3.97mm)
4	389 264 0829		1	SPL.RING (4.12mm)
4	389 264 0929		1	SPL.RING (4.22mm)
4	389 264 0429		1	SPL.RING (4.27mm)
5	945 264 0007		1	DISC SUPPORT
6	017 981 3705	(002 981 4481)	1	INNER RING
7	001 981 9280		1	OUTER RACE
8	945 264 0321		1	GEAR
8	945 264 0421		1	GEAR
9	389 264 1252		1	SHIM (0.05mm)
9	389 264 1352		1	SHIM (0.10mm)
9	389 264 1652		1	SHIM (0.30mm)
9	389 264 1752		1	SHIM (0.50mm)
10	009 981 6705	(009 981 7205)	1	ROLLER BEARING
11	385 993 3701		5	SPRING

P.T.O. (POWER TAKE OFF)
N.M.V. GEARBOX



GEARBOX G240-16

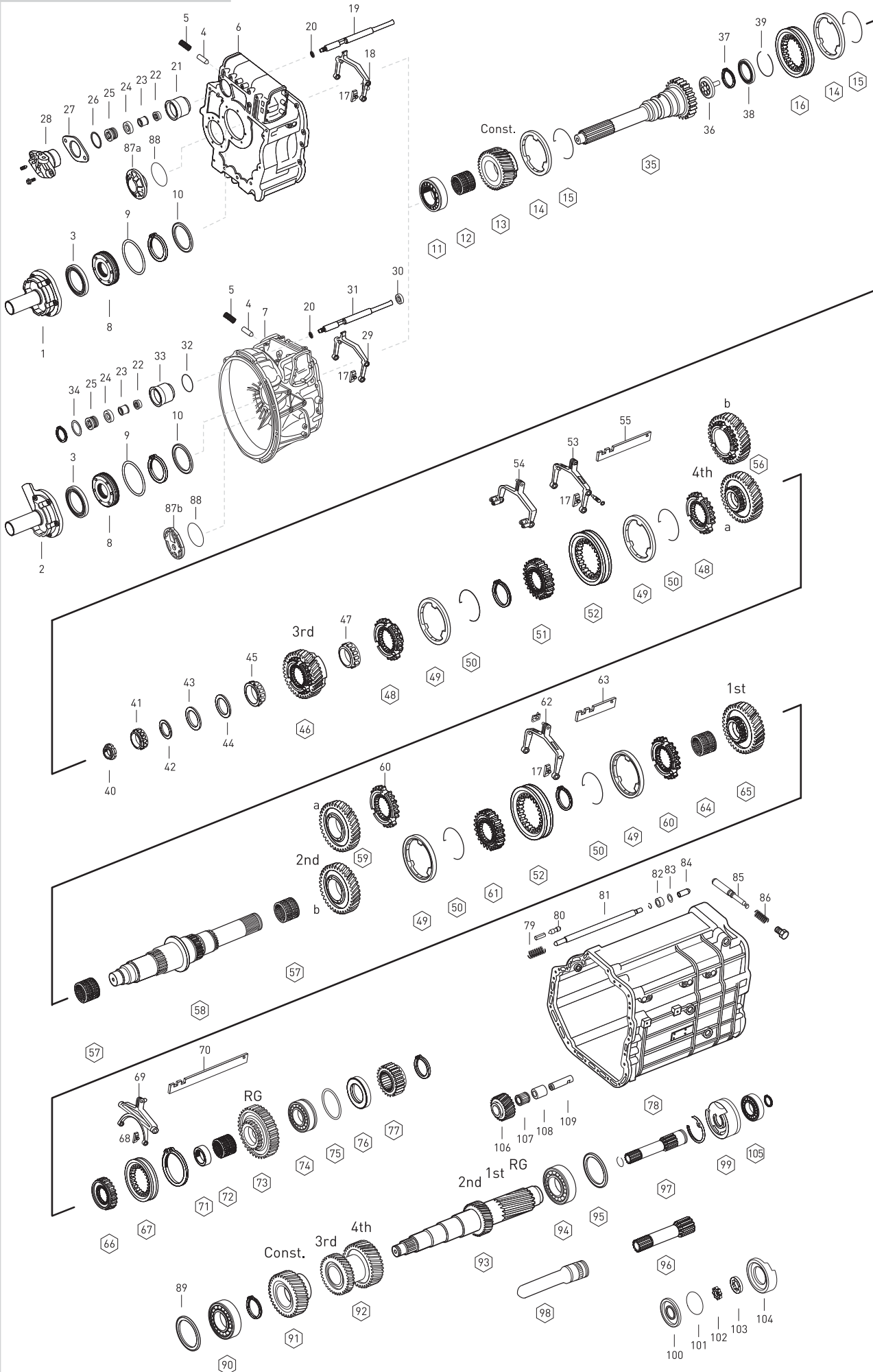


Fig	o.	Oem No	Oem Old No	Pcs	Description	Sizes	Notes	[X1]: G240-16/117-0,69	[X2]: G240-16/117-0,69	[X3]: G240-16/117-0,69	[X4]: G240-16	[X5]: G240-16	[X6]: G240-16	[X7]: G240-16
1		389 261 4518		1	COVER			◆	◆					
2		945 261 1218	(389 261 4818)	1	COVER					◆				
2		945 261 1118	(945 261 0118)	1	COVER						◆	◆	◆	◆
			(945 261 0818)											
3		023 997 7847	(019 997 0547)	1	OIL SEAL	56X72X8mm					◆	◆	◆	◆
3		022 997 8547		1	OIL SEAL			◆	◆	◆				
4		389 267 1174	(387 267 0034)	1	PIN			◆	◆	◆	◆	◆	◆	◆
5		387 993 4401		1	SPRING	9.8X63.3mm		◆	◆	◆	◆	◆	◆	◆
5		387 993 4501		1	SPRING	6.2X63.0mm		◆	◆	◆	◆	◆	◆	◆
6		389 261 0408	(389 261 9702)	1	HOUSING		[10]	◆	◆					
6		389 261 7502	(389 261 7802)	1	HOUSING		[9]	◆	◆					
7		655 260 2823		1	HOUSING					◆				
7		945 260 8412		1	HOUSING						◆			
7		945 260 5411		1	HOUSING						◆	◆		
7		945 260 0111		1	HOUSING						◆	◆		
7		945 260 2712	(945 260 7211)	1	HOUSING						◆	◆	◆	◆
			(945 260 2212)											
			(945 260 7311)											
7		945 260 4112		1	HOUSING						◆	◆	◆	◆
7		945 260 4811	(945 260 5211)	1	HOUSING						◆	◆		
			(945 260 2111)											
7		945 260 0911	(945 260 1911)	1	HOUSING						◆	◆		
8		389 261 0665		1	OIL BAFFLE			◆	◆	◆	◆	◆	◆	◆
9		020 997 7848		1	O-RING	128.0X3.0mm					◆	◆	◆	◆
9		028 997 2248	(019 997 7248)	1	O-RING	139.5X3.0mm		◆	◆	◆				
10		389 262 0955		1	SHIM	0.10mm	[11]	◆	◆	◆	◆	◆	◆	◆
10		389 262 0855		1	SHIM	0.15mm	[11]	◆	◆	◆	◆	◆	◆	◆
10		389 262 0755		1	SHIM	0.20mm	[11]	◆	◆	◆	◆	◆	◆	◆
10		389 262 0655		1	SHIM	0.40mm	[11]	◆	◆	◆	◆	◆	◆	◆
10		389 262 0255		1	SHIM	0.50mm	[11]	◆	◆	◆	◆	◆	◆	◆
10		389 262 0555		1	SHIM	0.80mm	[11]	◆	◆	◆	◆	◆	◆	◆
10		389 262 9654		1	SHIM	2.00mm	[11]	◆	◆	◆	◆	◆	◆	◆
10		389 262 3055		1	SHIM	0.25mm	[12]	◆	◆	◆	◆	◆	◆	◆
10		389 262 3255		1	SHIM	0.31mm	[12]	◆	◆	◆	◆	◆	◆	◆
10		389 262 3555		1	SHIM	0.40mm	[12]	◆	◆	◆	◆	◆	◆	◆
10		389 262 3855		1	SHIM	0.49mm	[12]	◆	◆	◆	◆	◆	◆	◆
10		389 262 4055		1	SHIM	0.55mm	[12]	◆	◆	◆	◆	◆	◆	◆
11		014 981 9005	(011 981 1305)	1	ROLLER BEARING	75X140X36mm		◆	◆	◆	◆	◆	◆	◆
12		018 981 8710		1	NEEDLE CAGE			◆	◆	◆	◆	◆	◆	◆
13		945 262 7517	(945 262 5417)	1	CONSTANT GEAR		[14]				◆	◆	◆	◆
			(945 262 5917)											

NOTES :

- [X1] : for gearbox numbered label no 715260 EPS
- [X2] : for gearbox numbered label no 715261 MPS
- [X3] : for gearboxes numbered label nos 715400-10-11 WSK 400+RETARDER
- [X4] : for gearbox numbered label no 715520
- [X5] : for gearbox numbered label no 715521
- [X6] : for gearbox numbered label no 715524
- [X7] : for gearbox numbered label no 715527
- [9] to gearbox number of 339359
- [10] from gearbox number of 339360
- [11] to gearbox number of 375914
- [12] from gearbox number of 375915
- [14] from gearbox number of 502735

GEARBOX G240-16

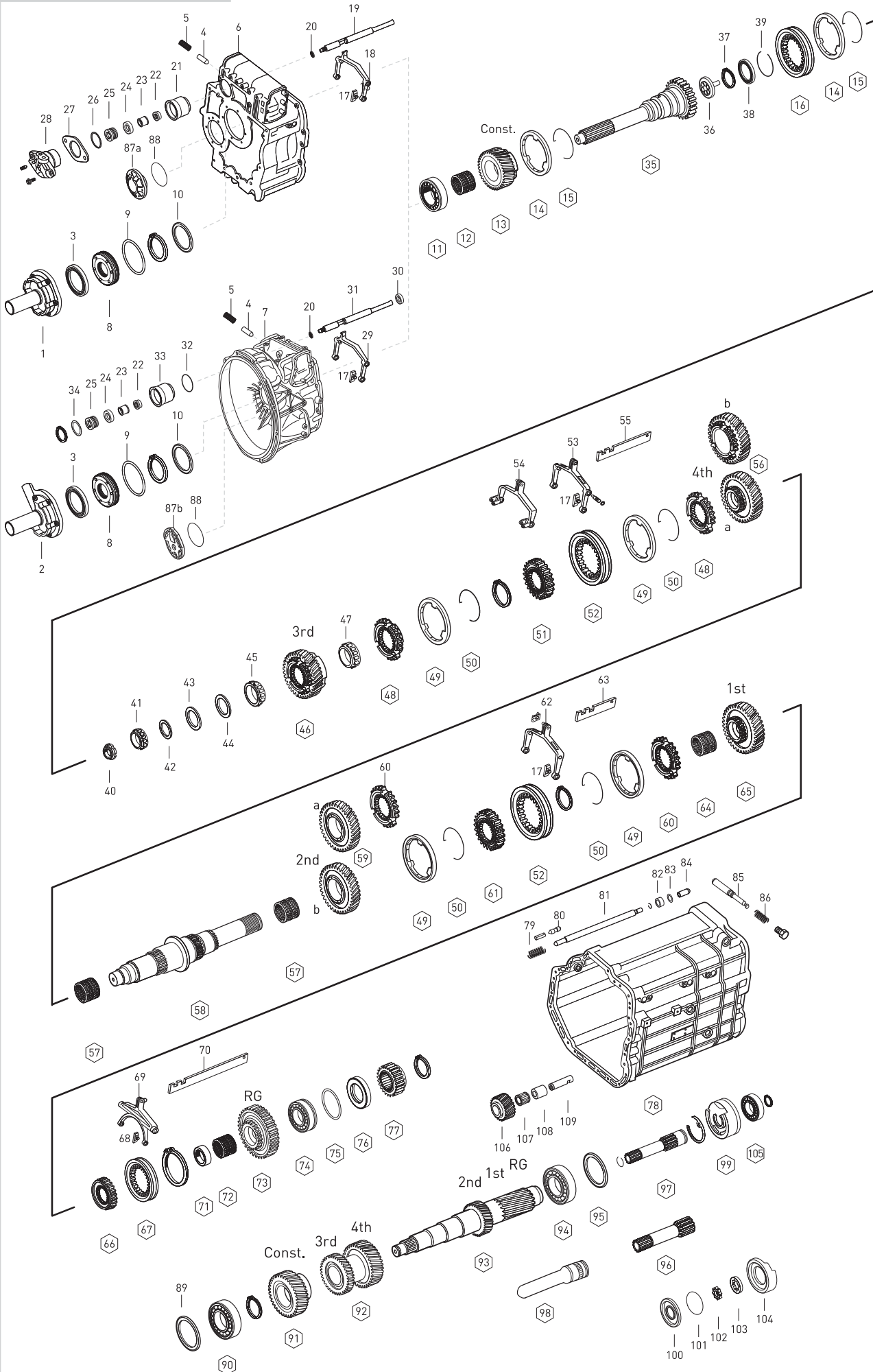


Fig	o.	Oem No	Oem Old No	Pcs.	Description	Sizes	Notes	[X1]: G240-16/11.7-0.69	[X2]: G240-16/11.7-0.69	[X3]: G240-16/11.7-0.69	[X4]: G240-16	[X5]: G240-16	[X6]: G240-16	[X7]: G240-16
13		945 262 4110	(945 262 1610)	1	T	CONSTANT GEAR	(13)	◆	◆	◆				
			(945 262 0010)											
			(389 262 6310)											
			(945 262 1110)											
			(945 262 1510)											
			(945 262 1210)											
			(945 262 3910)											
			(945 262 4010)											
			(945 262 3810)											
14		945 260 2245	(947 260 0545)	2	T	SYNCHRONIZING CONE 177.0mm	(14)				◆	◆	◆	◆
			(945 262 6337)											
14		945 260 0450		2	T	SYNCHRONIZING CONE 177.0mm	(13)	◆	◆	◆				
14		389 262 0637		2	T	SYNCHRONIZING CONE 177.0mm	(13)	◆	◆	◆				
15		387 262 1093		2	T	SPRING		◆	◆	◆	◆	◆	◆	◆
16		945 262 6823	(945 262 6423)	1	T	ENGAGING SLEEVE	(14)				◆	◆	◆	◆
16		945 262 2823	(945 262 0323)	1	T	ENGAGING SLEEVE	(13)	◆	◆	◆				
			(945 262 0623)											
			(389 262 4123)											
			(389 262 2723)											
17		947 265 0349	(389 265 2749)	6	H	SLIDING PAD		◆	◆	◆	◆	◆	◆	◆
18		389 265 1201		1	T	GEAR SHIT FORK		◆	◆	◆				
19		945 267 0117		1	T	G.SHIFT RAIL				◆				
19		389 267 2217		1	T	G.SHIFT RAIL		◆						
19		389 267 2017		1	T	G.SHIFT RAIL			◆					
20		387 263 2652		1	T	SPACER WASHER 0.20mm		◆	◆	◆	◆	◆	◆	◆
20		387 263 2752		1	T	SPACER WASHER 0.40mm		◆	◆	◆	◆	◆	◆	◆
20		387 263 2852		1	T	SPACER WASHER 0.60mm		◆	◆	◆	◆	◆	◆	◆
20		387 263 3052		1	T	SPACER WASHER 1.00mm		◆	◆	◆	◆	◆	◆	◆
21		389 267 3319	(389 267 2119)	1	T	CYLINDER		◆	◆	◆				
			(389 267 2219)											
			(389 267 0419)											
22		000 267 0197	(000 267 0397)	1	T	FLANGE PACKING		◆	◆	◆	◆	◆	◆	◆
23		387 267 0650		1	T	BUSHING		◆	◆	◆	◆	◆	◆	◆
24		012 997 3347	(006 997 6447)	1	T	DOUBLE PACKING		◆	◆	◆	◆	◆	◆	◆
25		945 267 0218	(387 267 0918)	1	T	PISTON		◆	◆	◆	◆	◆	◆	◆
			(387 267 0618)											
26		007 997 4248		1	T	O-RING 55.6X3.0mm		◆	◆					
26		014 997 1248		1	T	O-RING				◆				
27		387 263 3352		1	T	SPACER WASHER 0.20mm		◆	◆	◆				
27		387 263 3452		1	T	SPACER WASHER 0.40mm		◆	◆	◆				
27		387 263 3552		1	T	SPACER WASHER 0.60mm		◆	◆	◆				

NOTES :

- [X1] : for gearbox numbered label no 715260 EPS
- [X2] : for gearbox numbered label no 715261 MPS
- [X3] : for gearboxes numbered label nos 715400-10-11 WSK 400+RETARDER
- [X4] : for gearbox numbered label no 715520
- [X5] : for gearbox numbered label no 715521
- [X6] : for gearbox numbered label no 715524
- [X7] : for gearbox numbered label no 715527
- (13) to gearbox number of 502734
- (14) from gearbox number of 502735

GEARBOX G240-16

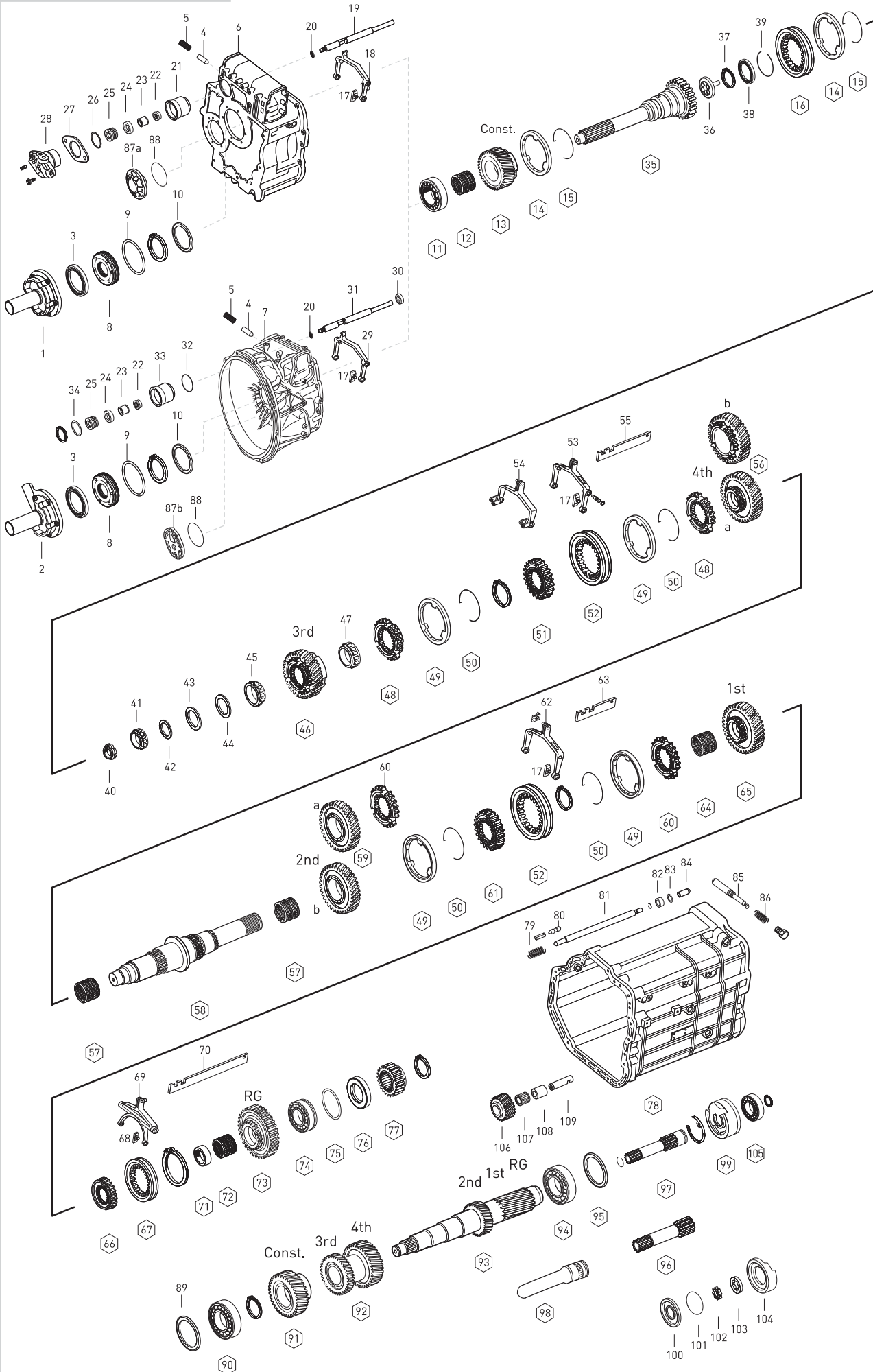


Fig	o.	Oem No	Oem Old No	Pcs.	Description	Sizes	Notes	[X1]: G240-16/117-0,69	[X2]: G240-16/117-0,69	[X3]: G240-16/117-0,69	[X4]: G240-16	[X5]: G240-16	[X6]: G240-16	[X7]: G240-16
27		387 263 3652		1	SPACER WASHER	0.80mm		◆	◆	◆				
27		387 263 3752		1	SPACER WASHER	1.00mm		◆	◆	◆				
27		387 263 3852		1	SPACER WASHER	2.00mm		◆	◆	◆				
28		389 267 2819	(389 267 2719)	1	COVER			◆	◆	◆				
			(389 267 2419)											
			(389 267 2319)											
			(389 267 1519)											
29		945 265 0001		1	GEAR SHIT FORK						◆	◆	◆	◆
30		389 267 0050	(389 268 0950)	1	BUSHING						◆	◆	◆	◆
31		945 267 0617		1	G.SHIFT RAIL						◆	◆		
31		945 267 0217		1	G.SHIFT RAIL						◆	◆		◆
31		945 267 0017		1	G.SHIFT RAIL						◆	◆	◆	◆
32		022 997 4248		1	O-RING						◆	◆	◆	◆
33		945 267 0819	(945 267 0119)	1	CYLINDER						◆	◆	◆	◆
			(945 267 0719)											
			(945 267 0019)											
34		389 262 2555		1	SPACER WASHER	0.70mm					◆	◆	◆	◆
34		389 262 2655		1	SPACER WASHER	0.90mm					◆	◆	◆	◆
34		389 262 3254		1	SPACER WASHER	1.05mm					◆	◆	◆	◆
34		389 262 3354		1	SPACER WASHER	1.10mm					◆	◆	◆	◆
34		389 262 3554		1	SPACER WASHER	1.20mm					◆	◆	◆	◆
34		389 262 2052		1	SPACER WASHER	1.40mm					◆	◆	◆	◆
34		389 262 2355		1	SPACER WASHER	1.80mm					◆	◆	◆	◆
34		389 262 3252		1	SPACER WASHER	2.00mm					◆	◆	◆	◆
34		389 262 3352		1	SPACER WASHER	2.50mm					◆	◆	◆	◆
35		945 262 0303		1	INPUT SHAFT						◆	◆	◆	◆
35		389 262 8301	(389 262 6301)	1	INPUT SHAFT						◆	◆	◆	◆
35		945 262 4403	(945 262 1001)	1	INPUT SHAFT					◆	◆	◆		
35		389 262 0003	(389 262 5601)	1	INPUT SHAFT					◆				
35		945 262 0703		1	INPUT SHAFT						◆	◆		
35		389 262 6601		1	INPUT SHAFT		(5)	◆	◆					
35		389 262 5101		1	INPUT SHAFT		(4)	◆	◆					
35		389 262 5201		1	INPUT SHAFT	PTO		◆	◆	◆				
36		976 269 0034		1	OIL PIPET		(5)(16)			◆	◆	◆	◆	◆
36		389 269 8534		1	OIL PIPET		(4)(15)	◆	◆					
37		000 994 9841		1	RETANING RING		(5)(16)			◆	◆	◆	◆	◆
37		007993 050 200		1	RETANING RING		(4)(15)	◆	◆					
38		000 262 8762	(019 997 2147)	1	OIL SEAL	79.5X104.5X7mm					◆	◆	◆	◆
			(019 997 2047)											
38		000 262 9162		1	OIL SEAL						◆	◆	◆	◆
38		018 997 7547	(018 997 7147)	1	OIL SEAL			◆	◆	◆				

NOTES :

- [X1] : for gearbox numbered label no 715260 EPS
- [X2] : for gearbox numbered label no 715261 MPS
- [X3] : for gearboxes numbered label nos 715400-10-11 WSK 400+RETARDER
- [X4] : for gearbox numbered label no 715520
- [X5] : for gearbox numbered label no 715521
- [X6] : for gearbox numbered label no 715524
- [X7] : for gearbox numbered label no 715527
- (4) to gearbox number of 433517
- (5) from gearbox number of 433518
- (15) to gearbox number of 514732
- (16) from gearbox number of 514733

GEARBOX G240-16

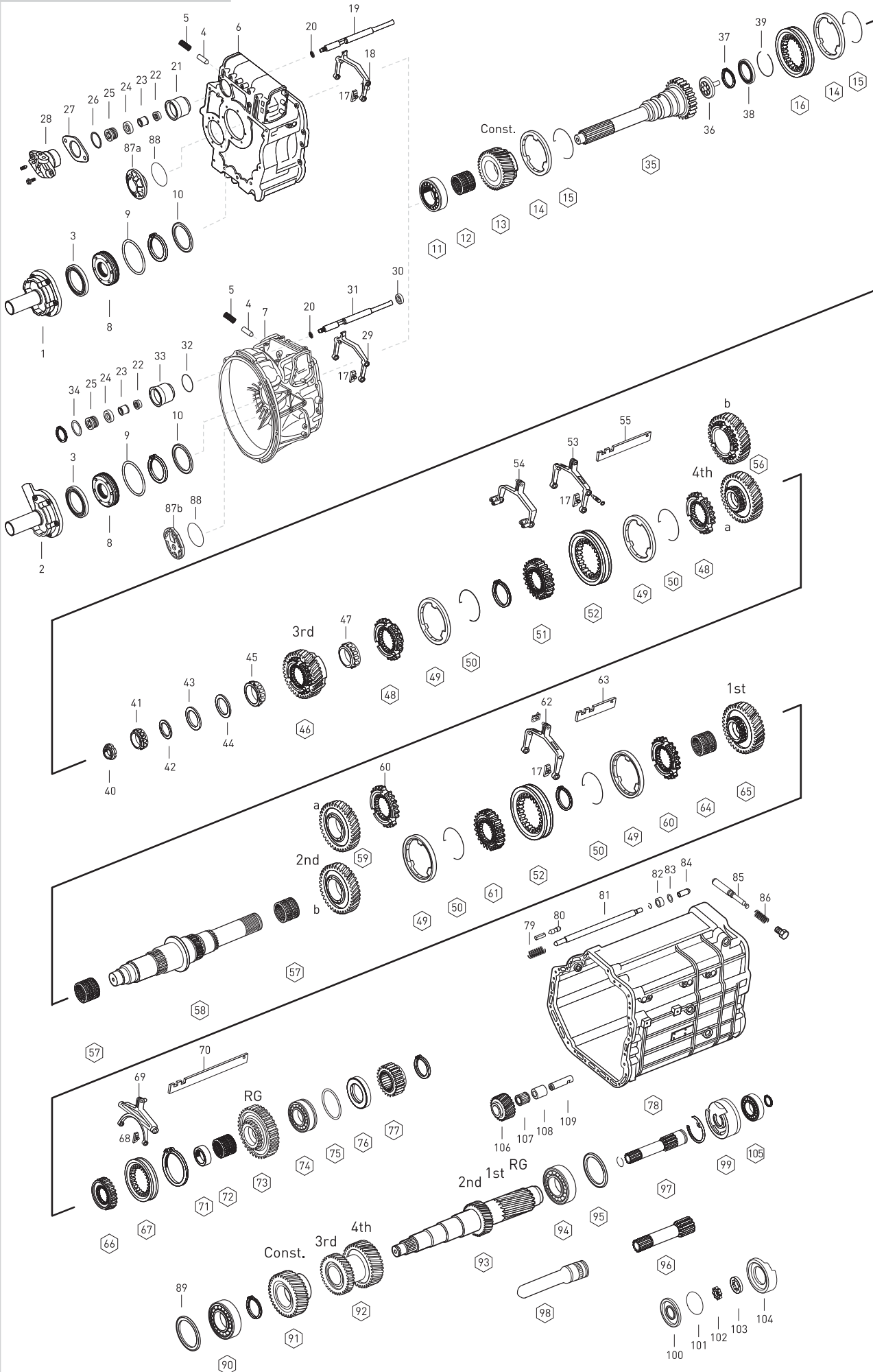


Fig	o.	Oem No	Oem Old No	Pcs	Description	Sizes	Notes	[X1]: G240-16/117-0,69	[X2]: G240-16/117-0,69	[X3]: G240-16/117-0,69	[X4]: G240-16	[X5]: G240-16	[X6]: G240-16	[X7]: G240-16
39		389 262 0973		1	LOCK RING			◆	◆	◆	◆	◆	◆	◆
40		945 990 0250		1	NUT		(2)(1)				◆	◆	◆	◆
40		945 990 0150	(945 990 0050)	1	NUT		(3)(4)(5)(6)	◆	◆	◆				
41		015 981 1605	(013 981 1105)	1	ROLLER BEARING			◆	◆	◆	◆	◆	◆	◆
42		389 262 5552		1	THRUST WASHER	1.20mm		◆	◆	◆				
42		389 262 5652		1	THRUST WASHER	0.80mm		◆	◆	◆				
42		389 262 5752		1	THRUST WASHER	0.50mm		◆	◆	◆				
42		389 262 5852		1	THRUST WASHER	0.20mm		◆	◆	◆				
42		389 262 5952		1	THRUST WASHER	0.10mm		◆	◆	◆				
43		389 262 2351		1	THRUST WASHER	7.00mm					◆	◆	◆	◆
44		389 262 3352		1	THRUST WASHER	2.50mm		◆	◆	◆	◆	◆	◆	◆
44		389 262 3252		1	THRUST WASHER	2.00mm		◆	◆	◆	◆	◆	◆	◆
44		389 262 3152		1	THRUST WASHER	1.95mm		◆	◆	◆	◆	◆	◆	◆
44		389 262 3052		1	THRUST WASHER	1.90mm		◆	◆	◆	◆	◆	◆	◆
44		389 262 2952		1	THRUST WASHER	1.85mm		◆	◆	◆	◆	◆	◆	◆
44		389 262 2455		1	THRUST WASHER	1.82mm		◆	◆	◆	◆	◆	◆	◆
44		389 262 2355		1	THRUST WASHER	1.79mm		◆	◆	◆	◆	◆	◆	◆
44		389 262 2255		1	THRUST WASHER	1.76mm		◆	◆	◆	◆	◆	◆	◆
44		389 262 2155		1	THRUST WASHER	1.73mm		◆	◆	◆	◆	◆	◆	◆
44		389 262 2055		1	THRUST WASHER	1.67mm		◆	◆	◆	◆	◆	◆	◆
44		389 262 1955		1	THRUST WASHER	1.64mm		◆	◆	◆	◆	◆	◆	◆
44		389 262 1855		1	THRUST WASHER	1.61mm		◆	◆	◆	◆	◆	◆	◆
44		389 262 1755		1	THRUST WASHER	1.58mm		◆	◆	◆	◆	◆	◆	◆
44		389 262 2352		1	THRUST WASHER	1.55mm		◆	◆	◆	◆	◆	◆	◆
44		389 262 1655		1	THRUST WASHER	1.52mm		◆	◆	◆	◆	◆	◆	◆
44		389 262 1555		1	THRUST WASHER	1.49mm		◆	◆	◆	◆	◆	◆	◆
44		389 262 1455		1	THRUST WASHER	1.46mm		◆	◆	◆	◆	◆	◆	◆
44		389 262 1355		1	THRUST WASHER	1.43mm		◆	◆	◆	◆	◆	◆	◆
44		389 262 2052		1	THRUST WASHER	1.40mm		◆	◆	◆	◆	◆	◆	◆
44		389 262 1952		1	THRUST WASHER	1.35mm		◆	◆	◆	◆	◆	◆	◆
44		389 262 2754		1	THRUST WASHER	1.30mm		◆	◆	◆	◆	◆	◆	◆
44		389 262 3654		1	THRUST WASHER	1.25mm		◆	◆	◆	◆	◆	◆	◆
44		389 262 3554		1	THRUST WASHER	1.20mm		◆	◆	◆	◆	◆	◆	◆
44		389 262 3454		1	THRUST WASHER	1.15mm		◆	◆	◆	◆	◆	◆	◆
44		389 262 3354		1	THRUST WASHER	1.10mm		◆	◆	◆	◆	◆	◆	◆
44		389 262 3254		1	THRUST WASHER	1.05mm		◆	◆	◆	◆	◆	◆	◆
44		389 262 2854		1	THRUST WASHER	0.50mm		◆	◆	◆	◆	◆	◆	◆
45		015 981 6105	(014 981 2605)	1	ROLLER BEARING		(5)	◆	◆	◆	◆	◆	◆	◆
45		012 981 9905	(012 981 0505)	1	ROLLER BEARING		(4)	◆	◆	◆	◆	◆	◆	◆
46		945 262 5617		1	GEAR 3rd		(17)				◆	◆	◆	◆
46		389 262 7910	(945 262 2810)	1	GEAR 3rd		(5)(17)	◆	◆	◆	◆	◆	◆	◆

NOTES :

- [X1] : for gearbox numbered label no 715260 EPS
- [X2] : for gearbox numbered label no 715261 MPS
- [X3] : for gearboxes numbered label nos 715400-10-11 WSK 400+RETARDER
- [X4] : for gearbox numbered label no 715520
- [X5] : for gearbox numbered label no 715521
- [X6] : for gearbox numbered label no 715524
- [X7] : for gearbox numbered label no 715527
- (1) from gearbox number of 235270 (5) from gearbox number of 433518
- (2) from gearbox number of 514620 (6) to gearbox number of 514619
- (3) to gearbox number of 235269 (17) welded version
- (4) to gearbox number of 433517

GEARBOX G240-16

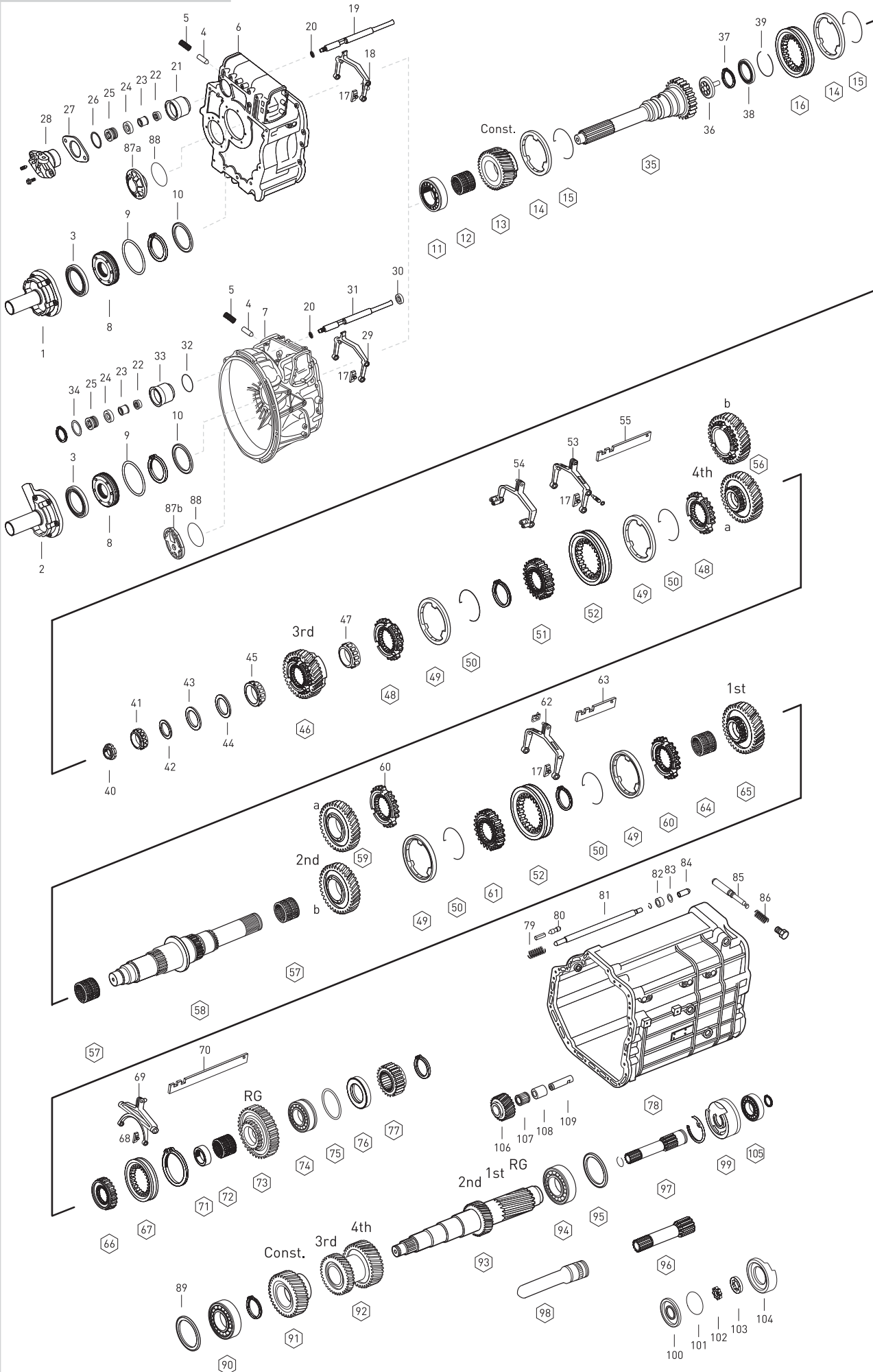


Fig.	Oem No	Oem Old No	Pcs.	Description	Sizes	Notes	[X1]: G240-16/117-0.69	[X2]: G240-16/117-0.69	[X3]: G240-16/117-0.69	[X4]: G240-16	[X5]: G240-16	[X6]: G240-16	[X7]: G240-16
46	389 262 3810		1	GEAR 3rd		(4)(17)	◆	◆	◆				
47	015 981 6205	(013 981 0005)	1	ROLLER BEARING			◆	◆	◆	◆	◆	◆	◆
48	945 262 5434		2		173.5mm					◆	◆	◆	◆
48	945 262 0534	(389 262 5034)	2		173.5mm	(5)	◆	◆	◆				
49	947 260 1945	(946 262 6137) (947 260 0745)	4		199.0mm					◆	◆	◆	◆
49	945 260 0650		4	SYNCHRONIZING CONE		(5)	◆	◆	◆				
49	389 262 0737		4	SYNCHRONIZING CONE	196.0mm	(5)	◆	◆	◆				
50	387 262 0893		4	SPRING	167.0mm		◆	◆	◆	◆	◆	◆	◆
51	389 262 4735	(389 262 4635)	1	GUIDE SLEEVE			◆	◆	◆	◆	◆	◆	◆
52	945 262 6523		2	ENGAGING SLEEVE						◆	◆	◆	◆
52	945 262 2723	(945 262 0423) (389 262 2623)	2	ENGAGING SLEEVE		(5)	◆	◆	◆				
53	389 265 1902		1	GEAR SHIT FORK		(5)	◆	◆	◆				
53	945 265 0402		1	GEAR SHIT FORK						◆	◆	◆	◆
54	389 260 4930	(389 260 3230)	1	GEAR SHIT FORK			◆	◆	◆				
54	945 260 0830		1	GEAR SHIT FORK						◆	◆	◆	◆
55	389 265 8204		1	SHIFTING ROD			◆	◆	◆				
55	945 265 0404		1	SHIFTING ROD	EPS					◆	◆		◆
55	945 265 0504		1	SHIFTING ROD	MPS					◆	◆	◆	◆
56a	389 262 3713	(945 262 3913) (945 262 1713) (389 262 3013)	1	GEAR 4th		(5)				◆	◆	◆	◆
56b	389 260 5719	(389 262 2013)	1	GEAR 4th		(4)(17)	◆	◆	◆				
57	018 981 6610		2	NEEDLE CAGE			◆	◆	◆	◆	◆	◆	◆
58	930 262 1205		1	MAIN SHAFT						◆	◆	◆	◆
58	945 262 4505		1	MAIN SHAFT		(2)(7)				◆	◆	◆	◆
58	945 262 3605	(945 262 3505)	1	MAIN SHAFT		(1)(8)(2)				◆	◆	◆	◆
58	945 262 1905	(389 262 2705) (945 262 1705) (945 262 1405) (945 262 1505) (945 262 1105) (945 262 1605)	1	MAIN SHAFT		(3)(5)(6)	◆	◆	◆				
58	389 262 2405		1	MAIN SHAFT		(4)	◆	◆	◆				
59a	945 262 6812		1	GEAR 2nd						◆	◆	◆	◆
59a	945 262 3112	(945 262 1712) (945 262 1612) (945 262 0812) (945 262 0712) (389 262 2812)	1	GEAR 2nd						◆	◆	◆	◆

NOTES :

- [X1] : for gearbox numbered label no 715260 EPS
- [X2] : for gearbox numbered label no 715261 MPS
- [X3] : for gearboxes numbered label nos 715400-10-11 WSK 400+RETARDER
- [X4] : for gearbox numbered label no 715520
- [X5] : for gearbox numbered label no 715521
- [X6] : for gearbox numbered label no 715524
- [X7] : for gearbox numbered label no 715527
- (1) from gearbox number of 235270 (5) from gearbox number of 433518
- (2) from gearbox number of 514620 (6) to gearbox number of 514619
- (3) to gearbox number of 235269 (8) to gearbox number of 344483
- (4) to gearbox number of 433517 (17) welded version

GEARBOX G240-16

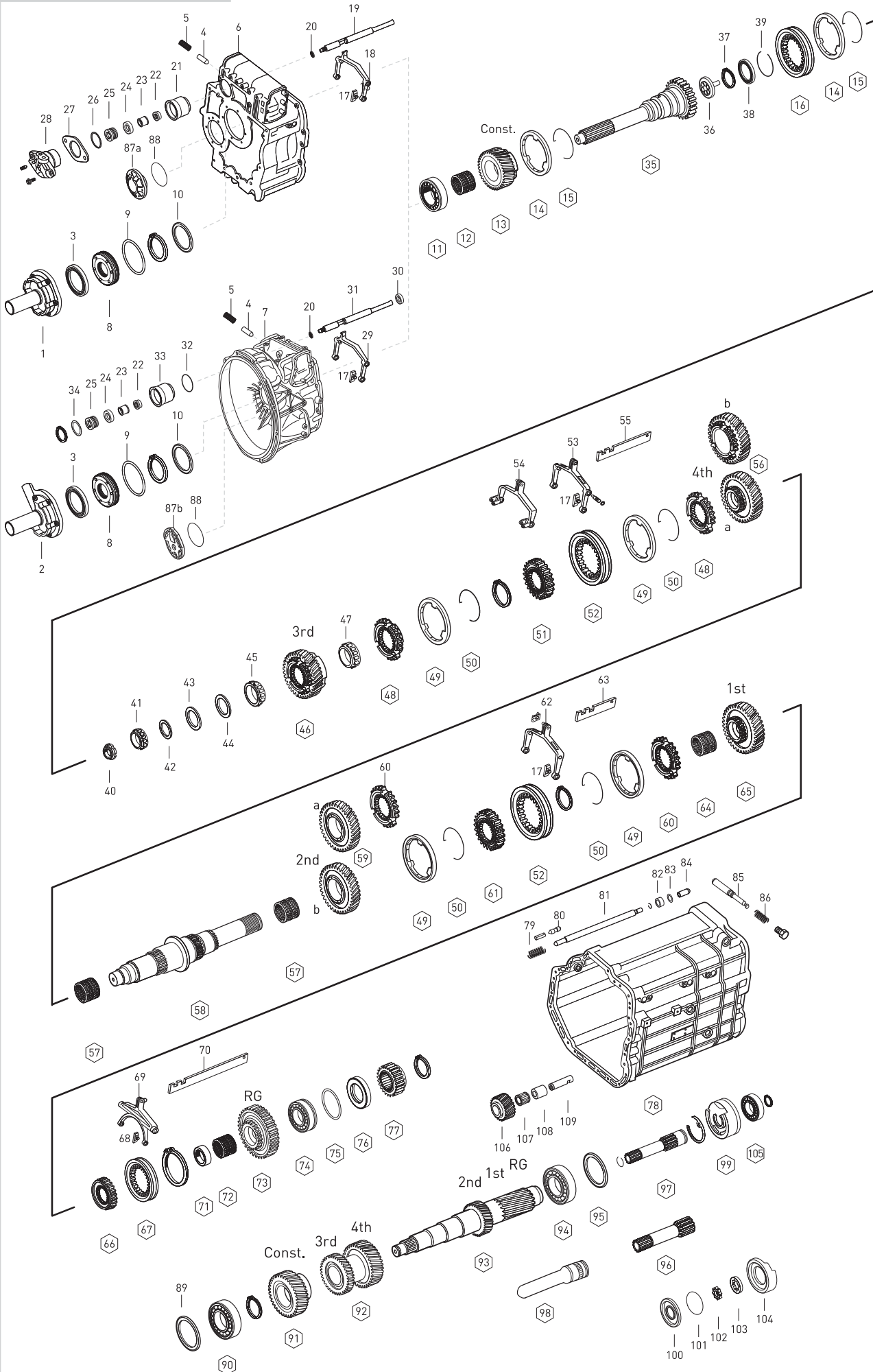


Fig	Oem No	Oem Old No	Pcs.	Description	Sizes	Notes	[X1]: G240-16/11.7-0.69	[X2]: G240-16/11.7-0.69	[X3]: G240-16/11.7-0.69	[X4]: G240-16	[X5]: G240-16	[X6]: G240-16	[X7]: G240-16
59a	945 262 3112	(389 262 2512)	1	GEAR 2nd						◆	◆	◆	◆
59b	389 260 4919	(389 262 2112)	1	GEAR 2nd		(17)	◆	◆	◆				
		(389 262 4734)											
60	945 262 5534		2	ENGAGING RING						◆	◆	◆	◆
60	945 262 0434	(389 262 0034)	2	ENGAGING RING						◆	◆	◆	◆
61	389 262 2535	(945 262 0135)	1	GUIDE SLEEVE			◆	◆	◆	◆	◆	◆	◆
62	389 260 3130		1	SHIFTING FORK			◆	◆	◆				
62	945 260 3630	(945 260 3030)	1	SHIFTING FORK						◆	◆		
62	945 260 0330	(945 260 0230)	1	SHIFTING FORK						◆	◆	◆	◆
63	945 265 1904	(945 265 1704)	1	SHIFTING ROD							◆		
63	945 265 1304	(945 265 1204)	1	SHIFTING ROD	MPS-EPS					◆	◆	◆	◆
		(945 265 0304)											
63	389 265 7804		1	SHIFTING ROD			◆	◆	◆				
64	018 981 8110	(018 981 7610)	1	NEEDLE CAGE		(7)				◆	◆	◆	◆
64	017 981 0210	(019 981 0910)	1	NEEDLE CAGE		(8)	◆	◆	◆	◆	◆	◆	◆
		(012 981 9210)											
		(008 981 8310)											
		(019 981 4410)											
65	389 262 2711	(945 262 3111)	1	GEAR 1st			◆	◆	◆	◆	◆	◆	◆
		(945 262 0811)											
		(389 262 2011)											
		(945 260 1608)											
		(389 260 6108)											
66	389 262 0135		1	HUB			◆	◆	◆	◆	◆	◆	◆
67	389 262 1823	(389 262 0923)	1	ENGAGING SLEEVE				◆		◆	◆		◆
67	389 262 1723	(389 262 0023)	1	ENGAGING SLEEVE			◆		◆			◆	
68	947 265 0249	(945 265 0149)	2	SLIDING PAD			◆	◆	◆	◆	◆	◆	◆
69	945 260 0430		1	SHIFTING FORK						◆	◆	◆	◆
69	389 260 4830	(389 260 3430)	1	SHIFTING FORK			◆	◆	◆				
70	945 265 3004		1	SHIFTING ROD						◆			
70	945 265 1004	(945 265 0104)	1	SHIFTING ROD	MPS					◆	◆	◆	◆
70	945 265 1104	(945 265 0204)	1	SHIFTING ROD	EPS					◆	◆		◆
70	389 265 3504		1	SHIFTING ROD			◆	◆	◆				
71	389 262 0150		1	BEARING RACE						◆	◆	◆	◆
71	389 262 2550	(389 262 1650)	1	BEARING RACE			◆	◆	◆				
		(389 262 0050)											
72	013 981 2610	(013 981 1810)	1	NEEDLE CAGE						◆	◆	◆	◆
72	009 981 1510	(017 981 7810)	1	NEEDLE CAGE			◆	◆	◆				
73	960 262 0033		1	REVERSE GEAR						◆	◆		◆
73	930 262 0233		1	REVERSE GEAR						◆	◆	◆	◆
73	945 262 3233	(389 262 2033)	1	REVERSE GEAR			◆	◆	◆	◆	◆	◆	◆

NOTES :

- [X1] : for gearbox numbered label no 715260 EPS
- [X2] : for gearbox numbered label no 715261 MPS
- [X3] : for gearboxes numbered label nos 715400-10-11 WSK 400+RETARDER
- [X4] : for gearbox numbered label no 715520
- [X5] : for gearbox numbered label no 715521
- [X6] : for gearbox numbered label no 715524
- [X7] : for gearbox numbered label no 715527
- (7) from gearbox number of 344484
- (8) to gearbox number of 344483
- (17) welded version

GEARBOX G240-16

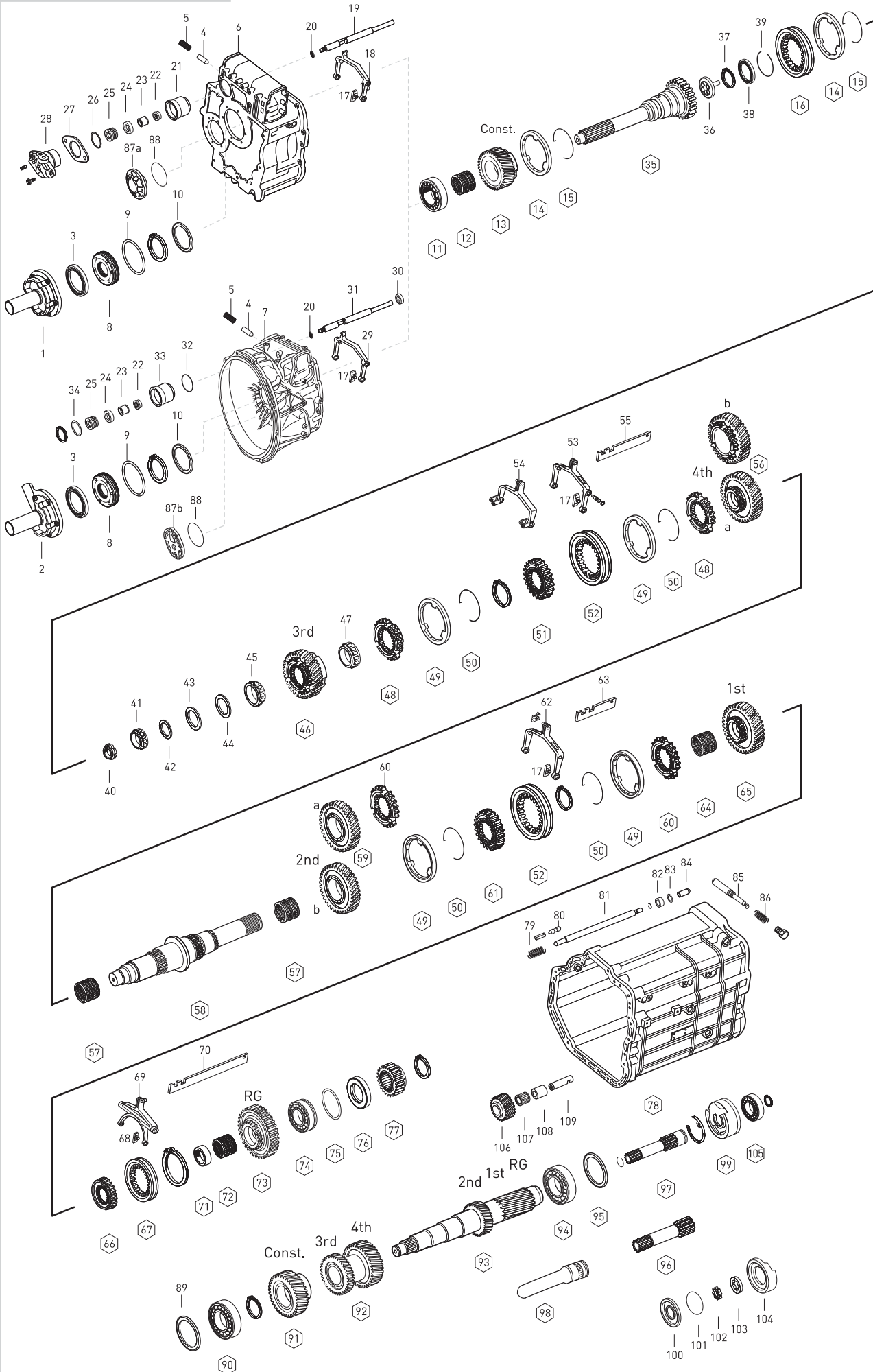


Fig	o. Oem No	Oem Old No	Pcs	Description	Sizes	Notes	[X1]: G240-16/117-0.69	[X2]: G240-16/117-0.69	[X3]: G240-16/117-0.69	[X4]: G240-16	[X5]: G240-16	[X6]: G240-16	[X7]: G240-16
73	945 262 3333	(389 262 2133)	1	REVERSE GEAR						◆	◆		
73	389 262 1733		1	REVERSE GEAR			◆						
74	016 981 1305	(014 981 7505)	1	ROLLER BEARING	60X130X30mm		◆	◆	◆	◆	◆	◆	◆
75	389 262 3552		1	SHIM	0.10mm		◆	◆	◆	◆	◆	◆	◆
75	389 262 3652		1	SHIM	0.15mm		◆	◆	◆	◆	◆	◆	◆
75	389 262 3752		1	SHIM	0.20mm		◆	◆	◆	◆	◆	◆	◆
75	389 262 3852		1	SHIM	0.40mm		◆	◆	◆	◆	◆	◆	◆
75	389 262 3952		1	SHIM	0.80mm		◆	◆	◆	◆	◆	◆	◆
76	945 262 0152	(945 262 0052)	1	THRUST WASHER			◆	◆	◆	◆	◆	◆	◆
77	945 262 0909	(389 262 0809)	1	SUN GEAR			◆	◆	◆	◆	◆	◆	◆
		(389 262 0909)											
78	945 261 5626		1	HOUSING						◆			
78	945 261 4826		1	HOUSING						◆			
78	945 261 3226	(945 261 8803)	1	HOUSING						◆			
		(945 261 8603)											
78	945 261 4126		1	HOUSING						◆			
78	945 261 8903		1	HOUSING						◆			
78	945 260 8211	(945 260 9911)	1	HOUSING						◆	◆		
		(945 260 8111)											
		(945 261 4103)											
		(945 261 4803)											
		(945 261 7803)											
		(945 261 8303)											
		(945 261 7203)											
		(945 261 4603)											
		(945 261 6803)											
		(945 261 3203)											
		(945 261 5403)											
78	945 261 3103	(945 261 3003)	1	HOUSING		[18]				◆	◆	◆	◆
		(945 261 4003)											
78	655 260 3623	(389 261 3126)	1	HOUSING		[10]	◆	◆	◆				
78	389 261 2903	(389 261 3303)	1	HOUSING		[9]	◆	◆					
78	389 261 8103		1	HOUSING					◆				
79	389 993 0501		1	SPRING			◆	◆	◆	◆	◆		
80	389 267 0474		1	PIN				◆	◆				
80	389 267 0674		1	PIN				◆	◆				
81	945 268 0225		1	SHIFTING ROD						◆	◆	◆	◆
81	389 268 4825		1	SHIFTING ROD				◆	◆				
82	389 268 0051		1	SPACER RING				◆	◆	◆	◆	◆	◆
83	000988 006 019		1	FITTED WASHER	0.10mm			◆	◆	◆	◆	◆	◆
83	000988 006 020		1	FITTED WASHER	0.20mm			◆	◆	◆	◆	◆	◆

NOTES :

- [X1] : for gearbox numbered label no 715260 EPS
- [X2] : for gearbox numbered label no 715261 MPS
- [X3] : for gearboxes numbered label nos 715400-10-11 WSK 400+RETARDER
- [X4] : for gearbox numbered label no 715520
- [X5] : for gearbox numbered label no 715521
- [X6] : for gearbox numbered label no 715524
- [X7] : for gearbox numbered label no 715527
- [9] to gearbox number of 339359
- [10] from gearbox number of 339360
- [18] to gearbox number of 035061

GEARBOX G240-16

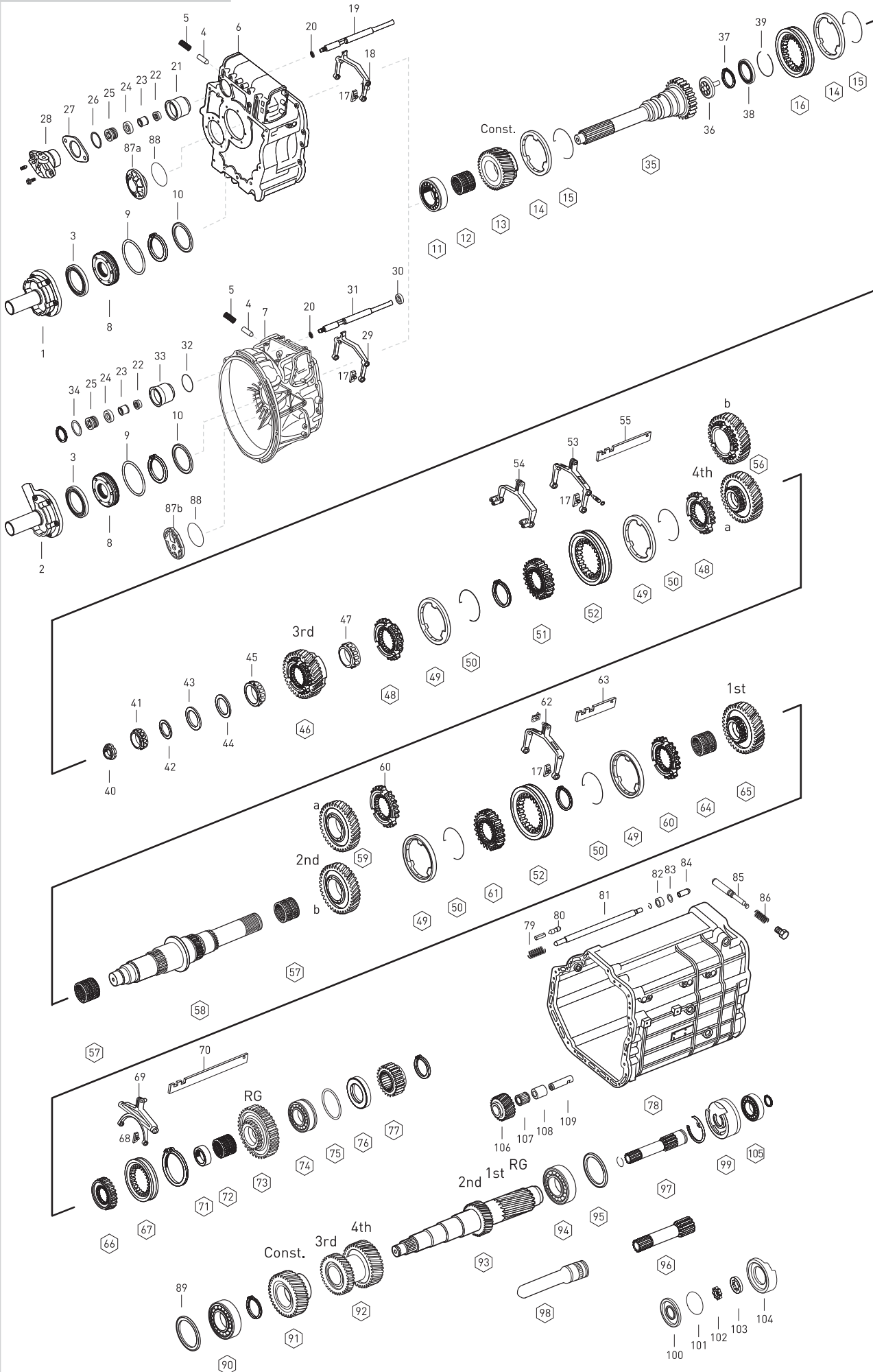


Fig	o.	Oem No	Oem Old No	Pc	Description	Sizes	Notes	[X1]: G240-16/117-0,69	[X2]: G240-16/117-0,69	[X3]: G240-16/117-0,69	[X4]: G240-16	[X5]: G240-16	[X6]: G240-16	[X7]: G240-16
83		000988 006 021		1	FITTED WASHER	0.30mm		◆	◆	◆	◆	◆	◆	◆
83		000988 006 013		1	FITTED WASHER	0.50mm		◆	◆	◆	◆	◆	◆	◆
83		000988 006 001		1	FITTED WASHER	1.00mm		◆	◆	◆	◆	◆	◆	◆
84		389 268 0674		1	PIN			◆	◆	◆	◆	◆	◆	◆
85		945 268 0374		1	PIN		◆				◆	◆		
85		389 267 0974		1	PIN		◆	◆	◆	◆	◆	◆		◆
85		945 267 0274	(389 267 0274)	1	PIN		◆				◆	◆		◆
86		389 993 0601		1	SPRING		◆	◆	◆	◆	◆	◆		◆
86		389 993 3401		1	SPRING		◆				◆	◆		◆
87a		389 261 1933		1	COVER		◆	◆	◆					
87b		976 261 1633	(976 261 1733)	1	COVER		[20]				◆	◆	◆	◆
			(976 261 1833)											
87b		976 261 1133	(976 261 0933)	1	COVER		[19]				◆	◆	◆	◆
			(976 261 1033)											
87b		976 261 2133	(976 261 2033)	1	COVER						◆	◆	◆	◆
87b		945 261 0333	(945 261 0233)	1	COVER						◆	◆	◆	◆
88		028 997 2348	(004 997 2248)	1	O-RING		[20]				◆	◆	◆	◆
88		015 997 4048	(022 997 3448)	1	O-RING		[19]	◆	◆	◆				
89		406 337 0252		1	SHIM	0.10mm		◆	◆	◆	◆	◆	◆	◆
89		406 337 0352		1	SHIM	0.20mm		◆	◆	◆	◆	◆	◆	◆
89		389 263 3252		1	SHIM	0.40mm		◆	◆	◆	◆	◆	◆	◆
89		389 263 3352		1	SHIM	0.45mm		◆	◆	◆	◆	◆	◆	◆
89		389 263 3852		1	SHIM	0.70mm		◆	◆	◆	◆	◆	◆	◆
89		389 263 3952		1	SHIM	0.75mm		◆	◆	◆	◆	◆	◆	◆
89		389 263 5352		1	SHIM	0.40mm		◆	◆	◆	◆	◆	◆	◆
89		389 263 5852		1	SHIM	0.55mm		◆	◆	◆	◆	◆	◆	◆
89		389 263 6352		1	SHIM	0.70mm		◆	◆	◆	◆	◆	◆	◆
89		389 263 6852		1	SHIM	0.85mm		◆	◆	◆	◆	◆	◆	◆
89		389 263 7352		1	SHIM	1.00mm		◆	◆	◆	◆	◆	◆	◆
89		389 263 7852		1	SHIM	1.15mm		◆	◆	◆	◆	◆	◆	◆
89		389 263 8352		1	SHIM	1.30mm		◆	◆	◆	◆	◆	◆	◆
90		014 981 1405	(013 981 0605)	1	ROLLER BEARING	51X100X37.5mm		◆	◆	◆	◆	◆	◆	◆
91		945 263 0710	(945 263 0810)	1	CONSTANT GEAR			◆	◆	◆	◆	◆	◆	◆
			(389 263 1410)											
92		945 263 3213	(945 263 0013)	1	DOUBLE GEAR 3rd/4th		[5]	◆	◆	◆	◆	◆	◆	◆
92		389 263 1813		1	DOUBLE GEAR 3rd/4th		[4]	◆	◆	◆				
93		945 263 0602	(945 263 0102)	1	COUNTER SHAFT						◆	◆	◆	◆
93		945 263 0902	(945 263 2902)	1	COUNTER SHAFT			◆	◆	◆	◆	◆	◆	◆
			(389 263 3102)											
			(389 263 2502)											
			(389 263 1602)											

NOTES :

- [X1] : for gearbox numbered label no 715260 EPS
- [X2] : for gearbox numbered label no 715261 MPS
- [X3] : for gearboxes numbered label nos 715400-10-11 WSK 400+RETARDER
- [X4] : for gearbox numbered label no 715520
- [X5] : for gearbox numbered label no 715521
- [X6] : for gearbox numbered label no 715524
- [X7] : for gearbox numbered label no 715527
- [4] to gearbox number of 433517
- [5] from gearbox number of 433518
- [19] to gearbox number of 041830
- [20] from gearbox number of 041831

GEARBOX G240-16

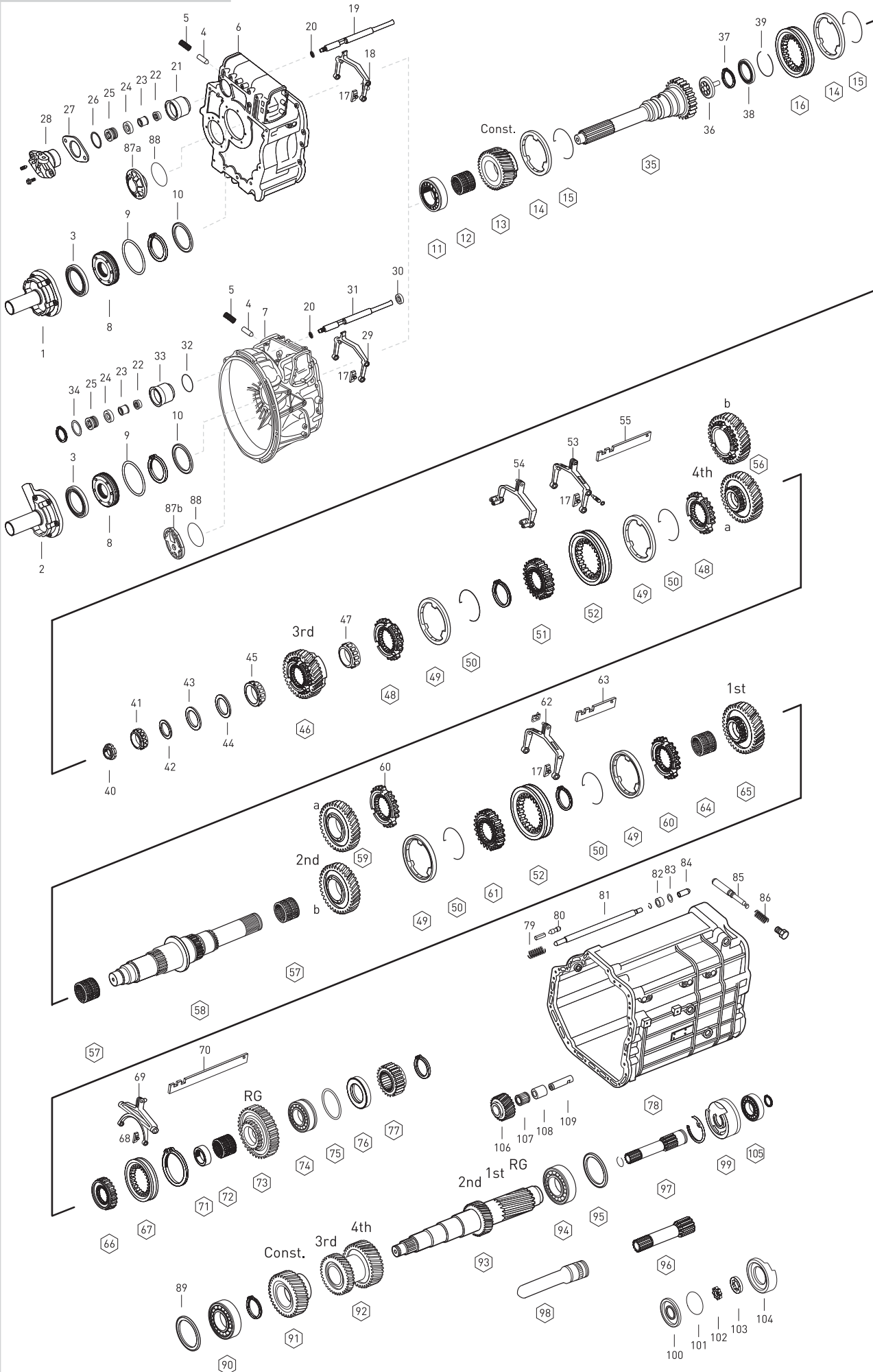


Fig.	Oem No	Oem Old No	Pcs	Description	Sizes	Notes	[X1]: G240-16/11.7-0.69	[X2]: G240-16/11.7-0.69	[X3]: G240-16/11.7-0.69	[X4]: G240-16	[X5]: G240-16	[X6]: G240-16	[X7]: G240-16
93	945 263 0902	(389 263 1302)	1	COUNTER SHAFT			◆	◆	◆	◆	◆	◆	◆
94	012 981 9405	(016 981 1205)	1	ROLLER BEARING	60x130x34mm		◆	◆	◆	◆	◆	◆	◆
95	389 263 0152		1	SHIM	0.10mm		◆	◆	◆	◆	◆	◆	◆
95	389 263 4052		1	SHIM	0.60mm		◆	◆	◆	◆	◆	◆	◆
95	389 263 4152		1	SHIM	0.65mm		◆	◆	◆	◆	◆	◆	◆
95	389 263 4252		1	SHIM	0.70mm		◆	◆	◆	◆	◆	◆	◆
95	389 263 4352		1	SHIM	0.75mm		◆	◆	◆	◆	◆	◆	◆
95	389 263 0552		1	SHIM	0.80mm		◆	◆	◆	◆	◆	◆	◆
95	389 263 4452		1	SHIM	0.85mm		◆	◆	◆	◆	◆	◆	◆
95	389 263 4552		1	SHIM	0.90mm		◆	◆	◆	◆	◆	◆	◆
95	389 263 4652		1	SHIM	0.95mm		◆	◆	◆	◆	◆	◆	◆
95	389 263 4752		1	SHIM	1.00mm		◆	◆	◆	◆	◆	◆	◆
95	389 263 4852		1	SHIM	1.05mm		◆	◆	◆	◆	◆	◆	◆
95	389 263 4952		1	SHIM	1.10mm		◆	◆	◆	◆	◆	◆	◆
95	389 263 5052		1	SHIM	1.15mm		◆	◆	◆	◆	◆	◆	◆
96	947 269 1110	(947 269 1010)	1	OIL PUMP SHAFT						◆	◆	◆	◆
		(945 269 1110)											
		(945 269 1010)											
97	947 264 0005	(389 269 1210)	1	OIL PUMP SHAFT			◆	◆	◆	◆	◆		
		(389 269 0310)											
98	945 269 0067		1	OIL COLLECTOR			◆	◆	◆	◆	◆	◆	◆
99	389 260 0690	(389 260 0590)	1	OIL PUMP			◆	◆	◆	◆	◆	◆	◆
100	945 269 0201		1	OIL PUMP COVER			◆	◆	◆	◆	◆	◆	◆
101	029 997 5748		1	OIL SEAL			◆	◆	◆	◆	◆	◆	◆
102	389 269 1406		1	OIL PUMP GEAR			◆	◆	◆	◆	◆	◆	◆
103	389 269 0706		1	ROTOR			◆	◆	◆	◆	◆	◆	◆
104	389 269 3801		1	OIL PUMP HOUSING			◆	◆	◆	◆	◆	◆	◆
105	004 981 8625		1	ROLLER BEARING			◆	◆	◆	◆	◆	◆	◆
106	389 263 1031		1	REV.IDLER GEAR			◆	◆	◆	◆	◆	◆	◆
107	019 981 1310	(012 981 8910)	1	NEEDLE CAGE			◆	◆	◆	◆	◆	◆	◆
108	389 263 0850		1	BUSHING			◆	◆	◆	◆	◆	◆	◆
109	389 263 0430		1	PIN			◆	◆	◆				
109	976 263 0030		1	PIN						◆	◆	◆	◆

NOTES :

- [X1] : for gearbox numbered label no 715260 EPS
- [X2] : for gearbox numbered label no 715261 MPS
- [X3] : for gearboxes numbered label nos 715400-10-11 WSK 400+RETARDER
- [X4] : for gearbox numbered label no 715520
- [X5] : for gearbox numbered label no 715521
- [X6] : for gearbox numbered label no 715524
- [X7] : for gearbox numbered label no 715527

GEARBOX G240-16

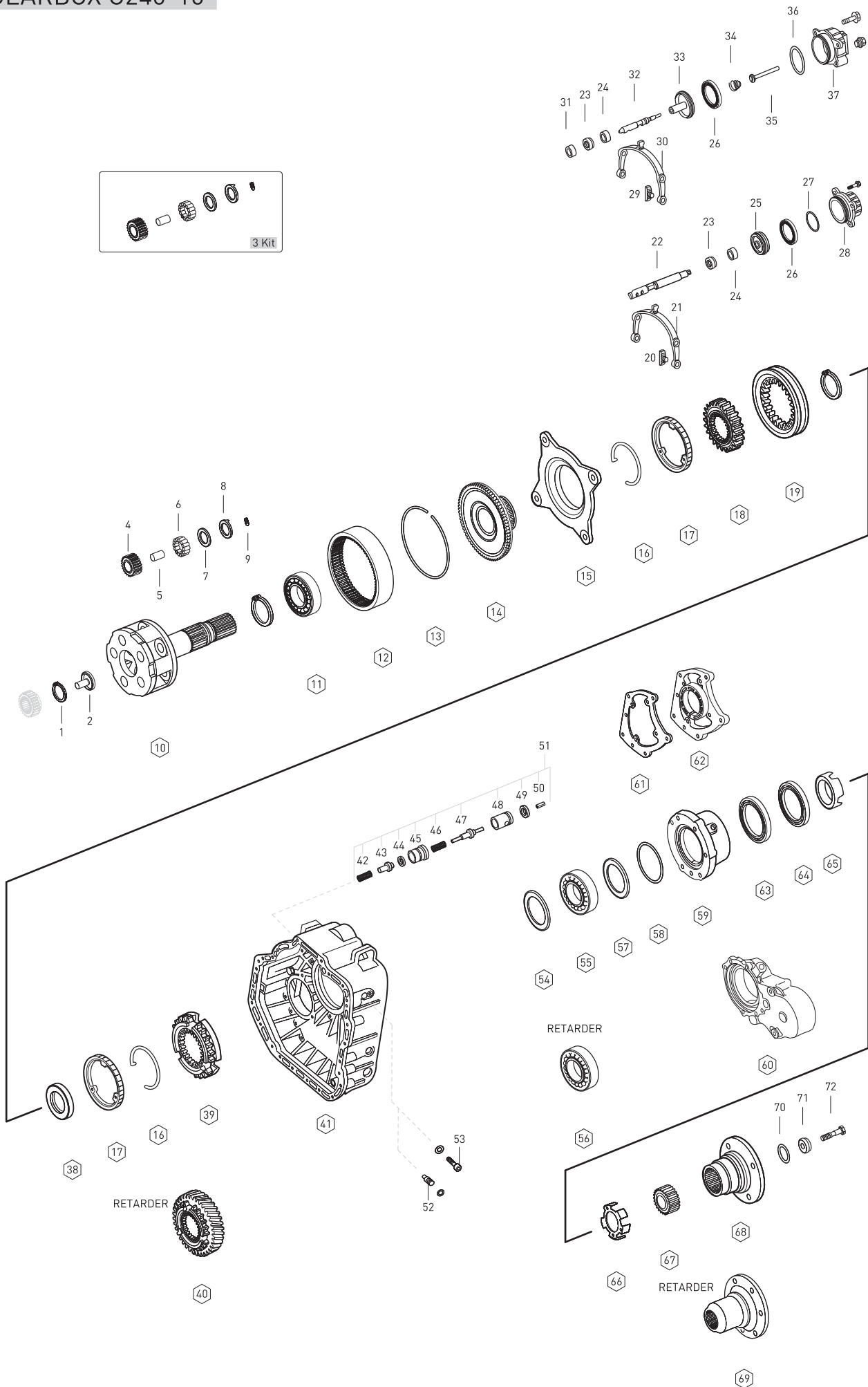


Fig	o.	Oem No	Oem Old No	Pcs.	Description	Sizes	Notes	[X1]: G240-16/117-0,69	[X2]: G240-16/117-0,69	[X3]: G240-16/117-0,69	[X4]: G240-16	[X5]: G240-16	[X6]: G240-16	[X7]: G240-16
1		000472 060 000		1	SNAP RING			◆	◆	◆	◆	◆	◆	◆
2		945 269 0834	(389 269 4734)	1	OIL TUBE			◆	◆	◆	◆	◆	◆	◆
3		655 260 0197		5	PLANETARY GEAR SET			◆	◆	◆	◆	◆	◆	◆
4		945 262 0006		5	PLANETARY GEAR			◆	◆	◆	◆	◆	◆	◆
5		389 262 0407		5	PLANETARY SHAFT			◆	◆	◆	◆	◆	◆	◆
6		000 981 4386	(000 981 4186)	125	NEEDLE ROLLER	4,995X39,60mm		◆	◆	◆	◆	◆	◆	◆
7		945 262 0162	(389 262 0262)	10	THRUST WASHER	35,35X65,50X1,25		◆	◆	◆	◆	◆	◆	◆
8		389 262 6462	(389 262 0162)	10	THRUST WASHER	35,35X43,90X1,00		◆	◆	◆	◆	◆	◆	◆
9		000914 006 109		5	THREADED PIN	5,90X13,90mm		◆	◆	◆	◆	◆	◆	◆
10		946 260 3561	(946 260 3661)	1	PLANETARY CARRIER						◆	◆	◆	◆
			(945 260 4561)											
			(945 260 4461)											
10		389 260 8761	(389 260 8661)	1	PLANETARY CARRIER			◆	◆	◆				
			(389 260 4661)											
			(389 260 5261)											
11		008 981 1325		1	ROLLER BEARING	90X130X14mm		◆	◆	◆	◆	◆	◆	◆
12		945 262 0808		1	RING WHEEL 85 T						◆	◆	◆	◆
12		945 262 0208		1	RING WHEEL 85 T	70,0mm		◆	◆	◆	◆	◆	◆	◆
12		389 262 0708		1	RING WHEEL 85 T	64,0mm		◆	◆	◆				
13		389 262 0773		1	LOCK RING			◆	◆	◆	◆	◆	◆	◆
14		389 262 1425		1	CARRIER HUB 85 T			◆	◆	◆	◆	◆	◆	◆
15		947 260 3036	(947 260 0836)	1	FOLLOWER RING		(4)				◆	◆	◆	◆
15		389 260 2036		1	FOLLOWER RING		(3)	◆	◆	◆				
16		389 262 0293		2	SPRING			◆	◆	◆	◆	◆	◆	◆
17		947 260 3045	(947 260 0945)	2	SYNCHRONIZING CONE		(4)				◆	◆	◆	◆
17		945 260 0850		2	SYNCHRONIZING CONE		(3)	◆	◆	◆				
17		389 262 0537		2	SYNCHRONIZING CONE		(3)	◆	◆	◆				
18		389 262 4935	(389 262 2035)	1	GUIDE SLEEVE			◆	◆	◆	◆	◆	◆	◆
19		930 262 0623	(945 262 6923)	1	ENGAGING SLEEVE		(4)				◆	◆	◆	◆
19		945 262 6623	(945 262 2623)	1	ENGAGING SLEEVE		(3)	◆	◆	◆				
			(945 262 0823)											
			(389 262 3823)											
			(389 262 3623)											
			(389 262 1623)											
20		389 265 2449		2	SLIDING PAD		(3)	◆	◆	◆				
21		947 265 1701	(947 265 1901)	1	SHIFTING FORK			◆	◆	◆				
			(930 265 0001)											
			(389 265 0901)											
			(389 265 0201)											
22		389 267 3417		1	SHIFTING ROD			◆						
22		389 267 7217	(389 267 3917)	1	SHIFTING ROD			◆	◆	◆				

NOTES :

- [X1] : for gearboxes numbered label nos 715260 EPS, 715261 MPS
- [X2] : for gearbox numbered label no 715400 WSK 400+RETARDER
- [X3] : for gearboxes numbered label nos 715410-11 WSK 400+RETARDER
- [X4] : for gearbox numbered label no 715520
- [X5] : for gearbox numbered label no 715521
- [X6] : for gearbox numbered label no 715524
- [X7] : for gearbox numbered label no 715527
- (3) to gearbox number of 366886
- (4) from gearbox number of 366887

GEARBOX G240-16

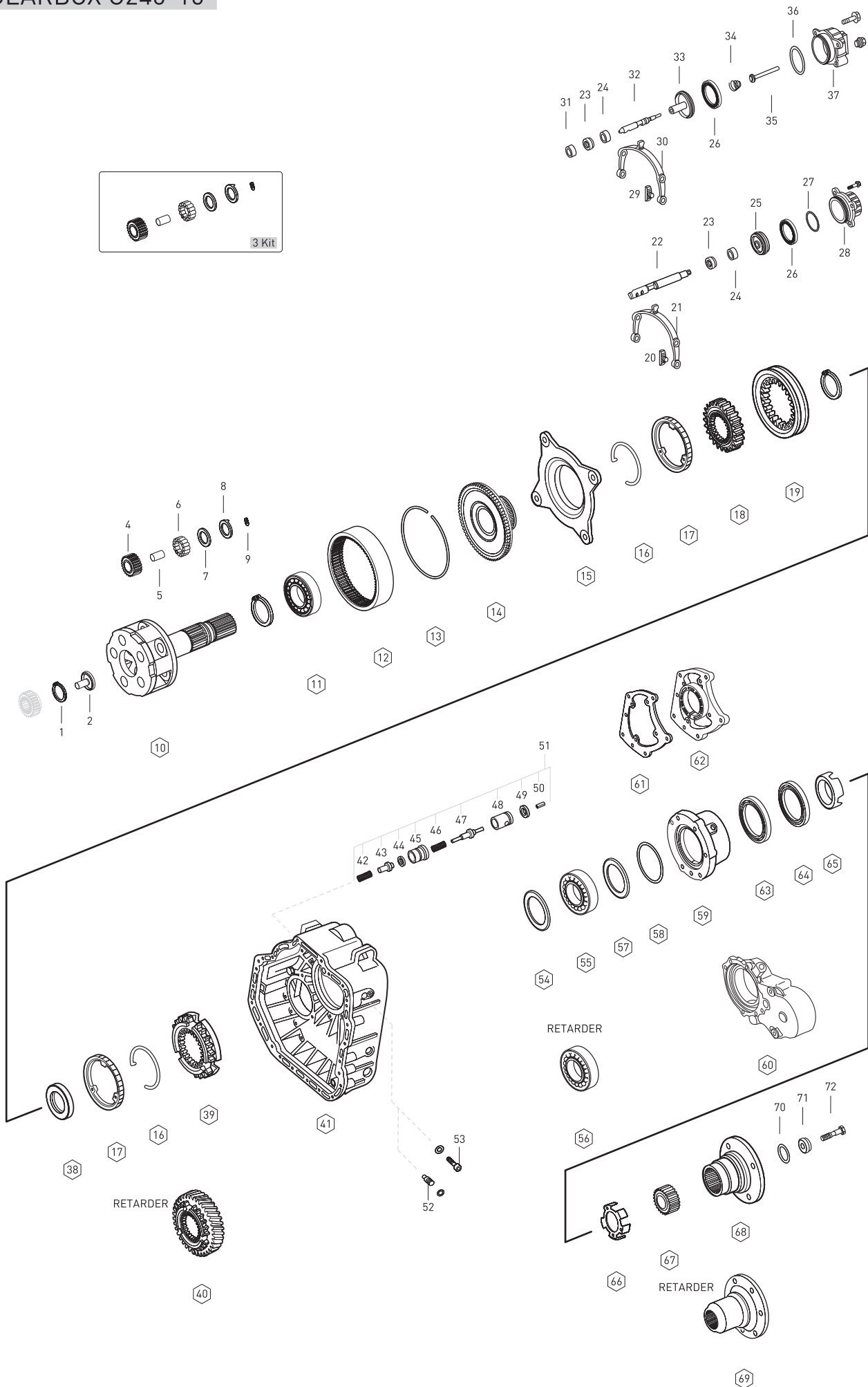


Fig	o.	Oem No	Oem Old No	Pcs.	Description	Sizes	Notes	[X1]: G240-16/11.7-0.69	[X2]: G240-16/11.7-0.69	[X3]: G240-16/11.7-0.69	[X4]: G240-16	[X5]: G240-16	[X6]: G240-16	[X7]: G240-16
23		000 267 0197	(000 267 0397)	1	FLANGE PACKING			◆	◆	◆	◆	◆	◆	◆
24		387 267 0650		1	BUSHING			◆	◆	◆	◆	◆	◆	◆
25		389 267 1018	(389 267 0118)	1	PISTON			◆	◆	◆				
26		024 997 8347	(020 997 6747)	1	SEAL RING			◆	◆	◆	◆	◆	◆	◆
			(014 997 3647)											
			(014 997 5147)											
27		013 997 7548		1	O-RING	89.5X3.0mm		◆	◆	◆				
28		945 267 1119	(389 267 2919)	1	SHIFTING CYLINDER			◆	◆	◆				
			(389 267 1319)											
			(389 267 1419)											
			(389 267 4219)											
29		947 265 0349	(389 265 2749)	2	SLIDING PAD		[4]				◆	◆	◆	◆
30		947 265 2701	(947 265 2601)	1	SHIFTING FORK						◆	◆	◆	◆
31		000 992 7703	(389 267 2250)	1	BUSHING						◆	◆	◆	◆
32		930 267 0217	(945 267 2217)	1	SHIFTING ROD						◆	◆	◆	◆
			(945 267 2117)											
32		930 260 1189	(930 260 0389)	1	SHIFTING ROD						◆			
32		930 260 2889	(389 267 7617)	1	SHIFTING ROD						◆	◆	◆	◆
			(389 267 6917)											
32		930 260 1589	(930 260 0789)	1	SHIFTING ROD						◆	◆	◆	◆
32		930 260 2789	(389 267 7317)	1	SHIFTING ROD						◆	◆	◆	◆
32		930 260 1489	(930 260 0689)	1	SHIFTING ROD						◆	◆	◆	◆
			(930 260 1689)											
			(930 260 0889)											
32		930 260 2589	(389 267 3517)	1	SHIFTING ROD						◆	◆	◆	◆
33		930 267 0618		1	PISTON						◆	◆	◆	◆
33		945 267 0718		1	PISTON						◆	◆	◆	◆
34		008 993 0801		1	SPRING						◆	◆	◆	◆
34		000 993 6705		1	SPRING						◆	◆	◆	◆
35		000 543 5785		1	PIN						◆	◆	◆	◆
35		000 543 5485	(000 543 5185)	1	PIN						◆	◆	◆	◆
36		017 997 6545		1	O-RING	96.0X1.5mm					◆	◆	◆	◆
37		945 267 1319	(945 267 1619)	1	SHIFTING CYLINDER						◆	◆	◆	◆
37		945 267 1219	(945 267 1019)	1	SHIFTING CYLINDER							◆		
			(945 267 0519)											
38		389 262 0251		1	SPACER RING			◆	◆	◆	◆	◆	◆	◆
39		945 262 3834		1	ENGAGING RING		[4]				◆	◆	◆	◆
39		945 262 1234	(389 262 9234)	1	ENGAGING RING		[2][3]	◆	◆	◆				
39		389 262 4434		1	ENGAGING RING		[1]	◆						
40		930 264 0420	(945 264 0620)	1	ENGAGING RING RETARDER		[4]				◆	◆		◆
40		930 264 0220	(945 264 0420)	1	ENGAGING RING RETARDER		[3]				◆	◆		◆

NOTES :

- [X1] : for gearboxes numbered label nos 715260 EPS, 715261 MPS
- [X2] : for gearbox numbered label no 715400 WSK 400+RETARDER
- [X3] : for gearboxes numbered label nos 715410-11 WSK 400+RETARDER
- [X4] : for gearbox numbered label no 715520
- [X5] : for gearbox numbered label no 715521
- [X6] : for gearbox numbered label no 715524
- [X7] : for gearbox numbered label no 715527
- (1) to gearbox number of 380570
- (2) from gearbox number of 380571
- (3) to gearbox number of 366886
- (4) from gearbox number of 366887

GEARBOX G240-16

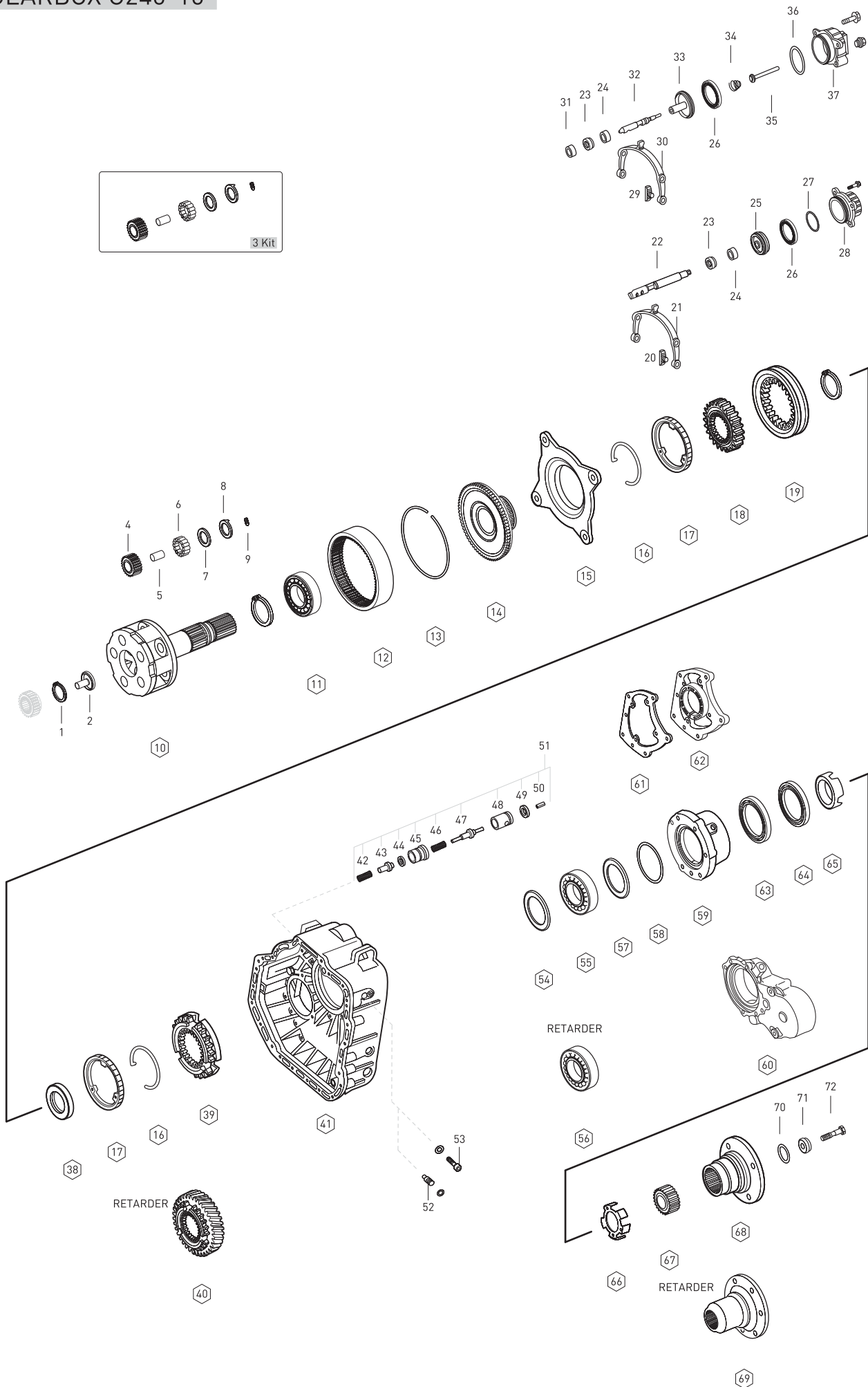


Fig	o.	Oem No	Oem Old No	Pcs.	Description	Sizes	Notes	[X1]: G240-16/11.7-0.69	[X2]: G240-16/11.7-0.69	[X3]: G240-16/11.7-0.69	[X4]: G240-16	[X5]: G240-16	[X6]: G240-16	[X7]: G240-16
40		930 264 0220	(945 264 0220)	1	ENGAGING RING	RETARDER	(3)				◆	◆		◆
40		930 264 0320	(945 264 0520)	1	ENGAGING RING	RETARDER	(4)				◆			
40		945 264 0130		1	ENGAGING RING	RETARDER	(6)(3)				◆			
40		389 264 0730	(389 264 0430)	1	ENGAGING RING	RETARDER	(5)				◆			
41		945 260 6812		1	HOUSING		(4)				◆	◆	◆	◆
41		945 261 4903	(945 261 9803)	1	HOUSING		(3)(4)				◆	◆	◆	◆
			(945 261 4503)											
41		945 261 1403	(945 261 0703)	1	HOUSING						◆	◆	◆	◆
41		930 260 1811		1	HOUSING						◆			
41		945 260 6912		1	HOUSING						◆			
41		930 260 2411		1	HOUSING						◆	◆		
41		930 260 1511	(930 260 1411)	1	HOUSING						◆	◆		
41		945 261 3826	(945 261 4303)	1	HOUSING		(8)				◆	◆		
			(945 261 0426)											
			(945 261 4703)											
			(945 261 2803)											
41		930 260 2311		1	HOUSING						◆	◆		◆
41		945 261 2503		1	HOUSING		(7)				◆	◆		
41		945 261 3503	(945 261 0326)	1	HOUSING		(9)				◆	◆		
			(945 261 3403)											
41		945 261 1603	(945 261 0803)	1	HOUSING						◆	◆		
			(945 261 0903)											
41		945 261 2703	(945 261 3603)	1	HOUSING						◆	◆		
			(945 261 2203)											
			(945 261 2103)											
			(945 261 2003)											
41		656 260 4711		1	HOUSING						◆			
41		655 260 6323	(655 260 4723)	1	HOUSING						◆			
			(389 261 9703)											
			(389 261 9003)											
			(389 261 9603)											
			(389 261 8903)											
41		945 261 5003		1	HOUSING		(10)(11)	◆	◆	◆				
41		656 260 5611	(656 260 4811)	1	HOUSING		(12)	◆	◆	◆				
41		389 261 1126		1	HOUSING			◆	◆	◆				
41		655 260 7123	(655 260 6323)	1	HOUSING		(2)(11)	◆	◆	◆				
			(655 260 4723)											
			(389 261 9703)											
			(389 261 9003)											
			(389 261 9603)											
			(389 261 8903)											

NOTES :

- [X1] : for gearboxes numbered label nos 715260 EPS, 715261 MPS
[X2] : for gearboxes numbered label no 715400 WSK 400+RETARDER
[X3] : for gearboxes numbered label nos 715410-11 WSK 400+RETARDER
[X4] : for gearbox numbered label no 715520
[X5] : for gearbox numbered label no 715521
[X6] : for gearbox numbered label no 715524
[X7] : for gearbox numbered label no 715527
(2) from gearbox number of 380571 (8) from gearbox number of 044407
(3) to gearbox number of 366886 (9) from gearbox number of 050091
(4) from gearbox number of 366887 (10) from gearbox number of 330360
(5) to gearbox number of 236189 (11) to gearbox number of 405419
(6) from gearbox number of 236199 (12) from gearbox number of 405420
(7) to gearbox number of 044406

GEARBOX G240-16

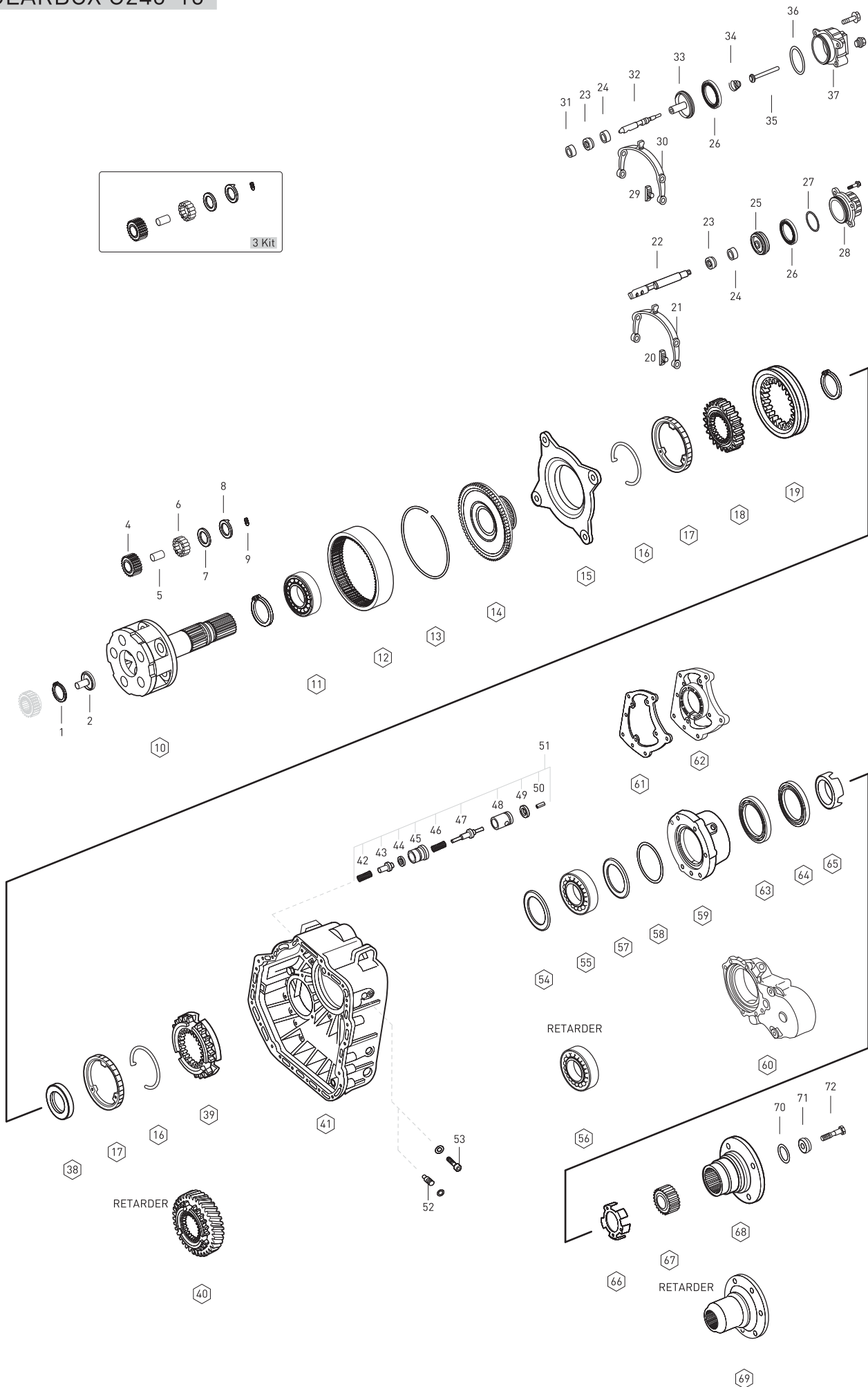


Fig	No.	Oem No	Oem Old No	Pcs.	Description	Sizes	Notes	[X1]: G240-16/117-0,69	[X2]: G240-16/117-0,69	[X3]: G240-16/117-0,69	[X4]: G240-16	[X5]: G240-16	[X6]: G240-16	[X7]: G240-16
41		389 261 6403	(389 261 6203)	1	HOUSING		(13)	◆						
42		389 993 5301		1	SPRING			◆	◆	◆	◆	◆	◆	◆
43		389 269 1026	(389 269 0926)	1	SELECTOR VALVE			◆	◆	◆	◆	◆	◆	◆
44		013 997 0148		1	O-RING	13.3X2.4mm		◆	◆	◆	◆	◆	◆	◆
45		389 269 1444	(389 269 0744) (389 269 0144)	1	VALVE INSERT			◆	◆	◆	◆	◆	◆	◆
46		389 993 4401		1	SPRING	11.5X41.9X1.0mm		◆	◆	◆	◆	◆	◆	◆
47		389 269 0826		1	SELECTOR VALVE			◆	◆	◆	◆	◆	◆	◆
48		389 269 0844		1	BALL			◆	◆	◆	◆	◆	◆	◆
49		013 997 0048		1	O-RING	19.2X3.0mm		◆	◆	◆	◆	◆	◆	◆
50		001481 004 001		1	CLAMPING SLEEVE			◆	◆	◆	◆	◆	◆	◆
51		655 260 0157		1	VALVE KIT	[PTO]		◆	◆	◆	◆	◆	◆	◆
52		389 265 0974		2	PIN		(14)	◆	◆	◆	◆	◆	◆	◆
52		945 265 1474	(945 265 1774) (389 265 2874)	2	PIN		(15)	◆	◆	◆	◆	◆	◆	◆
53		007984 008 013		2	SCREW		(14)	◆	◆	◆	◆	◆	◆	◆
54		389 262 7854		1	THRUST WASHER	3.50mm	(13)	◆	◆	◆	◆	◆	◆	◆
55		008 981 5225	(008 981 3025)	1	ROLLER BEARING		(17)	◆	◆	◆	◆	◆	◆	◆
55		008 981 1425		1	ROLLER BEARING						◆	◆	◆	◆
55		004 981 8925		1	ROLLER BEARING		(16)	◆	◆	◆				
55		004 981 9325		1	ROLLER BEARING		(16)	◆	◆	◆				
56		007 981 8701		1	ROLLER BEARING	RETARDER					◆	◆		
56		007 981 8201		1	ROLLER BEARING	RETARDER					◆	◆		
57		389 262 7754		1	SHIM	1.40mm	(17)	◆	◆	◆	◆	◆	◆	◆
57		389 262 5152		1	SHIM	0.80mm	(17)	◆	◆	◆	◆	◆	◆	◆
57		389 262 5052		1	SHIM	0.40mm	(17)	◆	◆	◆	◆	◆	◆	◆
57		389 262 7654		1	SHIM	0.25mm	(17)	◆	◆	◆	◆	◆	◆	◆
57		389 262 4952		1	SHIM	0.20mm	(17)	◆	◆	◆	◆	◆	◆	◆
57		389 262 4852		1	SHIM	0.15mm	(17)	◆	◆	◆	◆	◆	◆	◆
57		389 262 4752		1	SHIM	0.10mm	(17)	◆	◆	◆	◆	◆	◆	◆
58		020 997 8548	(015 997 2848)	1	O-RING	149.5X3.0mm		◆	◆	◆	◆	◆	◆	◆
59		389 261 1920	(389 261 0520) (389 261 0420)	1	COVER			◆	◆		◆	◆	◆	◆
59		930 261 0420		1	COVER						◆	◆		◆
59		930 261 0520	(389 261 2220) (389 261 2020) (389 261 1820)	1	COVER			◆	◆		◆	◆	◆	◆
60		389 261 1120		1	COVER					◆	◆	◆		
61		945 261 0280		1	GASKET	[PTO]					◆	◆	◆	◆
61		945 261 0080	(389 261 1980) (389 261 1480)	1	GASKET	[PTO]		◆	◆	◆				

NOTES :

- [X1] : for gearboxes numbered label nos 715260 EPS, 715261 MPS
- [X2] : for gearbox numbered label no 715400 WSK 400+RETARDER
- [X3] : for gearboxes numbered label nos 715410-11 WSK 400+RETARDER
- [X4] : for gearbox numbered label no 715520
- [X5] : for gearbox numbered label no 715521
- [X6] : for gearbox numbered label no 715524
- [X7] : for gearbox numbered label no 715527
- (13) to gearbox number of 339359
- (14) to gearbox number of 490748
- (15) from gearbox number of 490749
- (16) to gearbox number of 505541
- (17) from gearbox number of 505542

G240-16

GEARBOX G240-16

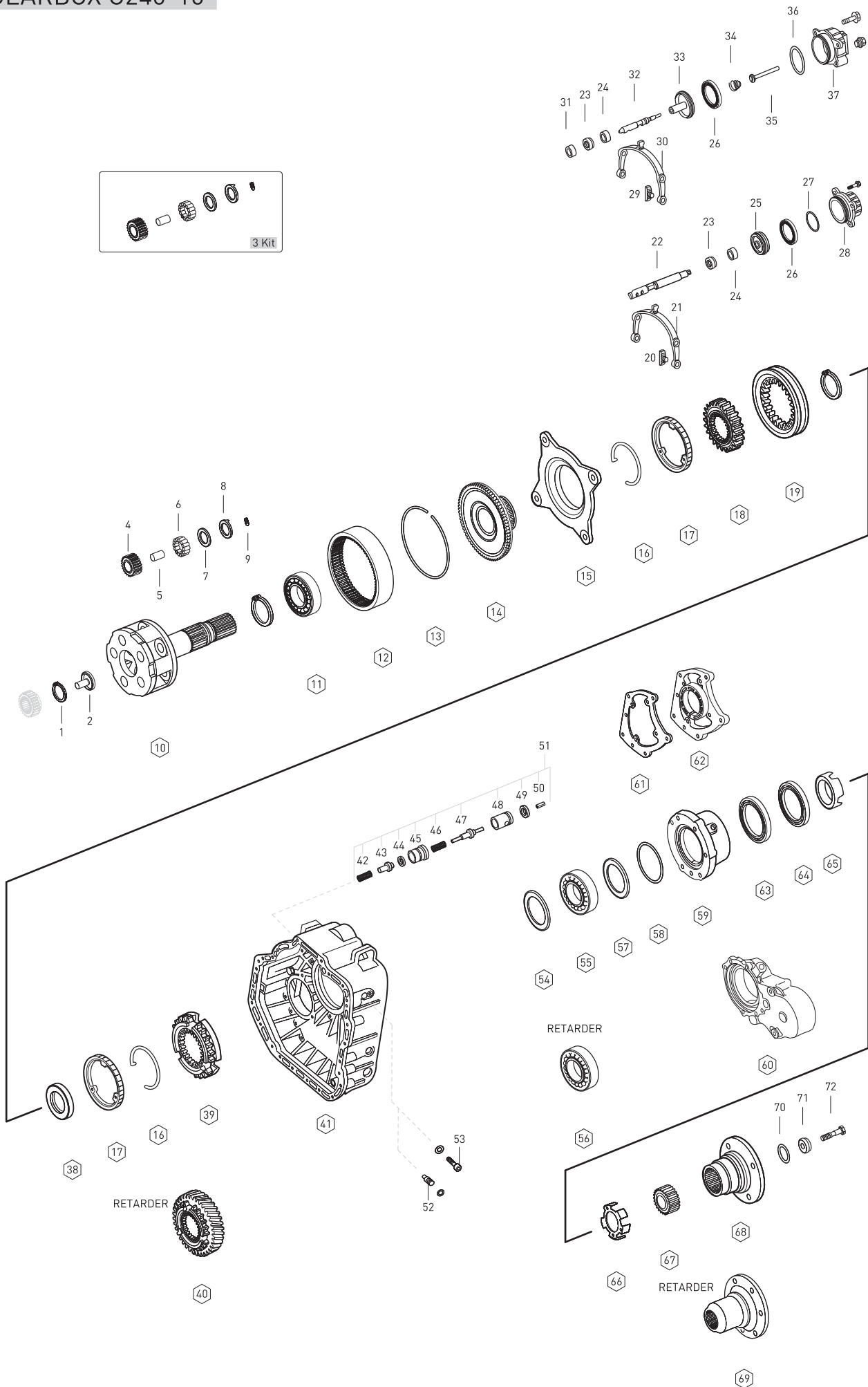


Fig	Oem No	Oem Old No	Pcs.	Description	Sizes	Notes	[X1]: G240-16/11.7-0.69	[X2]: G240-16/11.7-0.69	[X3]: G240-16/11.7-0.69	[X4]: G240-16	[X5]: G240-16	[X6]: G240-16	[X7]: G240-16
61	945 261 0080	(389 261 0780)	1	GASKET	(PTO)		◆	◆	◆				
62	945 261 1033		1	COVER	(PTO)					◆	◆	◆	◆
62	389 261 2433	(389 261 1033)	1	COVER	(PTO)		◆	◆	◆				
		(389 261 2333)											
		(389 261 0933)											
63	013 997 5547		1	OIL SEAL			◆	◆	◆	◆	◆	◆	◆
63	013 997 7247		1	OIL SEAL			◆	◆	◆	◆	◆	◆	◆
63	014 997 1947		1	OIL SEAL			◆	◆	◆	◆	◆	◆	◆
63	015 997 6647		1	OIL SEAL			◆	◆	◆	◆	◆	◆	◆
63	015 997 6447		1	OIL SEAL			◆	◆	◆	◆	◆	◆	◆
64	015 997 4247		1	OIL SEAL			◆	◆	◆	◆	◆	◆	◆
64	013 997 7347		1	OIL SEAL			◆	◆	◆	◆	◆	◆	◆
64	013 997 5647		1	OIL SEAL			◆	◆	◆	◆	◆	◆	◆
64	017 997 1247		1	OIL SEAL			◆	◆	◆	◆	◆	◆	◆
64	015 997 4247		1	OIL SEAL			◆	◆	◆	◆	◆	◆	◆
64	017 997 7347		1	OIL SEAL			◆	◆	◆	◆	◆	◆	◆
65	930 262 0028		1	PULSE STAR		(17)	◆	◆		◆	◆	◆	◆
65	945 262 0228		1	PULSE STAR		(16)	◆	◆		◆	◆	◆	◆
65	945 262 0528	(389 260 0150)	1	PULSE STAR		(16)	◆	◆		◆	◆		
65	945 262 0628	(389 260 0350)	1	PULSE STAR		(17)	◆	◆		◆	◆		
66	387 262 0828	(387 262 0428)	1	PULSE STAR	(PTO)				◆	◆	◆		
67	389 264 0021		1	GEAR	(PTO)				◆	◆	◆		
68	389 262 0545	(945 262 0145)	1	COMPANION FLANGE	4-H, Ø180mm					◆	◆		
68	945 262 0045		1	COMPANION FLANGE	4-H, Ø180mm	(17)	◆			◆	◆		◆
68	389 262 0445		1	COMPANION FLANGE	4-H, Ø180mm	(16)	◆			◆	◆		◆
68	930 262 0145		1	COMPANION FLANGE	4-H, Ø200mm					◆			◆
68	930 262 0045		1	COMPANION FLANGE	4-H, Ø180mm					◆	◆		◆
68	945 262 0245		1	COMPANION FLANGE	4-H, Ø200mm	(17)		◆	◆	◆	◆	◆	◆
68	389 262 0945	(945 262 0345)	1	COMPANION FLANGE	4-H, Ø200mm					◆	◆		
68	389 262 0645		1	COMPANION FLANGE	4-H, Ø200mm	(16)		◆	◆	◆	◆		
69	930 262 0245		1	COMPANION FLANGE	RETARDER					◆	◆		
69	945 262 0545		1	COMPANION FLANGE	RETARDER					◆	◆		
69	387 264 2045	(387 264 1945)	1	COMPANION FLANGE	RETARDER					◆	◆		
69	945 262 0445		1	COMPANION FLANGE	RETARDER					◆	◆		
70	014 997 5148		1	O-RING			◆	◆	◆	◆	◆	◆	◆
71	945 262 0062	(389 262 0362)	1	THRUST WASHER			◆	◆	◆	◆	◆	◆	◆
72	945 990 0019	(389 990 2019)	1	SCREW	Ø24X80mm		◆	◆	◆	◆	◆	◆	◆
		(389 990 0219)											

NOTES :

- [X1] : for gearboxes numbered label nos 715260 EPS, 715261 MPS
- [X2] : for gearbox numbered label no 715400 WSK 400+RETARDER
- [X3] : for gearboxes numbered label nos 715410-11 WSK 400+RETARDER
- [X4] : for gearbox numbered label no 715520
- [X5] : for gearbox numbered label no 715521
- [X6] : for gearbox numbered label no 715524
- [X7] : for gearbox numbered label no 715527
- (16) to gearbox number of 505541
- (17) from gearbox number of 505542

SYNCHRONIZER KIT CONST.
NEWMODEL

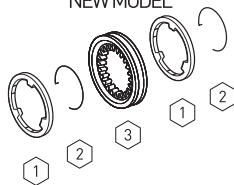


Fig.	o. Oem No	Oem Old No	Pcs.	Description
	2106224		Kit	SYNCHRONIZER KIT Const
1	945 260 2245	(947 260 0545)	2	SYNCHRONIZING CONE
2	387 262 1093		2	SPRING
3	945 262 6823	(945 262 6423)	1	ENGAGING SLEEVE

SYNCHRONIZER KIT CONST.

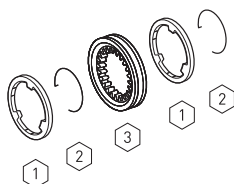


Fig.	o. Oem No	Oem Old No	Pcs.	Description
	2106225		Kit	SYNCHRONIZER KIT Const
1	389 262 0637		2	SYNCHRONIZING CONE
2	387 262 1093		2	SPRING
3	945 262 2823	(945 262 0323)	1	ENGAGING SLEEVE
		(945 262 0623)		
		(389 262 4123)		
		(389 262 2723)		

SYNCHRONIZER KIT 3rd/4th
NEWMODEL

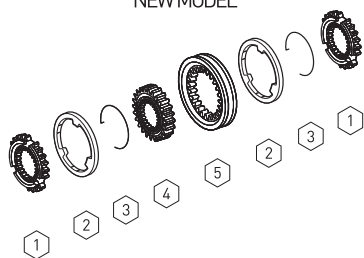


Fig.	o. Oem No	Oem Old No	Pcs.	Description
	2106211		Kit	SYNCH.KIT 3rd/4th
1	945 262 5434		2	ENGAGING RING
2	947 260 1945	(946 262 6137)	2	SYNCHRONIZING CONE
		(947 260 0745)		
3	387 262 0893		2	SPRING
4	389 262 4735	(389 262 4635)	1	GUIDE SLEEVE
5	945 262 6523		1	ENGAGING SLEEVE

SYNCHRONIZER KIT 3rd/4th

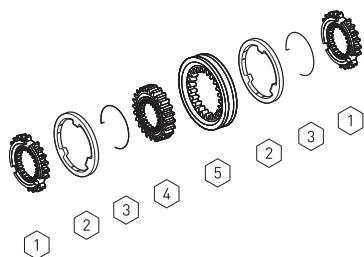


Fig.	o. Oem No	Oem Old No	Pcs.	Description
	2106212		Kit	SYNCH.KIT 3rd/4th
1	945 262 0534	(389 262 5034)	2	ENGAGING RING
2	389 262 0737		2	SYNCHRONIZING CONE
3	387 262 0893		2	SPRING
4	389 262 4735	(389 262 4635)	1	GUIDE SLEEVE
5	945 262 2723	(945 262 0423)	1	ENGAGING SLEEVE
		(389 262 2623)		

SYNCHRONIZER KIT 1st/2nd
NEWMODEL

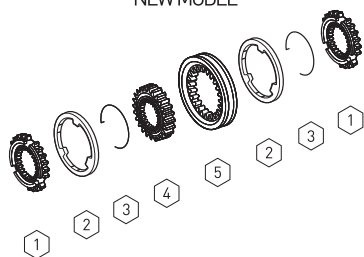


Fig.	o. Oem No	Oem Old No	Pcs.	Description
	2106214		Kit	SYNCH.KIT 1st/2nd
1	945 262 5534		2	ENGAGING RING
2	947 260 1945	(946 262 6137)	2	SYNCHRONIZING CONE
		(947 260 0745)		
3	387 262 0893		2	SPRING
4	389 262 2535	(945 262 0135)	1	GUIDE SLEEVE
5	945 262 6523		1	ENGAGING SLEEVE

Fig.	o. Oem No	Oem Old No	Pcs.	Description
	2106215		Kit	SYNCH.KIT 1st/2nd
1	945 262 0434	(389 262 0034)	2	ENGAGING RING
2	389 262 0737		2	SYNCHRONIZING CONE
3	387 262 0893		2	SPRING
4	389 262 2535	(945 262 0135)	1	GUIDE SLEEVE
5	945 262 2723	(945 262 0423)	1	ENGAGING SLEEVE
		(389 262 2623)		

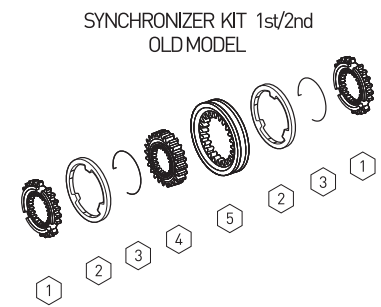


Fig.	o. Oem No	Oem Old No	Pcs.	Description
	2106216		Kit	SYNCH.KIT PLANETARY
1	947 260 3036	(947 260 0836)	1	FOLLOWER RING
2	389 262 0293		2	SPRING
3	947 260 3045	(947 260 0945)	2	SYNCHRONIZING CONE
4	389 262 4935	(389 262 2035)	1	GUIDE SLEEVE
5	930 262 0623	(945 262 6923)	1	ENGAGING SLEEVE
6	945 262 3834		1	ENGAGING RING

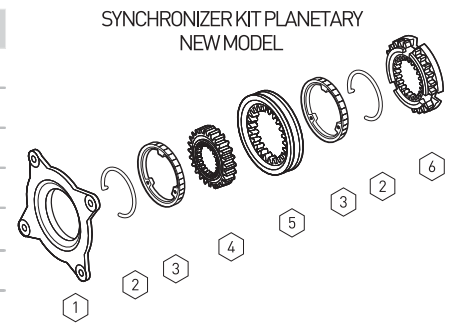


Fig.	o. Oem No	Oem Old No	Pcs.	Description
	2106204		K	SYNCH.KIT PLANETARY
1	389 262 0293		2	SPRING
2	947 260 3045	(947 260 0945)	2	SYNCHRONIZING CONE
3	389 262 4935	(389 262 2035)	1	GUIDE SLEEVE
4	930 262 0623	(945 262 6923)	1	ENGAGING SLEEVE



Fig.	o. Oem No	Oem Old No	Pcs.	Description
	2106217		Kit	SYNCH.KIT PLANETARY
1	389 260 2036		1	FOLLOWER RING
2	389 262 0293		2	SPRING
3	389 262 0537		2	SYNCHRONIZING CONE
4	389 262 4935	(389 262 2035)	1	GUIDE SLEEVE
5	945 262 6623	(945 262 2623)	1	ENGAGING SLEEVE
		(945 262 0823)		
		(389 262 3823)		
		(389 262 3623)		
		(389 262 1623)		
6	945 262 1234	(389 262 9234)	1	ENGAGING RING

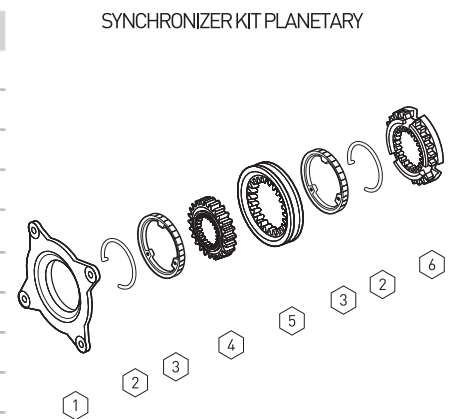
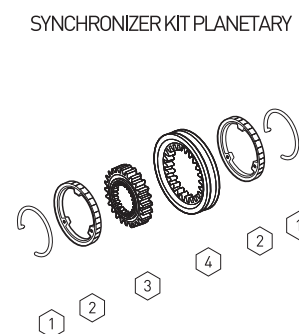


Fig.	o. Oem No	Oem Old No	Pcs.	Description
	2106194		Ki	SYNCH.KIT PLANETARY
1	389 262 0293		2	SPRING
2	389 262 0537		2	SYNCHRONIZING CONE
3	389 262 4935	(389 262 2035)	1	GUIDE SLEEVE
4	945 262 6623	(945 262 2623)	1	ENGAGING SLEEVE
		(945 262 0823)		
		(389 262 3823)		
		(389 262 3623)		
		(389 262 1623)		



RETARDER

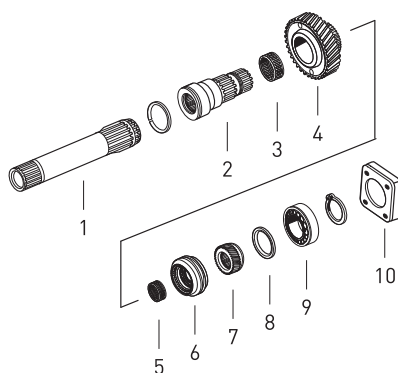


Fig.	o. Oem No	Oem Old No	Pcs	Description
1	387 264 0505		1	INTERM.SHAFT
1	389 264 0105		1	INTERM.SHAFT
1	945 264 0605		1	INTERM.SHAFT
1	945 264 0705		1	INTERM.SHAFT
1	945 264 1405		1	INTERM.SHAFT
2	945 264 0606		1	DRIVE SHAFT
3	010 981 1310		1	NEEDLE CAGE
4	945 264 0020		1	GEAR
5	015 981 9310		1	NEEDLE CAGE
6	389 264 0023		1	SLIDING COLLAR
7	945 264 0046		1	FOLLOWER
8	673 264 0252		1	SHIM (0.10mm)
8	673 264 0352		1	SHIM (0.15mm)
8	673 264 0452		1	SHIM (0.25mm)
8	673 264 0552		1	SHIM (0.30mm)
9	009 981 5301		1	ROLLER BEARING
10	389 264 0111		1	COVER

RETARDER

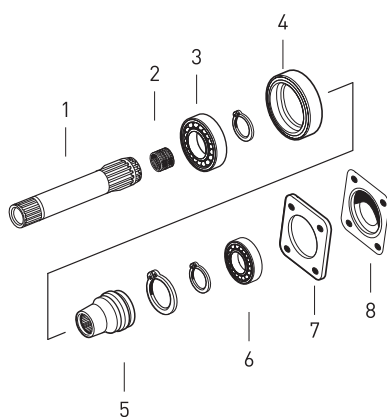


Fig.	o. Oem No	Oem Old No	Pcs.	Description
1	945 264 0305		1	INTERM.SHAFT
1	389 264 0505		1	INTERM.SHAFT
1	K21.03493 389 264 0205	(387 264 0405)	1	INTERM.SHAFT
2	013 981 0610		1	NEEDLE CAGE
3	008 981 3225		1	ROLLER BEARING
4	945 264 0687	(389 264 0587)	1	RING
5	389 264 0223		1	SLIDING COLLAR
6	006 981 2525		1	ROLLER BEARING
7	389 264 0780		1	GASKET
8	945 264 0611		1	COVER
8	389 264 0311		1	COVER

Fig.	o. Oem No	Oem Old No	Pcs.	Description
1	013 981 4705		1	ROLLER BEARING
2	945 264 0406		1	DRIVE SHAFT
2	945 264 0306		1	DRIVE SHAFT
3	019 997 8747		1	O-RING
4	019 997 8647		1	O-RING
5	015 981 0805		1	ROLLER BEARING
6	013 981 4605		1	ROLLER BEARING
7	945 264 0221		1	GEAR
8	945 264 0251		1	THRUST WASHER
9	013 981 0605		1	ROLLER BEARING
10	389 264 0652		1	SHIM (0.10mm)
10	389 264 0752		1	SHIM (0.15mm)
10	389 264 0852		1	SHIM (0.30mm)
10	389 264 0952		1	SHIM (0.50mm)
11	010 997 7445		1	O-RING
12	945 260 0027		1	SPINDLE

P.T.O. (POWER TAKE OFF)
N.M.V. GEARBOX

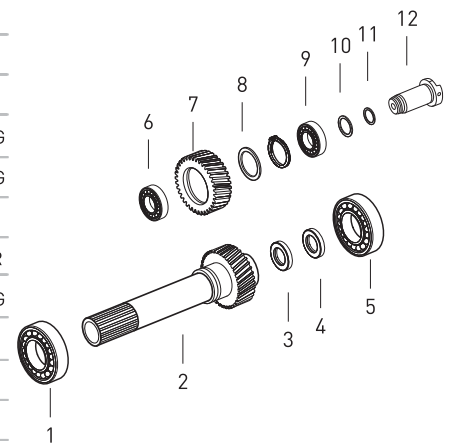
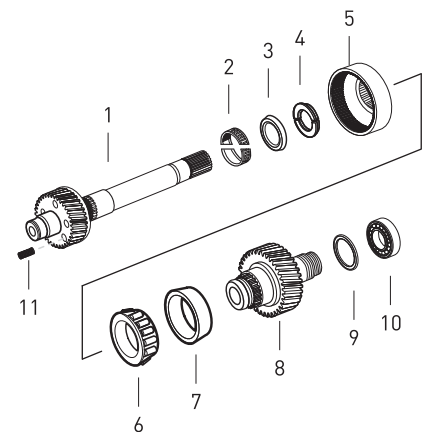


Fig.	o. Oem No	Oem Old No	Pcs	Description
1	945 264 0106	(945 264 0506)	1	DRIVE SHAFT P.T.O.
2	011 981 4110	(011 981 4010)	1	NEEDLE BEARING
3	389 264 0073		1	RETAINING RING
4	389 264 0129		1	SPL.RING (3.97mm)
4	389 264 0829		1	SPL.RING (4.12mm)
4	389 264 0929		1	SPL.RING (4.22mm)
4	389 264 0429		1	SPL.RING (4.27mm)
5	945 264 0007		1	DISC SUPPORT
6	017 981 3705	(002 981 4481)	1	INNER RING
7	001 981 9280		1	OUTER RACE
8	945 264 0321		1	GEAR
8	945 264 0421		1	GEAR
9	389 264 1252		1	SHIM (0.05mm)
9	389 264 1352		1	SHIM (0.10mm)
9	389 264 1652		1	SHIM (0.30mm)
9	389 264 1752		1	SHIM (0.50mm)
10	009 981 6705	(009 981 7205)	1	ROLLER BEARING
11	385 993 3701		5	SPRING

P.T.O. (POWER TAKE OFF)
N.M.V. GEARBOX



GEARBOX G260-16

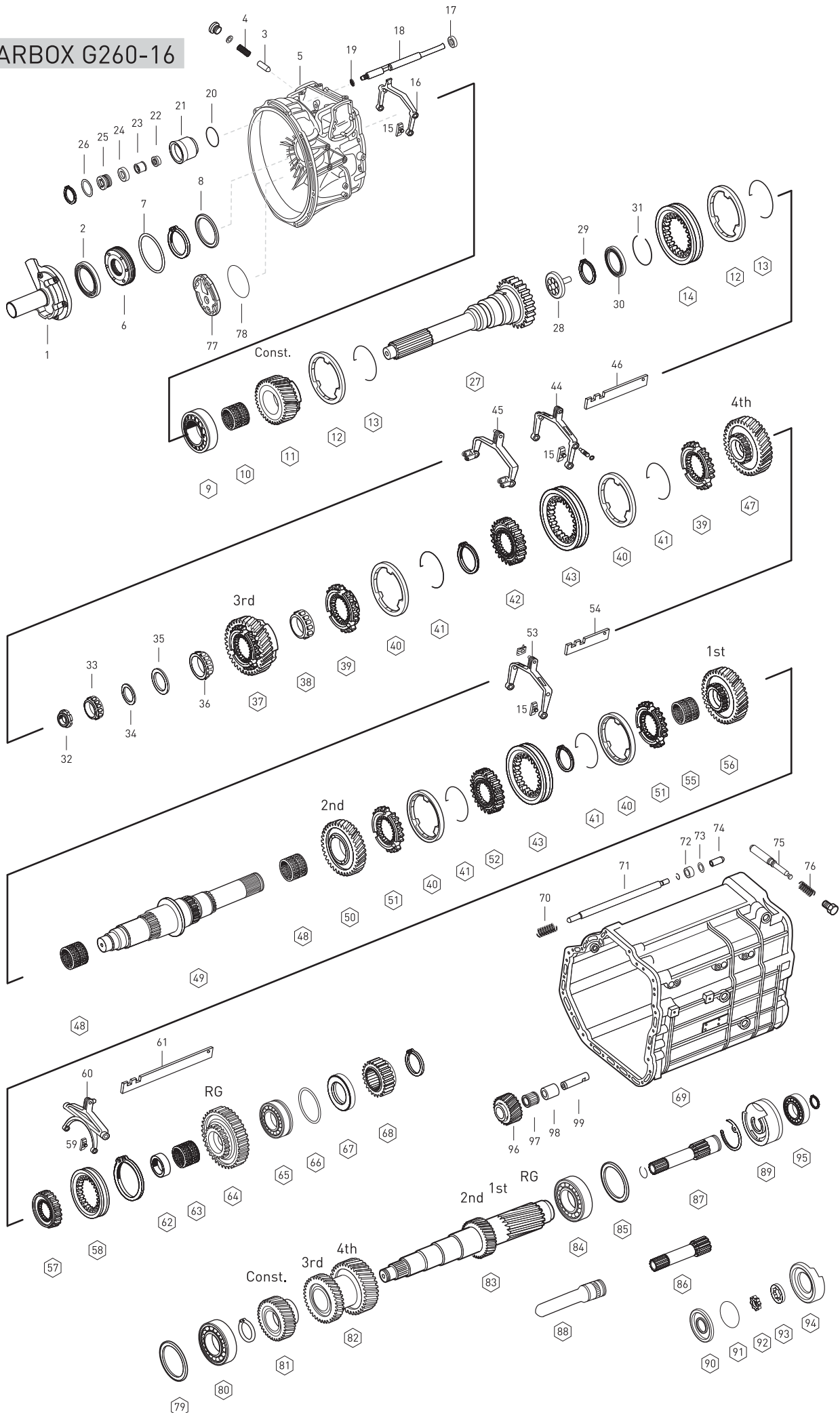


Fig.	Oem No	Oem Old No	Pcs.	Description	Sizes	Notes	[X1]-G260-16	[X2]-G260-16	[X3]-G260-16
1	945 261 1118	(945 261 0118) (945 261 0818)	1	COVER			◆		◆
1	945 261 2818		1	COVER		(2)		◆	
1	945 261 1218	(389 261 4818)	1	COVER		(1)		◆	
2	022 997 8547		1	OIL SEAL				◆	
2	023 997 7847	(019 997 0547)	1	OIL SEAL	56X72X8mm		◆		◆
3	389 267 1174	(387 267 0034)	1	PIN			◆	◆	◆
4	387 993 4401		1	SPRING	9.8X63.3mm		◆	◆	◆
4	387 993 4501		1	SPRING	6.2X63.0mm		◆	◆	◆
5	945 260 8412		1	HOUSING			◆	◆	◆
5	945 260 5411		1	HOUSING			◆	◆	◆
5	945 260 0111		1	HOUSING			◆	◆	◆
5	945 260 2712	(945 260 7211) (945 260 2212) (945 260 7311)	1	HOUSING			◆	◆	◆
5	945 260 4112		1	HOUSING			◆	◆	◆
5	945 260 4811	(945 260 5211) (945 260 2111)	1	HOUSING			◆	◆	◆
5	945 260 0911	(945 260 1911)	1	HOUSING			◆	◆	◆
6	389 261 0665		1	OIL BAFFLE			◆	◆	◆
7	020 997 7848		1	O-RING	128.0X3.0mm		◆	◆	◆
8	389 262 3055		1	SHIM	0.25mm	(3)	◆	◆	◆
8	389 262 3255		1	SHIM	0.31mm	(3)	◆	◆	◆
8	389 262 3555		1	SHIM	0.40mm	(3)	◆	◆	◆
8	389 262 3855		1	SHIM	0.49mm	(3)	◆	◆	◆
8	389 262 4055		1	SHIM	0.55mm	(3)	◆	◆	◆
9	014 981 9005	(011 981 1305)	1	ROLLER BEARING	75X140X36mm		◆	◆	◆
10	018 981 8710		1	NEEDLE CAGE			◆	◆	◆
11	945 262 7517	(945 262 5417) (945 262 5917)	1	CONSTANT GEAR		(5)	◆		
11	945 262 4810	(945 262 4710) (945 262 2510) (945 262 0210) (389 262 3910)	1	CONSTANT GEAR		(4)		◆	◆
12	945 260 2245	(947 260 0545) (945 262 6337)	2	SYNCHRONIZING CONE	177.0mm	(5)	◆		
12	945 260 0450		2	SYNCHRONIZING CONE	177.0mm	(4)		◆	◆
12	389 262 0637		2	SYNCHRONIZING CONE	177.0mm	(4)		◆	◆
13	387 262 1093		2	SPRING			◆	◆	◆
14	945 262 6823	(945 262 6423)	1	ENGAGING SLEEVE		(5)	◆		
14	945 262 2823	(945 262 0323)	1	ENGAGING SLEEVE		(4)		◆	◆

NOTES :

- [X1] : for gearbox numbered label no 715540 [G260-16/9.75-0.57]
[X2] : for gearbox numbered label no 715540 MPS+WSK 400+RETARDER
[X3] : for gearbox numbered label no 715540 EPS+NMW
(1) to gearbox number of 106398
(2) from gearbox number of 106399
(3) from gearbox number of 375915
(4) to gearbox number of 502734
(5) from gearbox number of 502735

G260-16

GEARBOX G260-16

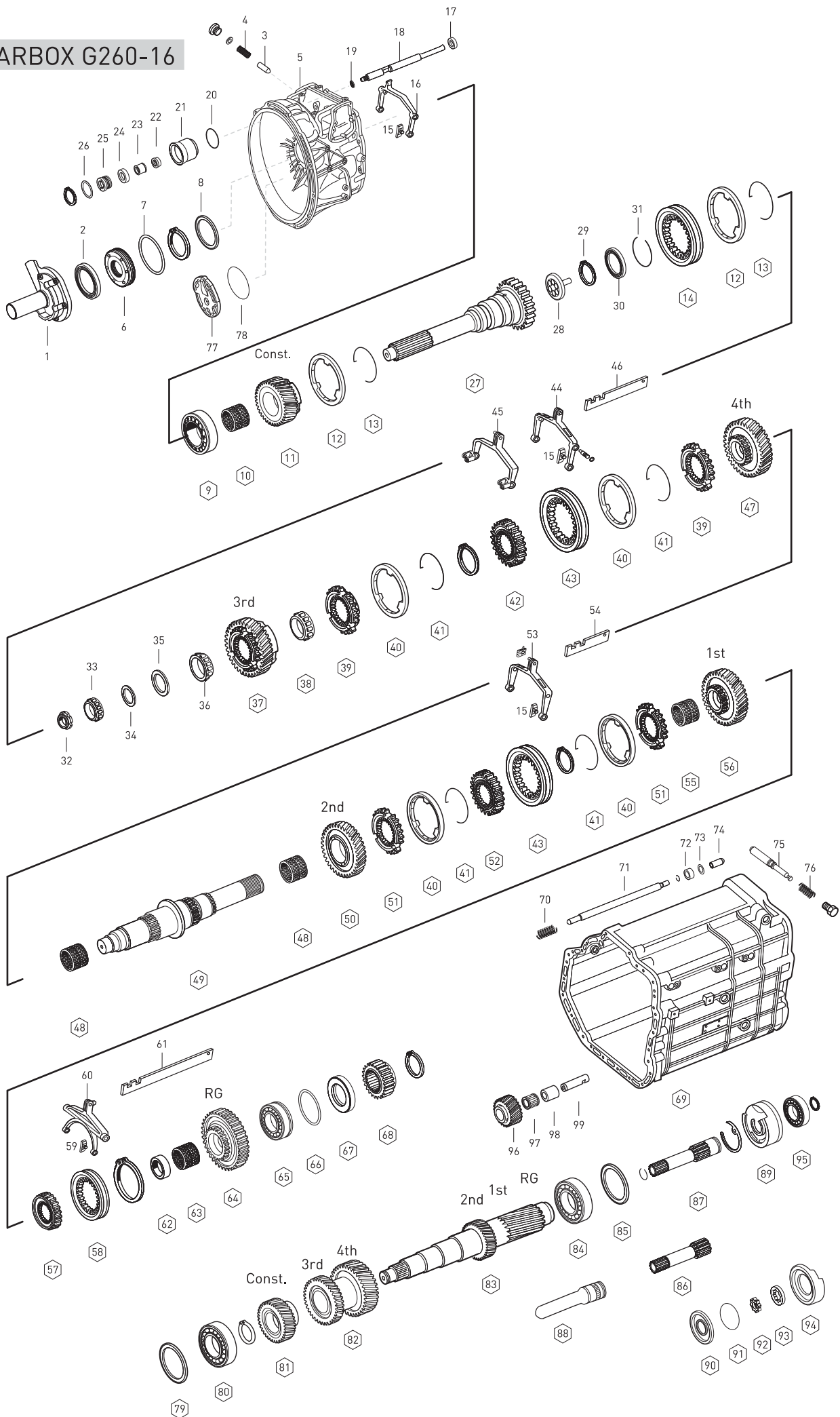


Fig.	Oem No	Oem Old No	Pcs.	Description	Sizes	Notes	[X1]-G260-16	[X2]-G260-16	[X3]-G260-16
14	945 262 2823	(945 262 0623)	1	ENGAGING SLEEVE		(4)		◆	◆
		(389 262 4123)							
		(389 262 2723)							
15	947 265 0349	(389 265 2749)	6	SLIDING PAD			◆	◆	◆
16	945 265 0001		1	GEAR SHIT FORK			◆	◆	◆
17	389 267 0050	(389 268 0950)	1	BUSHING			◆	◆	◆
18	945 267 0117		1	G.SHIFT RAIL			◆	◆	◆
18	945 267 0617		1	G.SHIFT RAIL			◆	◆	◆
18	945 267 0017		1	G.SHIFT RAIL			◆	◆	◆
19	387 263 2652		1	SPACER WASHER	0.20mm		◆	◆	◆
19	387 263 2752		1	SPACER WASHER	0.40mm		◆	◆	◆
19	387 263 2852		1	SPACER WASHER	0.60mm		◆	◆	◆
19	387 263 3052		1	SPACER WASHER	1.00mm		◆	◆	◆
20	022 997 4248		1	O-RING			◆	◆	◆
21	945 267 0619		1	CYLINDER					◆
22	000 267 0197	(000 267 0397)	1	FLANGE PACKING			◆	◆	◆
23	387 267 0650		1	BUSHING			◆	◆	◆
24	012 997 3347	(006 997 6447)	1	DOUBLE PACKING			◆	◆	◆
25	945 267 0218	(387 267 0918)	1	PISTON			◆	◆	◆
		(387 267 0618)							
26	389 262 2555		1	SPACER WASHER	0.70mm		◆	◆	◆
26	389 262 2655		1	SPACER WASHER	0.90mm		◆	◆	◆
26	389 262 3254		1	SPACER WASHER	1.05mm		◆	◆	◆
26	389 262 3354		1	SPACER WASHER	1.10mm		◆	◆	◆
26	389 262 3554		1	SPACER WASHER	1.20mm		◆	◆	◆
26	389 262 2052		1	SPACER WASHER	1.40mm		◆	◆	◆
26	389 262 2355		1	SPACER WASHER	1.80mm		◆	◆	◆
26	389 262 3252		1	SPACER WASHER	2.00mm		◆	◆	◆
26	389 262 3352		1	SPACER WASHER	2.50mm		◆	◆	◆
27	945 262 1103	(945 262 6203)	1	INPUT SHAFT		(7)			◆
27	945 262 4603	(945 262 1301)	1	INPUT SHAFT		(6)			◆
		(945 262 3701)							
27	389 262 8301	(389 262 6301)	1	INPUT SHAFT			◆		
27	945 262 4403	(945 262 1001)	1	INPUT SHAFT				◆	
27	945 262 0703		1	INPUT SHAFT				◆	
28	976 269 0034		1	OIL PIPET		(9)		◆	◆
28	389 269 8534		1	OIL PIPET		(8)	◆		
29	000 994 9841		1	RETANING RING		(9)		◆	◆
29	007993 050 200		1	RETANING RING		(8)	◆		
30	000 262 8762	(019 997 2147)	1	OIL SEAL	79.5X104.5X7mm		◆	◆	◆
		(019 997 2047)							

NOTES :

- [X1] : for gearbox numbered label no 715540 [G260-16/9.75-0.57]
- [X2] : for gearbox numbered label no 715540 MPS+WSK 400+RETARDER
- [X3] : for gearbox numbered label no 715540 EPS+NMW
- (4) to gearbox number of 502734
- (6) to gearbox number of 279734
- (7) from gearbox number of 279735
- (8) to gearbox number of 223208
- (9) from gearbox number of 223209

G260-16

GEARBOX G260-16

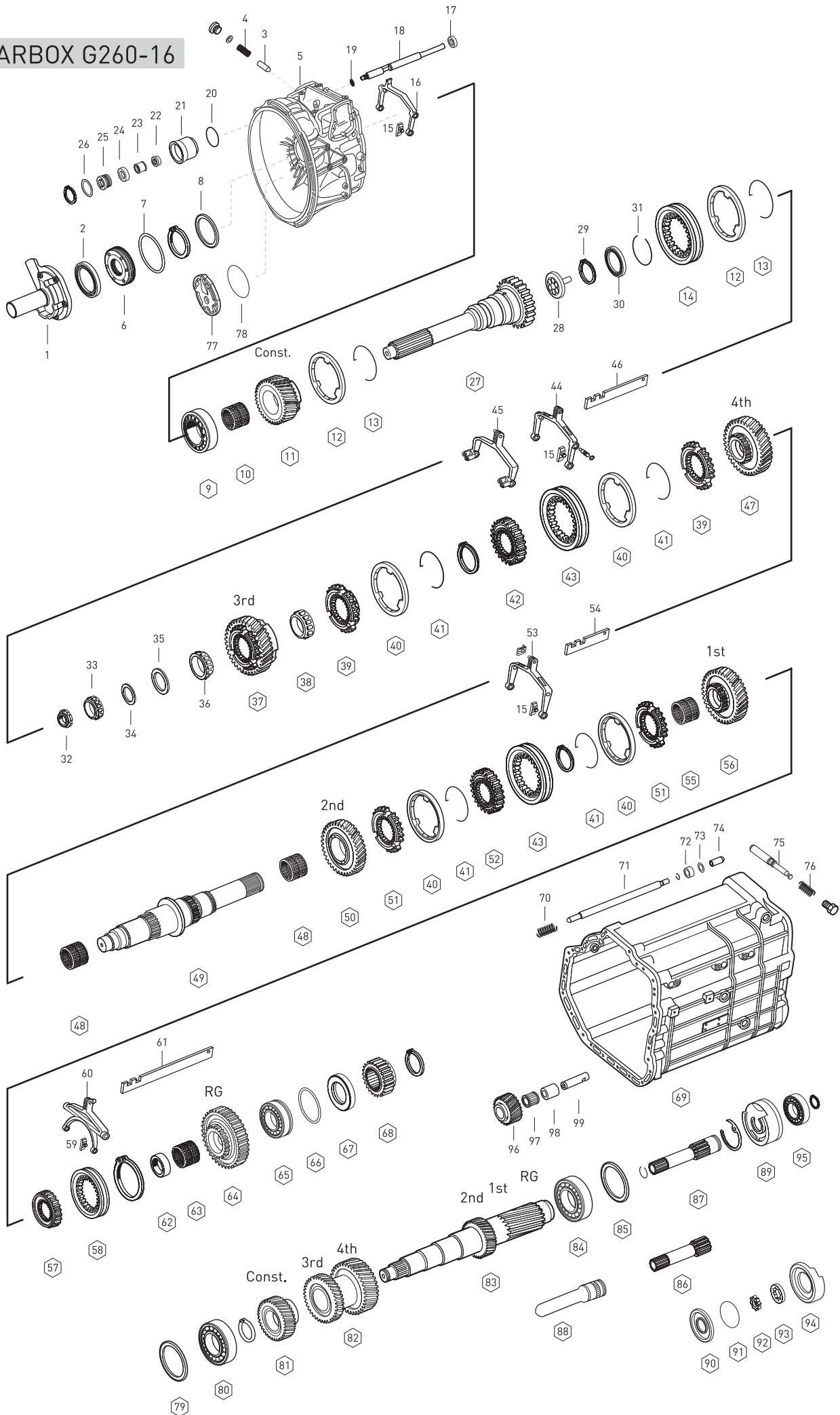


Fig.	o.	Oem No	Oem Old No	Pcs	Description	Sizes	Notes	[X1]-G260-16	[X2]-G260-16	[X3]-G260-16
30		000 262 9162		1	OIL SEAL			◆	◆	◆
31		389 262 0973		1	LOCK RING			◆	◆	◆
32		945 990 0250		1	NUT		{11}{12}{13}	◆	◆	◆
32		945 990 0150	(945 990 0050)	1	NUT		{10}		◆	◆
33		015 981 1605	(013 981 1105)	1	ROLLER BEARING			◆	◆	◆
34		389 262 2351		1	THRUST WASHER	7.00mm		◆	◆	◆
35		389 262 3352		1	THRUST WASHER	2.50mm		◆	◆	◆
35		389 262 3252		1	THRUST WASHER	2.00mm		◆	◆	◆
35		389 262 3152		1	THRUST WASHER	1.95mm		◆	◆	◆
35		389 262 3052		1	THRUST WASHER	1.90mm		◆	◆	◆
35		389 262 2952		1	THRUST WASHER	1.85mm		◆	◆	◆
35		389 262 2455		1	THRUST WASHER	1.82mm		◆	◆	◆
35		389 262 2355		1	THRUST WASHER	1.79mm		◆	◆	◆
35		389 262 2255		1	THRUST WASHER	1.76mm		◆	◆	◆
35		389 262 2155		1	THRUST WASHER	1.73mm		◆	◆	◆
35		389 262 2055		1	THRUST WASHER	1.67mm		◆	◆	◆
35		389 262 1955		1	THRUST WASHER	1.64mm		◆	◆	◆
35		389 262 1855		1	THRUST WASHER	1.61mm		◆	◆	◆
35		389 262 1755		1	THRUST WASHER	1.58mm		◆	◆	◆
35		389 262 2352		1	THRUST WASHER	1.55mm		◆	◆	◆
35		389 262 1655		1	THRUST WASHER	1.52mm		◆	◆	◆
35		389 262 1555		1	THRUST WASHER	1.49mm		◆	◆	◆
35		389 262 1455		1	THRUST WASHER	1.46mm		◆	◆	◆
35		389 262 1355		1	THRUST WASHER	1.43mm		◆	◆	◆
35		389 262 2052		1	THRUST WASHER	1.40mm		◆	◆	◆
35		389 262 1952		1	THRUST WASHER	1.35mm		◆	◆	◆
35		389 262 2754		1	THRUST WASHER	1.30mm		◆	◆	◆
35		389 262 3654		1	THRUST WASHER	1.25mm		◆	◆	◆
35		389 262 3554		1	THRUST WASHER	1.20mm		◆	◆	◆
35		389 262 3454		1	THRUST WASHER	1.15mm		◆	◆	◆
35		389 262 3354		1	THRUST WASHER	1.10mm		◆	◆	◆
35		389 262 3254		1	THRUST WASHER	1.05mm		◆	◆	◆
35		389 262 2854		1	THRUST WASHER	0.50mm		◆	◆	◆
36		015 981 6105	(014 981 2605)	1	ROLLER BEARING		{5}	◆		
36		012 981 9905	(012 981 0505)	1	ROLLER BEARING		{4}		◆	◆
37		945 262 5617		1	GEAR 3rd		{5}	◆		
37		389 262 7910	(945 262 2810)	1	GEAR 3rd		{4}		◆	◆
38		015 981 6205	(013 981 0005)	1	ROLLER BEARING			◆	◆	◆
39		945 262 5434		2	ENGAGING RING	173.5mm	{5}	◆		
39		945 262 0534	(389 262 5034)	2	ENGAGING RING	173.5mm	{4}		◆	◆
40		947 260 1945	(946 262 6137)	4	SYNCHRONIZING CONE	199.0mm	{5}	◆		

NOTES _____ :

- [X1] : for gearbox numbered label no 715540 [G260-16/9,75-0,57]
- [X2] : for gearbox numbered label no 715540 MPS+WSK 400+RETARDER
- [X3] : for gearbox numbered label no 715540 EPS+NMW
- {4} to gearbox number of 502734
- {5} from gearbox number of 502735
- {10} to gearbox number of 235269
- {11} from gearbox number of 235270
- {12} to gearbox number of 344483
- {13} from gearbox number of 344484

G260-16

GEARBOX G260-16

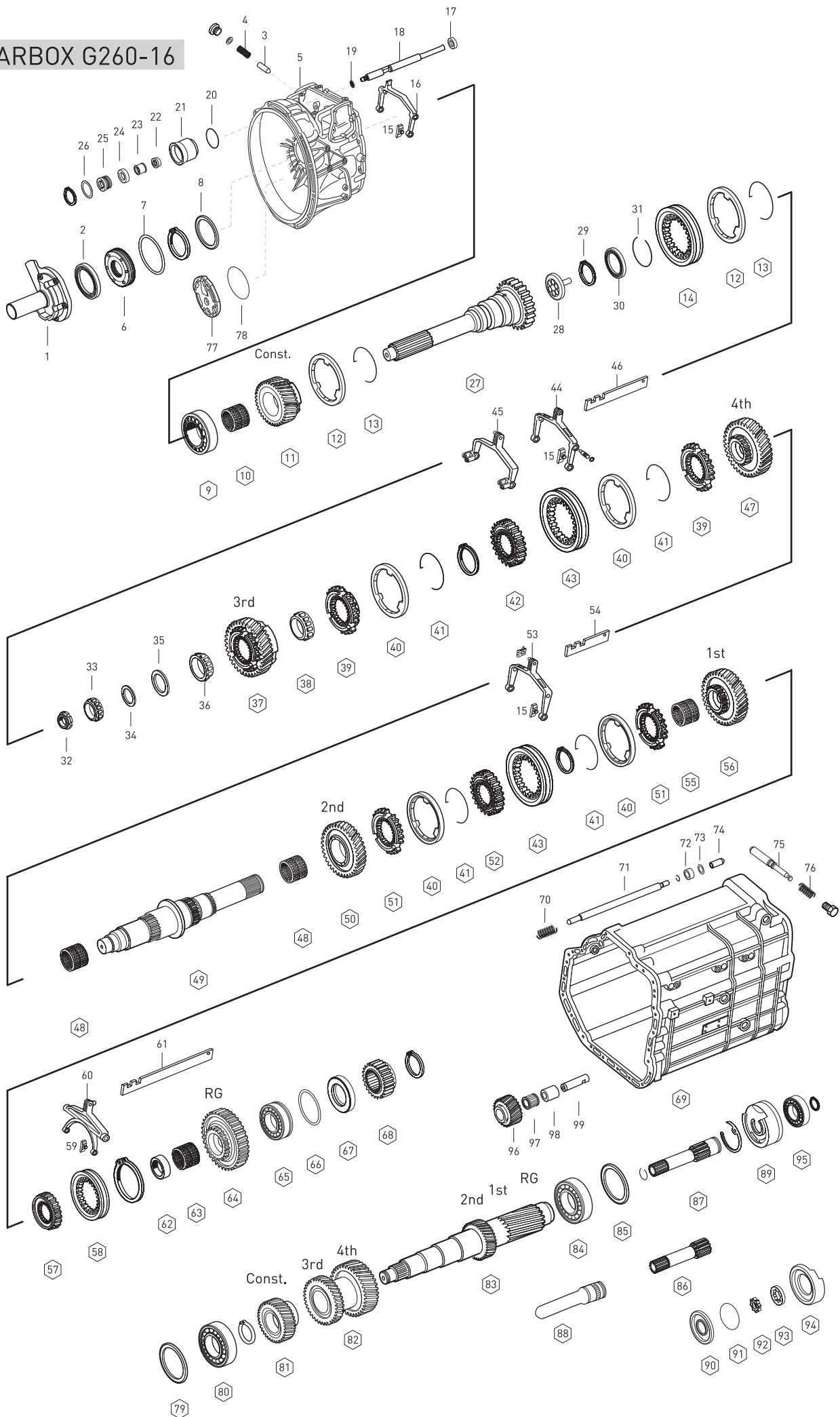


Fig.	o.	Oem No	Oem Old No	Pcs.	Description	Sizes	Notes	[X1]-G260-16	[X2]-G260-16	[X3]-G260-16
40		947 260 1945	(947 260 0745)	4	SYNCHRONIZING CONE	199.0mm	(5)	◆		
40		945 260 0650		4	SYNCHRONIZING CONE		(4)		◆	◆
40		389 262 0737		4	SYNCHRONIZING CONE	196.0mm	(4)		◆	◆
41		387 262 0893		4	SPRING	167.0mm		◆	◆	◆
42		389 262 4735	(389 262 4635)	1	GUIDE SLEEVE			◆	◆	◆
43		945 262 6523		2	ENGAGING SLEEVE		(5)	◆		
43		945 262 2723	(945 262 0423)	2	ENGAGING SLEEVE		(4)		◆	◆
			(389 262 2623)							
44		945 265 0402		1	GEAR SHIT FORK			◆	◆	◆
45		945 260 0830		1	GEAR SHIT FORK			◆	◆	◆
46		945 265 0504		1	SHIFTING ROD			◆	◆	◆
47		389 262 3713	(945 262 3913)	1	GEAR 4th			◆	◆	◆
			(945 262 1713)							
			(389 262 3013)							
48		018 981 6610		2	NEEDLE CAGE			◆	◆	◆
49		930 262 1205		1	MAIN SHAFT			◆		
49		945 262 4505		1	MAIN SHAFT		(13)	◆		
49		945 262 3605	(945 262 3505)	1	MAIN SHAFT		(11)(12)		◆	◆
49		945 262 1905	(389 262 2705)	1	MAIN SHAFT		(10)		◆	◆
			(945 262 1705)							
			(945 262 1405)							
			(945 262 1505)							
			(945 262 1105)							
			(945 262 1605)							
50		945 262 6812		1	GEAR 2nd			◆		
50		945 262 3112	(945 262 1712)	1	GEAR 2nd			◆	◆	◆
			(945 262 1612)							
			(945 262 0812)							
			(945 262 0712)							
			(389 262 2812)							
			(389 262 2512)							
51		945 262 5534		2	ENGAGING RING			◆		
51		945 262 0434	(389 262 0034)	2	ENGAGING RING				◆	◆
52		389 262 2535	(945 262 0135)	1	GUIDE SLEEVE			◆	◆	◆
53		945 260 3630	(945 260 3030)	1	SHIFTING FORK			◆		
53		945 260 0330	(945 260 0230)	1	SHIFTING FORK				◆	◆
54		945 265 1904	(945 265 1704)	1	SHIFTING ROD			◆		
54		945 265 1304	(945 265 1204)	1	SHIFTING ROD				◆	◆
			(945 265 0304)							
55		945 981 0010		1	NEEDLE CAGE			◆		
55		018 981 8110	(018 981 7610)	1	NEEDLE CAGE				◆	◆

NOTES :

- [X1] : for gearbox numbered label no 715540 [G260-16/9.75-0.57]
- [X2] : for gearbox numbered label no 715540 MPS+WSK 400+RETARDER
- [X3] : for gearbox numbered label no 715540 EPS+NMW
- (4) to gearbox number of 502734
- (5) from gearbox number of 502735
- (10) to gearbox number of 235269
- (11) from gearbox number of 235270
- (12) to gearbox number of 344483
- (13) from gearbox number of 344484

GEARBOX G260-16

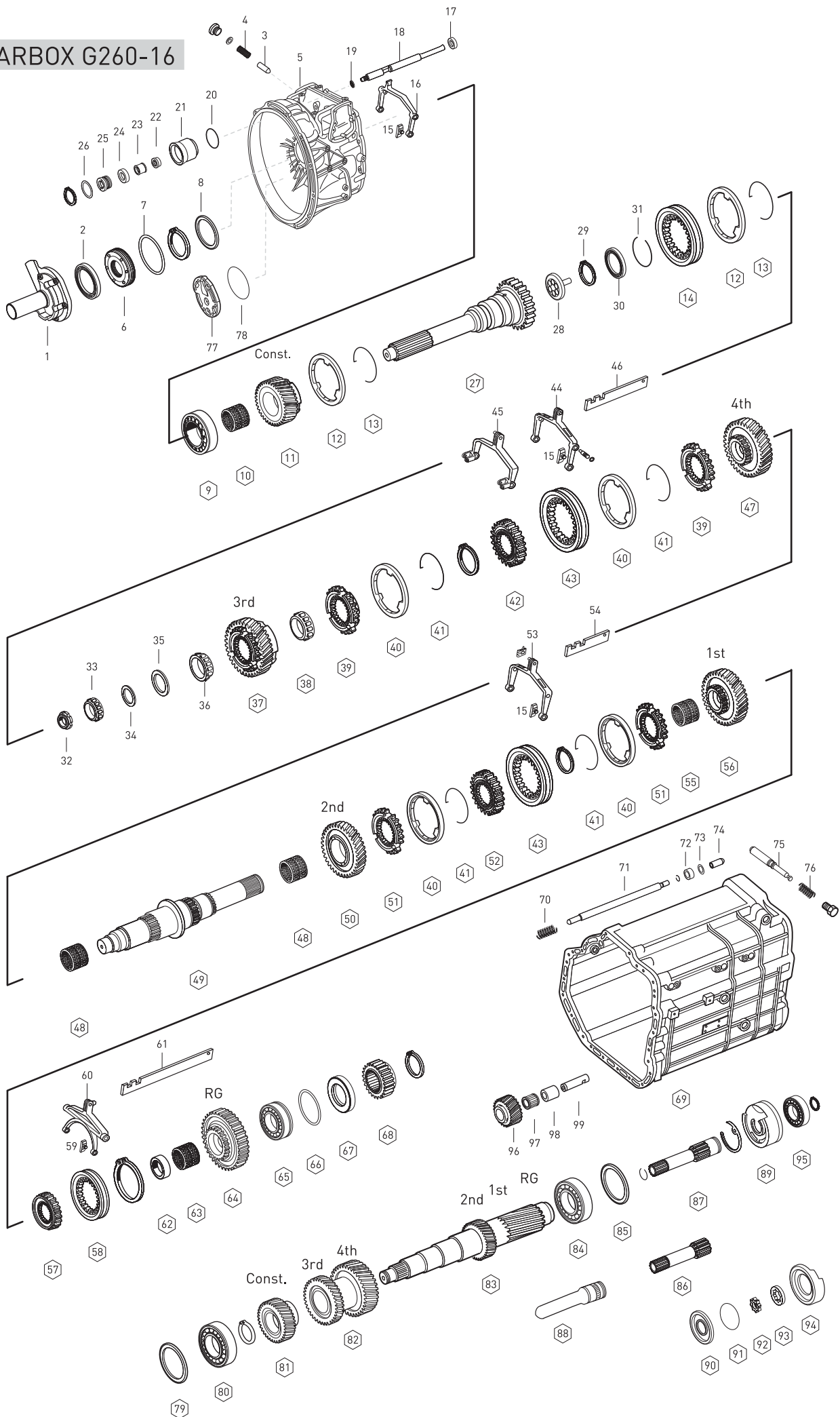


Fig.	o.	Oem No	Oem Old No	Pcs.	Description	Sizes	Notes	[X1]-G260-16	[X2]-G260-16	[X3]-G260-16
56		389 262 2711	(945 262 3111)	1	GEAR 1st			◆		
			(945 262 0811)							
			(389 262 2011)							
			(945 260 1608)							
			(389 260 6108)							
56		945 262 8911	(945 262 9011)	1	GEAR 1st				◆	◆
			(945 262 3711)							
57		389 262 0135		1	HUB			◆	◆	
57		945 262 3835		1	HUB	EPS	(15)			◆
57		389 262 3935		1	HUB	EPS	(14)			◆
58		389 262 1723	(389 262 0023)	1	ENGAGING SLEEVE			◆	◆	
58		389 262 1823	(389 262 0923)	1	ENGAGING SLEEVE	EPS				◆
59		947 265 0249	(945 265 0149)	2	SLIDING PAD			◆	◆	◆
60		945 260 0430		1	SHIFTING FORK			◆	◆	◆
61		945 265 3004		1	SHIFTING ROD			◆	◆	
61		945 265 1004	(945 265 0104)	1	SHIFTING ROD					◆
61		945 265 1104	(945 265 0204)	1	SHIFTING ROD					◆
62		389 262 0150		1	BEARING RACE			◆		
62		389 262 2550	(389 262 1650)	1	BEARING RACE				◆	◆
			(389 262 0050)							
63		013 981 2610	(013 981 1810)	1	NEEDLE CAGE			◆		
63		009 981 1510	(017 981 7810)	1	NEEDLE CAGE				◆	◆
64		960 262 0033		1	REVERSE GEAR			◆		
64		930 262 0233		1	REVERSE GEAR			◆		
64		945 262 3233	(389 262 2033)	1	REVERSE GEAR				◆	
64		945 262 4433		1	REVERSE GEAR	EPS	(15)			◆
64		945 262 3333	(389 262 2133)	1	REVERSE GEAR	EPS	(14)			◆
65		016 981 1305	(014 981 7505)	1	ROLLER BEARING	60X130X30mm		◆	◆	◆
66		389 262 3552		1	SHIM	0.10mm		◆	◆	◆
66		389 262 3652		1	SHIM	0.15mm		◆	◆	◆
66		389 262 3752		1	SHIM	0.20mm		◆	◆	◆
66		389 262 3852		1	SHIM	0.40mm		◆	◆	◆
66		389 262 3952		1	SHIM	0.80mm		◆	◆	◆
67		945 262 0152	(945 262 0052)	1	THRUST WASHER			◆	◆	◆
68		945 262 0909	(389 262 0809)	1	SUN GEAR			◆	◆	◆
			(389 262 0909)							
69		945 261 5626		1	HOUSING			◆		
69		945 261 4826		1	HOUSING			◆		
69		945 261 3226	(945 261 8803)	1	HOUSING			◆		
			(945 261 8603)							
69		945 261 4126		1	HOUSING			◆		

NOTES :

- [X1] : for gearbox numbered label no 715540 (G260-16/9,75-0,57)
- [X2] : for gearbox numbered label no 715540 MPS+WSK 400+RETARDER
- [X3] : for gearbox numbered label no 715540 EPS+NMW
- (14) to gearbox number of 467535
- (15) from gearbox number of 467536

G260-16

GEARBOX G260-16

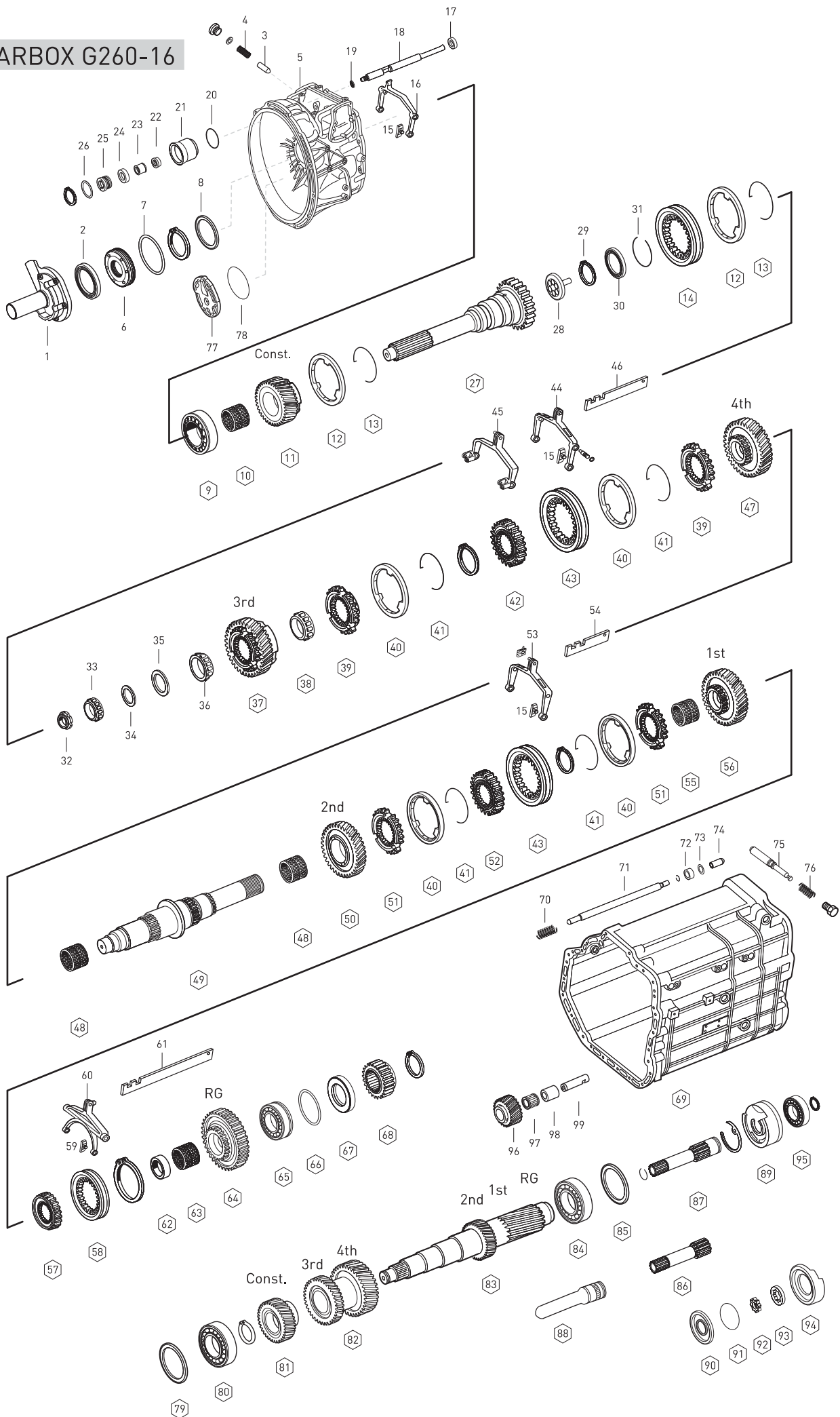


Fig.	Oem No	Oem Old No	Pcs.	Description	Sizes	Notes	[X1]-G260-16	[X2]-G260-16	[X3]-G260-16
69	945 261 8903		1	HOUSING			◆		
69	945 260 8211	(945 260 9911)	1	HOUSING				◆	◆
		(945 260 8111)							
		(945 261 4103)							
		(945 261 4803)							
		(945 261 7803)							
		(945 261 8303)							
		(945 261 7203)							
		(945 261 4603)							
		(945 261 6803)							
		(945 261 3203)							
		(945 261 5403)							
69	945 261 3103	(945 261 3003)	1	HOUSING		(16)		◆	◆
		(945 261 4003)							
70	389 993 0501		1	SPRING			◆	◆	◆
71	945 268 0225		1	SHIFTING ROD			◆	◆	◆
72	389 268 0051		1	SPACER RING			◆	◆	◆
73	000988 006 019		1	FITTED WASHER	0.10mm		◆	◆	◆
73	000988 006 020		1	FITTED WASHER	0.20mm		◆	◆	◆
73	000988 006 021		1	FITTED WASHER	0.30mm		◆	◆	◆
73	000988 006 013		1	FITTED WASHER	0.50mm		◆	◆	◆
73	000988 006 001		1	FITTED WASHER	1.00mm		◆	◆	◆
74	389 268 0674		1	PIN			◆	◆	◆
75	945 268 0374		1	PIN			◆	◆	◆
75	389 267 0974		1	PIN		(17)	◆	◆	◆
75	945 267 0274	(389 267 0274)	1	PIN		(18)	◆	◆	◆
76	389 993 0601		1	SPRING		(17)	◆	◆	◆
76	389 993 3401		1	SPRING		(18)	◆	◆	◆
77	976 261 1633	(976 261 1733)	1	COVER		(20)	◆	◆	◆
		(976 261 1833)							
77	976 261 1133	(976 261 0933)	1	COVER		(19)	◆	◆	◆
		(976 261 1033)							
77	976 261 2133	(976 261 2033)	1	COVER			◆	◆	◆
77	945 261 0333	(945 261 0233)	1	COVER		(19)	◆	◆	◆
78	028 997 2348	(004 997 2248)	1	O-RING		(20)	◆	◆	◆
78	015 997 4048	(022 997 3448)	1	O-RING		(19)	◆	◆	◆
79	389 263 5352		1	SHIM	0.40mm		◆	◆	◆
79	389 263 5852		1	SHIM	0.55mm		◆	◆	◆
79	389 263 6352		1	SHIM	0.70mm		◆	◆	◆
79	389 263 6852		1	SHIM	0.85mm		◆	◆	◆
79	389 263 7352		1	SHIM	1.00mm		◆	◆	◆

NOTES :

- [X1] : for gearbox numbered label no 715540 (G260-16/9,75-0,57)
- [X2] : for gearbox numbered label no 715540 MPS+WSK 400+RETARDER
- [X3] : for gearbox numbered label no 715540 EPS+NMW
- [16] to gearbox number of 035061
- [17] to gearbox number of 167919
- [18] from gearbox number of 167920
- [19] to gearbox number of 041830
- [20] from gearbox number of 041831

GEARBOX G260-16

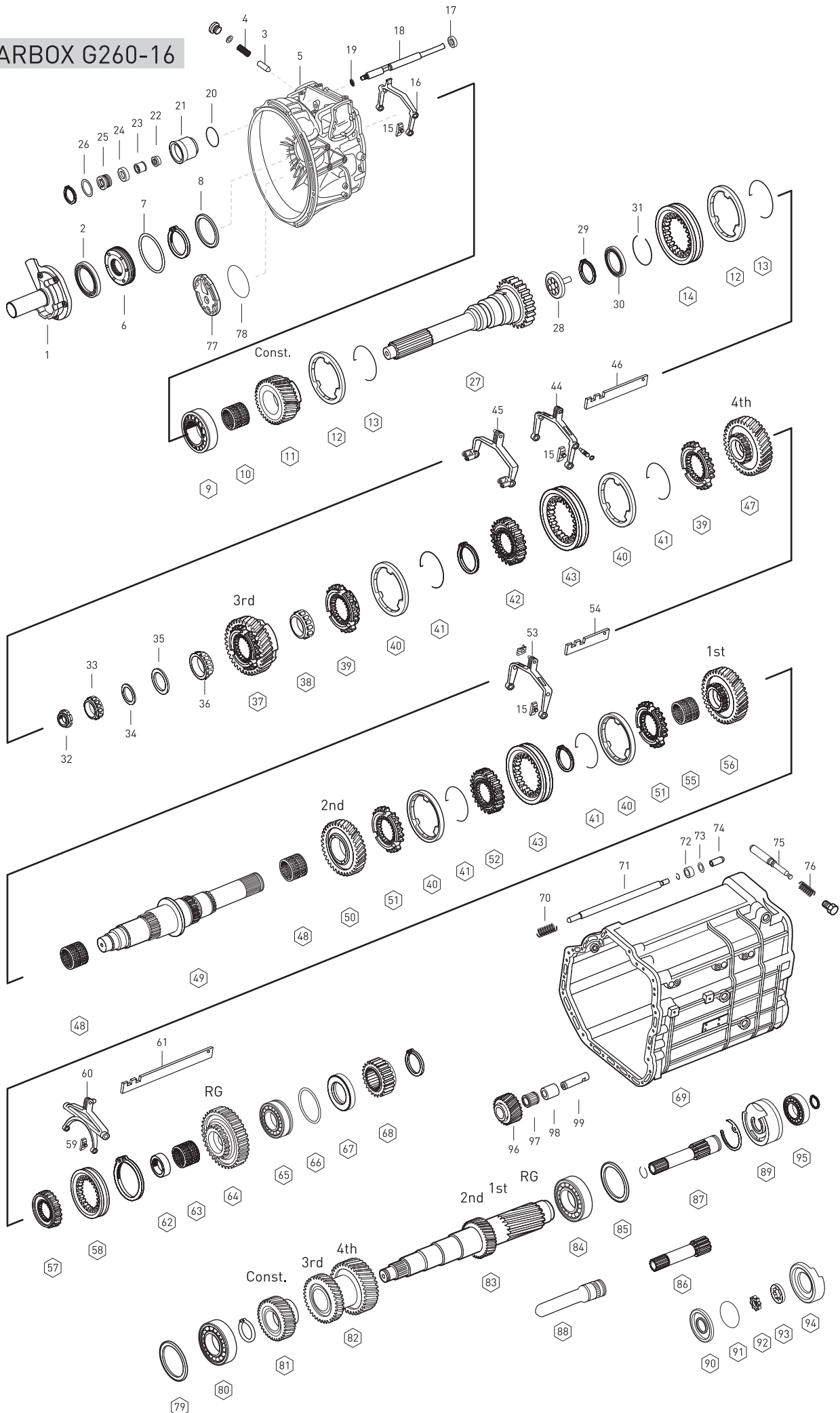


Fig.	Oem No	Oem Old No	Pcs.	Description	Sizes	Notes	[X1]-G260-16	[X2]-G260-16	[X3]-G260-16
79	389 263 7852		1	SHIM	1.15mm		◆	◆	◆
79	389 263 8352		1	SHIM	1.30mm		◆	◆	◆
80	014 981 1405	(013 981 0605)	1	ROLLER BEARING	51X100X37,5mm		◆	◆	◆
81	945 263 0610		1	CONSTANT GEAR			◆		
81	945 263 0510	(389 263 1610)	1	CONSTANT GEAR				◆	◆
82	945 263 3213	(945 263 0013)	1	DOUBLE GEAR 3rd/4th			◆	◆	◆
83	945 263 0902	(945 263 2902)	1	COUNTER SHAFT			◆		
		(389 263 3102)							
		(389 263 2502)							
		(389 263 1602)							
		(389 263 1302)							
83	945 263 0602	(945 263 0102)	1	COUNTER SHAFT				◆	◆
84	012 981 9405	(016 981 1205)	1	ROLLER BEARING	60x130x34mm		◆	◆	◆
85	389 263 0152		1	SHIM	0.10mm		◆	◆	◆
85	389 263 4052		1	SHIM	0.60mm		◆	◆	◆
85	389 263 4152		1	SHIM	0.65mm		◆	◆	◆
85	389 263 4252		1	SHIM	0.70mm		◆	◆	◆
85	389 263 4352		1	SHIM	0.75mm		◆	◆	◆
85	389 263 0552		1	SHIM	0.80mm		◆	◆	◆
85	389 263 4452		1	SHIM	0.85mm		◆	◆	◆
85	389 263 4552		1	SHIM	0.90mm		◆	◆	◆
85	389 263 4652		1	SHIM	0.95mm		◆	◆	◆
85	389 263 4752		1	SHIM	1.00mm		◆	◆	◆
85	389 263 4852		1	SHIM	1.05mm		◆	◆	◆
85	389 263 4952		1	SHIM	1.10mm		◆	◆	◆
85	389 263 5052		1	SHIM	1.15mm		◆	◆	◆
86	947 269 1110	(947 269 1010)	1	OIL PUMP SHAFT			◆	◆	◆
		(945 269 1110)							
		(945 269 1010)							
87	947 264 0005	(389 269 1210)	1	OIL PUMP SHAFT			◆	◆	◆
		(389 269 0310)							
88	945 269 0067		1	OIL COLLECTOR			◆	◆	◆
89	389 260 0690	(389 260 0590)	1	OIL PUMP			◆	◆	◆
90	945 269 0201		1	OIL PUMP COVER			◆	◆	◆
91	029 997 5748		1	OIL SEAL			◆	◆	◆
92	389 269 1406		1	OIL PUMP GEAR			◆	◆	◆
93	389 269 0706		1	ROTOR			◆	◆	◆
94	389 269 3801		1	OIL PUMP HOUSING			◆	◆	◆
95	004 981 8625		1	ROLLER BEARING			◆	◆	◆
96	389 263 1031		1	REV.IDLER GEAR			◆	◆	◆
97	019 981 1310	(012 981 8910)	1	NEEDLE CAGE			◆	◆	◆
98	389 263 0850		1	BUSHING			◆	◆	◆
99	976 263 0030		1	PIN			◆	◆	◆

NOTES :

[X1] : for gearbox numbered label no 715540 [G260-16/9.75-0.57]

[X2] : for gearbox numbered label no 715540 MPS+WSK 400+RETARDER

[X3] : for gearbox numbered label no 715540 EPS+NMW

G260-16

GEARBOX G260-16

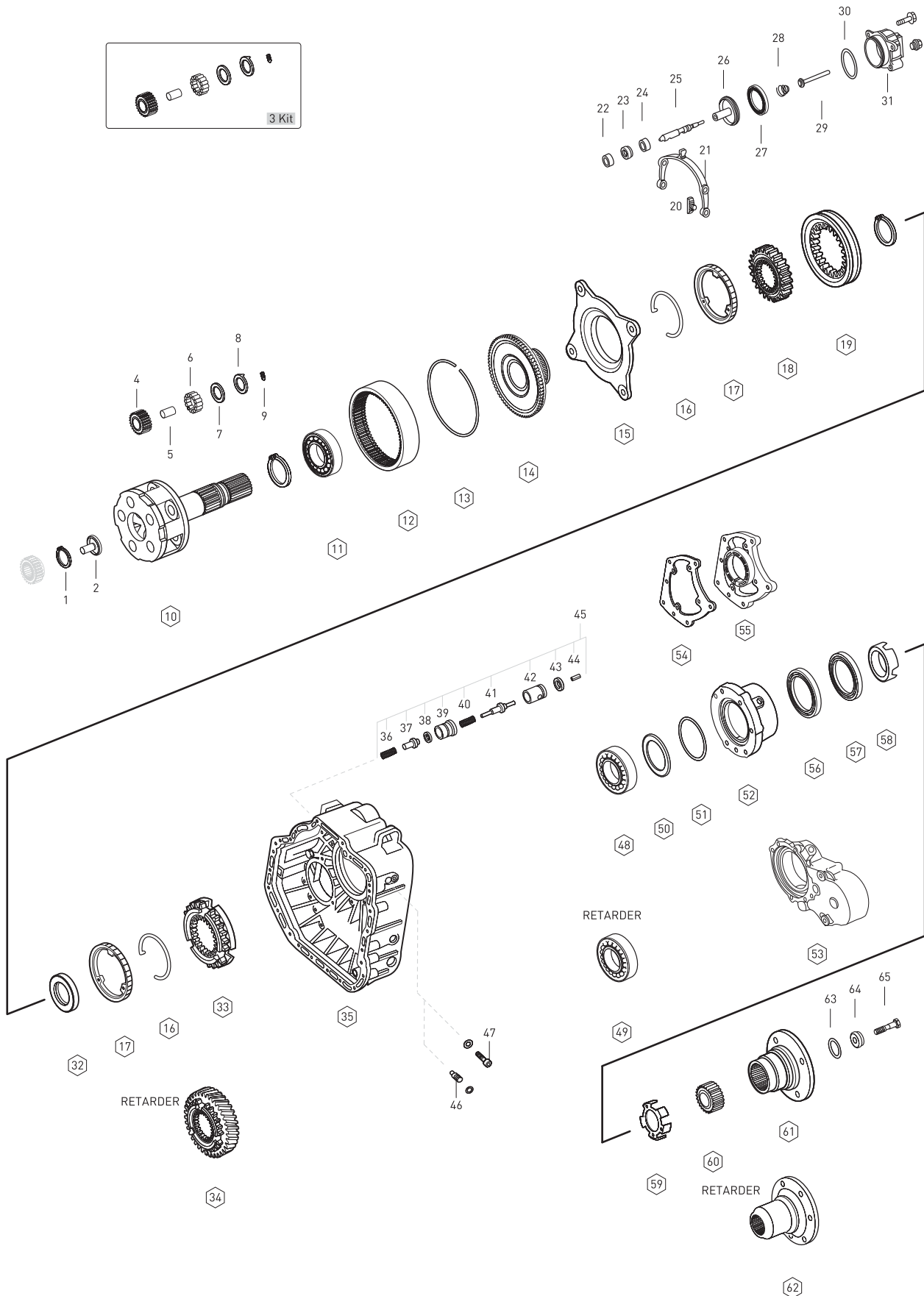


Fig.	Oem No	Oem Old No	Pcs	Description	Sizes	Notes	[X1]-G260-16	[X2]-G260-16	[X3]-G260-16
1	000472 060 000		1	SNAP RING			◆	◆	◆
2	945 269 0834	(389 269 4734)	1	OIL TUBE			◆	◆	◆
3	655 260 0197		5	PLANETARY GEAR SET			◆	◆	◆
4	945 262 0006		5	PLANETARY GEAR 28 T			◆	◆	◆
5	389 262 0407		5	PLANETARY SHAFT			◆	◆	◆
6	000 981 4386	(000 981 4186)	125	NEEDLE ROLLER	4.995X39.60mm		◆	◆	◆
7	945 262 0162	(389 262 0262)	10	THRUST WASHER	35.35X65.50X1.25mm		◆	◆	◆
8	389 262 6462	(389 262 0162)	10	THRUST WASHER	35.35X43.90X1.00mm		◆	◆	◆
9	000914 006 109		5	THREADED PIN	5.90X13.90mm		◆	◆	◆
10	946 260 3561	(946 260 3661)	1	PLANETARY CARRIER			◆	◆	◆
		(945 260 4561)							
		(945 260 4461)							
11	008 981 1325		1	ROLLER BEARING	90X130X14mm		◆	◆	◆
12	945 262 0808		1	RING WHEEL 85 T			◆		
12	945 262 0208		1	RING WHEEL 85 T	70.0mm			◆	◆
13	389 262 0773		1	LOCK RING			◆	◆	◆
14	389 262 1425		1	CARRIER HUB 85 T			◆	◆	◆
15	947 260 3036	(947 260 0836)	1	FOLLOWER RING		(2)	◆		
15	389 260 2036		1	FOLLOWER RING		(1)		◆	◆
16	389 262 0293		2	SPRING			◆	◆	◆
17	947 260 3045	(947 260 0945)	2	SYNCHRONIZING CONE		(2)	◆		
17	945 260 0850		2	SYNCHRONIZING CONE		(1)		◆	
17	389 262 0537		2	SYNCHRONIZING CONE		(1)			◆
18	389 262 4935	(389 262 2035)	1	GUIDE SLEEVE			◆	◆	◆
19	930 262 0623	(945 262 6923)	1	ENGAGING SLEEVE		(2)	◆		
19	945 262 6623	(945 262 2623)	1	ENGAGING SLEEVE		(1)		◆	◆
		(945 262 0823)							
		(389 262 3823)							
		(389 262 3623)							
		(389 262 1623)							
20	947 265 0349	(389 265 2749)	2	SLIDING PAD		(2)	◆		
20	389 265 2449		2	SLIDING PAD		(1)		◆	◆
21	947 265 2701	(947 265 2601)	1	SHIFTING FORK		(2)	◆		
21	947 265 1701	(947 265 1901)	1	SHIFTING FORK		(1)		◆	◆
		(930 265 0001)							
		(389 265 0901)							
		(389 265 0201)							
22	000 992 7703	(389 267 2250)	1	BUSHING			◆	◆	◆
23	000 267 0197	(000 267 0397)	1	FLANGE PACKING			◆	◆	◆
24	387 267 0650		1	BUSHING			◆	◆	◆
25	930 267 0217	(945 267 2217)	1	SHIFTING ROD			◆		

NOTES :

- [X1] : for gearbox numbered label no 715540 [G260-16/9.75-0.57]
- [X2] : for gearbox numbered label no 715540 MPS+WSK 400+RETARDER
- [X3] : for gearbox numbered label no 715540 EPS+NMW
- (1) to gearbox number of 366886
- (2) from gearbox number of 366887

G260-16

GEARBOX G260-16

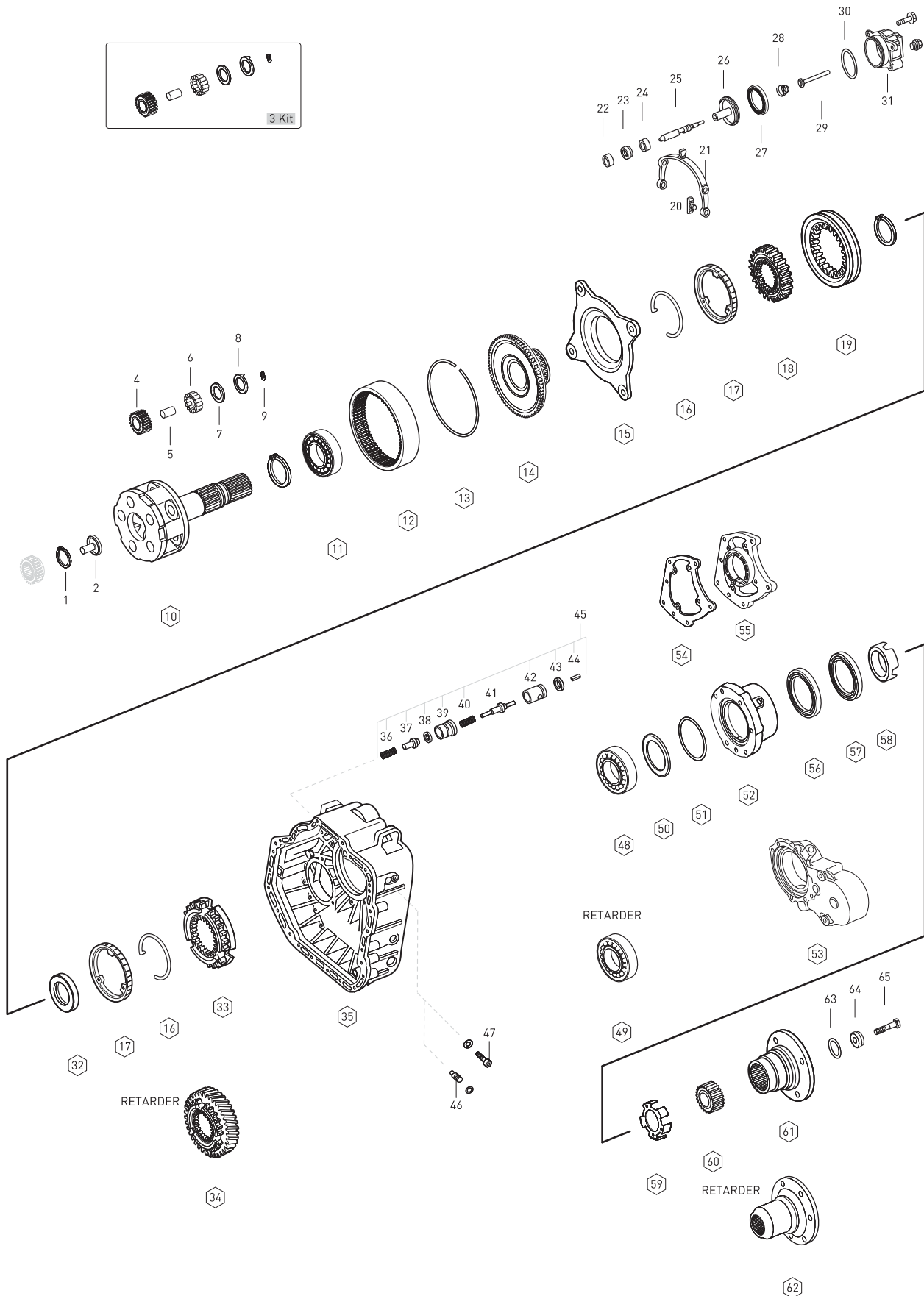


Fig.	Oem No	Oem Old No	Pcs.	Description	Sizes	Notes	[X1]-G260-16	[X2]-G260-16	[X3]-G260-16
25	930 267 0217	(945 267 2117)	1	SHIFTING ROD			◆		
25	930 260 1189	(930 260 0389)	1	SHIFTING ROD				◆	◆
25	930 260 2889	(389 267 7617)	1	SHIFTING ROD				◆	◆
		(389 267 6917)							
25	930 260 1589	(930 260 0789)	1	SHIFTING ROD				◆	◆
25	930 260 2789	(389 267 7317)	1	SHIFTING ROD				◆	◆
25	930 260 1489	(930 260 0689)	1	SHIFTING ROD				◆	
		(930 260 1689)							
		(930 260 0889)							
25	930 260 2589	(389 267 3517)	1	SHIFTING ROD				◆	◆
26	930 267 0618		1	PISTON			◆		
26	945 267 0718		1	PISTON			◆		
26	389 267 1018	(389 267 0118)	1	PISTON				◆	◆
27	024 997 8347	(020 997 6747)	1	SEAL RING			◆	◆	◆
		(014 997 3647)							
		(014 997 5147)							
28	008 993 0801		1	SPRING			◆	◆	◆
28	000 993 6705		1	SPRING			◆	◆	◆
29	000 543 5785		1	PIN			◆	◆	◆
29	000 543 5485	(000 543 5185)	1	PIN			◆	◆	◆
30	017 997 6545		1	O-RING	96.0X1.5mm		◆	◆	◆
31	945 267 1219	(945 267 1019)	1	SHIFTING CYLINDER		(4)	◆	◆	◆
		(945 267 0519)							
31	945 267 1319	(945 267 1619)	1	SHIFTING CYLINDER		(3)	◆	◆	◆
32	389 262 0251		1	SPACER RING			◆	◆	◆
33	945 262 3834		1	ENGAGING RING		(2)	◆		
33	945 262 1234	(389 262 9234)	1	ENGAGING RING		(1)			◆
34	930 264 0420	(945 264 0620)	1	ENGAGING RING	RETARDER	(2)		◆	
34	930 264 0220	(945 264 0420)	1	ENGAGING RING	RETARDER	(1)		◆	
		(945 264 0220)							
34	930 264 0320	(945 264 0520)	1	ENGAGING RING	RETARDER	(2)		◆	
34	945 264 0130		1	ENGAGING RING	RETARDER	(1)		◆	
34	389 264 0730	(389 264 0430)	1	ENGAGING RING	RETARDER			◆	
35	945 260 6812		1	HOUSING		(2)	◆		
35	945 261 4903	(945 261 9803)	1	HOUSING		(1)(2)		◆	◆
		(945 261 4503)							
35	945 261 1403	(945 261 0703)	1	HOUSING				◆	◆
35	930 260 1811		1	HOUSING			◆		
35	945 260 6912		1	HOUSING			◆		
35	930 260 2411		1	HOUSING			◆		
35	930 260 1511	(930 260 1411)	1	HOUSING			◆		

NOTES :

- [X1] : for gearbox numbered label no 715540 [G260-16/9.75-0.57]
- [X2] : for gearbox numbered label no 715540 MPS+WSK 400+RETARDER
- [X3] : for gearbox numbered label no 715540 EPS+NMW
- (1) to gearbox number of 366886
- (2) from gearbox number of 366887
- (3) to gearbox number of 117884
- (4) from gearbox number of 117885

G260-16

GEARBOX G260-16

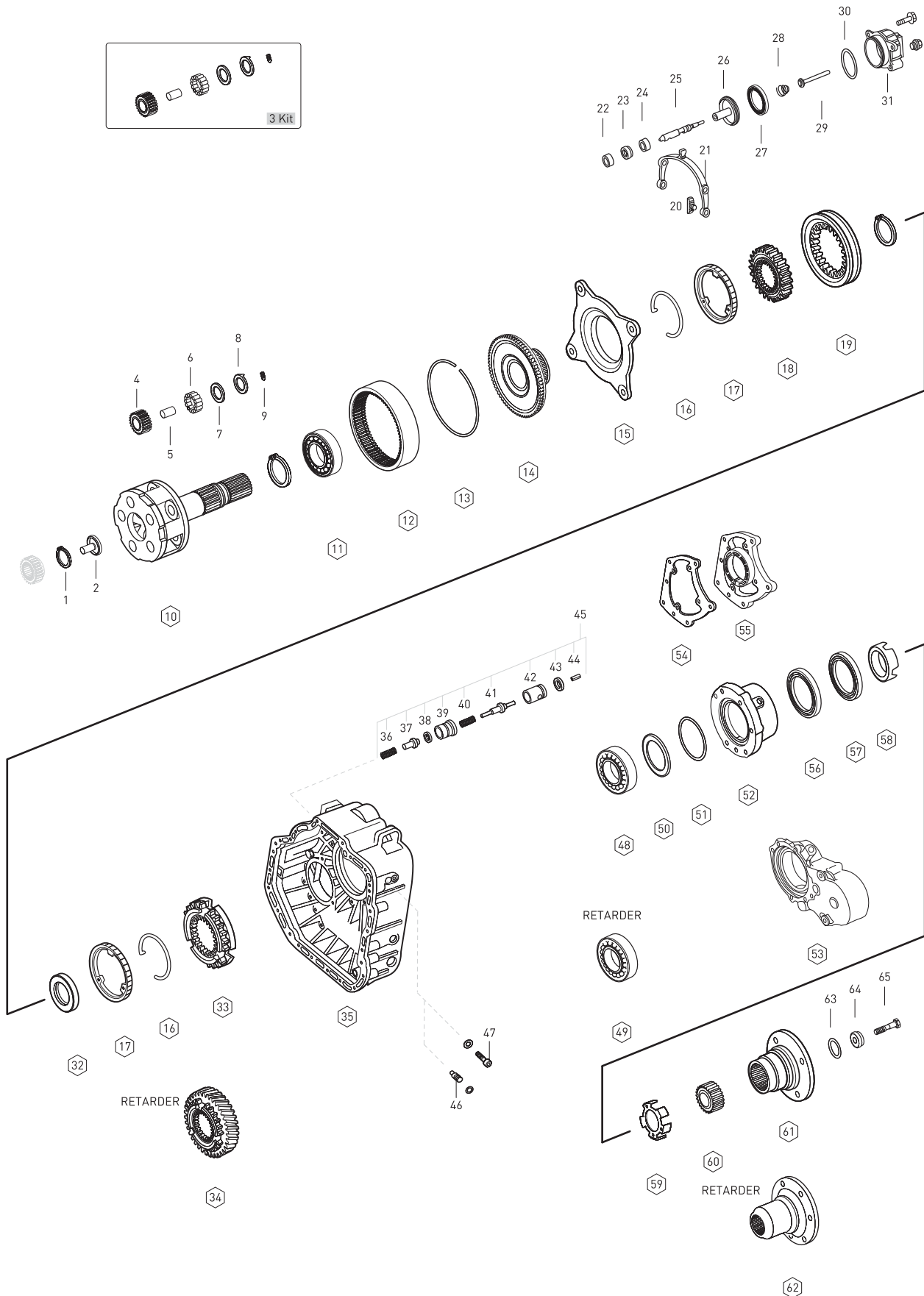


Fig.	Oem No	Oem Old No	Pcs.	Description	Sizes	Notes	[X1]-G260-16	[X2]-G260-16	[X3]-G260-16
35	945 261 3826	(945 261 4303)	1	HOUSING		(6)	◆	◆	◆
		(945 261 0426)							
		(945 261 4703)							
		(945 261 2803)							
35	930 260 2311		1	HOUSING			◆		
35	945 261 2503		1	HOUSING		(5)		◆	◆
35	945 261 3503	(945 261 0326)	1	HOUSING		(7)		◆	◆
		(945 261 3403)							
35	945 261 1603	(945 261 0803)	1	HOUSING				◆	◆
		(945 261 0903)							
35	945 261 2703	(945 261 3603)	1	HOUSING				◆	◆
		(945 261 2203)							
		(945 261 2103)							
		(945 261 2003)							
36	389 993 5301		1	SPRING			◆	◆	◆
37	389 269 1026	(389 269 0926)	1	SELECTOR VALVE			◆	◆	◆
38	013 997 0148		1	O-RING	13.3X2.4mm		◆	◆	◆
39	389 269 1444	(389 269 0744)	1	VALVE INSERT			◆	◆	◆
		(389 269 0144)							
40	389 993 4401		1	SPRING	11.5X41.9X1.0mm		◆	◆	◆
41	389 269 0826		1	SELECTOR VALVE			◆	◆	◆
42	389 269 0844		1	BALL			◆	◆	◆
43	013 997 0048		1	O-RING	19.2X3.0mm		◆	◆	◆
44	001481 004 001		1	CLAMPING SLEEVE			◆	◆	◆
45	655 260 0157		1	VALVE KIT	(PTO)		◆	◆	◆
46	389 265 0974		2	PIN		(8)	◆	◆	◆
46	945 265 1474	(945 265 1774)	2	PIN		(9)	◆	◆	◆
		(389 265 2874)							
47	007984 008 013		2	SCREW		(8)	◆	◆	◆
48	008 981 5225	(008 981 3025)	1	ROLLER BEARING		(11)	◆		◆
48	008 981 1425		1	ROLLER BEARING			◆		◆
48	004 981 8925		1	ROLLER BEARING		(10)	◆		◆
49	007 981 8701		1	ROLLER BEARING	RETARDER			◆	
49	007 981 8201		1	ROLLER BEARING	RETARDER			◆	
50	389 262 7754		1	SHIM	1.40mm	(12)	◆	◆	◆
50	389 262 5152		1	SHIM	0.80mm	(12)	◆	◆	◆
50	389 262 5052		1	SHIM	0.40mm	(12)	◆	◆	◆
50	389 262 7654		1	SHIM	0.25mm	(12)	◆	◆	◆
50	389 262 4952		1	SHIM	0.20mm	(12)	◆	◆	◆
50	389 262 4852		1	SHIM	0.15mm	(12)	◆	◆	◆
50	389 262 4752		1	SHIM	0.10mm	(12)	◆	◆	◆

NOTES :

- [X1] : for gearbox numbered label no 715540 (G260-16/9.75-0.57)
- [X2] : for gearbox numbered label no 715540 MPS+WSK 400+RETARDER
- [X3] : for gearbox numbered label no 715540 EPS+NMW
- (5) to gearbox number of 044406
- (6) from gearbox number of 044407
- (7) from gearbox number of 050091
- (8) to gearbox number of 490748
- (9) from gearbox number of 490749
- (10) to gearbox number of 505541
- (11) from gearbox number of 505542
- (12) from gearbox number of 339360

G260-16

GEARBOX G260-16

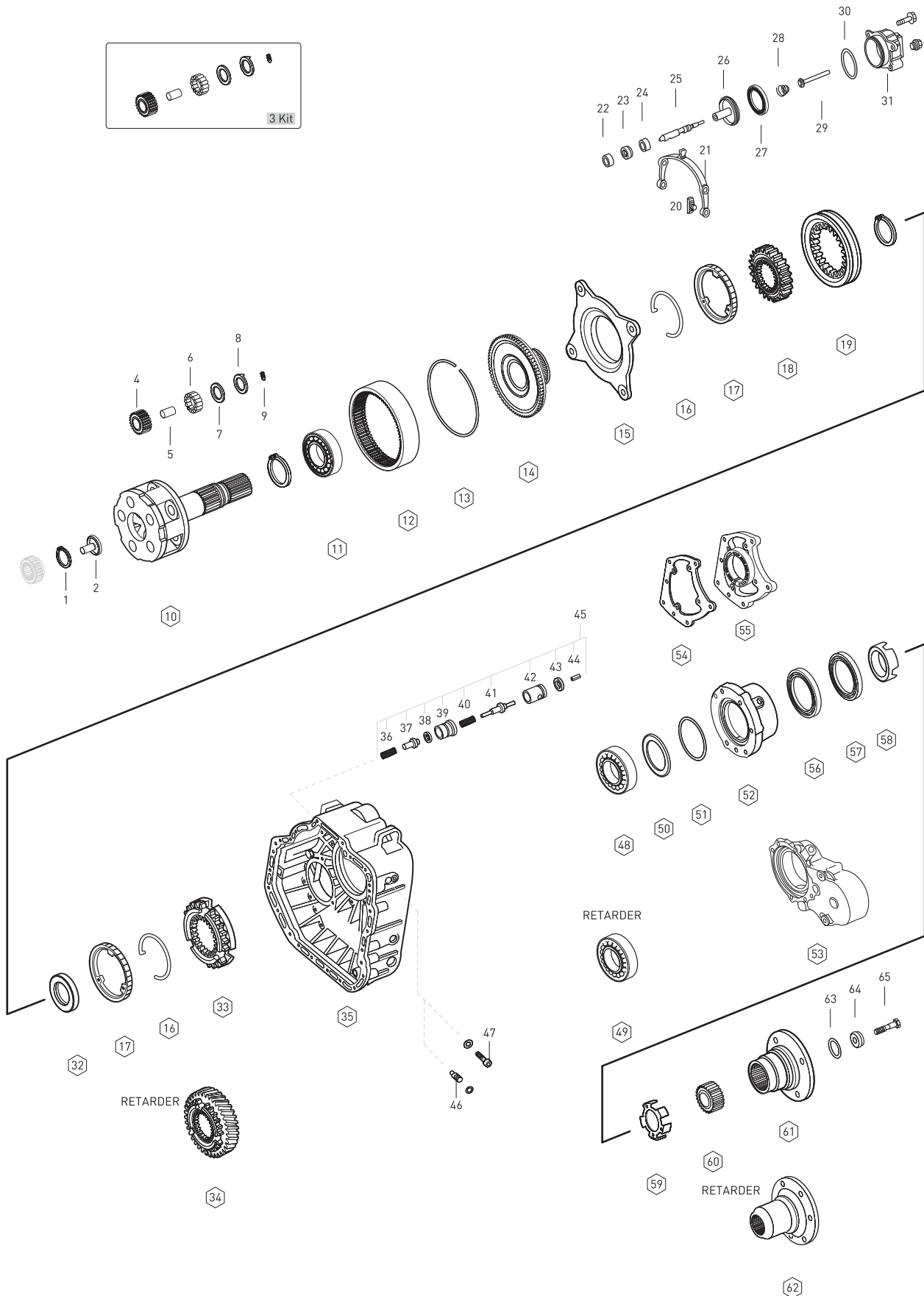


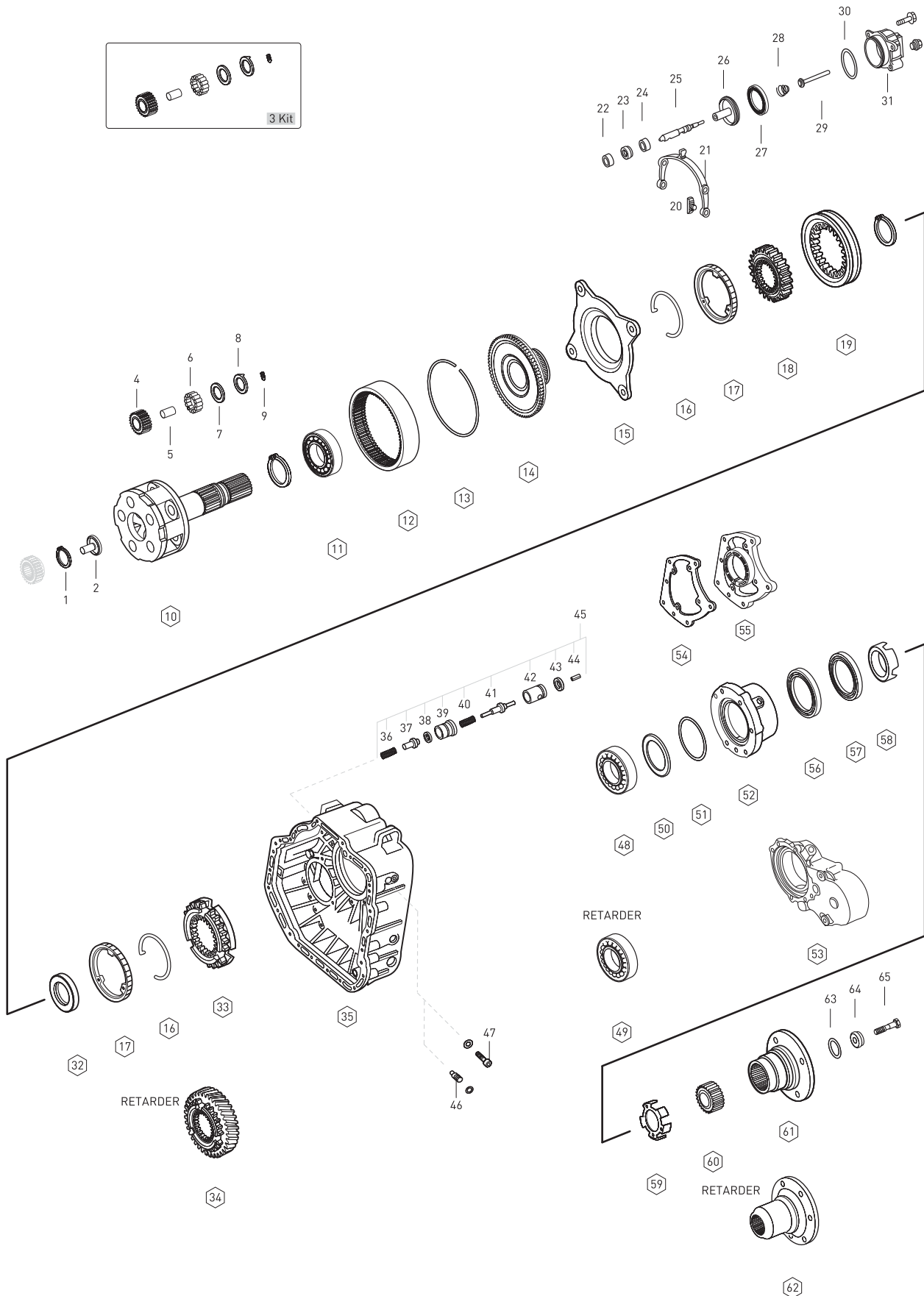
Fig.	Oem No	Oem Old No	Pcs.	Description	Sizes	Notes	[X1]-G260-16	[X2]-G260-16	[X3]-G260-16
51	020 997 8548	(015 997 2848)	1	O-RING	149.5X3.0mm		◆	◆	◆
52	389 261 1920	(389 261 0520)	1	COVER			◆	◆	◆
		(389 261 0420)							
52	930 261 0420		1	COVER			◆	◆	◆
52	930 261 0520	(389 261 2220)	1	COVER			◆	◆	◆
		(389 261 2020)							
		(389 261 1820)							
53	389 261 1120		1	COVER			◆	◆	◆
54	945 261 0280		1	GASKET	(PTO)		◆	◆	◆
55	945 261 1033		1	COVER	(PTO)		◆	◆	◆
55	389 261 2433	(389 261 1033)	1	COVER	(PTO)		◆	◆	◆
		(389 261 2333)							
		(389 261 0933)							
56	013 997 5547		1	OIL SEAL			◆	◆	◆
56	013 997 7247		1	OIL SEAL			◆	◆	◆
56	014 997 1947		1	OIL SEAL			◆	◆	◆
56	015 997 6647		1	OIL SEAL			◆	◆	◆
56	015 997 6447		1	OIL SEAL			◆	◆	◆
57	015 997 4247		1	OIL SEAL			◆	◆	◆
57	013 997 7347		1	OIL SEAL			◆	◆	◆
57	013 997 5647		1	OIL SEAL			◆	◆	◆
57	017 997 1247		1	OIL SEAL			◆	◆	◆
57	015 997 4247		1	OIL SEAL			◆	◆	◆
57	017 997 7347		1	OIL SEAL			◆	◆	◆
58	930 262 0028		1	PULSE STAR		[16]	◆		◆
58	945 262 0228		1	PULSE STAR			◆		◆
58	945 262 0528	(389 260 0150)	1	PULSE STAR		[14][15]	◆		◆
58	945 262 0628	(389 260 0350)	1	PULSE STAR	RETARDER	[13]		◆	
59	387 262 0828	(387 262 0428)	1	PULSE STAR	(PTO)		◆	◆	◆
60	389 264 0021		1	GEAR	(PTO)		◆	◆	◆
61	389 262 0545	(945 262 0145)	1	COMPANION FLANGE	4-H, Ø180mm		◆		◆
61	389 262 0445		1	COMPANION FLANGE	4-H, Ø180mm	[13]	◆		◆
61	930 262 0145		1	COMPANION FLANGE	4-H, Ø200mm		◆		◆
61	930 262 0045		1	COMPANION FLANGE	4-H, Ø180mm	[14]	◆		◆
61	945 262 0245		1	COMPANION FLANGE	4-H, Ø200mm		◆		◆
61	389 262 0945	(945 262 0345)	1	COMPANION FLANGE	4-H, Ø200mm		◆		◆
61	389 262 0645		1	COMPANION FLANGE	4-H, Ø200mm		◆		◆
62	930 262 0245		1	COMPANION FLANGE	RETARDER			◆	
62	945 262 0545		1	COMPANION FLANGE	RETARDER			◆	
62	387 264 2045	(387 264 1945)	1	COMPANION FLANGE	RETARDER			◆	
62	945 262 0445		1	COMPANION FLANGE	RETARDER			◆	

NOTES :

- [X1] : for gearbox numbered label no 715540 [G260-16/9.75-0.57]
- [X2] : for gearbox numbered label no 715540 MPS+WSK 400+RETARDER
- [X3] : for gearbox numbered label no 715540 EPS+NMW
- [13] to gearbox number of 080586
- [14] from gearbox number of 080587
- [15] to gearbox number of 364000
- [16] from gearbox number of 364001

G260-16

GEARBOX G260-16



SYNCHRONIZER KIT CONST.
NEWMODEL

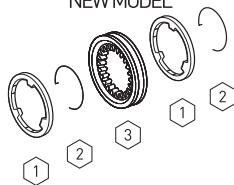


Fig.	o. Oem No	Oem Old No	Pcs	Description
	2106224		Kit	SYNCHRONIZER KIT Const
1	945 260 2245	(947 260 0545)	2	SYNCHRONIZING CONE
2	387 262 1093		2	SPRING
3	945 262 6823	(945 262 6423)	1	ENGAGING SLEEVE

SYNCHRONIZER KIT CONST.

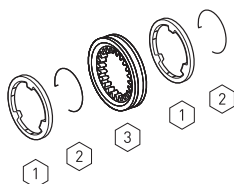


Fig.	o. Oem No	Oem Old No	Pcs	Description
	2106225		Kit	SYNCHRONIZER KIT Const
1	389 262 0637		2	SYNCHRONIZING CONE
2	387 262 1093		2	SPRING
3	945 262 2823	(945 262 0323)	1	ENGAGING SLEEVE
		(945 262 0623)		
		(389 262 4123)		
		(389 262 2723)		

SYNCHRONIZER KIT 3rd/4th
NEWMODEL

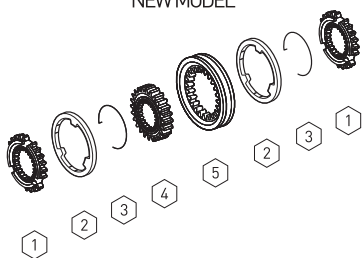


Fig.	o. Oem No	Oem Old No	Pcs	Description
	2106211		Kit	SYNCH.KIT 3rd/4th
1	945 262 5434		2	ENGAGING RING
2	947 260 1945	(946 262 6137)	2	SYNCHRONIZING CONE
		(947 260 0745)		
3	387 262 0893		2	SPRING
4	389 262 4735	(389 262 4635)	1	GUIDE SLEEVE
5	945 262 6523		1	ENGAGING SLEEVE

SYNCHRONIZER KIT 3rd/4th

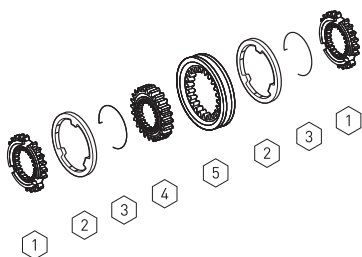


Fig.	o. Oem No	Oem Old No	Pcs	Description
	2106212		Kit	SYNCH.KIT 3rd/4th
1	945 262 0534	(389 262 5034)	2	ENGAGING RING
2	389 262 0737		2	SYNCHRONIZING CONE
3	387 262 0893		2	SPRING
4	389 262 4735	(389 262 4635)	1	GUIDE SLEEVE
5	945 262 2723	(945 262 0423)	1	ENGAGING SLEEVE
		(389 262 2623)		

SYNCHRONIZER KIT 1st/2nd
NEWMODEL

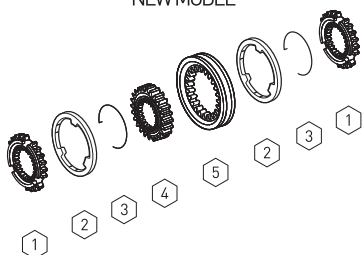


Fig.	o. Oem No	Oem Old No	Pcs	Description
	2106214		Kit	SYNCH.KIT 1st/2nd
1	945 262 5534		2	ENGAGING RING
2	947 260 1945	(946 262 6137)	2	SYNCHRONIZING CONE
		(947 260 0745)		
3	387 262 0893		2	SPRING
4	389 262 2535	(945 262 0135)	1	GUIDE SLEEVE
5	945 262 6523		1	ENGAGING SLEEVE

Fig.	o. Oem No	Oem Old No	Pcs	Description
	2106215		Kit	SYNCH.KIT 1st/2nd
1	945 262 0434	(389 262 0034)	2	ENGAGING RING
2	389 262 0737		2	SYNCHRONIZING CONE
3	387 262 0893		2	SPRING
4	389 262 2535	(945 262 0135)	1	GUIDE SLEEVE
5	945 262 2723	(945 262 0423)	1	ENGAGING SLEEVE
		(389 262 2623)		

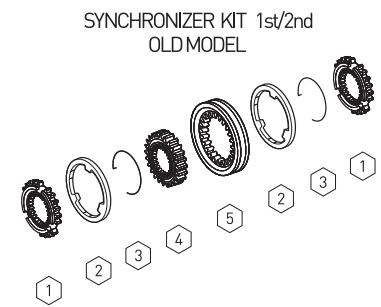


Fig.	o. Oem No	Oem Old No	Pcs	Description
	2106216		Kit	SYNCH.KIT PLANETARY
1	947 260 3036	(947 260 0836)	1	FOLLOWER RING
2	389 262 0293		2	SPRING
3	947 260 3045	(947 260 0945)	2	SYNCHRONIZING CONE
4	389 262 4935	(389 262 2035)	1	GUIDE SLEEVE
5	930 262 0623	(945 262 6923)	1	ENGAGING SLEEVE
6	945 262 3834		1	ENGAGING RING

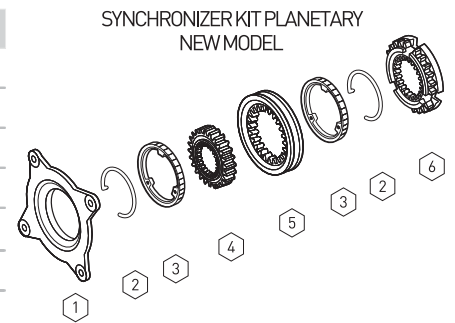


Fig.	o. Oem No	Oem Old No	Pcs	Description
	2106204		Kit	SYNCH.KIT PLANETARY
1	389 262 0293		2	SPRING
2	947 260 3045	(947 260 0945)	2	SYNCHRONIZING CONE
3	389 262 4935	(389 262 2035)	1	GUIDE SLEEVE
4	930 262 0623	(945 262 6923)	1	ENGAGING SLEEVE

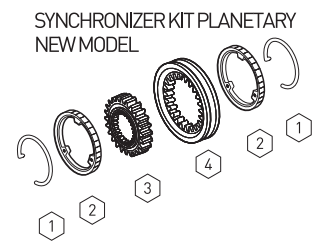


Fig.	o. Oem No	Oem Old No	Pcs	Description
	2106217		Kit	SYNCH.KIT PLANETARY
1	389 260 2036		1	FOLLOWER RING
2	389 262 0293		2	SPRING
3	389 262 0537		2	SYNCHRONIZING CONE
4	389 262 4935	(389 262 2035)	1	GUIDE SLEEVE
5	945 262 6623	(945 262 2623)	1	ENGAGING SLEEVE
		(945 262 0823)		
		(389 262 3823)		
		(389 262 3623)		
		(389 262 1623)		
6	945 262 1234	(389 262 9234)	1	ENGAGING RING

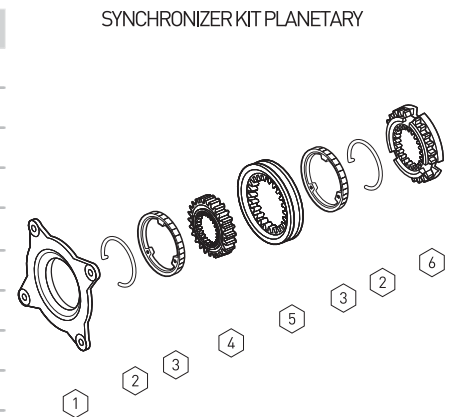
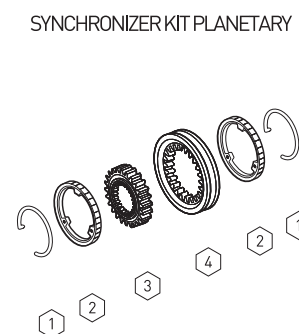


Fig.	o. Oem No	Oem Old No	Pcs	Description
	2106194		Kit	SYNCH.KIT PLANETARY
1	389 262 0293		2	SPRING
2	389 262 0537		2	SYNCHRONIZING CONE
3	389 262 4935	(389 262 2035)	1	GUIDE SLEEVE
4	945 262 6623	(945 262 2623)	1	ENGAGING SLEEVE
		(945 262 0823)		
		(389 262 3823)		
		(389 262 3623)		
		(389 262 1623)		



RETARDER

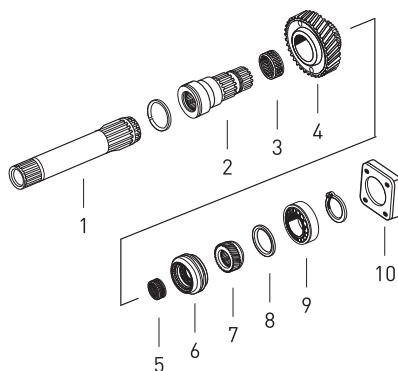


Fig.	o. Oem No	Oem Old No	Pcs	Description
1	387 264 0505		1	INTERM.SHAFT
1	389 264 0105		1	INTERM.SHAFT
1	945 264 0605		1	INTERM.SHAFT
1	945 264 0705		1	INTERM.SHAFT
1	945 264 1405		1	INTERM.SHAFT
2	945 264 0606		1	DRIVE SHAFT
3	010 981 1310		1	NEEDLE CAGE
4	945 264 0020		1	GEAR
5	015 981 9310		1	NEEDLE CAGE
6	389 264 0023		1	SLIDING COLLAR
7	945 264 0046		1	FOLLOWER
8	673 264 0252		1	SHIM (0.10mm)
8	673 264 0352		1	SHIM (0.15mm)
8	673 264 0452		1	SHIM (0.25mm)
8	673 264 0552		1	SHIM (0.30mm)
9	009 981 5301		1	ROLLER BEARING
10	389 264 0111		1	COVER

RETARDER

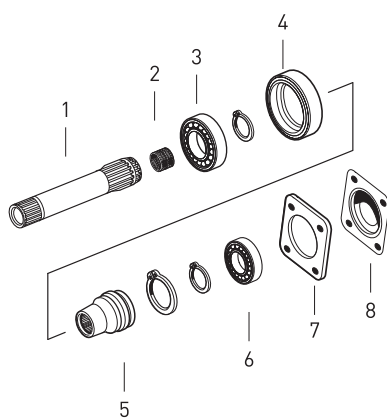


Fig.	o. Oem No	Oem Old No	Pcs	Description
1	945 264 0305		1	INTERM.SHAFT
1	389 264 0505		1	INTERM.SHAFT
1	K21.03493 389 264 0205	(387 264 0405)	1	INTERM.SHAFT
2	013 981 0610		1	NEEDLE CAGE
3	008 981 3225		1	ROLLER BEARING
4	945 264 0687	(389 264 0587)	1	RING
5	389 264 0223		1	SLIDING COLLAR
6	006 981 2525		1	ROLLER BEARING
7	389 264 0780		1	GASKET
8	945 264 0611		1	COVER
8	389 264 0311		1	COVER

Fig.	o. Oem No	Oem Old No	Pcs	Description
1	013 981 4705		1	ROLLER BEARING
2	945 264 0406		1	DRIVE SHAFT
2	945 264 0306		1	DRIVE SHAFT
3	019 997 8747		1	O-RING
4	019 997 8647		1	O-RING
5	015 981 0805		1	ROLLER BEARING
6	013 981 4605		1	ROLLER BEARING
7	945 264 0221		1	GEAR
8	945 264 0251		1	THRUST WASHER
9	013 981 0605		1	ROLLER BEARING
10	389 264 0652		1	SHIM (0.10mm)
10	389 264 0752		1	SHIM (0.15mm)
10	389 264 0852		1	SHIM (0.30mm)
10	389 264 0952		1	SHIM (0.50mm)
11	010 997 7445		1	O-RING
12	945 260 0027		1	SPINDLE

P.T.O. (POWER TAKE OFF)
N.M.V. GEARBOX

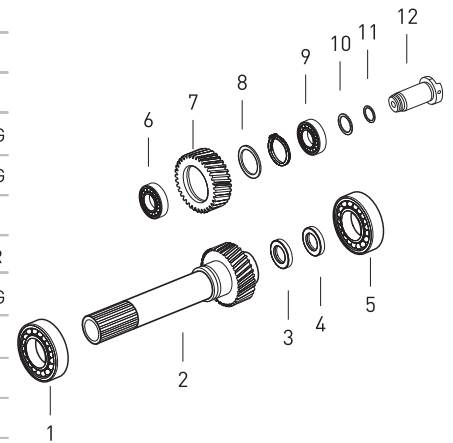


Fig.	o. Oem No	Oem Old No	Pcs	Description
1	945 264 0106	(945 264 0506)	1	DRIVE SHAFT P.T.O.
2	011 981 4110	(011 981 4010)	1	NEEDLE BEARING
3	389 264 0073		1	RETAINING RING
4	389 264 0129		1	SPL.RING (3.97mm)
4	389 264 0829		1	SPL.RING (4.12mm)
4	389 264 0929		1	SPL.RING (4.22mm)
4	389 264 0429		1	SPL.RING (4.27mm)
5	945 264 0007		1	DISC SUPPORT
6	017 981 3705	(002 981 4481)	1	INNER RING
7	001 981 9280		1	OUTER RACE
8	945 264 0321		1	GEAR
8	945 264 0421		1	GEAR
9	389 264 1252		1	SHIM (0.05mm)
9	389 264 1352		1	SHIM (0.10mm)
9	389 264 1652		1	SHIM (0.30mm)
9	389 264 1752		1	SHIM (0.50mm)
10	009 981 6705	(009 981 7205)	1	ROLLER BEARING
11	385 993 3701		5	SPRING

P.T.O. (POWER TAKE OFF)
N.M.V. GEARBOX

