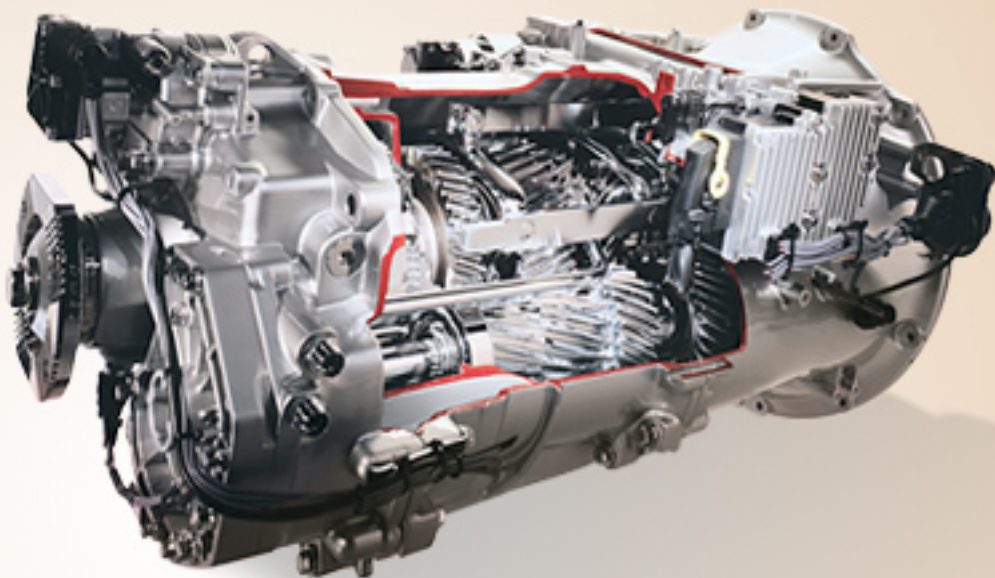


# GEARBOX

# MMB



# GEARBOX G125-16

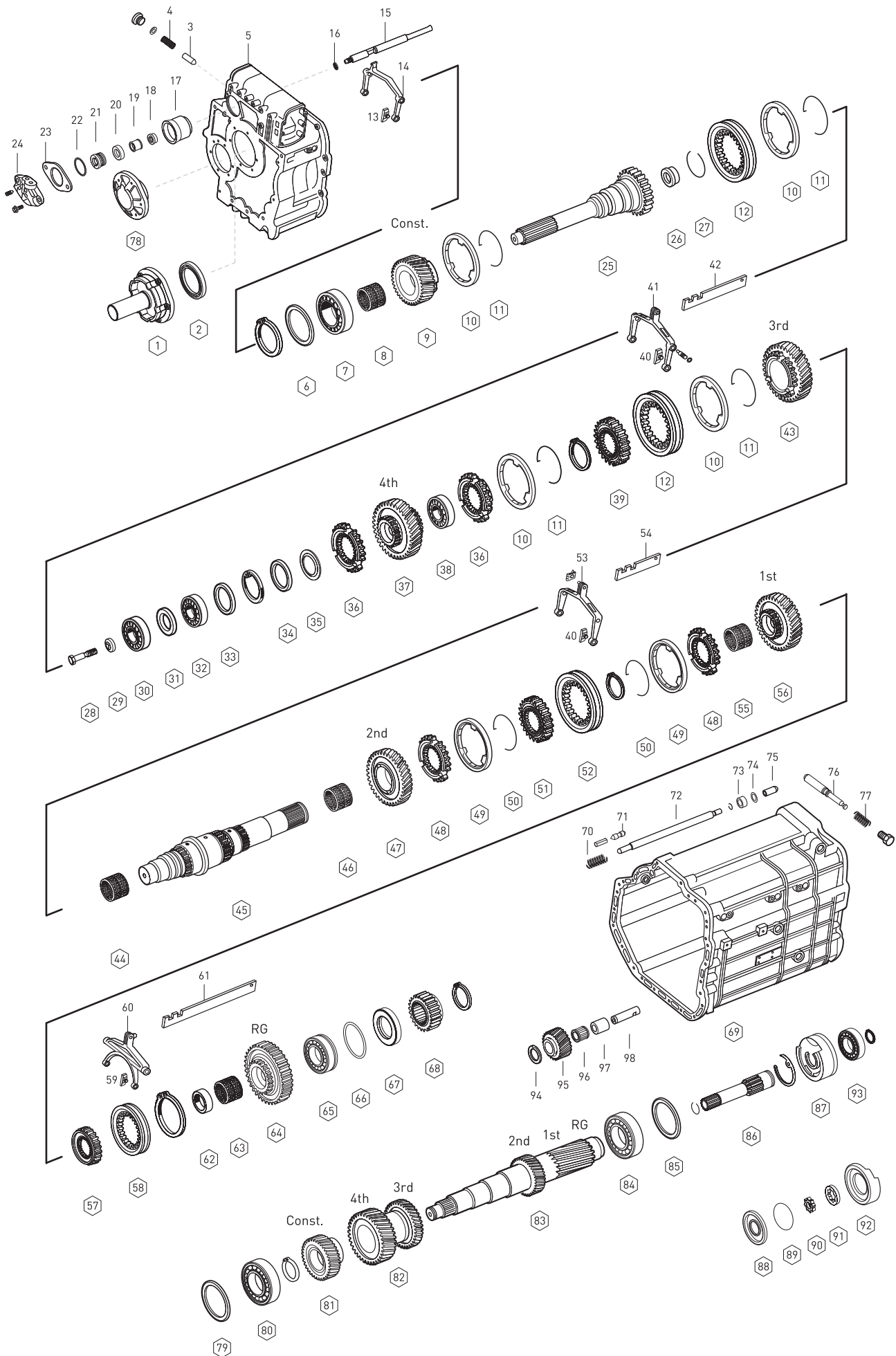


Fig.	Oem No	Oem Old No	Pcs.	Description	Sizes	Notes	[X1]-G125-16/14.0	[X2]-G125-16/14.0	[X3]-G125-16/14.0	[X4]-G125-16/14.0
1	389 261 4418	(389 261 3418)	1 P	COVER			◆	◆		◆
1	389 261 3318		1 P	COVER					◆	
2	015 997 0347		1 P	OIL SEAL			◆	◆		◆
2	015 997 0447		1 P	OIL SEAL			◆	◆		◆
2	015 997 0547		1 P	OIL SEAL			◆	◆		◆
2	015 997 1647	(015 997 0647)	1 P	OIL SEAL					◆	
2	024 997 2147		1 P	OIL SEAL					◆	
3	389 267 1174	(387 267 0034)	1 S	PIN			◆	◆	◆	◆
4	387 993 4401		1 S	SPRING	9.8X63.3mm		◆	◆	◆	◆
4	387 993 4501		1 S	SPRING	6.2X63.0mm		◆	◆	◆	◆
5	389 261 1802		1 S	HOUSING		(1)	◆	◆	◆	◆
5	389 261 6302	(389 261 2902)	1 S	HOUSING		(2)	◆	◆	◆	◆
5	389 261 6402	(389 261 4602)	1 S	HOUSING		(2)	◆	◆	◆	◆
5	389 261 9402		1 S	HOUSING		(3)	◆	◆	◆	◆
5	389 261 0108		1 S	HOUSING		(3)	◆	◆	◆	◆
6	389 262 4152		1 P	SHIM	0.10mm	(4)	◆	◆	◆	◆
6	389 262 4452		1 P	SHIM	0.40mm	(4)	◆	◆	◆	◆
6	389 262 1954		1 P	SHIM	0.45mm	(4)	◆	◆	◆	◆
6	389 262 2054		1 P	SHIM	0.50mm	(4)	◆	◆	◆	◆
6	389 262 2154		1 P	SHIM	0.55mm	(4)	◆	◆	◆	◆
6	389 262 2254		1 P	SHIM	0.60mm	(4)	◆	◆	◆	◆
6	389 262 2354		1 P	SHIM	0.65mm	(4)	◆	◆	◆	◆
6	389 262 2454		1 P	SHIM	0.70mm	(4)	◆	◆	◆	◆
6	389 262 2554		1 P	SHIM	0.75mm	(4)	◆	◆	◆	◆
6	389 262 2654		1 P	SPACER WASHER	2.00mm	(4)	◆	◆	◆	◆
6	976 262 6852		1 P	SPACER WASHER	1.60mm	(5)	◆	◆	◆	◆
6	389 262 6455		1 P	SPACER WASHER	2.86mm	(5)	◆	◆	◆	◆
6	389 262 6555		1 P	SPACER WASHER	2.89mm	(5)	◆	◆	◆	◆
6	389 262 6755		1 P	SPACER WASHER	2.95mm	(5)	◆	◆	◆	◆
7	009 981 6205	(009 981 0605)	1 P	ROLLER BEARING	62X72X29.7mm		◆	◆	◆	◆
8	014 981 4110	(013 981 6410)	1 P	NEEDLE CAGE	82X90X35mm	(6)	◆	◆	◆	◆
		(013 981 6210)								
8	016 981 0210	(016 981 6710)	1 P	NEEDLE CAGE	82X90X30mm	(7)	◆	◆	◆	◆
9	389 262 1210		1 T	CONSTANT GEAR 22 T			◆	◆	◆	◆
10	389 262 0637		4 T	SYNCHRONIZING CONE	177.0mm		◆	◆	◆	◆
11	387 262 1093		4 T	SPRING			◆	◆	◆	◆
12	389 262 3023	(389 262 2223)	2 T	ENGAGING SLEEVE			◆	◆	◆	◆
		(389 262 0623)								
13	389 265 1249	(389 265 0949)	2 T	SLIDING PAD			◆	◆	◆	◆
14	389 265 0601		1 T	GEAR SHIT FORK			◆	◆	◆	◆
15	389 267 2217		1 T	G.SHIFT RAIL			◆			

NOTES :

- [X1] : for gearboxes numbered label nos 714720-714730 EPS
- [X2] : for gearboxes numbered label nos 714721-714732 MPS
- [X3] : for gearbox numbered label no 714724 MPS
- [X4] : for gearboxes numbered label nos 714731-714733 NA 4/120-1 C/Z
- (1) to gearbox number of 087774
- (2) to gearbox number of 380570
- (3) from gearbox number of 380571
- (4) to gearbox number of 375914
- (5) from gearbox number of 375915
- (6) to gearbox number of 300439
- (7) from gearbox number of 300440

# GEARBOX G125-16

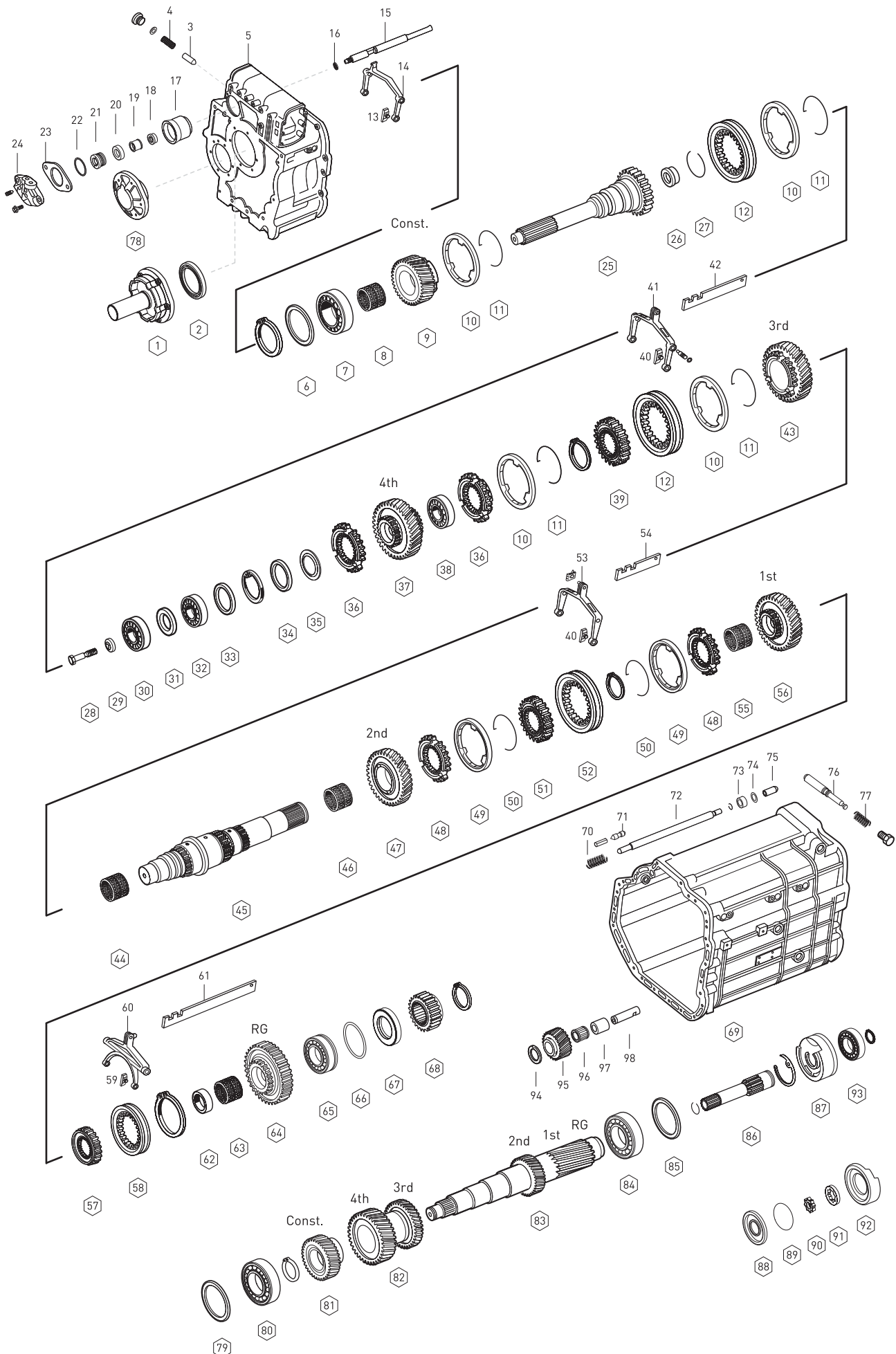


Fig.	Oem No	Oem Old No	Pcs.	Description	Sizes	Notes	[X1]-G125-16/14.0	[X2]-G125-16/14.0	[X3]-G125-16/14.0	[X4]-G125-16/14.0
15	389 267 2017		1	G.SHIFT RAIL			◆	◆	◆	◆
16	387 263 2652		1	SPACER WASHER	0.20mm		◆	◆	◆	◆
16	387 263 2752		1	SPACER WASHER	0.40mm		◆	◆	◆	◆
16	387 263 2852		1	SPACER WASHER	0.60mm		◆	◆	◆	◆
16	387 263 3052		1	SPACER WASHER	1.00mm		◆	◆	◆	◆
17	389 267 3319	(389 267 2119)	1	CYLINDER			◆	◆	◆	◆
		(389 267 2219)								
		(389 267 0419)								
18	000 267 0197	(000 267 0397)	1	FLANGE PACKING			◆	◆	◆	◆
19	387 267 0650		1	BUSHING			◆	◆	◆	◆
20	012 997 3347	(006 997 6447)	1	DOUBLE PACKING			◆	◆	◆	◆
21	945 267 0218	(387 267 0918)	1	PISTON			◆	◆	◆	◆
		(387 267 0618)								
22	007 997 4248		1	O-RING			◆	◆	◆	◆
23	387 263 3352		1	SPACER WASHER	0.20mm		◆	◆	◆	◆
23	387 263 3452		1	SPACER WASHER	0.40mm		◆	◆	◆	◆
23	387 263 3552		1	SPACER WASHER	0.60mm		◆	◆	◆	◆
23	387 263 3752		1	SPACER WASHER	1.00mm		◆	◆	◆	◆
24	389 267 2819	(389 267 2719)	1	COVER			◆	◆	◆	◆
		(389 267 2419)								
		(389 267 2319)								
		(389 267 1519)								
25	389 262 1501		1	INPUT SHAFT		(6)	◆	◆		◆
25	389 262 2001		1	INPUT SHAFT		(6)			◆	
25	389 262 3901		1	INPUT SHAFT		(7)	◆	◆		◆
25	389 262 4201		1	INPUT SHAFT		(7)			◆	
26	018 997 8447		1	OIL SEAL			◆	◆	◆	◆
27	389 262 0973		1	LOCK RING			◆	◆	◆	◆
28	389 990 0819		1	SCREW (Bolts -R- teeth)		(8)	◆	◆	◆	◆
28	389 990 1819		1	SCREW (Bolts -L- teeth)		(9)	◆	◆	◆	◆
29	389 262 0862		1	WASHER			◆	◆	◆	◆
30	009 981 0705		1	ROLLER BEARING	32X72X31mm		◆	◆	◆	◆
30	017 981 3205		1	ROLLER BEARING	32X72X29.5mm		◆	◆	◆	◆
31	389 262 7252		1	THRUST WASHER	0.10mm		◆	◆	◆	◆
31	389 262 7152		1	THRUST WASHER	0.15mm		◆	◆	◆	◆
31	389 262 7052		1	THRUST WASHER	0.20mm		◆	◆	◆	◆
31	389 262 6952		1	THRUST WASHER	0.40mm		◆	◆	◆	◆
31	389 262 6852		1	THRUST WASHER	0.80mm		◆	◆	◆	◆
31	389 262 0154		1	THRUST WASHER	2.30mm		◆	◆	◆	◆
31	389 262 0354		1	THRUST WASHER	2.40mm		◆	◆	◆	◆
31	389 262 0554		1	THRUST WASHER	2.50mm		◆	◆	◆	◆

NOTES :

- [X1] : for gearboxes numbered label nos 714720-714730 EPS
- [X2] : for gearboxes numbered label nos 714721-714732 MPS
- [X3] : for gearbox numbered label no 714724 MPS
- [X4] : for gearboxes numbered label nos 714731-714733 NA 4/120-1 C/Z
- (6) to gearbox number of 300439
- (7) from gearbox number of 300440
- (8) to gearbox number of 136222
- (9) from gearbox number of 136223

# GEARBOX G125-16

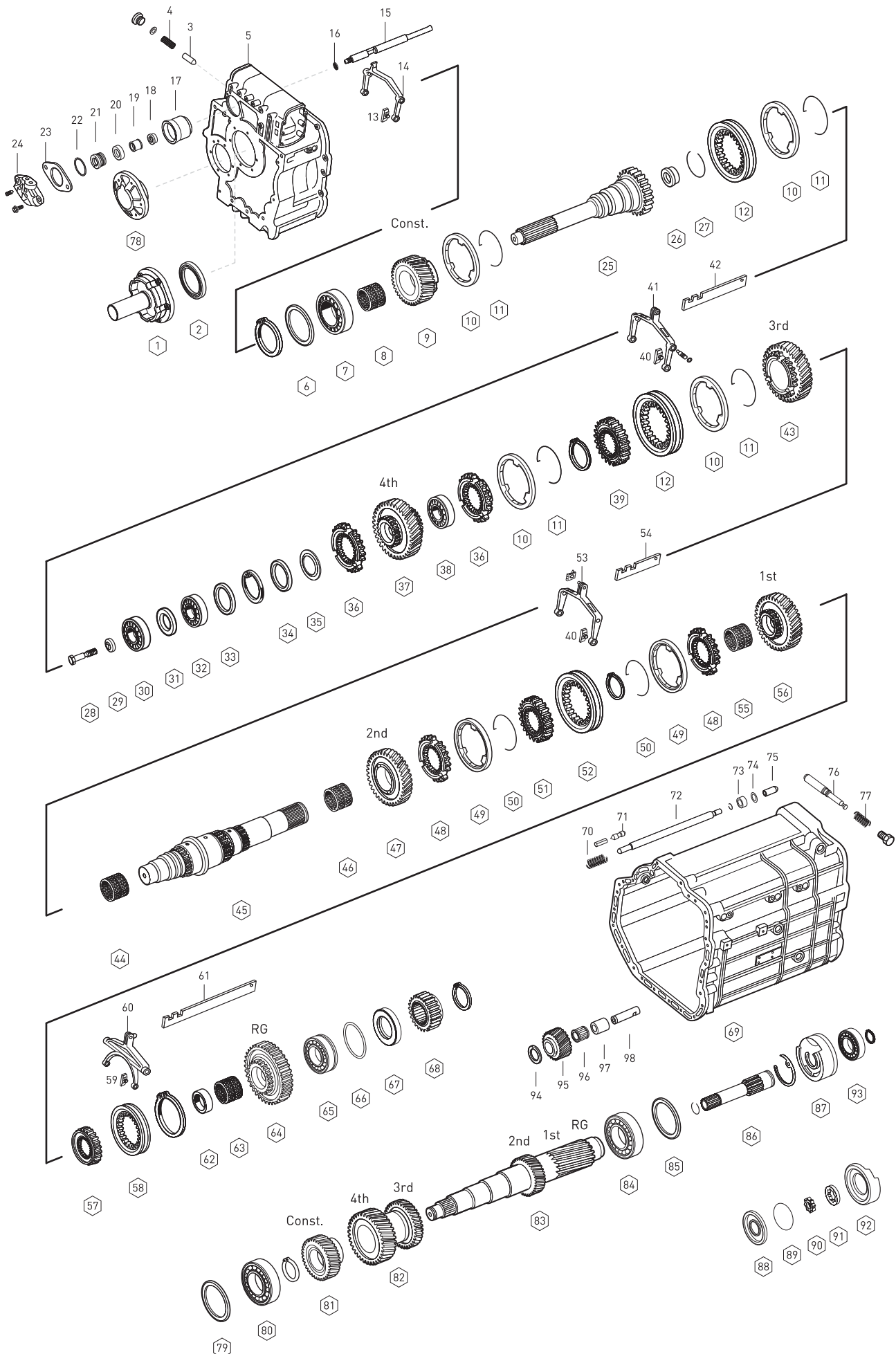


Fig. K	Oem No	Oem Old No	Pcs.	Description	Sizes	Notes	[X1]-G125-16/14.0	[X2]-G125-16/14.0	[X3]-G125-16/14.0	[X4]-G125-16/14.0
31	389 262 0754		1	THRUST WASHER	2.60mm		◆	◆	◆	◆
31	389 262 0954		1	THRUST WASHER	2.70mm		◆	◆	◆	◆
31	389 262 1154		1	THRUST WASHER	2.80mm		◆	◆	◆	◆
31	389 262 1354		1	THRUST WASHER	2.90mm		◆	◆	◆	◆
31	389 262 1554		1	THRUST WASHER	3.00mm		◆	◆	◆	◆
31	389 262 1754		1	THRUST WASHER	3.10mm		◆	◆	◆	◆
31	389 262 6554		1	THRUST WASHER	6.00mm		◆	◆	◆	◆
32	010 981 2405		1	ROLLER BEARING	45X90X26mm		◆	◆	◆	◆
33	000988 070 001		1	FITTED WASHER		(10)	◆	◆	◆	◆
33	389 262 0551		1	THRUST WASHER	3.20mm	(10)	◆	◆	◆	◆
34	2104157		1	THRUST WASHER	1.60mm		◆	◆	◆	◆
34	389 262 0851		1	THRUST WASHER	1.80mm		◆	◆	◆	◆
34	389 262 1851		1	THRUST WASHER	1.85mm		◆	◆	◆	◆
34	389 262 0951		1	THRUST WASHER	1.90mm		◆	◆	◆	◆
34	389 262 1951		1	THRUST WASHER	1.95mm		◆	◆	◆	◆
34	389 262 1051		1	THRUST WASHER	2.00mm		◆	◆	◆	◆
34	389 262 2051		1	THRUST WASHER	2.05mm		◆	◆	◆	◆
34	389 262 1151		1	THRUST WASHER	2.10mm		◆	◆	◆	◆
34	389 262 2151		1	THRUST WASHER	2.15mm		◆	◆	◆	◆
34	389 262 1251		1	THRUST WASHER	2.20mm		◆	◆	◆	◆
34	389 262 2751		1	THRUST WASHER	5.40mm		◆	◆	◆	◆
34	389 262 2951		1	THRUST WASHER	5.50mm		◆	◆	◆	◆
34	389 262 3151		1	THRUST WASHER	5.60mm		◆	◆	◆	◆
34	389 262 3351		1	THRUST WASHER	5.70mm		◆	◆	◆	◆
34	389 262 3551		1	THRUST WASHER	5.80mm		◆	◆	◆	◆
34	389 262 3751		1	THRUST WASHER	5.90mm		◆	◆	◆	◆
34	389 262 3951		1	THRUST WASHER	6.00mm		◆	◆	◆	◆
34	389 262 4151		1	THRUST WASHER	6.10mm		◆	◆	◆	◆
34	389 262 4351		1	THRUST WASHER	6.20mm		◆	◆	◆	◆
34	389 262 4551		1	THRUST WASHER	6.30mm		◆	◆	◆	◆
34	389 262 4751		1	THRUST WASHER	6.40mm		◆	◆	◆	◆
34	389 262 4951		1	THRUST WASHER	6.50mm		◆	◆	◆	◆
34	389 262 5151		1	THRUST WASHER	6.60mm		◆	◆	◆	◆
35	389 262 1854		1	THRUST WASHER			◆	◆	◆	◆
36	389 262 5634	(389 262 3934)	2	ENGAGING RING			◆	◆	◆	◆
37	389 262 5410	(389 262 1510)	1	GEAR 4th			◆	◆	◆	◆
38	010 981 7705		1	ROLLER BEARING	55X90X23mm		◆	◆	◆	◆
39	389 262 0635		1	GUIDE SLEEVE			◆	◆	◆	◆
40	389 265 2349	(389 265 1149)	4	SLIDING PAD			◆	◆	◆	◆
41	389 260 3730	(389 260 2730)	1	SHIFTING FORK			◆	◆	◆	◆
		(389 260 0230)								

NOTES :

- [X1] : for gearboxes numbered label nos 714720-714730 EPS
- [X2] : for gearboxes numbered label nos 714721-714732 MPS
- [X3] : for gearbox numbered label no 714724 MPS
- [X4] : for gearboxes numbered label nos 714731-714733 NA 4/120-1 C/Z
- [10] to gearbox number of 088147

# GEARBOX G125-16

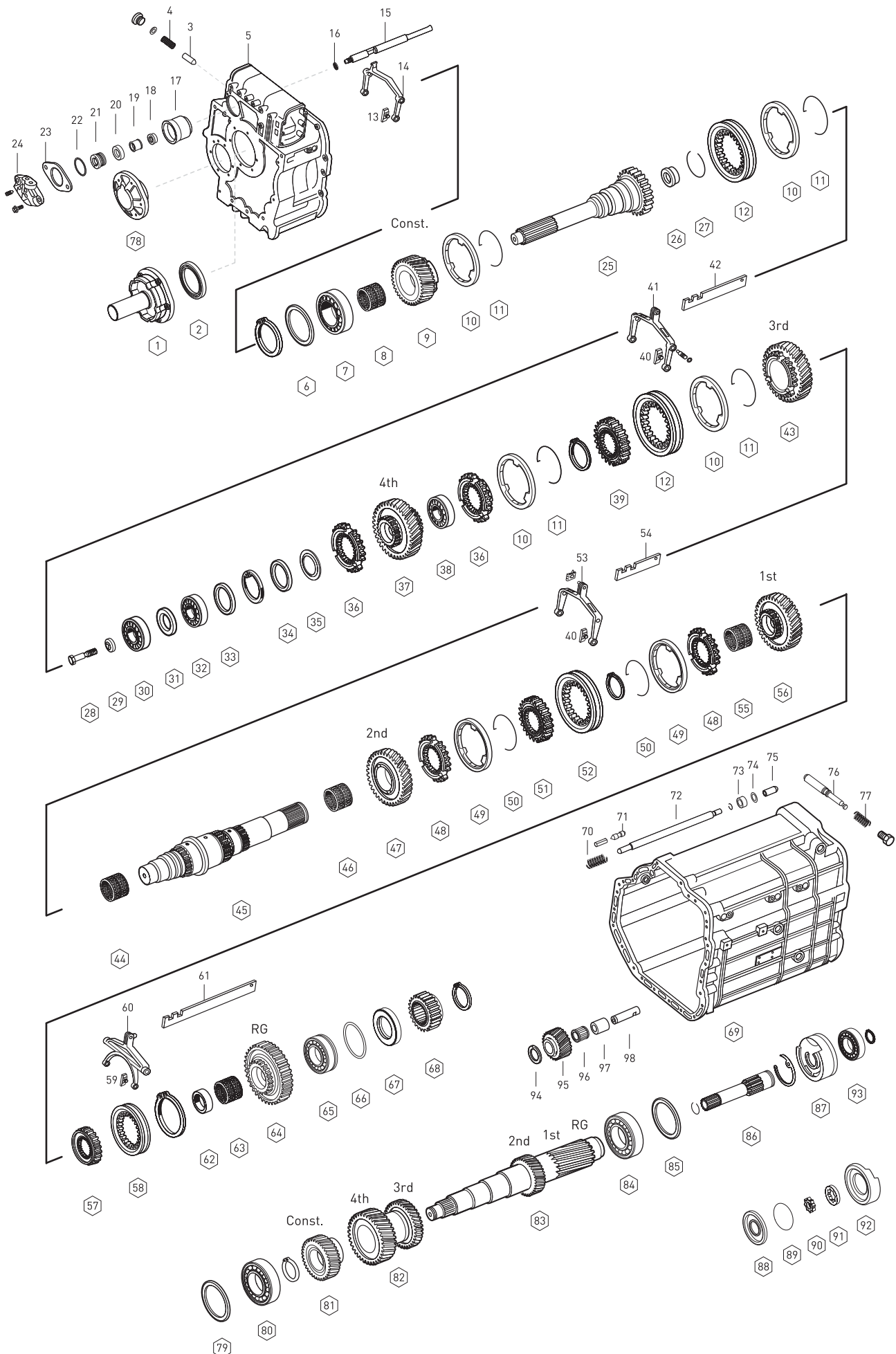




Fig.	Oem No	Oem Old No	Pcs.	Description	Sizes	Notes	[X1]-G125-16/14.0	[X2]-G125-16/14.0	[X3]-G125-16/14.0	[X4]-G125-16/14.0
42	389 265 6104		1	SHIFTING ROD			◆	◆	◆	◆
43	389 262 0713		1	GEAR 3rd			◆	◆	◆	◆
44	014 981 5210	(014 981 3910)	1	NEEDLE CAGE	85X93X43mm		◆	◆	◆	◆
45	389 262 1105		1	MAIN SHAFT [-R- teeth]		(8)	◆	◆	◆	◆
45	389 262 1605		1	MAIN SHAFT [-L- teeth]		(6)(9)	◆	◆	◆	◆
45	389 262 2005		1	MAIN SHAFT [-R- teeth]		(7)	◆	◆	◆	◆
46	018 981 6610		1	NEEDLE CAGE	85X93X53mm		◆	◆	◆	◆
47	389 262 1112		1	GEAR 2nd			◆	◆	◆	◆
48	945 262 0434	(389 262 0034)	2	ENGAGING RING			◆	◆	◆	◆
49	389 262 0737		2	SYNCHRONIZING CONE	196.0mm		◆	◆	◆	◆
50	387 262 0893		2	SPRING	167.0mm		◆	◆	◆	◆
51	389 262 0035		1	GUIDE SLEEVE			◆	◆	◆	◆
52	389 262 2923	(389 262 0723)	1	ENGAGING SLEEVE		(11)	◆	◆	◆	◆
52	387 262 0623		1	ENGAGING SLEEVE		(12)	◆	◆	◆	◆
53	389 260 4430	(389 260 0130)	1	SHIFTING FORK			◆	◆	◆	◆
54	389 265 6204		1	SHIFTING ROD			◆	◆	◆	◆
55	014 981 5310	(014 981 4310)	1	NEEDLE CAGE	75X83X45mm	(13)	◆	◆	◆	◆
55	013 981 1910	(013 981 2110)	1	NEEDLE CAGE		(14)	◆	◆	◆	◆
56	389 262 1411		1	GEAR 1st			◆	◆	◆	◆
57	389 262 0135		1	HUB			◆	◆	◆	◆
58	389 262 1723	(389 262 0023)	1	ENGAGING SLEEVE		(19)	◆	◆	◆	◆
58	389 262 1823	(389 262 0923)	1	ENGAGING SLEEVE		(20)	◆	◆	◆	◆
59	947 265 0249	(945 265 0149)	2	SLIDING PAD			◆	◆	◆	◆
60	389 260 4730	(389 260 1630)	1	SHIFTING FORK			◆	◆	◆	◆
61	389 265 3204		1	SHIFTING ROD			◆	◆	◆	◆
62	389 262 0150		1	BEARING RACE		(6)	◆	◆	◆	◆
62	389 262 1250		1	BEARING RACE		(7)	◆	◆	◆	◆
63	013 981 2610	(013 981 1810)	1	NEEDLE CAGE	79X85X33mm		◆	◆	◆	◆
64	389 262 1633		1	REVERSE GEAR			◆	◆	◆	◆
65	008 981 8005		1	ROLLER BEARING	60X130X28mm		◆	◆	◆	◆
66	389 262 3552		1	SHIM	0.10mm		◆	◆	◆	◆
66	389 262 3752		1	SHIM	0.20mm		◆	◆	◆	◆
66	389 262 3852		1	SHIM	0.40mm		◆	◆	◆	◆
67	389 262 6352		1	THRUST WASHER			◆	◆	◆	◆
68	389 262 0109		1	SUN GEAR 25 T	(OLD)	(15)	◆	◆	◆	◆
68	389 262 0309		1	SUN GEAR 25 T	(NEW)	(16)	◆	◆	◆	◆
69	389 261 1803		1	HOUSING		(17)	◆	◆	◆	◆
69	389 261 3403	(389 261 3103)	1	HOUSING		(18)	◆	◆	◆	◆
69	389 261 2803		1	HOUSING		(2)	◆	◆	◆	◆
69	389 261 9626	(389 261 7103)	1	HOUSING		(3)	◆	◆	◆	◆
70	389 993 0501		1	SPRING		(19)	◆	◆	◆	◆

NOTES :

- [X1] : for gearboxes numbered label nos 714720-714730 EPS  
[X2] : for gearboxes numbered label nos 714721-714732 MPS  
[X3] : for gearbox numbered label no 714724 MPS  
[X4] : for gearboxes numbered label nos 714731-714733 NA 4/120-1 C/Z
- (2) to gearbox number of 380570 (13) from gearbox number of 073830  
(3) from gearbox number of 380571 (14) to gearbox number of 073829  
(6) to gearbox number of 300439 (15) to gearbox number of 176366  
(7) from gearbox number of 300440 (16) from gearbox number of 176367  
(8) to gearbox number of 136222 (17) to gearbox number of 116086  
(9) from gearbox number of 136223 (18) to gearbox number of 207373  
(11) from gearbox number of 058289 (19) MPS gearbox  
(12) to gearbox number of 058288 (20) EPS gearbox

# GEARBOX G125-16

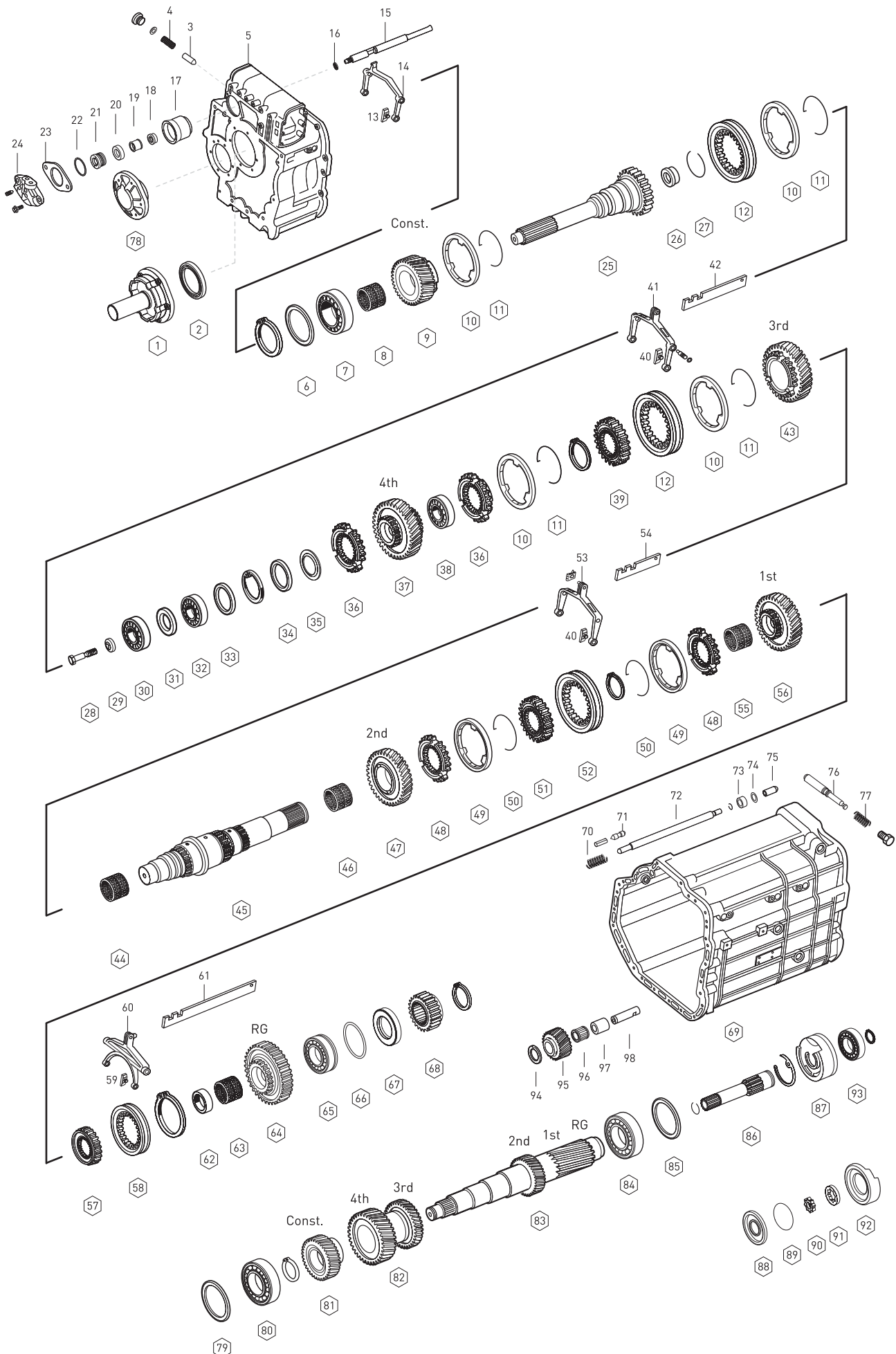
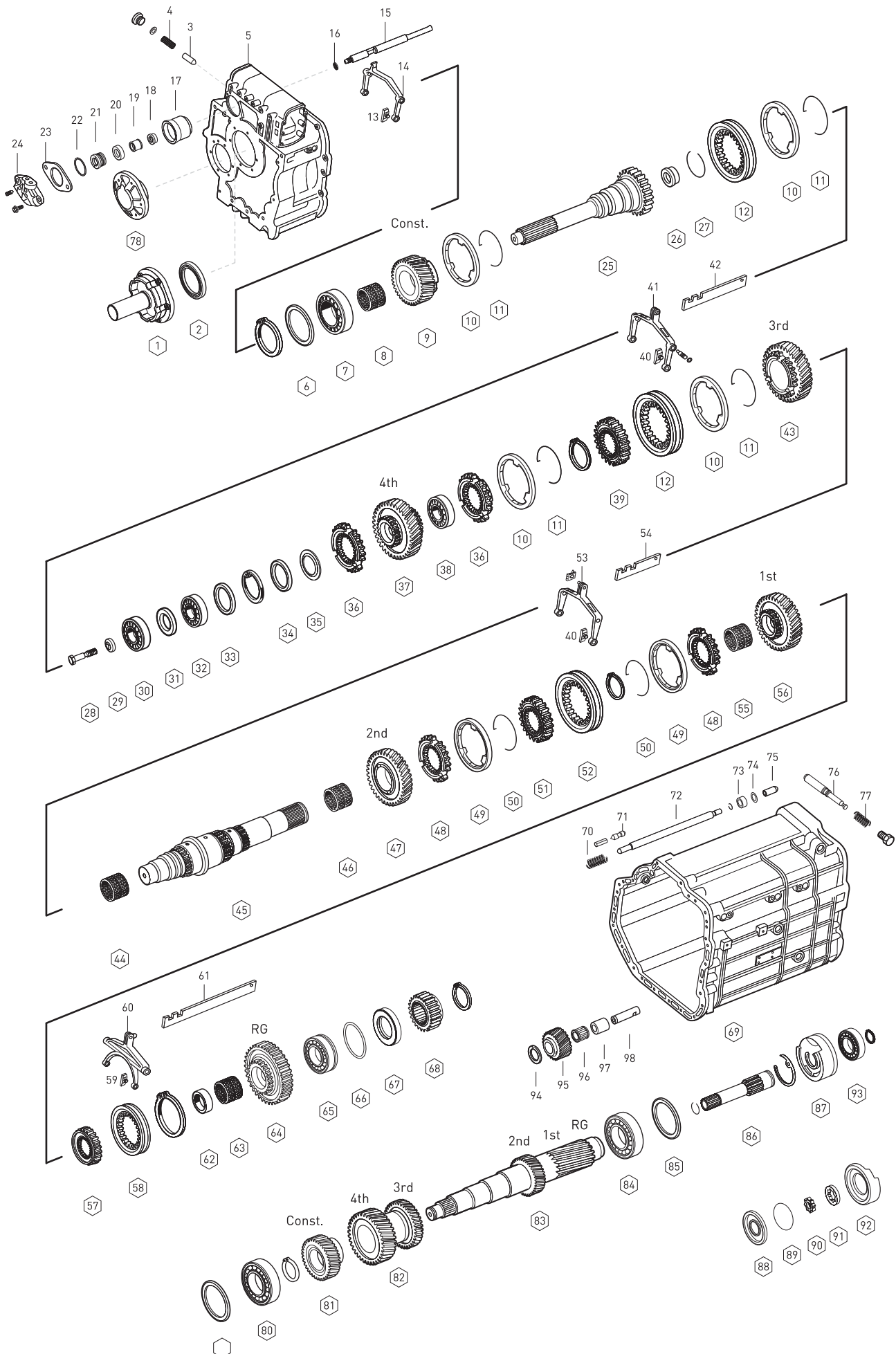


Fig.	Oem No	Oem Old No	Pcs.	Description	Sizes	Notes	[X1]-G125-16/14.0	[X2]-G125-16/14.0	[X3]-G125-16/14.0	[X4]-G125-16/14.0
71	389 267 0474		1	PIN		(19)		◆	◆	◆
72	389 268 7725		1	SHIFTING ROD		(19)		◆	◆	◆
73	389 268 0051		1	SPACER RING		(19)		◆	◆	◆
74	000988 006 019		1	FITTED WASHER	0.10mm	(19)		◆	◆	◆
74	000988 006 020		1	FITTED WASHER	0.20mm	(19)		◆	◆	◆
74	000988 006 021		1	FITTED WASHER	0.30mm	(19)		◆	◆	◆
74	000988 006 013		1	FITTED WASHER	0.50mm	(19)		◆	◆	◆
74	000988 006 001		1	FITTED WASHER	1.00mm	(19)		◆	◆	◆
75	389 268 0674		1	PIN		(19)		◆	◆	◆
76	389 267 0974		1	PIN		(19)		◆	◆	◆
76	945 267 0274	(389 267 0274)	1	PIN		(20)	◆			
77	389 993 0601		1	SPRING		(19)		◆	◆	◆
77	389 993 3401		1	SPRING		(20)	◆			
78	389 261 1933		1	COVER			◆	◆	◆	◆
79	406 337 0252		1	SHIM	0.10mm	(4)	◆	◆	◆	◆
79	406 337 0352		1	SHIM	0.20mm	(4)	◆	◆	◆	◆
79	389 263 3252		1	SHIM	0.40mm	(4)	◆	◆	◆	◆
79	389 263 3352		1	SHIM	0.45mm	(4)	◆	◆	◆	◆
79	389 263 3852		1	SHIM	0.70mm	(4)	◆	◆	◆	◆
79	389 263 3952		1	SHIM	0.75mm	(4)	◆	◆	◆	◆
79	389 263 5352		1	SHIM	0.40mm	(5)	◆	◆	◆	◆
79	389 263 5852		1	SHIM	0.55mm	(5)	◆	◆	◆	◆
79	389 263 6352		1	SHIM	0.70mm	(5)	◆	◆	◆	◆
79	389 263 6852		1	SHIM	0.85mm	(5)	◆	◆	◆	◆
79	389 263 7352		1	SHIM	1.00mm	(5)	◆	◆	◆	◆
79	389 263 7852		1	SHIM	1.15mm	(5)	◆	◆	◆	◆
79	389 263 8352		1	SHIM	1.30mm	(5)	◆	◆	◆	◆
80	010 981 6305	(010 981 5905)	1	ROLLER BEARING	45X100X27.5mm		◆	◆	◆	◆
81	389 263 0510		1	CONST.GEAR 27 T			◆	◆	◆	◆
82	389 263 1513	(389 263 0813)	1	DOUBLE GEAR 3rd/4th			◆	◆	◆	◆
83	389 263 0102		1	COUNTER SHAFT		(14)	◆	◆	◆	◆
83	389 263 0702		1	COUNTER SHAFT		(13)	◆	◆	◆	◆
84	010 981 5205		1	ROLLER BEARING	55X110X29.5mm		◆	◆	◆	◆
85	385 283 3152		1	SHIM	0.10mm		◆	◆	◆	◆
85	389 283 0052		1	SHIM	0.15mm		◆	◆	◆	◆
85	389 263 1952		1	SHIM	0.60mm		◆	◆	◆	◆
85	389 263 2052		1	SHIM	0.65mm		◆	◆	◆	◆
85	389 263 2352		1	SHIM	0.80mm		◆	◆	◆	◆
85	389 263 2752		1	SHIM	1.00mm		◆	◆	◆	◆
86	389 269 0210		1	OIL PUMP SHAFT		(21)	◆	◆	◆	
86	947 264 0005	(389 269 1210)	1	OIL PUMP SHAFT		(22)	◆	◆	◆	◆

NOTES :

- [X1] : for gearboxes numbered label nos 714720-714730 EPS
- [X2] : for gearboxes numbered label nos 714721-714732 MPS
- [X3] : for gearbox numbered label no 714724 MPS
- [X4] : for gearboxes numbered label nos 714731-714733 NA 4/120-1 C/Z
- (4) to gearbox number of 375914
- (5) from gearbox number of 375915
- (13) from gearbox number of 073830
- (14) to gearbox number of 073829
- (19) MPS gearbox
- (20) EPS gearbox
- (21) to gearbox number of 122273
- (22) from gearbox number of 122274

# GEARBOX G125-16





# GEARBOX G125-16

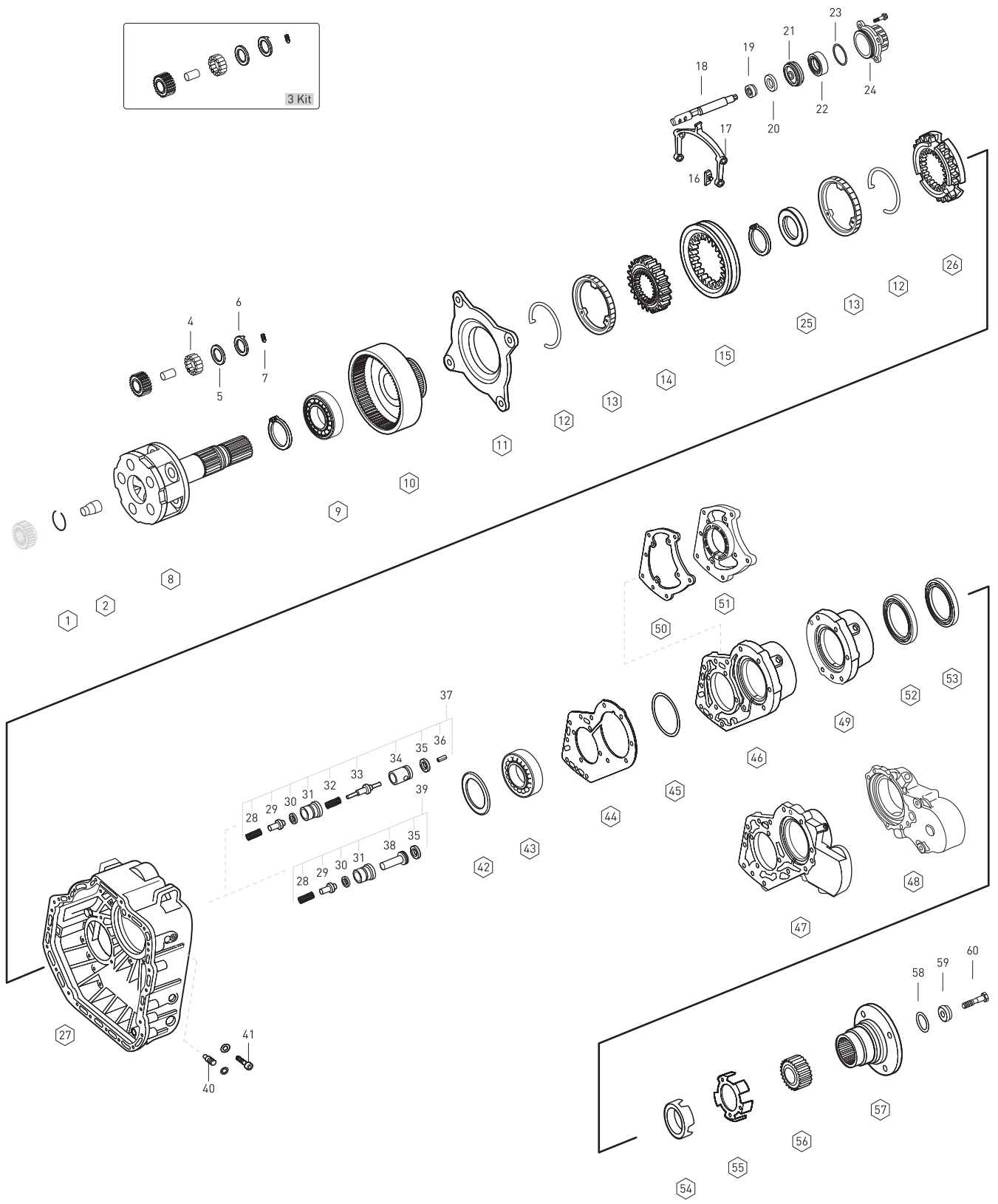


Fig.	Oem No	Oem Old No	Pcs	Description	Sizes	Notes	[X1]-G125-16/14.0	[X2]-G125-16/14.0	[X3]-G125-16/14.0	[X4]-G125-16/14.0
1	007993 040 200		1	SNAP RING	(NEW)	(1)	◆	◆	◆	◆
1	007993 060 200		1	SNAP RING	(OLD)	(2)	◆	◆	◆	◆
2	389 269 0134		1	OIL TUBE	(NEW)	(1)	◆	◆	◆	◆
2	389 269 0334		1	OIL TUBE	(OLD)	(2)	◆	◆	◆	◆
3	389 260 0397		5	PLANETARY GEAR SET	(NEW)	(3)	◆	◆	◆	◆
3	389 260 0197		5	PLANETARY GEAR SET	(OLD)	(4)	◆	◆	◆	◆
4	001 981 3287		125	NEEDLE ROLLER	5X28.8mm		◆	◆	◆	◆
5	389 262 0162		10	THRUST WASHER			◆	◆	◆	◆
6	389 262 0262		10	THRUST WASHER			◆	◆	◆	◆
7	000914 006 109		5	THREADED PIN	6X14mm		◆	◆	◆	◆
8	389 260 7861	(389 260 2761)	1	PLANETARY CARRIER	(NEW)	(1)	◆	◆	◆	◆
8	389 260 0761		1	PLANETARY CARRIER	(OLD)	(2)	◆	◆	◆	◆
9	008 981 1325		1	ROLLER BEARING	90X130X14mm		◆	◆	◆	◆
10	389 262 0308		1	ANNULUS 80 T			◆	◆	◆	◆
11	389 260 2036		1	FOLLOWER RING	(NEW)	(5)	◆	◆	◆	◆
11	389 260 0936		1	FOLLOWER RING	(OLD)	(6)	◆	◆	◆	◆
12	389 262 0293		2	SPRING			◆	◆	◆	◆
13	389 262 0537		2	SYNCHRONIZING CONE			◆	◆	◆	◆
14	389 262 4935	(389 262 2035)	1	GUIDE SLEEVE	(NEW)	(5)	◆	◆	◆	◆
14	389 262 0535		1	GUIDE SLEEVE	(OLD)	(6)	◆	◆	◆	◆
15	945 262 6623	(945 262 2623)	1	ENGAGING SLEEVE	(NEW)	(5)	◆	◆	◆	◆
		(945 262 0823)								
		(389 262 3823)								
		(389 262 3623)								
		(389 262 1623)								
15	389 262 1523	(389 262 0123)	1	ENGAGING SLEEVE	(OLD)	(6)	◆	◆	◆	◆
16	389 265 2449		2	SLIDING PAD	(NEW)	(5)	◆	◆	◆	◆
16	389 265 1249	(389 265 0949)	2	SLIDING PAD	(OLD)	(6)	◆	◆	◆	◆
17	947 265 1701	(947 265 1901)	1	SHIFTING FORK			◆	◆	◆	◆
		(930 265 0001)								
		(389 265 0901)								
		(389 265 0201)								
18	389 267 3517		1	SHIFTING ROD			◆		◆	
18	389 267 7317	(389 267 4017)	1	SHIFTING ROD		(7)		◆		◆
18	389 267 3217		1	SHIFTING ROD		(8)		◆		◆
19	000 267 0197	(000 267 0397)	1	FLANGE PACKING			◆	◆	◆	◆
20	387 267 0650		1	BUSHING			◆	◆	◆	◆
21	389 267 1018	(389 267 0118)	1	U PISTON			◆	◆	◆	◆
22	024 997 8347	(020 997 6747)	1	SEAL RING			◆	◆	◆	◆
		(014 997 3647)								
		(014 997 5147)								

**NOTES :**

- [X1] : for gearbox numbered label no 714720 EPS
- [X2] : for gearboxes numbered label nos 714721-714724 MPS, 714733 NA 4/120-1 C
- [X3] : for gearbox numbered label no 714730 EPS
- [X4] : for gearboxes numbered label nos 714731 NA 4/120-1 C/Z, 714732 MPS
- (1) from gearbox number of 183905
- (2) to gearbox number of 183904
- (3) from gearbox number of 176367
- (4) to gearbox number of 176366
- (5) from gearbox number of 201818
- (6) to gearbox number of 201817
- (7) from gearbox number of 070419
- (8) to gearbox number of 070418

# GEARBOX G125-16

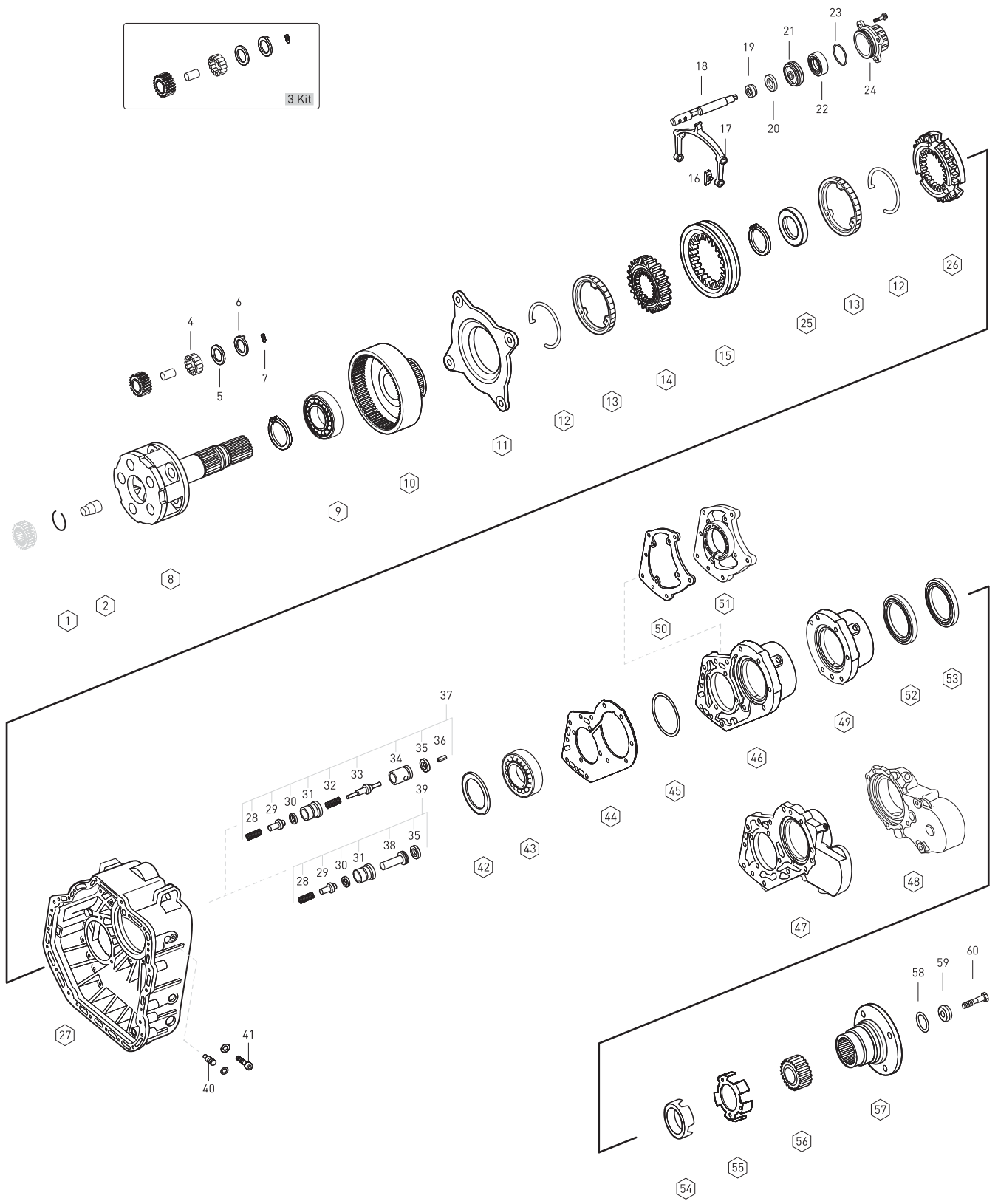




Fig.	Oem No	Oem Old No	Pcs	Description	Sizes	Notes	[X1]-G125-16/14.0	[X2]-G125-16/14.0	[X3]-G125-16/14.0	[X4]-G125-16/14.0
23	013 997 7548		1	O-RING			◆	◆	◆	◆
24	945 267 1119	(389 267 2919)	1	SHIFTING CYLINDER			◆	◆	◆	◆
		(389 267 1319)								
		(389 267 1419)								
		(389 267 4219)								
25	389 262 0251		1	SPACER RING			◆	◆	◆	◆
26	389 262 9134		1	ENGAGING RING		[9]	◆	◆	◆	◆
26	389 262 4034		1	ENGAGING RING		[5][11]	◆	◆	◆	◆
26	389 262 2334	(389 262 1934)	1	ENGAGING RING		[20][6]	◆	◆	◆	◆
26	389 262 0934		1	ENGAGING RING		[10]	◆	◆	◆	◆
27	389 261 5126	(389 261 4926)	1	HOUSING		[9]	◆	◆	◆	◆
27	389 261 4703	(389 261 4603)	1	HOUSING		[11]	◆	◆	◆	◆
		(389 261 2703)								
		(389 261 1203)								
27	389 261 2126	(389 261 2226)	1	HOUSING			◆	◆	◆	◆
		(389 261 2326)								
		(389 261 2426)								
		(389 261 7803)								
		(389 261 7903)								
28	389 993 5301		1	SPRING		[12]	◆	◆	◆	◆
28	389 993 4301		1	SPRING		[13]	◆	◆	◆	◆
28	389 993 1701		1	SPRING		[14]	◆	◆	◆	◆
29	389 269 1026	(389 269 0926)	1	SELECTOR VALVE		[12]	◆	◆	◆	◆
29	389 269 0026		1	SELECTOR VALVE		[13]	◆	◆	◆	◆
29	005401 311 000		1	BALL		[14]	◆	◆	◆	◆
30	013 997 0148		1	O-RING	13.3X2.4mm		◆	◆	◆	◆
30	015 997 6048		1	O-RING	23.3X2.4mm		◆	◆	◆	◆
31	389 269 1444	(389 269 0744)	1	VALVE INSERT		[15]	◆	◆	◆	◆
		(389 269 0144)								
31	389 265 2074		1	VALVE INSERT		[14]	◆	◆	◆	◆
32	389 993 4401		1	SPRING	11.5X41.9X1.0mm	[16]	◆	◆	◆	◆
33	389 269 0826		1	SELECTOR VALVE		[16]	◆	◆	◆	◆
34	389 269 0844		1	BALL		[16]	◆	◆	◆	◆
35	013 997 0048		1	O-RING	19.2X3.0mm		◆	◆	◆	◆
36	001481 004 001		1	CLAMPING SLEEVE		[16]	◆	◆	◆	◆
37	655 260 0257		1	VALVE KIT			◆	◆	◆	◆
37	655 260 0157		1	VALVE KIT	(PTO)		◆	◆	◆	◆
38	389 265 0176	(389 265 0076)	1	WASHER		[17]	◆	◆	◆	◆
39	655 260 0057		1	VALVE KIT			◆	◆	◆	◆
40	389 265 0974		2	PIN		[18]	◆	◆	◆	◆
40	945 265 1474	(945 265 1774)	2	PIN		[19]	◆	◆	◆	◆

NOTES :

- [X1] : for gearbox numbered label no 714720 EPS  
[X2] : for gearboxes numbered label nos 714721-714724 MPS, 714733 NA 4/120-1 C  
[X3] : for gearbox numbered label no 714730 EPS  
[X4] : for gearboxes numbered label nos 714731 NA 4/120-1 C/Z, 714732 MPS  
[5] from gearbox number of 201818 [14] to gearbox number of 114731  
[6] to gearbox number of 201817 [15] from gearbox number of 114732  
[9] from gearbox number of 380571 [16] from gearbox number of 253531  
[10] to gearbox number of 070883 [17] to gearbox number of 253530  
[11] to gearbox number of 380570 [18] to gearbox number of 490748  
[12] from gearbox number of 216383 [19] from gearbox number of 490749  
[13] to gearbox number of 216382 [20] from gearbox number of 070884

# GEARBOX G125-16

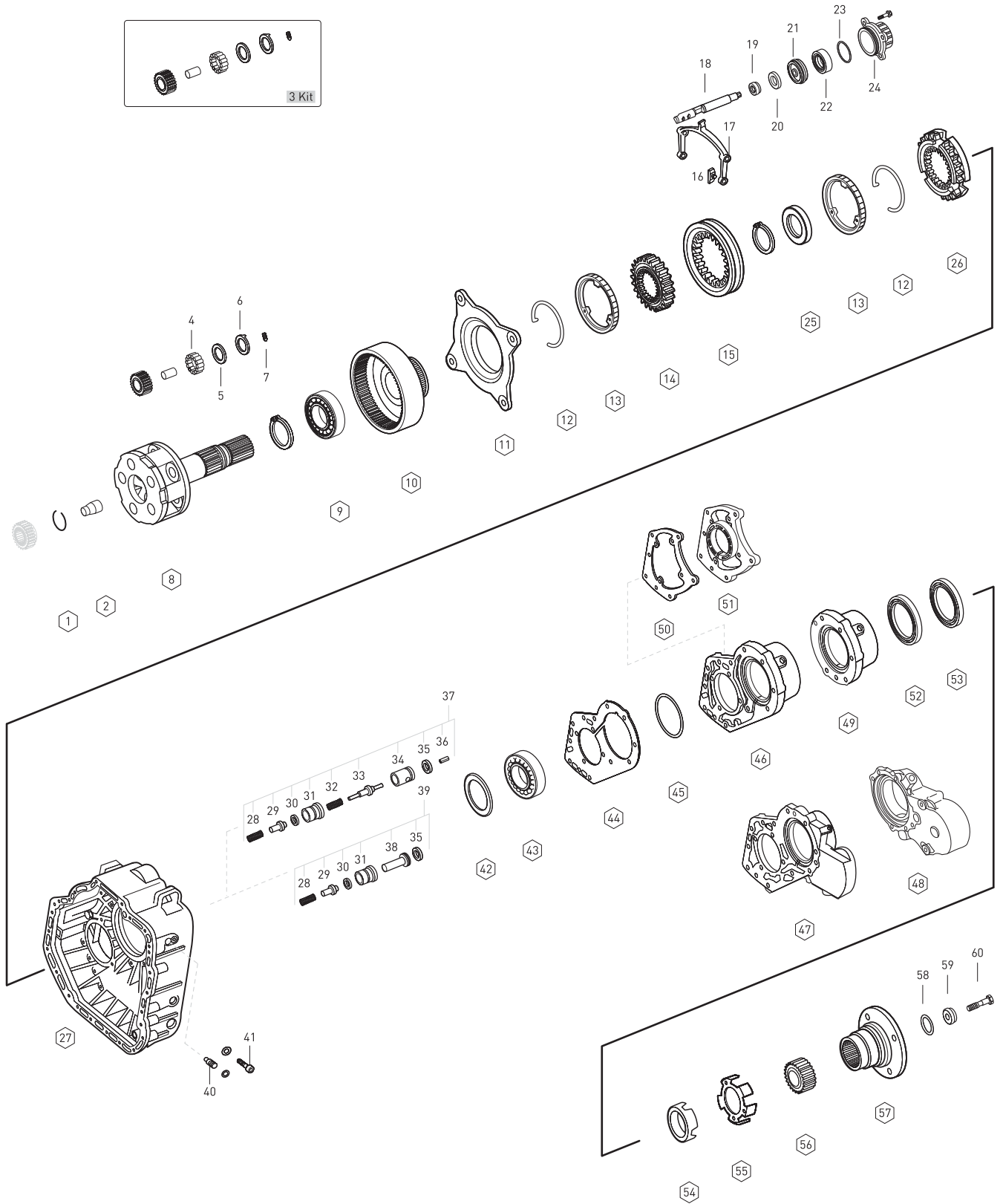


Fig.	Oem No	Oem Old No	Pcs.	Description	Sizes	Notes	[X1]-G125-16/14.0	[X2]-G125-16/14.0	[X3]-G125-16/14.0	[X4]-G125-16/14.0
40	945 265 1474	(389 265 2874)	2	PIN		(19)	◆	◆	◆	◆
41	007984 008 013		2	SCREW		(18)	◆	◆	◆	◆
42	389 262 3954		1	THRUST WASHER	3.50mm	(20)	◆	◆	◆	◆
42	389 262 5252		1	THRUST WASHER		(10)	◆	◆	◆	◆
43	004 981 8525		1	ROLLER BEARING			◆	◆	◆	◆
43	004 981 8925		1	ROLLER BEARING			◆	◆	◆	◆
43	004 981 9325		1	ROLLER BEARING			◆	◆	◆	◆
44	389 261 1180		1	GASKET		(21)	◆	◆	◆	◆
45	389 262 7754		1	THRUST WASHER	1.40mm		◆	◆	◆	◆
45	389 262 5152		1	THRUST WASHER	0.80mm		◆	◆	◆	◆
45	389 262 5052		1	THRUST WASHER	0.40mm		◆	◆	◆	◆
45	389 262 7654		1	THRUST WASHER	0.25mm		◆	◆	◆	◆
45	389 262 4952		1	THRUST WASHER	0.20mm		◆	◆	◆	◆
45	389 262 4852		1	THRUST WASHER	0.15mm		◆	◆	◆	◆
45	389 262 4752		1	THRUST WASHER	0.10mm		◆	◆	◆	◆
46	389 261 0320	(389 261 0220)	1	COVER		(21)	◆	◆		
47	655 260 0016	(387 261 2820)	1	COVER		(23)			◆	◆
48	389 261 1120		1	COVER		(24)			◆	◆
49	389 261 1920	(389 261 0520)	1	COVER		(22)	◆	◆		
		(389 261 0420)								
50	945 261 0080	(389 261 1980)	1	GASKET	(PTO)	(22)	◆	◆	◆	◆
		(389 261 1480)								
		(389 261 0780)								
50	389 261 1280		1	GASKET	(PTO)	(21)	◆	◆	◆	◆
51	945 261 1033		1	COVER	(PTO)	(22)	◆	◆	◆	◆
51	389 261 2433	(389 261 1033)	1	COVER	(PTO)		◆	◆	◆	◆
		(389 261 2333)								
		(389 261 0933)								
51	389 261 0433	(389 261 0233)	1	COVER	(PTO)	(21)	◆	◆	◆	◆
52	013 997 5547		1	OIL SEAL			◆	◆	◆	◆
52	013 997 7247		1	OIL SEAL			◆	◆	◆	◆
52	014 997 1947		1	OIL SEAL			◆	◆	◆	◆
53	015 997 4247		1	OIL SEAL			◆	◆	◆	◆
53	013 997 7347		1	OIL SEAL			◆	◆	◆	◆
53	013 997 5647		1	OIL SEAL			◆	◆	◆	◆
54	945 262 0528	(389 260 0150)	1	PULSE STAR			◆	◆		
55	387 262 0828	(387 262 0428)	1	PULSE STAR					◆	◆
56	389 264 0021		1	GEAR					◆	◆
57	389 262 0445		1	COMPANION FLANGE 4-H,Ø180mm			◆	◆	◆	◆
58	014 997 5148		1	O-RING			◆	◆	◆	◆
59	945 262 0062	(389 262 0362)	1	THRUST WASHER			◆	◆	◆	◆
60	945 990 0019	(389 990 2019)	1	SCREW	Ø24X80mm		◆	◆	◆	◆
		(389 990 0219)								

NOTES :

- [X1] : for gearbox numbered label no 714720 EPS  
[X2] : for gearboxes numbered label nos 714721-714724 MPS, 714733 NA 4/120-1 C  
[X3] : for gearbox numbered label no 714730 EPS  
[X4] : for gearboxes numbered label nos 714731 NA 4/120-1 C/Z, 714732 MPS  
(10) to gearbox number of 070883 (21) to gearbox number of 206784  
(18) to gearbox number of 490748 (22) from gearbox number of 206785  
(19) from gearbox number of 490749 (23) to gearbox number of 323551  
(20) from gearbox number of 070884 (24) from gearbox number of 323552

# GEARBOX G125-16

SYNCHRONIZER KIT CONST.

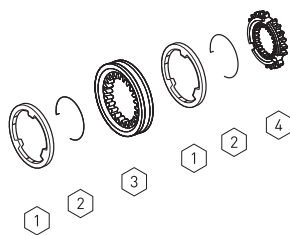


Fig.	Kacmaz No.	Oem No	Oem Old No	Pcs.	Description
	<b>K21.06190</b>	<b>2106190</b>		Kit	T SYNCHRONIZER KIT Const
1	<b>K21.03015</b>	<b>389 262 0637</b>		2	SYNCHRONIZING CONE
2	<b>K21.03044</b>	<b>387 262 1093</b>		2	SPRING
3	<b>K21.03011</b>	<b>389 262 3023</b>	<b>(389 262 2223)</b>	1	ENGAGING SLEEVE
			<b>(389 262 0623)</b>		
4	<b>K21.03012</b>	<b>389 262 5634</b>	<b>(389 262 3934)</b>	1	ENGAGING RING

SYNCHRONIZER KIT 3rd/4th

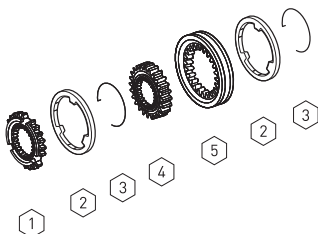


Fig.	Kacmaz No.	Oem No	Oem Old No	Pcs.	Description
	<b>K21.06191</b>	<b>2106191</b>		Kit	SYNCH.KIT 3rd/4th
1	<b>K21.03012</b>	<b>389 262 5634</b>	<b>(389 262 3934)</b>	1	ENGAGING RING
2	<b>K21.03015</b>	<b>389 262 0637</b>		2	SYNCHRONIZING CONE
3	<b>K21.03044</b>	<b>387 262 1093</b>		2	SPRING
4	<b>K21.03399</b>	<b>389 262 0635</b>		1	GUIDE SLEEVE
5	<b>K21.03011</b>	<b>389 262 3023</b>	<b>(389 262 2223)</b>	1	ENGAGING SLEEVE
			<b>(389 262 0623)</b>		

SYNCHRONIZER KIT 1st/2nd

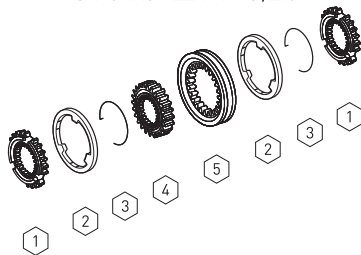


Fig.	Kacmaz No.	Oem No	Oem Old No	Pcs.	Description
	<b>K21.06192</b>	<b>2106192</b>		Kit	SYNCH.KIT 1st/2nd
1	<b>K21.03025</b>	<b>945 262 0434</b>	<b>(389 262 0034)</b>	2	C ENGAGING RING
2	<b>K21.03016</b>	<b>389 262 0737</b>		2	SYNCHRONIZING CONE
3	<b>K21.03055</b>	<b>387 262 0893</b>		2	SPRING
4	<b>K21.03056</b>	<b>389 262 0035</b>		1	GUIDE SLEEVE
5	<b>K21.03010</b>	<b>389 262 2923</b>	<b>(389 262 0723)</b>	1	ENGAGING SLEEVE

SYNCHRONIZER KIT PLANETARY  
NEW MODEL

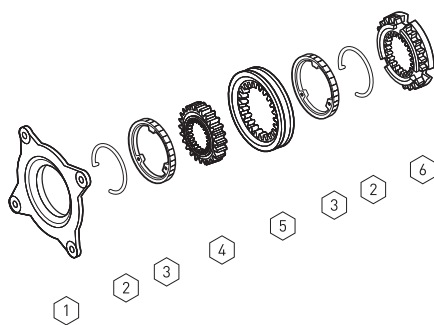


Fig.	Kacmaz No.	Oem No	Oem Old No	Pcs	Description
	<b>K21.06193</b>	<b>2106193</b>		Kit	SYNCH.KIT PLANETARY
1	<b>K21.03018</b>	<b>389 260 2036</b>		1	FOLLOWER RING
2	<b>K21.03077</b>	<b>389 262 0293</b>		2	SPRING
3	<b>K21.03017</b>	<b>389 262 0537</b>		2	SYNCHRONIZING CONE
4	<b>K21.03079</b>	<b>389 262 4935</b>	<b>(389 262 2035)</b>	1	GUIDE SLEEVE
5	<b>K21.03028</b>	<b>945 262 6623</b>	<b>(945 262 2623)</b>	1	ENGAGING SLEEVE
			<b>(945 262 0823)</b>		
			<b>(389 262 3823)</b>		
			<b>(389 262 3623)</b>		
			<b>(389 262 1623)</b>		
6	<b>K21.03022</b>	<b>389 262 9134</b>		1	ENGAGING RING

SYNCHRONIZER KIT PLANETARY  
NEW MODEL

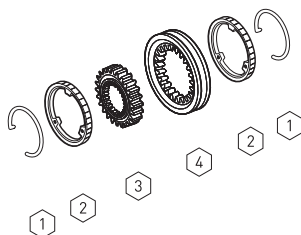


Fig.	Kacmaz No.	Oem No	Oem Old No	Pcs.	Description
	<b>K21.06194</b>	<b>2106194</b>		Kit	SYNCH.KIT PLANETARY
1	<b>K21.03077</b>	<b>389 262 0293</b>		2	SPRING
2	<b>K21.03017</b>	<b>389 262 0537</b>		2	SYNCHRONIZING CONE
3	<b>K21.03079</b>	<b>389 262 4935</b>	<b>(389 262 2035)</b>	1	GUIDE SLEEVE
4	<b>K21.03028</b>	<b>945 262 6623</b>	<b>(945 262 2623)</b>	1	A ENGAGING SLEEVE
			<b>(945 262 0823)</b>		
			<b>(389 262 3823)</b>		
			<b>(389 262 3623)</b>		
			<b>(389 262 1623)</b>		

Fig.	o. Oem No	Oem Old No	Pcs	Description
	<b>2106195</b>		Kit	SYNCH.KIT PLANETARY
1	<b>389 260 2036</b>		1	FOLLOWER RING
2	<b>389 262 0293</b>		2	SPRING
3	<b>389 262 0537</b>		2	SYNCHRONIZING CONE
4	<b>389 262 4935</b>	<b>(389 262 2035)</b>	1	GUIDE SLEEVE
5	<b>945 262 6623</b>	<b>(945 262 2623)</b>	1	ENGAGING SLEEVE
		<b>(945 262 0823)</b>		
		<b>(389 262 3823)</b>		
		<b>(389 262 3623)</b>		
		<b>(389 262 1623)</b>		
6	<b>389 262 4034</b>		1	ENGAGING RING

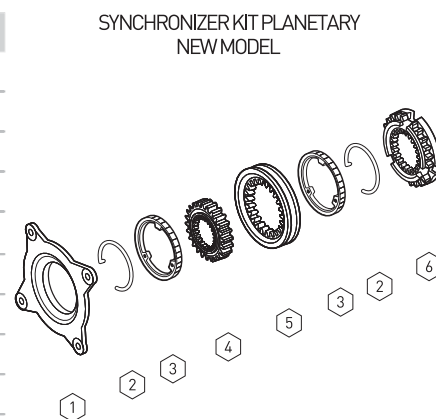


Fig.	o. Oem No	Oem Old No	Pcs.	Description
	<b>2106196</b>		Kit	SYNCH.KIT PLANETARY
1	<b>389 262 0293</b>		2	SPRING
2	<b>389 262 0537</b>		2	SYNCHRONIZING CONE
3	<b>389 262 0535</b>		1	GUIDE SLEEVE
4	<b>389 262 1523</b>	<b>(389 262 0123)</b>	1	ENGAGING SLEEVE

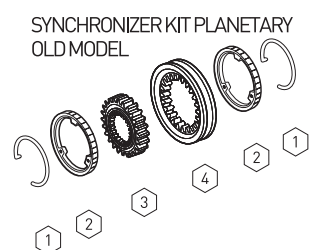


Fig.	o. Oem No	Oem Old No	Pcs.	Description
	<b>2106197</b>		Kit	SYNCH.KIT PLANETARY
1	<b>389 260 0936</b>		1	FOLLOWER RING
2	<b>389 262 0293</b>		2	SPRING
3	<b>389 262 0537</b>		2	SYNCHRONIZING CONE
4	<b>389 262 0535</b>		1	GUIDE SLEEVE
5	<b>389 262 1523</b>	<b>(389 262 0123)</b>	1	ENGAGING SLEEVE
6	<b>389 262 2334</b>	<b>(389 262 1934)</b>	1	ENGAGING RING

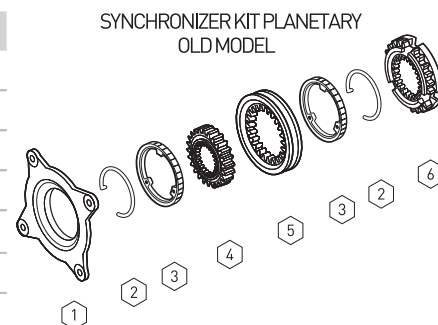
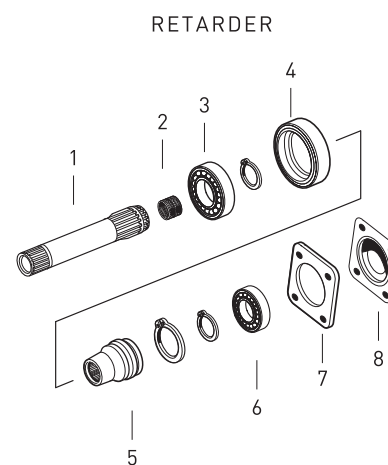


Fig.	o. Oem No	Oem Old No	Pcs.	Description
1	<b>945 264 0305</b>		1	INTERM.SHAFT
1	<b>389 264 0505</b>		1	INTERM.SHAFT
1	<b>K21.03493 389 264 0205</b>	<b>(387 264 0405)</b>	1	INTERM.SHAFT
2	<b>013 981 0610</b>		1	NEEDLE CAGE
3	<b>008 981 3225</b>		1	ROLLER BEARING
4	<b>945 264 0687</b>	<b>(389 264 0587)</b>	1	RING
5	<b>389 264 0223</b>		1	SLIDING COLLAR
6	<b>006 981 2525</b>		1	ROLLER BEARING
7	<b>389 264 0780</b>		1	GASKET
8	<b>945 264 0611</b>		1	COVER
8	<b>389 264 0311</b>		1	COVER



# GEARBOX G135-16

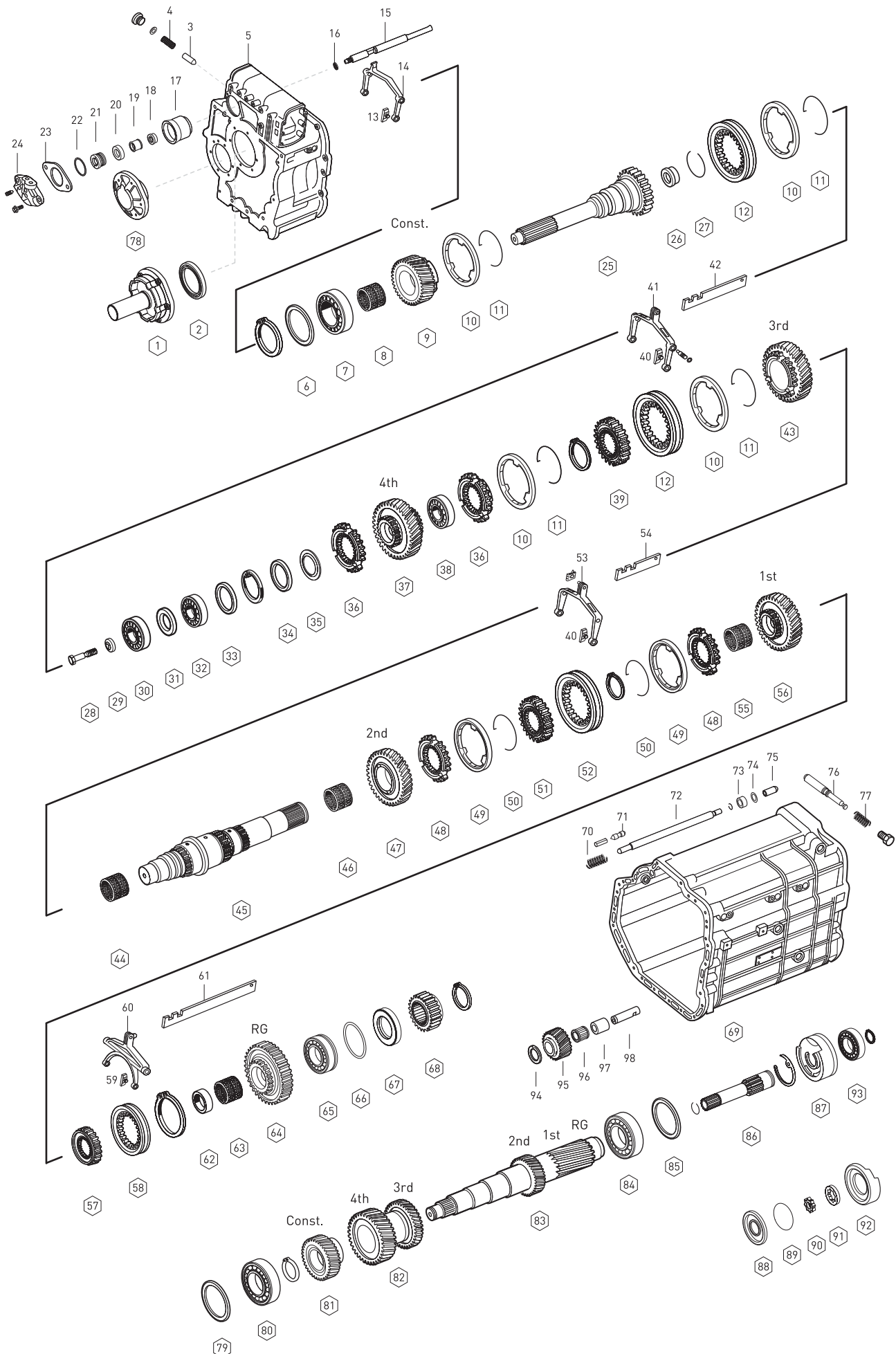


Fig.	Oem No	Oem Old No	Pcs	Description	Sizes	Notes	[X1]-G135-16/11.9	[X2]-G135-16/11.9
1	389 261 3318		1	COVER			◆	◆
2	015 997 1647	(015 997 0647)	1	OIL SEAL			◆	◆
2	024 997 2147		1	OIL SEAL			◆	◆
3	389 267 1174	(387 267 0034)	1	PIN			◆	◆
4	387 993 4401		1	SPRING	9.8X63.3mm		◆	◆
4	387 993 4501		1	SPRING	6.2X63.0mm		◆	◆
5	389 261 1802		1	HOUSING		(1)	◆	◆
5	389 261 6302	(389 261 2902)	1	HOUSING		(2)	◆	◆
5	389 261 6402	(389 261 4602)	1	HOUSING		(2)	◆	◆
5	389 261 9402		1	HOUSING		(3)	◆	◆
5	389 261 0108		1	HOUSING		(3)	◆	◆
6	389 262 4152		1	SHIM	0.10mm	(4)	◆	◆
6	389 262 4452		1	SHIM	0.40mm	(4)	◆	◆
6	389 262 1954		1	SHIM	0.45mm	(4)	◆	◆
6	389 262 2054		1	SHIM	0.50mm	(4)	◆	◆
6	389 262 2154		1	SHIM	0.55mm	(4)	◆	◆
6	389 262 2254		1	SHIM	0.60mm	(4)	◆	◆
6	389 262 2354		1	SHIM	0.65mm	(4)	◆	◆
6	389 262 2454		1	SHIM	0.70mm	(4)	◆	◆
6	389 262 2554		1	SHIM	0.75mm	(4)	◆	◆
6	389 262 2654		1	SPACER WASHER	2.00mm	(4)	◆	◆
6	389 262 7755		1	SPACER WASHER	4.84mm	(5)	◆	◆
6	389 262 7955		1	SPACER WASHER	4.90mm	(5)	◆	◆
6	389 262 8255		1	SPACER WASHER	4.99mm	(5)	◆	◆
6	389 262 8455		1	SPACER WASHER	5.05mm	(5)	◆	◆
6	389 262 8655		1	SPACER WASHER	5.11mm	(5)	◆	◆
6	389 262 9055		1	SPACER WASHER	5.23mm	(5)	◆	◆
7	009 981 6205	(009 981 0605)	1	ROLLER BEARING	62X72X29.7mm		◆	◆
8	014 981 4110	(013 981 6410)	1	NEEDLE CAGE	82X90X35mm	(6)	◆	◆
		(013 981 6210)						
8	016 981 0210	(016 981 6710)	1	NEEDLE CAGE	82X90X30mm	(7)	◆	◆
9	389 262 1410		1	CONSTANT GEAR 26 T			◆	◆
10	389 262 0637		4	SYNCHRONIZING CONE			◆	◆
11	387 262 1093		4	SPRING			◆	◆
12	389 262 3023	(389 262 2223)	2	ENGAGING SLEEVE			◆	◆
		(389 262 0623)						
13	389 265 1249	(389 265 0949)	2	SLIDING PAD			◆	◆
14	389 265 0601		1	GEAR SHIT FORK			◆	◆
15	389 267 3017		1	G.SHIFT RAIL			◆	◆
15	389 267 2217		1	G.SHIFT RAIL			◆	◆
16	387 263 2652		1	SPACER WASHER	0.20mm		◆	◆

NOTES :

- [X1] : for gearbox numbered label no 714722 EPS
- [X2] : for gearbox numbered label no 714723 MPS
- (1) to gearbox number of 087774
- (2) to gearbox number of 380570
- (3) from gearbox number of 380571
- (4) to gearbox number of 375914
- (5) from gearbox number of 375915
- (6) to gearbox number of 300439
- (7) from gearbox number of 300440

# GEARBOX G135-16

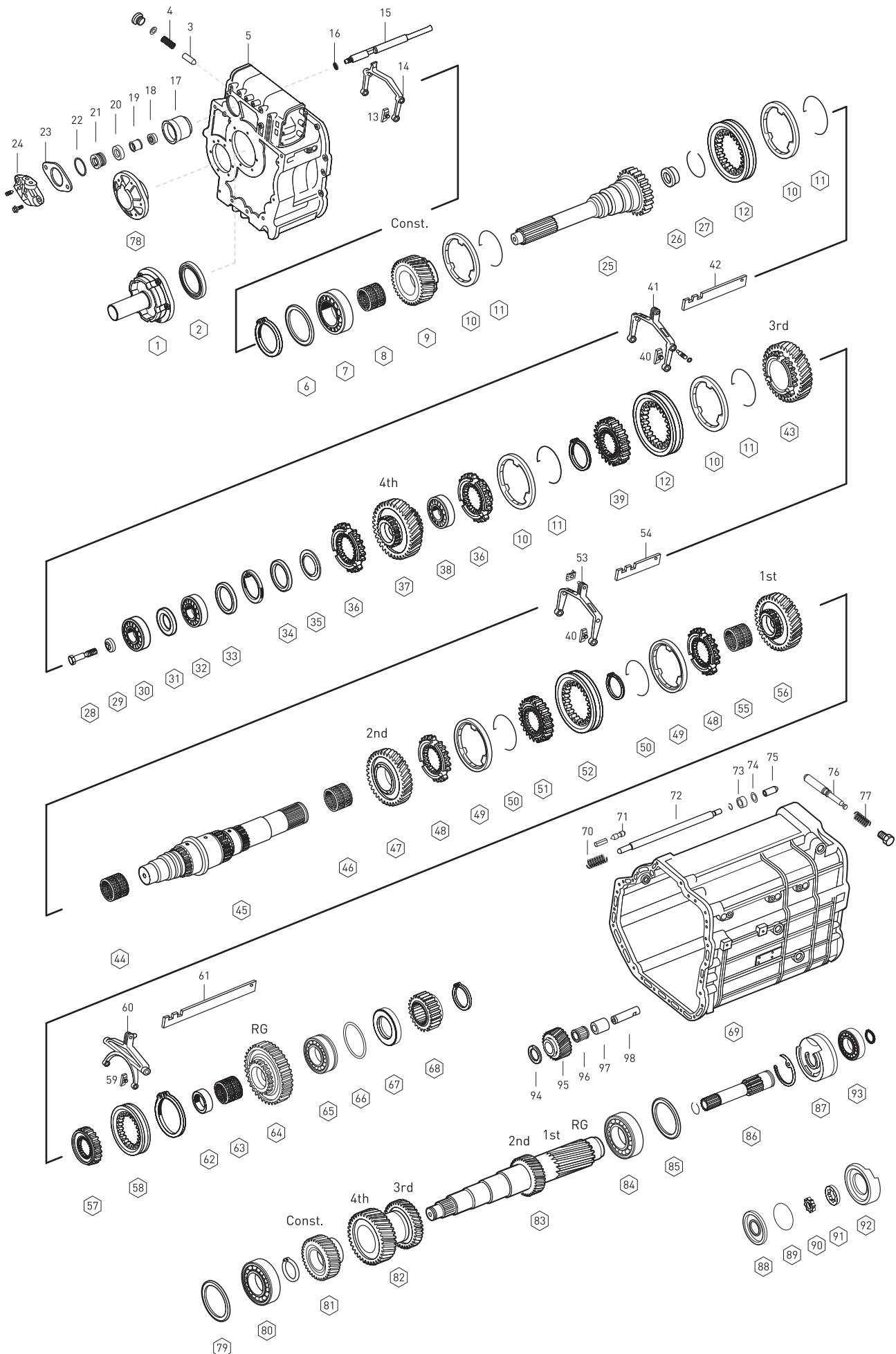




Fig.	Oem No	Oem Old No	Pcs.	Description	Sizes	Notes	[X1]-G135-16/11.9	[X2]-G135-16/11.9
16	387 263 2752		1	SPACER WASHER	0.40mm		◆	◆
16	387 263 2852		1	SPACER WASHER	0.60mm		◆	◆
16	387 263 3052		1	SPACER WASHER	1.00mm		◆	◆
17	389 267 3319	(389 267 2119)	1	CYLINDER			◆	◆
		(389 267 2219)						
		(389 267 0419)						
18	000 267 0197	(000 267 0397)	1	FLANGE PACKING			◆	◆
19	387 267 0650		1	BUSHING			◆	◆
20	012 997 3347	(006 997 6447)	1	DOUBLE PACKING			◆	◆
21	945 267 0218	(387 267 0918)	1	PISTON			◆	◆
		(387 267 0618)						
22	007 997 4248		1	O-RING			◆	◆
23	387 263 3352		1	SPACER WASHER	0.20mm		◆	◆
23	387 263 3452		1	SPACER WASHER	0.40mm		◆	◆
23	387 263 3552		1	SPACER WASHER	0.60mm		◆	◆
23	387 263 3752		1	SPACER WASHER	1.00mm		◆	◆
24	389 267 2819	(389 267 2719)	1	COVER			◆	◆
		(389 267 2419)						
		(389 267 2319)						
		(389 267 1519)						
25	389 262 2001		1	INPUT SHAFT		(6)	◆	◆
25	389 262 4201		1	INPUT SHAFT		(7)	◆	◆
26	018 997 8447		1	OIL SEAL			◆	◆
27	389 262 0973		1	LOCK RING			◆	◆
28	389 990 0819		1	SCREW (Bolts -R- teeth)		(8)	◆	◆
28	389 990 1819		1	SCREW (Bolts -L- teeth)		(9)	◆	◆
29	389 262 0862		1	WASHER			◆	◆
30	009 981 0705		1	ROLLER BEARING	32X72X31mm		◆	◆
30	017 981 3205		1	ROLLER BEARING	32X72X29,5mm		◆	◆
31	389 262 7252		1	THRUST WASHER	0.10mm		◆	◆
31	389 262 7152		1	THRUST WASHER	0.15mm		◆	◆
31	389 262 7052		1	THRUST WASHER	0.20mm		◆	◆
31	389 262 6952		1	THRUST WASHER	0.40mm		◆	◆
31	389 262 6852		1	THRUST WASHER	0.80mm		◆	◆
31	389 262 0154		1	THRUST WASHER	2.30mm		◆	◆
31	389 262 0354		1	THRUST WASHER	2.40mm		◆	◆
31	389 262 0554		1	THRUST WASHER	2.50mm		◆	◆
31	389 262 0754		1	THRUST WASHER	2.60mm		◆	◆
31	389 262 0954		1	THRUST WASHER	2.70mm		◆	◆
31	389 262 1154		1	THRUST WASHER	2.80mm		◆	◆
31	389 262 1354		1	THRUST WASHER	2.90mm		◆	◆

NOTES :

[X1] : for gearbox numbered label no 714722 EPS

[X2] : for gearbox numbered label no 714723 MPS

(6) to gearbox number of 300439

(7) from gearbox number of 300440

(8) to gearbox number of 136222

(9) from gearbox number of 136223

# GEARBOX G135-16

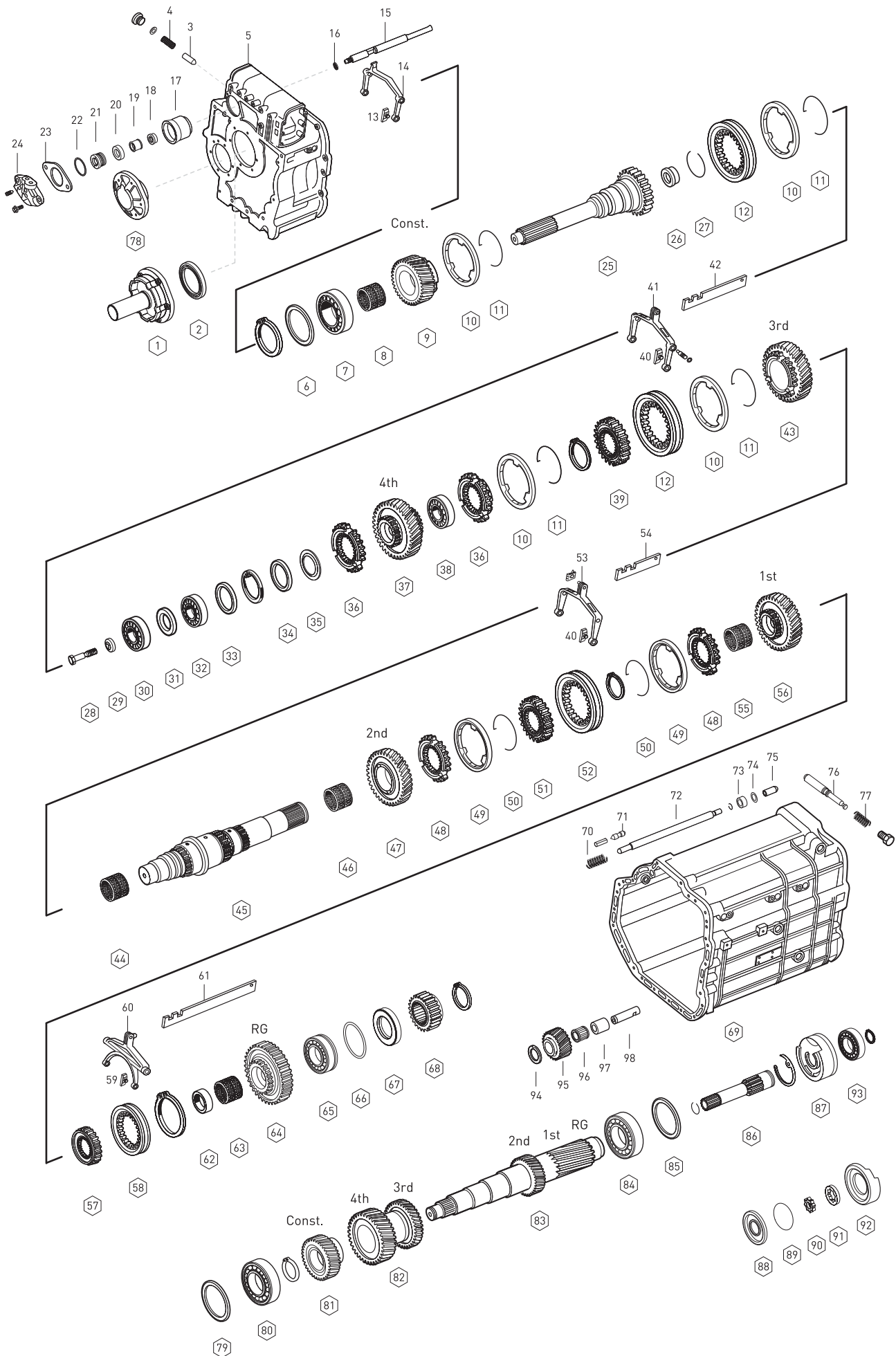


Fig.	Oem No	Oem Old No	Pcs	Description	Sizes	Notes	[X1]-G135-16/11.9	[X2]-G135-16/11.9
31	389 262 1554		1	THRUST WASHER	3.00mm		◆	◆
31	389 262 1754		1	THRUST WASHER	3.10mm		◆	◆
31	389 262 6554		1	THRUST WASHER	6.00mm		◆	◆
32	010 981 2405		1	ROLLER BEARING	45X90X26mm		◆	◆
33	000988 070 001		1	FITTED WASHER		(10)	◆	◆
33	389 262 0551		1	THRUST WASHER	3.20mm	(10)	◆	◆
34	2104157		1	THRUST WASHER	1.60mm		◆	◆
34	389 262 0851		1	THRUST WASHER	1.80mm		◆	◆
34	389 262 1851		1	THRUST WASHER	1.85mm		◆	◆
34	389 262 0951		1	THRUST WASHER	1.90mm		◆	◆
34	389 262 1951		1	THRUST WASHER	1.95mm		◆	◆
34	389 262 1051		1	THRUST WASHER	2.00mm		◆	◆
34	389 262 2051		1	THRUST WASHER	2.05mm		◆	◆
34	389 262 1151		1	THRUST WASHER	2.10mm		◆	◆
34	389 262 2151		1	THRUST WASHER	2.15mm		◆	◆
34	389 262 1251		1	THRUST WASHER	2.20mm		◆	◆
34	389 262 2751		1	THRUST WASHER	5.40mm		◆	◆
34	389 262 2951		1	THRUST WASHER	5.50mm		◆	◆
34	389 262 3151		1	THRUST WASHER	5.60mm		◆	◆
34	389 262 3351		1	THRUST WASHER	5.70mm		◆	◆
34	389 262 3551		1	THRUST WASHER	5.80mm		◆	◆
34	389 262 3751		1	THRUST WASHER	5.90mm		◆	◆
34	389 262 3951		1	THRUST WASHER	6.00mm		◆	◆
34	389 262 4151		1	THRUST WASHER	6.10mm		◆	◆
34	389 262 4351		1	THRUST WASHER	6.20mm		◆	◆
34	389 262 4551		1	THRUST WASHER	6.30mm		◆	◆
34	389 262 4751		1	THRUST WASHER	6.40mm		◆	◆
34	389 262 4951		1	THRUST WASHER	6.50mm		◆	◆
34	389 262 5151		1	THRUST WASHER	6.60mm		◆	◆
35	389 262 1854		1	THRUST WASHER			◆	◆
36	389 262 5634	(389 262 3934)	2	ENGAGING RING			◆	◆
37	389 262 5410	(389 262 1510)	1	GEAR 4th 24 T			◆	◆
38	010 981 7705		1	ROLLER BEARING	55X90X23mm		◆	◆
39	389 262 0635		1	GUIDE SLEEVE			◆	◆
40	389 265 2349	(389 265 1149)	4	SLIDING PAD			◆	◆
41	389 260 3730	(389 260 2730)	1	SHIFTING FORK			◆	◆
		(389 260 0230)						
42	389 265 6104		1	SHIFTING ROD			◆	◆
43	389 262 0713		1	GEAR 3rd 28 T			◆	◆
44	014 981 5210	(014 981 3910)	1	NEEDLE CAGE	85X93X43mm		◆	◆
45	389 262 1105		1	MAIN SHAFT [-R- teeth]		(8)	◆	◆

NOTES :

[X1] : for gearbox numbered label no 714722 EPS  
[X2] : for gearbox numbered label no 714723 MPS  
(8) to gearbox number of 136222  
(10) to gearbox number of 088147

# GEARBOX G135-16

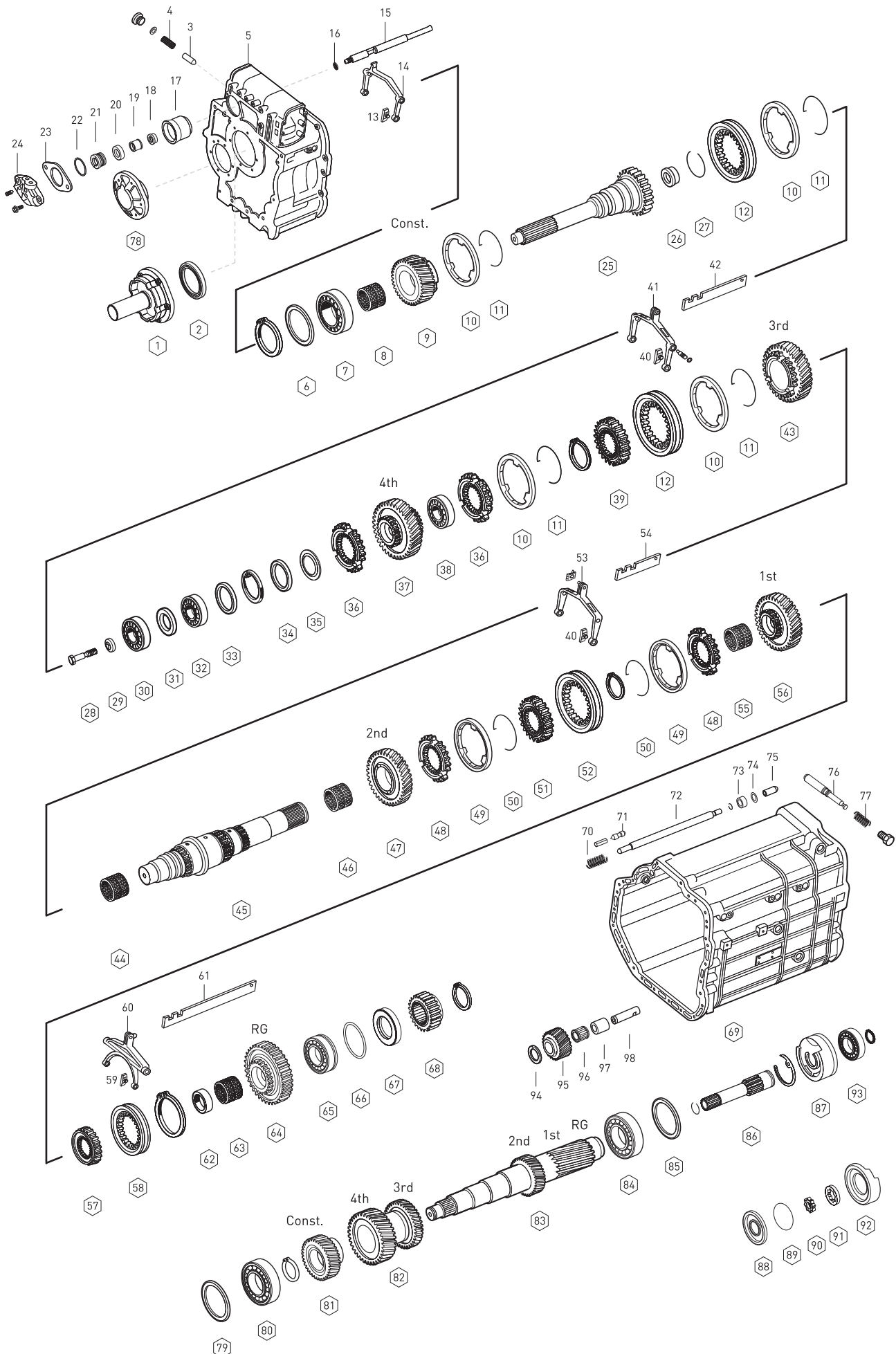


Fig.	Oem No	Oem Old No	Pcs	Description	Sizes	Notes	[X1]-G135-16/11.9	[X2]-G135-16/11.9
45	389 262 1605		1	MAIN SHAFT (-L- teeth)		(6)(9)	◆	◆
45	389 262 2005		1	MAIN SHAFT (-R- teeth)		(7)	◆	◆
46	018 981 6610		1	NEEDLE CAGE	85X93X53mm		◆	◆
47	389 262 1112		1	GEAR 2nd 32 T			◆	◆
48	945 262 0434	(389 262 0034)	2	ENGAGING RING			◆	◆
49	389 262 0737		2	SYNCHRONIZING CONE			◆	◆
50	387 262 0893		2	SPRING			◆	◆
51	389 262 0035		1	GUIDE SLEEVE			◆	◆
52	389 262 2923	(389 262 0723)	1	ENGAGING SLEEVE		(11)	◆	◆
52	387 262 0623		1	ENGAGING SLEEVE		(12)	◆	◆
53	389 260 4430	(389 260 0130)	1	SHIFTING FORK			◆	◆
54	389 265 6204		1	SHIFTING ROD			◆	◆
55	014 981 5310	(014 981 4310)	1	NEEDLE CAGE	75X83X45mm	(13)	◆	◆
55	013 981 1910	(013 981 2110)	1	NEEDLE CAGE		(14)	◆	◆
56	389 262 1411		1	GEAR 1st 38 T			◆	◆
57	389 262 0135		1	HUB			◆	◆
58	389 262 1723	(389 262 0023)	1	ENGAGING SLEEVE		(19)	◆	◆
58	389 262 1823	(389 262 0923)	1	ENGAGING SLEEVE		(20)	◆	◆
59	947 265 0249	(945 265 0149)	2	SLIDING PAD			◆	◆
60	389 260 4730	(389 260 1630)	1	SHIFTING FORK			◆	◆
61	389 265 3204		1	SHIFTING ROD			◆	◆
62	389 262 0150		1	BEARING RACE		(6)	◆	◆
62	389 262 1250		1	BEARING RACE		(7)	◆	◆
63	013 981 2610	(013 981 1810)	1	NEEDLE CAGE	79X85X33mm		◆	◆
64	389 262 1633		1	REVERSE GEAR 34 T			◆	◆
65	008 981 8005		1	ROLLER BEARING	60X130X28mm		◆	◆
66	389 262 3552		1	SHIM	0.10mm		◆	◆
66	389 262 3752		1	SHIM	0.20mm		◆	◆
66	389 262 3852		1	SHIM	0.40mm		◆	◆
67	389 262 6352		1	THRUST WASHER			◆	◆
68	389 262 0109		1	SUN GEAR 25 T	(OLD)	(15)	◆	◆
68	389 262 0309		1	SUN GEAR 25 T	(NEW)	(16)	◆	◆
69	389 261 1803		1	HOUSING		(17)	◆	◆
69	389 261 3403	(389 261 3103)	1	HOUSING		(18)	◆	◆
69	389 261 2803		1	HOUSING		(2)	◆	◆
69	389 261 9626	(389 261 7103)	1	HOUSING		(3)	◆	◆
70	389 993 0501		1	SPRING		(19)	◆	◆
71	389 267 0474		1	PIN		(19)	◆	◆
72	389 268 7725		1	SHIFTING ROD		(19)	◆	◆
73	389 268 0051		1	SPACER RING		(19)	◆	◆
74	000988 006 019		1	FITTED WASHER	0.10mm	(19)	◆	◆

**NOTES :**

- [X1] : for gearbox numbered label no 714722 EPS  
[X2] : for gearbox numbered label no 714723 MPS
- |                                    |                                    |
|------------------------------------|------------------------------------|
| (2) to gearbox number of 380570    | (13) from gearbox number of 073830 |
| (3) from gearbox number of 380571  | (14) to gearbox number of 073829   |
| (6) to gearbox number of 300439    | (15) to gearbox number of 176366   |
| (7) from gearbox number of 300440  | (16) from gearbox number of 176367 |
| (8) to gearbox number of 136222    | (17) to gearbox number of 116086   |
| (9) from gearbox number of 136223  | (18) to gearbox number of 207373   |
| (11) from gearbox number of 058289 | (19) MPS gearbox                   |
| (12) to gearbox number of 058288   | (20) EPS gearbox                   |

# GEARBOX G135-16

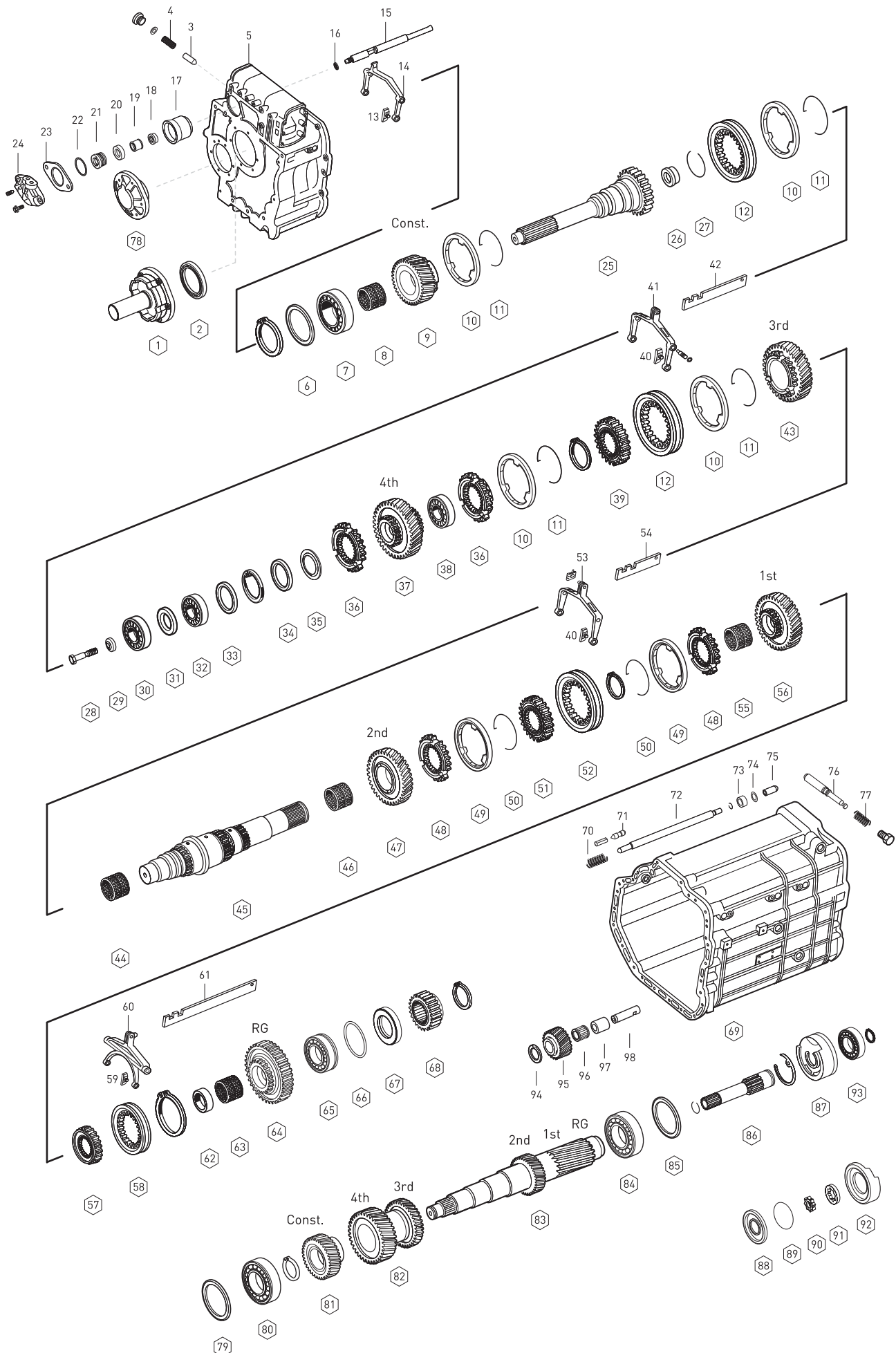
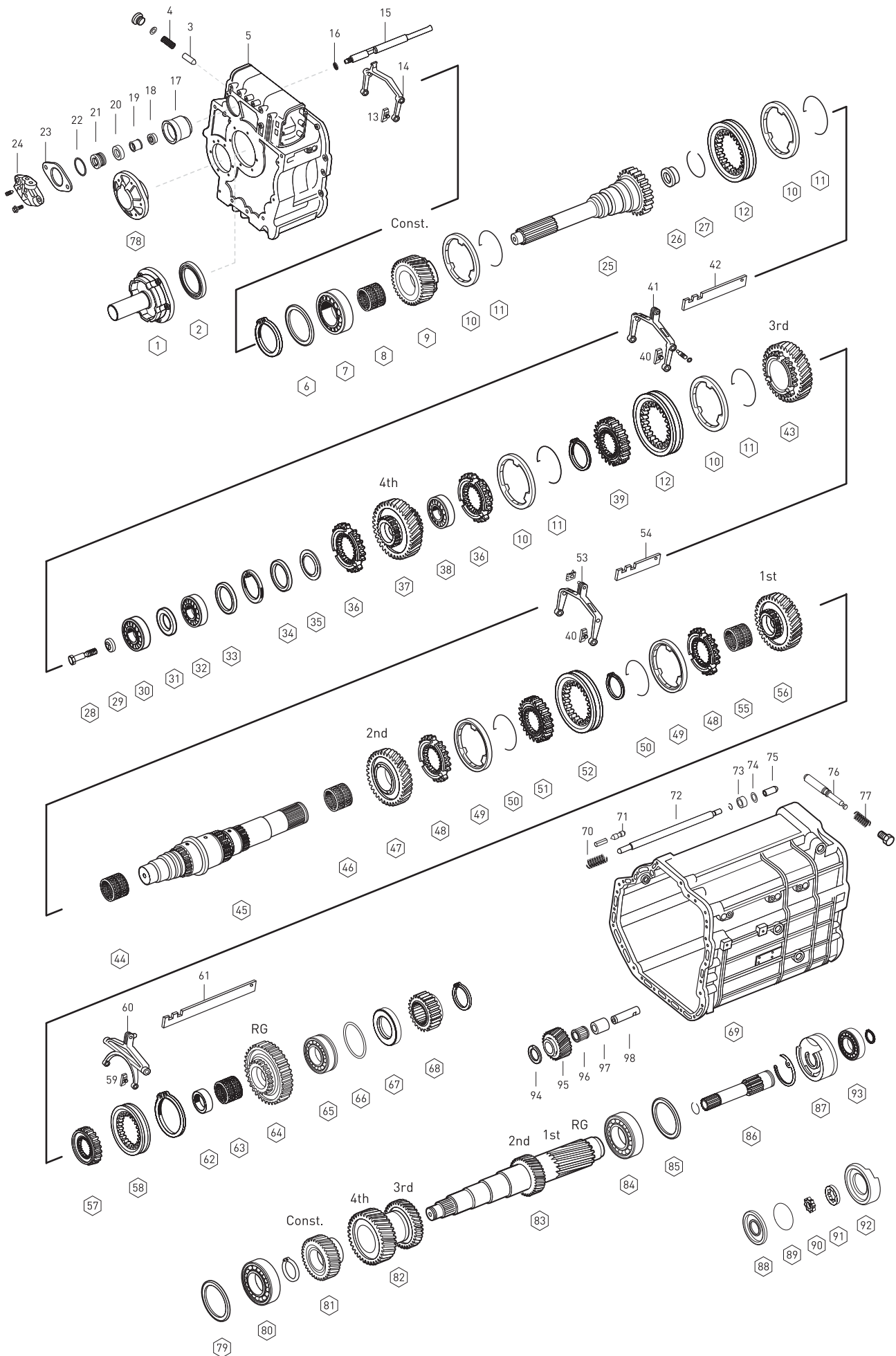


Fig.	Oem No	Oem Old No	Pcs	Description	Sizes	Notes	[X1]-G135-16/11.9	[X2]-G135-16/11.9
74	000988 006 020		1	FITTED WASHER	0.20mm	(19)	◆	
74	000988 006 021		1	FITTED WASHER	0.30mm	(19)	◆	
74	000988 006 013		1	FITTED WASHER	0.50mm	(19)	◆	
74	000988 006 001		1	FITTED WASHER	1.00mm	(19)	◆	
75	389 268 0674		1	PIN		(19)	◆	
76	389 267 0974		1	PIN		(19)	◆	
76	945 267 0274	(389 267 0274)	1	PIN		(20)	◆	
77	389 993 0601		1	SPRING		(19)	◆	
77	389 993 3401		1	SPRING		(20)	◆	
78	389 261 1933		1	COVER			◆	◆
79	406 337 0252		1	SHIM	0.10mm	(4)	◆	◆
79	406 337 0352		1	SHIM	0.20mm	(4)	◆	◆
79	389 263 3252		1	SHIM	0.40mm	(4)	◆	◆
79	389 263 3352		1	SHIM	0.45mm	(4)	◆	◆
79	389 263 3852		1	SHIM	0.70mm	(4)	◆	◆
79	389 263 3952		1	SHIM	0.75mm	(4)	◆	◆
79	389 263 5352		1	SHIM	0.40mm	(5)	◆	◆
79	389 263 5852		1	SHIM	0.55mm	(5)	◆	◆
79	389 263 6352		1	SHIM	0.70mm	(5)	◆	◆
79	389 263 6852		1	SHIM	0.85mm	(5)	◆	◆
79	389 263 7352		1	SHIM	1.00mm	(5)	◆	◆
79	389 263 7852		1	SHIM	1.15mm	(5)	◆	◆
79	389 263 8352		1	SHIM	1.30mm	(5)	◆	◆
80	010 981 6305	(010 981 5905)	1	ROLLER BEARING	45X100X27.5mm		◆	◆
81	389 263 0610		1	CONST.GEAR 23 T			◆	◆
82	389 263 1513	(389 263 0813)	1	DOUBLE GEAR 3rd/4th			◆	◆
83	389 263 0102		1	COUNTER SHAFT		(14)	◆	◆
83	389 263 0702		1	COUNTER SHAFT		(13)	◆	◆
84	010 981 5205		1	ROLLER BEARING	55X110X29.5mm		◆	◆
85	385 283 3152		1	SHIM	0.10mm		◆	◆
85	389 283 0052		1	SHIM	0.15mm		◆	◆
85	389 263 1952		1	SHIM	0.60mm		◆	◆
85	389 263 2052		1	SHIM	0.65mm		◆	◆
85	389 263 2352		1	SHIM	0.80mm		◆	◆
85	389 263 2752		1	SHIM	1.00mm		◆	◆
86	389 269 0210		1	OIL PUMP SHAFT		(21)	◆	◆
86	947 264 0005	(389 269 1210)	1	OIL PUMP SHAFT		(22)	◆	◆
		(389 269 0310)						
87	389 260 0690	(389 260 0590)	1	OIL PUMP		(22)	◆	◆
88	945 269 0201		1	OIL PUMP COVER			◆	◆
89	029 997 5748		1	O-RING			◆	◆

NOTES :

- [X1] : for gearbox numbered label no 714722 EPS
- [X2] : for gearbox numbered label no 714723 MPS
- (4) to gearbox number of 375914
- (5) from gearbox number of 375915
- (13) from gearbox number of 073830
- (14) to gearbox number of 073829
- (19) MPS gearbox
- (20) EPS gearbox
- (21) to gearbox number of 122273
- (22) from gearbox number of 122274

# GEARBOX G135-16







# GEARBOX G135-16

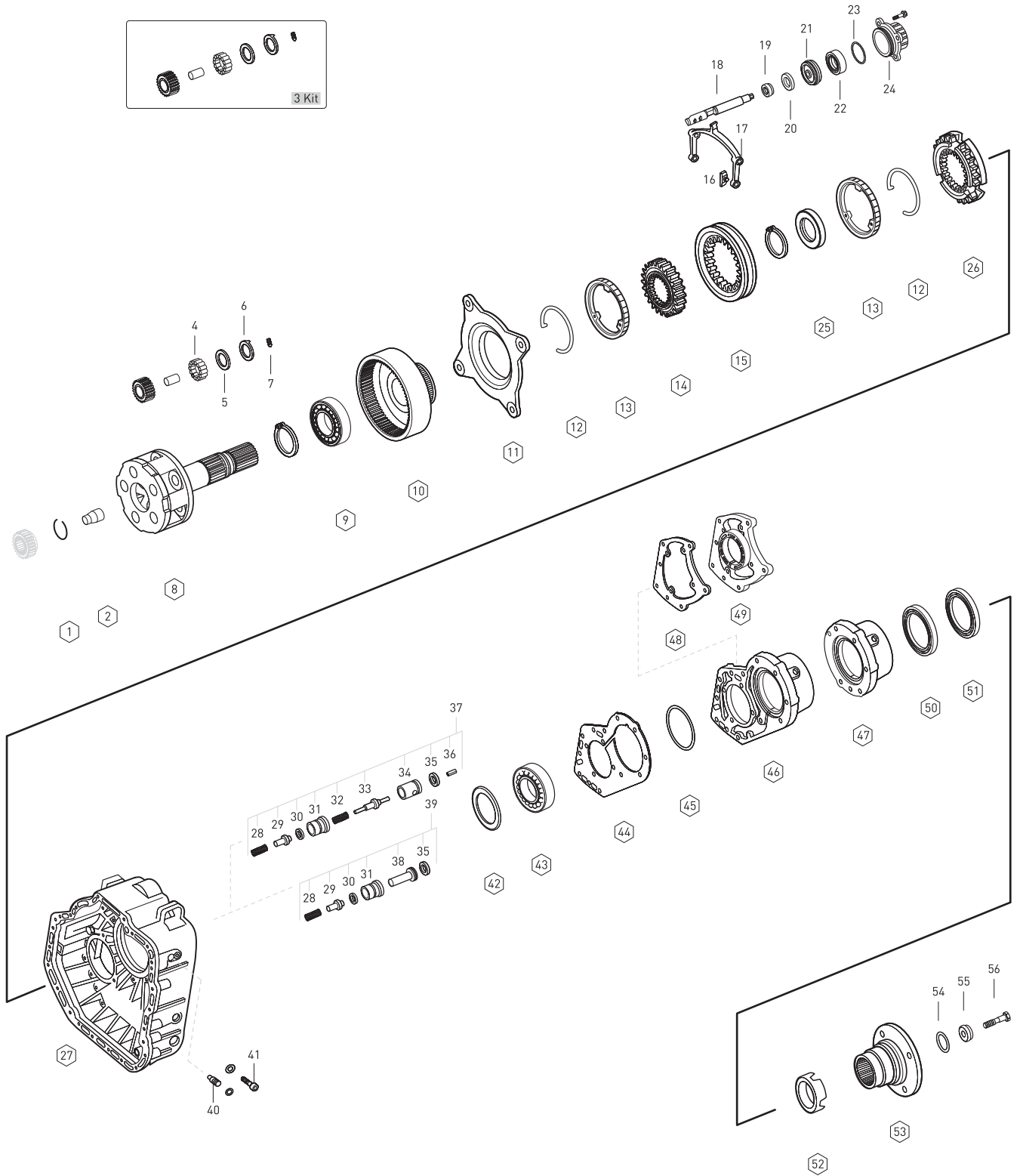


Fig.	Oem No	Oem Old No	Pcs	Description	Sizes	Notes	[X1]-G135-16/11.9	[X2]-G135-16/11.9
1	007993 040 200		1	SNAP RING	(NEW)	(1)	◆	◆
1	007993 060 200		1	SNAP RING	(OLD)	(2)	◆	◆
2	389 269 0134		1	OIL TUBE	(NEW)	(1)	◆	◆
2	389 269 0334		1	OIL TUBE	(OLD)	(2)	◆	◆
3	389 260 0397		5	PLANETARY GEAR SET	(NEW)	(3)	◆	◆
3	389 260 0197		5	PLANETARY GEAR SET	(OLD)	(4)	◆	◆
4	001 981 3287		125	NEEDLE ROLLER	5X28,8mm		◆	◆
5	389 262 6462	(389 262 0162)	10	THRUST WASHER			◆	◆
6	945 262 0162	(389 262 0262)	10	THRUST WASHER			◆	◆
7	000914 006 109		5	THREADED PIN	6X14mm		◆	◆
8	389 260 7861	(389 260 2761)	1	PLANETARY CARRIER	(NEW)	(1)	◆	◆
8	389 260 0761		1	PLANETARY CARRIER	(OLD)	(2)	◆	◆
9	008 981 1325		1	ROLLER BEARING	90X130X14mm		◆	◆
10	389 262 0308		1	ANNULUS 80 T			◆	◆
11	389 260 2036		1	FOLLOWER RING	(NEW)	(5)	◆	◆
11	389 260 0936		1	FOLLOWER RING	(OLD)	(6)	◆	◆
12	389 262 0293		2	SPRING			◆	◆
13	389 262 0537		2	SYNCHRONIZING CONE			◆	◆
14	389 262 4935	(389 262 2035)	1	GUIDE SLEEVE	(NEW)	(5)	◆	◆
14	389 262 0535		1	GUIDE SLEEVE	(OLD)	(6)	◆	◆
15	945 262 6623	(945 262 2623)	1	ENGAGING SLEEVE	(NEW)	(5)	◆	◆
		(945 262 0823)						
		(389 262 3823)						
		(389 262 3623)						
		(389 262 1623)						
15	389 262 1523	(389 262 0123)	1	ENGAGING SLEEVE	(OLD)	(6)	◆	◆
16	389 265 2449		2	SLIDING PAD	(NEW)	(5)	◆	◆
16	389 265 1249	(389 265 0949)	2	SLIDING PAD	(OLD)	(6)	◆	◆
17	947 265 1701	(947 265 1901)	1	SHIFTING FORK			◆	◆
		(930 265 0001)						
		(389 265 0901)						
		(389 265 0201)						
18	389 267 3517		1	SHIFTING ROD			◆	
18	389 267 7317	(389 267 4017)	1	SHIFTING ROD		(7)		◆
18	389 267 3217		1	SHIFTING ROD		(8)		◆
19	000 267 0197	(000 267 0397)	1	FLANGE PACKING			◆	◆
20	387 267 0650		1	BUSHING			◆	◆
21	389 267 1018	(389 267 0118)	1	U PISTON			◆	◆
22	024 997 8347	(020 997 6747)	1	SEAL RING			◆	◆
		(014 997 3647)						
		(014 997 5147)						

NOTES :

- [X1] : for gearbox numbered label no 714722 EPS
- [X2] : for gearbox numbered label no 714723 MPS
- (1) from gearbox number of 183905
- (2) to gearbox number of 183904
- (3) from gearbox number of 176367
- (4) to gearbox number of 176366
- (5) from gearbox number of 201818
- (6) to gearbox number of 201817
- (7) from gearbox number of 070419
- (8) to gearbox number of 070418

# GEARBOX G135-16

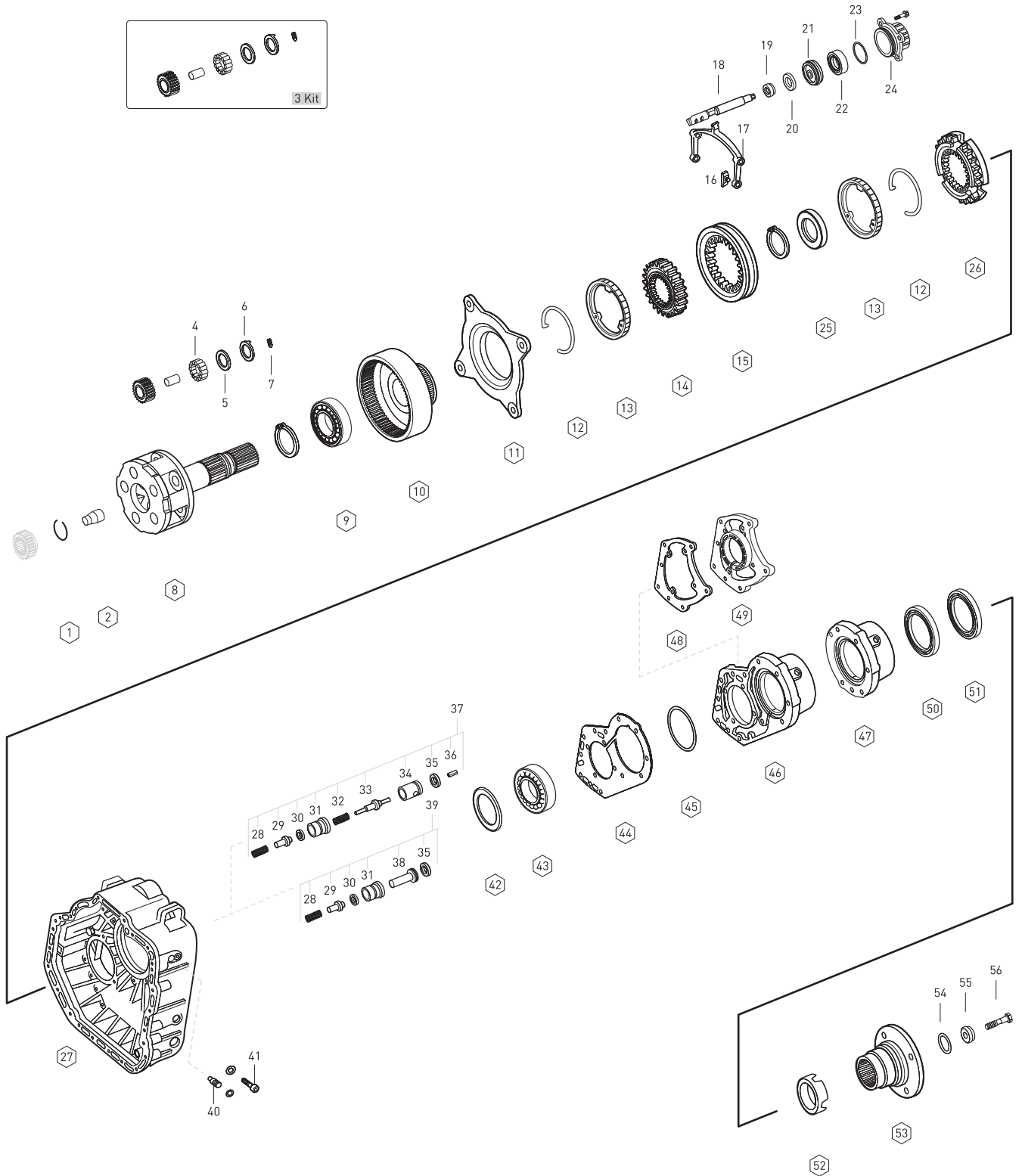


Fig.	Oem No	Oem Old No	Pcs	Description	Sizes	Notes	[X1]-G135-16/11.9	[X2]-G135-16/11.9
23	013 997 7548		1	O-RING			◆	◆
24	945 267 1119	(389 267 2919)	1	SHIFTING CYLINDER			◆	◆
		(389 267 1319)						
		(389 267 1419)						
		(389 267 4219)						
25	389 262 0251		1	SPACER RING			◆	◆
26	389 262 9134		1	ENGAGING RING		[9]	◆	◆
26	389 262 4034		1	ENGAGING RING		[5](11)	◆	◆
26	389 262 2334	(389 262 1934)	1	ENGAGING RING		[20](6)	◆	◆
26	389 262 0934		1	ENGAGING RING		[10]	◆	◆
27	389 261 5126	(389 261 4926)	1	HOUSING		[9]	◆	◆
27	389 261 4703	(389 261 4603)	1	HOUSING		[11]	◆	◆
		(389 261 2703)						
		(389 261 1203)						
27	389 261 2126	(389 261 2226)	1	HOUSING			◆	◆
		(389 261 2326)						
		(389 261 2426)						
		(389 261 7803)						
		(389 261 7903)						
28	389 993 5301		1	SPRING		[12]	◆	◆
28	389 993 4301		1	SPRING		[13]	◆	◆
28	389 993 1701		1	SPRING		[14]	◆	◆
29	389 269 1026	(389 269 0926)	1	SELECTOR VALVE		[12]	◆	◆
29	389 269 0026		1	SELECTOR VALVE		[13]	◆	◆
29	005401 311 000		1	BALL		[14]	◆	◆
30	013 997 0148		1	O-RING	13.3X2.4mm		◆	◆
30	015 997 6048		1	O-RING	23.3X2.4mm		◆	◆
31	389 269 1444	(389 269 0744)	1	VALVE INSERT		[15]	◆	◆
		(389 269 0144)						
31	389 265 2074		1	VALVE INSERT		[14]	◆	◆
32	389 993 4401		1	SPRING	11.5X41.9X1.0mm	[16]	◆	◆
33	389 269 0826		1	SELECTOR VALVE		[16]	◆	◆
34	389 269 0844		1	BALL		[16]	◆	◆
35	013 997 0048		1	O-RING	19.2X3.0mm		◆	◆
36	001481 004 001		1	CLAMPING SLEEVE		[16]	◆	◆
37	655 260 0257		1	VALVE KIT			◆	◆
37	655 260 0157		1	VALVE KIT	[PTO]		◆	◆
38	389 265 0176	(389 265 0076)	1	WASHER		[17]	◆	◆
39	655 260 0057		1	VALVE KIT			◆	◆
40	389 265 0974		2	PIN		[18]	◆	◆
40	945 265 1474	(945 265 1774)	2	PIN		[19]	◆	◆

**NOTES :**

- [X1] : for gearbox numbered label no 714722 EPS  
[X2] : for gearbox numbered label no 714723 MPS
- |                                    |                                    |
|------------------------------------|------------------------------------|
| (5) from gearbox number of 201818  | (14) to gearbox number of 114731   |
| (6) to gearbox number of 201817    | (15) from gearbox number of 114732 |
| (9) from gearbox number of 380571  | (16) from gearbox number of 253531 |
| (10) to gearbox number of 070883   | (17) to gearbox number of 253530   |
| (11) to gearbox number of 380570   | (18) to gearbox number of 490748   |
| (12) from gearbox number of 216383 | (19) from gearbox number of 490749 |
| (13) to gearbox number of 216382   | (20) from gearbox number of 070884 |

# GEARBOX G135-16

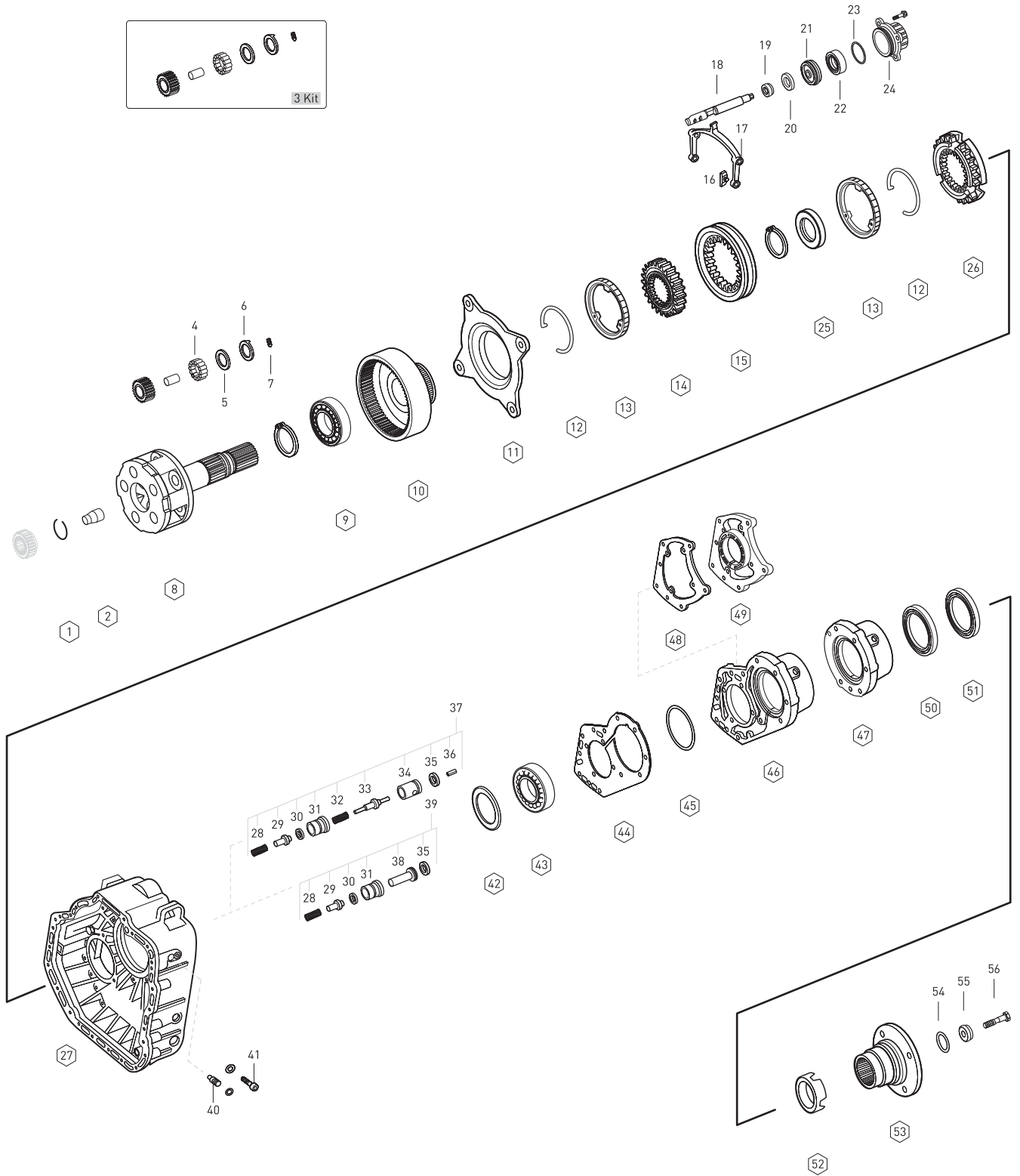


Fig.	Oem No	Oem Old No	Pcs	Description	Sizes	Notes	[X1]-G135-16/11.9	[X2]-G135-16/11.9
40	945 265 1474	(389 265 2874)	2	PIN		(19)	◆	◆
41	007984 008 013		2	SCREW		(18)	◆	◆
42	389 262 3954		1	THRUST WASHER	3.50mm	(20)	◆	◆
42	389 262 5252		1	THRUST WASHER		(10)	◆	◆
43	004 981 8525		1	ROLLER BEARING			◆	◆
43	004 981 8925		1	ROLLER BEARING			◆	◆
43	004 981 9325		1	ROLLER BEARING			◆	◆
44	389 261 1180		1	GASKET		(21)	◆	◆
45	389 262 7754		1	THRUST WASHER	1.40mm		◆	◆
45	389 262 5152		1	THRUST WASHER	0.80mm		◆	◆
45	389 262 5052		1	THRUST WASHER	0.40mm		◆	◆
45	389 262 7654		1	THRUST WASHER	0.25mm		◆	◆
45	389 262 4952		1	THRUST WASHER	0.20mm		◆	◆
45	389 262 4852		1	THRUST WASHER	0.15mm		◆	◆
45	389 262 4752		1	THRUST WASHER	0.10mm		◆	◆
46	389 261 0320	(389 261 0220)	1	COVER		(21)	◆	◆
47	389 261 1920	(389 261 0520)	1	COVER		(22)	◆	◆
		(389 261 0420)						
48	945 261 0080	(389 261 1980)	1	GASKET	(PTO)	(22)	◆	◆
		(389 261 1480)						
		(389 261 0780)						
48	389 261 1280		1	GASKET	(PTO)	(21)	◆	◆
49	945 261 1033		1	COVER	(PTO)	(22)	◆	◆
49	389 261 2433	(389 261 1033)	1	COVER	(PTO)		◆	◆
		(389 261 2333)						
		(389 261 0933)						
49	389 261 0433	(389 261 0233)	1	COVER	(PTO)	(21)	◆	◆
50	013 997 5547		1	OIL SEAL			◆	◆
50	013 997 7247		1	OIL SEAL			◆	◆
50	014 997 1947		1	OIL SEAL			◆	◆
51	015 997 4247		1	OIL SEAL			◆	◆
51	013 997 7347		1	OIL SEAL			◆	◆
51	013 997 5647		1	OIL SEAL			◆	◆
52	945 262 0528	(389 260 0150)	1	PULSE STAR			◆	◆
53	389 262 0445		1	COMPANION FLANGE	4-H, Ø180mm		◆	◆
54	014 997 5148		1	O-RING			◆	◆
55	945 262 0062	(389 262 0362)	1	THRUST WASHER			◆	◆
56	945 990 0019	(389 990 2019)	1	SCREW	Ø24X80mm		◆	◆
		(389 990 0219)						

NOTES :

- [X1] : for gearbox numbered label no 714722 EPS
- [X2] : for gearbox numbered label no 714723 MPS
- [10] to gearbox number of 070883
- [18] to gearbox number of 490748
- [19] from gearbox number of 490749
- [20] from gearbox number of 070884
- [21] to gearbox number of 206784
- [22] from gearbox number of 206785

# GEARBOX G135-16

SYNCHRONIZER KIT CONST.

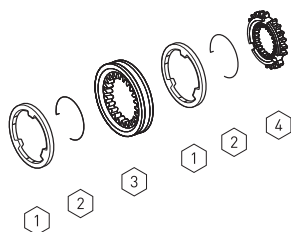


Fig.	Oem No	Oem Old No	Pcs	Description
	<b>2106190</b>		Kit	SYNCHRONIZER KIT Const
1	<b>389 262 0637</b>		2	SYNCHRONIZING CONE
2	<b>387 262 1093</b>		2	SPRING
3	<b>389 262 3023</b>	<b>(389 262 2223)</b>	1	ENGAGING SLEEVE
		<b>(389 262 0623)</b>		
4	<b>389 262 5634</b>	<b>(389 262 3934)</b>	1	ENGAGING RING

SYNCHRONIZER KIT 3rd/4th

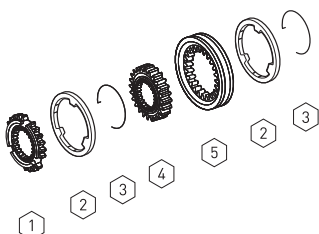


Fig.	Oem No	Oem Old No	Pcs	Description
	<b>2106191</b>		Kit	SYNCH.KIT 3rd/4th
1	<b>389 262 5634</b>	<b>(389 262 3934)</b>	1	ENGAGING RING
2	<b>389 262 0637</b>		2	SYNCHRONIZING CONE
3	<b>387 262 1093</b>		2	SPRING
4	<b>389 262 0635</b>		1	GUIDE SLEEVE
5	<b>389 262 3023</b>	<b>(389 262 2223)</b>	1	ENGAGING SLEEVE
		<b>(389 262 0623)</b>		

SYNCHRONIZER KIT 1st/2nd

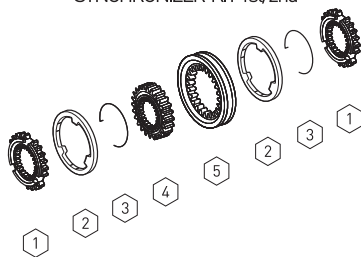


Fig.	Oem No	Oem Old No	Pcs.	Description
	<b>2106192</b>		Kit	SYNCH.KIT 1st/2nd
1	<b>945 262 0434</b>	<b>(389 262 0034)</b>	2	ENGAGING RING
2	<b>389 262 0737</b>		2	SYNCHRONIZING CONE
3	<b>387 262 0893</b>		2	SPRING
4	<b>389 262 0035</b>		1	GUIDE SLEEVE
5	<b>389 262 2923</b>	<b>(389 262 0723)</b>	1	ENGAGING SLEEVE

SYNCHRONIZER KIT PLANETARY  
NEW MODEL

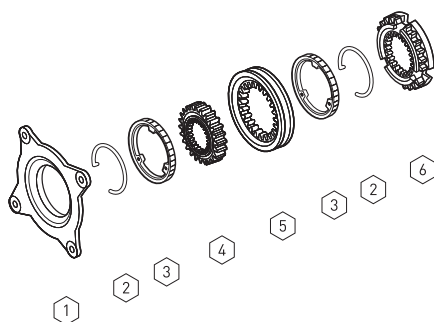


Fig.	Oem No	Oem Old No	Pcs.	Description
	<b>2106193</b>		Kit	SYNCH.KIT PLANETARY
1	<b>389 260 2036</b>		1	FOLLOWER RING
2	<b>389 262 0293</b>		2	SPRING
3	<b>389 262 0537</b>		2	SYNCHRONIZING CONE
4	<b>389 262 4935</b>	<b>(389 262 2035)</b>	1	GUIDE SLEEVE
5	<b>945 262 6623</b>	<b>(945 262 2623)</b>	1	ENGAGING SLEEVE
		<b>(945 262 0823)</b>		
		<b>(389 262 3823)</b>		
		<b>(389 262 3623)</b>		
		<b>(389 262 1623)</b>		
6	<b>389 262 9134</b>		1	ENGAGING RING

SYNCHRONIZER KIT PLANETARY  
NEW MODEL

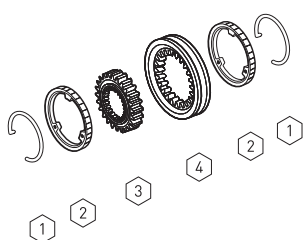


Fig.	Oem No	Oem Old No	Pcs	Description
	<b>2106194</b>		Kit	SYNCH.KIT PLANETARY
1	<b>389 262 0293</b>		2	SPRING
2	<b>389 262 0537</b>		2	SYNCHRONIZING CONE
3	<b>389 262 4935</b>	<b>(389 262 2035)</b>	1	GUIDE SLEEVE
4	<b>945 262 6623</b>	<b>(945 262 2623)</b>	1	ENGAGING SLEEVE
		<b>(945 262 0823)</b>		
		<b>(389 262 3823)</b>		
		<b>(389 262 3623)</b>		
		<b>(389 262 1623)</b>		



Fig.	o. Oem No	Oem Old No	Pcs	Description
	<b>2106195</b>		Kit	SYNCH.KIT PLANETARY
1	<b>389 260 2036</b>		1	FOLLOWER RING
2	<b>389 262 0293</b>		2	SPRING
3	<b>389 262 0537</b>		2	SYNCHRONIZING CONE
4	<b>389 262 4935</b>	<b>(389 262 2035)</b>	1	GUIDE SLEEVE
5	<b>945 262 6623</b>	<b>(945 262 2623)</b>	1	ENGAGING SLEEVE
		<b>(945 262 0823)</b>		
		<b>(389 262 3823)</b>		
		<b>(389 262 3623)</b>		
		<b>(389 262 1623)</b>		
6	<b>389 262 4034</b>		1	ENGAGING RING

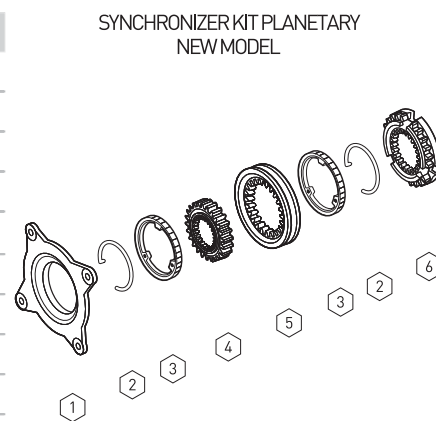


Fig.	o. Oem No	Oem Old No	Pcs	Description
	<b>2106196</b>		Kit	SYNCH.KIT PLANETARY
1	<b>389 262 0293</b>		2	SPRING
2	<b>389 262 0537</b>		2	SYNCHRONIZING CONE
3	<b>389 262 0535</b>		1	GUIDE SLEEVE
4	<b>389 262 1523</b>	<b>(389 262 0123)</b>	1	ENGAGING SLEEVE

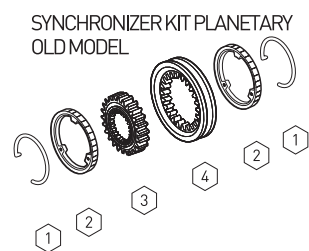


Fig.	o. Oem No	Oem Old No	Pcs	Description
	<b>2106197</b>		Ki	SYNCH.KIT PLANETARY
1	<b>389 260 0936</b>		1	FOLLOWER RING
2	<b>389 262 0293</b>		2	SPRING
3	<b>389 262 0537</b>		2	SYNCHRONIZING CONE
4	<b>389 262 0535</b>		1	GUIDE SLEEVE
5	<b>389 262 1523</b>	<b>(389 262 0123)</b>	1	ENGAGING SLEEVE
6	<b>389 262 2334</b>	<b>(389 262 1934)</b>	1	ENGAGING RING

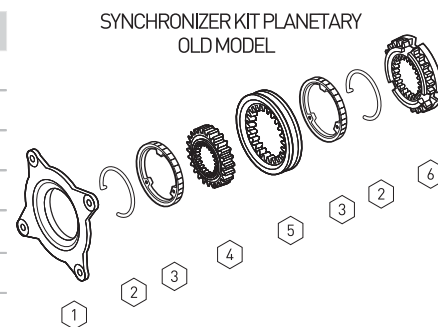
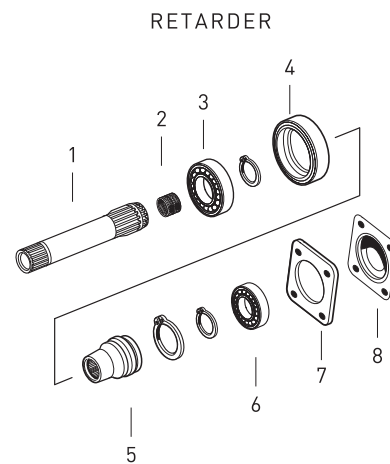


Fig.	o. Oem No	Oem Old No	Pcs	Description
1	<b>945 264 0305</b>		1	INTERM.SHAFT
1	<b>389 264 0505</b>		1	INTERM.SHAFT
1	<b>K21.03493 389 264 0205</b>	<b>(387 264 0405)</b>	1	INTERM.SHAFT
2	<b>013 981 0610</b>		1	NEEDLE CAGE
3	<b>008 981 3225</b>		1	ROLLER BEARING
4	<b>945 264 0687</b>	<b>(389 264 0587)</b>	1	RING
5	<b>389 264 0223</b>		1	SLIDING COLLAR
6	<b>006 981 2525</b>		1	ROLLER BEARING
7	<b>389 264 0780</b>		1	GASKET
8	<b>945 264 0611</b>		1	COVER
8	<b>389 264 0311</b>		1	COVER



# GEARBOX G155-16

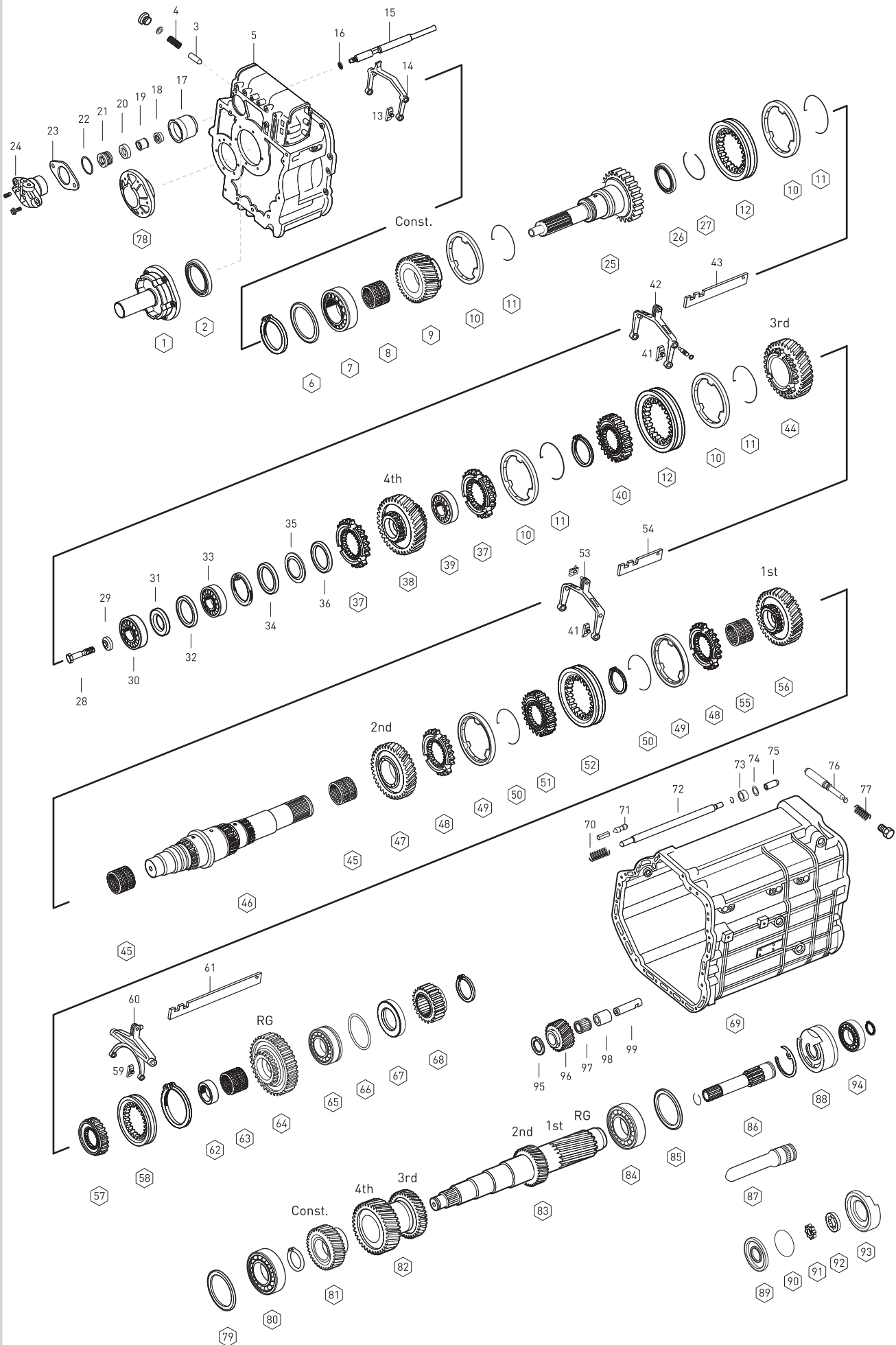


Fig.	o. Oem No	Oem Old No	Pcs	Description	Sizes	Notes	[X1] : G155-16/14.0	[X2] : G155-16/14.0	[X3] : G155-16/11.9	[X4] : G155-16/11.9	[X5] : G155-16/11.9	[X6] : G155-16/11.9
1	389 261 3318		1	COVER		(1)	◆	◆	◆	◆	◆	◆
1	389 261 1018		1	COVER		(2)	◆	◆	◆	◆	◆	◆
2	015 997 2748		1	OIL SEAL		(1)	◆	◆	◆	◆	◆	◆
2	015 997 1647	(015 997 0647)	1	OIL SEAL		(2)	◆	◆	◆	◆	◆	◆
3	389 267 1174	(387 267 0034)	1	PIN			◆	◆	◆	◆	◆	◆
4	387 993 4401		1	SPRING	9.8X63.3mm		◆	◆	◆	◆	◆	◆
4	387 993 4501		1	SPRING	6.2X63.0mm		◆	◆	◆	◆	◆	◆
5	389 261 1702		1	HOUSING		(3)	◆	◆	◆	◆	◆	◆
5	389 261 5902	(389 261 4502)	1	HOUSING		(4)	◆	◆	◆	◆	◆	◆
		(389 261 5702)										
		(389 261 2802)										
5	389 261 0008		1	HOUSING		(4)(9)	◆	◆	◆	◆	◆	◆
5	389 261 4902	(389 261 3802)	1	HOUSING		(5)(18)	◆	◆	◆	◆	◆	◆
5	389 261 9602	(389 261 0308)	1	HOUSING		(6)	◆	◆	◆	◆	◆	◆
6	389 262 1954		1	SHIM	0.45mm	(7)	◆	◆	◆	◆	◆	◆
6	389 262 2054		1	SHIM	0.50mm	(7)	◆	◆	◆	◆	◆	◆
6	389 262 2154		1	SHIM	0.55mm	(7)	◆	◆	◆	◆	◆	◆
6	389 262 2254		1	SHIM	0.60mm	(7)	◆	◆	◆	◆	◆	◆
6	389 262 2354		1	SHIM	0.65mm	(7)	◆	◆	◆	◆	◆	◆
6	389 262 2454		1	SHIM	0.70mm	(7)	◆	◆	◆	◆	◆	◆
6	389 262 2554		1	SHIM	0.75mm	(7)	◆	◆	◆	◆	◆	◆
6	389 262 2654		1	SHIM	2.00mm	(7)	◆	◆	◆	◆	◆	◆
6	389 262 3055		1	SHIM	0.25mm	(8)	◆	◆	◆	◆	◆	◆
6	389 262 3255		1	SHIM	0.31mm	(8)	◆	◆	◆	◆	◆	◆
6	389 262 3555		1	SHIM	0.40mm	(8)	◆	◆	◆	◆	◆	◆
7	014 981 9005	(011 981 1305)	1	ROLLER BEARING	75X140X30mm		◆	◆	◆	◆	◆	◆
8	008 981 9410	(019 981 0810)	1	NEEDLE CAGE	85X93X37mm		◆	◆	◆	◆	◆	◆
9	389 262 7710	(389 262 2710)	1	CONSTANT GEAR		(5)				◆	◆	◆
9	389 262 2910	(389 262 1010)	1	CONSTANT GEAR		(9)				◆	◆	◆
9	389 262 2210		1	CONSTANT GEAR		(5)	◆	◆				
9	389 262 2810	(389 262 3010)	1	CONSTANT GEAR		(9)	◆	◆				
		(389 262 0910)										
10	389 262 0637		4	SYNCHRONIZING CONE	77.0mm		◆	◆	◆	◆	◆	◆
11	387 262 1093		4	SPRING			◆	◆	◆	◆	◆	◆
12	389 262 3023	(389 262 2223)	2	ENGAGING SLEEVE		(10)	◆	◆	◆	◆	◆	◆
		(389 262 0623)										
12	387 262 1523	(387 262 0523)	2	ENGAGING SLEEVE		(11)	◆	◆	◆	◆	◆	◆
13	389 265 1249	(389 265 0949)	2	SLIDING PAD			◆	◆	◆	◆	◆	◆
14	389 265 0601		1	GEAR SHIT FORK			◆	◆	◆	◆	◆	◆
15	389 267 2117		1	G.SHIFT RAIL		(9)	◆		◆			
15	389 267 2217		1	G.SHIFT RAIL		(5)	◆		◆			

NOTES :

- [X1] : for gearboxes numbered label nos 714701-12-13 EPS
- [X2] : for gearboxes numbered label nos 714702-08-11-90 MPS, 714710-14-19-91 NA 4/120-1 C
- [X3] : for gearbox numbered label no 714704-92 EPS
- [X4] : for gearboxes numbered label nos 714705 MPS
- [X5] : for gearboxes numbered label nos 714709-15 MPS, 714716-17 NA 4/120-1 C
- [X6] : for gearboxes numbered label nos 714782-87 MPS, 714786 NA 4/120-1 C
- (1) from gearbox number of 125575 (7) to gearbox number of 375914
- (2) to gearbox number of 125574 (8) from gearbox number of 375915
- (3) to gearbox number of 058717 (9) to gearbox number of 182425
- (4) from gearbox number of 058718 (10) from gearbox number of 058289
- (5) from gearbox number of 182426 (11) to gearbox number of 058288
- (6) from gearbox number of 380571 (18) to gearbox number of 380570

# GEARBOX G155-16

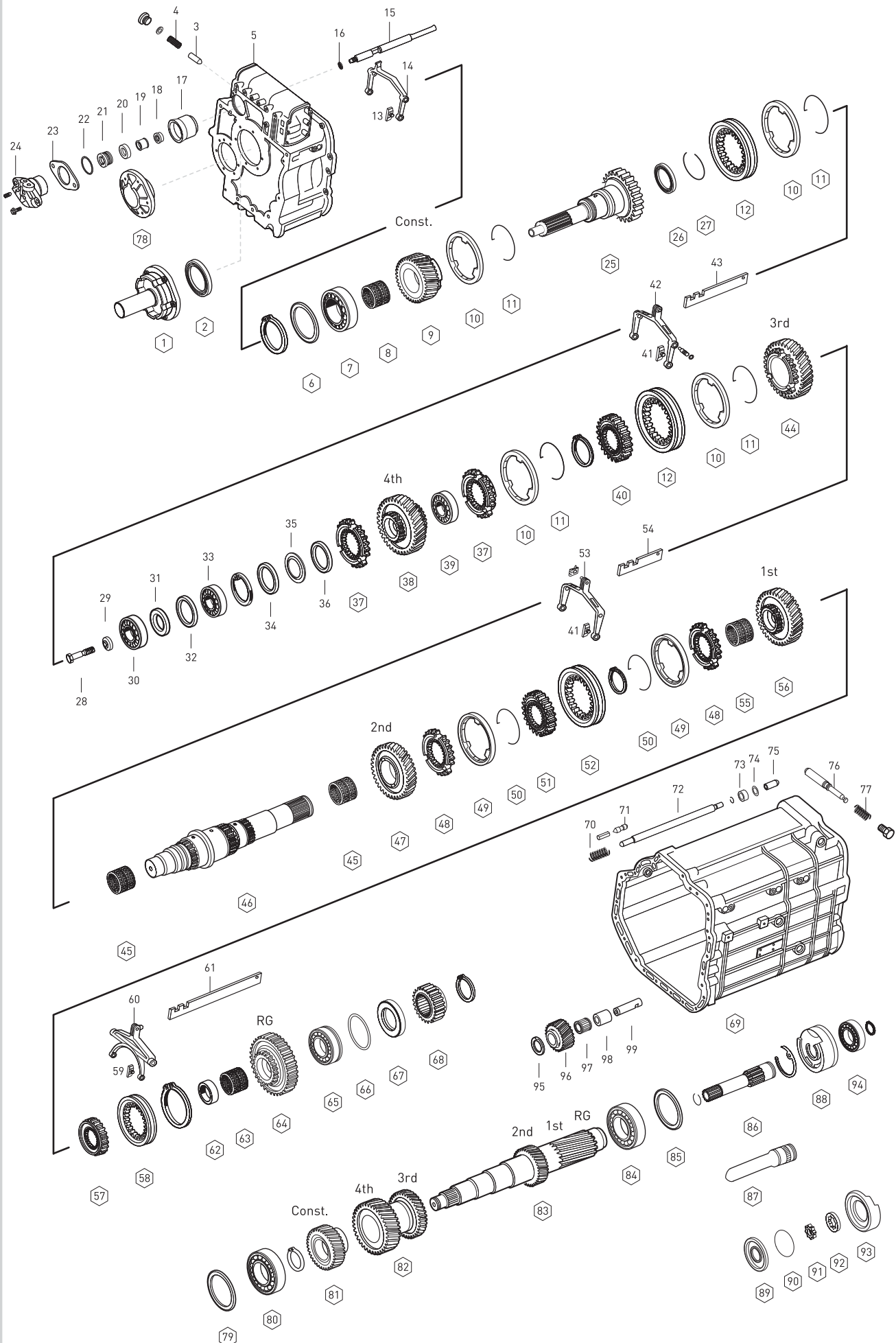


Fig.	o. Oem No	Oem Old No	Pcs	Description	Sizes	Notes	[X1] : G155-16/14.0	[X2] : G155-16/14.0	[X3] : G155-16/11.9	[X4] : G155-16/11.9	[X5] : G155-16/11.9	[X6] : G155-16/11.9
15	389 267 1917		1	G.SHIFT RAIL		(9)	◆	◆		◆		
15	389 267 2017		1	G.SHIFT RAIL		(5)	◆	◆		◆		
15	389 267 2917		1	G.SHIFT RAIL		(9)				◆	◆	
15	389 267 3017		1	G.SHIFT RAIL		(5)				◆	◆	◆
16	387 263 2652		1	SPACER WASHER	0.20mm		◆	◆	◆	◆	◆	◆
16	387 263 2752		1	SPACER WASHER	0.40mm		◆	◆	◆	◆	◆	◆
16	387 263 2852		1	SPACER WASHER	0.60mm		◆	◆	◆	◆	◆	◆
16	387 263 3052		1	SPACER WASHER	1.00mm		◆	◆	◆	◆	◆	◆
17	389 267 3319	(389 267 2119)	1	CYLINDER			◆	◆	◆	◆	◆	◆
		(389 267 2219)										
		(389 267 0419)										
18	000 267 0197	(000 267 0397)	1	FLANGE PACKING			◆	◆	◆	◆	◆	◆
19	387 267 0650		1	BUSHING			◆	◆	◆	◆	◆	◆
20	012 997 3347	(006 997 6447)	1	DOUBLE PACKING			◆	◆	◆	◆	◆	◆
21	945 267 0218	(387 267 0918)	1	PISTON			◆	◆	◆	◆	◆	◆
		(387 267 0618)										
22	007 997 4248		1	O-RING			◆	◆	◆	◆	◆	◆
23	387 263 3352		1	SPACER WASHER	0.20mm		◆	◆	◆	◆	◆	◆
23	387 263 3452		1	SPACER WASHER	0.40mm		◆	◆	◆	◆	◆	◆
23	387 263 3552		1	SPACER WASHER	0.60mm		◆	◆	◆	◆	◆	◆
23	387 263 3752		1	SPACER WASHER	1.00mm		◆	◆	◆	◆	◆	◆
24	389 267 2819	(389 267 2719)	1	COVER			◆	◆	◆	◆	◆	◆
		(389 267 2419)										
		(389 267 2319)										
		(389 267 1519)										
25	389 262 2901		1	INPUT SHAFT		(5)	◆	◆	◆	◆	◆	◆
25	389 262 3701	(389 262 1201)	1	INPUT SHAFT		(9)	◆	◆	◆	◆	◆	◆
26	000 262 8762	(019 997 2147)	1	OIL SEAL		(9)	◆	◆	◆	◆	◆	◆
		(019 997 2047)										
26	018 997 7547	(018 997 7147)	1	OIL SEAL		(5)	◆	◆	◆	◆	◆	◆
27	389 262 0973		1	LOCK RING		(5)	◆	◆	◆	◆	◆	◆
28	389 990 1819		1	SCREW (Bolts -L- teeth)		(12)	◆	◆	◆	◆	◆	◆
28	389 990 0119		1	SCREW (Bolts -R- teeth)		(13)	◆	◆	◆	◆	◆	◆
29	389 262 0062		1	WASHER			◆	◆	◆	◆	◆	◆
30	008 981 2805	(008 981 4005)	1	ROLLER BEARING 40X90.97X32mm		(9)	◆	◆	◆	◆	◆	◆
31	389 262 6454		1	THRUST WASHER	2.50 mm		◆	◆	◆	◆	◆	◆
31	389 262 5552		1	THRUST WASHER	1.20 mm		◆	◆	◆	◆	◆	◆
31	2104149		1	THRUST WASHER	1.10 mm		◆	◆	◆	◆	◆	◆
31	2104148		1	THRUST WASHER	1.00 mm		◆	◆	◆	◆	◆	◆
31	2104147		1	THRUST WASHER	0.90 mm		◆	◆	◆	◆	◆	◆
31	389 262 5652		1	THRUST WASHER	0.80 mm		◆	◆	◆	◆	◆	◆

G155-16

**NOTES :**

- [X1] : for gearboxes numbered label nos 714701-12-13 EPS
- [X2] : for gearboxes numbered label nos 714702-08-11-90 MPS, 714710-14-19-91 NA 4/120-1 C
- [X3] : for gearbox numbered label no 714704-92 EPS
- [X4] : for gearboxes numbered label nos 714705 MPS
- [X5] : for gearboxes numbered label nos 714709-15 MPS, 714716-17 NA 4/120-1 C
- [X6] : for gearboxes numbered label nos 714782-87 MPS, 714786 NA 4/120-1 C
- (5) from gearbox number of 182426
- (9) to gearbox number of 182425
- (12) from gearbox number of 129659
- (13) to gearbox number of 129658

# GEARBOX G155-16

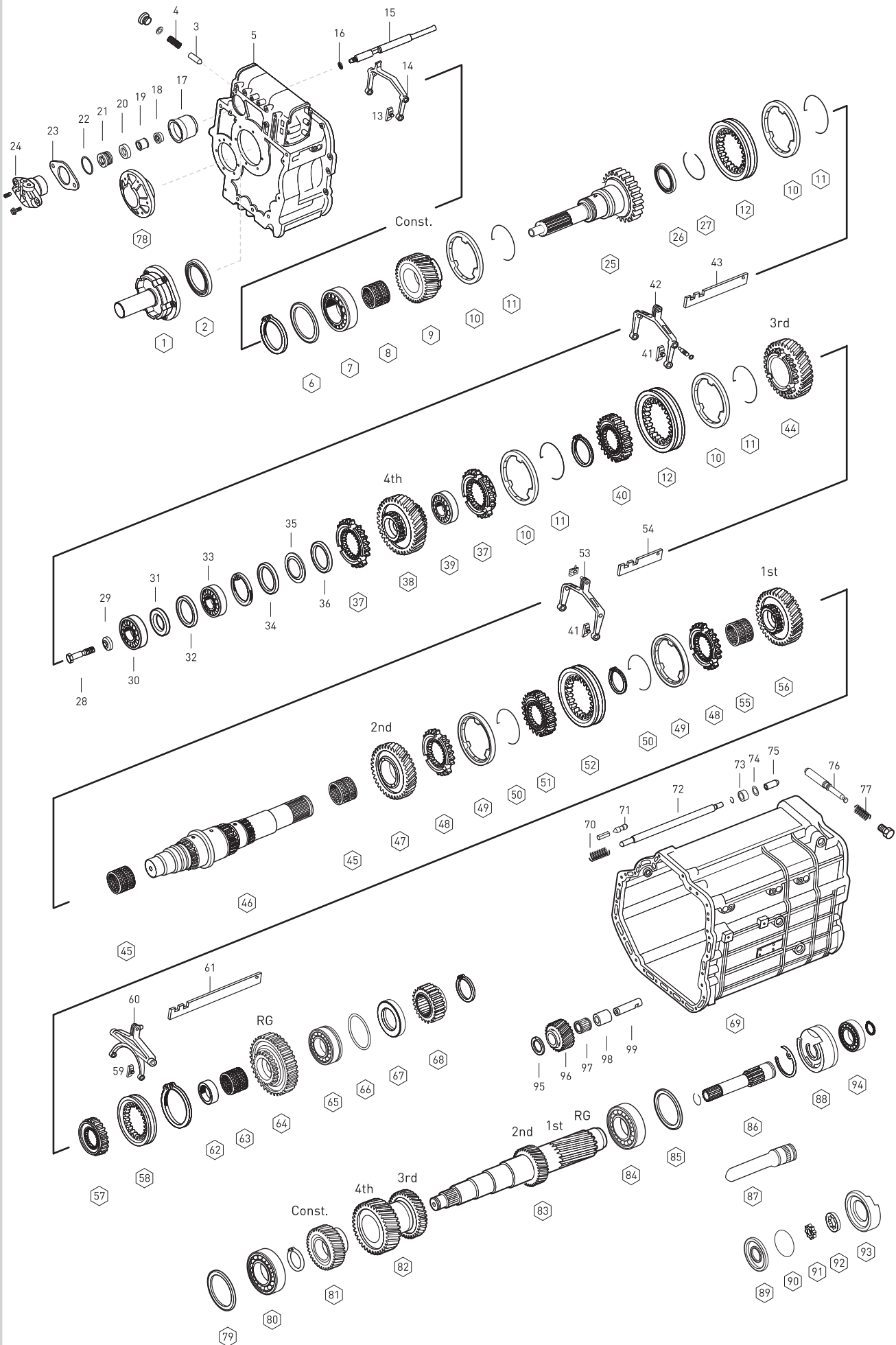


Fig.	o. Oem No	Oem Old No	Pcs	Description	Sizes	Notes	[X1] : G155-16/14.0	[X2] : G155-16/14.0	[X3] : G155-16/11.9	[X4] : G155-16/11.9	[X5] : G155-16/11.9	[X6] : G155-16/11.9
31	389 262 2954		1	THRUST WASHER	0.70mm		◆	◆	◆	◆	◆	◆
31	389 262 3054		1	THRUST WASHER	0.60mm		◆	◆	◆	◆	◆	◆
31	389 262 5752		1	THRUST WASHER	0.50 mm		◆	◆	◆	◆	◆	◆
31	389 262 7954		1	THRUST WASHER	0.30 mm		◆	◆	◆	◆	◆	◆
31	389 262 5852		1	THRUST WASHER	0.20mm		◆	◆	◆	◆	◆	◆
31	389 262 5952		1	THRUST WASHER	0.10mm		◆	◆	◆	◆	◆	◆
32	389 262 3352		1	THRUST WASHER	2.50mm		◆	◆	◆	◆	◆	◆
32	389 262 3252		1	THRUST WASHER	2.00mm		◆	◆	◆	◆	◆	◆
32	389 262 3152		1	THRUST WASHER	1.95mm		◆	◆	◆	◆	◆	◆
32	389 262 3052		1	THRUST WASHER	1.90mm		◆	◆	◆	◆	◆	◆
32	389 262 2952		1	THRUST WASHER	1.85mm		◆	◆	◆	◆	◆	◆
32	389 262 2455		1	THRUST WASHER	1.82mm		◆	◆	◆	◆	◆	◆
32	389 262 2355		1	THRUST WASHER	1.79mm		◆	◆	◆	◆	◆	◆
32	389 262 2255		1	THRUST WASHER	1.76mm		◆	◆	◆	◆	◆	◆
32	389 262 2155		1	THRUST WASHER	1.73mm		◆	◆	◆	◆	◆	◆
32	389 262 2055		1	THRUST WASHER	1.67mm		◆	◆	◆	◆	◆	◆
32	389 262 1955		1	THRUST WASHER	1.64mm		◆	◆	◆	◆	◆	◆
32	389 262 1855		1	THRUST WASHER	1.61mm		◆	◆	◆	◆	◆	◆
32	389 262 1755		1	THRUST WASHER	1.58mm		◆	◆	◆	◆	◆	◆
32	389 262 2352		1	THRUST WASHER	1.55mm		◆	◆	◆	◆	◆	◆
32	389 262 1655		1	THRUST WASHER	1.52mm		◆	◆	◆	◆	◆	◆
32	389 262 1555		1	THRUST WASHER	1.49mm		◆	◆	◆	◆	◆	◆
32	389 262 1455		1	THRUST WASHER	1.46mm		◆	◆	◆	◆	◆	◆
32	389 262 1355		1	THRUST WASHER	1.43mm		◆	◆	◆	◆	◆	◆
32	389 262 2052		1	THRUST WASHER	1.40mm		◆	◆	◆	◆	◆	◆
32	389 262 1952		1	THRUST WASHER	1.35mm		◆	◆	◆	◆	◆	◆
32	389 262 2754		1	THRUST WASHER	1.30mm		◆	◆	◆	◆	◆	◆
32	389 262 3654		1	THRUST WASHER	1.25mm		◆	◆	◆	◆	◆	◆
32	389 262 3554		1	THRUST WASHER	1.20mm		◆	◆	◆	◆	◆	◆
32	389 262 3454		1	THRUST WASHER	1.15mm		◆	◆	◆	◆	◆	◆
32	389 262 3354		1	THRUST WASHER	1.10mm		◆	◆	◆	◆	◆	◆
32	389 262 3254		1	THRUST WASHER	1.05mm		◆	◆	◆	◆	◆	◆
32	389 262 2854		1	THRUST WASHER	0.50mm		◆	◆	◆	◆	◆	◆
33	014 981 1505		1	ROLLER BEARING	55X90X23mm		◆	◆	◆	◆	◆	◆
34	389 262 1251		1	THRUST WASHER	2.20mm		◆	◆	◆	◆	◆	◆
34	389 262 2151		1	THRUST WASHER	2.15mm		◆	◆	◆	◆	◆	◆
34	389 262 1151		1	THRUST WASHER	2.10mm		◆	◆	◆	◆	◆	◆
34	389 262 2051		1	THRUST WASHER	2.05mm		◆	◆	◆	◆	◆	◆
34	389 262 1051		1	THRUST WASHER	2.00mm		◆	◆	◆	◆	◆	◆
34	389 262 0951		1	THRUST WASHER	1.90mm		◆	◆	◆	◆	◆	◆
34	389 262 0851		1	THRUST WASHER	1.80mm		◆	◆	◆	◆	◆	◆

**NOTES :**

- [X1] : for gearboxes numbered label nos 714701-12-13 EPS
- [X2] : for gearboxes numbered label nos 714702-08-11-90 MPS, 714710-14-19-91 NA 4/120-1 C
- [X3] : for gearbox numbered label no 714704-92 EPS
- [X4] : for gearboxes numbered label nos 714705 MPS
- [X5] : for gearboxes numbered label nos 714709-15 MPS, 714716-17 NA 4/120-1 C
- [X6] : for gearboxes numbered label nos 714782-87 MPS, 714786 NA 4/120-1 C

# GEARBOX G155-16

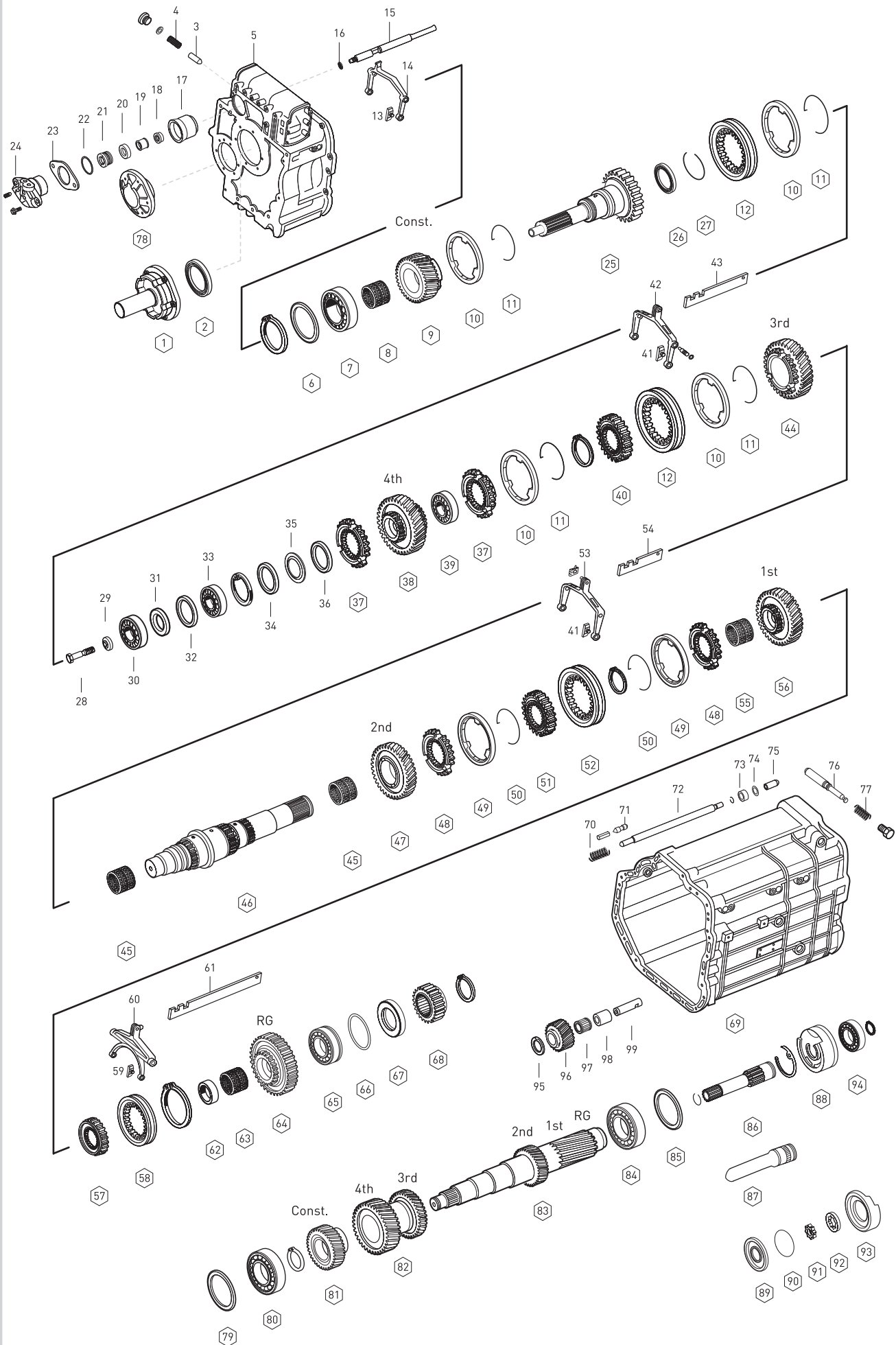




Fig.	Oem No	Oem Old No	Pcs	Description	Sizes	Notes	[X1] : G155-16/14.0	[X2] : G155-16/14.0	[X3] : G155-16/11.9	[X4] : G155-16/11.9	[X5] : G155-16/11.9	[X6] : G155-16/11.9
34	389 262 1751		1	THRUST WASHER	1.75mm		◆	◆	◆	◆	◆	◆
34	2104157		1	THRUST WASHER	1.60mm		◆	◆	◆	◆	◆	◆
35	389 262 1854		1	SPACER WASHER	7.00mm		◆	◆	◆	◆	◆	◆
36	389 262 2751		1	THRUST WASHER	5.40mm		◆	◆	◆	◆	◆	◆
36	389 262 2951		1	THRUST WASHER	5.50mm		◆	◆	◆	◆	◆	◆
36	389 262 3151		1	THRUST WASHER	5.60mm		◆	◆	◆	◆	◆	◆
36	389 262 3351		1	THRUST WASHER	5.70mm		◆	◆	◆	◆	◆	◆
36	389 262 3551		1	THRUST WASHER	5.80mm		◆	◆	◆	◆	◆	◆
36	389 262 3751		1	THRUST WASHER	5.90mm		◆	◆	◆	◆	◆	◆
36	389 262 3951		1	THRUST WASHER	6.00mm		◆	◆	◆	◆	◆	◆
36	389 262 4151		1	THRUST WASHER	6.10mm		◆	◆	◆	◆	◆	◆
36	389 262 4351		1	THRUST WASHER	6.20mm		◆	◆	◆	◆	◆	◆
36	389 262 4551		1	THRUST WASHER	6.30mm		◆	◆	◆	◆	◆	◆
36	389 262 4751		1	THRUST WASHER	6.40mm		◆	◆	◆	◆	◆	◆
36	389 262 4951		1	THRUST WASHER	6.50mm		◆	◆	◆	◆	◆	◆
36	389 262 5151		1	THRUST WASHER	6.60mm		◆	◆	◆	◆	◆	◆
37	389 262 5634	(389 262 3934)	2	ENGAGING RING		(15)(14)	◆	◆	◆	◆	◆	◆
38	389 262 5610	(389 262 4410)	1	GEAR 4th 24 T		(14)	◆	◆	◆	◆	◆	◆
38	389 262 5510	(389 262 2310)	1	GEAR 4th 24 T		(5)(15)	◆	◆	◆	◆	◆	◆
38	389 262 3710	(389 262 1710)	1	GEAR 4th 24 T		(10)(9)	◆	◆	◆	◆	◆	◆
		(389 262 1610)										
38	389 262 1110	(389 262 0210)	1	GEAR 4th 24 T		(11)	◆	◆	◆	◆	◆	◆
39	015 981 7705	(014 981 1605)	1	ROLLER BEARING			◆	◆	◆	◆	◆	◆
40	389 262 0635		1	GUIDE SLEEVE (OLD)		(15)	◆	◆	◆	◆	◆	◆
41	389 265 2349	(389 265 1149)	4	SLIDING PAD			◆	◆	◆	◆	◆	◆
42	389 260 3730	(389 260 2730)	1	SHIFTING FORK		(15)	◆	◆	◆	◆	◆	◆
43	389 265 6304		1	SHIFTING ROD		(10)	◆	◆	◆	◆	◆	◆
43	389 265 3304		1	SHIFTING ROD		(11)	◆	◆	◆	◆	◆	◆
44	389 262 1413	(389 262 1313)	1	GEAR 3rd		(10)(15)	◆	◆	◆	◆	◆	◆
		(389 262 0913)										
		(389 262 0813)										
44	389 262 0313	(389 262 0013)	1	GEAR 3rd		(11)	◆	◆	◆	◆	◆	◆
45	018 981 6610		2	NEEDLE CAGE	85X93X53mm		◆	◆	◆	◆	◆	◆
46	389 262 1505		1	MAIN SHAFT (-L- teeth)		(12)	◆	◆	◆	◆	◆	◆
46	389 262 1205		1	MAIN SHAFT (-R- teeth)		(13)	◆	◆	◆	◆	◆	◆
47	389 262 1312	(389 262 1212)	1	GEAR 2nd		(10)	◆	◆	◆	◆	◆	◆
47	389 262 0312	(389 262 0012)	1	GEAR 2nd		(11)	◆	◆	◆	◆	◆	◆
48	945 262 0434	(389 262 0034)	2	ENGAGING RING			◆	◆	◆	◆	◆	◆
49	389 262 0737		2	SYNCHRONIZING CONE	196.0mm		◆	◆	◆	◆	◆	◆
50	387 262 0893		2	SPRING	167.0mm		◆	◆	◆	◆	◆	◆
51	389 262 0035		1	GUIDE SLEEVE			◆	◆	◆	◆	◆	◆

G155-16

**NOTES :**

- [X1] : for gearboxes numbered label nos 714701-12-13 EPS
- [X2] : for gearboxes numbered label nos 714702-08-11-90 MPS, 714710-14-19-91 NA 4/120-1 C
- [X3] : for gearbox numbered label no 714704-92 EPS
- [X4] : for gearboxes numbered label nos 714705 MPS
- [X5] : for gearboxes numbered label nos 714709-15 MPS, 714716-17 NA 4/120-1 C
- [X6] : for gearboxes numbered label nos 714782-87 MPS, 714786 NA 4/120-1 C
- (5) from gearbox number of 182426 (12) from gearbox number of 129659
- (9) to gearbox number of 182425 (13) to gearbox number of 129658
- (10) from gearbox number of 058289 (14) from gearbox number of 297457
- (11) to gearbox number of 058288 (15) to gearbox number of 297456

# GEARBOX G155-16

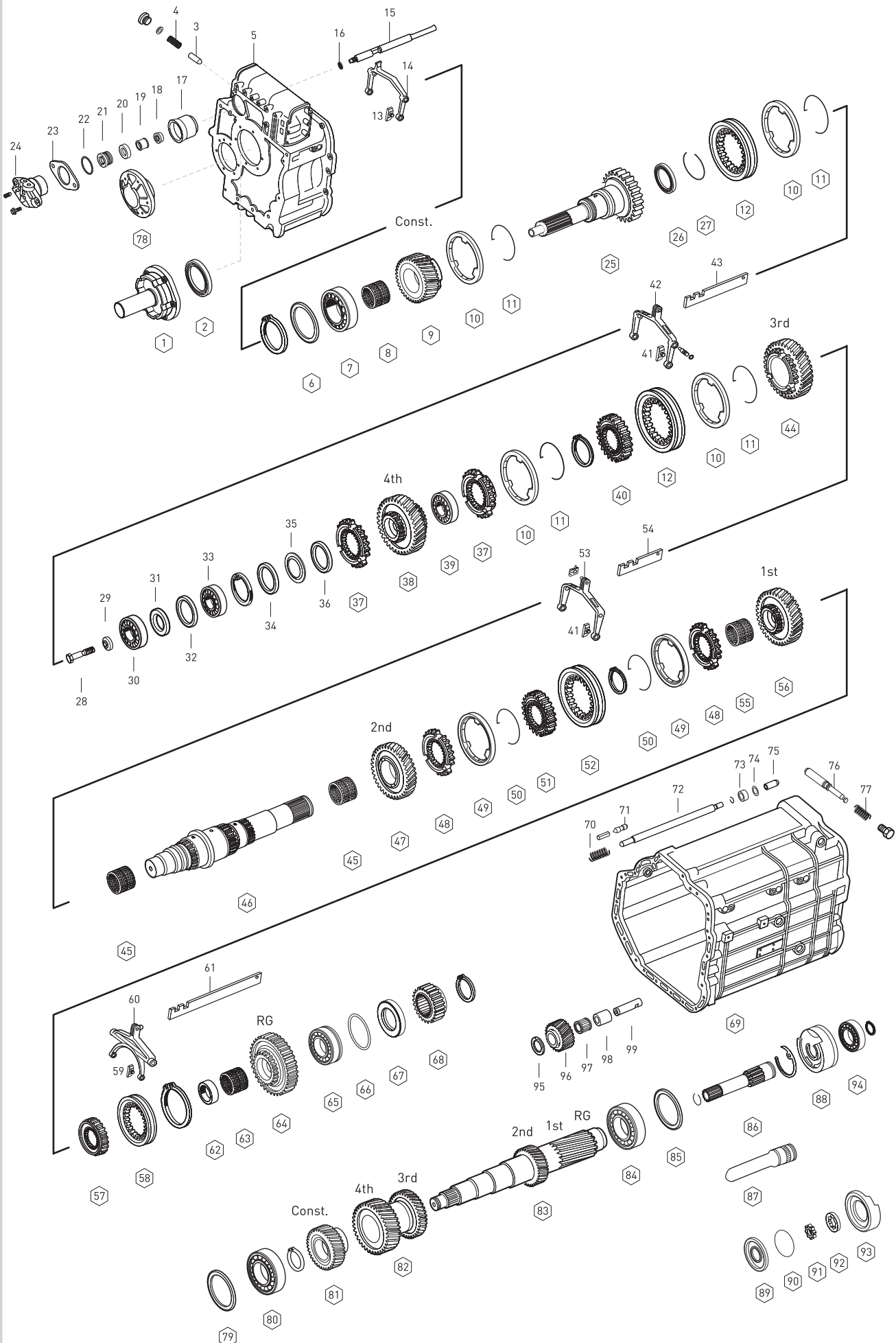


Fig	o. Oem No	Oem Old No	Pcs	Description	Sizes	Notes	[X1] : G155-16/14.0	[X2] : G155-16/14.0	[X3] : G155-16/11.9	[X4] : G155-16/11.9	[X5] : G155-16/11.9	[X6] : G155-16/11.9
52	389 262 2923	(389 262 0723)	1	ENGAGING SLEEVE		(10)	◆	◆	◆	◆	◆	◆
52	387 262 0623		1	ENGAGING SLEEVE		(11)	◆	◆	◆	◆	◆	◆
53	389 260 4430	(389 260 0130)	1	SHIFTING FORK			◆	◆	◆	◆	◆	◆
54	389 265 6404		1	SHIFTING ROD		(10)	◆	◆	◆	◆	◆	◆
54	389 265 3404		1	SHIFTING ROD		(11)	◆	◆	◆	◆	◆	◆
55	017 981 0210	(019 981 0910)	1	NEEDLE CAGE	75X83X55mm		◆	◆	◆	◆	◆	◆
		(012 981 9210)										
		(008 981 8310)										
		(019 981 4410)										
56	389 262 1611	(389 262 1511)	1	GEAR 1st		(10)	◆	◆	◆	◆	◆	◆
56	389 262 0411	(389 262 0711)	1	GEAR 1st		(11)	◆	◆	◆	◆	◆	◆
57	389 262 0135		1	HUB			◆	◆	◆	◆	◆	◆
58	389 262 1823	(389 262 0923)	1	ENGAGING SLEEVE		(16)	◆		◆			
58	389 262 1723	(389 262 0023)	1	ENGAGING SLEEVE		(17)		◆		◆	◆	◆
59	947 265 0249	(945 265 0149)	2	SLIDING PAD			◆	◆	◆	◆	◆	◆
60	389 260 4730	(389 260 1630)	1	SHIFTING FORK			◆	◆	◆	◆	◆	◆
61	389 265 3504		1	SHIFTING ROD			◆	◆	◆	◆	◆	◆
62	389 262 2550	(389 262 1650)	1	BEARING RACE			◆	◆	◆	◆	◆	◆
		(389 262 0050)										
63	009 981 1510	(017 981 7810)	1	NEEDLE CAGE	76X85X35mm		◆	◆	◆	◆	◆	◆
64	389 262 1033		1	REVERSE GEAR		(16)	◆		◆			
64	389 262 0333	(389 262 0033)	1	REVERSE GEAR		(17)		◆		◆	◆	◆
65	016 981 1305	(014 981 7505)	1	ROLLER BEARING	60X130X30mm		◆	◆	◆	◆	◆	◆
66	389 262 3552		1	SHIM	0.10mm		◆	◆	◆	◆	◆	◆
66	389 262 3652		1	SHIM	0.15mm		◆	◆	◆	◆	◆	◆
66	389 262 3752		1	SHIM	0.20mm		◆	◆	◆	◆	◆	◆
66	389 262 3852		1	SHIM	0.40mm		◆	◆	◆	◆	◆	◆
66	389 262 3952		1	SHIM	0.80mm		◆	◆	◆	◆	◆	◆
67	389 262 3754		1	THRUST WASHER		(5)	◆	◆	◆	◆	◆	◆
67	389 262 0152		1	THRUST WASHER		(9)	◆	◆	◆	◆	◆	◆
68	389 262 0209		1	SUN GEAR		(5)	◆	◆	◆	◆	◆	◆
68	389 262 0409		1	SUN GEAR		(9)	◆	◆	◆	◆	◆	◆
68	389 262 0009		1	SUN GEAR			◆	◆	◆	◆	◆	◆
69	655 260 3623	(389 261 3126)	1	HOUSING		(6)	◆	◆	◆	◆	◆	◆
69	389 261 2903	(389 261 3303)	1	HOUSING		(18)	◆	◆	◆	◆	◆	◆
69	389 261 2603		1	HOUSING		(19)	◆	◆	◆	◆	◆	◆
69	389 261 1703		1	HOUSING		(20)	◆	◆	◆	◆	◆	◆
70	389 993 0501		1	SPRING				◆		◆	◆	◆
71	389 267 0474		1	PIN				◆		◆	◆	◆
72	389 268 4825		1	SHIFTING ROD				◆		◆	◆	◆
73	389 268 0051		1	SPACER RING				◆		◆	◆	◆

NOTES :

- [X1] : for gearboxes numbered label nos 714701-12-13 EPS
- [X2] : for gearboxes numbered label nos 714702-08-11-90 MPS, 714710-14-19-91 NA 4/120-1 C
- [X3] : for gearbox numbered label no 714704-92 EPS
- [X4] : for gearboxes numbered label nos 714705 MPS
- [X5] : for gearboxes numbered label nos 714709-15 MPS, 714716-17 NA 4/120-1 C
- [X6] : for gearboxes numbered label nos 714782-87 MPS, 714786 NA 4/120-1 C
- (5) from gearbox number of 182426 (16) from gearbox number of 151983
- (6) from gearbox number of 380571 (17) to gearbox number of 151982
- (9) to gearbox number of 182425 (18) to gearbox number of 380570
- (10) from gearbox number of 058289 (19) from gearbox number of 084294
- (11) to gearbox number of 058288 (20) to gearbox number of 084293

# GEARBOX G155-16

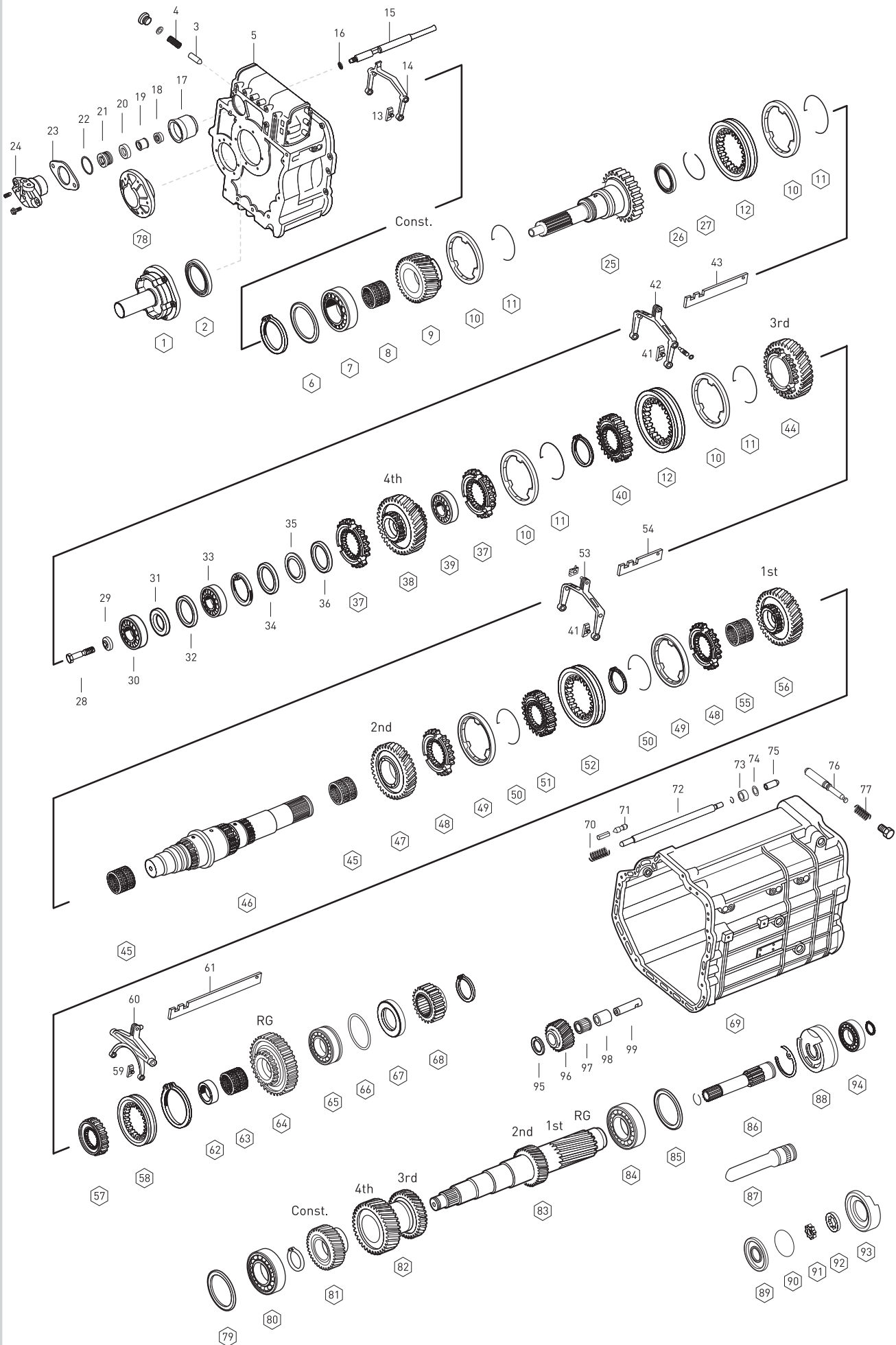
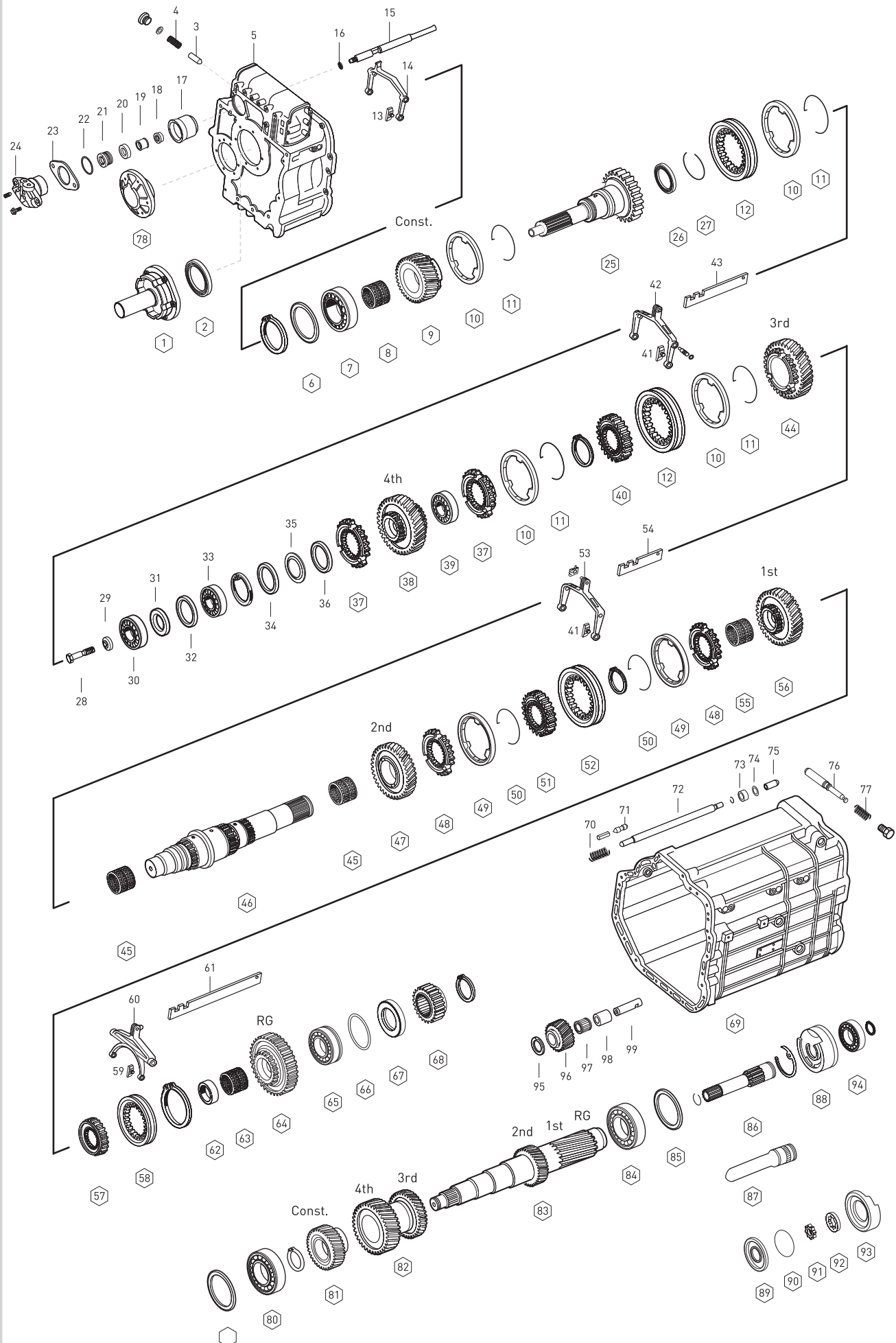


Fig.	o. Oem No	Oem Old No	Pcs.	Description	Sizes	Notes	[X1] : G155-16/14.0	[X2] : G155-16/14.0	[X3] : G155-16/11.9	[X4] : G155-16/11.9	[X5] : G155-16/11.9	[X6] : G155-16/11.9
74	000988 006 019		1	FITTED WASHER	0.10mm		◆			◆	◆	◆
74	000988 006 020		1	FITTED WASHER	0.20mm		◆			◆	◆	◆
74	000988 006 021		1	FITTED WASHER	0.30mm		◆			◆	◆	◆
74	000988 006 013		1	FITTED WASHER	0.50mm		◆			◆	◆	◆
74	000988 006 001		1	FITTED WASHER	1.00mm		◆			◆	◆	◆
75	389 268 0674		1	PIN			◆			◆	◆	◆
76	389 267 0974		1	PIN			◆			◆	◆	◆
76	945 267 0274	(389 267 0274)	1	PIN			◆	◆				
77	389 993 0601		1	SPRING			◆	◆		◆	◆	◆
77	389 993 3401		1	SPRING			◆	◆				
78	389 261 1933		1	COVER			◆	◆	◆	◆	◆	◆
79	406 337 0252		1	SHIM	0.10mm		◆	◆	◆	◆	◆	◆
79	406 337 0352		1	SHIM	0.20mm		◆	◆	◆	◆	◆	◆
79	389 263 3252		1	SHIM	0.40mm		◆	◆	◆	◆	◆	◆
79	389 263 3352		1	SHIM	0.45mm		◆	◆	◆	◆	◆	◆
79	389 263 3852		1	SHIM	0.70mm		◆	◆	◆	◆	◆	◆
79	389 263 3952		1	SHIM	0.75mm		◆	◆	◆	◆	◆	◆
79	389 263 5352		1	SHIM	0.40mm		◆	◆	◆	◆	◆	◆
79	389 263 5852		1	SHIM	0.55mm		◆	◆	◆	◆	◆	◆
79	389 263 6352		1	SHIM	0.70mm		◆	◆	◆	◆	◆	◆
79	389 263 6852		1	SHIM	0.85mm		◆	◆	◆	◆	◆	◆
79	389 263 7352		1	SHIM	1.00mm		◆	◆	◆	◆	◆	◆
79	389 263 7852		1	SHIM	1.15mm		◆	◆	◆	◆	◆	◆
79	389 263 8352		1	SHIM	1.30mm		◆	◆	◆	◆	◆	◆
80	014 981 1405	(013 981 0605)	1	ROLLER BEARING 51X100X37.5mm			◆	◆	◆	◆	◆	◆
81	389 263 1110		1	CONSTANT GEAR		(5)			◆	◆	◆	◆
81	389 263 0410		1	CONSTANT GEAR		(9)			◆	◆	◆	◆
81	389 263 1210		1	CONSTANT GEAR		(5)	◆	◆				
81	389 263 0910	(389 263 0310)	1	CONSTANT GEAR		(9)	◆	◆				
82	389 263 1413		1	DOUBLE GEAR 3rd/4th		(5)	◆	◆	◆	◆	◆	◆
82	389 263 1013	(389 263 0913)	1	DOUBLE GEAR 3rd/4th		(9){10}	◆	◆	◆	◆	◆	◆
82	389 263 0313	(389 263 0013)	1	DOUBLE GEAR 3rd/4th		(11)	◆	◆	◆	◆	◆	◆
83	389 263 0802		1	COUNTER SHAFT [ NEW ]		(10)	◆	◆	◆	◆	◆	◆
83	389 263 0302		1	COUNTER SHAF T [ OLD ]		(11)	◆	◆	◆	◆	◆	◆
84	012 981 9405	(016 981 1205)	1	ROLLER BEARING 60x130x34mm			◆	◆	◆	◆	◆	◆
85	389 263 0152		1	SHIM	0.10mm		◆	◆	◆	◆	◆	◆
85	389 263 4052		1	SHIM	0.60mm		◆	◆	◆	◆	◆	◆
85	389 263 4152		1	SHIM	0.65mm		◆	◆	◆	◆	◆	◆
85	389 263 4252		1	SHIM	0.70mm		◆	◆	◆	◆	◆	◆
85	389 263 4352		1	SHIM	0.75mm		◆	◆	◆	◆	◆	◆
85	389 263 0552		1	SHIM	0.80mm		◆	◆	◆	◆	◆	◆

**NOTES :**

- [X1] : for gearboxes numbered label nos 714701-12-13 EPS
- [X2] : for gearboxes numbered label nos 714702-08-11-90 MPS, 714710-14-19-91 NA 4/120-1 C
- [X3] : for gearbox numbered label no 714704-92 EPS
- [X4] : for gearboxes numbered label nos 714705 MPS
- [X5] : for gearboxes numbered label nos 714709-15 MPS, 714716-17 NA 4/120-1 C
- [X6] : for gearboxes numbered label nos 714782-87 MPS, 714786 NA 4/120-1 C
- (5) from gearbox number of 182426
- (9) to gearbox number of 182425
- (10) from gearbox number of 058289
- (11) to gearbox number of 058288

# GEARBOX G155-16





# GEARBOX G155-16

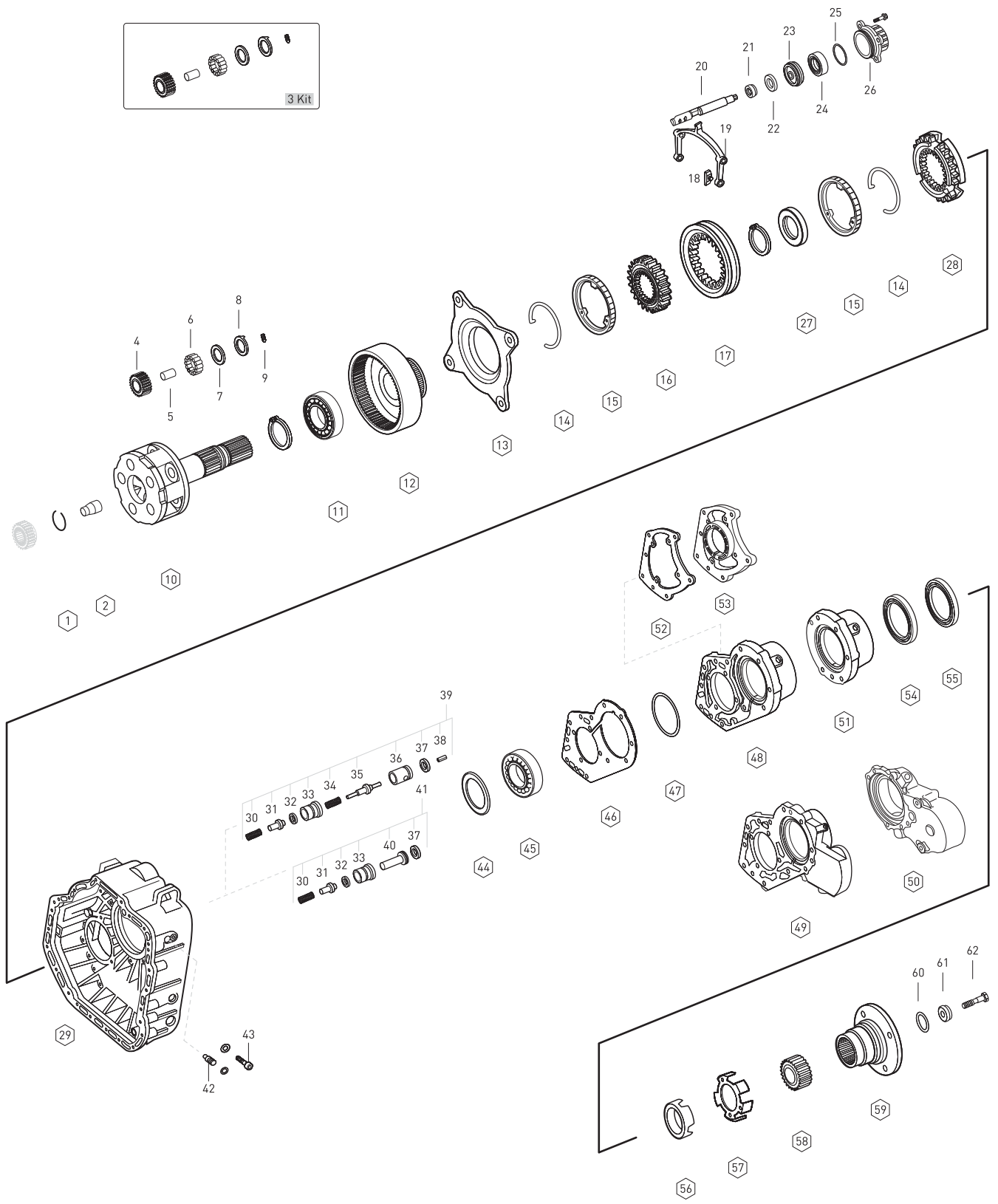




Fig.	Oem No	Oem Old No	Pcs.	Description	Sizes	Notes	[X1]-G155-16/14.0	[X2]-G155-16/14.0	[X3]-G155-16/14.0	[X4]-G155-16/14.0	[X5]-G155-16/11.9	[X6]-G155-16/11.9	[X7]-G155-16/11.9
1	007993 040 200		1	SNAP RING			◆	◆	◆	◆	◆	◆	◆
2	389 269 0134		1	OIL TUBE			◆	◆	◆	◆	◆	◆	◆
3	389 260 0497		5	PLANET.GEAR SET		(1)	◆	◆	◆	◆	◆	◆	◆
3	389 260 0297		5	PLANET.GEAR SET		(2)	◆	◆	◆	◆	◆	◆	◆
4	2106034		5	PLANET.GEAR 26 T Ø=88.50X41.00=H		(1)	◆	◆	◆	◆	◆	◆	◆
5	389 262 0407		5	PLANETARY SHAFT		(1)	◆	◆	◆	◆	◆	◆	◆
6	019 981 4386	(009 981 4186)	125	A NEEDLE ROLLER	4.995X39.60mm	(1)	◆	◆	◆	◆	◆	◆	◆
6	001 981 2987	(001 981 2887)	125	A NEEDLE ROLLER	4.995X36.80mm	(2)	◆	◆	◆	◆	◆	◆	◆
7	389 262 6462	(389 262 0162)	10	THRUST WASHER	35.35X43.90X1.00		◆	◆	◆	◆	◆	◆	◆
8	945 262 0162	(389 262 0262)	10	THRUST WASHER	35.35X65.50X1.25		◆	◆	◆	◆	◆	◆	◆
9	000914 006 109		5	THREADED PIN	5.90X13.90mm		◆	◆	◆	◆	◆	◆	◆
10	389 260 9061	(389 260 8961)	1	PLANETARY CARRIER		(1)	◆	◆	◆	◆	◆	◆	◆
		(389 260 7661)											
		(389 260 1361)											
10	389 260 0661		1	PLANETARY CARRIER		(2)	◆	◆	◆	◆	◆	◆	◆
11	008 981 1325		1	ROLLER BEARING	90X130X14mm		◆	◆	◆	◆	◆	◆	◆
12	389 262 0208		1	ANNULUS 80 T			◆	◆	◆	◆	◆	◆	◆
13	389 260 2036		1	FOLLOWER RING		(3)	◆	◆	◆	◆	◆	◆	◆
13	389 260 0936		1	FOLLOWER RING		(4)	◆	◆	◆	◆	◆	◆	◆
14	389 262 0293		2	SPRING			◆	◆	◆	◆	◆	◆	◆
15	389 262 0537		2	SYNCHRONIZING CONE			◆	◆	◆	◆	◆	◆	◆
16	389 262 4935	(389 262 2035)	1	GUIDE SLEEVE		(3)	◆	◆	◆	◆	◆	◆	◆
16	389 262 0535		1	GUIDE SLEEVE		(4)	◆	◆	◆	◆	◆	◆	◆
17	945 262 6623	(945 262 2623)	1	ENGAGING SLEEVE		(3)	◆	◆	◆	◆	◆	◆	◆
		(945 262 0823)											
		(389 262 3823)											
		(389 262 3623)											
		(389 262 1623)											
17	389 262 1523	(389 262 0123)	1	ENGAGING SLEEVE		(4)	◆	◆	◆	◆	◆	◆	◆
18	389 265 2449		2	SLIDING PAD		(3)	◆	◆	◆	◆	◆	◆	◆
18	389 265 1249	(389 265 0949)	2	SLIDING PAD		(4)	◆	◆	◆	◆	◆	◆	◆
19	947 265 1701	(947 265 1901)	1	SHIFTING FORK			◆	◆	◆	◆	◆	◆	◆
		(930 265 0001)											
		(389 265 0901)											
		(389 265 0201)											
20	389 267 7217	(389 267 3917)	1	SHIFTING ROD		(5)		◆	◆		◆		◆
20	389 267 3117		1	SHIFTING ROD		(6)		◆	◆		◆		◆
20	389 267 3417		1	SHIFTING ROD			◆			◆		◆	
21	000 267 0197	(000 267 0397)	1	FLANGE PACKING			◆	◆	◆	◆	◆	◆	◆
22	387 267 0650		1	BUSHING			◆	◆	◆	◆	◆	◆	◆
23	389 267 1018	(389 267 0118)	1	PISTON			◆	◆	◆	◆	◆	◆	◆

**NOTES :**

- [X1] : for gearbox numbered label no 714701 EPS
- [X2] : for gearboxes numbered label nos 714702 MPS, 714710-19 NA 4/120-1 C
- [X3] : for gearboxes numbered label nos 714711-90 MPS, 714714-91 NA 4/120-1 C/Z
- [X4] : for gearboxes numbered label nos 714712-13 EPS
- [X5] : for gearboxes numbered label nos 714705-09-15-82-87 MPS, 714716-86 NA 4/120-1 C
- [X6] : for gearboxes numbered label nos 714704-92 EPS
- [X7] : for gearbox numbered label no 714717 NA 4/120-1 C/Z
- (1) from gearbox number of 182426
- (2) to gearbox number of 182425
- (3) from gearbox number of 201818
- (4) to gearbox number of 201817
- (5) from gearbox number of 070419
- (6) to gearbox number of 070418

# GEARBOX G155-16

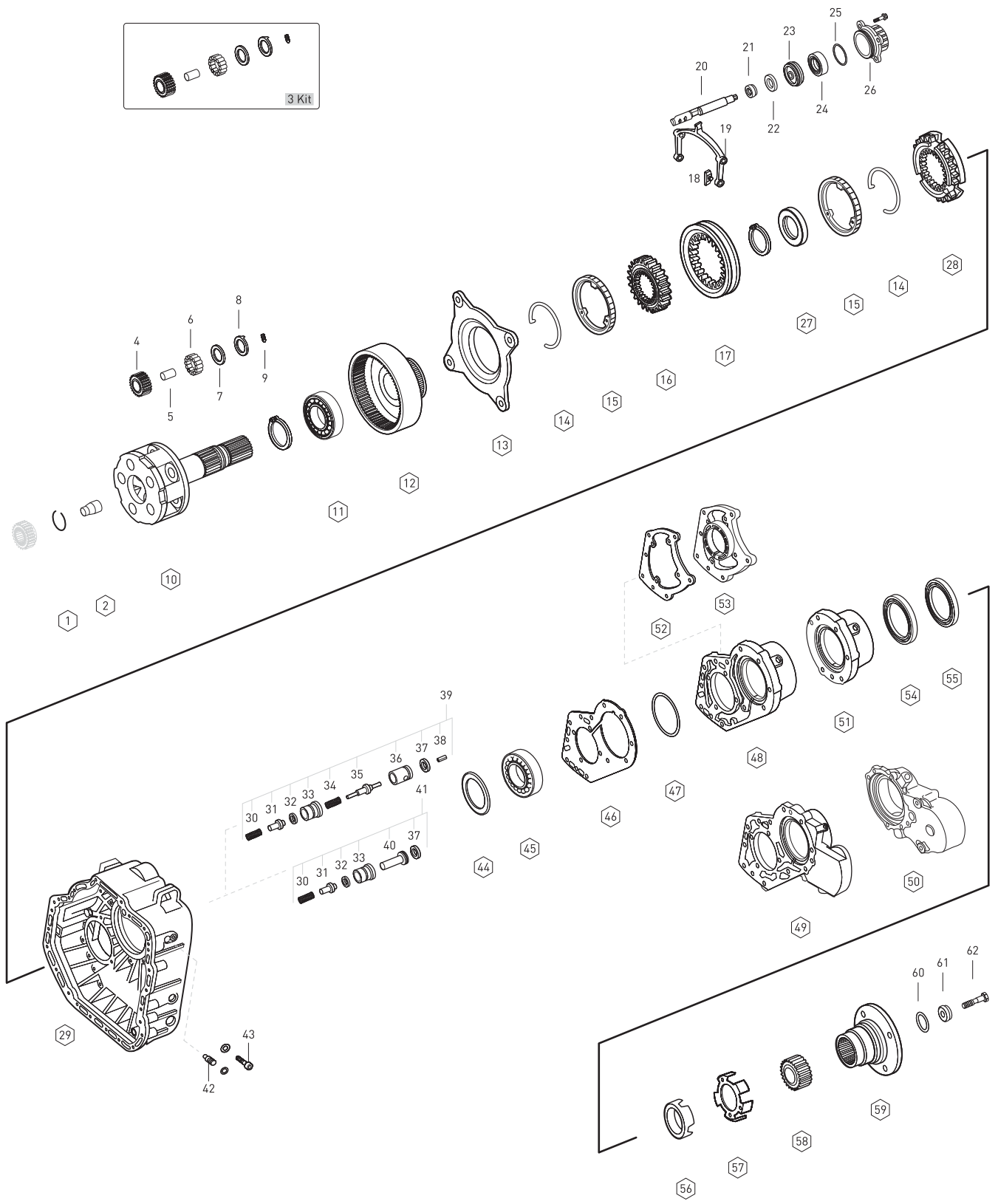


Fig.	o.	Oem No	Oem Old No	Pcs	Description	Sizes	Notes	[X1] : G155-16/14.0	[X2] : G155-16/14.0	[X3] : G155-16/14.0	[X4] : G155-16/14.0	[X5] : G155-16/11.9	[X6] : G155-16/11.9	[X7] : G155-16/11.9
24		024 997 8347	(020 997 6747) (014 997 3647) (014 997 5147)	1	SEAL RING			◆	◆	◆	◆	◆	◆	◆
25		013 997 7548		1	O-RING			◆	◆	◆	◆	◆	◆	◆
26		945 267 1119	(389 267 2919) (389 267 1319) (389 267 1419) (389 267 4219)	1	SHIFTING CYLINDER			◆	◆	◆	◆	◆	◆	◆
27		389 262 0251		1	SPACER RING			◆	◆	◆	◆	◆	◆	◆
28		389 262 9134		1	ENGAGING RING		[7]	◆	◆	◆	◆	◆	◆	◆
28		389 262 4034		1	ENGAGING RING		[3][9]	◆	◆	◆	◆	◆	◆	◆
28		389 262 2334	(389 262 1934)	1	ENGAGING RING		[10][4]	◆	◆	◆	◆	◆	◆	◆
28		389 262 0934		1	ENGAGING RING		[8]	◆	◆	◆	◆	◆	◆	◆
29		389 261 5126	(389 261 4926)	1	HOUSING		[7]	◆	◆	◆	◆	◆	◆	◆
29		389 261 4703	(389 261 4603) (389 261 2703) (389 261 1203)	1	HOUSING		[9]	◆	◆	◆	◆	◆	◆	◆
29		389 261 2126	(389 261 2226) (389 261 2326) (389 261 2426) (389 261 7803) (389 261 7903)	1	HOUSING			◆	◆	◆	◆	◆	◆	◆
30		389 993 5301		1	SPRING			◆	◆	◆	◆	◆	◆	◆
30		389 993 4301		1	SPRING			◆	◆	◆	◆	◆	◆	◆
30		389 993 1701		1	SPRING			◆	◆	◆	◆	◆	◆	◆
31		389 269 1026	(389 269 0926)	1	SELECTOR VALVE			◆	◆	◆	◆	◆	◆	◆
31		389 269 0026		1	SELECTOR VALVE			◆	◆	◆	◆	◆	◆	◆
31		005401 311 000		1	BALL			◆	◆	◆	◆	◆	◆	◆
32		013 997 0148		1	O-RING	13.3X2.4mm		◆	◆	◆	◆	◆	◆	◆
32		015 997 6048		1	O-RING	23.3X2.4mm		◆	◆	◆	◆	◆	◆	◆
33		389 269 1444	(389 269 0744) (389 269 0144)	1	VALVE INSERT			◆	◆	◆	◆	◆	◆	◆
33		389 265 2074		1	VALVE INSERT			◆	◆	◆	◆	◆	◆	◆
34		389 993 4401		1	SPRING	11.5X41.9X1.0mm		◆	◆	◆	◆	◆	◆	◆
35		389 269 0826		1	SELECTOR VALVE			◆	◆	◆	◆	◆	◆	◆
36		389 269 0844		1	BALL			◆	◆	◆	◆	◆	◆	◆
37		013 997 0048		1	O-RING	19.2X3.0mm		◆	◆	◆	◆	◆	◆	◆
38		001481 004 001		1	CLAMPING SLEEVE			◆	◆	◆	◆	◆	◆	◆
39		655 260 0257		1	VALVE KIT			◆	◆	◆	◆	◆	◆	◆
39		655 260 0157		1	VALVE KIT	(PTO)		◆	◆	◆	◆	◆	◆	◆
40		389 265 0176	(389 265 0076)	1	WASHER			◆	◆	◆	◆	◆	◆	◆

NOTES :

- [X1] : for gearbox numbered label no 714701 EPS
- [X2] : for gearboxes numbered label nos 714702 MPS, 714710-19 NA 4/120-1 C
- [X3] : for gearboxes numbered label nos 714711-90 MPS, 714714-91 NA 4/120-1 C/Z
- [X4] : for gearboxes numbered label nos 714712-13 EPS
- [X5] : for gearboxes numbered label nos 714705-09-15-82-87 MPS, 714716-86 NA 4/120-1 C
- [X6] : for gearboxes numbered label nos 714704-92 EPS
- [X7] : for gearbox numbered label no 714717 NA 4/120-1 C/Z
- [3] from gearbox number of 201818
- [4] to gearbox number of 201817
- [7] from gearbox number of 380571
- [8] to gearbox number of 070883
- [9] to gearbox number of 380570
- [10] from gearbox number of 070884

# GEARBOX G155-16

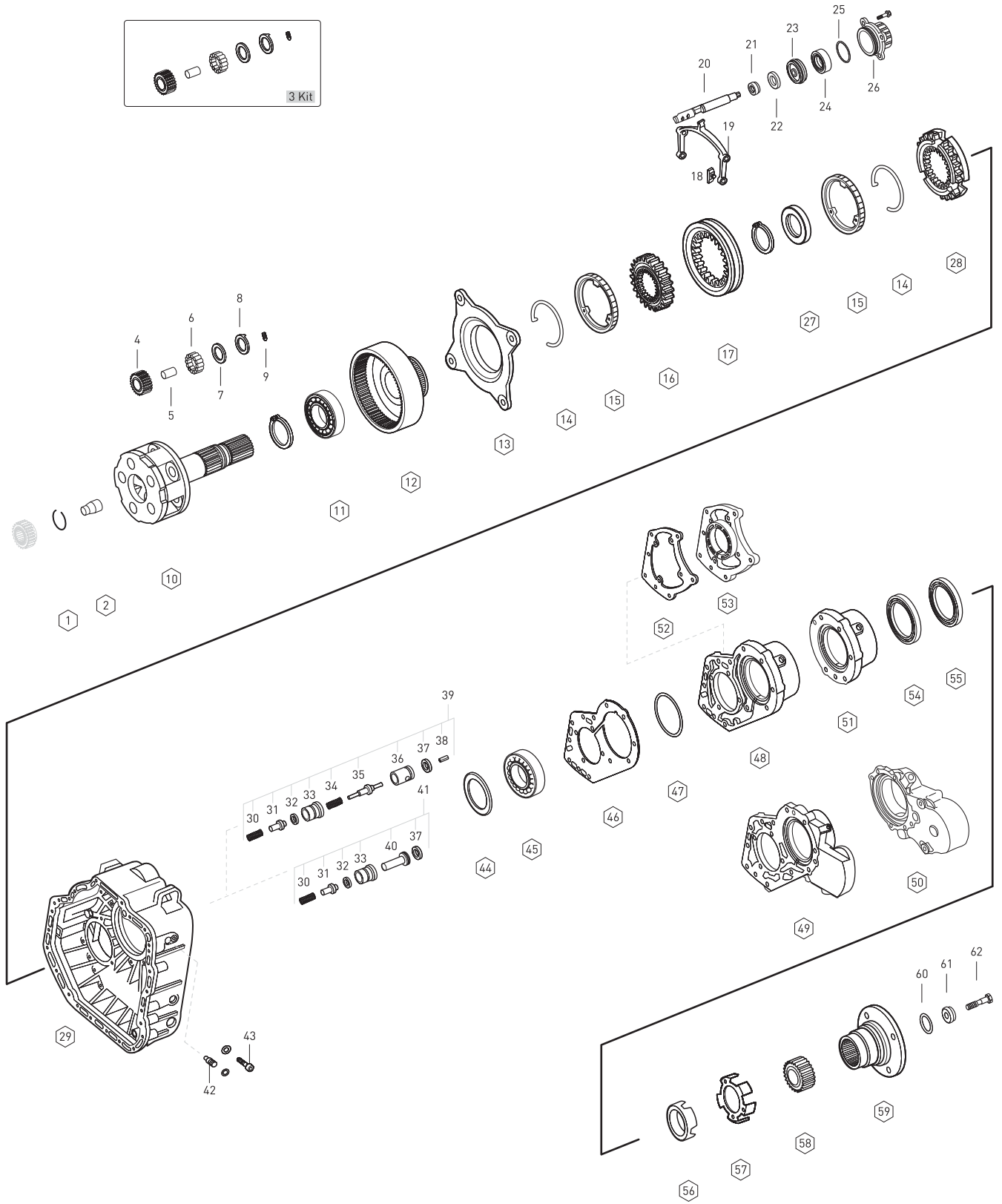
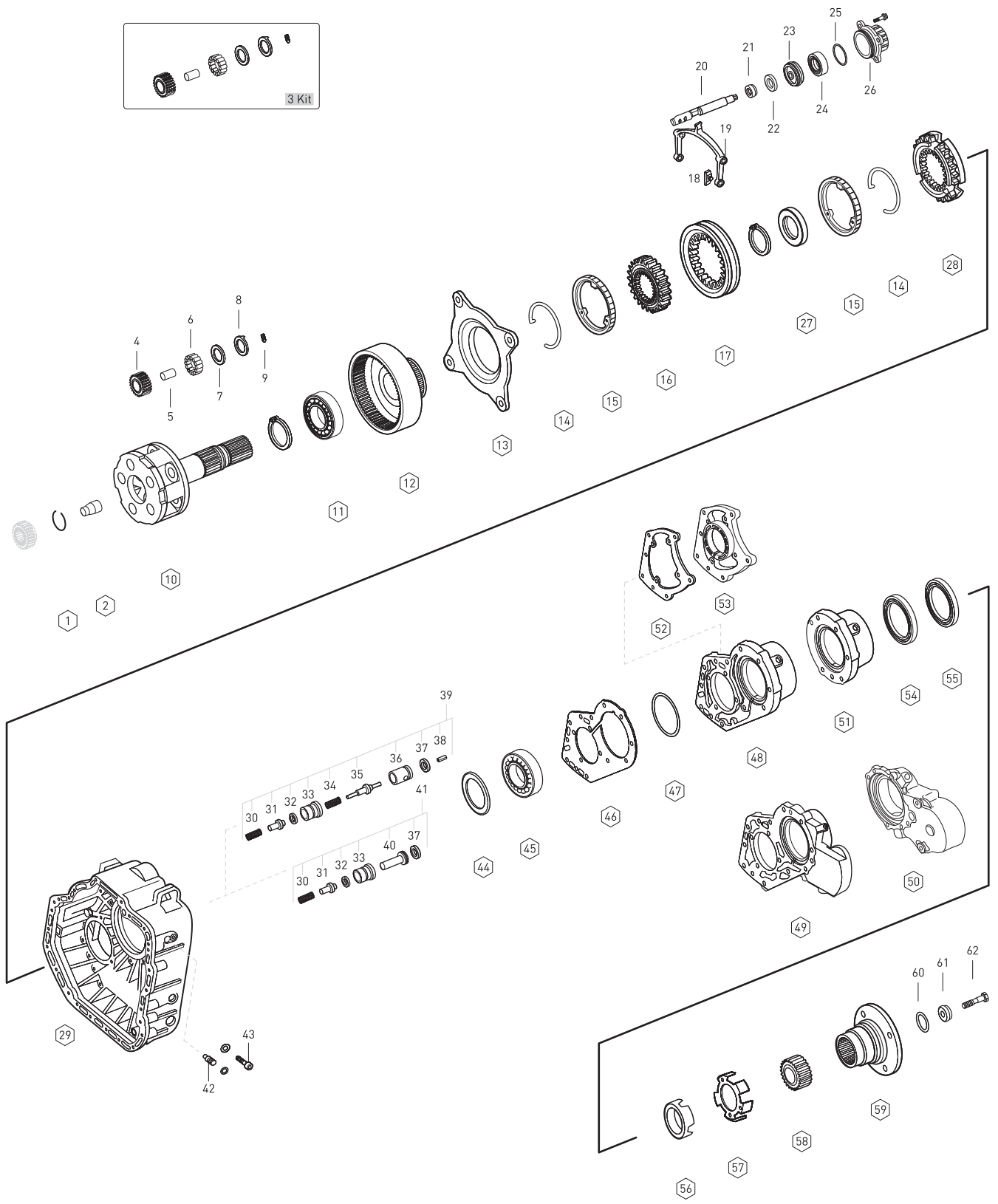


Fig.	o.	Oem No	Oem Old No	Pcs	Description	Sizes	Notes	[X1] : G155-16/14.0	[X2] : G155-16/14.0	[X3] : G155-16/14.0	[X4] : G155-16/14.0	[X5] : G155-16/11.9	[X6] : G155-16/11.9	[X7] : G155-16/11.9
41		655 260 0057		1	VALVE KIT			◆	◆	◆	◆	◆	◆	◆
42		389 265 0974		2	PIN			◆	◆	◆	◆	◆	◆	◆
42		945 265 1474	(945 265 1774)	2	PIN			◆	◆	◆	◆	◆	◆	◆
			(389 265 2874)											
43		007984 008 013		2	SCREW			◆	◆	◆	◆	◆	◆	◆
44		389 262 3954		1	THRUST WASHER	3.50mm	(10)	◆	◆	◆	◆	◆	◆	◆
44		389 262 5252		1	THRUST WASHER		(8)	◆	◆	◆	◆	◆	◆	◆
45		004 981 8525		1	ROLLER BEARING			◆	◆	◆	◆	◆	◆	◆
45		004 981 8925		1	ROLLER BEARING			◆	◆	◆	◆	◆	◆	◆
45		004 981 9325		1	ROLLER BEARING			◆	◆	◆	◆	◆	◆	◆
46		389 261 1180		1	GASKET		(11)	◆	◆	◆	◆	◆	◆	◆
47		389 262 7754		1	THRUST WASHER	1.40mm		◆	◆	◆	◆	◆	◆	◆
47		389 262 5152		1	THRUST WASHER	0.80mm		◆	◆	◆	◆	◆	◆	◆
47		389 262 5052		1	THRUST WASHER	0.40mm		◆	◆	◆	◆	◆	◆	◆
47		389 262 7654		1	THRUST WASHER	0.25mm		◆	◆	◆	◆	◆	◆	◆
47		389 262 4952		1	THRUST WASHER	0.20mm		◆	◆	◆	◆	◆	◆	◆
47		389 262 4852		1	THRUST WASHER	0.15mm		◆	◆	◆	◆	◆	◆	◆
47		389 262 4752		1	THRUST WASHER	0.10mm		◆	◆	◆	◆	◆	◆	◆
48		389 261 0320	(389 261 0220)	1	COVER		(11)	◆	◆			◆	◆	
49		655 260 0016	(387 261 2820)	1	COVER		(13)			◆	◆			◆
50		389 261 1120		1	COVER		(14)			◆	◆			◆
51		389 261 1920	(389 261 0520)	1	COVER		(12)	◆	◆			◆	◆	
			(389 261 0420)											
52		945 261 0080	(389 261 1980)	1	GASKET	(PTO)	(12)	◆	◆	◆	◆	◆	◆	◆
			(389 261 1480)											
			(389 261 0780)											
52		389 261 1280		1	GASKET	(PTO)	(11)	◆	◆	◆	◆	◆	◆	◆
53		945 261 1033		1	COVER	(PTO)	(12)	◆	◆	◆	◆	◆	◆	◆
53		389 261 2433	(389 261 1033)	1	COVER	(PTO)		◆	◆	◆	◆	◆	◆	◆
			(389 261 2333)											
			(389 261 0933)											
53		389 261 0433	(389 261 0233)	1	COVER	(PTO)	(11)	◆	◆	◆	◆	◆	◆	◆
54		013 997 5547		1	OIL SEAL			◆	◆	◆	◆	◆	◆	◆
54		013 997 7247		1	OIL SEAL			◆	◆	◆	◆	◆	◆	◆
54		014 997 1947		1	OIL SEAL			◆	◆	◆	◆	◆	◆	◆
55		015 997 4247		1	OIL SEAL			◆	◆	◆	◆	◆	◆	◆
55		013 997 7347		1	OIL SEAL			◆	◆	◆	◆	◆	◆	◆
55		013 997 5647		1	OIL SEAL			◆	◆	◆	◆	◆	◆	◆
56		945 262 0528	(389 260 0150)	1	PULSE STAR			◆	◆			◆	◆	
57		387 262 0828	(387 262 0428)	1	PULSE STAR	(PTO)				◆	◆			◆
58		389 264 0021		1	GEAR	(PTO)				◆	◆			◆

NOTES :

- [X1] : for gearbox numbered label no 714701 EPS
- [X2] : for gearboxes numbered label nos 714702 MPS, 714710-19 NA 4/120-1 C
- [X3] : for gearboxes numbered label nos 714711-90 MPS, 714714-91 NA 4/120-1 C/Z
- [X4] : for gearboxes numbered label nos 714712-13 EPS
- [X5] : for gearboxes numbered label nos 714705-09-15-82-87 MPS, 714716-86 NA 4/120-1 C
- [X6] : for gearboxes numbered label nos 714704-92 EPS
- [X7] : for gearbox numbered label no 714717 NA 4/120-1 C/Z
- (8) to gearbox number of 070883
- (10) from gearbox number of 070884
- (11) to gearbox number of 206784
- (12) from gearbox number of 206785
- (13) to gearbox number of 323551
- (14) from gearbox number of 323552

# GEARBOX G155-16





# GEARBOX G155-16

SYNCHRONIZER KIT CONST.

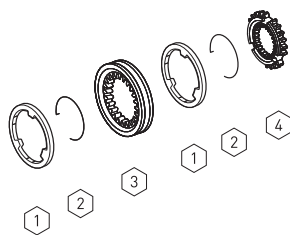


Fig.	o. Oem No	Oem Old No	Pcs	Description
	<b>2106190</b>		Kit	SYNCHRONIZER KIT Const
1	<b>389 262 0637</b>		2	SYNCHRONIZING CONE
2	<b>387 262 1093</b>		2	SPRING
3	<b>389 262 3023</b>	<b>(389 262 2223)</b>	1	ENGAGING SLEEVE
		<b>(389 262 0623)</b>		
4	<b>389 262 5634</b>	<b>(389 262 3934)</b>	1	ENGAGING RING

SYNCHRONIZER KIT 3rd/4th

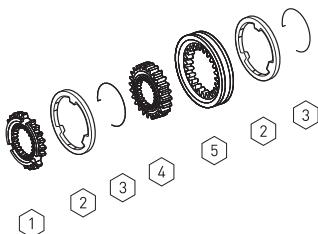


Fig.	o. Oem No	Oem Old No	Pcs	Description
	<b>2106191</b>		Kit	SYNCH.KIT 3rd/4th
1	<b>389 262 5634</b>	<b>(389 262 3934)</b>	1	ENGAGING RING
2	<b>389 262 0637</b>		2	SYNCHRONIZING CONE
3	<b>387 262 1093</b>		2	SPRING
4	<b>389 262 0635</b>		1	GUIDE SLEEVE
5	<b>389 262 3023</b>	<b>(389 262 2223)</b>	1	ENGAGING SLEEVE
		<b>(389 262 0623)</b>		

SYNCHRONIZER KIT 1st/2nd

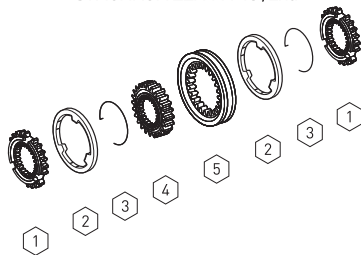


Fig.	o. Oem No	Oem Old No	Pcs	Description
	<b>2106192</b>		Kit	SYNCH.KIT 1st/2nd
1	<b>945 262 0434</b>	<b>(389 262 0034)</b>	2	ENGAGING RING
2	<b>389 262 0737</b>		2	SYNCHRONIZING CONE
3	<b>387 262 0893</b>		2	SPRING
4	<b>389 262 0035</b>		1	GUIDE SLEEVE
5	<b>389 262 2923</b>	<b>(389 262 0723)</b>	1	ENGAGING SLEEVE

SYNCHRONIZER KIT PLANETARY  
NEW MODEL

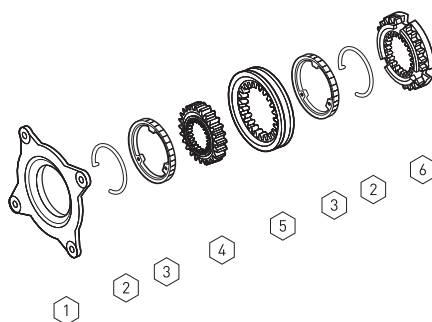


Fig.	o. Oem No	Oem Old No	Pcs	Description
	<b>2106193</b>		Kit	SYNCH.KIT PLANETARY
1	<b>389 260 2036</b>		1	FOLLOWER RING
2	<b>389 262 0293</b>		2	SPRING
3	<b>389 262 0537</b>		2	SYNCHRONIZING CONE
4	<b>389 262 4935</b>	<b>(389 262 2035)</b>	1	GUIDE SLEEVE
5	<b>945 262 6623</b>	<b>(945 262 2623)</b>	1	ENGAGING SLEEVE
		<b>(945 262 0823)</b>		
		<b>(389 262 3823)</b>		
		<b>(389 262 3623)</b>		
		<b>(389 262 1623)</b>		
6	<b>389 262 9134</b>		1	ENGAGING RING

SYNCHRONIZER KIT PLANETARY  
NEW MODEL

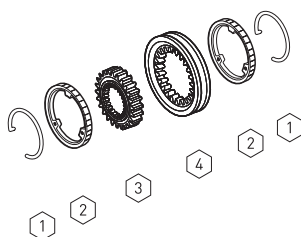


Fig.	o. Oem No	Oem Old No	Pcs	Description
	<b>2106194</b>		Kit	SYNCH.KIT PLANETARY
1	<b>389 262 0293</b>		2	SPRING
2	<b>389 262 0537</b>		2	SYNCHRONIZING CONE
3	<b>389 262 4935</b>	<b>(389 262 2035)</b>	1	GUIDE SLEEVE
4	<b>945 262 6623</b>	<b>(945 262 2623)</b>	1	ENGAGING SLEEVE
		<b>(945 262 0823)</b>		
		<b>(389 262 3823)</b>		
		<b>(389 262 3623)</b>		
		<b>(389 262 1623)</b>		



Fig.	o. Oem No	Oem Old No	Pcs	Description
	<b>2106195</b>		Kit	SYNCH.KIT PLANETARY
1	<b>389 260 2036</b>		1	FOLLOWER RING
2	<b>389 262 0293</b>		2	SPRING
3	<b>389 262 0537</b>		2	SYNCHRONIZING CONE
4	<b>389 262 4935</b>	<b>(389 262 2035)</b>	1	GUIDE SLEEVE
5	<b>945 262 6623</b>	<b>(945 262 2623)</b>	1	ENGAGING SLEEVE
		<b>(945 262 0823)</b>		
		<b>(389 262 3823)</b>		
		<b>(389 262 3623)</b>		
		<b>(389 262 1623)</b>		
6	<b>389 262 4034</b>		1	ENGAGING RING

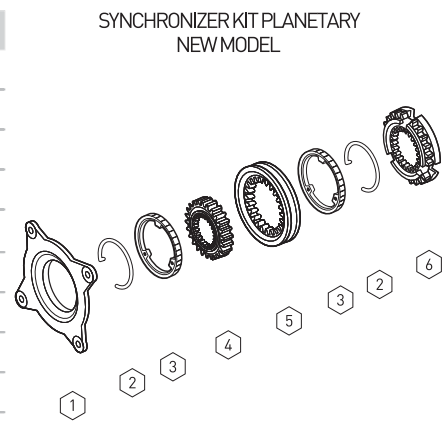


Fig.	o. Oem No	Oem Old No	Pcs	Description
	<b>2106196</b>		Kit	SYNCH.KIT PLANETARY
1	<b>389 262 0293</b>		2	SPRING
2	<b>389 262 0537</b>		2	SYNCHRONIZING CONE
3	<b>389 262 0535</b>		1	GUIDE SLEEVE
4	<b>389 262 1523</b>	<b>(389 262 0123)</b>	1	ENGAGING SLEEVE



Fig.	o. Oem No	Oem Old No	Pcs	Description
	<b>2106197</b>		Kit	SYNCH.KIT PLANETARY
1	<b>389 260 0936</b>		1	FOLLOWER RING
2	<b>389 262 0293</b>		2	SPRING
3	<b>389 262 0537</b>		2	SYNCHRONIZING CONE
4	<b>389 262 0535</b>		1	GUIDE SLEEVE
5	<b>389 262 1523</b>	<b>(389 262 0123)</b>	1	ENGAGING SLEEVE
6	<b>389 262 2334</b>	<b>(389 262 1934)</b>	1	ENGAGING RING

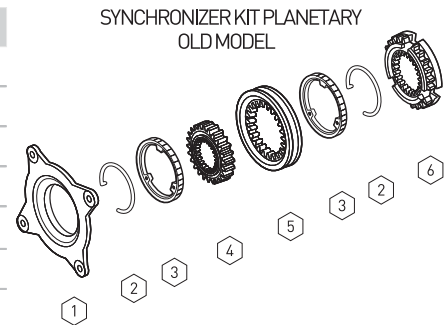
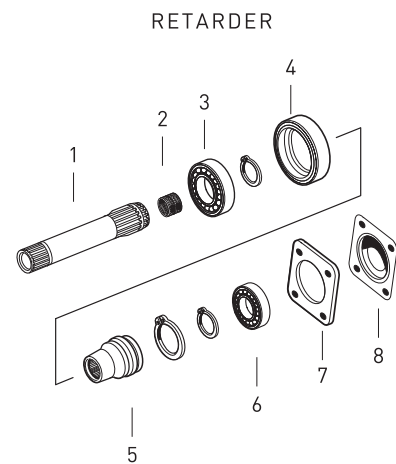


Fig.	o. Oem No	Oem Old No	Pcs	Description
1	<b>945 264 0305</b>		1	INTERM.SHAFT
1	<b>389 264 0505</b>		1	INTERM.SHAFT
1	<b>K21.03493 389 264 0205</b>	<b>(387 264 0405)</b>	1	INTERM.SHAFT
2	<b>013 981 0610</b>		1	NEEDLE CAGE
3	<b>008 981 3225</b>		1	ROLLER BEARING
4	<b>945 264 0687</b>	<b>(389 264 0587)</b>	1	RING
5	<b>389 264 0223</b>		1	SLIDING COLLAR
6	<b>006 981 2525</b>		1	ROLLER BEARING
7	<b>389 264 0780</b>		1	GASKET
8	<b>945 264 0611</b>		1	COVER
8	<b>389 264 0311</b>		1	COVER



# GEARBOX G180-16

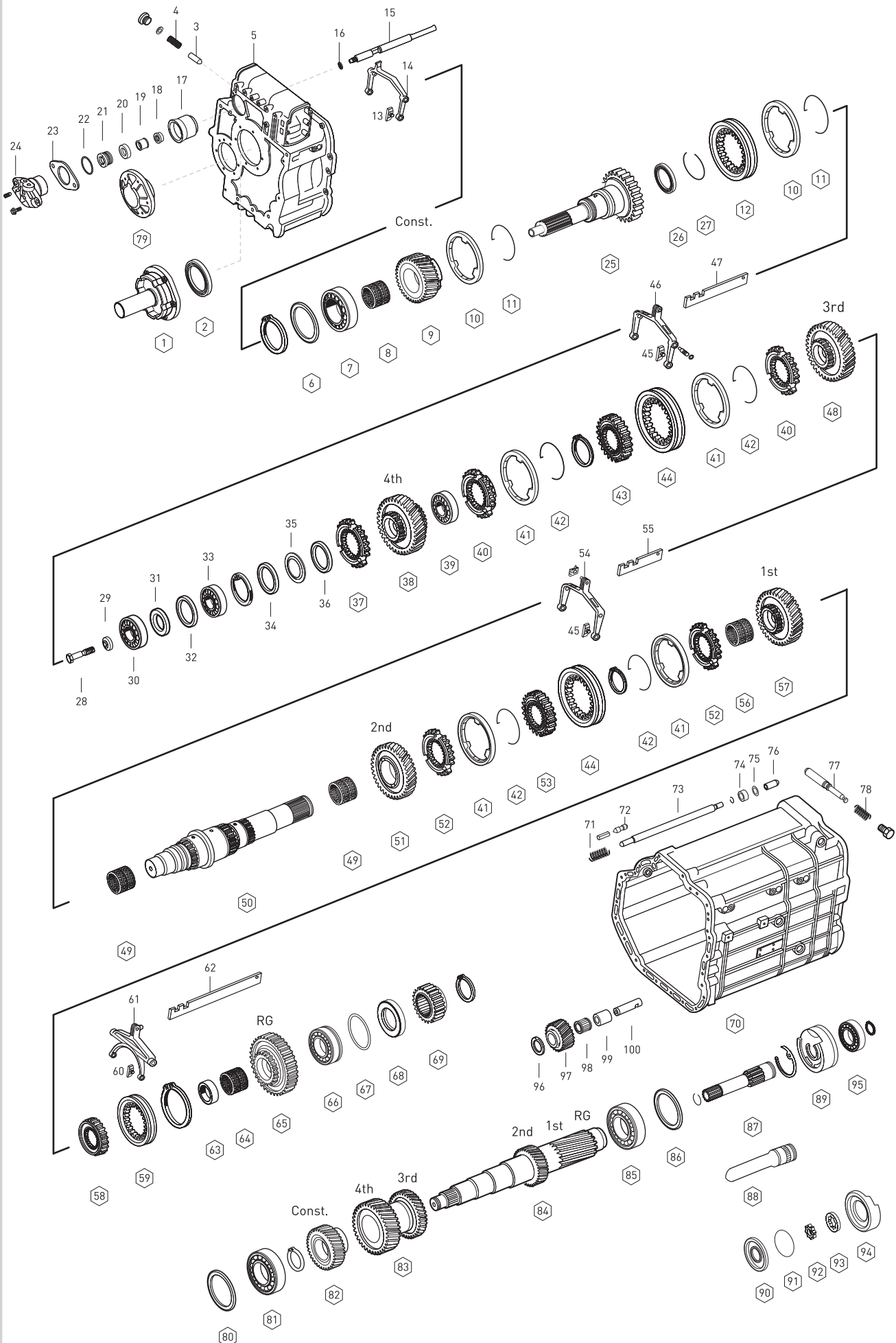


Fig.	Oem No	Oem Old No	Pcs	Description	Sizes	Notes	[X1] : G180-16/14.0	[X2] : G180-16/14.0	[X3] : G180-16/11.9	[X4] : G180-16/11.9	[X5] : G180-16/11.9
1	389 261 3318		1	COVER		(1)	◆	◆	◆	◆	◆
1	389 261 1018		1	COVER		(2)	◆	◆	◆	◆	◆
2	015 997 2748		1	OIL SEAL		(1)	◆	◆	◆	◆	◆
2	015 997 1647	(015 997 0647)	1	OIL SEAL		(2)	◆	◆	◆	◆	◆
3	389 267 1174	(387 267 0034)	1	PIN			◆	◆	◆	◆	◆
4	387 993 4401		1	SPRING	9.8X63.3mm		◆	◆	◆	◆	◆
4	387 993 4501		1	SPRING	6.2X63.0mm		◆	◆	◆	◆	◆
5	389 261 1702		1	HOUSING		(3)	◆	◆	◆	◆	◆
5	389 261 5902	(389 261 4502)	1	HOUSING		(4)	◆	◆	◆	◆	◆
		(389 261 5702)									
		(389 261 2802)									
5	389 261 0008		1	HOUSING		(4)(9)	◆	◆	◆	◆	◆
5	389 261 4902	(389 261 3802)	1	HOUSING		(5)(18)	◆	◆	◆	◆	◆
5	389 261 9602	(389 261 0308)	1	HOUSING		(6)	◆	◆	◆	◆	◆
6	389 262 1954		1	SHIM	0.45mm	(7)	◆	◆	◆	◆	◆
6	389 262 2054		1	SHIM	0.50mm	(7)	◆	◆	◆	◆	◆
6	389 262 2154		1	SHIM	0.55mm	(7)	◆	◆	◆	◆	◆
6	389 262 2254		1	SHIM	0.60mm	(7)	◆	◆	◆	◆	◆
6	389 262 2354		1	SHIM	0.65mm	(7)	◆	◆	◆	◆	◆
6	389 262 2454		1	SHIM	0.70mm	(7)	◆	◆	◆	◆	◆
6	389 262 2554		1	SHIM	0.75mm	(7)	◆	◆	◆	◆	◆
6	389 262 2654		1	SHIM	2.00mm	(7)	◆	◆	◆	◆	◆
6	389 262 3055		1	SHIM	0.25mm	(8)	◆	◆	◆	◆	◆
6	389 262 3255		1	SHIM	0.31mm	(8)	◆	◆	◆	◆	◆
6	389 262 3555		1	SHIM	0.40mm	(8)	◆	◆	◆	◆	◆
7	014 981 9005	(011 981 1305)	1	ROLLER BEARING	75X140X30mm		◆	◆	◆	◆	◆
8	008 981 9410	(019 981 0810)	1	NEEDLE CAGE	85X93X37mm		◆	◆	◆	◆	◆
9	389 262 7710	(389 262 2710)	1	CONSTANT GEAR		(5)			◆	◆	◆
9	389 262 2910	(389 262 1010)	1	CONSTANT GEAR		(9)			◆	◆	
9	389 262 2210		1	CONSTANT GEAR		(5)	◆	◆			
9	389 262 2810	(389 262 3010)	1	CONSTANT GEAR		(9)	◆	◆			
		(389 262 0910)									
10	389 262 0637		2	SYNCHRONIZING CONE	177.0mm		◆	◆	◆	◆	◆
11	387 262 1093		2	SPRING			◆	◆	◆	◆	◆
12	389 262 3023	(389 262 2223)	1	ENGAGING SLEEVE		(10)	◆	◆	◆	◆	◆
		(389 262 0623)									
12	387 262 1523	(387 262 0523)	1	ENGAGING SLEEVE		(11)	◆	◆	◆	◆	◆
13	389 265 1249	(389 265 0949)	2	SLIDING PAD			◆	◆	◆	◆	◆
14	389 265 0601		1	GEAR SHIT FORK			◆	◆	◆	◆	◆
15	389 267 2117		1	G.SHIFT RAIL		(9)	◆		◆		
15	389 267 2217		1	G.SHIFT RAIL		(5)	◆		◆		

**NOTES :**

- [X1] : for gearbox numbered label no 714706 EPS
- [X2] : for gearbox numbered label no 714707 MPS
- [X3] : for gearboxes numbered label nos 714700-95 EPS
- [X4] : for gearboxes numbered label nos 714703-96 MPS, 714794-97 NA 4/120-1 C
- [X5] : for gearboxes numbered label nos 714780-81 MPS, 714789-98-99 NA 4/120-1 C
- (1) from gearbox number of 125575 (7) to gearbox number of 375914
- (2) to gearbox number of 125574 (8) from gearbox number of 375915
- (3) to gearbox number of 058717 (9) to gearbox number of 182425
- (4) from gearbox number of 058718 (10) from gearbox number of 058289
- (5) from gearbox number of 182426 (11) to gearbox number of 058288
- (6) from gearbox number of 380571 (18) to gearbox number of 380570

G180-16

r.

# GEARBOX G180-16

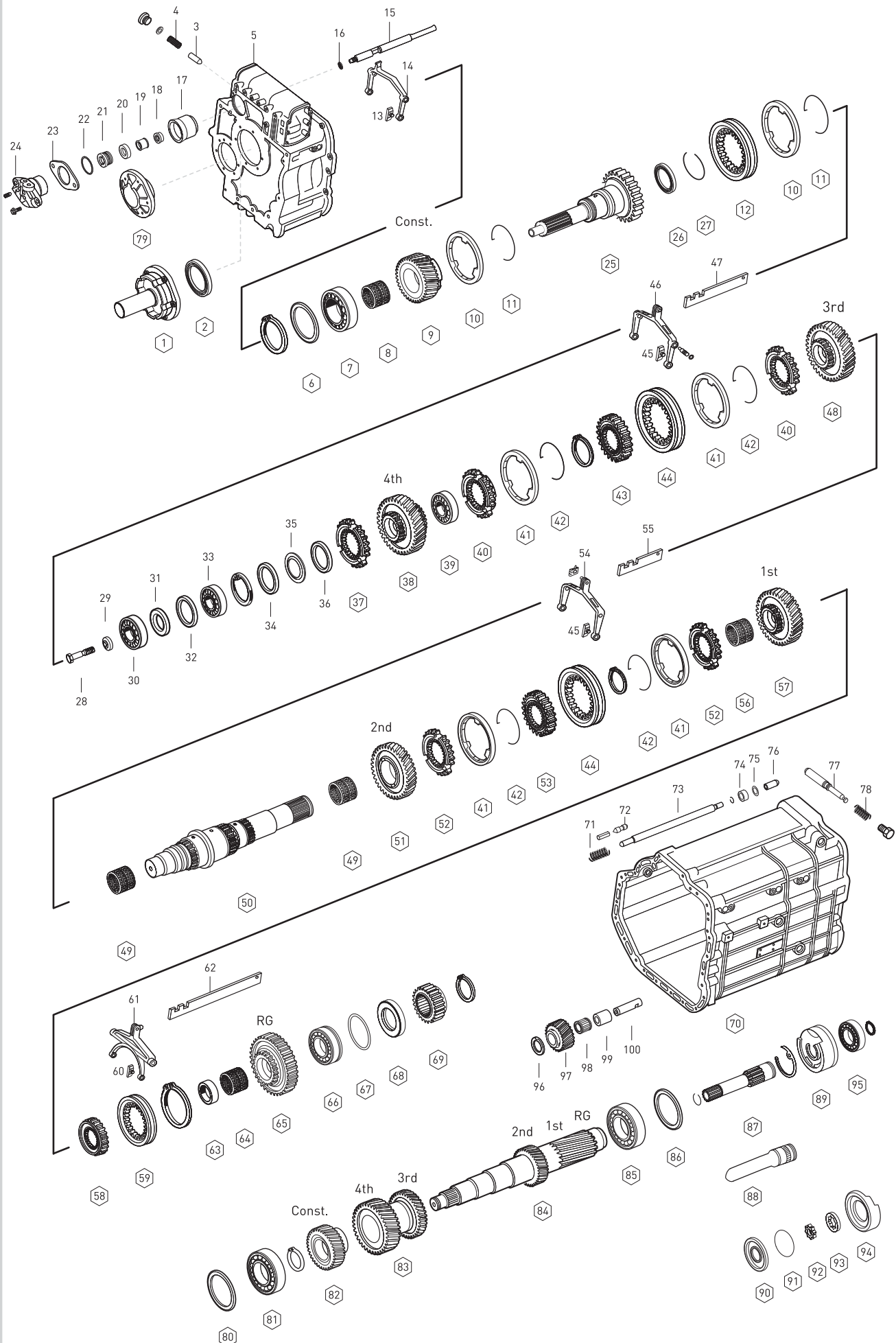


Fig.	Oem No	Oem Old No	Pcs	Description	Sizes	Notes	[X1] : G180-16/14.0	[X2] : G180-16/14.0	[X3] : G180-16/11.9	[X4] : G180-16/11.9	[X5] : G180-16/11.9
15	389 267 1917		1	G.SHIFT RAIL		(9)	◆	◆			
15	389 267 2017		1	G.SHIFT RAIL		(5)	◆	◆			
15	389 267 2917		1	G.SHIFT RAIL		(9)				◆	
15	389 267 3017		1	G.SHIFT RAIL		(5)				◆	◆
16	387 263 2652		1	SPACER WASHER	0.20mm		◆	◆	◆	◆	◆
16	387 263 2752		1	SPACER WASHER	0.40mm		◆	◆	◆	◆	◆
16	387 263 2852		1	SPACER WASHER	0.60mm		◆	◆	◆	◆	◆
16	387 263 3052		1	SPACER WASHER	1.00mm		◆	◆	◆	◆	◆
17	389 267 3319	(389 267 2119)	1	CYLINDER			◆	◆	◆	◆	◆
		(389 267 2219)									
		(389 267 0419)									
18	000 267 0197	(000 267 0397)	1	FLANGE PACKING			◆	◆	◆	◆	◆
19	387 267 0650		1	BUSHING			◆	◆	◆	◆	◆
20	012 997 3347	(006 997 6447)	1	DOUBLE PACKING			◆	◆	◆	◆	◆
21	945 267 0218	(387 267 0918)	1	PISTON			◆	◆	◆	◆	◆
		(387 267 0618)									
22	007 997 4248		1	O-RING			◆	◆	◆	◆	◆
23	387 263 3352		1	SPACER WASHER	0.20mm		◆	◆	◆	◆	◆
23	387 263 3452		1	SPACER WASHER	0.40mm		◆	◆	◆	◆	◆
23	387 263 3552		1	SPACER WASHER	0.60mm		◆	◆	◆	◆	◆
23	387 263 3752		1	SPACER WASHER	1.00mm		◆	◆	◆	◆	◆
24	389 267 2819	(389 267 2719)	1	COVER			◆	◆	◆	◆	◆
		(389 267 2419)									
		(389 267 2319)									
		(389 267 1519)									
25	389 262 2901		1	INPUT SHAFT		(5)	◆	◆	◆	◆	◆
25	389 262 3701	(389 262 1201)	1	INPUT SHAFT		(9)	◆	◆	◆	◆	◆
26	000 262 8762	(019 997 2147)	1	OIL SEAL		(9)	◆	◆	◆	◆	◆
		(019 997 2047)									
26	018 997 7547	(018 997 7147)	1	OIL SEAL		(5)	◆	◆	◆	◆	◆
27	389 262 0973		1	LOCK RING		(5)	◆	◆	◆	◆	◆
28	389 990 1819		1	SCREW [Bolts -L- teeth]		(12)	◆	◆	◆	◆	◆
28	389 990 0119		1	SCREW [Bolts -R- teeth]		(13)	◆	◆	◆	◆	◆
29	389 262 0062		1	WASHER			◆	◆	◆	◆	◆
30	008 981 2805	(008 981 4005)	1	ROLLER BEARING	40X90.97X32mm	(9)	◆	◆	◆	◆	◆
31	389 262 6454		1	THRUST WASHER	2.50 mm		◆	◆	◆	◆	◆
31	389 262 5552		1	THRUST WASHER	1.20 mm		◆	◆	◆	◆	◆
31	2104149		1	THRUST WASHER	1.10 mm		◆	◆	◆	◆	◆
31	2104148		1	THRUST WASHER	1.00 mm		◆	◆	◆	◆	◆
31	2104147		1	THRUST WASHER	0.90 mm		◆	◆	◆	◆	◆
31	389 262 5652		1	THRUST WASHER	0.80 mm		◆	◆	◆	◆	◆

NOTES :

- [X1] : for gearbox numbered label no 714706 EPS
- [X2] : for gearbox numbered label no 714707 MPS
- [X3] : for gearboxes numbered label nos 714700-95 EPS
- [X4] : for gearboxes numbered label nos 714703-96 MPS, 714794-97 NA 4/120-1 C
- [X5] : for gearboxes numbered label nos 714780-81 MPS, 714789-98-99 NA 4/120-1 C
- (5) from gearbox number of 182426
- (9) to gearbox number of 182425
- (12) from gearbox number of 129659
- (13) to gearbox number of 129658

# GEARBOX G180-16

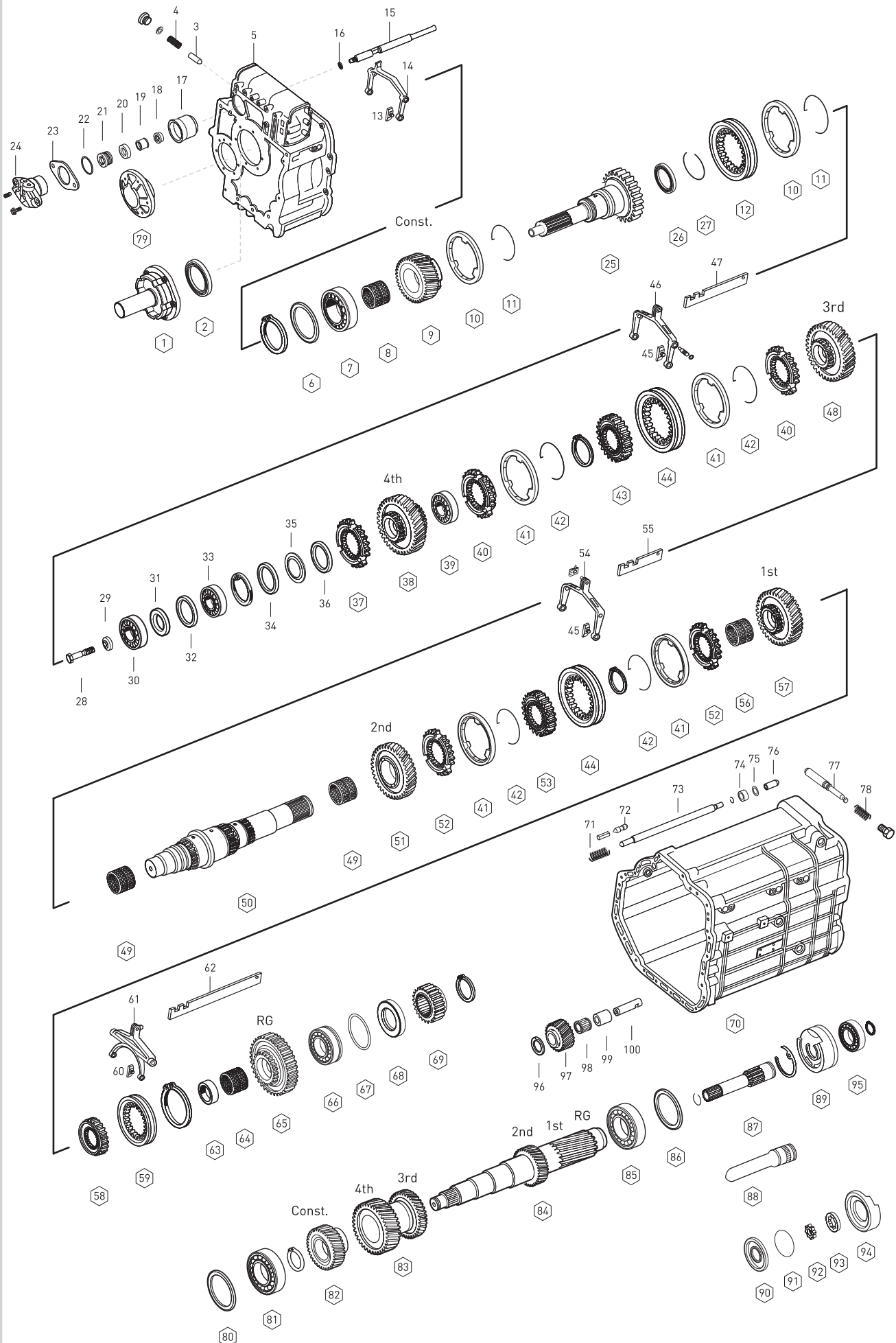


Fig.	o.	Oem No	Oem Old No	Pcs	Description	Sizes	Notes	[X1] : G180-16/14.0	[X2] : G180-16/14.0	[X3] : G180-16/11.9	[X4] : G180-16/11.9	[X5] : G180-16/11.9
31		389 262 2954		1	THRUST WASHER	0.70mm		◆	◆	◆	◆	◆
31		389 262 3054		1	THRUST WASHER	0.60mm		◆	◆	◆	◆	◆
31		389 262 5752		1	THRUST WASHER	0.50 mm		◆	◆	◆	◆	◆
31		389 262 7954		1	THRUST WASHER	0.30 mm		◆	◆	◆	◆	◆
31		389 262 5852		1	THRUST WASHER	0.20mm		◆	◆	◆	◆	◆
31		389 262 5952		1	THRUST WASHER	0.10mm		◆	◆	◆	◆	◆
32		389 262 3352		1	THRUST WASHER	2.50mm		◆	◆	◆	◆	◆
32		389 262 3252		1	THRUST WASHER	2.00mm		◆	◆	◆	◆	◆
32		389 262 3152		1	THRUST WASHER	1.95mm		◆	◆	◆	◆	◆
32		389 262 3052		1	THRUST WASHER	1.90mm		◆	◆	◆	◆	◆
32		389 262 2952		1	THRUST WASHER	1.85mm		◆	◆	◆	◆	◆
32		389 262 2455		1	THRUST WASHER	1.82mm		◆	◆	◆	◆	◆
32		389 262 2355		1	THRUST WASHER	1.79mm		◆	◆	◆	◆	◆
32		389 262 2255		1	THRUST WASHER	1.76mm		◆	◆	◆	◆	◆
32		389 262 2155		1	THRUST WASHER	1.73mm		◆	◆	◆	◆	◆
32		389 262 2055		1	THRUST WASHER	1.67mm		◆	◆	◆	◆	◆
32		389 262 1955		1	THRUST WASHER	1.64mm		◆	◆	◆	◆	◆
32		389 262 1855		1	THRUST WASHER	1.61mm		◆	◆	◆	◆	◆
32		389 262 1755		1	THRUST WASHER	1.58mm		◆	◆	◆	◆	◆
32		389 262 2352		1	THRUST WASHER	1.55mm		◆	◆	◆	◆	◆
32		389 262 1655		1	THRUST WASHER	1.52mm		◆	◆	◆	◆	◆
32		389 262 1555		1	THRUST WASHER	1.49mm		◆	◆	◆	◆	◆
32		389 262 1455		1	THRUST WASHER	1.46mm		◆	◆	◆	◆	◆
32		389 262 1355		1	THRUST WASHER	1.43mm		◆	◆	◆	◆	◆
32		389 262 2052		1	THRUST WASHER	1.40mm		◆	◆	◆	◆	◆
32		389 262 1952		1	THRUST WASHER	1.35mm		◆	◆	◆	◆	◆
32		389 262 2754		1	THRUST WASHER	1.30mm		◆	◆	◆	◆	◆
32		389 262 3654		1	THRUST WASHER	1.25mm		◆	◆	◆	◆	◆
32		389 262 3554		1	THRUST WASHER	1.20mm		◆	◆	◆	◆	◆
32		389 262 3454		1	THRUST WASHER	1.15mm		◆	◆	◆	◆	◆
32		389 262 3354		1	THRUST WASHER	1.10mm		◆	◆	◆	◆	◆
32		389 262 3254		1	THRUST WASHER	1.05mm		◆	◆	◆	◆	◆
32		389 262 2854		1	THRUST WASHER	0.50mm		◆	◆	◆	◆	◆
33		014 981 1505		1	ROLLER BEARING	55X90X23mm		◆	◆	◆	◆	◆
34		389 262 1251		1	THRUST WASHER	2.20mm		◆	◆	◆	◆	◆
34		389 262 2151		1	THRUST WASHER	2.15mm		◆	◆	◆	◆	◆
34		389 262 1151		1	THRUST WASHER	2.10mm		◆	◆	◆	◆	◆
34		389 262 2051		1	THRUST WASHER	2.05mm		◆	◆	◆	◆	◆
34		389 262 1051		1	THRUST WASHER	2.00mm		◆	◆	◆	◆	◆
34		389 262 0951		1	THRUST WASHER	1.90mm		◆	◆	◆	◆	◆
34		389 262 0851		1	THRUST WASHER	1.80mm		◆	◆	◆	◆	◆

NOTES :

[X1] : for gearbox numbered label no 714706 EPS

[X2] : for gearbox numbered label no 714707 MPS

[X3] : for gearboxes numbered label nos 714700-95 EPS

[X4] : for gearboxes numbered label nos 714703-96 MPS, 714794-97 NA 4/120-1 C

[X5] : for gearboxes numbered label nos 714780-81 MPS, 714789-98-99 NA 4/120-1 C

# GEARBOX G180-16

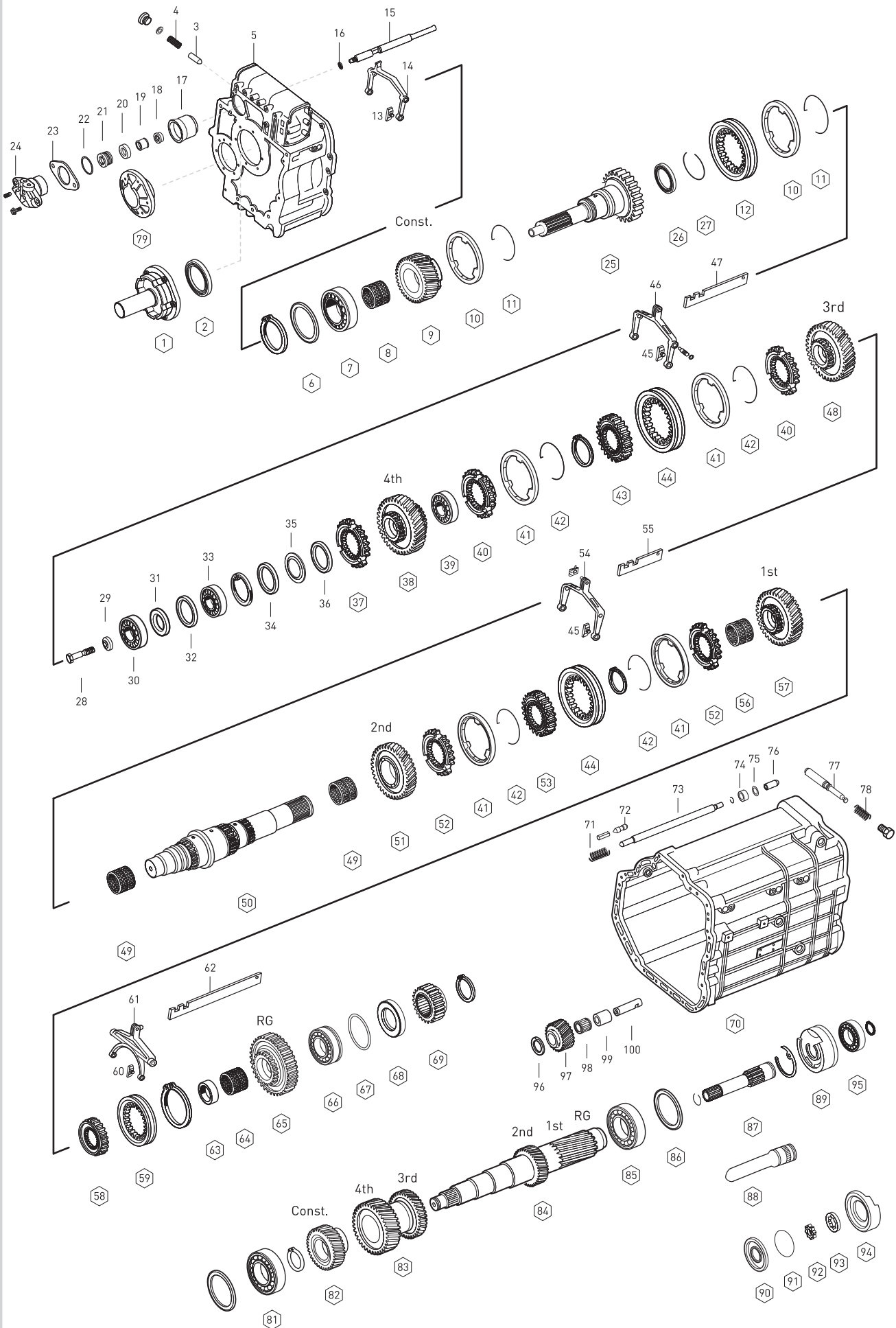




Fig	Oem No	Oem Old No	Pcs	Description	Sizes	Notes	[X1] : G180-16/14.0	[X2] : G180-16/14.0	[X3] : G180-16/11.9	[X4] : G180-16/11.9	[X5] : G180-16/11.9
34	389 262 1751		1	THRUST WASHER	1.75mm		◆	◆	◆	◆	◆
34	2104157		1	THRUST WASHER	1.60mm		◆	◆	◆	◆	◆
35	389 262 1854		1	SPACER WASHER	7.00mm		◆	◆	◆	◆	◆
36	389 262 2751		1	THRUST WASHER	5.40mm		◆	◆	◆	◆	◆
36	389 262 2951		1	THRUST WASHER	5.50mm		◆	◆	◆	◆	◆
36	389 262 3151		1	THRUST WASHER	5.60mm		◆	◆	◆	◆	◆
36	389 262 3351		1	THRUST WASHER	5.70mm		◆	◆	◆	◆	◆
36	389 262 3551		1	THRUST WASHER	5.80mm		◆	◆	◆	◆	◆
36	389 262 3751		1	THRUST WASHER	5.90mm		◆	◆	◆	◆	◆
36	389 262 3951		1	THRUST WASHER	6.00mm		◆	◆	◆	◆	◆
36	389 262 4151		1	THRUST WASHER	6.10mm		◆	◆	◆	◆	◆
36	389 262 4351		1	THRUST WASHER	6.20mm		◆	◆	◆	◆	◆
36	389 262 4551		1	THRUST WASHER	6.30mm		◆	◆	◆	◆	◆
36	389 262 4751		1	THRUST WASHER	6.40mm		◆	◆	◆	◆	◆
36	389 262 4951		1	THRUST WASHER	6.50mm		◆	◆	◆	◆	◆
36	389 262 5151		1	THRUST WASHER	6.60mm		◆	◆	◆	◆	◆
37	389 262 5634	(389 262 3934)	1	ENGAGING RING		(15)(14)	◆	◆	◆	◆	◆
38	389 262 5610	(389 262 4410)	1	GEAR 4th 24 T		(14)	◆	◆	◆	◆	◆
38	389 262 5510	(389 262 2310)	1	GEAR 4th 24 T		(5)(15)	◆	◆	◆	◆	◆
38	389 262 3710	(389 262 1710)	1	GEAR 4th 24 T		(10)(9)	◆	◆	◆	◆	◆
		(389 262 1610)									
38	389 262 1110	(389 262 0210)	1	GEAR 4th 24 T		(11)	◆	◆	◆	◆	◆
39	015 981 7705	(014 981 1605)	1	ROLLER BEARING			◆	◆	◆	◆	◆
40	945 262 0534	(389 262 5034)	2	ENGAGING RING	173.5mm	(14)	◆	◆	◆	◆	◆
41	389 262 0737		4	SYNCHRONIZING CONE	196.0mm	(14)	◆	◆	◆	◆	◆
42	387 262 0893		4	SPRING	167.0mm		◆	◆	◆	◆	◆
43	389 262 1535		1	GUIDE SLEEVE		(14)	◆	◆	◆	◆	◆
44	389 262 2923	(389 262 0723)	2	ENGAGING SLEEVE		(14)	◆	◆	◆	◆	◆
45	389 265 2349	(389 265 1149)	4	SLIDING PAD			◆	◆	◆	◆	◆
46	389 260 4230	(389 260 3030)	1	SHIFTING FORK		(14)	◆	◆	◆	◆	◆
47	389 265 6304		1	SHIFTING ROD		(10)	◆	◆	◆	◆	◆
47	389 265 3304		1	SHIFTING ROD		(11)	◆	◆	◆	◆	◆
48	389 262 2113		1	GEAR 3rd		(14)	◆	◆	◆	◆	◆
49	018 981 6610		2	NEEDLE CAGE	85X93X53mm		◆	◆	◆	◆	◆
50	389 262 1505		1	MAIN SHAFT (-L- teeth)		(12)	◆	◆	◆	◆	◆
50	389 262 1205		1	MAIN SHAFT (-R- teeth)		(13)	◆	◆	◆	◆	◆
51	389 262 1312	(389 262 1212)	1	GEAR 2nd		(10)	◆	◆	◆	◆	◆
51	389 262 0312	(389 262 0012)	1	GEAR 2nd		(11)	◆	◆	◆	◆	◆
52	945 262 0434	(389 262 0034)	2	ENGAGING RING			◆	◆	◆	◆	◆
53	389 262 0035		1	GUIDE SLEEVE			◆	◆	◆	◆	◆
54	389 260 4430	(389 260 0130)	1	SHIFTING FORK			◆	◆	◆	◆	◆

NOTES :

- [X1] : for gearbox numbered label no 714706 EPS
- [X2] : for gearbox numbered label no 714707 MPS
- [X3] : for gearboxes numbered label nos 714700-95 EPS
- [X4] : for gearboxes numbered label nos 714703-96 MPS, 714794-97 NA 4/120-1 C
- [X5] : for gearboxes numbered label nos 714780-81 MPS, 714789-98-99 NA 4/120-1 C
- (5) from gearbox number of 182426 (12) from gearbox number of 129659
- (9) to gearbox number of 182425 (13) to gearbox number of 129658
- (10) from gearbox number of 058289 (14) from gearbox number of 297457
- (11) to gearbox number of 058288 (15) to gearbox number of 297456

# GEARBOX G180-16

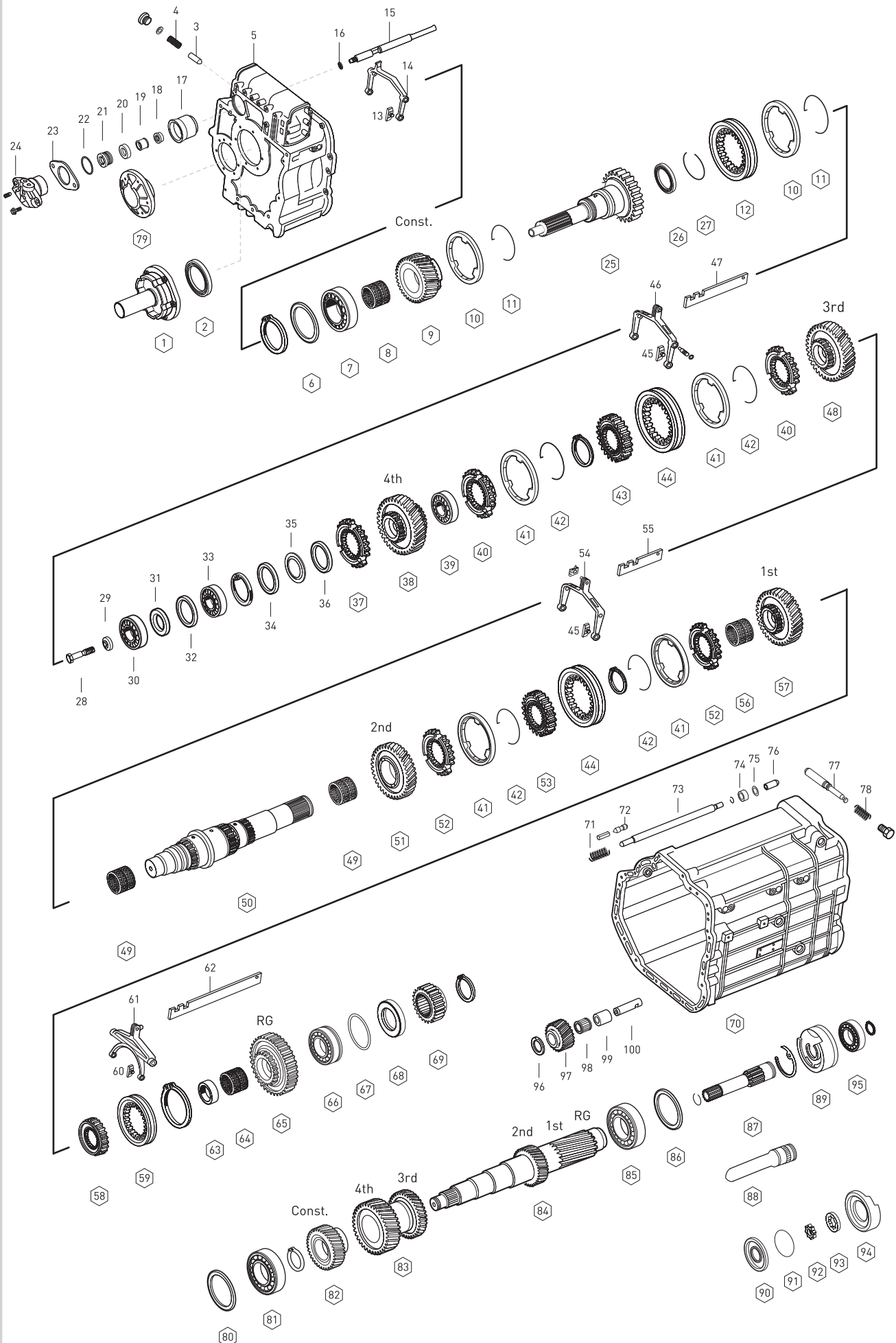


Fig	Oem No	Oem Old No	Pcs	Description	Sizes	Notes	[X1] : G180-16/14.0	[X2] : G180-16/14.0	[X3] : G180-16/11.9	[X4] : G180-16/11.9	[X5] : G180-16/11.9
55	389 265 6404		1	SHIFTING ROD		(10)	◆	◆	◆	◆	◆
55	389 265 3404		1	SHIFTING ROD		(11)	◆	◆	◆	◆	◆
56	017 981 0210	(019 981 0910)	1	NEEDLE CAGE	75X83X55mm		◆	◆	◆	◆	◆
		(012 981 9210)									
		(008 981 8310)									
		(019 981 4410)									
57	389 262 1611	(389 262 1511)	1	GEAR 1st		(10)	◆	◆	◆	◆	◆
57	389 262 0411	(389 262 0711)	1	GEAR 1st		(11)	◆	◆	◆	◆	◆
58	389 262 0135		1	HUB			◆	◆	◆	◆	◆
59	389 262 1823	(389 262 0923)	1	ENGAGING SLEEVE		(16)	◆		◆		
59	389 262 1723	(389 262 0023)	1	ENGAGING SLEEVE		(17)		◆		◆	◆
60	947 265 0249	(945 265 0149)	2	SLIDING PAD			◆	◆	◆	◆	◆
61	389 260 4730	(389 260 1630)	1	SHIFTING FORK			◆	◆	◆	◆	◆
62	389 265 3504		1	SHIFTING ROD			◆	◆	◆	◆	◆
63	389 262 2550	(389 262 1650)	1	BEARING RACE			◆	◆	◆	◆	◆
		(389 262 0050)									
64	009 981 1510	(017 981 7810)	1	NEEDLE CAGE	76X85X35mm		◆	◆	◆	◆	◆
65	389 262 1033		1	REVERSE GEAR		(16)	◆		◆		
65	389 262 0333	(389 262 0033)	1	REVERSE GEAR		(17)		◆		◆	◆
66	016 981 1305	(014 981 7505)	1	ROLLER BEARING	60X130X30mm		◆	◆	◆	◆	◆
67	389 262 3552		1	SHIM	0.10mm		◆	◆	◆	◆	◆
67	389 262 3652		1	SHIM	0.15mm		◆	◆	◆	◆	◆
67	389 262 3752		1	SHIM	0.20mm		◆	◆	◆	◆	◆
67	389 262 3852		1	SHIM	0.40mm		◆	◆	◆	◆	◆
67	389 262 3952		1	SHIM	0.80mm		◆	◆	◆	◆	◆
68	389 262 3754		1	THRUST WASHER		(5)	◆	◆	◆	◆	◆
68	389 262 0152		1	THRUST WASHER		(9)	◆	◆	◆	◆	◆
69	389 262 0209		1	SUN GEAR		(5)	◆	◆	◆	◆	◆
69	389 262 0409		1	SUN GEAR		(9)	◆	◆	◆	◆	◆
69	389 262 0009		1	SUN GEAR			◆	◆	◆	◆	◆
70	655 260 3623	(389 261 3126)	1	HOUSING		(6)	◆	◆	◆	◆	◆
70	389 261 2903	(389 261 3303)	1	HOUSING		(18)	◆	◆	◆	◆	◆
70	389 261 2603		1	HOUSING		(19)	◆	◆	◆	◆	◆
70	389 261 1703		1	HOUSING		(20)	◆	◆	◆	◆	◆
71	389 993 0501		1	SPRING				◆		◆	◆
72	389 267 0474		1	PIN				◆		◆	◆
73	389 268 4825		1	SHIFTING ROD				◆		◆	◆
74	389 268 0051		1	SPACER RING				◆		◆	◆
75	000988 006 019		1	FITTED WASHER	0.10mm			◆		◆	◆
75	000988 006 020		1	FITTED WASHER	0.20mm			◆		◆	◆
75	000988 006 021		1	FITTED WASHER	0.30mm			◆		◆	◆

NOTES :

- [X1] : for gearbox numbered label no 714706 EPS  
[X2] : for gearbox numbered label no 714707 MPS  
[X3] : for gearboxes numbered label nos 714700-95 EPS  
[X4] : for gearboxes numbered label nos 714703-96 MPS, 714794-97 NA 4/120-1 C  
[X5] : for gearboxes numbered label nos 714780-81 MPS, 714789-98-99 NA 4/120-1 C
- (5) from gearbox number of 182426 (16) from gearbox number of 151983  
(6) from gearbox number of 380571 (17) to gearbox number of 151982  
(9) to gearbox number of 182425 (18) to gearbox number of 380570  
(10) from gearbox number of 058289 (19) from gearbox number of 084294  
(11) to gearbox number of 058288 (20) to gearbox number of 084293

# GEARBOX G180-16

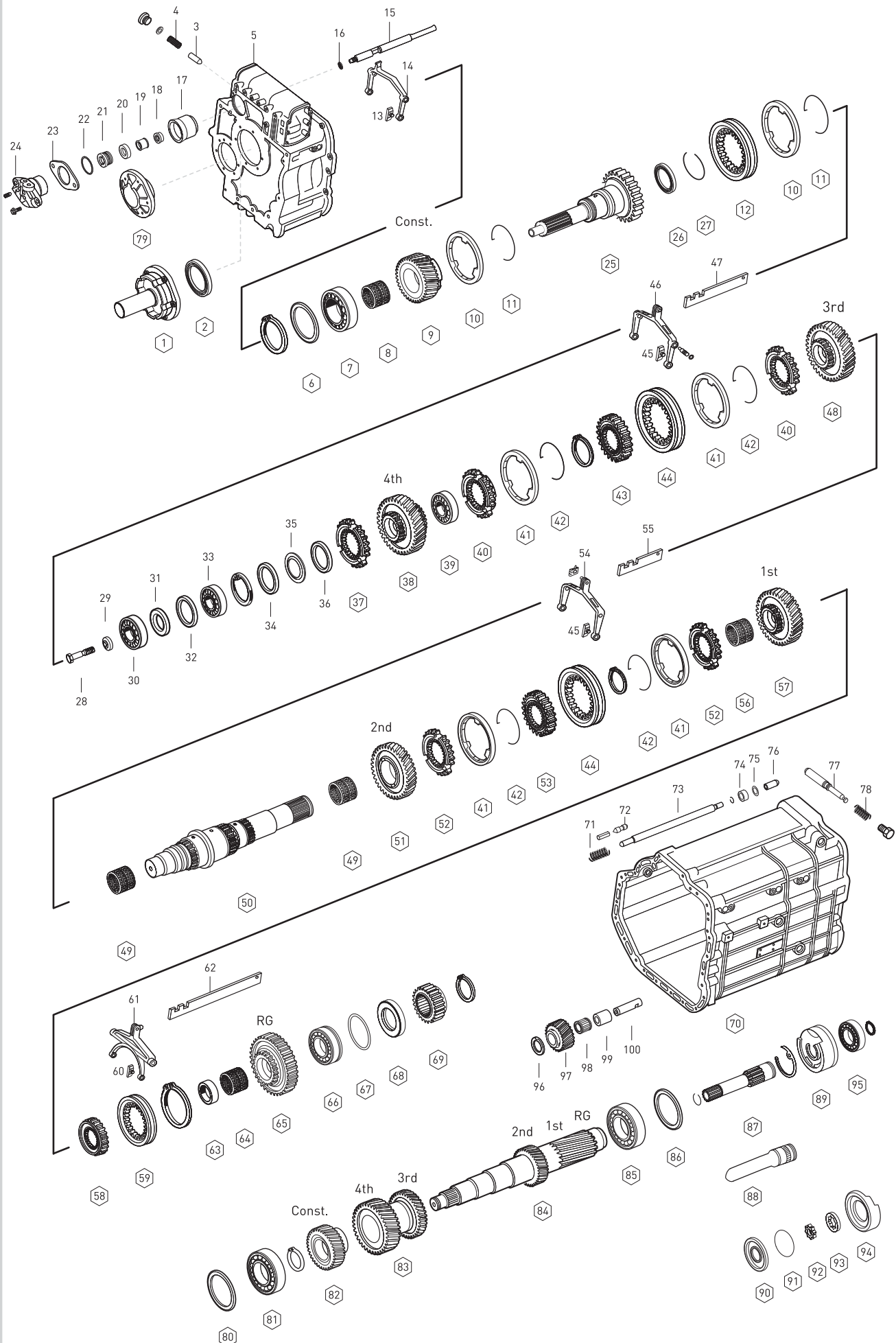
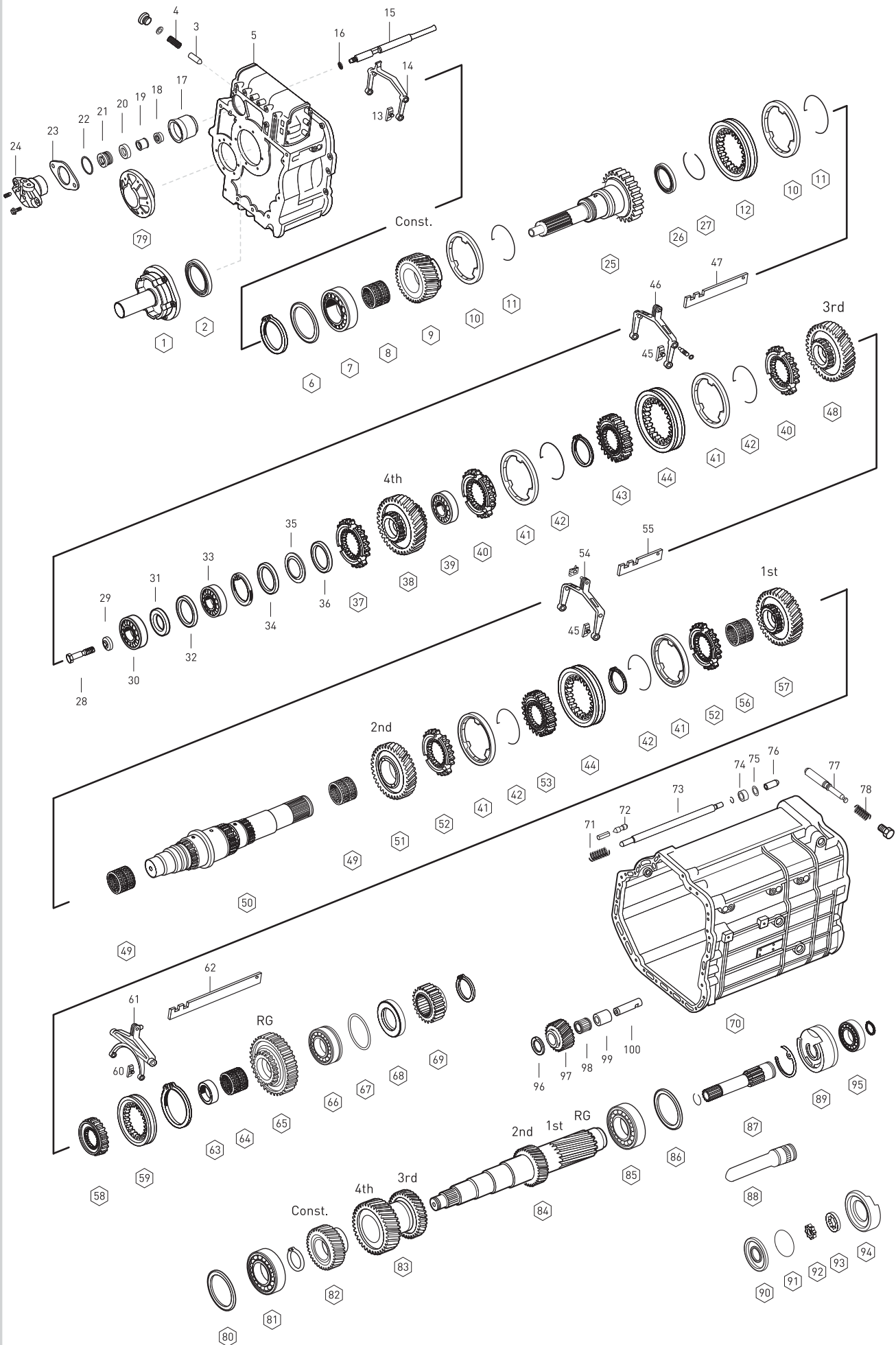


Fig	Oem No	Oem Old No	Pcs	Description	Sizes	Notes	[X1] : G180-16/14.0	[X2] : G180-16/14.0	[X3] : G180-16/11.9	[X4] : G180-16/11.9	[X5] : G180-16/11.9
75	000988 006 013		1	FITTED WASHER	0.50mm		◆	◆		◆	◆
75	000988 006 001		1	FITTED WASHER	1.00mm			◆		◆	◆
76	389 268 0674		1	PIN				◆		◆	◆
77	389 267 0974		1	PIN				◆		◆	◆
77	945 267 0274	(389 267 0274)	1	PIN			◆		◆		
78	389 993 0601		1	SPRING				◆		◆	◆
78	389 993 3401		1	SPRING			◆		◆		
79	389 261 1933		1	COVER			◆	◆	◆	◆	◆
80	406 337 0252		1	SHIM	0.10mm		◆	◆	◆	◆	◆
80	406 337 0352		1	SHIM	0.20mm		◆	◆	◆	◆	◆
80	389 263 3252		1	SHIM	0.40mm		◆	◆	◆	◆	◆
80	389 263 3352		1	SHIM	0.45mm		◆	◆	◆	◆	◆
80	389 263 3852		1	SHIM	0.70mm		◆	◆	◆	◆	◆
80	389 263 3952		1	SHIM	0.75mm		◆	◆	◆	◆	◆
80	389 263 5352		1	SHIM	0.40mm		◆	◆	◆	◆	◆
80	389 263 5852		1	SHIM	0.55mm		◆	◆	◆	◆	◆
80	389 263 6352		1	SHIM	0.70mm		◆	◆	◆	◆	◆
80	389 263 6852		1	SHIM	0.85mm		◆	◆	◆	◆	◆
80	389 263 7352		1	SHIM	1.00mm		◆	◆	◆	◆	◆
80	389 263 7852		1	SHIM	1.15mm		◆	◆	◆	◆	◆
80	389 263 8352		1	SHIM	1.30mm		◆	◆	◆	◆	◆
81	014 981 1405	(013 981 0605)	1	ROLLER BEARING	51X100X37.5mm		◆	◆	◆	◆	◆
82	389 263 1110		1	CONSTANT GEAR		(5)			◆	◆	◆
82	389 263 0410		1	CONSTANT GEAR		(9)			◆	◆	◆
82	389 263 1210		1	CONSTANT GEAR		(5)	◆	◆			
82	389 263 0910	(389 263 0310)	1	CONSTANT GEAR		(9)	◆	◆			
83	389 263 1413		1	DOUBLE GEAR 3rd/4th		(5)	◆	◆	◆	◆	◆
83	389 263 1013	(389 263 0913)	1	DOUBLE GEAR 3rd/4th		(9)(10)	◆	◆	◆	◆	◆
83	389 263 0313	(389 263 0013)	1	DOUBLE GEAR 3rd/4th		(11)	◆	◆	◆	◆	◆
84	389 263 0802		1	COUNTER SHAFT ( NEW )		(10)	◆	◆	◆	◆	◆
84	389 263 0302		1	COUNTER SHAF T ( OLD )		(11)	◆	◆	◆	◆	◆
85	012 981 9405	(016 981 1205)	1	ROLLER BEARING	60x130x34mm		◆	◆	◆	◆	◆
86	389 263 0152		1	SHIM	0.10mm		◆	◆	◆	◆	◆
86	389 263 4052		1	SHIM	0.60mm		◆	◆	◆	◆	◆
86	389 263 4152		1	SHIM	0.65mm		◆	◆	◆	◆	◆
86	389 263 4252		1	SHIM	0.70mm		◆	◆	◆	◆	◆
86	389 263 4352		1	SHIM	0.75mm		◆	◆	◆	◆	◆
86	389 263 0552		1	SHIM	0.80mm		◆	◆	◆	◆	◆
86	389 263 4452		1	SHIM	0.85mm		◆	◆	◆	◆	◆
86	389 263 4552		1	SHIM	0.90mm		◆	◆	◆	◆	◆
86	389 263 4652		1	SHIM	0.95mm		◆	◆	◆	◆	◆

NOTES :

- [X1] : for gearbox numbered label no 714706 EPS
- [X2] : for gearbox numbered label no 714707 MPS
- [X3] : for gearboxes numbered label nos 714700-95 EPS
- [X4] : for gearboxes numbered label nos 714703-96 MPS, 714794-97 NA 4/120-1 C
- [X5] : for gearboxes numbered label nos 714780-81 MPS, 714789-98-99 NA 4/120-1 C
- (5) from gearbox number of 182426
- (9) to gearbox number of 182425
- (10) from gearbox number of 058289
- (11) to gearbox number of 058288

# GEARBOX G180-16





# GEARBOX G180-16

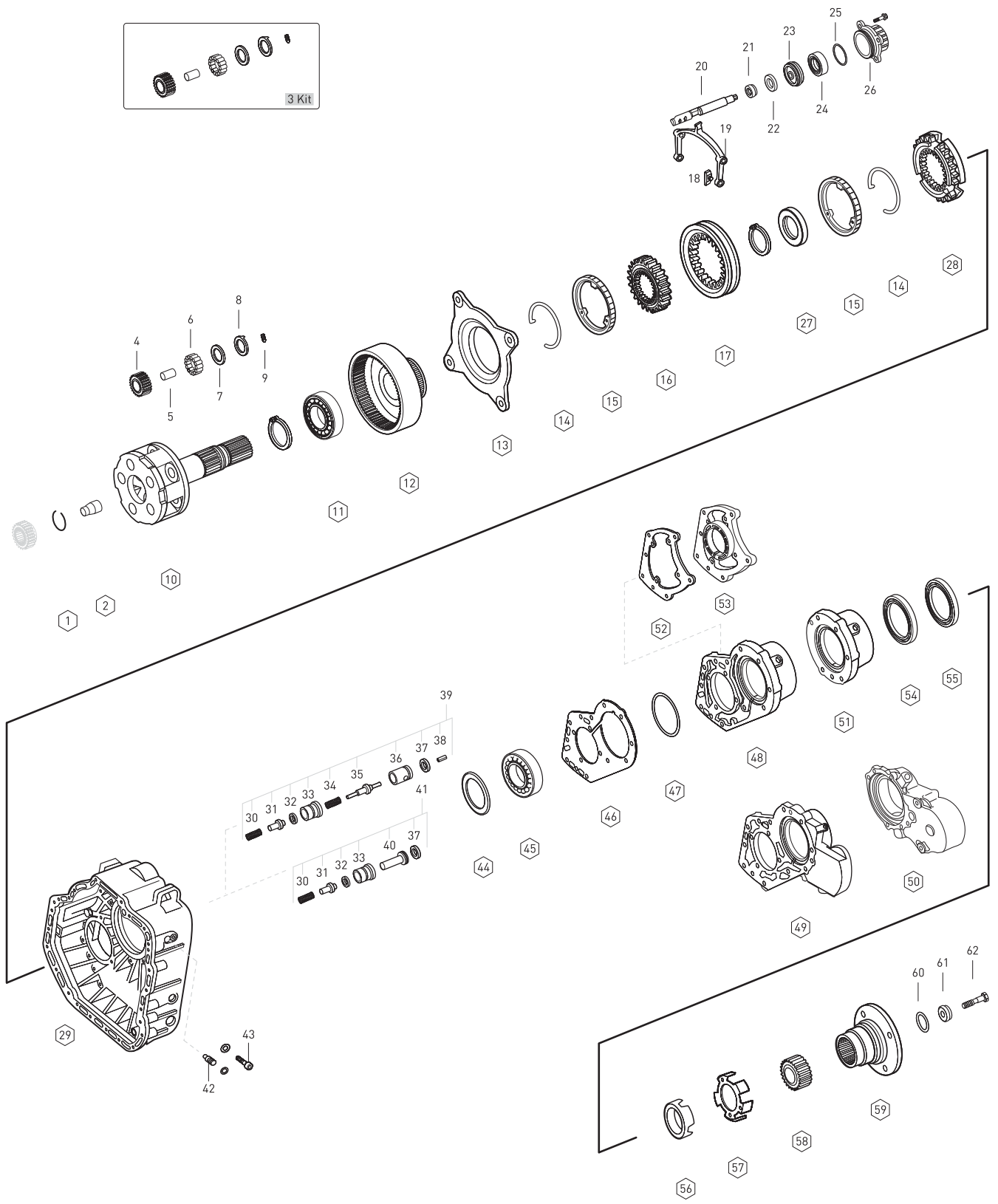




Fig	o.	Oem No	Oem Old No	Pcs	Description	Sizes	Notes	[X1]-G180-16/14.0	[X2]-G180-16/14.0	[X3]-G180-16/11.9	[X4]-G180-16/11.9	[X5]-G180-16/11.9	[X6]-G180-16/11.9	[X7]-G180-16/11.9
1		007993 040 200		1	SNAP RING			◆	◆	◆	◆	◆	◆	◆
2		389 269 0134		1	OIL TUBE			◆	◆	◆	◆	◆	◆	◆
3		389 260 0497		5	PLANET.GEAR SET		(1)	◆	◆	◆	◆	◆	◆	◆
3		389 260 0297		5	PLANET.GEAR SET		(2)	◆	◆	◆	◆	◆	◆	◆
4		2106034		5	PLANET.GEAR 26 T Ø=88.50X41.00=H		(1)	◆	◆	◆	◆	◆	◆	◆
5		389 262 0407		5	PLANETARY SHAFT		(1)	◆	◆	◆	◆	◆	◆	◆
6		019 981 4386	(009 981 4186)	125	A NEEDLE ROLLER	4.995X39.60mm	(1)	◆	◆	◆	◆	◆	◆	◆
6		001 981 2987	(001 981 2887)	125	A NEEDLE ROLLER	4.995X36.80mm	(2)	◆	◆	◆	◆	◆	◆	◆
7		389 262 6462	(389 262 0162)	10	THRUST WASHER	35.35X43.90X1.00		◆	◆	◆	◆	◆	◆	◆
8		945 262 0162	(389 262 0262)	10	THRUST WASHER	35.35X65.50X1.25		◆	◆	◆	◆	◆	◆	◆
9		000914 006 109		5	THREADED PIN	5.90X13.90mm		◆	◆	◆	◆	◆	◆	◆
10		389 260 9061	(389 260 8961)	1	PLANETARY CARRIER		(1)	◆	◆	◆	◆	◆	◆	◆
			(389 260 7661)											
			(389 260 1361)											
10		389 260 0661		1	PLANETARY CARRIER		(2)	◆	◆	◆	◆	◆	◆	◆
11		008 981 1325		1	ROLLER BEARING	90X130X14mm		◆	◆	◆	◆	◆	◆	◆
12		389 262 0208		1	ANNULUS 80 T			◆	◆	◆	◆	◆	◆	◆
13		389 260 2036		1	FOLLOWER RING		(3)	◆	◆	◆	◆	◆	◆	◆
13		389 260 0936		1	FOLLOWER RING		(4)	◆	◆	◆	◆	◆	◆	◆
14		389 262 0293		2	SPRING			◆	◆	◆	◆	◆	◆	◆
15		389 262 0537		2	SYNCHRONIZING CONE			◆	◆	◆	◆	◆	◆	◆
16		389 262 4935	(389 262 2035)	1	GUIDE SLEEVE		(3)	◆	◆	◆	◆	◆	◆	◆
16		389 262 0535		1	GUIDE SLEEVE		(4)	◆	◆	◆	◆	◆	◆	◆
17		945 262 6623	(945 262 2623)	1	ENGAGING SLEEVE		(3)	◆	◆	◆	◆	◆	◆	◆
			(945 262 0823)											
			(389 262 3823)											
			(389 262 3623)											
			(389 262 1623)											
17		389 262 1523	(389 262 0123)	1	ENGAGING SLEEVE		(4)	◆	◆	◆	◆	◆	◆	◆
18		389 265 2449		2	SLIDING PAD		(3)	◆	◆	◆	◆	◆	◆	◆
18		389 265 1249	(389 265 0949)	2	SLIDING PAD		(4)	◆	◆	◆	◆	◆	◆	◆
19		947 265 1701	(947 265 1901)	1	SHIFTING FORK			◆	◆	◆	◆	◆	◆	◆
			(930 265 0001)											
			(389 265 0901)											
			(389 265 0201)											
20		389 267 7217	(389 267 3917)	1	SHIFTING ROD		(5)		◆		◆	◆	◆	
20		389 267 3117		1	SHIFTING ROD		(6)		◆		◆	◆	◆	
20		389 267 3417		1	SHIFTING ROD			◆		◆				◆
21		000 267 0197	(000 267 0397)	1	FLANGE PACKING			◆	◆	◆	◆	◆	◆	◆
22		387 267 0650		1	BUSHING			◆	◆	◆	◆	◆	◆	◆
23		389 267 1018	(389 267 0118)	1	PISTON			◆	◆	◆	◆	◆	◆	◆

**NOTES :**

- [X1] : for gearbox numbered label no 714706 EPS
- [X2] : for gearbox numbered label no 714707 MPS
- [X3] : for gearbox numbered label no 714700 EPS
- [X4] : for gearboxes numbered label nos 714703-80-81 MPS, 714799 NA 4/120-1 C
- [X5] : for gearboxes numbered label nos 714796 MPS, 714789-97 NA 4/120-1 C
- [X6] : for gearboxes numbered label nos 714794-98 NA 4/120-1 C
- [X7] : for gearbox numbered label no 714795 EPS
- (1) from gearbox number of 182426
- (2) to gearbox number of 182425
- (3) from gearbox number of 201818
- (4) to gearbox number of 201817
- (5) from gearbox number of 070419
- (6) to gearbox number of 070418

# GEARBOX G180-16

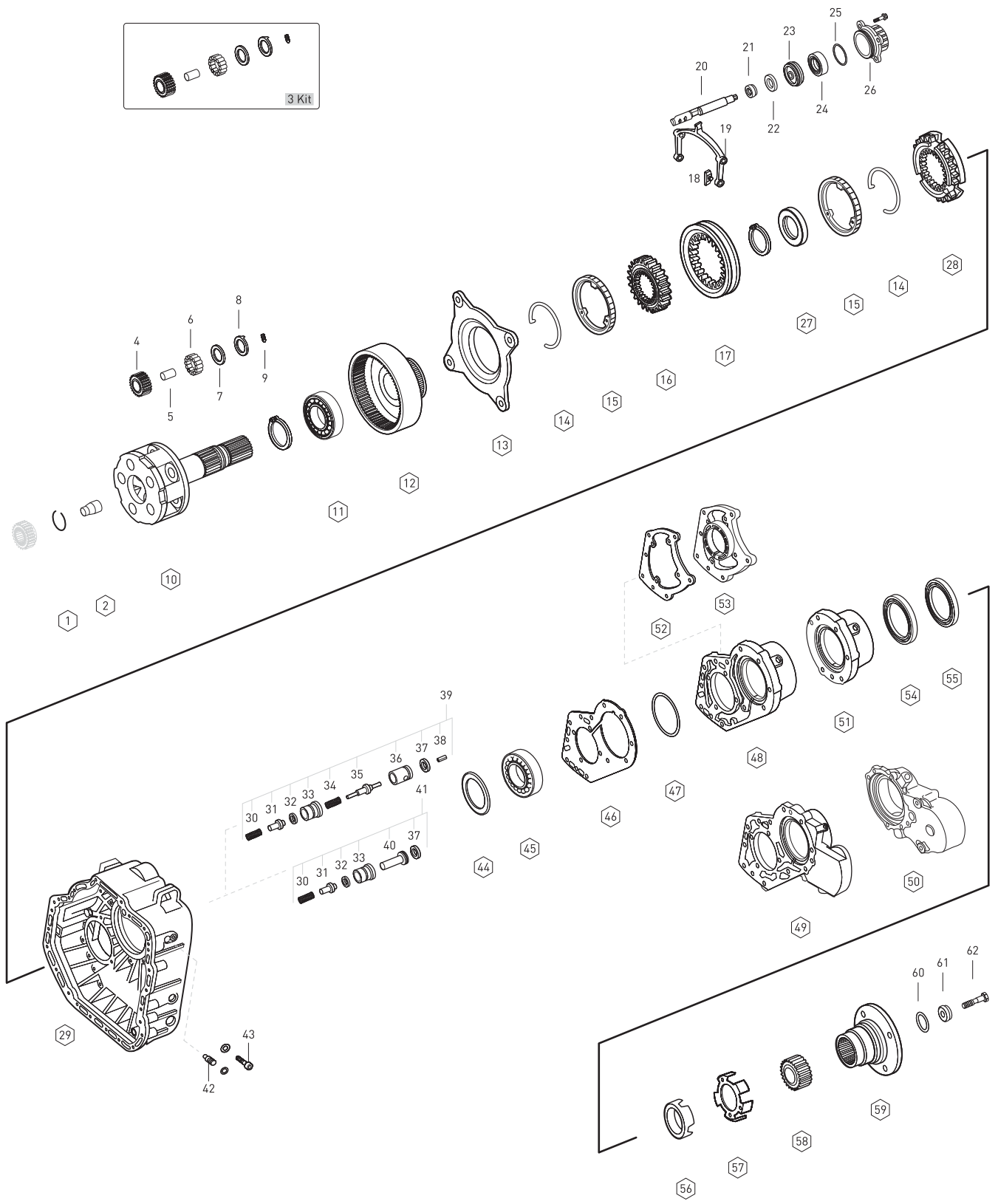


Fig.	o.	Oem No	Oem Old No	Pcs.	Description	Sizes	Notes	[X1]-G180-16/14.0	[X2]-G180-16/14.0	[X3]-G180-16/11.9	[X4]-G180-16/11.9	[X5]-G180-16/11.9	[X6]-G180-16/11.9	[X7]-G180-16/11.9
24		024 997 8347	(020 997 6747)	1	SEAL RING			◆	◆	◆	◆	◆	◆	◆
			(014 997 3647)											
			(014 997 5147)											
25		013 997 7548		1	O-RING			◆	◆	◆	◆	◆	◆	◆
26		945 267 1119	(389 267 2919)	1	SHIFTING CYLINDER			◆	◆	◆	◆	◆	◆	◆
			(389 267 1319)											
			(389 267 1419)											
			(389 267 4219)											
27		389 262 0251		1	SPACER RING			◆	◆	◆	◆	◆	◆	◆
28		389 262 9134		1	ENGAGING RING		(7)	◆	◆	◆	◆	◆	◆	◆
28		389 262 4034		1	ENGAGING RING		(3)[9]	◆	◆	◆	◆	◆	◆	◆
28		389 262 2334	(389 262 1934)	1	ENGAGING RING		(10)[4]	◆	◆	◆	◆	◆	◆	◆
28		389 262 0934		1	ENGAGING RING		(8)	◆	◆	◆	◆	◆	◆	◆
29		389 261 5126	(389 261 4926)	1	HOUSING		(7)	◆	◆	◆	◆	◆	◆	◆
29		389 261 4703	(389 261 4603)	1	HOUSING		(9)	◆	◆	◆	◆	◆	◆	◆
			(389 261 2703)											
			(389 261 1203)											
29		389 261 2126	(389 261 2226)	1	HOUSING			◆	◆	◆	◆	◆	◆	◆
			(389 261 2326)											
			(389 261 2426)											
			(389 261 7803)											
			(389 261 7903)											
30		389 993 5301		1	SPRING			◆	◆	◆	◆	◆	◆	◆
30		389 993 4301		1	SPRING			◆	◆	◆	◆	◆	◆	◆
30		389 993 1701		1	SPRING			◆	◆	◆	◆	◆	◆	◆
31		389 269 1026	(389 269 0926)	1	SELECTOR VALVE			◆	◆	◆	◆	◆	◆	◆
31		389 269 0026		1	SELECTOR VALVE			◆	◆	◆	◆	◆	◆	◆
31		005401 311 000		1	BALL			◆	◆	◆	◆	◆	◆	◆
32		013 997 0148		1	O-RING	13.3X2.4mm		◆	◆	◆	◆	◆	◆	◆
32		015 997 6048		1	O-RING	23.3X2.4mm		◆	◆	◆	◆	◆	◆	◆
33		389 269 1444	(389 269 0744)	1	VALVE INSERT			◆	◆	◆	◆	◆	◆	◆
			(389 269 0144)											
33		389 265 2074		1	VALVE INSERT			◆	◆	◆	◆	◆	◆	◆
34		389 993 4401		1	SPRING	11.5X41.9X1.0mm		◆	◆	◆	◆	◆	◆	◆
35		389 269 0826		1	SELECTOR VALVE			◆	◆	◆	◆	◆	◆	◆
36		389 269 0844		1	BALL			◆	◆	◆	◆	◆	◆	◆
37		013 997 0048		1	O-RING	19.2X3.0mm		◆	◆	◆	◆	◆	◆	◆
38		001481 004 001		1	CLAMPING SLEEVE			◆	◆	◆	◆	◆	◆	◆
39		655 260 0257		1	VALVE KIT			◆	◆	◆	◆	◆	◆	◆
39		655 260 0157		1	VALVE KIT	(PTO)		◆	◆	◆	◆	◆	◆	◆
40		389 265 0176	(389 265 0076)	1	WASHER			◆	◆	◆	◆	◆	◆	◆

NOTES :

- [X1] : for gearbox numbered label no 714706 EPS
- [X2] : for gearbox numbered label no 714707 MPS
- [X3] : for gearbox numbered label no 714700 EPS
- [X4] : for gearboxes numbered label nos 714703-80-81 MPS, 714799 NA 4/120-1 C
- [X5] : for gearboxes numbered label nos 714796 MPS, 714789-97 NA 4/120-1 C
- [X6] : for gearboxes numbered label nos 714794-98 NA 4/120-1 C
- [X7] : for gearbox numbered label no 714795 EPS
- [3] from gearbox number of 201818
- [4] to gearbox number of 201817
- [7] from gearbox number of 380571
- [8] to gearbox number of 070883
- [9] to gearbox number of 380570
- [10] from gearbox number of 070884

G180-16

# GEARBOX G180-16

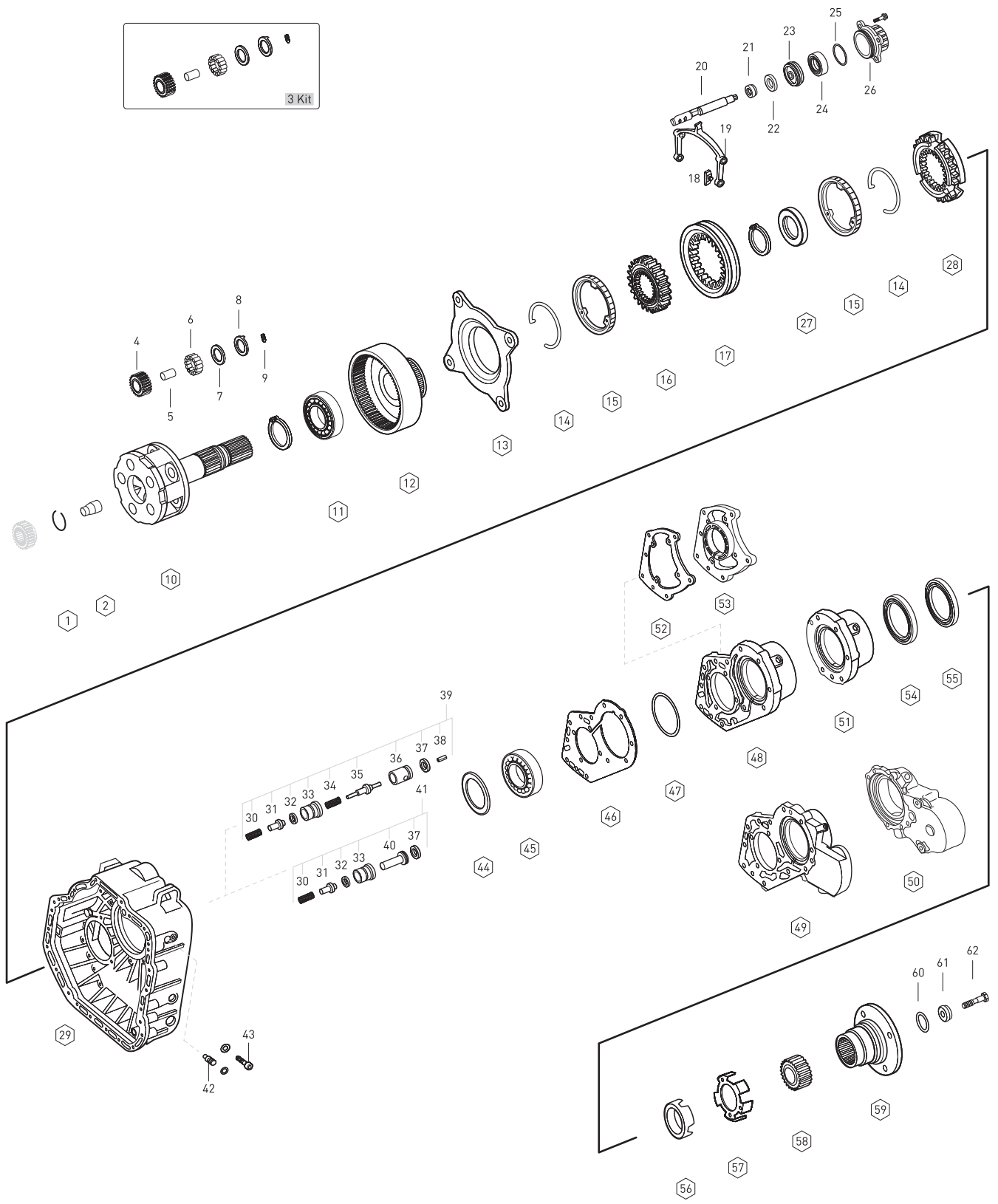
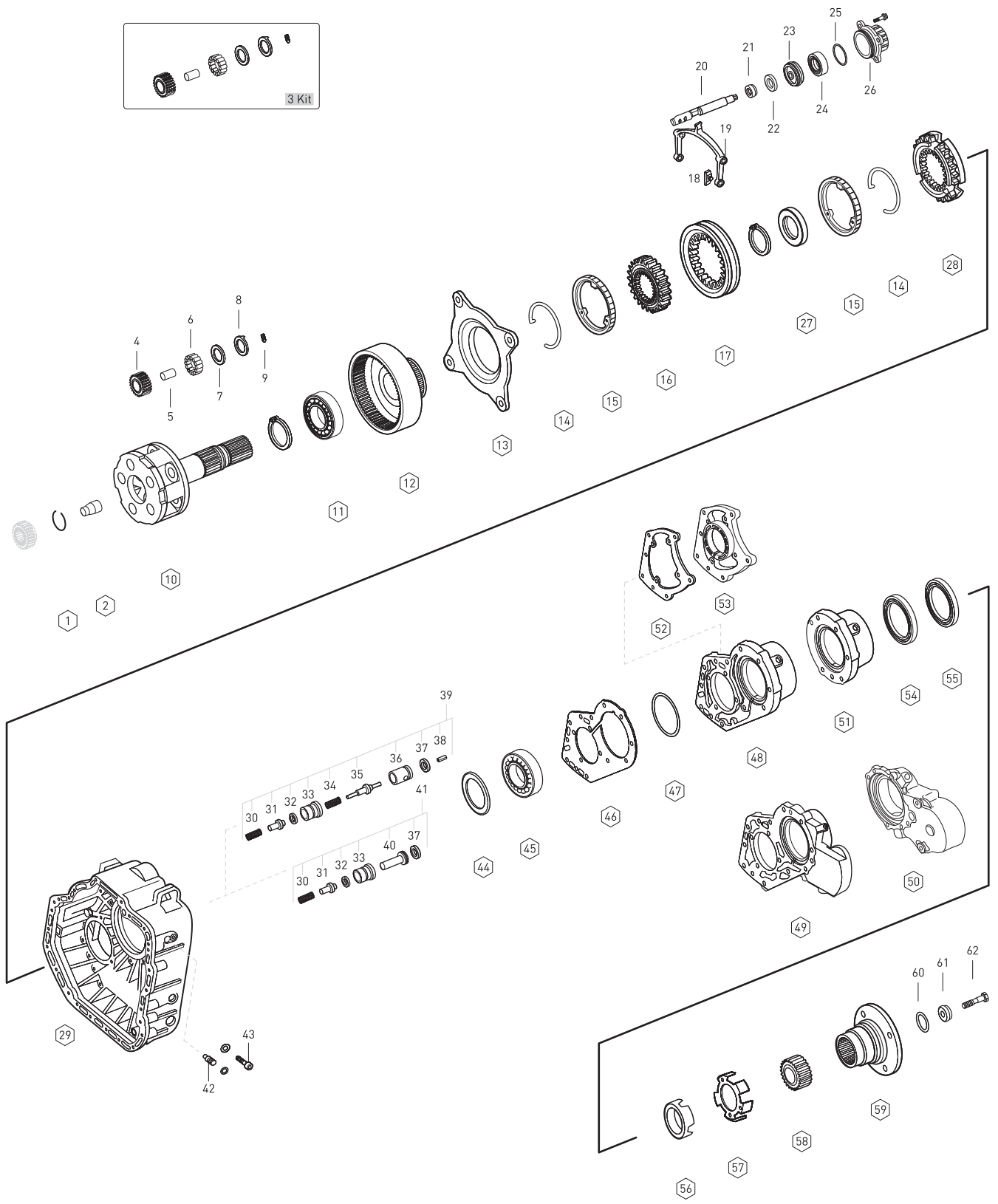


Fig	o.	Oem No	Oem Old No	Pcs	Description	Sizes	Notes	[X1]-G180-16/14.0	[X2]-G180-16/14.0	[X3]-G180-16/11.9	[X4]-G180-16/11.9	[X5]-G180-16/11.9	[X6]-G180-16/11.9	[X7]-G180-16/11.9
41		655 260 0057		1	VALVE KIT			◆	◆	◆	◆	◆	◆	◆
42		389 265 0974		2	PIN			◆	◆	◆	◆	◆	◆	◆
42		945 265 1474	(945 265 1774)	2	PIN			◆	◆	◆	◆	◆	◆	◆
			(389 265 2874)											
43		007984 008 013		2	SCREW			◆	◆	◆	◆	◆	◆	◆
44		389 262 3954		1	THRUST WASHER	3.50mm	{10}	◆	◆	◆	◆	◆	◆	◆
44		389 262 5252		1	THRUST WASHER		{8}	◆	◆	◆	◆	◆	◆	◆
45		004 981 8525		1	ROLLER BEARING			◆	◆	◆	◆	◆	◆	◆
45		004 981 8925		1	ROLLER BEARING			◆	◆	◆	◆	◆	◆	◆
45		004 981 9325		1	ROLLER BEARING			◆	◆	◆	◆	◆	◆	◆
46		389 261 1180		1	GASKET		{11}	◆	◆	◆	◆	◆	◆	◆
47		389 262 7754		1	THRUST WASHER	1.40mm		◆	◆	◆	◆	◆	◆	◆
47		389 262 5152		1	THRUST WASHER	0.80mm		◆	◆	◆	◆	◆	◆	◆
47		389 262 5052		1	THRUST WASHER	0.40mm		◆	◆	◆	◆	◆	◆	◆
47		389 262 7654		1	THRUST WASHER	0.25mm		◆	◆	◆	◆	◆	◆	◆
47		389 262 4952		1	THRUST WASHER	0.20mm		◆	◆	◆	◆	◆	◆	◆
47		389 262 4852		1	THRUST WASHER	0.15mm		◆	◆	◆	◆	◆	◆	◆
47		389 262 4752		1	THRUST WASHER	0.10mm		◆	◆	◆	◆	◆	◆	◆
48		389 261 0320	(389 261 0220)	1	COVER		{11}	◆	◆	◆	◆			
49		655 260 0016	(387 261 2820)	1	COVER		{13}					◆		◆
50		389 261 1120		1	COVER		{14}					◆		◆
51		389 261 1920	(389 261 0520)	1	COVER		{12}	◆	◆	◆	◆		◆	
			(389 261 0420)											
52		945 261 0080	(389 261 1980)	1	GASKET	(PTO)	{12}	◆	◆	◆	◆		◆	◆
			(389 261 1480)											
			(389 261 0780)											
52		389 261 1280		1	GASKET	(PTO)	{11}	◆	◆	◆	◆	◆	◆	◆
53		945 261 1033		1	COVER	(PTO)	{12}	◆	◆	◆	◆			◆
53		389 261 2433	(389 261 1033)	1	COVER	(PTO)		◆	◆	◆	◆			◆
			(389 261 2333)											
			(389 261 0933)											
53		389 261 0433	(389 261 0233)	1	COVER	(PTO)	{11}	◆	◆	◆	◆	◆		◆
54		013 997 5547		1	OIL SEAL			◆	◆	◆	◆	◆	◆	◆
54		013 997 7247		1	OIL SEAL			◆	◆	◆	◆	◆	◆	◆
54		014 997 1947		1	OIL SEAL			◆	◆	◆	◆	◆	◆	◆
55		015 997 4247		1	OIL SEAL			◆	◆	◆	◆	◆	◆	◆
55		013 997 7347		1	OIL SEAL			◆	◆	◆	◆	◆	◆	◆
55		013 997 5647		1	OIL SEAL			◆	◆	◆	◆	◆	◆	◆
56		945 262 0528	(389 260 0150)	1	PULSE STAR			◆	◆	◆	◆		◆	
57		387 262 0828	(387 262 0428)	1	PULSE STAR	(PTO)						◆		◆
58		389 264 0021		1	GEAR	(PTO)						◆		◆

NOTES :

- [X1] : for gearbox numbered label no 714706 EPS
- [X2] : for gearbox numbered label no 714707 MPS
- [X3] : for gearbox numbered label no 714700 EPS
- [X4] : for gearboxes numbered label nos 714703-80-81 MPS, 714799 NA 4/120-1 C
- [X5] : for gearboxes numbered label nos 714796 MPS, 714789-97 NA 4/120-1 C
- [X6] : for gearboxes numbered label nos 714794-98 NA 4/120-1 C
- [X7] : for gearbox numbered label no 714795 EPS
- {8} to gearbox number of 070883
- {10} from gearbox number of 070884
- {11} to gearbox number of 206784
- {12} from gearbox number of 206785
- {13} to gearbox number of 323551
- {14} from gearbox number of 323552

# GEARBOX G180-16





# GEARBOX G180-16

SYNCHRONIZER KIT CONST.

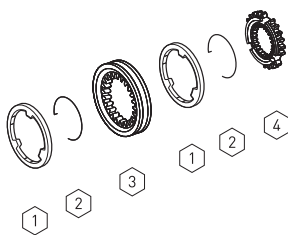


Fig.	Oem No	Oem Old No	Pcs	Description
	<b>2106190</b>		Kit	SYNCHRONIZER KIT Const
1	<b>389 262 0637</b>		2	SYNCHRONIZING CONE
2	<b>387 262 1093</b>		2	SPRING
3	<b>389 262 3023</b>	<b>(389 262 2223)</b>	1	ENGAGING SLEEVE
		<b>(389 262 0623)</b>		
4	<b>389 262 5634</b>	<b>(389 262 3934)</b>	1	ENGAGING RING

SYNCHRONIZER KIT 3rd/4th

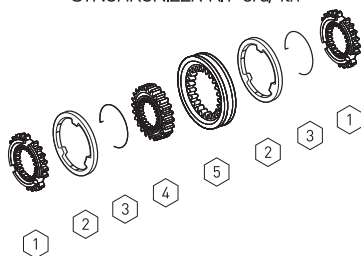


Fig.	Oem No	Oem Old No	Pcs	Description
	<b>2106207</b>		Kit	SYNCH.KIT 3rd/4th
1	<b>945 262 0534</b>	<b>(389 262 5034)</b>	2	ENGAGING RING
2	<b>389 262 0737</b>		2	SYNCHRONIZING CONE
3	<b>387 262 0893</b>		2	SPRING
4	<b>389 262 1535</b>		1	GUIDE SLEEVE
5	<b>389 262 2923</b>	<b>(389 262 0723)</b>	1	ENGAGING SLEEVE

SYNCHRONIZER KIT 1st/2nd

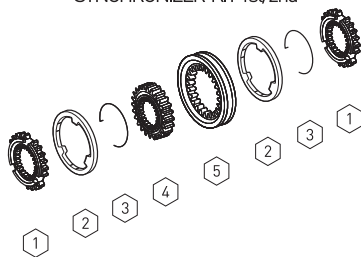


Fig.	Oem No	Oem Old No	Pcs	Description
	<b>2106192</b>		Kit	SYNCH.KIT 1st/2nd
1	<b>945 262 0434</b>	<b>(389 262 0034)</b>	2	ENGAGING RING
2	<b>389 262 0737</b>		2	SYNCHRONIZING CONE
3	<b>387 262 0893</b>		2	SPRING
4	<b>389 262 0035</b>		1	GUIDE SLEEVE
5	<b>389 262 2923</b>	<b>(389 262 0723)</b>	1	ENGAGING SLEEVE

SYNCHRONIZER KIT PLANETARY  
NEW MODEL

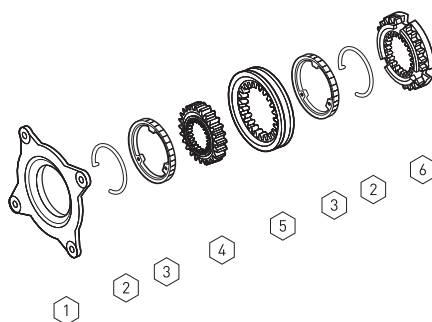


Fig.	Oem No	Oem Old No	Pcs	Description
	<b>2106193</b>		Kit	SYNCH.KIT PLANETARY
1	<b>389 260 2036</b>		1	FOLLOWER RING
2	<b>389 262 0293</b>		2	SPRING
3	<b>389 262 0537</b>		2	SYNCHRONIZING CONE
4	<b>389 262 4935</b>	<b>(389 262 2035)</b>	1	GUIDE SLEEVE
5	<b>945 262 6623</b>	<b>(945 262 2623)</b>	1	ENGAGING SLEEVE
		<b>(945 262 0823)</b>		
		<b>(389 262 3823)</b>		
		<b>(389 262 3623)</b>		
		<b>(389 262 1623)</b>		
6	<b>K21.03022</b>	<b>389 262 9134</b>	1	ENGAGING RING

SYNCHRONIZER KIT PLANETARY  
NEW MODEL

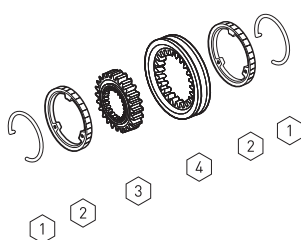


Fig.	Oem No	Oem Old No	Pcs	Description
	<b>2106194</b>		Kit	SYNCH.KIT PLANETARY
1	<b>389 262 0293</b>		2	SPRING
2	<b>389 262 0537</b>		2	SYNCHRONIZING CONE
3	<b>389 262 4935</b>	<b>(389 262 2035)</b>	1	GUIDE SLEEVE
4	<b>945 262 6623</b>	<b>(945 262 2623)</b>	1	ENGAGING SLEEVE
		<b>(945 262 0823)</b>		
		<b>(389 262 3823)</b>		
		<b>(389 262 3623)</b>		
		<b>(389 262 1623)</b>		



Fig.	o. Oem No	Oem Old No	Pcs	Description
	<b>2106195</b>		Kit	SYNCH.KIT PLANETARY
1	<b>389 260 2036</b>		1	FOLLOWER RING
2	<b>389 262 0293</b>		2	SPRING
3	<b>389 262 0537</b>		2	SYNCHRONIZING CONE
4	<b>389 262 4935</b>	<b>(389 262 2035)</b>	1	GUIDE SLEEVE
5	<b>945 262 6623</b>	<b>(945 262 2623)</b>	1	ENGAGING SLEEVE
		<b>(945 262 0823)</b>		
		<b>(389 262 3823)</b>		
		<b>(389 262 3623)</b>		
		<b>(389 262 1623)</b>		
6	<b>389 262 4034</b>		1	ENGAGING RING

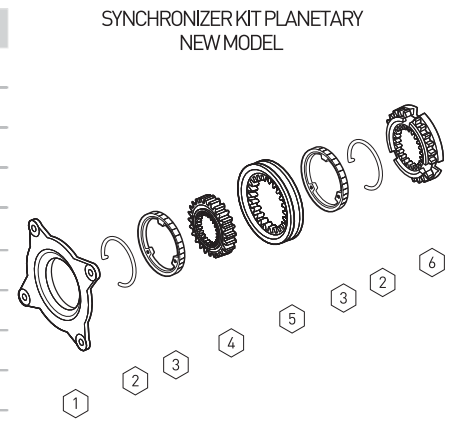


Fig.	o. Oem No	Oem Old No	Pcs	Description
	<b>2106196</b>		Ki	SYNCH.KIT PLANETARY
1	<b>389 262 0293</b>		2	SPRING
2	<b>389 262 0537</b>		2	SYNCHRONIZING CONE
3	<b>389 262 0535</b>		1	GUIDE SLEEVE
4	<b>389 262 1523</b>	<b>(389 262 0123)</b>	1	ENGAGING SLEEVE

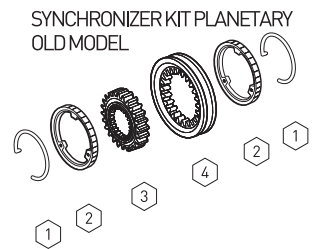


Fig.	o. Oem No	Oem Old No	Pcs	Description
	<b>2106197</b>		Kit	SYNCH.KIT PLANETARY
1	<b>389 260 0936</b>		1	FOLLOWER RING
2	<b>389 262 0293</b>		2	SPRING
3	<b>389 262 0537</b>		2	SYNCHRONIZING CONE
4	<b>389 262 0535</b>		1	GUIDE SLEEVE
5	<b>389 262 1523</b>	<b>(389 262 0123)</b>	1	ENGAGING SLEEVE
6	<b>389 262 2334</b>	<b>(389 262 1934)</b>	1	ENGAGING RING

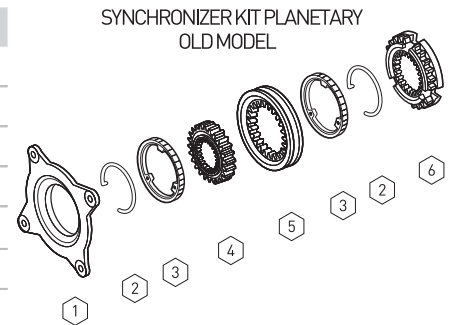
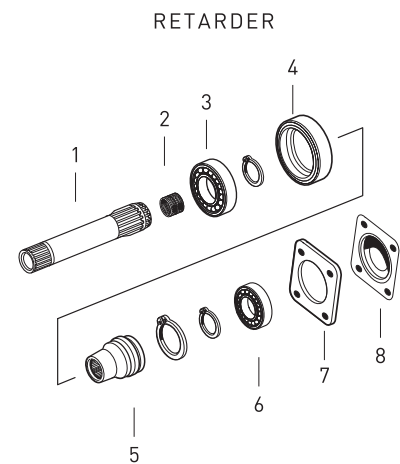


Fig.	o. Oem No	Oem Old No	Pcs	Description
1	<b>945 264 0305</b>		1	INTERM.SHAFT
1	<b>389 264 0505</b>		1	INTERM.SHAFT
1	<b>K21.03493 389 264 0205</b>	<b>(387 264 0405)</b>	1	INTERM.SHAFT
2	<b>013 981 0610</b>		1	NEEDLE CAGE
3	<b>008 981 3225</b>		1	ROLLER BEARING
4	<b>945 264 0687</b>	<b>(389 264 0587)</b>	1	RING
5	<b>389 264 0223</b>		1	SLIDING COLLAR
6	<b>006 981 2525</b>		1	ROLLER BEARING
7	<b>389 264 0780</b>		1	GASKET
8	<b>945 264 0611</b>		1	COVER
8	<b>389 264 0311</b>		1	COVER



# GEARBOX G200-16

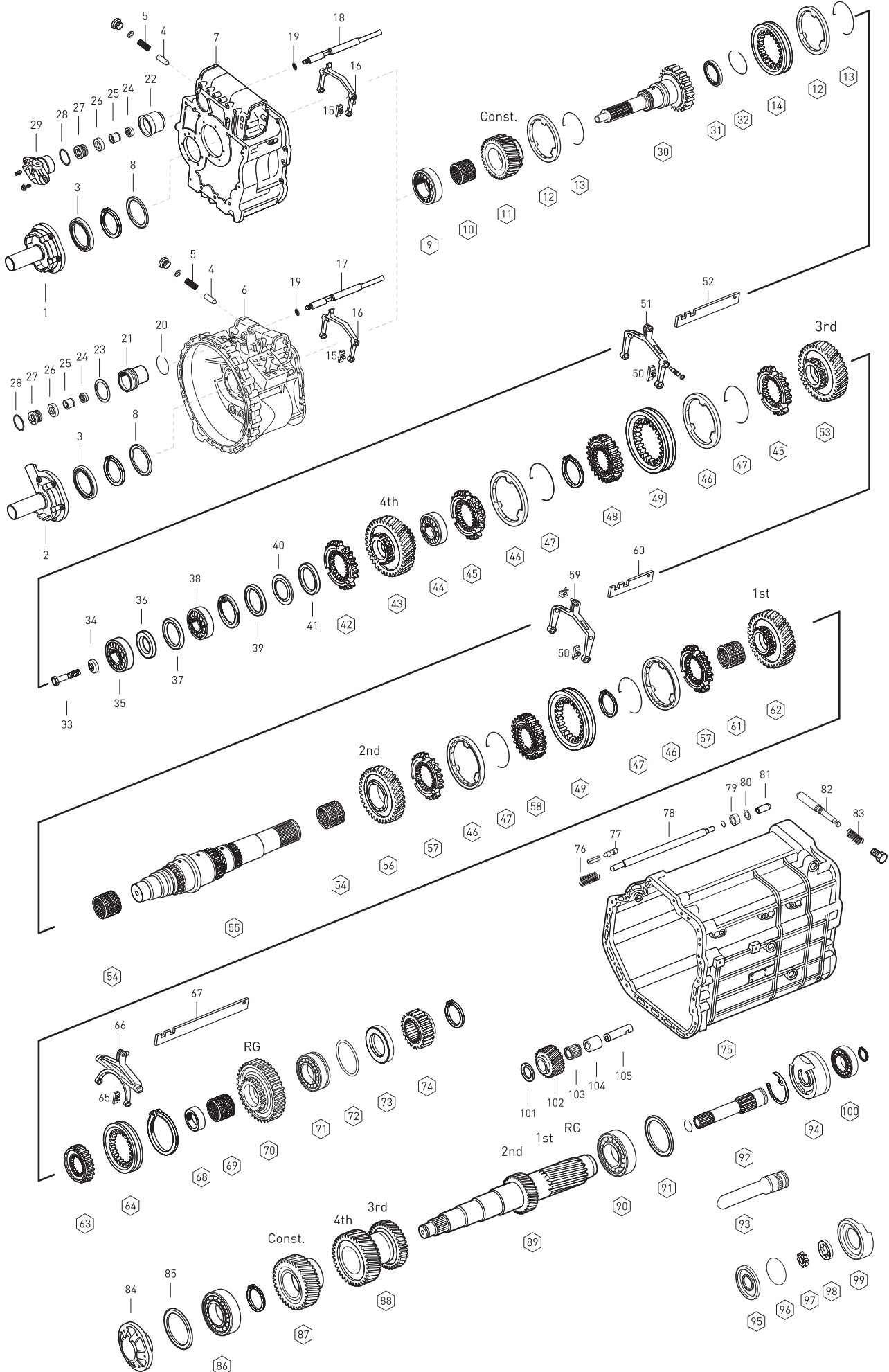


Fig.	o.	Oem No	Oem Old No	Pcs	Description	Sizes	Notes	[X1] : G200-16/11.9	[X2] : G200-16/11.9	[X3] : G200-16/11.9	[X4] : G200-16/11.9
1		389 261 3318		1	COVER		(1)	◆	◆		
2		389 261 4918		1	COVER		(2)			◆	◆
2		389 261 3718		1	COVER		(3)			◆	◆
3		015 997 1647	(015 997 0647)	1	OIL SEAL			◆	◆	◆	◆
4		389 267 1174	(387 267 0034)	1	PIN			◆	◆	◆	◆
5		387 993 4401		1	SPRING	9.8X63.3mm		◆	◆	◆	◆
5		387 993 4501		1	SPRING	6.2X63.0mm		◆	◆	◆	◆
6		389 261 1408	(389 261 0708)	1	HOUSING		(4)			◆	◆
6		389 261 8902		1	HOUSING		(5)			◆	
7		389 261 4902	(389 261 3802)	1	HOUSING		(5)	◆	◆		
7		389 261 9602	(389 261 0308)	1	HOUSING		(4)	◆	◆		
8		389 262 4152		1	SHIM	0.10mm		◆	◆	◆	◆
8		389 262 4452		1	SHIM	0.40mm		◆	◆	◆	◆
8		389 262 1954		1	SHIM	0.45mm	(6)	◆	◆	◆	◆
8		389 262 2054		1	SHIM	0.50mm	(6)	◆	◆	◆	◆
8		389 262 2154		1	SHIM	0.55mm	(6)	◆	◆	◆	◆
8		389 262 2254		1	SHIM	0.60mm	(6)	◆	◆	◆	◆
8		389 262 2354		1	SHIM	0.65mm	(6)	◆	◆	◆	◆
8		389 262 2454		1	SHIM	0.70mm	(6)	◆	◆	◆	◆
8		389 262 2554		1	SHIM	0.75mm	(6)	◆	◆	◆	◆
8		389 262 2654		1	SHIM	2.00mm	(6)	◆	◆	◆	◆
8		389 262 3055		1	SHIM	0.25mm	(7)	◆	◆	◆	◆
8		389 262 3255		1	SHIM	0.31mm	(7)	◆	◆	◆	◆
8		389 262 3555		1	SHIM	0.40mm	(7)	◆	◆	◆	◆
9		014 981 9005	(011 981 1305)	1	ROLLER BEARING	75X140X30mm		◆	◆	◆	◆
10		008 981 9410	(019 981 0810)	1	NEEDLE CAGE	85X93X37mm		◆	◆	◆	◆
11		389 262 7710	(389 262 2710)	1	CONSTANT GEAR			◆	◆	◆	◆
12		389 262 0637		2	SYNCHRONIZING CONE	177.0mm		◆	◆	◆	◆
13		387 262 1093		2	SPRING			◆	◆	◆	◆
14		389 262 3023	(389 262 2223)	1	ENGAGING SLEEVE			◆	◆	◆	◆
			(389 262 0623)								
15		389 265 1249	(389 265 0949)	2	SLIDING PAD			◆	◆	◆	◆
16		389 265 0601		1	GEAR SHIT FORK			◆	◆	◆	◆
17		945 267 0217		1	G.SHIFT RAIL					◆	◆
18		389 267 2217		1	G.SHIFT RAIL			◆			
18		389 267 3017		1	G.SHIFT RAIL				◆		
19		387 263 2652		1	SPACER WASHER	0.20mm		◆	◆	◆	◆
19		387 263 2752		1	SPACER WASHER	0.40mm		◆	◆	◆	◆
19		387 263 2852		1	SPACER WASHER	0.60mm		◆	◆	◆	◆
19		387 263 3052		1	SPACER WASHER	1.00mm		◆	◆	◆	◆
20		006 994 4241		1	LOCK					◆	◆

**NOTES :**

- [X1] : for gearbox numbered label no 715200 EPS
- [X2] : for gearboxes numbered label nos 715201-02 MPS
- [X3] : for gearboxes numbered label nos 715220-21-22-30 WSK 400+RETARDER
- [X4] : for gearboxes numbered label nos 715225-26 WSK 400+RETARDER, 715232-33 WSK 400+RETARDER NMW+NLP
- (1) from gearbox number of 125575
- (2) from gearbox number of 346270
- (3) to gearbox number of 346269
- (4) from gearbox number of 380571
- (5) to gearbox number of 380570
- (6) to gearbox number of 375914
- (7) from gearbox number of 375915

# GEARBOX G200-16

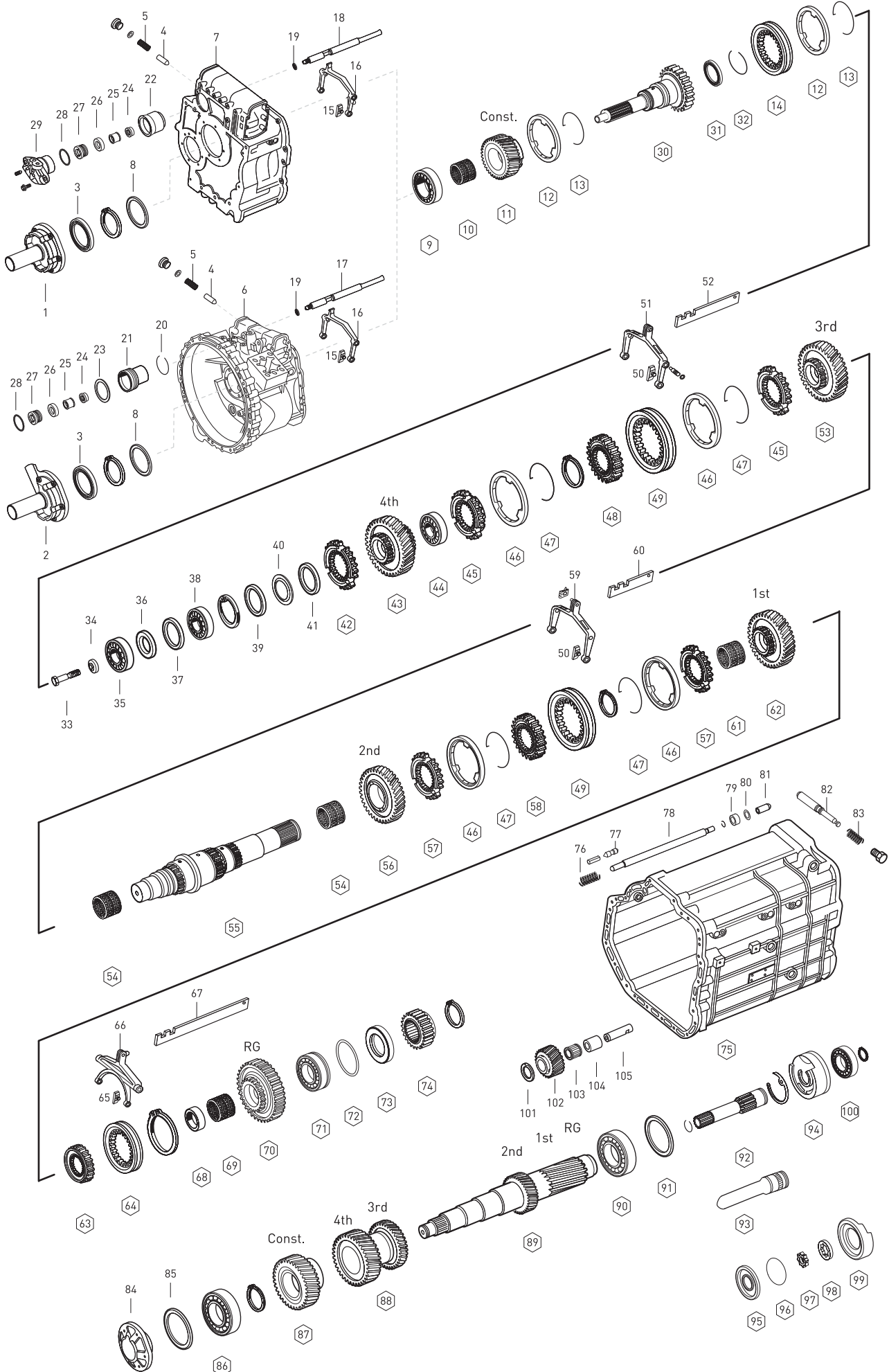


Fig.	o.	Oem No	Oem Old No	Pcs	Description	Sizes	Notes	[X1] : G200-16/11.9	[X2] : G200-16/11.9	[X3] : G200-16/11.9	[X4] : G200-16/11.9
21		945 267 0819	(945 267 0119)	1	CYLINDER					◆	◆
			(945 267 0719)								
			(945 267 0019)								
22		389 267 3319	(389 267 2119)	1	CYLINDER			◆	◆		
			(389 267 2219)								
			(389 267 0419)								
23		389 262 2555		1	THRUST WASHER	0.70mm				◆	◆
23		389 262 2655		1	THRUST WASHER	0.90mm				◆	◆
23		389 262 3254		1	THRUST WASHER	1.05mm				◆	
23		389 262 3354		1	THRUST WASHER	1.10mm				◆	◆
23		389 262 3554		1	THRUST WASHER	1.20mm				◆	◆
23		389 262 2052		1	THRUST WASHER	1.40mm				◆	◆
23		389 262 2355		1	THRUST WASHER	1.80mm				◆	◆
23		389 262 3252		1	THRUST WASHER	2.00mm				◆	◆
23		389 262 3352		1	THRUST WASHER	2.50mm				◆	◆
24		000 267 0197	(000 267 0397)	1	FLANGE PACKING			◆	◆	◆	◆
25		387 267 0650		1	BUSHING			◆	◆	◆	◆
26		012 997 3347	(006 997 6447)	1	DOUBLE PACKING			◆	◆	◆	◆
27		945 267 0218	(387 267 0918)	1	PISTON			◆	◆	◆	◆
			(387 267 0618)								
28		014 997 1248		1	O-RING	56.2X3.0mm		◆	◆		
28		022 997 4248		1	O-RING	55.6X3.0mm		◆	◆		
29		389 267 2819	(389 267 2719)	1	COVER			◆	◆		
			(389 267 2419)								
			(389 267 2319)								
			(389 267 1519)								
30		389 262 2901		1	INPUT SHAFT			◆	◆		
30		389 262 3101		1	INPUT SHAFT					◆	◆
31		018 997 7547	(018 997 7147)	1	OIL SEAL			◆	◆	◆	◆
32		389 262 0973		1	LOCK RING			◆	◆	◆	◆
33		389 990 1819		1	SCREW (Bolts -L- teeth)			◆	◆	◆	◆
34		389 262 0062		1	WASHER			◆	◆	◆	◆
35		008 981 2805	(008 981 4005)	1	ROLLER BEARING	40X90.97X32mm		◆	◆	◆	◆
36		389 262 6454		1	THRUST WASHER	2.50 mm		◆	◆	◆	◆
36		389 262 5552		1	THRUST WASHER	1.20 mm		◆	◆	◆	◆
36		2104149		1	THRUST WASHER	1.10 mm		◆	◆	◆	◆
36		2104148		1	THRUST WASHER	1.00 mm		◆	◆	◆	◆
36		2104147		1	THRUST WASHER	0.90 mm		◆	◆	◆	◆
36		389 262 5652		1	THRUST WASHER	0.80 mm		◆	◆	◆	◆
36		389 262 2954		1	THRUST WASHER	0.70mm		◆	◆	◆	◆
36		389 262 3054		1	THRUST WASHER	0.60mm		◆	◆	◆	◆

NOTES :

[X1] : for gearbox numbered label no 715200 EPS

[X2] : for gearboxes numbered label nos 715201-02 MPS

[X3] : for gearboxes numbered label nos 715220-21-22-30 WSK 400+RETARDER

[X4] : for gearboxes numbered label nos 715225-26 WSK 400+RETARDER,

715232-33 WSK 400+RETARDER NMW+NLP

# GEARBOX G200-16

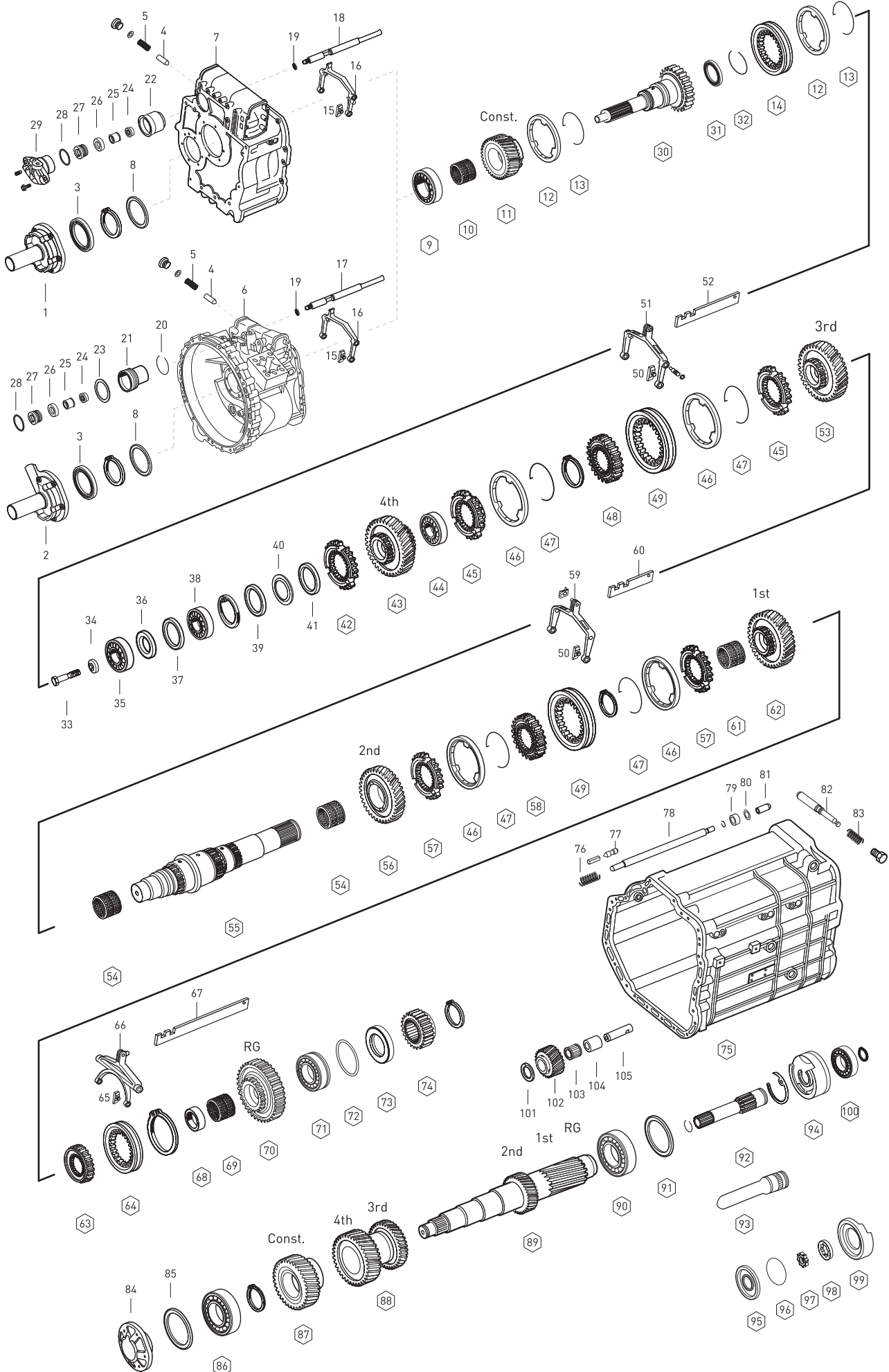


Fig.	o.	Oem No	Oem Old No	Pcs	Description	Sizes	Notes	[X1] : G200-16/11.9	[X2] : G200-16/11.9	[X3] : G200-16/11.9	[X4] : G200-16/11.9
36		389 262 5752		1	THRUST WASHER	0.50 mm		◆	◆	◆	◆
36		389 262 7954		1	THRUST WASHER	0.30 mm		◆	◆	◆	◆
36		389 262 5852		1	THRUST WASHER	0.20mm		◆	◆	◆	◆
36		389 262 5952		1	THRUST WASHER	0.10mm		◆	◆	◆	◆
37		389 262 3352		1	THRUST WASHER	2.50mm		◆	◆	◆	◆
37		389 262 3252		1	THRUST WASHER	2.00mm		◆	◆	◆	◆
37		389 262 3152		1	THRUST WASHER	1.95mm		◆	◆	◆	◆
37		389 262 3052		1	THRUST WASHER	1.90mm		◆	◆	◆	◆
37		389 262 2952		1	THRUST WASHER	1.85mm		◆	◆	◆	◆
37		389 262 2455		1	THRUST WASHER	1.82mm		◆	◆	◆	◆
37		389 262 2355		1	THRUST WASHER	1.79mm		◆	◆	◆	◆
37		389 262 2255		1	THRUST WASHER	1.76mm		◆	◆	◆	◆
37		389 262 2155		1	THRUST WASHER	1.73mm		◆	◆	◆	◆
37		389 262 2055		1	THRUST WASHER	1.67mm		◆	◆	◆	◆
37		389 262 1955		1	THRUST WASHER	1.64mm		◆	◆	◆	◆
37		389 262 1855		1	THRUST WASHER	1.61mm		◆	◆	◆	◆
37		389 262 1755		1	THRUST WASHER	1.58mm		◆	◆	◆	◆
37		389 262 2352		1	THRUST WASHER	1.55mm		◆	◆	◆	◆
37		389 262 1655		1	THRUST WASHER	1.52mm		◆	◆	◆	◆
37		389 262 1555		1	THRUST WASHER	1.49mm		◆	◆	◆	◆
37		389 262 1455		1	THRUST WASHER	1.46mm		◆	◆	◆	◆
37		389 262 1355		1	THRUST WASHER	1.43mm		◆	◆	◆	◆
37		389 262 2052		1	THRUST WASHER	1.40mm		◆	◆	◆	◆
37		389 262 1952		1	THRUST WASHER	1.35mm		◆	◆	◆	◆
37		389 262 2754		1	THRUST WASHER	1.30mm		◆	◆	◆	◆
37		389 262 3654		1	THRUST WASHER	1.25mm		◆	◆	◆	◆
37		389 262 3554		1	THRUST WASHER	1.20mm		◆	◆	◆	◆
37		389 262 3454		1	THRUST WASHER	1.15mm		◆	◆	◆	◆
37		389 262 3354		1	THRUST WASHER	1.10mm		◆	◆	◆	◆
37		389 262 3254		1	THRUST WASHER	1.05mm		◆	◆	◆	◆
37		389 262 2854		1	THRUST WASHER	0.50mm		◆	◆	◆	◆
38		014 981 1505		1	ROLLER BEARING	55X90X23mm		◆	◆	◆	◆
39		389 262 1251		1	THRUST WASHER	2.20mm		◆	◆	◆	◆
39		389 262 2151		1	THRUST WASHER	2.15mm		◆	◆	◆	◆
39		389 262 1151		1	THRUST WASHER	2.10mm		◆	◆	◆	◆
39		389 262 2051		1	THRUST WASHER	2.05mm		◆	◆	◆	◆
39		389 262 1051		1	THRUST WASHER	2.00mm		◆	◆	◆	◆
39		389 262 0951		1	THRUST WASHER	1.90mm		◆	◆	◆	◆
39		389 262 0851		1	THRUST WASHER	1.80mm		◆	◆	◆	◆
39		389 262 1751		1	THRUST WASHER	1.75mm		◆	◆	◆	◆
39		2104157		1	THRUST WASHER	1.60mm		◆	◆	◆	◆

NOTES :

[X1] : for gearbox numbered label no 715200 EPS

[X2] : for gearboxes numbered label nos 715201-02 MPS

[X3] : for gearboxes numbered label nos 715220-21-22-30 WSK 400+RETARDER

[X4] : for gearboxes numbered label nos 715225-26 WSK 400+RETARDER,

715232-33 WSK 400+RETARDER NMW+NLP

# GEARBOX G200-16

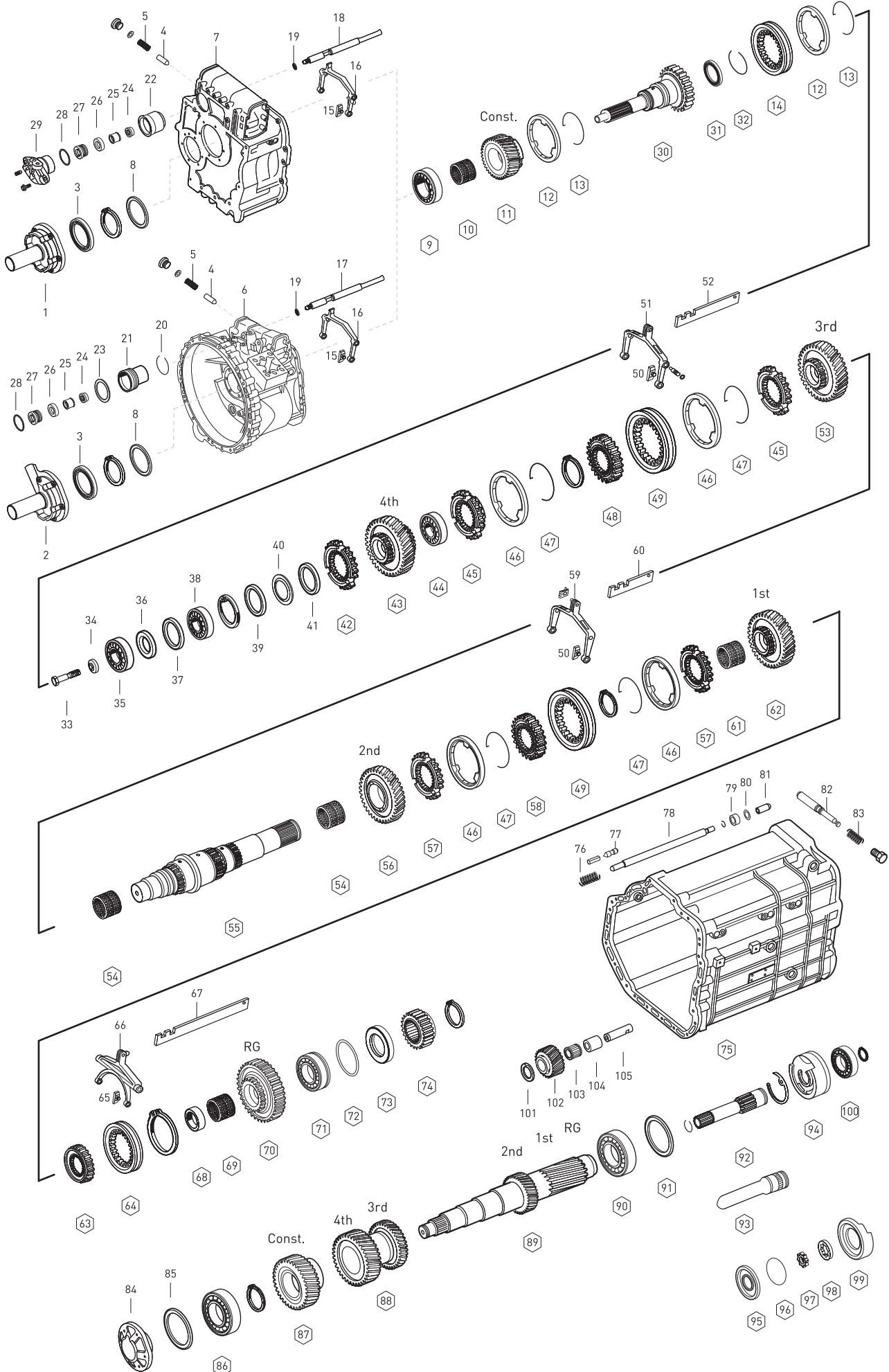




Fig.	o.	Oem No	Oem Old No	Pcs	Description	Sizes	Notes	[X1] : G200-16/11.9	[X2] : G200-16/11.9	[X3] : G200-16/11.9	[X4] : G200-16/11.9
40		389 262 1854		1	SPACER WASHER	7.00mm		◆	◆	◆	◆
41		389 262 2751		1	THRUST WASHER	5.40mm		◆	◆	◆	◆
41		389 262 2951		1	THRUST WASHER	5.50mm		◆	◆	◆	◆
41		389 262 3151		1	THRUST WASHER	5.60mm		◆	◆	◆	◆
41		389 262 3351		1	THRUST WASHER	5.70mm		◆	◆	◆	◆
41		389 262 3551		1	THRUST WASHER	5.80mm		◆	◆	◆	◆
41		389 262 3751		1	THRUST WASHER	5.90mm		◆	◆	◆	◆
41		389 262 3951		1	THRUST WASHER	6.00mm		◆	◆	◆	◆
41		389 262 4151		1	THRUST WASHER	6.10mm		◆	◆	◆	◆
41		389 262 4351		1	THRUST WASHER	6.20mm		◆	◆	◆	◆
41		389 262 4551		1	THRUST WASHER	6.30mm		◆	◆	◆	◆
41		389 262 4751		1	THRUST WASHER	6.40mm		◆	◆	◆	◆
41		389 262 4951		1	THRUST WASHER	6.50mm		◆	◆	◆	◆
41		389 262 5151		1	THRUST WASHER	6.60mm		◆	◆	◆	◆
42		389 262 5634	(389 262 3934)	1	ENGAGING RING			◆	◆	◆	◆
43		389 262 5610	(389 262 4410)	1	GEAR 4th 24 T			◆	◆	◆	◆
44		015 981 7705	(014 981 1605)	1	ROLLER BEARING			◆	◆	◆	◆
45		945 262 0534	(389 262 5034)	2	ENGAGING RING	173.5mm		◆	◆	◆	◆
46		389 262 0737		4	SYNCHRONIZING CONE	196.0mm		◆	◆	◆	◆
47		387 262 0893		4	SPRING	167.0mm		◆	◆	◆	◆
48		389 262 1535		1	GUIDE SLEEVE			◆	◆	◆	◆
49		389 262 2923	(389 262 0723)	2	ENGAGING SLEEVE			◆	◆	◆	◆
50		389 265 2349	(389 265 1149)	4	SLIDING PAD			◆	◆	◆	◆
51		389 260 4230	(389 260 3030)	1	SHIFTING FORK			◆	◆	◆	◆
52		389 265 6304		1	SHIFTING ROD			◆	◆	◆	◆
53		389 262 2113		1	GEAR 3rd			◆	◆	◆	◆
54		018 981 6610		2	NEEDLE CAGE	85X93X53mm		◆	◆	◆	◆
55		389 262 1505		1	MAIN SHAFT (-L- teeth)			◆	◆	◆	◆
56		389 262 1312	(389 262 1212)	1	GEAR 2nd			◆	◆	◆	◆
57		945 262 0434	(389 262 0034)	2	ENGAGING RING			◆	◆	◆	◆
58		389 262 0035		1	GUIDE SLEEVE			◆	◆	◆	◆
59		389 260 4430	(389 260 0130)	1	SHIFTING FORK			◆	◆	◆	◆
60		389 265 6404		1	SHIFTING ROD			◆	◆	◆	◆
61		017 981 0210	(019 981 0910)	1	NEEDLE CAGE	75X83X55mm		◆	◆	◆	◆
			(012 981 9210)								
			(008 981 8310)								
			(019 981 4410)								
62		389 262 1611	(389 262 1511)	1	GEAR 1st			◆	◆	◆	◆
63		389 262 0135		1	HUB			◆	◆	◆	◆
64		389 262 1823	(389 262 0923)	1	ENGAGING SLEEVE		(8)	◆			
64		389 262 1723	(389 262 0023)	1	ENGAGING SLEEVE		(9)		◆	◆	◆

NOTES :

[X1] : for gearbox numbered label no 715200 EPS

[X2] : for gearboxes numbered label nos 715201-02 MPS

[X3] : for gearboxes numbered label nos 715220-21-22-30 WSK 400+RETARDER

[X4] : for gearboxes numbered label nos 715225-26 WSK 400+RETARDER, 715232-33 WSK 400+RETARDER NMW+NLP

(8) from gearbox number of 151983

(9) to gearbox number of 151982

# GEARBOX G200-16

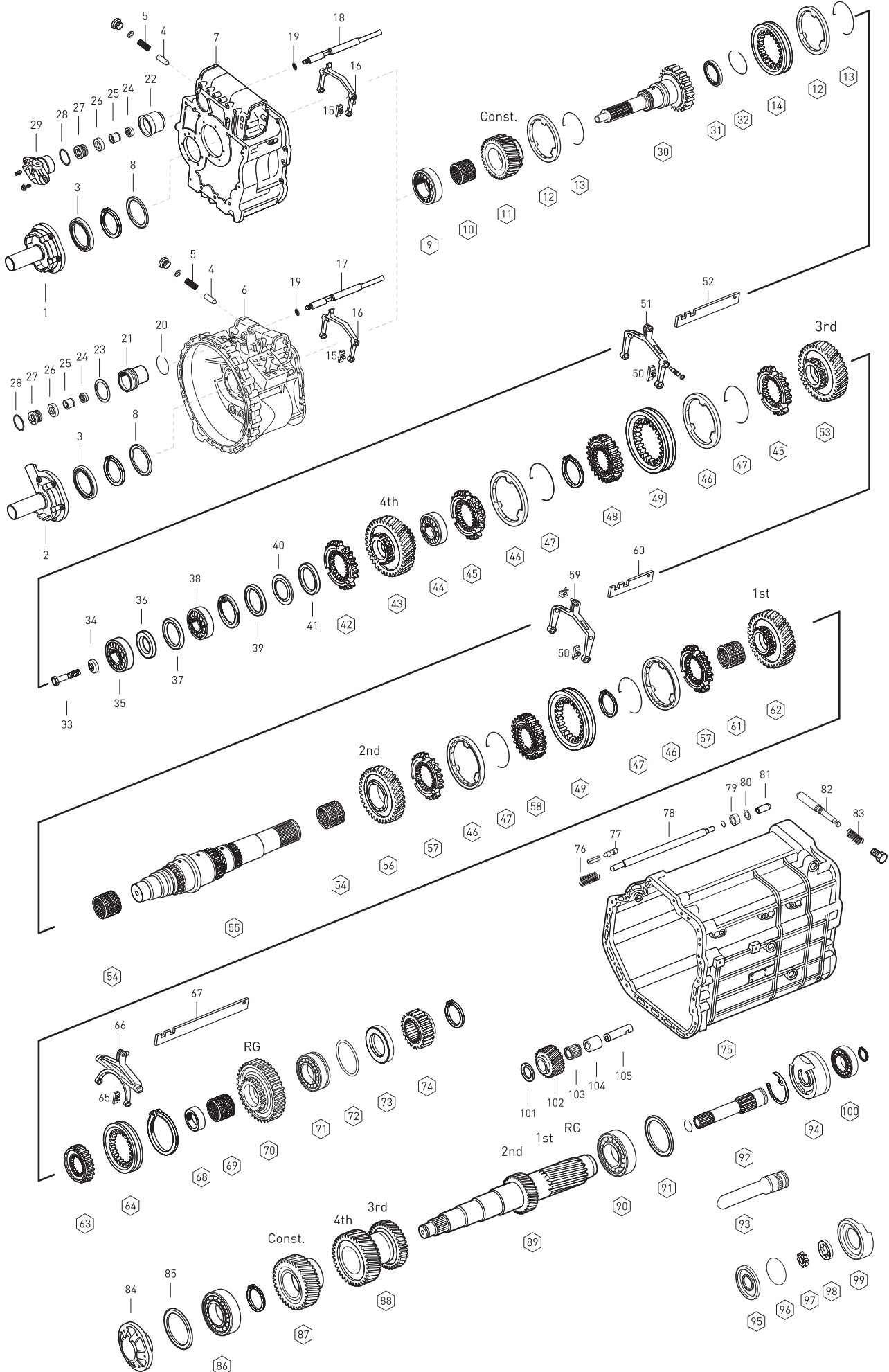


Fig	o.	Oem No	Oem Old No	Pcs	Description	Sizes	Notes	[X1] : G200-16/11.9	[X2] : G200-16/11.9	[X3] : G200-16/11.9	[X4] : G200-16/11.9
65		947 265 0249	(945 265 0149)	2	SLIDING PAD			◆	◆	◆	◆
66		389 260 4730	(389 260 1630)	1	SHIFTING FORK			◆	◆	◆	◆
67		389 265 3504		1	SHIFTING ROD			◆	◆	◆	◆
68		389 262 2550	(389 262 1650)	1	BEARING RACE			◆	◆	◆	◆
			(389 262 0050)								
69		009 981 1510	(017 981 7810)	1	NEEDLE CAGE	76X85X35mm		◆	◆	◆	◆
70		389 262 1033		1	REVERSE GEAR		(8)	◆			
70		389 262 0333	(389 262 0033)	1	REVERSE GEAR		(9)		◆	◆	◆
71		016 981 1305	(014 981 7505)	1	ROLLER BEARING	60X130X30mm		◆	◆	◆	◆
72		389 262 3552		1	SHIM	0.10mm		◆	◆	◆	◆
72		389 262 3652		1	SHIM	0.15mm		◆	◆	◆	◆
72		389 262 3752		1	SHIM	0.20mm		◆	◆	◆	◆
72		389 262 3852		1	SHIM	0.40mm		◆	◆	◆	◆
72		389 262 3952		1	SHIM	0.80mm		◆	◆	◆	◆
73		389 262 3754		1	THRUST WASHER			◆	◆	◆	◆
74		389 262 0209		1	SUN GEAR			◆	◆	◆	◆
75		655 260 3623	(389 261 3126)	1	HOUSING		(4)	◆	◆	◆	◆
75		389 261 2903	(389 261 3303)	1	HOUSING		(5)	◆	◆	◆	◆
76		389 993 0501		1	SPRING				◆	◆	◆
77		389 267 0474		1	PIN				◆	◆	◆
78		389 268 4825		1	SHIFTING ROD				◆	◆	◆
79		389 268 0051		1	SPACER RING				◆	◆	◆
80		000988 006 019		1	FITTED WASHER	0.10mm			◆	◆	◆
80		000988 006 020		1	FITTED WASHER	0.20mm			◆	◆	◆
80		000988 006 021		1	FITTED WASHER	0.30mm			◆	◆	◆
80		000988 006 013		1	FITTED WASHER	0.50mm			◆	◆	◆
80		000988 006 001		1	FITTED WASHER	1.00mm			◆	◆	◆
81		389 268 0674		1	PIN				◆	◆	◆
82		389 267 0974		1	PIN				◆	◆	◆
82		945 267 0274	(389 267 0274)	1	PIN			◆			
83		389 993 0601		1	SPRING				◆	◆	◆
83		389 993 3401		1	SPRING			◆			
84		389 261 1933		1	COVER			◆	◆	◆	◆
85		406 337 0252		1	SHIM	0.10mm		◆	◆	◆	◆
85		406 337 0352		1	SHIM	0.20mm		◆	◆	◆	◆
85		389 263 3252		1	SHIM	0.40mm		◆	◆	◆	◆
85		389 263 3352		1	SHIM	0.45mm		◆	◆	◆	◆
85		389 263 3852		1	SHIM	0.70mm		◆	◆	◆	◆
85		389 263 3952		1	SHIM	0.75mm		◆	◆	◆	◆
85		389 263 5352		1	SHIM	0.40mm		◆	◆	◆	◆
85		389 263 5852		1	SHIM	0.55mm		◆	◆	◆	◆

NOTES :

- [X1] : for gearbox numbered label no 715200 EPS
- [X2] : for gearboxes numbered label nos 715201-02 MPS
- [X3] : for gearboxes numbered label nos 715220-21-22-30 WSK 400+RETARDER
- [X4] : for gearboxes numbered label nos 715225-26 WSK 400+RETARDER,  
715232-33 WSK 400+RETARDER NMW+NLP
- (4) from gearbox number of 380571
- (5) to gearbox number of 380570
- (8) from gearbox number of 151983
- (9) to gearbox number of 151982

# GEARBOX G200-16

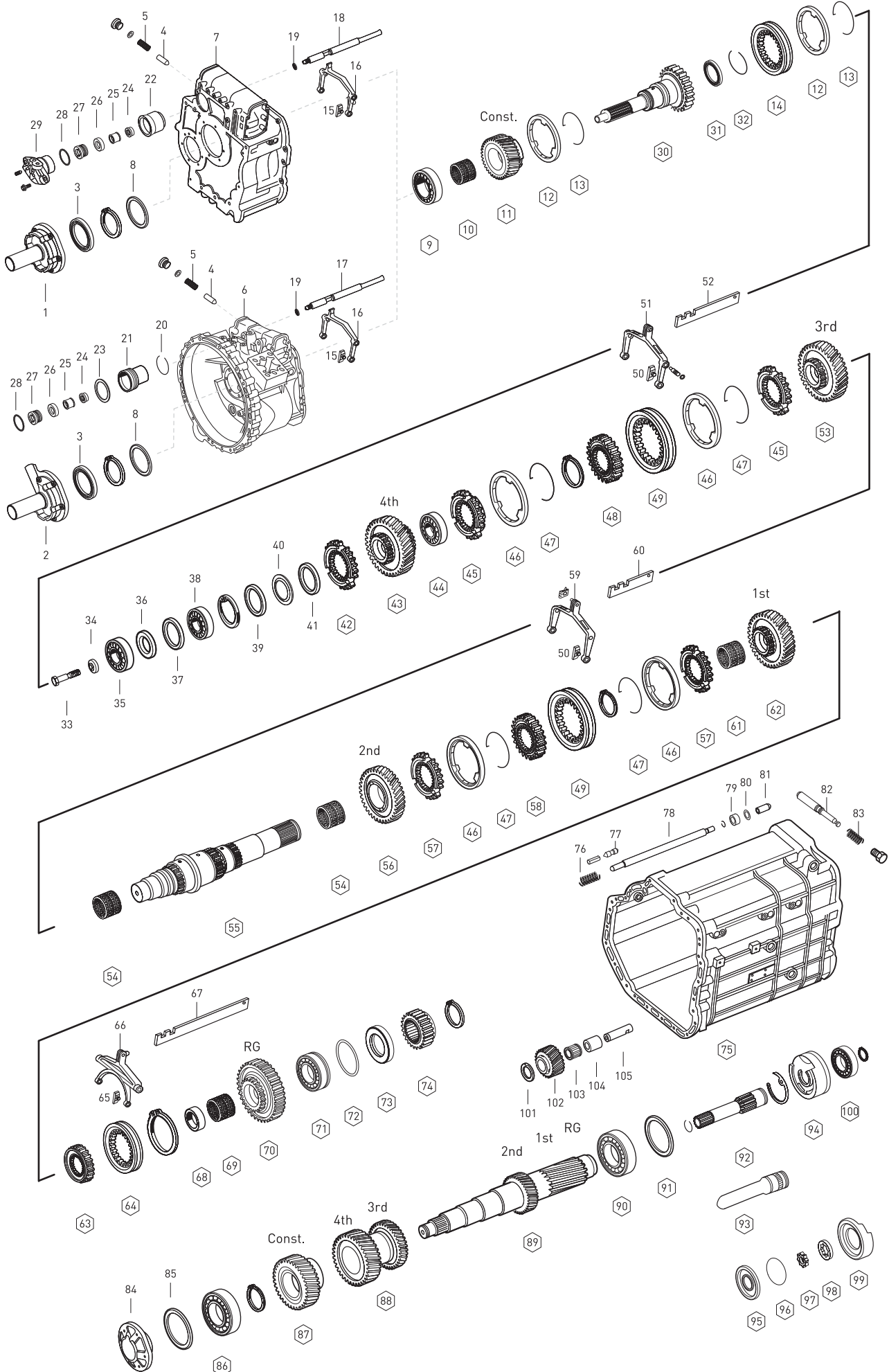


Fig.	o.	Oem No	Oem Old No	Pcs	Description	Sizes	Notes	[X1] : G200-16/11.9	[X2] : G200-16/11.9	[X3] : G200-16/11.9	[X4] : G200-16/11.9
85		389 263 6352		1	SHIM	0.70mm		◆	◆	◆	◆
85		389 263 6852		1	SHIM	0.85mm		◆	◆	◆	◆
85		389 263 7352		1	SHIM	1.00mm		◆	◆	◆	◆
85		389 263 7852		1	SHIM	1.15mm		◆	◆	◆	◆
85		389 263 8352		1	SHIM	1.30mm		◆	◆	◆	◆
86		014 981 1405	(013 981 0605)	1	ROLLER BEARING	51X100X37.5mm		◆	◆	◆	◆
87		389 263 1110		1	CONSTANT GEAR			◆	◆	◆	◆
88		389 263 1413		1	DOUBLE GEAR 3rd/4th			◆	◆	◆	◆
89		389 263 0802		1	COUNTER SHAFT			◆	◆	◆	◆
90		012 981 9405	(016 981 1205)	1	ROLLER BEARING	60x130x34mm		◆	◆	◆	◆
91		389 263 0152		1	SHIM	0.10mm		◆	◆	◆	◆
91		389 263 4052		1	SHIM	0.60mm		◆	◆	◆	◆
91		389 263 4152		1	SHIM	0.65mm		◆	◆	◆	◆
91		389 263 4252		1	SHIM	0.70mm		◆	◆	◆	◆
91		389 263 4352		1	SHIM	0.75mm		◆	◆	◆	◆
91		389 263 0552		1	SHIM	0.80mm		◆	◆	◆	◆
91		389 263 4452		1	SHIM	0.85mm		◆	◆	◆	◆
91		389 263 4552		1	SHIM	0.90mm		◆	◆	◆	◆
91		389 263 4652		1	SHIM	0.95mm		◆	◆	◆	◆
91		389 263 4752		1	SHIM	1.00mm		◆	◆	◆	◆
91		389 263 4852		1	SHIM	1.05mm		◆	◆	◆	◆
91		389 263 4952		1	SHIM	1.10mm		◆	◆	◆	◆
91		389 263 5052		1	SHIM	1.15mm		◆	◆	◆	◆
92		947 264 0005	(389 269 1210)	1	OIL PUMP SHAFT			◆	◆	◆	◆
			(389 269 0310)								
93		945 269 0067		1	OIL COLLECTOR			◆	◆	◆	◆
94		389 260 0690	(389 260 0590)	1	OIL PUMP			◆	◆	◆	◆
95		945 269 0201		1	OIL PUMP COVER			◆	◆	◆	◆
96		029 997 5748		1	O-RING			◆	◆	◆	◆
97		389 269 1406		1	OIL PUMP GEAR			◆	◆	◆	◆
98		389 269 0706		1	ROTOR			◆	◆	◆	◆
99		389 269 3801		1	OIL PUMP HOUSING			◆	◆	◆	◆
100		004 981 8625		1	ROLLER BEARING			◆	◆	◆	◆
101		389 263 0062		2	THRUST WASHER		(10)	◆	◆	◆	◆
102		389 263 1531		1	REV.IDLER GEAR		(11)	◆	◆	◆	◆
102		389 263 0331	(389 263 0031)	1	REV.IDLER GEAR		(10)	◆	◆	◆	◆
103		019 981 1310	(012 981 8910)	1	NEEDLE CAGE			◆	◆	◆	◆
104		389 263 0850		1	BUSHING		(11)	◆	◆	◆	◆
104		389 263 0050		1	BUSHING		(10)	◆	◆	◆	◆
105		389 263 0430		1	PIN			◆	◆	◆	◆
105		976 263 0030		1	PIN			◆	◆	◆	◆

NOTES :

[X1] : for gearbox numbered label no 715200 EPS

[X2] : for gearboxes numbered label nos 715201-02 MPS

[X3] : for gearboxes numbered label nos 715220-21-22-30 WSK 400+RETARDER

[X4] : for gearboxes numbered label nos 715225-26 WSK 400+RETARDER,

715232-33 WSK 400+RETARDER NMW+NLP

(10) used in conjunction with the encoded parts

(11) used in conjunction with the encoded parts

# GEARBOX G200-16

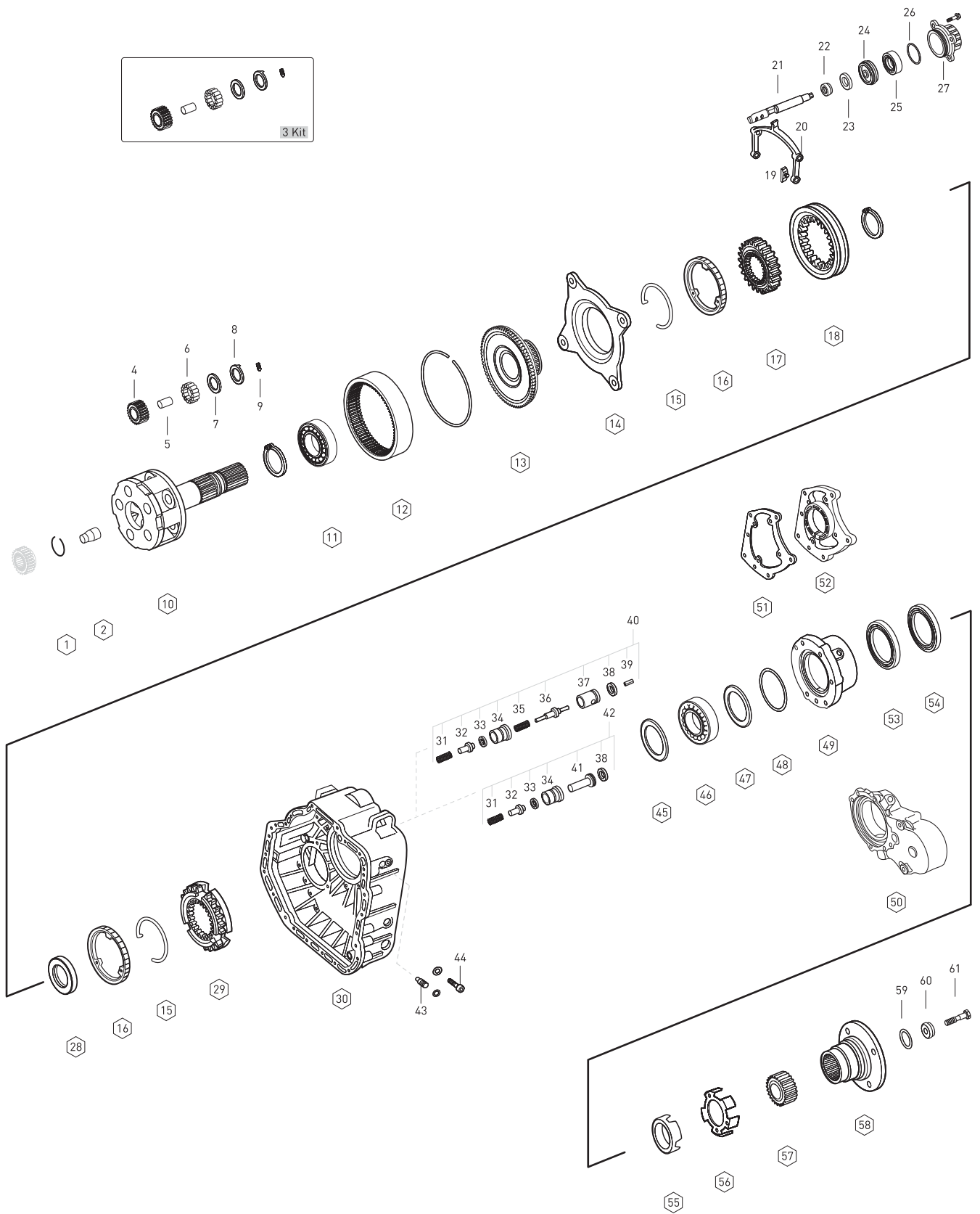


Fig	Oem No	Oem Old No	Pcs.	Description	Sizes	Notes	[X1] : G200-16/11.9	[X2] : G200-16/11.9	[X3] : G200-16/11.9	[X4] : G200-16/11.9	[X5] : G200-16/11.9	[X6] : G200-16/11.9
1	007993 040 200		1	SNAP RING			◆	◆	◆	◆	◆	◆
2	389 269 0134		1	OIL TUBE			◆	◆	◆	◆	◆	◆
3	389 260 0497		5	PLANETARY GEAR SET			◆	◆	◆	◆	◆	◆
4	2106034		5	PLAN.GEAR 26 T	Ø=88.50X41.00=H		◆	◆	◆	◆	◆	◆
5	389 262 0407		5	PLANETARY SHAFT			◆	◆	◆	◆	◆	◆
6	019 981 4386	(009 981 4186)	125	NEEDLE ROLLER	4.995X39.60mm		◆	◆	◆	◆	◆	◆
7	389 262 6462	(389 262 0162)	10	THRUST WASHER	35.35X43.90X1.00		◆	◆	◆	◆	◆	◆
8	945 262 0162	(389 262 0262)	10	THRUST WASHER	35.35X65.50X1.25		◆	◆	◆	◆	◆	◆
9	000914 006 109		5	THREADED PIN	5.90X13.90mm		◆	◆	◆	◆	◆	◆
10	389 260 9061	(389 260 8961)	1	PLANETARY CARRIER			◆	◆	◆	◆	◆	◆
		(389 260 7661)										
		(389 260 1361)										
11	008 981 1325		1	ROLLER BEARING	90X130X14mm		◆	◆	◆	◆	◆	◆
12	389 262 0408		1	RING WHEEL			◆	◆	◆	◆	◆	◆
13	389 262 0525		1	CARRIER HUB			◆	◆	◆	◆	◆	◆
14	389 260 2036		1	FOLLOWER RING			◆	◆	◆	◆	◆	◆
15	389 262 0293		2	SPRING			◆	◆	◆	◆	◆	◆
16	389 262 0537		2	SYNCHRONIZING CONE			◆	◆	◆	◆	◆	◆
17	389 262 4935	(389 262 2035)	1	GUIDE SLEEVE			◆	◆	◆	◆	◆	◆
18	945 262 6623	(945 262 2623)	1	ENGAGING SLEEVE			◆	◆	◆	◆	◆	◆
		(945 262 0823)										
		(389 262 3823)										
		(389 262 3623)										
		(389 262 1623)										
19	389 265 2449		2	SLIDING PAD			◆	◆	◆	◆	◆	◆
20	947 265 1701	(947 265 1901)	1	SHIFTING FORK			◆	◆	◆	◆	◆	◆
		(930 265 0001)										
		(389 265 0901)										
		(389 265 0201)										
21	389 267 7217	(389 267 3917)	1	SHIFTING ROD				◆	◆	◆	◆	◆
21	389 267 3417		1	SHIFTING ROD			◆					
22	000 267 0197	(000 267 0397)	1	FLANGE PACKING			◆	◆	◆	◆	◆	◆
23	387 267 0650		1	BUSHING			◆	◆	◆	◆	◆	◆
24	389 267 1018	(389 267 0118)	1	PISTON			◆	◆	◆	◆	◆	◆
25	024 997 8347	(020 997 6747)	1	SEAL RING			◆	◆	◆	◆	◆	◆
		(014 997 3647)										
		(014 997 5147)										
26	013 997 7548		1	O-RING			◆	◆	◆	◆	◆	◆
27	945 267 1119	(389 267 2919)	1	SHIFTING CYLINDER			◆	◆	◆	◆	◆	◆
		(389 267 1319)										
		(389 267 1419)										

NOTES :

- [X1] : for gearbox numbered label no 715200 EPS
- [X2] : for gearboxes numbered label nos 715201-02 MPS, 715225-26 WSK 400+RETARDER
- [X3] : for gearboxes numbered label nos 715220-22 WSK 400+RETARDER
- [X4] : for gearbox numbered label no 715221 WSK 400+RETARDER
- [X5] : for gearbox numbered label no 715230 WSK 400+RETARDER
- [X6] : for gearboxes numbered label nos 715232-33 WSK 400+RETARDER NMW+NLP

G200-16

# GEARBOX G200-16

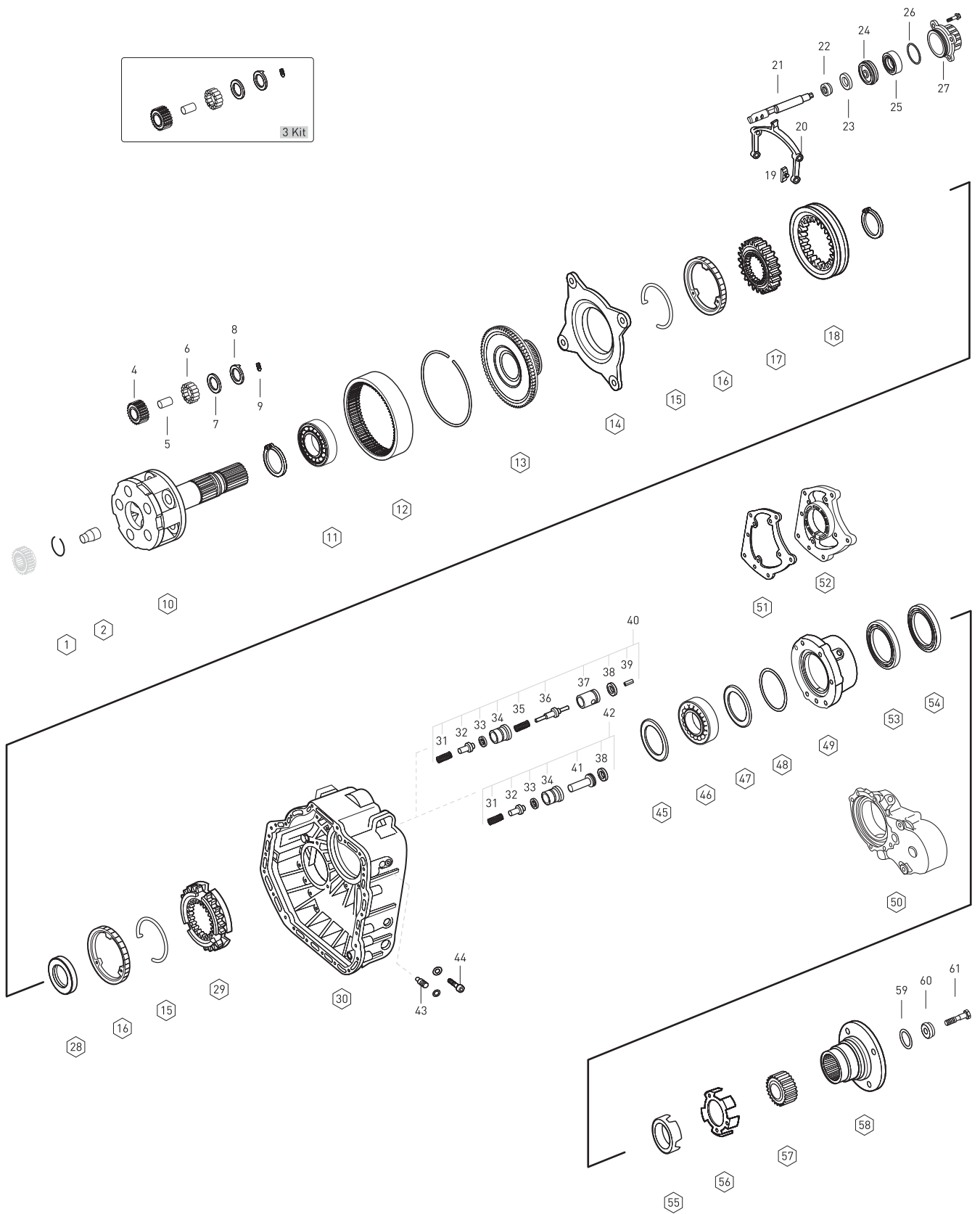




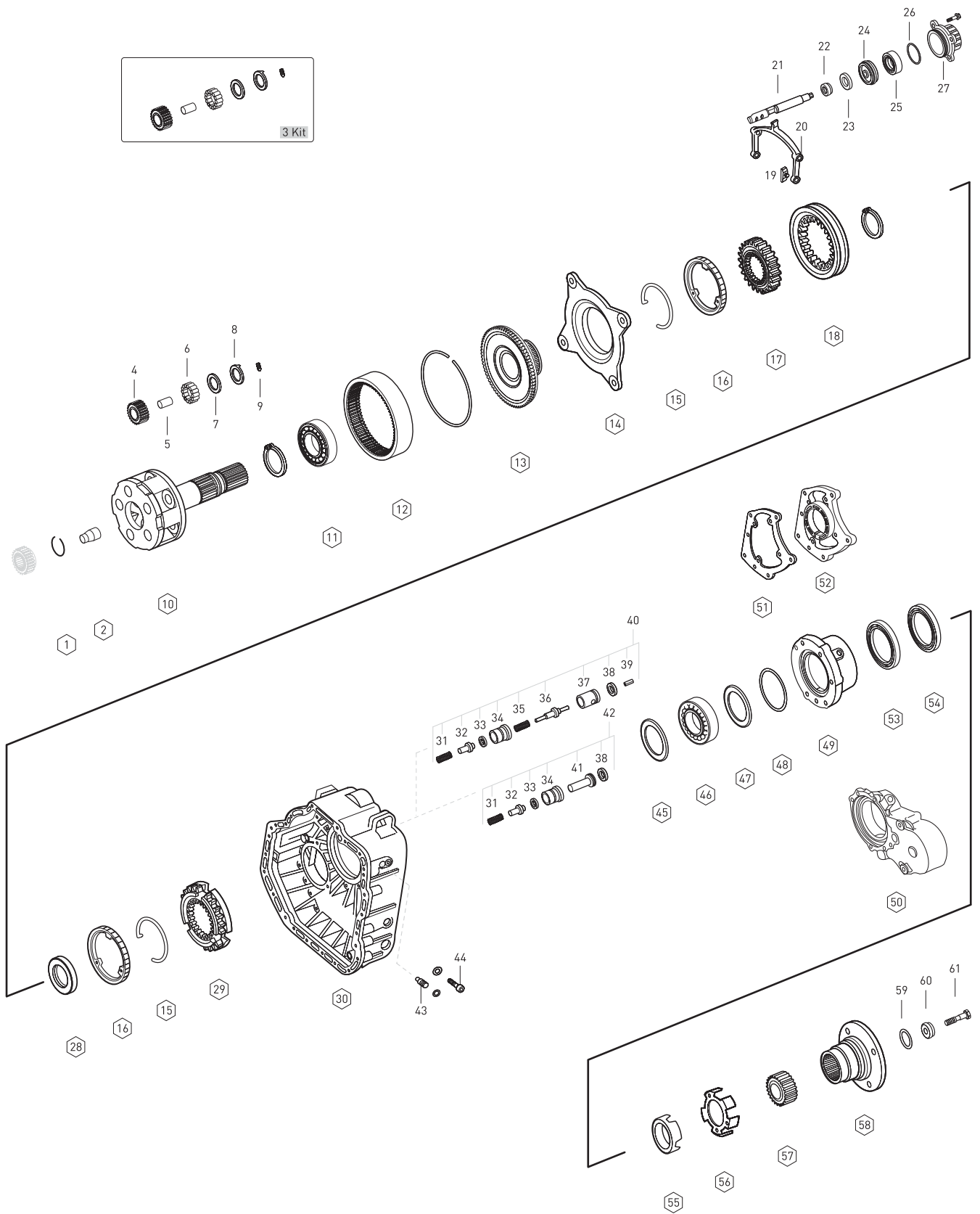
Fig.	o. Oem No	Oem Old No	Pcs	Description	Sizes	Notes	[X1] : G200-16/11.9	[X2] : G200-16/11.9	[X3] : G200-16/11.9	[X4] : G200-16/11.9	[X5] : G200-16/11.9	[X6] : G200-16/11.9
27	945 267 1119	(389 267 4219)	1	SHIFTING CYLINDER			◆	◆	◆	◆	◆	◆
28	389 262 0251		1	SPACER RING			◆	◆	◆	◆	◆	◆
29	389 262 9134		1	ENGAGING RING		(1)	◆	◆	◆	◆	◆	◆
29	389 262 4034		1	ENGAGING RING		(2)	◆	◆	◆	◆	◆	◆
30	389 261 5126	(389 261 4926)	1	HOUSING		(1)	◆	◆	◆	◆	◆	◆
30	389 261 4703	(389 261 4603)	1	HOUSING		(2)	◆	◆	◆	◆	◆	◆
		(389 261 2703)										
		(389 261 1203)										
30	389 261 2126	(389 261 2226)	1	HOUSING			◆	◆	◆	◆	◆	◆
		(389 261 2326)										
		(389 261 2426)										
		(389 261 7803)										
		(389 261 7903)										
31	389 993 5301		1	SPRING			◆	◆	◆	◆	◆	◆
32	389 269 1026	(389 269 0926)	1	SELECTOR VALVE			◆	◆	◆	◆	◆	◆
33	013 997 0148		1	O-RING	13.3X2.4mm		◆	◆	◆	◆	◆	◆
33	015 997 6048		1	O-RING	23.3X2.4mm		◆	◆	◆	◆	◆	◆
34	389 269 1444	(389 269 0744)	1	VALVE INSERT			◆	◆	◆	◆	◆	◆
		(389 269 0144)										
35	389 993 4401		1	SPRING	11.5X41.9X1.0mm		◆	◆	◆	◆	◆	◆
36	389 269 0826		1	SELECTOR VALVE			◆	◆	◆	◆	◆	◆
37	389 269 0844		1	BALL			◆	◆	◆	◆	◆	◆
38	013 997 0048		1	O-RING	19.2X3.0mm		◆	◆	◆	◆	◆	◆
39	001481 004 001		1	CLAMPING SLEEVE			◆	◆	◆	◆	◆	◆
40	655 260 0157		1	VALVE KIT	(PT0)		◆	◆				◆
41	389 265 0176	(389 265 0076)	1	WASHER					◆	◆	◆	
42	655 260 0057		1	VALVE KIT					◆	◆	◆	
43	389 265 0974		2	PIN			◆	◆	◆	◆	◆	◆
43	945 265 1474	(945 265 1774)	2	PIN			◆	◆	◆	◆	◆	◆
		(389 265 2874)										
44	007984 008 013		2	SCREW			◆	◆	◆	◆	◆	◆
45	389 262 3954		1	THRUST WASHER	3.50mm		◆	◆	◆	◆	◆	◆
46	004 981 8525		1	ROLLER BEARING			◆	◆	◆	◆	◆	◆
46	004 981 8925		1	ROLLER BEARING			◆	◆	◆	◆	◆	◆
46	004 981 9325		1	ROLLER BEARING			◆	◆	◆	◆	◆	◆
47	389 262 7754		1	THRUST WASHER	1.40mm		◆	◆	◆	◆	◆	◆
47	389 262 5152		1	THRUST WASHER	0.80mm		◆	◆	◆	◆	◆	◆
47	389 262 5052		1	THRUST WASHER	0.40mm		◆	◆	◆	◆	◆	◆
47	389 262 7654		1	THRUST WASHER	0.25mm		◆	◆	◆	◆	◆	◆
47	389 262 4952		1	THRUST WASHER	0.20mm		◆	◆	◆	◆	◆	◆
47	389 262 4852		1	THRUST WASHER	0.15mm		◆	◆	◆	◆	◆	◆

NOTES :

- [X1] : for gearbox numbered label no 715200 EPS
- [X2] : for gearboxes numbered label nos 715201-02 MPS, 715225-26 WSK 400+RETARDER
- [X3] : for gearboxes numbered label nos 715220-22 WSK 400+RETARDER
- [X4] : for gearbox numbered label no 715221 WSK 400+RETARDER
- [X5] : for gearbox numbered label no 715230 WSK 400+RETARDER
- [X6] : for gearboxes numbered label nos 715232-33 WSK 400+RETARDER NMW+NLP
- (1) from gearbox number of 380571
- (2) to gearbox number of 380570

G200-16

# GEARBOX G200-16





## SYNCHRONIZER KIT CONST.

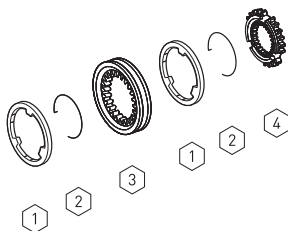


Fig.	o. Oem No	Oem Old No	Pcs	Description
	<b>2106190</b>		Kit	SYNCHRONIZER KIT Const
1	<b>389 262 0637</b>		2	SYNCHRONIZING CONE
2	<b>387 262 1093</b>		2	SPRING
3	<b>389 262 3023</b>	<b>(389 262 2223)</b>	1	ENGAGING SLEEVE
		<b>(389 262 0623)</b>		
4	<b>389 262 5634</b>	<b>(389 262 3934)</b>	1	ENGAGING RING

## SYNCHRONIZER KIT 3rd/4th

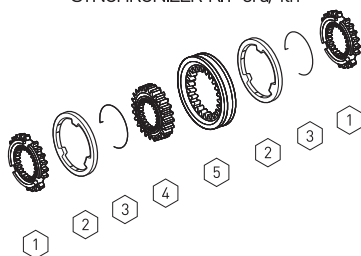


Fig.	o. Oem No	Oem Old No	Pcs	Description
	<b>2106207</b>		Kit	SYNCH.KIT 3rd/4th
1	<b>945 262 0534</b>	<b>(389 262 5034)</b>	2	ENGAGING RING
2	<b>389 262 0737</b>		2	SYNCHRONIZING CONE
3	<b>387 262 0893</b>		2	SPRING
4	<b>389 262 1535</b>		1	GUIDE SLEEVE
5	<b>389 262 2923</b>	<b>(389 262 0723)</b>	1	ENGAGING SLEEVE

## SYNCHRONIZER KIT 1st/2nd

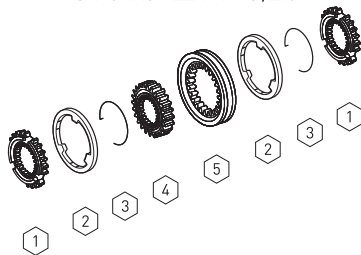


Fig.	o. Oem No	Oem Old No	Pcs	Description
	<b>2106192</b>		Kit	SYNCH.KIT 1st/2nd
1	<b>945 262 0434</b>	<b>(389 262 0034)</b>	2	ENGAGING RING
2	<b>389 262 0737</b>		2	SYNCHRONIZING CONE
3	<b>387 262 0893</b>		2	SPRING
4	<b>389 262 0035</b>		1	GUIDE SLEEVE
5	<b>389 262 2923</b>	<b>(389 262 0723)</b>	1	ENGAGING SLEEVE

## SYNCHRONIZER KIT PLANETARY

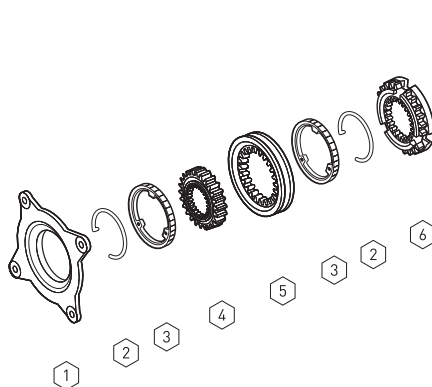


Fig.	o. Oem No	Oem Old No	Pcs	Description
	<b>2106193</b>		Kit	SYNCH.KIT PLANETARY
1	<b>389 260 2036</b>		1	FOLLOWER RING
2	<b>389 262 0293</b>		2	SPRING
3	<b>389 262 0537</b>		2	SYNCHRONIZING CONE
4	<b>389 262 4935</b>	<b>(389 262 2035)</b>	1	GUIDE SLEEVE
5	<b>945 262 6623</b>	<b>(945 262 2623)</b>	1	ENGAGING SLEEVE
		<b>(945 262 0823)</b>		
		<b>(389 262 3823)</b>		
		<b>(389 262 3623)</b>		
		<b>(389 262 1623)</b>		
6	<b>389 262 9134</b>		1	ENGAGING RING

## SYNCHRONIZER KIT PLANETARY

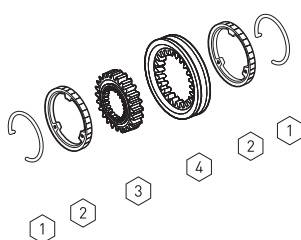
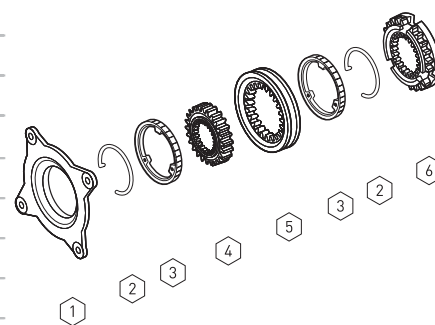


Fig.	o. Oem No	Oem Old No	Pcs	Description
	<b>2106194</b>		Kit	SYNCH.KIT PLANETARY
1	<b>389 262 0293</b>		2	SPRING
2	<b>389 262 0537</b>		2	SYNCHRONIZING CONE
3	<b>389 262 4935</b>	<b>(389 262 2035)</b>	1	GUIDE SLEEVE
4	<b>945 262 6623</b>	<b>(945 262 2623)</b>	1	ENGAGING SLEEVE
		<b>(945 262 0823)</b>		
		<b>(389 262 3823)</b>		
		<b>(389 262 3623)</b>		
		<b>(389 262 1623)</b>		

Fig.	o. Oem No	Oem Old No	Pcs	Description
	<b>2106195</b>		Kit	SYNCH.KIT PLANETARY
1	<b>389 260 2036</b>		1	FOLLOWER RING
2	<b>389 262 0293</b>		2	SPRING
3	<b>389 262 0537</b>		2	SYNCHRONIZING CONE
4	<b>389 262 4935</b>	<b>(389 262 2035)</b>	1	GUIDE SLEEVE
5	<b>945 262 6623</b>	<b>(945 262 2623)</b>	1	ENGAGING SLEEVE
		<b>(945 262 0823)</b>		
		<b>(389 262 3823)</b>		
		<b>(389 262 3623)</b>		
		<b>(389 262 1623)</b>		
6	<b>389 262 4034</b>		1	ENGAGING RING

SYNCHRONIZER KIT PLANETARY



# GEARBOX G210-16

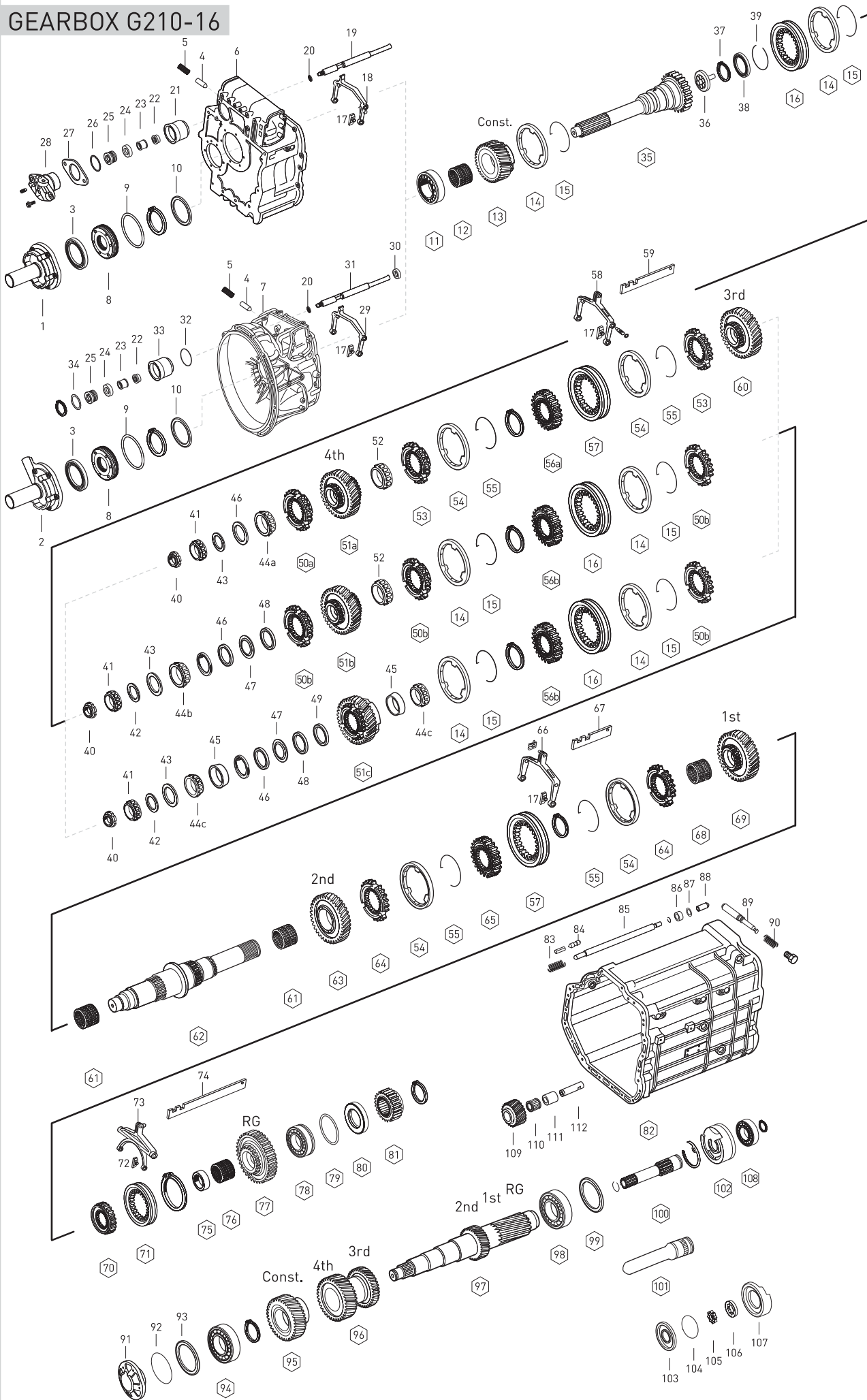


Fig.	Oem No	Oem Old No	Pcs	Description	Sizes	Notes	[X1] : G210-14,2-0,83	[X2] : G210-14,2-0,83	[X3] : G210-16	[X4] : G210-16	[X5] : G210-16
1	389 261 4518		1	COVER			◆	◆			
2	945 261 1118	(945 261 0118)	1	COVER					◆	◆	◆
		(945 261 0818)									
3	022 997 8547		1	OIL SEAL			◆	◆			
3	023 997 7847	(019 997 0547)	1	OIL SEAL	56X72X8mm				◆	◆	◆
4	389 267 1174	(387 267 0034)	1	PIN			◆	◆	◆	◆	◆
5	387 993 4401		1	SPRING	9.8X63.3mm		◆	◆	◆	◆	◆
5	387 993 4501		1	SPRING	6.2X63.0mm		◆	◆	◆	◆	◆
6	389 261 0408	(389 261 9702)	1	HOUSING		(1)	◆	◆			
6	389 261 7502	(389 261 7802)	1	HOUSING		(2)	◆	◆			
7	945 260 8412		1	HOUSING					◆		
7	945 260 5411		1	HOUSING					◆	◆	
7	945 260 0111		1	HOUSING					◆	◆	◆
7	945 260 2712	(945 260 7211)	1	HOUSING					◆	◆	◆
		(945 260 2212)									
		(945 260 7311)									
7	945 260 4112		1	HOUSING					◆	◆	◆
7	945 260 4811	(945 260 5211)	1	HOUSING					◆	◆	
		(945 260 2111)									
8	389 261 0665		1	OIL BAFFLE			◆	◆	◆	◆	◆
9	028 997 2248		1	O-RING	139.5X3.0mm		◆	◆			
9	020 997 7848		1	O-RING	128.0X3.0mm				◆	◆	◆
10	389 262 0955		1	SHIM	0.10mm	(3)	◆	◆	◆	◆	◆
10	389 262 0855		1	SHIM	0.15mm	(3)	◆	◆	◆	◆	◆
10	389 262 0755		1	SHIM	0.20mm	(3)	◆	◆	◆	◆	◆
10	389 262 0655		1	SHIM	0.40mm	(3)	◆	◆	◆	◆	◆
10	389 262 0255		1	SHIM	0.50mm	(3)	◆	◆	◆	◆	◆
10	389 262 0555		1	SHIM	0.80mm	(3)	◆	◆	◆	◆	◆
10	389 262 9654		1	SHIM	2.00mm	(3)	◆	◆	◆	◆	◆
10	389 262 3055		1	SHIM	0.25mm	(4)	◆	◆	◆	◆	◆
10	389 262 3255		1	SHIM	0.31mm	(4)	◆	◆	◆	◆	◆
10	389 262 3555		1	SHIM	0.40mm	(4)	◆	◆	◆	◆	◆
10	389 262 3855		1	SHIM	0.49mm		◆	◆	◆	◆	◆
10	389 262 4055		1	SHIM	0.55mm		◆	◆	◆	◆	◆
11	014 981 9005	(011 981 1305)	1	ROLLER BEARING	75X140X36mm		◆	◆	◆	◆	◆
12	018 981 8710		1	NEEDLE CAGE			◆	◆	◆	◆	◆
13	945 262 7517	(945 262 5417)	1	CONSTANT GEAR		(5)			◆	◆	◆
		(945 262 5917)									
13	945 262 4110	(945 262 1610)	1	CONSTANT GEAR		(6)	◆	◆			
		(945 262 0010)									
		(389 262 6310)									

NOTES :

[X1] : for gearboxes numbered label nos 715240 EPS, 715252 MPS

[X2] : for gearboxes numbered label nos 715241-42-53 MPS

[X3] : for gearbox numbered label no 715500

[X4] : for gearbox numbered label no 715501

[X5] : for gearbox numbered label no 715504

(1) from gearbox number of 380571

(2) to gearbox number of 380570

(3) to gearbox number of 375914

(4) from gearbox number of 375915

(5) from gearbox number of 502735

(6) to gearbox number of 502734

# GEARBOX G210-16

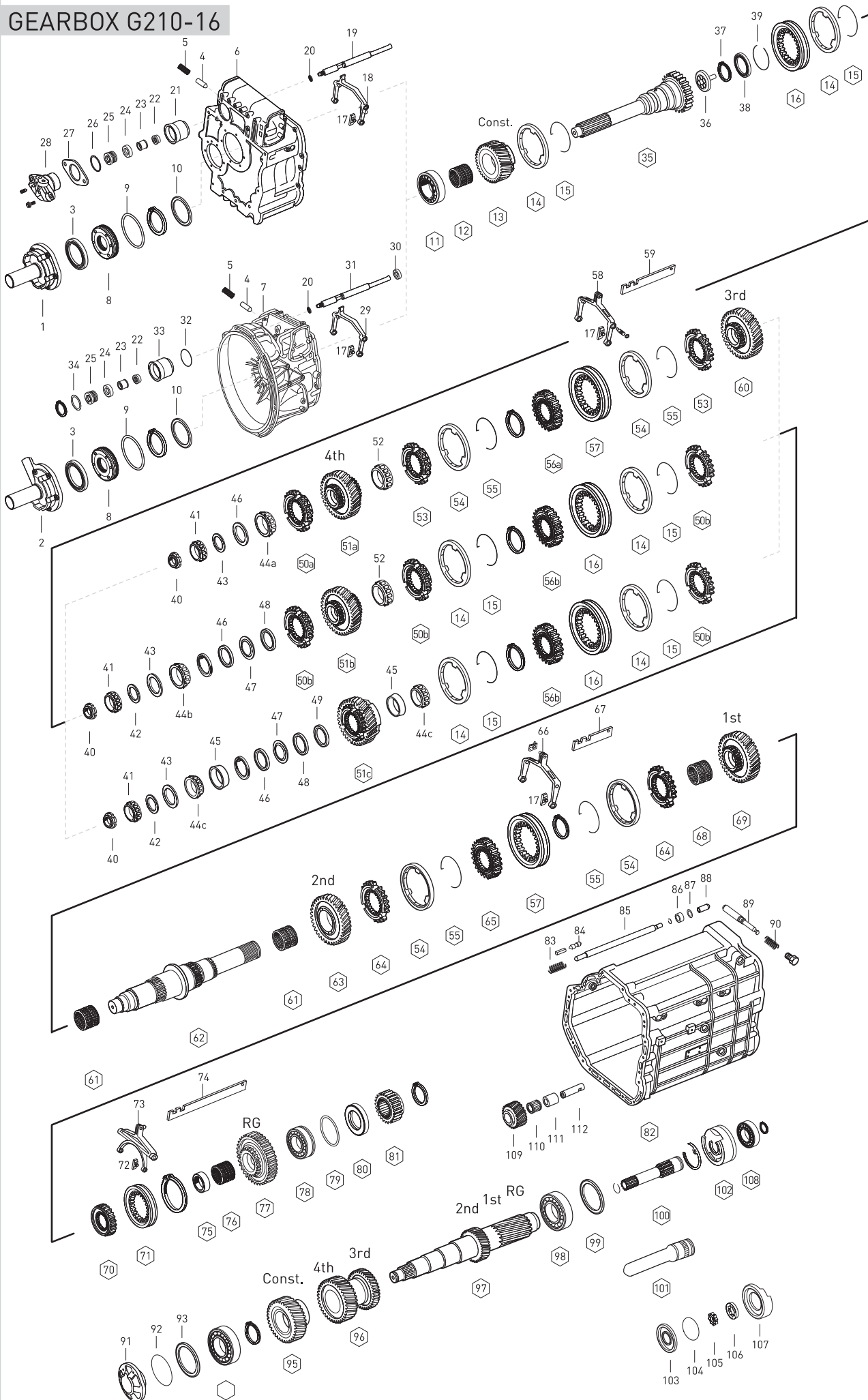




Fig	Oem No	Oem Old No	Pcs	Description	Sizes	Notes	[X1] : G210-14.2-0.83	[X2] : G210-14.2-0.83	[X3] : G210-16	[X4] : G210-16	[X5] : G210-16
13	945 262 4110	(945 262 1110)	1	CONSTANT GEAR		(6)	◆	◆			
		(945 262 1510)									
		(945 262 1210)									
		(945 262 3910)									
		(945 262 4010)									
		(945 262 3810)									
14	945 260 2245	(947 260 0545)	2	SYNCHRONIZING CONE	177.0mm	(7)			◆	◆	◆
		(945 262 6337)									
14	945 260 0450		2	SYNCHRONIZING CONE	177.0mm	(8)	◆	◆			
14	389 262 0637		2	SYNCHRONIZING CONE	177.0mm	(8)	◆	◆			
15	387 262 1093		2	SPRING			◆	◆	◆	◆	◆
16	945 262 6823	(945 262 6423)	1	ENGAGING SLEEVE		(5)			◆	◆	◆
16	945 262 2823	(945 262 0323)	1	ENGAGING SLEEVE		(6)	◆	◆			
		(945 262 0623)									
		(389 262 4123)									
		(389 262 2723)									
17	947 265 0349	(389 265 2749)	6	SLIDING PAD			◆	◆	◆	◆	◆
18	389 265 1201		1	GEAR SHIT FORK			◆	◆			
19	389 267 3017		1	G.SHIFT RAIL				◆			
19	389 267 2217		1	G.SHIFT RAIL			◆				
20	387 263 2652		1	SPACER WASHER	0.20mm		◆	◆	◆	◆	◆
20	387 263 2752		1	SPACER WASHER	0.40mm		◆	◆	◆	◆	◆
20	387 263 2852		1	SPACER WASHER	0.60mm		◆	◆	◆	◆	◆
20	387 263 3052		1	SPACER WASHER	1.00mm		◆	◆	◆	◆	◆
21	389 267 3319	(389 267 2119)	1	CYLINDER			◆	◆			
		(389 267 2219)									
		(389 267 0419)									
22	000 267 0197	(000 267 0397)	1	FLANGE PACKING			◆	◆	◆	◆	◆
23	387 267 0650		1	BUSHING			◆	◆	◆	◆	◆
24	012 997 3347	(006 997 6447)	1	DOUBLE PACKING			◆	◆	◆	◆	◆
25	945 267 0218	(387 267 0918)	1	PISTON			◆	◆	◆	◆	◆
		(387 267 0618)									
26	007 997 4248		1	O-RING	55.6X3.0mm		◆	◆			
27	387 263 3352		1	SPACER WASHER	0.20mm		◆	◆			
27	387 263 3452		1	SPACER WASHER	0.40mm		◆	◆			
27	387 263 3552		1	SPACER WASHER	0.60mm		◆	◆			
27	387 263 3652		1	SPACER WASHER	0.80mm		◆	◆			
27	387 263 3752		1	SPACER WASHER	1.00mm		◆	◆			
27	387 263 3852		1	SPACER WASHER	2.00mm		◆	◆			
28	389 267 2819	(389 267 2719)	1	COVER			◆	◆			
		(389 267 2419)									

NOTES :

[X1] : for gearboxes numbered label nos 715240 EPS, 715252 MPS

[X2] : for gearboxes numbered label nos 715241-42-53 MPS

[X3] : for gearbox numbered label no 715500

[X4] : for gearbox numbered label no 715501

[X5] : for gearbox numbered label no 715504

(5) from gearbox number of 502735

(6) to gearbox number of 502734

(7) from gearbox number of 502925

(8) to gearbox number of 502924

G210-16

# GEARBOX G210-16

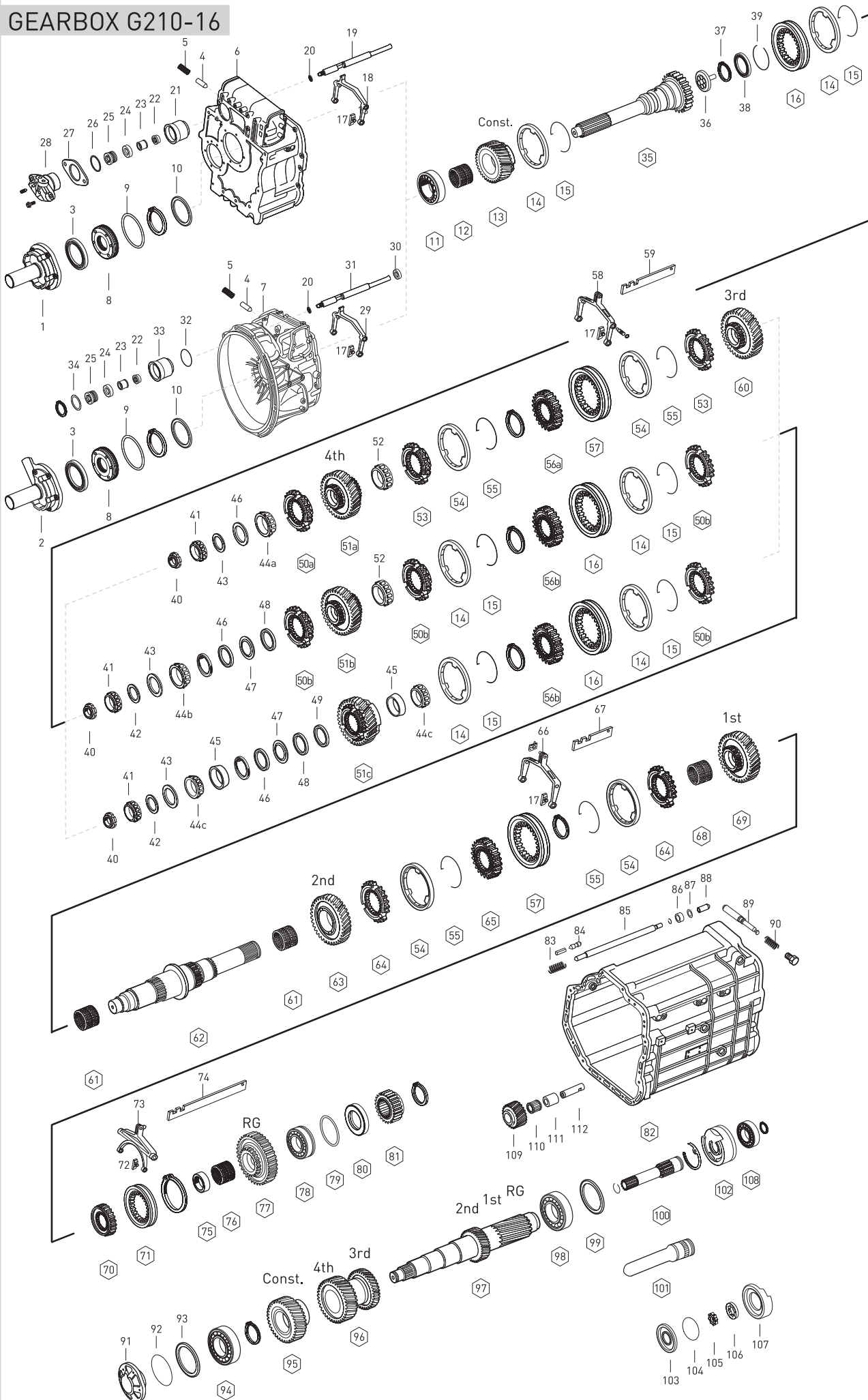


Fig	Oem No	Oem Old No	Pcs	Description	Sizes	Notes	[X1] : G210-14.2-0.83	[X2] : G210-14.2-0.83	[X3] : G210-16	[X4] : G210-16	[X5] : G210-16
28	389 267 2819	(389 267 2319) (389 267 1519)	1	COVER			◆	◆			
29	945 265 0001		1	GEAR SHIT FORK					◆	◆	◆
30	389 267 0050	(389 268 0950)	1	BUSHING					◆	◆	◆
31	945 267 0617		1	G.SHIFT RAIL					◆	◆	
31	945 267 0117		1	G.SHIFT RAIL					◆	◆	◆
32	022 997 4248		1	O-RING					◆	◆	◆
33	945 267 0819	(945 267 0119) (945 267 0719) (945 267 0019)	1	CYLINDER					◆	◆	◆
34	389 262 2555		1	SPACER WASHER	0.70mm				◆	◆	◆
34	389 262 2655		1	SPACER WASHER	0.90mm				◆	◆	◆
34	389 262 3254		1	SPACER WASHER	1.05mm				◆	◆	◆
34	389 262 3354		1	SPACER WASHER	1.10mm				◆	◆	◆
34	389 262 3554		1	SPACER WASHER	1.20mm				◆	◆	◆
34	389 262 2052		1	SPACER WASHER	1.40mm				◆	◆	◆
34	389 262 2355		1	SPACER WASHER	1.80mm				◆	◆	◆
34	389 262 3252		1	SPACER WASHER	2.00mm				◆	◆	◆
34	389 262 3352		1	SPACER WASHER	2.50mm				◆	◆	◆
35	945 262 2482		1	INPUT SHAFT						◆	
35	945 262 0803	(945 262 6303)	1	INPUT SHAFT		(9)			◆	◆	
35	945 262 4703	(945 262 2401) (945 262 3601)	1	INPUT SHAFT		(10)			◆	◆	
35	945 262 0103		1	INPUT SHAFT					◆	◆	◆
35	389 262 8201	(389 262 6201)	1	INPUT SHAFT					◆	◆	◆
35	389 262 6501		1	INPUT SHAFT		(11)	◆	◆			
35	389 262 5101		1	INPUT SHAFT		(12)	◆	◆			
35	389 262 5201		1	INPUT SHAFT	PTO		◆	◆			
36	976 269 0034		1	OIL PIPET		(11)	◆	◆	◆	◆	◆
36	389 269 8534		1	OIL PIPET		(12)	◆	◆	◆	◆	◆
37	000 994 9841		1	RETANING RING		(11)	◆	◆	◆	◆	◆
37	007993 050 200		1	RETANING RING		(12)	◆	◆	◆	◆	◆
38	000 262 8762	(019 997 2147) (019 997 2047)	1	OIL SEAL	79.5X104.5X7mm	(13)	◆	◆	◆	◆	◆
38	000 262 9162		1	OIL SEAL		(13)	◆	◆	◆	◆	◆
38	018 997 7547	(018 997 7147)	1	OIL SEAL		(14)	◆	◆			
39	389 262 0973		1	LOCK RING		(15)	◆	◆	◆	◆	◆
40	945 990 0250		1	NUT		(16)(17)	◆	◆	◆	◆	◆
40	945 990 0150	(945 990 0050)	1	NUT		(18)(19)	◆	◆	◆	◆	◆
41	015 981 1605	(013 981 1105)	1	ROLLER BEARING			◆	◆	◆	◆	◆
42	389 262 5552		1	THRUST WASHER	1.20mm		◆	◆			

NOTES :

[X1] : for gearboxes numbered label nos 715240 EPS, 715252 MPS

[X2] : for gearboxes numbered label nos 715241-42-53 MPS

[X3] : for gearbox numbered label no 715500

[X4] : for gearbox numbered label no 715501

[X5] : for gearbox numbered label no 715504

(9) from gearbox number of 279735 (15) to gearbox number of 116105

(10) to gearbox number of 279734 (16) from gearbox number of 235270

(11) from gearbox number of 438702 (17) from gearbox number of 514620

(12) to gearbox number of 438701 (18) to gearbox number of 235269

(13) from gearbox number of 116106 (19) to gearbox number of 514619

(14) to gearbox number of 366049

G210-16

# GEARBOX G210-16

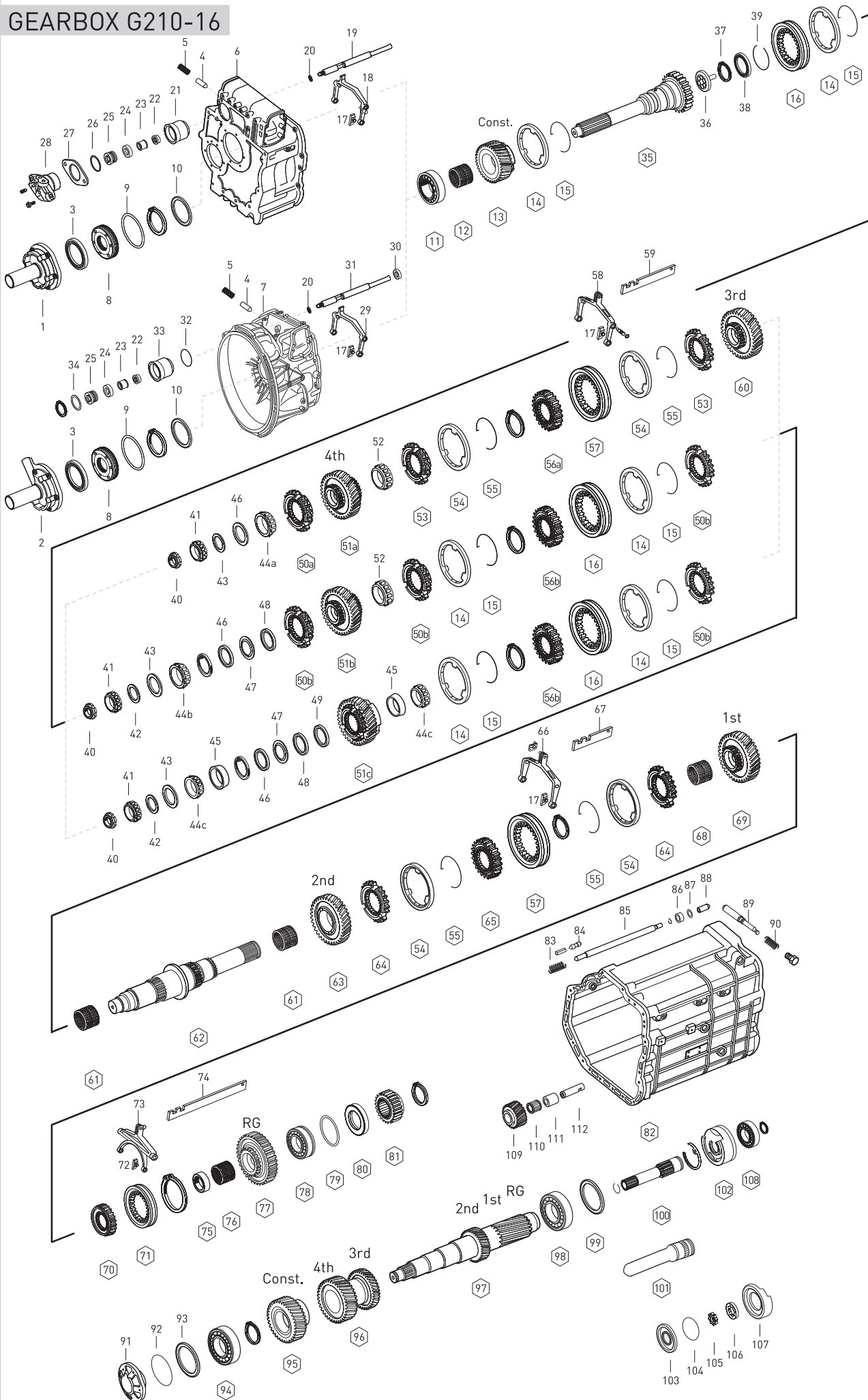


Fig	o.	Oem No	Oem Old No	Pcs	Description	Sizes	Notes	[X1] : G210-14.2-0.83	[X2] : G210-14.2-0.83	[X3] : G210-16	[X4] : G210-16	[X5] : G210-16
42		389 262 5652		1	THRUST WASHER	0.80mm		◆	◆			
42		389 262 5752		1	THRUST WASHER	0.50mm		◆	◆			
42		389 262 5852		1	THRUST WASHER	0.20mm		◆	◆			
42		389 262 5952		1	THRUST WASHER	0.10mm		◆	◆			
43		389 262 2351		1	THRUST WASHER	7.00mm		◆	◆	◆	◆	◆
44a		015 981 7605	(015 981 2005)	1	ROLLER BEARING		{11}{30}			◆	◆	◆
44b		011 981 6005		1	ROLLER BEARING		{12}{31}	◆	◆			
44c		014 981 1505		1	ROLLER BEARING		{23}	◆	◆			
45		012 981 1680		2	BEARING RACE		{23}	◆	◆			
46		389 262 3352		1	THRUST WASHER	2.50mm		◆	◆	◆	◆	◆
46		389 262 3252		1	THRUST WASHER	2.00mm		◆	◆	◆	◆	◆
46		389 262 3152		1	THRUST WASHER	1.95mm		◆	◆	◆	◆	◆
46		389 262 3052		1	THRUST WASHER	1.90mm		◆	◆	◆	◆	◆
46		389 262 2952		1	THRUST WASHER	1.85mm		◆	◆	◆	◆	◆
46		389 262 2455		1	THRUST WASHER	1.82mm		◆	◆	◆	◆	◆
46		389 262 2355		1	THRUST WASHER	1.79mm		◆	◆	◆	◆	◆
46		389 262 2255		1	THRUST WASHER	1.76mm		◆	◆	◆	◆	◆
46		389 262 2155		1	THRUST WASHER	1.73mm		◆	◆	◆	◆	◆
46		389 262 2055		1	THRUST WASHER	1.67mm		◆	◆	◆	◆	◆
46		389 262 1955		1	THRUST WASHER	1.64mm		◆	◆	◆	◆	◆
46		389 262 1855		1	THRUST WASHER	1.61mm		◆	◆	◆	◆	◆
46		389 262 1755		1	THRUST WASHER	1.58mm		◆	◆	◆	◆	◆
46		389 262 2352		1	THRUST WASHER	1.55mm		◆	◆	◆	◆	◆
46		389 262 1655		1	THRUST WASHER	1.52mm		◆	◆	◆	◆	◆
46		389 262 1555		1	THRUST WASHER	1.49mm		◆	◆	◆	◆	◆
46		389 262 1455		1	THRUST WASHER	1.46mm		◆	◆	◆	◆	◆
46		389 262 1355		1	THRUST WASHER	1.43mm		◆	◆	◆	◆	◆
46		389 262 2052		1	THRUST WASHER	1.40mm		◆	◆	◆	◆	◆
46		389 262 1952		1	THRUST WASHER	1.35mm		◆	◆	◆	◆	◆
46		389 262 2754		1	THRUST WASHER	1.30mm		◆	◆	◆	◆	◆
46		389 262 3654		1	THRUST WASHER	1.25mm		◆	◆	◆	◆	◆
46		389 262 3554		1	THRUST WASHER	1.20mm		◆	◆	◆	◆	◆
46		389 262 3454		1	THRUST WASHER	1.15mm		◆	◆	◆	◆	◆
46		389 262 3354		1	THRUST WASHER	1.10mm		◆	◆	◆	◆	◆
46		389 262 3254		1	THRUST WASHER	1.05mm		◆	◆	◆	◆	◆
46		389 262 2854		1	THRUST WASHER	0.50mm		◆	◆	◆	◆	◆
47		389 262 1854		1	SPACER WASHER			◆	◆			
48		389 262 1251		1	THRUST WASHER	2.20mm		◆	◆			
48		389 262 2151		1	THRUST WASHER	2.15mm		◆	◆			
48		389 262 1151		1	THRUST WASHER	2.10mm		◆	◆			
48		389 262 2051		1	THRUST WASHER	2.05mm		◆	◆			

NOTES :

- [X1] : for gearboxes numbered label nos 715240 EPS, 715252 MPS
- [X2] : for gearboxes numbered label nos 715241-42-53 MPS
- [X3] : for gearbox numbered label no 715500
- [X4] : for gearbox numbered label no 715501
- [X5] : for gearbox numbered label no 715504
- {11} from gearbox number of 438702
- {12} to gearbox number of 438701
- {23} 4th gear is used in conjunction with the number 389 260 8908
- {30} 4th gear is used in conjunction with the number 945 262 8810
- {31} 4th gear is used in conjunction with the number 945 262 8710

G210-16

# GEARBOX G210-16

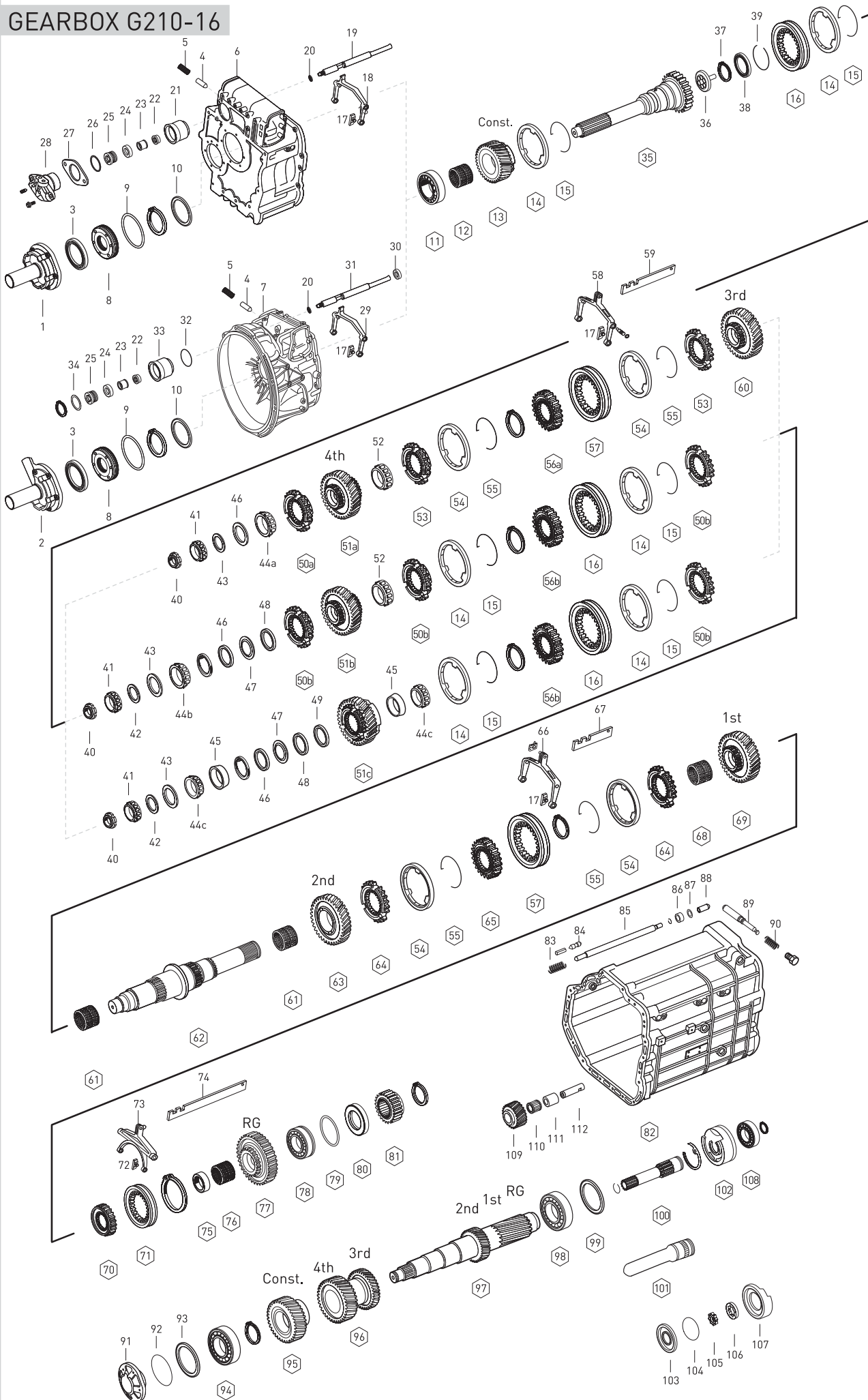


Fig	Oem No	Oem Old No	Pcs	Description	Sizes	Notes	[X1] : G210-14,2-0,83	[X2] : G210-14,2-0,83	[X3] : G210-16	[X4] : G210-16	[X5] : G210-16
48	389 262 1051		1	THRUST WASHER	2.00mm		◆	◆			
48	389 262 0951		1	THRUST WASHER	1.90mm		◆	◆			
48	389 262 0851		1	THRUST WASHER	1.80mm		◆	◆			
48	389 262 1751		1	THRUST WASHER	1.75mm		◆	◆			
48	2104157		1	THRUST WASHER	1.60mm		◆	◆			
49	389 262 2751		1	THRUST WASHER	5.40mm	(23)	◆	◆			
49	389 262 2951		1	THRUST WASHER	5.50mm	(23)	◆	◆			
49	389 262 3151		1	THRUST WASHER	5.60mm	(23)	◆	◆			
49	389 262 3351		1	THRUST WASHER	5.70mm	(23)	◆	◆			
49	389 262 3551		1	THRUST WASHER	5.80mm	(23)	◆	◆			
49	389 262 3751		1	THRUST WASHER	5.90mm	(23)	◆	◆			
49	389 262 3951		1	THRUST WASHER	6.00mm	(23)	◆	◆			
49	389 262 4151		1	THRUST WASHER	6.10mm	(23)	◆	◆			
49	389 262 4351		1	THRUST WASHER	6.20mm	(23)	◆	◆			
49	389 262 4551		1	THRUST WASHER	6.30mm	(23)	◆	◆			
49	389 262 4751		1	THRUST WASHER	6.40mm	(23)	◆	◆			
49	389 262 4951		1	THRUST WASHER	6.50mm	(23)	◆	◆			
49	389 262 5151		1	THRUST WASHER	6.60mm	(23)	◆	◆			
50a	945 262 3634		1	ENGAGING RING	157.0mm	(5)			◆	◆	◆
50a	389 262 5434	(945 262 0134)	1	ENGAGING RING	157.0mm	(11)[6]	◆	◆			
		(945 262 0334)									
50b	945 262 4034	(389 262 5334)	2	ENGAGING RING		(12)[31]	◆	◆			
51a	945 262 8810	(945 262 9310)	1	GEAR 4th		(11)			◆	◆	◆
		(945 262 9210)									
		(945 262 8910)									
		(945 262 2610)									
		(945 262 0510)									
		(945 262 2310)									
51b	389 262 8710	(389 262 8610)	1	GEAR 4th		(12)	◆	◆			
51c	389 260 9719	(389 260 2508)	1	GEAR 4th		(22)	◆	◆			
51c	389 260 8908		1	GEAR 4th		(22)[23]	◆	◆			
52	015 981 7705	(014 981 1605)	1	ROLLER BEARING		(11)[12][30][31]	◆	◆	◆	◆	◆
53	945 262 5434		2	ENGAGING RING	173.5mm	(11)			◆	◆	◆
53	945 262 0534	(389 262 5034)	2	ENGAGING RING	173.5mm	(11)	◆	◆			
54	947 260 1945	(946 262 6137)	4	SYNCHRONIZING CONE	199.0mm	(11)			◆	◆	◆
		(947 260 0745)									
54	945 260 0650		4	SYNCHRONIZING CONE		(11)	◆	◆			
54	389 262 0737		4	SYNCHRONIZING CONE	196.0mm	(11)	◆	◆			
55	387 262 0893		4	SPRING	167.0mm	(11)	◆	◆	◆	◆	◆
56a	389 262 4735	(389 262 4635)	1	GUIDE SLEEVE		(11)	◆	◆	◆	◆	◆
57	945 262 6523		2	ENGAGING SLEEVE		(11)			◆	◆	◆

**NOTES :**

- [X1] : for gearboxes numbered label nos 715240 EPS, 715252 MPS
- [X2] : for gearboxes numbered label nos 715241-42-53 MPS
- [X3] : for gearbox numbered label no 715500
- [X4] : for gearbox numbered label no 715501
- [X5] : for gearbox numbered label no 715504
- (5) from gearbox number of 502735
- (6) to gearbox number of 502734
- (11) from gearbox number of 438702
- (12) to gearbox number of 438701
- (22) welded version
- (23) 4th gear is used in conjunction with the number 389 260 8908
- (30) 4th gear is used in conjunction with the number 945 262 8810
- (31) 4th gear is used in conjunction with the number 945 262 8710

# GEARBOX G210-16

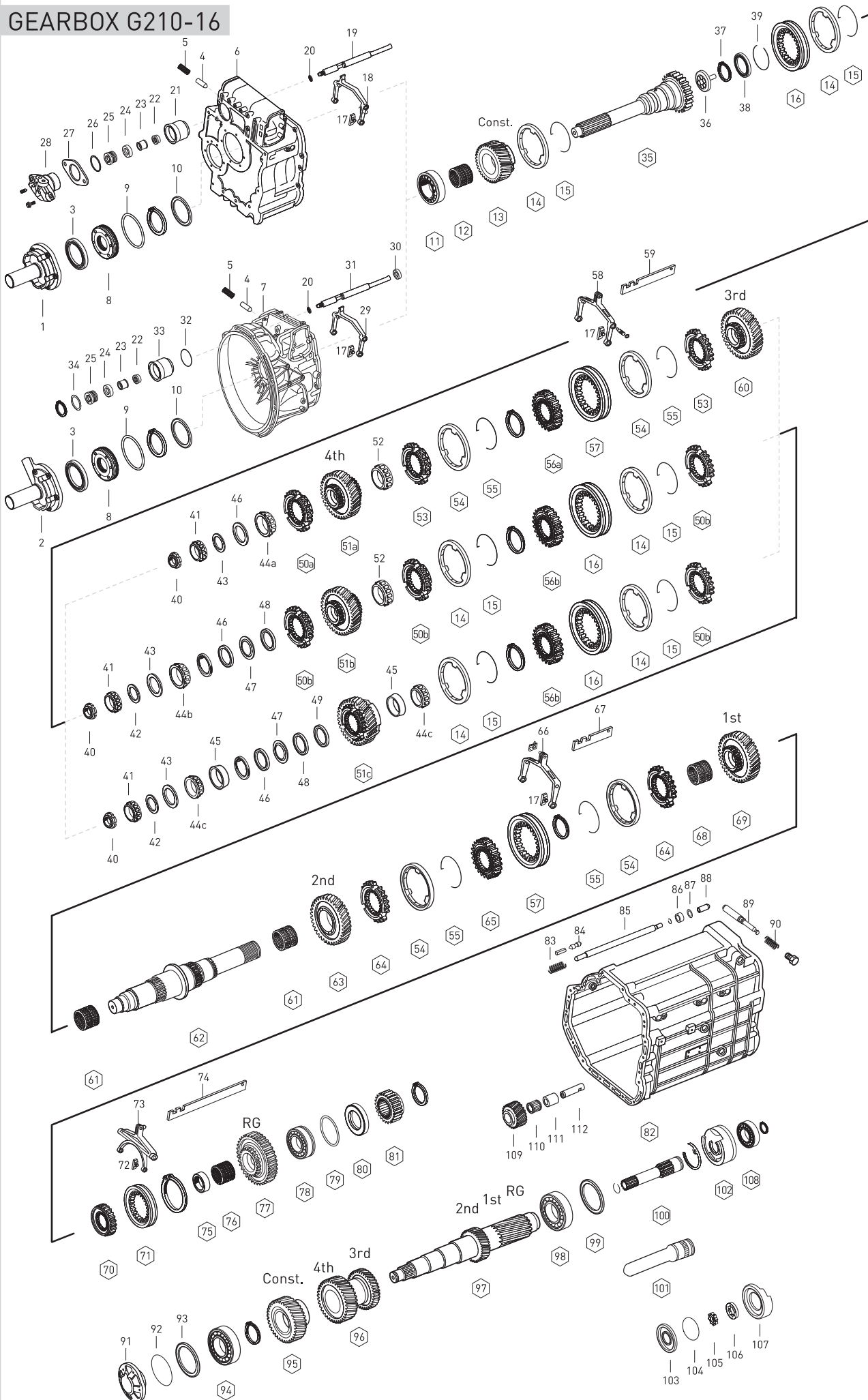




Fig.	Oem No	Oem Old No	Pcs	Description	Sizes	Notes	[X1] : G210-14.2-0.83	[X2] : G210-14.2-0.83	[X3] : G210-16	[X4] : G210-16	[X5] : G210-16
57	945 262 2723	(945 262 0423)	2	ENGAGING SLEEVE		(11)	◆	◆			
		(389 262 2623)									
58	389 260 5530		1	SHIFTING FORK		(11)	◆	◆			
58	389 260 3830	(389 260 3630)	1	SHIFTING FORK		(12)	◆	◆			
58	945 260 3730	(945 260 2630)	1	SHIFTING FORK		(11)			◆	◆	
58	945 260 1030		1	SHIFTING FORK		(11)			◆	◆	◆
59	389 265 7904		1	SHIFTING ROD		(11)(12)	◆	◆			
59	945 265 0404		1	SHIFTING ROD		(11)			◆	◆	◆
14	945 260 0450		2	SYNCHRONIZING CONE		(12)	◆	◆			
14	389 262 0637		2	SYNCHRONIZING CONE		(12)	◆	◆			
15	387 262 1093		2	SPRING		(12)	◆	◆			
56b	389 262 2835		1	GUIDE SLEEVE		(12)	◆	◆			
16	945 262 2823	(945 262 0323)	1	ENGAGING SLEEVE		(12)	◆	◆			
		(945 262 0623)									
		(389 262 4123)									
		(389 262 2723)									
60	945 262 3513	(945 262 0213)	1	GEAR 3rd		(11)			◆	◆	◆
		(945 262 3613)									
		(945 262 3413)									
		(945 262 0813)									
		(945 262 1813)									
60	389 262 1813		1	GEAR 3rd		(12)	◆	◆			
61	018 981 6610		2	NEEDLE CAGE			◆	◆	◆	◆	◆
62	930 262 1205		1	MAIN SHAFT					◆	◆	◆
62	945 262 4505		1	MAIN SHAFT		[24](17)			◆	◆	◆
62	945 262 3605	(945 262 3505)	1	MAIN SHAFT		[16](17)[25]			◆	◆	◆
62	945 262 1905	(389 262 2705)	1	MAIN SHAFT		[18](11)[19]			◆	◆	◆
		(945 262 1705)									
		(945 262 1405)									
		(945 262 1505)									
		(945 262 1105)									
		(945 262 1605)									
62	389 262 2405		1	MAIN SHAFT		(12)	◆	◆			
63	945 262 6812		1	GEAR 2nd					◆	◆	◆
63	945 262 3112	(945 262 1712)	1	GEAR 2nd					◆	◆	◆
		(945 262 1612)									
		(945 262 0812)									
		(945 262 0712)									
		(389 262 2812)									
		(389 262 2512)									
63	389 260 4919	(389 262 2112)	1	GEAR 2nd		(22)	◆	◆			

NOTES :

- [X1] : for gearboxes numbered label nos 715240 EPS, 715252 MPS  
[X2] : for gearboxes numbered label nos 715241-42-53 MPS  
[X3] : for gearbox numbered label no 715500  
[X4] : for gearbox numbered label no 715501  
[X5] : for gearbox numbered label no 715504  
(11) from gearbox number of 438702 (19) to gearbox number of 514619  
(12) to gearbox number of 438701 (22) welded version  
(16) from gearbox number of 235270 (24) from gearbox number of 344484  
(17) from gearbox number of 514620 (25) to gearbox number of 344483

# GEARBOX G210-16

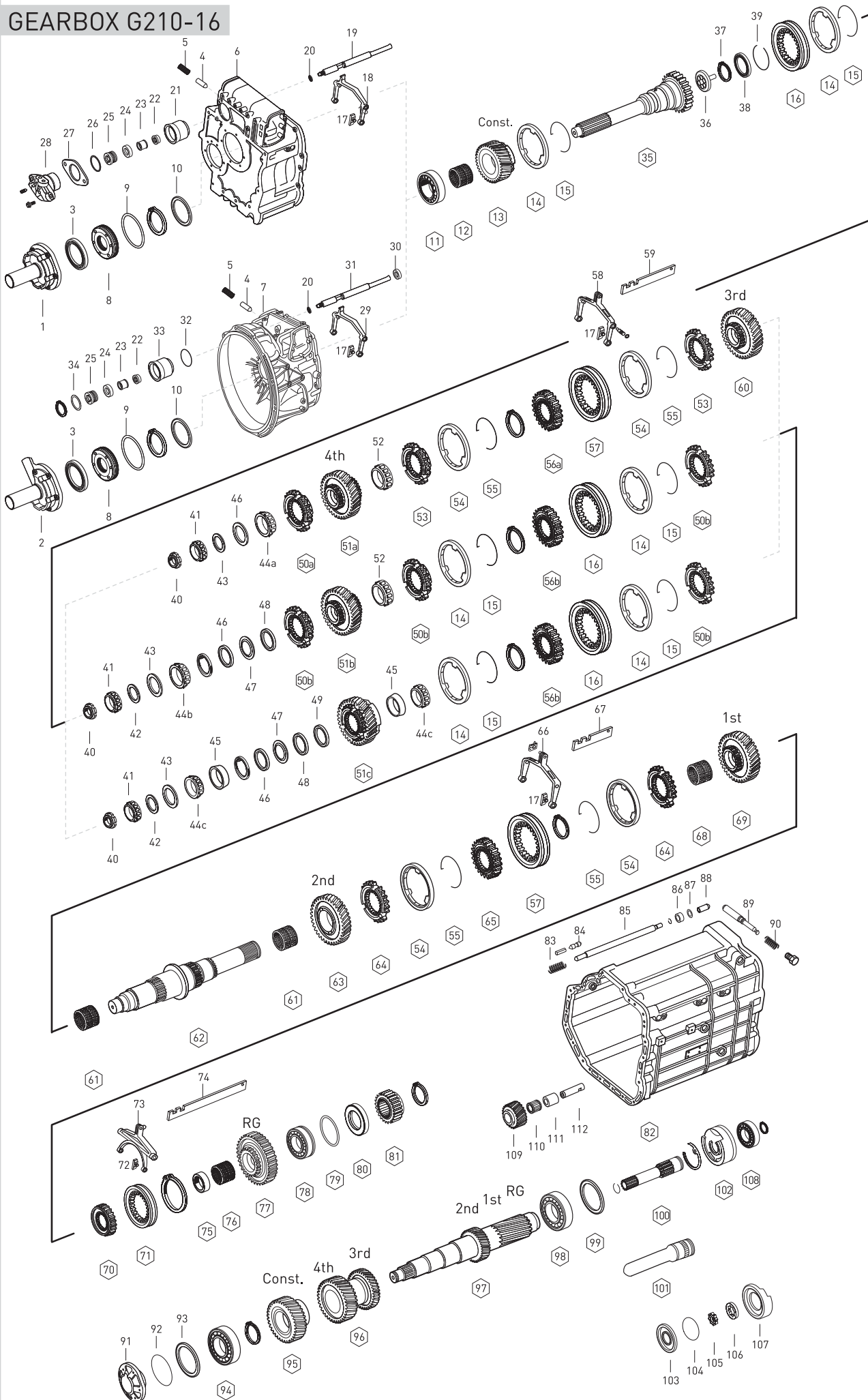


Fig.	Oem No	Oem Old No	Pcs	Description	Sizes	Notes	[X1] : G210-14.2-0.83	[X2] : G210-14.2-0.83	[X3] : G210-16	[X4] : G210-16	[X5] : G210-16
63	389 260 4919	(389 262 4734)	1	GEAR 2nd			◆	◆			
64	945 262 5534		2	ENGAGING RING					◆	◆	◆
64	945 262 0434	(389 262 0034)	2	ENGAGING RING					◆	◆	◆
65	389 262 2535	(945 262 0135)	1	GUIDE SLEEVE			◆	◆	◆	◆	◆
66	945 260 3630	(945 260 3030)	1	SHIFTING FORK					◆	◆	
66	945 260 0330	(945 260 0230)	1	SHIFTING FORK					◆	◆	◆
66	389 260 4530	(389 260 3530)	1	SHIFTING FORK			◆	◆			
67	945 265 1904	(945 265 1704)	1	SHIFTING ROD					◆	◆	
67	945 265 1304	(945 265 1204)	1	SHIFTING ROD					◆	◆	◆
		(945 265 0304)									
67	389 265 7804		1	SHIFTING ROD			◆	◆			
68	018 981 8110	(018 981 7610)	1	NEEDLE CAGE		[24]			◆	◆	◆
68	017 981 0210	(019 981 0910)	1	NEEDLE CAGE		[25]	◆	◆			
		(012 981 9210)									
		(008 981 8310)									
		(019 981 4410)									
69	389 262 2711	(945 262 3111)	1	GEAR 1st			◆	◆	◆	◆	◆
		(945 262 0811)									
		(389 262 2011)									
		(945 260 1608)									
		(389 260 6108)									
70	389 262 0135		1	HUB			◆	◆	◆	◆	◆
70	945 262 3835		1	HUB		[26]			◆	◆	
70	389 262 3935		1	HUB		[27]			◆	◆	
71	389 262 1823	(389 262 0923)	1	ENGAGING SLEEVE			◆		◆	◆	
71	389 262 1723	(389 262 0023)	1	ENGAGING SLEEVE				◆	◆	◆	◆
72	947 265 0249	(945 265 0149)	2	SLIDING PAD			◆	◆	◆	◆	◆
73	945 260 0430		1	SHIFTING FORK					◆	◆	◆
73	389 260 4830	(389 260 3430)	1	SHIFTING FORK			◆	◆			
74	945 265 3004		1	SHIFTING ROD					◆		
74	945 265 1004	(945 265 0104)	1	SHIFTING ROD					◆	◆	◆
74	945 265 1104	(945 265 0204)	1	SHIFTING ROD					◆	◆	
74	389 265 3504		1	SHIFTING ROD			◆	◆			
75	389 262 0150		1	BEARING RACE					◆	◆	◆
75	389 262 2550	(389 262 1650)	1	BEARING RACE			◆	◆			
		(389 262 0050)									
76	013 981 2610	(013 981 1810)	1	NEEDLE CAGE					◆	◆	◆
76	009 981 1510	(017 981 7810)	1	NEEDLE CAGE			◆	◆			
77	960 262 0033		1	REVERSE GEAR					◆	◆	
77	930 262 0233		1	REVERSE GEAR					◆	◆	◆
77	945 262 3233	(389 262 2033)	1	REVERSE GEAR				◆	◆	◆	◆

NOTES :

- [X1] : for gearboxes numbered label nos 715240 EPS, 715252 MPS
- [X2] : for gearboxes numbered label nos 715241-42-53 MPS
- [X3] : for gearbox numbered label no 715500
- [X4] : for gearbox numbered label no 715501
- [X5] : for gearbox numbered label no 715504
- [24] from gearbox number of 344484
- [25] to gearbox number of 344483
- [26] from gearbox number of 465736
- [27] to gearbox number of 465735

G210-16

# GEARBOX G210-16

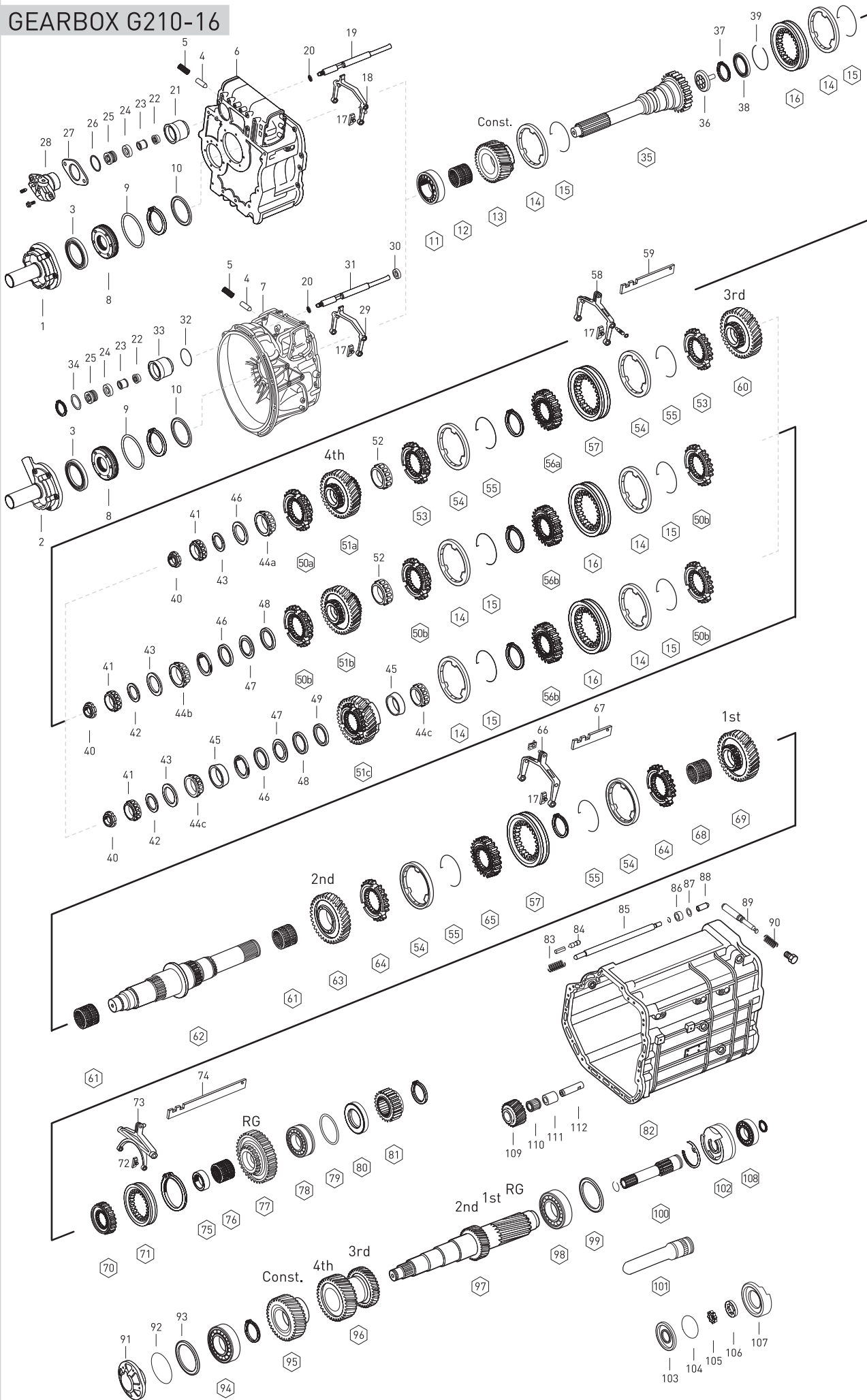


Fig.	o.	Oem No	Oem Old No	Pcs	Description	Sizes	Notes	[X1] : G210-14,2-0,83	[X2] : G210-14,2-0,83	[X3] : G210-16	[X4] : G210-16	[X5] : G210-16
77		945 262 4433		1	REVERSE GEAR		(26)				◆	◆
77		945 262 3333	(389 262 2133)	1	REVERSE GEAR		(27)				◆	◆
77		389 262 1733		1	REVERSE GEAR			◆				
78		016 981 1305	(014 981 7505)	1	ROLLER BEARING	60X130X30mm		◆	◆	◆	◆	◆
79		389 262 3552		1	SHIM	0.10mm		◆	◆	◆	◆	◆
79		389 262 3652		1	SHIM	0.15mm		◆	◆	◆	◆	◆
79		389 262 3752		1	SHIM	0.20mm		◆	◆	◆	◆	◆
79		389 262 3852		1	SHIM	0.40mm		◆	◆	◆	◆	◆
79		389 262 3952		1	SHIM	0.80mm		◆	◆	◆	◆	◆
80		945 262 0152	(945 262 0052)	1	THRUST WASHER			◆	◆	◆	◆	◆
81		945 262 0909	(389 262 0809)	1	SUN GEAR		(28)				◆	◆
			(389 262 0909)									
81		389 262 0509		1	SUN GEAR		(29)	◆	◆			
82		945 261 5626		1	HOUSING						◆	
82		945 261 4826		1	HOUSING						◆	
82		945 261 3226	(945 261 8803)	1	HOUSING						◆	
			(945 261 8603)									
82		945 260 8211	(945 260 9911)	1	HOUSING						◆	
			(945 260 8111)									
			(945 261 4103)									
			(945 261 4803)									
			(945 261 7803)									
			(945 261 8303)									
			(945 261 7203)									
			(945 261 4603)									
82		945 261 3103	(945 261 3003)	1	HOUSING						◆	◆
			(945 261 4003)									
82		655 260 3623	(389 261 3126)	1	HOUSING		(1)	◆	◆			
82		389 261 2903	(389 261 3303)	1	HOUSING		(2)	◆	◆			
83		389 993 0501		1	SPRING						◆	◆
84		389 267 0474		1	PIN						◆	
85		945 268 0225		1	SHIFTING ROD						◆	◆
85		389 268 4825		1	SHIFTING ROD						◆	
86		389 268 0051		1	SPACER RING						◆	◆
87		000988 006 019		1	FITTED WASHER	0.10mm					◆	◆
87		000988 006 020		1	FITTED WASHER	0.20mm					◆	◆
87		000988 006 021		1	FITTED WASHER	0.30mm					◆	◆
87		000988 006 013		1	FITTED WASHER	0.50mm					◆	◆
87		000988 006 001		1	FITTED WASHER	1.00mm					◆	◆
88		389 268 0674		1	PIN						◆	◆
89		945 268 0374		1	PIN			◆			◆	◆

NOTES :

[X1] : for gearboxes numbered label nos 715240 EPS, 715252 MPS

[X2] : for gearboxes numbered label nos 715241-42-53 MPS

[X3] : for gearbox numbered label no 715500

[X4] : for gearbox numbered label no 715501

[X5] : for gearbox numbered label no 715504

(1) from gearbox number of 380571

(2) to gearbox number of 380570

(26) from gearbox number of 467536

(27) to gearbox number of 467535

(28) from gearbox number of 313861

(29) to gearbox number of 313860

G210-16

# GEARBOX G210-16

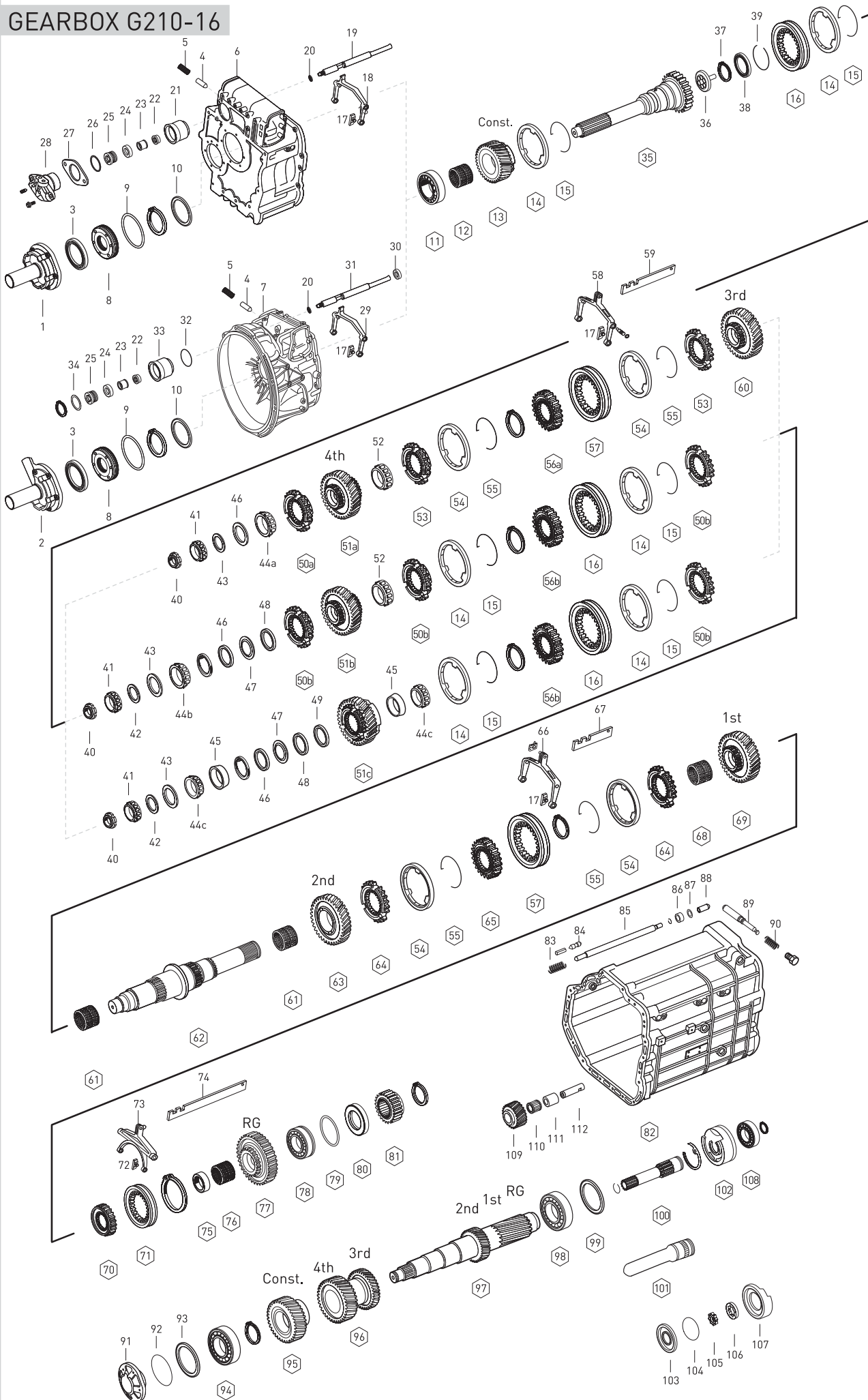


Fig	o.	Oem No	Oem Old No	Pcs	Description	Sizes	Notes	[X1]: G210-14.2-0.83	[X2]: G210-14.2-0.83	[X3]: G210-16	[X4]: G210-16	[X5]: G210-16
89		389 267 0974		1	PIN			◆	◆	◆	◆	◆
89		945 267 0274	(389 267 0274)	1	PIN			◆		◆	◆	◆
90		389 993 0601		1	SPRING			◆	◆	◆	◆	◆
90		389 993 3401		1	SPRING			◆		◆	◆	◆
91		389 261 1933		1	COVER			◆	◆			
91		976 261 1633	(976 261 1733)	1	COVER		{32}			◆	◆	◆
			(976 261 1833)									
91		976 261 1133	(976 261 0933)	1	COVER		{33}			◆	◆	◆
			(976 261 1033)									
92		028 997 2348	(004 997 2248)	1	O-RING		{32}		◆	◆	◆	◆
92		015 997 4048	(022 997 3448)	1	O-RING		{33}	◆		◆	◆	◆
93		406 337 0252		1	SHIM	0.10mm		◆	◆	◆	◆	◆
93		406 337 0352		1	SHIM	0.20mm		◆	◆	◆	◆	◆
93		389 263 3252		1	SHIM	0.40mm		◆	◆	◆	◆	◆
93		389 263 3352		1	SHIM	0.45mm		◆	◆	◆	◆	◆
93		389 263 3852		1	SHIM	0.70mm		◆	◆	◆	◆	◆
93		389 263 3952		1	SHIM	0.75mm		◆	◆	◆	◆	◆
93		389 263 5352		1	SHIM	0.40mm		◆	◆	◆	◆	◆
93		389 263 5852		1	SHIM	0.55mm		◆	◆	◆	◆	◆
93		389 263 6352		1	SHIM	0.70mm		◆	◆	◆	◆	◆
93		389 263 6852		1	SHIM	0.85mm		◆	◆	◆	◆	◆
93		389 263 7352		1	SHIM	1.00mm		◆	◆	◆	◆	◆
93		389 263 7852		1	SHIM	1.15mm		◆	◆	◆	◆	◆
93		389 263 8352		1	SHIM	1.30mm		◆	◆	◆	◆	◆
94		014 981 1405	(013 981 0605)	1	ROLLER BEARING	51X100X37.5mm		◆	◆	◆	◆	◆
95		945 263 0710	(945 263 0810)	1	CONSTANT GEAR			◆	◆	◆	◆	◆
			(389 263 1410)									
96		945 263 0213	(945 263 1513)	1	DOUBLE GEAR 3rd/4th		{11}			◆	◆	◆
			(945 263 1413)									
			(945 263 1013)									
			(945 263 0513)									
			(945 263 7113)									
			(945 263 7013)									
			(945 263 6913)									
			(945 263 6713)									
96		389 263 1913		1	DOUBLE GEAR 3rd/4th		{12}	◆	◆			
97		945 263 0602	(945 263 0102)	1	COUNTER SHAFT					◆	◆	◆
97		945 263 0902	(945 263 2902)	1	COUNTER SHAFT			◆	◆			
			(389 263 3102)									
			(389 263 2502)									
			(389 263 1602)									

NOTES :

[X1] : for gearboxes numbered label nos 715240 EPS, 715252 MPS

[X2] : for gearboxes numbered label nos 715241-42-53 MPS

[X3] : for gearbox numbered label no 715500

[X4] : for gearbox numbered label no 715501

[X5] : for gearbox numbered label no 715504

{11} from gearbox number of 438702

{12} to gearbox number of 438701

{32} from gearbox number of 041831

{33} to gearbox number of 041830

# GEARBOX G210-16

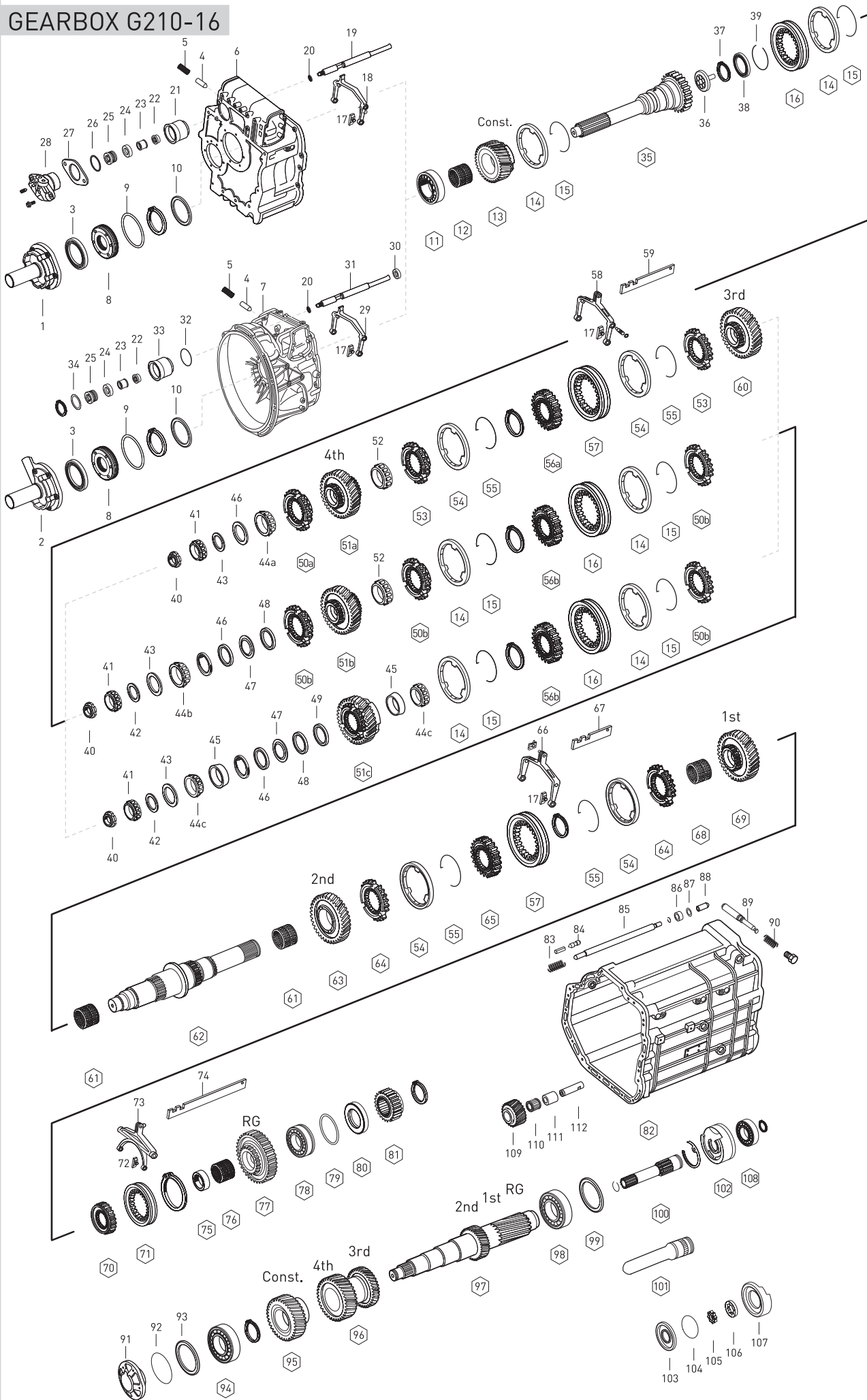




Fig.	o.	Oem No	Oem Old No	Pcs	Description	Sizes	Notes	[X1] : G210-14,2-0,83	[X2] : G210-14,2-0,83	[X3] : G210-16	[X4] : G210-16	[X5] : G210-16
97		945 263 0902	(389 263 1302)	1	COUNTER SHAFT			◆	◆			
98		012 981 9405	(016 981 1205)	1	ROLLER BEARING	60x130x34mm		◆	◆	◆	◆	◆
99		389 263 0152		1	SHIM	0.10mm		◆	◆	◆	◆	◆
99		389 263 4052		1	SHIM	0.60mm		◆	◆	◆	◆	◆
99		389 263 4152		1	SHIM	0.65mm		◆	◆	◆	◆	◆
99		389 263 4252		1	SHIM	0.70mm		◆	◆	◆	◆	◆
99		389 263 4352		1	SHIM	0.75mm		◆	◆	◆	◆	◆
99		389 263 0552		1	SHIM	0.80mm		◆	◆	◆	◆	◆
99		389 263 4452		1	SHIM	0.85mm		◆	◆	◆	◆	◆
99		389 263 4552		1	SHIM	0.90mm		◆	◆	◆	◆	◆
99		389 263 4652		1	SHIM	0.95mm		◆	◆	◆	◆	◆
99		389 263 4752		1	SHIM	1.00mm		◆	◆	◆	◆	◆
99		389 263 4852		1	SHIM	1.05mm		◆	◆	◆	◆	◆
99		389 263 4952		1	SHIM	1.10mm		◆	◆	◆	◆	◆
99		389 263 5052		1	SHIM	1.15mm		◆	◆	◆	◆	◆
100		947 264 0005	(389 269 1210)	1	OIL PUMP SHAFT			◆	◆	◆	◆	◆
			(389 269 0310)									
101		945 269 0067		1	OIL COLLECTOR			◆	◆	◆	◆	◆
102		389 260 0690	(389 260 0590)	1	OIL PUMP			◆	◆	◆	◆	◆
103		945 269 0201		1	OIL PUMP COVER			◆	◆	◆	◆	◆
104		029 997 5748		1	O-RING			◆	◆	◆	◆	◆
105		389 269 1406		1	OIL PUMP GEAR			◆	◆	◆	◆	◆
106		389 269 0706		1	ROTOR			◆	◆	◆	◆	◆
107		389 269 3801		1	OIL PUMP HOUSING			◆	◆	◆	◆	◆
108		004 981 8625		1	ROLLER BEARING			◆	◆	◆	◆	◆
109		389 263 1031		1	REV.IDLER GEAR			◆	◆	◆	◆	◆
110		019 981 1310	(012 981 8910)	1	NEEDLE CAGE			◆	◆	◆	◆	◆
111		389 263 0850		1	BUSHING			◆	◆	◆	◆	◆
112		389 263 0430		1	PIN			◆	◆			
112		976 263 0030		1	PIN					◆	◆	◆

NOTES :

- [X1] : for gearboxes numbered label nos 715240 EPS, 715252 MPS
- [X2] : for gearboxes numbered label nos 715241-42-53 MPS
- [X3] : for gearbox numbered label no 715500
- [X4] : for gearbox numbered label no 715501
- [X5] : for gearbox numbered label no 715504

# GEARBOX G210-16

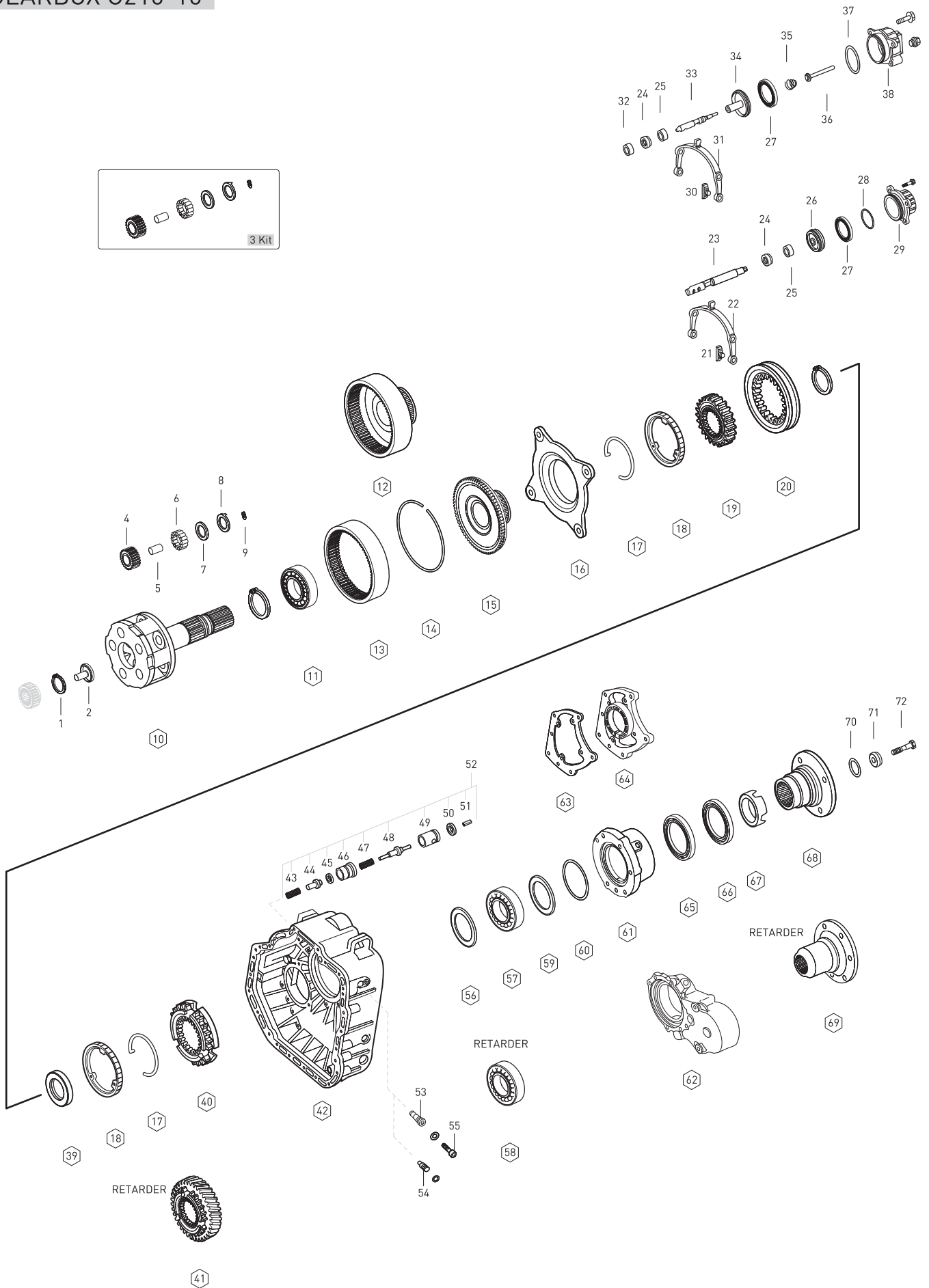


Fig.	o. Oem No	Oem Old No	Pcs	Description	Sizes	Notes	[X1]: G210-16/14.2-0.83	[X2]: G210-16/14.2-0.83	[X3]: G210-16/14.2-0.83	[X4]: G210-16	[X5]: G210-16	[X6]: G210-16
1	000472 060 000		1	SNAP RING			◆	◆	◆	◆	◆	◆
2	945 269 0834	(389 269 4734)	1	OIL TUBE			◆	◆	◆	◆	◆	◆
3	655 260 0197		5	PLANETARY GEAR SET			◆	◆	◆	◆	◆	◆
4	945 262 0006		5	PLANETARY GEAR 28 T			◆	◆	◆	◆	◆	◆
5	389 262 0407		5	PLANETARY SHAFT			◆	◆	◆	◆	◆	◆
6	000 981 4386	(000 981 4186)	125	NEEDLE ROLLER	4.995X39.60mm		◆	◆	◆	◆	◆	◆
7	389 262 6462	(389 262 0162)	10	THRUST WASHER	35.35X43.90X1.00mm		◆	◆	◆	◆	◆	◆
8	945 262 0162	(389 262 0262)	10	THRUST WASHER	35.35X65.50X1.25mm		◆	◆	◆	◆	◆	◆
9	000914 006 109		5	THREADED PIN	5.90X13.90mm		◆	◆	◆	◆	◆	◆
10	946 260 3561	(946 260 3661)	1	PLANETARY CARRIER						◆	◆	◆
		(945 260 4561)										
		(945 260 4461)										
10	389 260 8761	(389 260 8661)	1	PLANETARY CARRIER			◆	◆	◆			
		(389 260 4661)										
		(389 260 5261)										
11	008 981 1325		1	ROLLER BEARING	90X130X14mm		◆	◆	◆	◆	◆	◆
12	945 262 0108	(389 262 0808)	1	ANNULUS 85 T			◆	◆	◆			
13	945 262 0208		1	RING WHEEL 85 T	70.0mm					◆	◆	◆
13	389 262 0708		1	RING WHEEL 85 T	64.0mm					◆	◆	◆
14	389 262 0773		1	LOCK RING						◆	◆	◆
15	389 262 1425		1	CARRIER HUB 85 T						◆	◆	◆
16	947 260 3036	(947 260 0836)	1	FOLLOWER RING		(1)				◆	◆	◆
16	389 260 2036		1	FOLLOWER RING		(2)	◆	◆	◆			
17	389 262 0293		2	SPRING			◆	◆	◆	◆	◆	◆
18	947 260 3045	(947 260 0945)	2	SYNCHRONIZING CONE		(1)				◆	◆	◆
18	945 260 0850		2	SYNCHRONIZING CONE		(2)	◆	◆	◆			
18	389 262 0537		2	SYNCHRONIZING CONE		(2)	◆	◆	◆			
19	389 262 4935	(389 262 2035)	1	GUIDE SLEEVE			◆	◆	◆	◆	◆	◆
20	930 262 0623	(945 262 6923)	1	ENGAGING SLEEVE		(1)				◆	◆	◆
20	945 262 6623	(945 262 2623)	1	ENGAGING SLEEVE		(2)	◆	◆	◆			
		(945 262 0823)										
		(389 262 3823)										
		(389 262 3623)										
		(389 262 1623)										
21	389 265 2449		2	SLIDING PAD		(2)	◆	◆	◆			
22	947 265 1701	(947 265 1901)	1	SHIFTING FORK		(2)	◆	◆	◆			
		(930 265 0001)										
		(389 265 0901)										
		(389 265 0201)										
23	389 267 3417		1	SHIFTING ROD			◆					
23	389 267 7217	(389 267 3917)	1	SHIFTING ROD				◆	◆			

**NOTES :**

- [X1] : for gearboxes numbered label nos 715240 EPS, 715252 MPS
- [X2] : for gearboxes numbered label nos 715241-42 MPS
- [X3] : for gearbox numbered label no 715253 MPS
- [X4] : for gearbox numbered label no 715500
- [X5] : for gearbox numbered label no 715501
- [X6] : for gearbox numbered label no 715504
- (1) from gearbox number of 366887
- (2) to gearbox number of 366886

G210-16

# GEARBOX G210-16

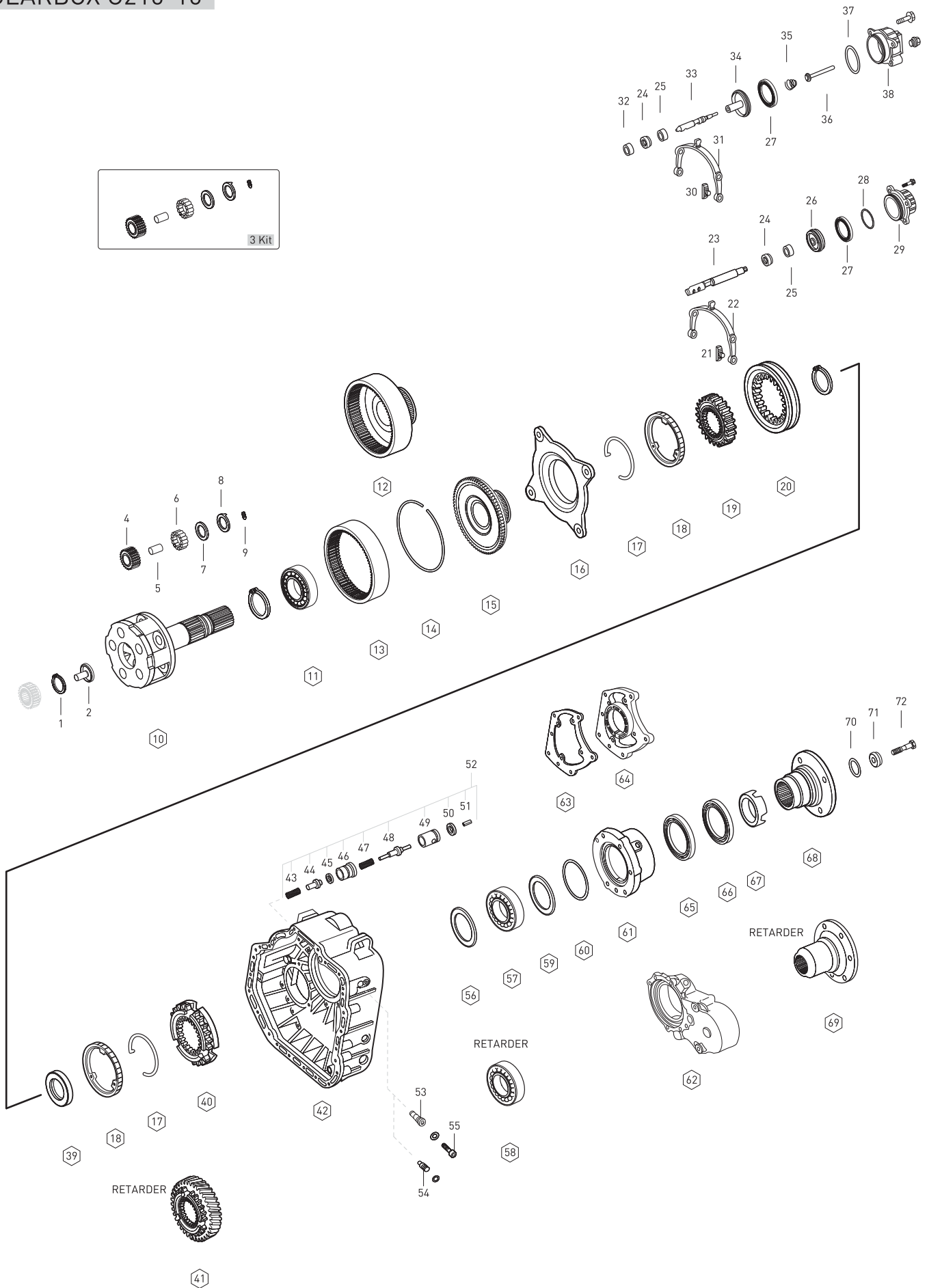


Fig	Oem No	Oem Old No	Pcs.	Description	Sizes	Notes	[X1]: G210-16/14,2-0,83	[X2]: G210-16/14,2-0,83	[X3]: G210-16/14,2-0,83	[X4]: G210-16	[X5]: G210-16	[X6]: G210-16
24	000 267 0197	(000 267 0397)	1	FLANGE PACKING			◆	◆	◆	◆	◆	◆
25	387 267 0650		1	BUSHING			◆	◆	◆	◆	◆	◆
26	389 267 1018	(389 267 0118)	1	PISTON		(4)	◆	◆	◆			
27	024 997 8347	(020 997 6747)	1	SEAL RING			◆	◆	◆	◆	◆	◆
		(014 997 3647)										
		(014 997 5147)										
28	013 997 7548		1	O-RING	89.5X3.0mm		◆	◆	◆			
29	945 267 1119	(389 267 2919)	1	SHIFTING CYLINDER			◆	◆	◆			
		(389 267 1319)										
		(389 267 1419)										
		(389 267 4219)										
30	947 265 0349	(389 265 2749)	2	SLIDING PAD		(1)				◆	◆	◆
31	947 265 2701	(947 265 2601)	1	SHIFTING FORK		(1)				◆	◆	◆
32	000 992 7703	(389 267 2250)	1	BUSHING			◆	◆	◆	◆	◆	◆
33	930 267 0217	(945 267 2217)	1	SHIFTING ROD						◆	◆	
		(945 267 2117)										
33	930 260 1189	(930 260 0389)	1	SHIFTING ROD						◆	◆	
33	930 260 2889	(389 267 7617)	1	SHIFTING ROD						◆	◆	
		(389 267 6917)										
33	930 260 1589	(930 260 0789)	1	SHIFTING ROD						◆	◆	
33	930 260 2789	(389 267 7317)	1	SHIFTING ROD						◆	◆	◆
33	930 260 1489	(930 260 0689)	1	SHIFTING ROD						◆	◆	◆
		(930 260 1689)										
		(930 260 0889)										
33	930 260 2589	(389 267 3517)	1	SHIFTING ROD						◆	◆	◆
34	930 267 0618		1	PISTON						◆	◆	
34	945 267 0718		1	PISTON						◆	◆	
35	008 993 0801		1	SPRING						◆	◆	
35	000 993 6705		1	SPRING						◆	◆	
36	000 543 5785		1	PIN						◆	◆	
36	000 543 5485	(000 543 5185)	1	PIN						◆	◆	
37	017 997 6545		1	O-RING	96.0X1.5mm					◆	◆	◆
38	945 267 1319	(945 267 1619)	1	SHIFTING CYLINDER		(5)				◆	◆	◆
38	945 267 1219	(945 267 1019)	1	SHIFTING CYLINDER		(6)				◆		
		(945 267 0519)										
39	389 262 0251		1	SPACER RING			◆	◆	◆	◆	◆	◆
40	945 262 3834		1	ENGAGING RING		(1)				◆	◆	◆
40	945 262 1234	(389 262 9234)	1	ENGAGING RING		(10)[2]	◆	◆	◆			
40	389 262 4434		1	ENGAGING RING		(7)	◆	◆	◆			
41	930 264 0320	(945 264 0520)	1	ENGAGING RING	RETARDER	(1)				◆	◆	◆
41	930 264 0120		1	ENGAGING RING	RETARDER	(2)	◆	◆	◆			

**NOTES :**

[X1] : for gearboxes numbered label nos 715240 EPS, 715252 MPS

[X2] : for gearboxes numbered label nos 715241-42 MPS

[X3] : for gearbox numbered label no 715253 MPS

[X4] : for gearbox numbered label no 715500

[X5] : for gearbox numbered label no 715501

[X6] : for gearbox numbered label no 715504

(1) from gearbox number of 366887 (6) from gearbox number of 117885

(2) to gearbox number of 366886 (7) to gearbox number of 380570

(4) to gearbox number of 291690 (10) from gearbox number of 380571

(5) to gearbox number of 117884

G210-16

# GEARBOX G210-16

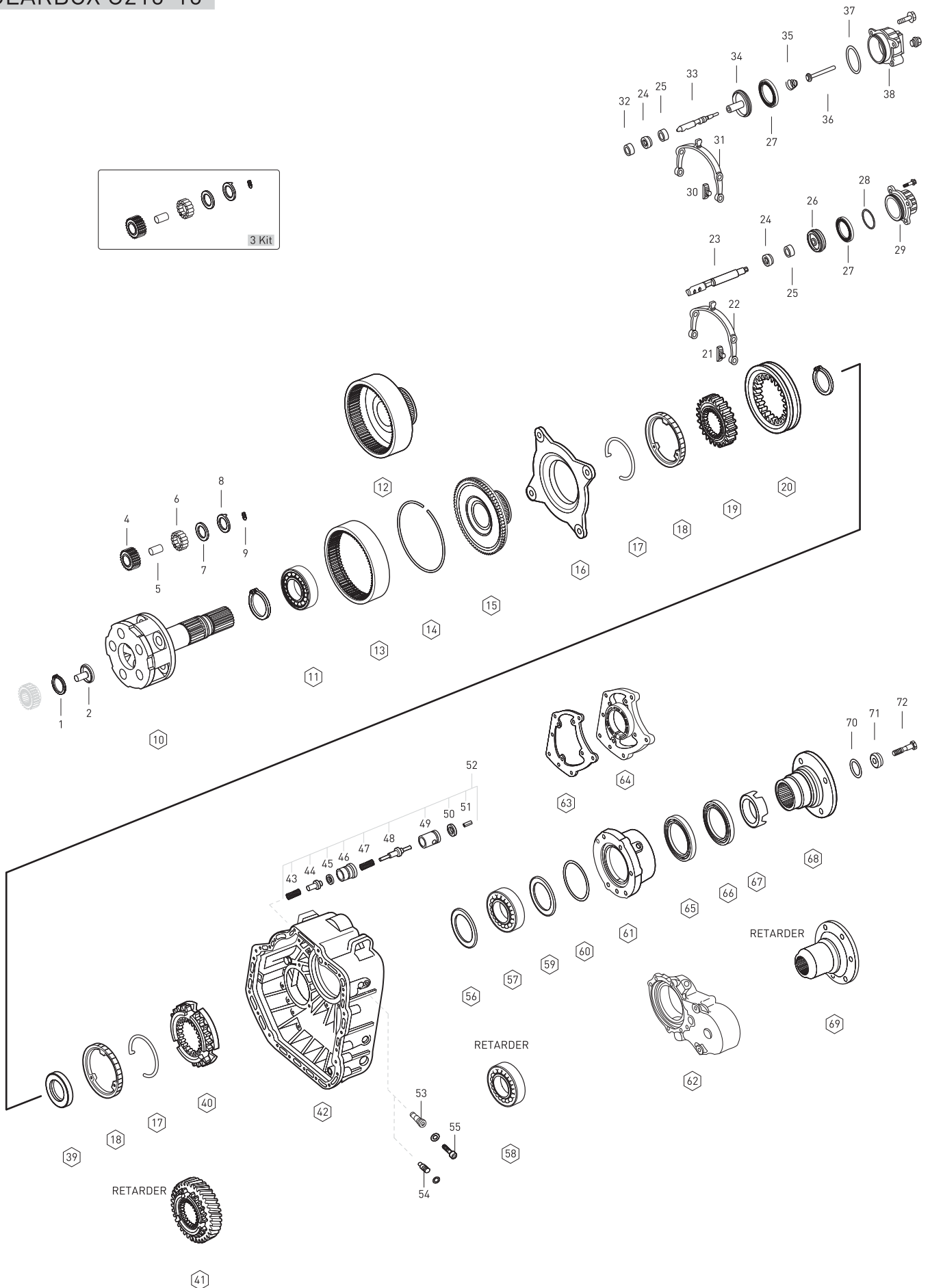


Fig	o. Oem No	Oem Old No	Pcs.	Description	Sizes	Notes	[X1]: G210-16/14.2-0.83	[X2]: G210-16/14.2-0.83	[X3]: G210-16/14.2-0.83	[X4]: G210-16	[X5]: G210-16	[X6]: G210-16
41	945 264 0130		1	ENGAGING RING	RETARDER	(2)	◆	◆	◆			
41	389 264 0730	(389 264 0430)	1	ENGAGING RING	RETARDER	(8)	◆	◆	◆			
42	945 260 6812		1	HOUSING						◆	◆	◆
42	945 261 4903	(945 261 9803)	1	HOUSING						◆	◆	◆
		(945 261 4503)										
42	945 261 1403	(945 261 0703)	1	HOUSING						◆	◆	◆
42	930 260 1811		1	HOUSING						◆		
42	945 260 6912		1	HOUSING						◆		
42	930 260 2411		1	HOUSING						◆		
42	930 260 1511	(930 260 1411)	1	HOUSING						◆		
42	945 261 3826	(945 261 4303)	1	HOUSING						◆	◆	
		(945 261 0426)										
		(945 261 4703)										
		(945 261 2803)										
42	945 261 3503	(945 261 0326)	1	HOUSING						◆	◆	
		(945 261 3403)										
42	945 261 1603	(945 261 0803)	1	HOUSING						◆	◆	
42	945 261 2703	(945 261 3603)	1	HOUSING						◆	◆	
		(945 261 2203)										
		(945 261 2103)										
		(945 261 2003)										
42	945 261 5003		1	HOUSING		[9]	◆	◆	◆			
42	656 260 5611	(656 260 4811)	1	HOUSING		[11]	◆	◆	◆			
42	389 261 1126		1	HOUSING		[10][9]	◆	◆	◆			
42	655 260 7123	(655 260 6323)	1	HOUSING		[10][9]	◆	◆	◆			
		(655 260 4723)										
		(389 261 9703)										
		(389 261 9003)										
		(389 261 9603)										
		(389 261 8903)										
42	389 261 6403	(389 261 6203)	1	HOUSING		[12]	◆	◆	◆			
43	389 993 5301		1	SPRING			◆	◆	◆	◆	◆	◆
44	389 269 1026	(389 269 0926)	1	SELECTOR VALVE			◆	◆	◆	◆	◆	◆
45	013 997 0148		1	O-RING	13.3X2.4mm		◆	◆	◆	◆	◆	◆
46	389 269 1444	(389 269 0744)	1	VALVE INSERT			◆	◆	◆	◆	◆	◆
		(389 269 0144)										
47	389 993 4401		1	SPRING	11.5X41.9X1.0mm		◆	◆	◆	◆	◆	◆
48	389 269 0826		1	SELECTOR VALVE			◆	◆	◆	◆	◆	◆
49	389 269 0844		1	BALL			◆	◆	◆	◆	◆	◆
50	013 997 0048		1	O-RING	19.2X3.0mm		◆	◆	◆	◆	◆	◆
51	001481 004 001		1	CLAMPING SLEEVE			◆	◆	◆	◆	◆	◆

NOTES :

- [X1] : for gearboxes numbered label nos 715240 EPS, 715252 MPS
- [X2] : for gearboxes numbered label nos 715241-42 MPS
- [X3] : for gearbox numbered label no 715253 MPS
- [X4] : for gearbox numbered label no 715500
- [X5] : for gearbox numbered label no 715501
- [X6] : for gearbox numbered label no 715504
- (2) to gearbox number of 366886
- (8) to gearbox number of 239189
- (9) to gearbox number of 405419
- (10) from gearbox number of 380571
- (11) from gearbox number of 405420
- (12) to gearbox number of 339359

G210-16

# GEARBOX G210-16

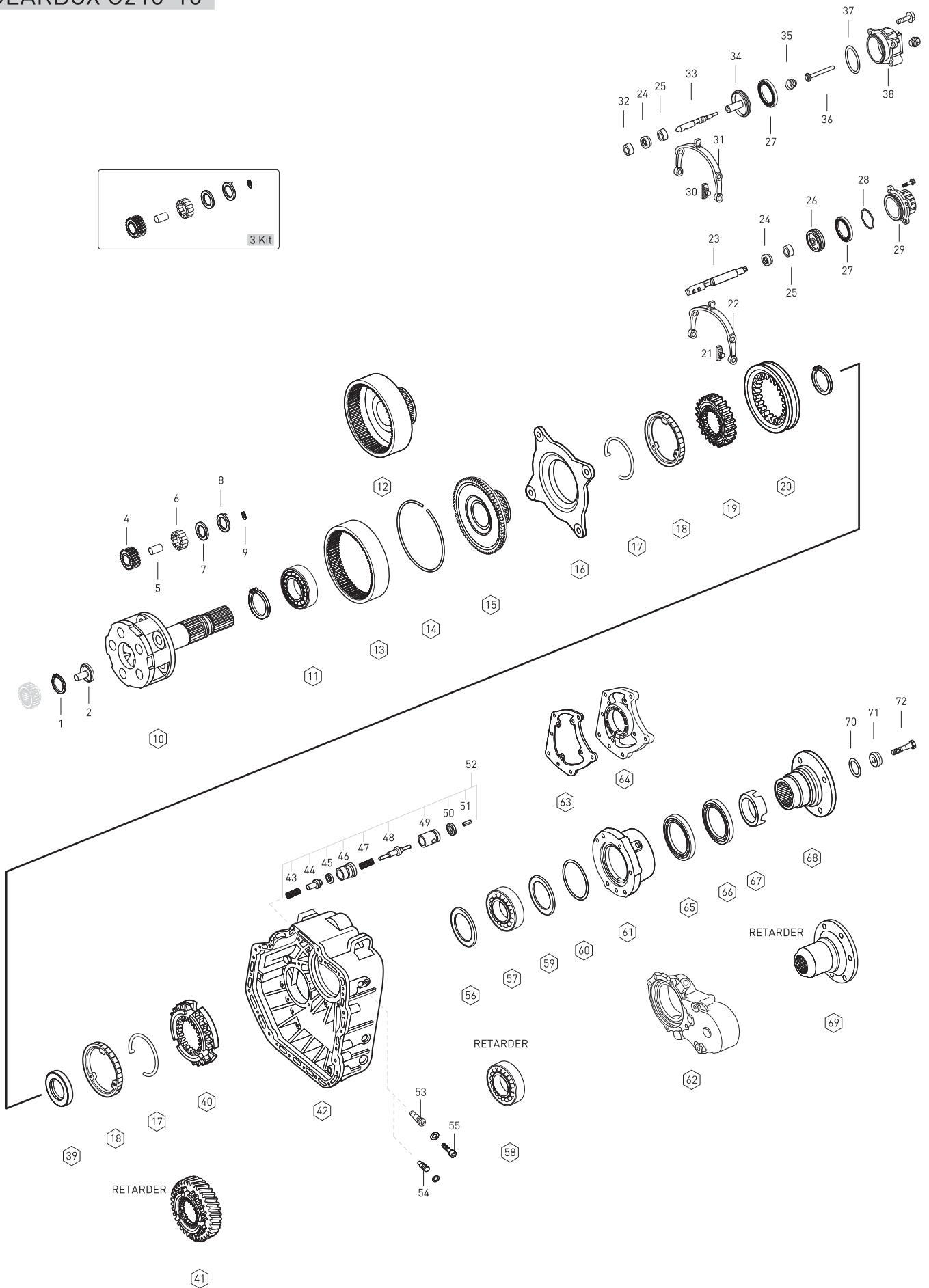


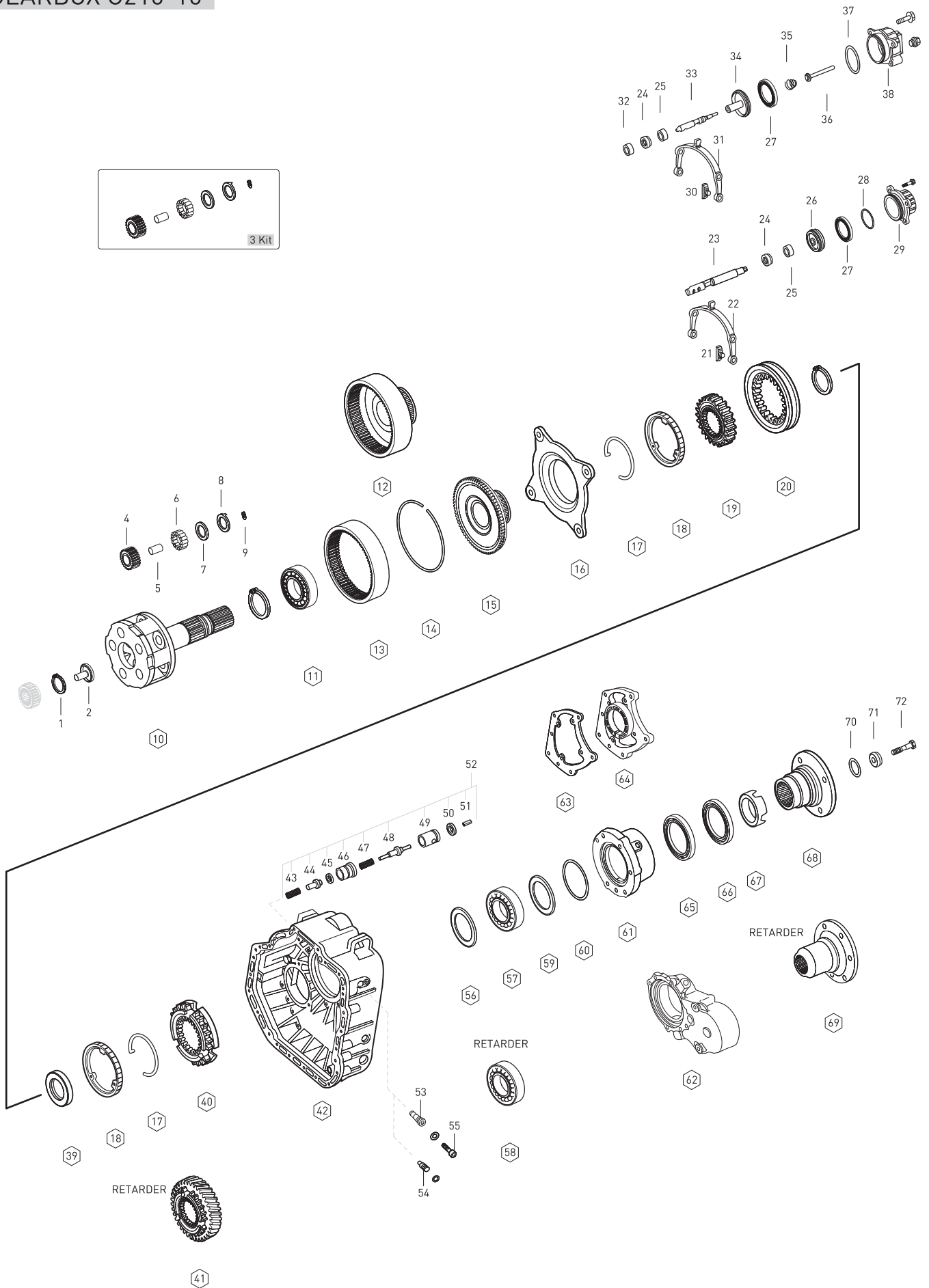


Fig.	o. Oem No	Oem Old No	Pcs	Description	Sizes	Notes	[X1]: G210-16/14,2-0,83	[X2]: G210-16/14,2-0,83	[X3]: G210-16/14,2-0,83	[X4]: G210-16	[X5]: G210-16	[X6]: G210-16
52	655 260 0157		1	VALVE KIT	(PTO)		◆	◆	◆	◆	◆	◆
53	945 265 1474	(945 265 1774)	2	PIN		[14]	◆	◆	◆	◆	◆	◆
		(389 265 2874)										
54	389 265 0974		2	PIN		[13]	◆	◆	◆	◆	◆	◆
55	007984 008 013		2	SCREW		[13]	◆	◆	◆	◆	◆	◆
56	389 262 7854		1	THRUST WASHER	3.50mm	[7]	◆	◆	◆			
57	008 981 5225	(008 981 3025)	1	ROLLER BEARING		[15]				◆	◆	◆
57	008 981 1425		1	ROLLER BEARING			◆	◆	◆	◆	◆	◆
57	004 981 8925		1	ROLLER BEARING		[16]	◆	◆	◆			
58	007 981 8701		1	ROLLER BEARING	RETARDER					◆	◆	
58	007 981 8201		1	ROLLER BEARING	RETARDER					◆	◆	
59	389 262 7754		1	SHIM	1.40mm	[7]	◆	◆	◆	◆	◆	◆
59	389 262 5152		1	SHIM	0.80mm	[7]	◆	◆	◆	◆	◆	◆
59	389 262 5052		1	SHIM	0.40mm	[7]	◆	◆	◆	◆	◆	◆
59	389 262 7654		1	SHIM	0.25mm	[7]	◆	◆	◆	◆	◆	◆
59	389 262 4952		1	SHIM	0.20mm	[7]	◆	◆	◆	◆	◆	◆
59	389 262 4852		1	SHIM	0.15mm	[7]	◆	◆	◆	◆	◆	◆
59	389 262 4752		1	SHIM	0.10mm	[7]	◆	◆	◆	◆	◆	◆
60	020 997 8548	(015 997 2848)	1	O-RING	149.5X3.0mm		◆	◆	◆	◆	◆	◆
61	389 261 1920	(389 261 0520)	1	COVER			◆	◆	◆	◆	◆	◆
		(389 261 0420)										
61	930 261 0420		1	COVER					◆			
61	930 261 0520	(389 261 2220)	1	COVER					◆			
		(389 261 2020)										
		(389 261 1820)										
62	389 261 1120		1	COVER						◆	◆	
63	945 261 0280		1	GASKET	(PTO)					◆	◆	◆
63	945 261 0080	(389 261 1980)	1	GASKET	(PTO)		◆	◆	◆			
		(389 261 1480)										
		(389 261 0780)										
64	945 261 1033		1	COVER	(PTO)		◆	◆	◆	◆	◆	◆
64	389 261 2433	(389 261 1033)	1	COVER	(PTO)		◆	◆	◆	◆	◆	◆
		(389 261 2333)										
		(389 261 0933)										
65	013 997 5547		1	OIL SEAL			◆	◆	◆	◆	◆	◆
65	013 997 7247		1	OIL SEAL			◆	◆	◆	◆	◆	◆
65	014 997 1947		1	OIL SEAL			◆	◆	◆	◆	◆	◆
65	015 997 6647		1	OIL SEAL			◆	◆	◆	◆	◆	◆
65	015 997 6447		1	OIL SEAL			◆	◆	◆	◆	◆	◆
66	015 997 4247		1	OIL SEAL			◆	◆	◆	◆	◆	◆
66	013 997 7347		1	OIL SEAL			◆	◆	◆	◆	◆	◆

NOTES :

- [X1] : for gearboxes numbered label nos 715240 EPS, 715252 MPS
- [X2] : for gearboxes numbered label nos 715241-42 MPS
- [X3] : for gearbox numbered label no 715253 MPS
- [X4] : for gearbox numbered label no 715500
- [X5] : for gearbox numbered label no 715501
- [X6] : for gearbox numbered label no 715504
- [7] to gearbox number of 380570
- [13] to gearbox number of 490748
- [14] from gearbox number of 490749
- [15] from gearbox number of 505542
- [16] to gearbox number of 505541

# GEARBOX G210-16





# GEARBOX G210-16

SYNCHRONIZER KIT CONST.  
NEW MODEL

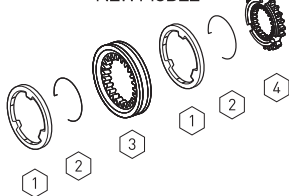


Fig.	o. Oem No	Oem Old No	Pcs	Description
	<b>2106208</b>		Kit	SYNCHRONIZER KIT Const
1	<b>945 260 2245</b>	<b>(947 260 0545)</b>	2	SYNCHRONIZING CONE
2	<b>387 262 1093</b>		2	SPRING
3	<b>945 262 6823</b>	<b>(945 262 6423)</b>	1	ENGAGING SLEEVE
4	<b>945 262 3634</b>		1	ENGAGING RING

SYNCHRONIZER KIT CONST.

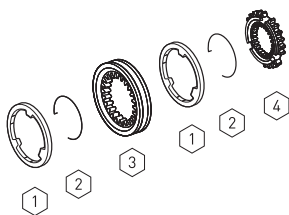


Fig.	o. Oem No	Oem Old No	Pcs	Description
	<b>2106209</b>		Kit	SYNCHRONIZER KIT Const
1	<b>389 262 0637</b>		2	SYNCHRONIZING CONE
2	<b>387 262 1093</b>		2	SPRING
3	<b>945 262 2823</b>	<b>(945 262 0323)</b>	1	ENGAGING SLEEVE
		<b>(945 262 0623)</b>		
		<b>(389 262 4123)</b>		
		<b>(389 262 2723)</b>		
4	<b>389 262 5434</b>	<b>(945 262 0134)</b>	1	ENGAGING RING
		<b>(945 262 0334)</b>		

SYNCHRONIZER KIT CONST.  
OLD MODEL

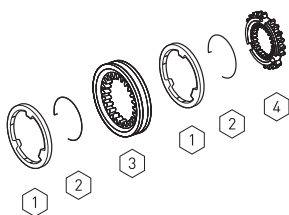


Fig.	o. Oem No	Oem Old No	Pcs	Description
	<b>2106210</b>		Kit	SYNCHRONIZER KIT Const
1	<b>389 262 0637</b>		2	SYNCHRONIZING CONE
2	<b>387 262 1093</b>		2	SPRING
3	<b>945 262 2823</b>	<b>(945 262 0323)</b>	1	ENGAGING SLEEVE
		<b>(945 262 0623)</b>		
		<b>(389 262 4123)</b>		
		<b>(389 262 2723)</b>		
4	<b>945 262 4034</b>	<b>(389 262 5334)</b>	1	ENGAGING RING

SYNCHRONIZER KIT 3rd/4th  
NEW MODEL

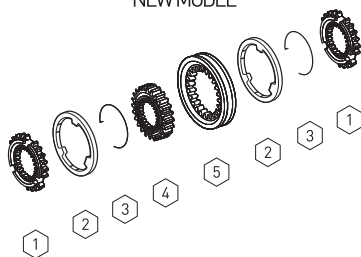


Fig.	o. Oem No	Oem Old No	Pcs	Description
	<b>2106211</b>		Kit	SYNCH.KIT 3rd/4th
1	<b>945 262 5434</b>		2	ENGAGING RING
2	<b>947 260 1945</b>	<b>(946 262 6137)</b>	2	SYNCHRONIZING CONE
		<b>(947 260 0745)</b>		
3	<b>387 262 0893</b>		2	SPRING
4	<b>389 262 4735</b>	<b>(389 262 4635)</b>	1	GUIDE SLEEVE
5	<b>945 262 6523</b>		1	ENGAGING SLEEVE

SYNCHRONIZER KIT 3rd/4th

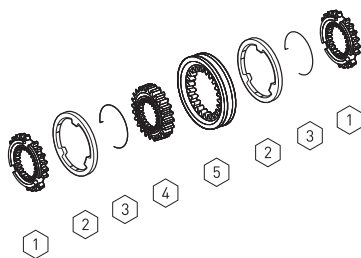


Fig.	o. Oem No	Oem Old No	Pcs	Description
	<b>2106212</b>		Kit	SYNCH.KIT 3rd/4th
1	<b>945 262 0534</b>	<b>(389 262 5034)</b>	2	ENGAGING RING
2	<b>389 262 0737</b>		2	SYNCHRONIZING CONE
3	<b>387 262 0893</b>		2	SPRING
4	<b>389 262 4735</b>	<b>(389 262 4635)</b>	1	GUIDE SLEEVE
5	<b>945 262 2723</b>	<b>(945 262 0423)</b>	1	ENGAGING SLEEVE
		<b>(389 262 2623)</b>		

Fig.	o. Oem No	Oem Old No	Pcs	Description
	<b>2106213</b>		Kit	SYNCH.KIT 3rd/4th
1	<b>945 262 4034</b>	<b>(389 262 5334)</b>	2	ENGAGING RING
2	<b>389 262 0637</b>		2	SYNCHRONIZING CONE
3	<b>387 262 1093</b>		2	SPRING
4	<b>389 262 2835</b>		1	GUIDE SLEEVE
5	<b>945 262 2823</b>	<b>(945 262 0323)</b>	1	ENGAGING SLEEVE
		<b>(945 262 0623)</b>		
		<b>(389 262 4123)</b>		
		<b>(389 262 2723)</b>		

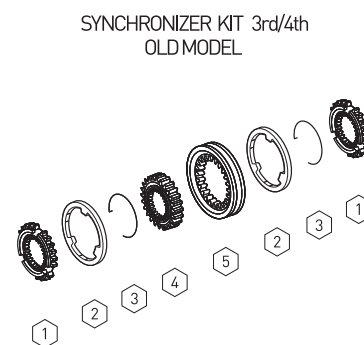


Fig.	o. Oem No	Oem Old No	Pcs	Description
	<b>2106214</b>		Kit	SYNCH.KIT 1st/2nd
1	<b>945 262 5534</b>		2	ENGAGING RING
2	<b>947 260 1945</b>	<b>(946 262 6137)</b>	2	SYNCHRONIZING CONE
		<b>(947 260 0745)</b>		
3	<b>387 262 0893</b>		2	SPRING
4	<b>389 262 2535</b>	<b>(945 262 0135)</b>	1	GUIDE SLEEVE
5	<b>945 262 6523</b>		1	ENGAGING SLEEVE

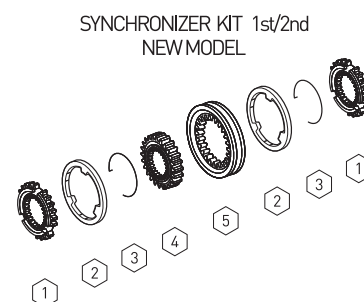


Fig.	o. Oem No	Oem Old No	Pcs.	Description
	<b>2106215</b>		Kit 1	SYNCH.KIT 1st/2nd
1	<b>945 262 0434</b>	<b>(389 262 0034)</b>	2 1	ENGAGING RING
2	<b>389 262 0737</b>		2 1	SYNCHRONIZING CONE
3	<b>387 262 0893</b>		2 1	SPRING
4	<b>389 262 2535</b>	<b>(945 262 0135)</b>	1 1	GUIDE SLEEVE
5	<b>945 262 2723</b>	<b>(945 262 0423)</b>	1 1	ENGAGING SLEEVE
		<b>(389 262 2623)</b>		

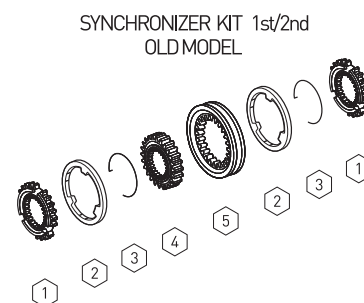


Fig.	o. Oem No	Oem Old No	Pcs	Description
	<b>2106216</b>		Kit	SYNCH.KIT PLANETARY
1	<b>947 260 3036</b>	<b>(947 260 0836)</b>	1	FOLLOWER RING
2	<b>389 262 0293</b>		2	SPRING
3	<b>947 260 3045</b>	<b>(947 260 0945)</b>	2	SYNCHRONIZING CONE
4	<b>389 262 4935</b>	<b>(389 262 2035)</b>	1	GUIDE SLEEVE
5	<b>930 262 0623</b>	<b>(945 262 6923)</b>	1	ENGAGING SLEEVE
6	<b>945 262 3834</b>		1	ENGAGING RING

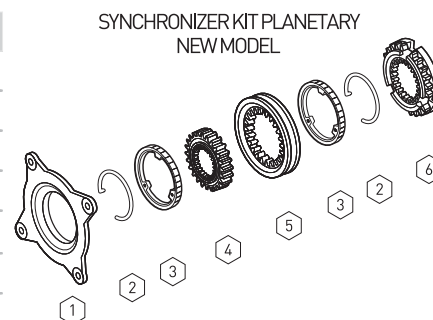


Fig.	o. Oem No	Oem Old No	Pcs	Description
	<b>2106204</b>		Kit	SYNCH.KIT PLANETARY
1	<b>389 262 0293</b>		2	SPRING
2	<b>947 260 3045</b>	<b>(947 260 0945)</b>	2	SYNCHRONIZING CONE
3	<b>389 262 4935</b>	<b>(389 262 2035)</b>	1	GUIDE SLEEVE
4	<b>930 262 0623</b>	<b>(945 262 6923)</b>	1	ENGAGING SLEEVE



# GEARBOX G210-16

## SYNCHRONIZER KIT PLANETARY

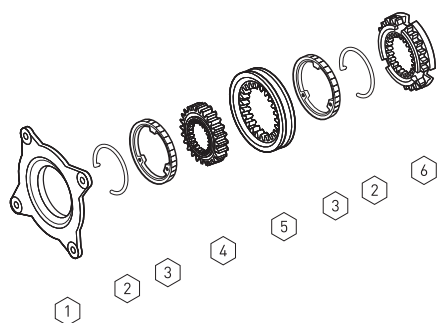


Fig.	Kacmaz No.	Oem No	Oem Old No	Pcs	Description
	<b>K21.06217</b>	<b>2106217</b>		Kit	SYNCH.KIT PLANETARY
1	<b>K21.03018</b>	<b>389 260 2036</b>		1	FOLLOWER RING
2	<b>K21.03077</b>	<b>389 262 0293</b>		2	SPRING
3	<b>K21.03017</b>	<b>389 262 0537</b>		2	SYNCHRONIZING CONE
4	<b>K21.03079</b>	<b>389 262 4935</b>	<b>(389 262 2035)</b>	1	GUIDE SLEEVE
5	<b>K21.03028</b>	<b>945 262 6623</b>	<b>(945 262 2623)</b> <b>(945 262 0823)</b> <b>(389 262 3823)</b> <b>(389 262 3623)</b> <b>(389 262 1623)</b>	1	ENGAGING SLEEVE
6	<b>K21.03187</b>	<b>945 262 1234</b>	<b>(389 262 9234)</b>	1	ENGAGING RING

## SYNCHRONIZER KIT PLANETARY

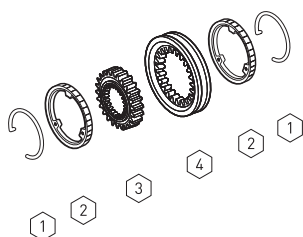


Fig.	Kacmaz No.	Oem No	Oem Old No	Pcs	Description
	<b>K21.06194</b>	<b>2106194</b>		Kit	SYNCH.KIT PLANETARY
1	<b>K21.03077</b>	<b>389 262 0293</b>		2	SPRING
2	<b>K21.03017</b>	<b>389 262 0537</b>		2	SYNCHRONIZING CONE
3	<b>K21.03079</b>	<b>389 262 4935</b>	<b>(389 262 2035)</b>	1	GUIDE SLEEVE
4	<b>K21.03028</b>	<b>945 262 6623</b>	<b>(945 262 2623)</b> <b>(945 262 0823)</b> <b>(389 262 3823)</b> <b>(389 262 3623)</b> <b>(389 262 1623)</b>	1	ENGAGING SLEEVE

## RETARDER

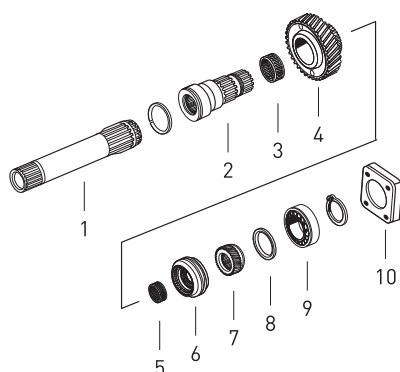


Fig.	Kacmaz No.	Oem No	Oem Old No	Pcs	Description
1	<b>K21.03494</b>	<b>387 264 0505</b>		1	INTERM.SHAFT
1	<b>K21.06180</b>	<b>389 264 0105</b>		1	INTERM.SHAFT
1	<b>K21.06181</b>	<b>945 264 0605</b>		1	INTERM.SHAFT
1	<b>K21.06182</b>	<b>945 264 0705</b>		1	INTERM.SHAFT
1	<b>K21.06183</b>	<b>945 264 1405</b>		1	INTERM.SHAFT
2	<b>K21.03495</b>	<b>945 264 0606</b>		1	DRIVE SHAFT
3		<b>010 981 1310</b>		1	NEEDLE CAGE
4	<b>K21.06184</b>	<b>945 264 0020</b>		1	GEAR
5		<b>015 981 9310</b>		1	NEEDLE CAGE
6		<b>389 264 0023</b>		1	SLIDING COLLAR
7		<b>945 264 0046</b>		1	FOLLOWER
8		<b>673 264 0252</b>		1	SHIM (0.10mm)
8		<b>673 264 0352</b>		1	SHIM (0.15mm)
8		<b>673 264 0452</b>		1	SHIM (0.25mm)
8		<b>673 264 0552</b>		1	SHIM (0.30mm)
9		<b>009 981 5301</b>		1	ROLLER BEARING
10		<b>389 264 0111</b>		1	COVER

Fig.	o. Oem No	Oem Old No	Pcs.	Description
1	945 264 0305		1	INTERM.SHAFT
1	389 264 0505		1	INTERM.SHAFT
1	<b>K21.03493</b> 389 264 0205	(387 264 0405)	1	INTERM.SHAFT
2	013 981 0610		1	NEEDLE CAGE
3	008 981 3225		1	ROLLER BEARING
4	945 264 0687	(389 264 0587)	1	RING
5	389 264 0223		1	SLIDING COLLAR
6	006 981 2525		1	ROLLER BEARING
7	389 264 0780		1	GASKET
8	945 264 0611		1	COVER
8	389 264 0311		1	COVER

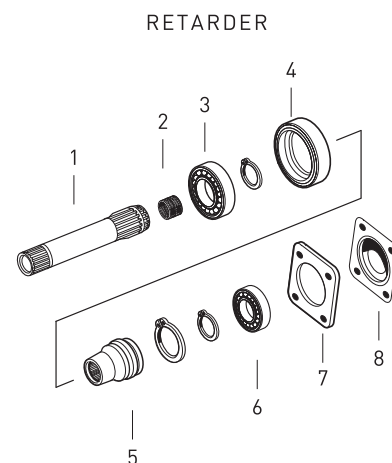


Fig.	o. Oem No	Oem Old No	Pcs.	Description
1	013 981 4705		1	ROLLER BEARING
2	945 264 0406		1	DRIVE SHAFT
2	945 264 0306		1	DRIVE SHAFT
3	019 997 8747		1	O-RING
4	019 997 8647		1	O-RING
5	015 981 0805		1	ROLLER BEARING
6	013 981 4605		1	ROLLER BEARING
7	945 264 0221		1	GEAR
8	945 264 0251		1	THRUST WASHER
9	013 981 0605		1	ROLLER BEARING
10	389 264 0652		1	SHIM (0.10mm)
10	389 264 0752		1	SHIM (0.15mm)
10	389 264 0852		1	SHIM (0.30mm)
10	389 264 0952		1	SHIM (0.50mm)
11	010 997 7445		1	O-RING
12	945 260 0027		1	SPINDLE

P.T.O. (POWER TAKE OFF)  
N.M.V. GEARBOX

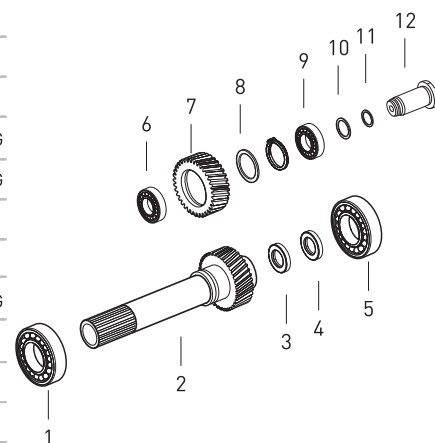


Fig.	o. Oem No	Oem Old No	Pcs.	Description
1	945 264 0106	(945 264 0506)	1	DRIVE SHAFT P.T.O.
2	011 981 4110	(011 981 4010)	1	NEEDLE BEARING
3	389 264 0073		1	RETAINING RING
4	389 264 0129		1	SPL.RING (3.97mm)
4	389 264 0829		1	SPL.RING (4.12mm)
4	389 264 0929		1	SPL.RING (4.22mm)
4	389 264 0429		1	SPL.RING (4.27mm)
5	945 264 0007		1	DISC SUPPORT
6	017 981 3705	(002 981 4481)	1	INNER RING
7	001 981 9280		1	OUTER RACE
8	945 264 0321		1	GEAR
8	945 264 0421		1	GEAR
9	389 264 1252		1	SHIM (0.05mm)
9	389 264 1352		1	SHIM (0.10mm)
9	389 264 1652		1	SHIM (0.30mm)
9	389 264 1752		1	SHIM (0.50mm)
10	009 981 6705	(009 981 7205)	1	ROLLER BEARING
11	385 993 3701		5	SPRING

P.T.O. (POWER TAKE OFF)  
N.M.V. GEARBOX

