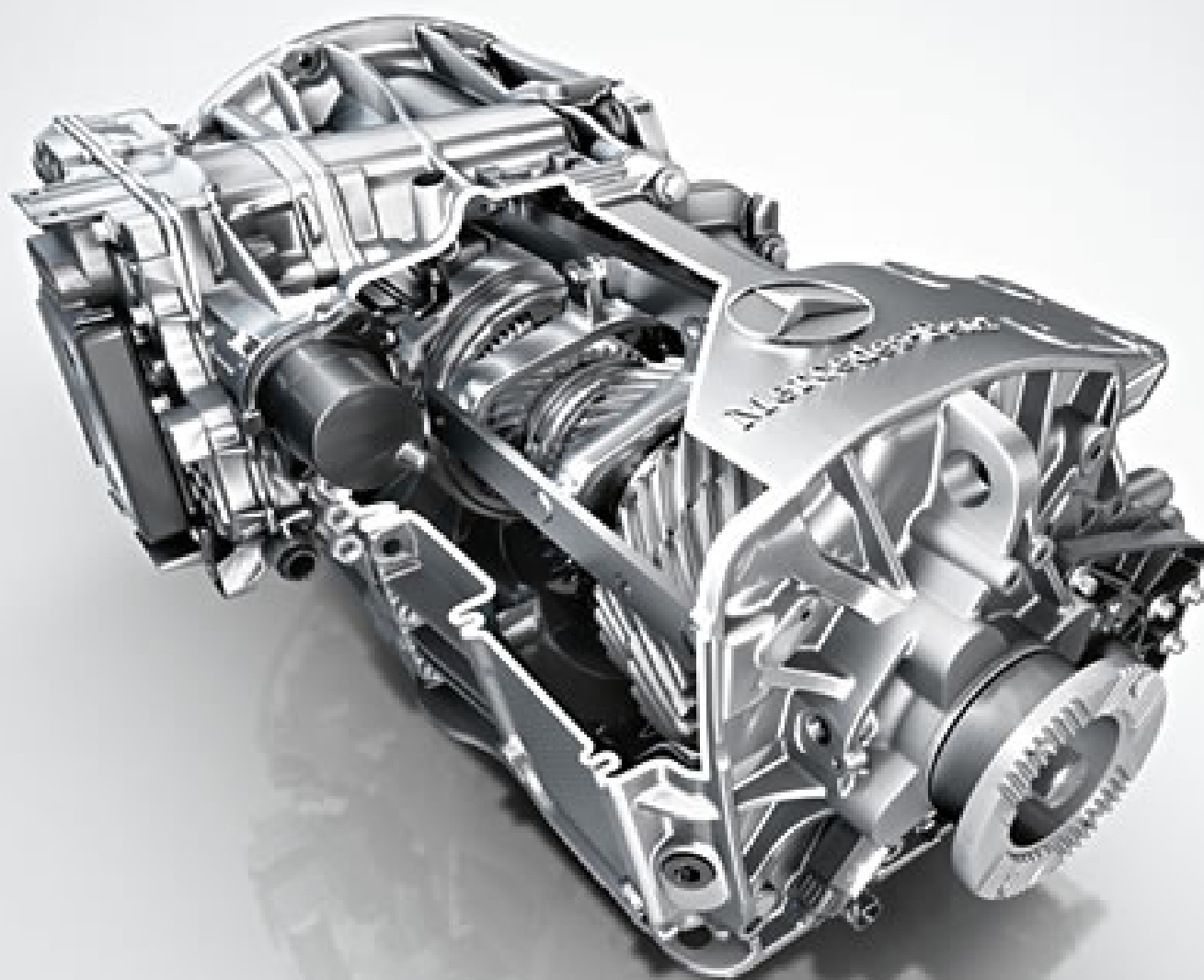


# **MERCEDES**

## **Gearbox**

## **Axle**

## **Hubs**



*Suitable To :* **MERCEDES**

---

## **Gearboxes**

GEARBOXES  
Cambi

## **Intermediate Axles**

INTERMEDIATE AXLES  
Ponti intermedi

## **Rear Axles**

REAR AXLES  
Ponti posteriori

## **Hubs**

HUBS  
Mozzi

Adattabile a : **MERCEDES**  
 Suitable To :

Modelli Cambio/ Gearbox Models  
 G3/50 - G3/60 - G3/61 (5 Speeds)

**Models**

NG (LP)

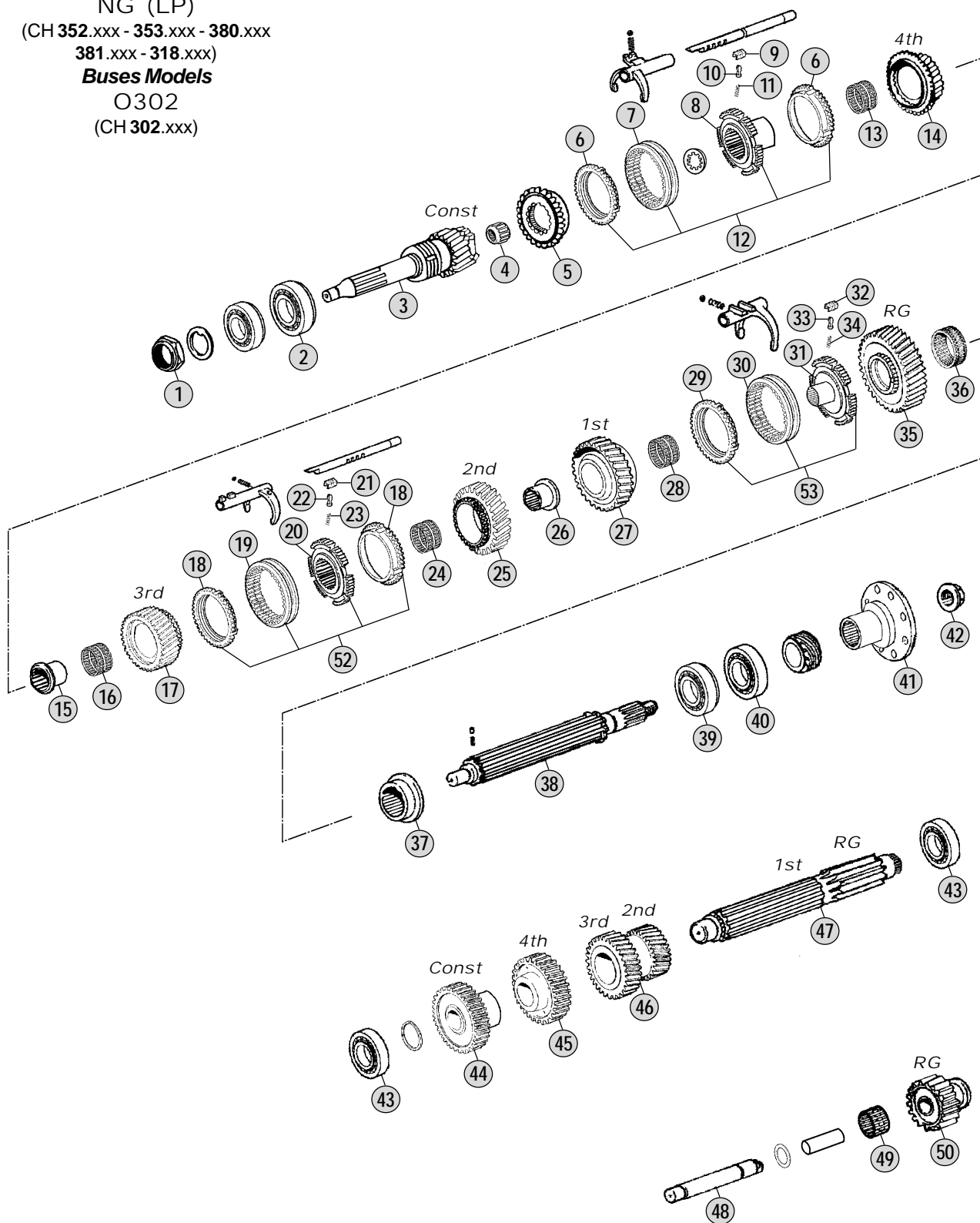
(CH 352.xxx - 353.xxx - 380.xxx

381.xxx - 318.xxx)

**Buses Models**

O302

(CH 302.xxx)



**Models**

G3/50-5/8,5      **714.000-004-009-010-011-013-022-030-033-034-035-048-049-055-061-083**

G3/60-5/7,5      **714.001-002-005-012-014-015-016-017-018-031-036-039-056-059-060-084-085-088**

G3/61-5/6,1      **714.019-020-021-023-038-057**

Fig.	no.	Rif. MB	Description	Q.ty	Note			
						G3/50	G3/60	G3/61
1		385 990 0351	Grooved Nut	1		●	●	●
2		001 981 1701	Bearing	1		●	●	●
3		381 262 0002	Inut Shaft 16 T	1	Up to 014575	●		
3		381 262 0102	Input Shaft 16 T	1	From 014576	●		
3		383 262 0302	Input Shaft 17 T	1			●	
3		383 262 0802	Input Shaft 18 T	1				●
4		001 981 0712	Bearing	1		●		
4		001 981 9412	Bearing 31x51x30,8	1			●	
4		001 981 9312	Needle Cage	1				●
5		383 262 0134	Synchronizer Cone	1		●	●	●
6		381 262 0037	Synchronizer Ring	2		●	●	●
7		381 262 0023	Sliding Sleeve	1		●	●	●
8		381 262 0035	Synchronizer Hub	1		●	●	
8		302 262 0535	Synchronizer Hub	1				●
9		337 262 0140	Slide	3		●	●	●
10		302 262 0174	Pin	3		●	●	●
11		302 993 0901	Spring 6,50x25,50	3		●	●	●
12		381 260 0345	Synchro Kit	1		●	●	
13		000 981 6712	Needle Cage	1				●
14		381 260 1744	Gear 4th Speed 19 T	1		●	●	
14		307 260 4244	Gear 4th Speed 23 T	1				●
15		337 262 2250	Bush H=42,10 mm	1		●	●	●
15		337 262 2150	Bush H=42.00 mm	1		●	●	●
16		327 981 0112	Needle Cage	1		●	●	●
17		302 260 1544	Gear 3rd Speed 25 T	1		●	●	
17		302 260 1644	Gear 3rd Speed 28 T	1				●
18		381 262 0037	Synchronizer Ring	2		●	●	●
19		381 262 0023	Sliding Sleeve	1		●	●	●
20		381 262 0135	Synchronizer Hub	1		●	●	●
21		337 262 0140	Slide	3		●	●	●
22		302 262 0174	Pin	3		●	●	●
23		302 993 0901	Spring 6,50x25,50	3		●	●	●
24		001 981 4612	Needle Cage	1		●	●	●
25		302 262 0312	Gear 2nd Speed 32 T	1		●	●	●
26		383 262 1450	Bush H=50.60 mm	1		●	●	●
26		383 262 1350	Bush H=50,50 mm	1		●	●	●
27		383 260 0142	Gear 1st Speed 39 T	1		●	●	●
28		001 981 4012	Needle Cage	1		●	●	●
29		381 262 0037	Synchronizer Ring	1		●	●	●
30		383 262 0023	Sliding Sleeve	1		●	●	●
31		383 262 0235	Synchronizer Hub	1		●	●	●
32		383 262 0040	Slide	3		●	●	●
33		302 262 0174	Pin	3		●	●	●
34		302 993 0901	Spring 6,50x25,50	3		●	●	●
35		383 262 0033	Reverse Gear 36 T	1		●	●	●

Notes

Date

04/ 2011

Table

0010



Adattabile a : **MERCEDES**  
Suitable To :

G3/50 - G3/60 - G3/61 (5 Speeds)

**Models**

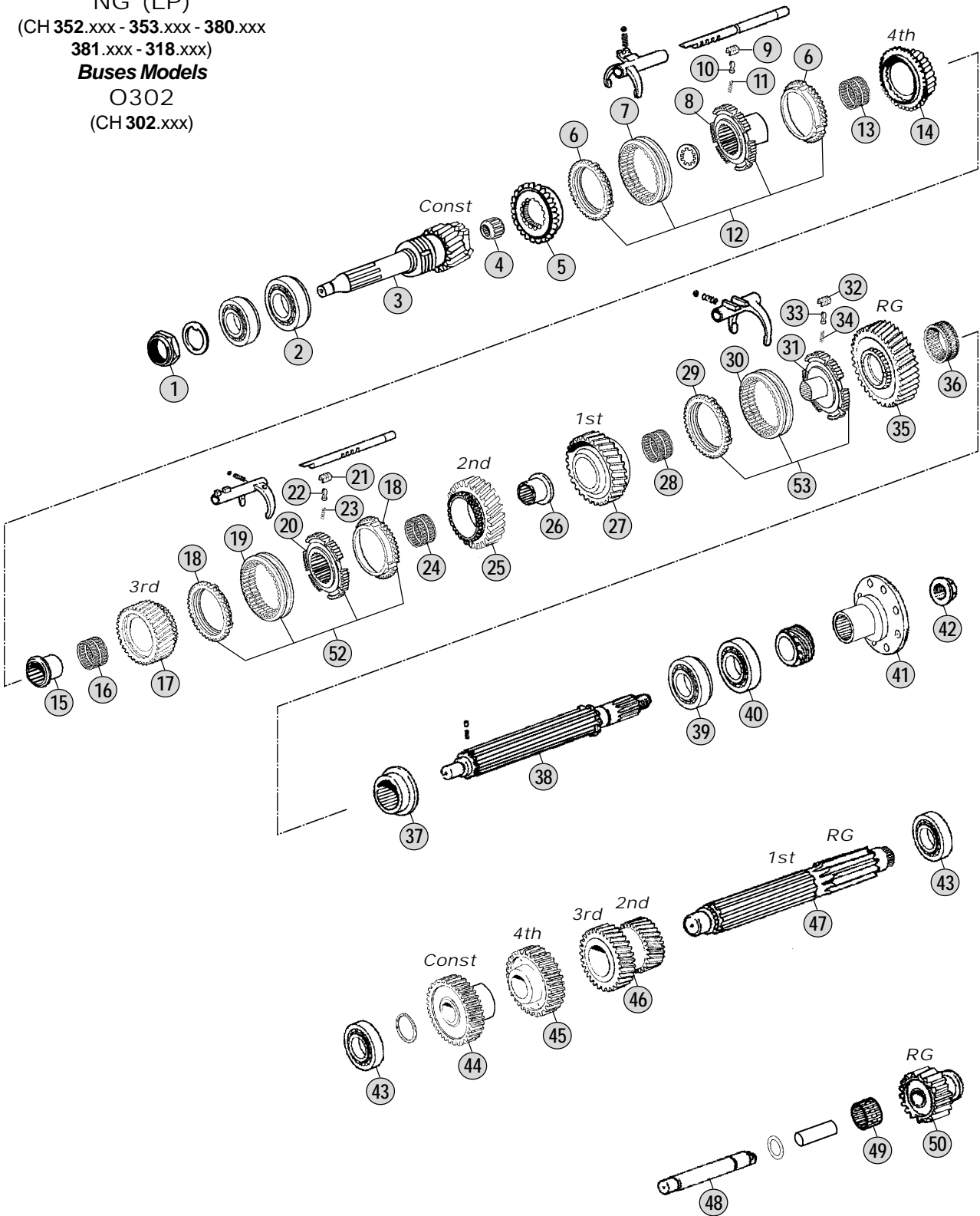
NG (LP)

(CH 352.xxx - 353.xxx - 380.xxx  
381.xxx - 318.xxx)

**Buses Models**

O302

(CH 302.xxx)



**Models**

G3/50-5/8,5      **714.000-004-009-010-011-013-022-030-033-034-035-048-049-055-061-083**

G3/60-5/7,5      **714.001-002-005-012-014-015-016-017-018-031-036-039-056-059-060-084-085-088**

G3/61-5/6,1      **714.019-020-021-023-038-057**

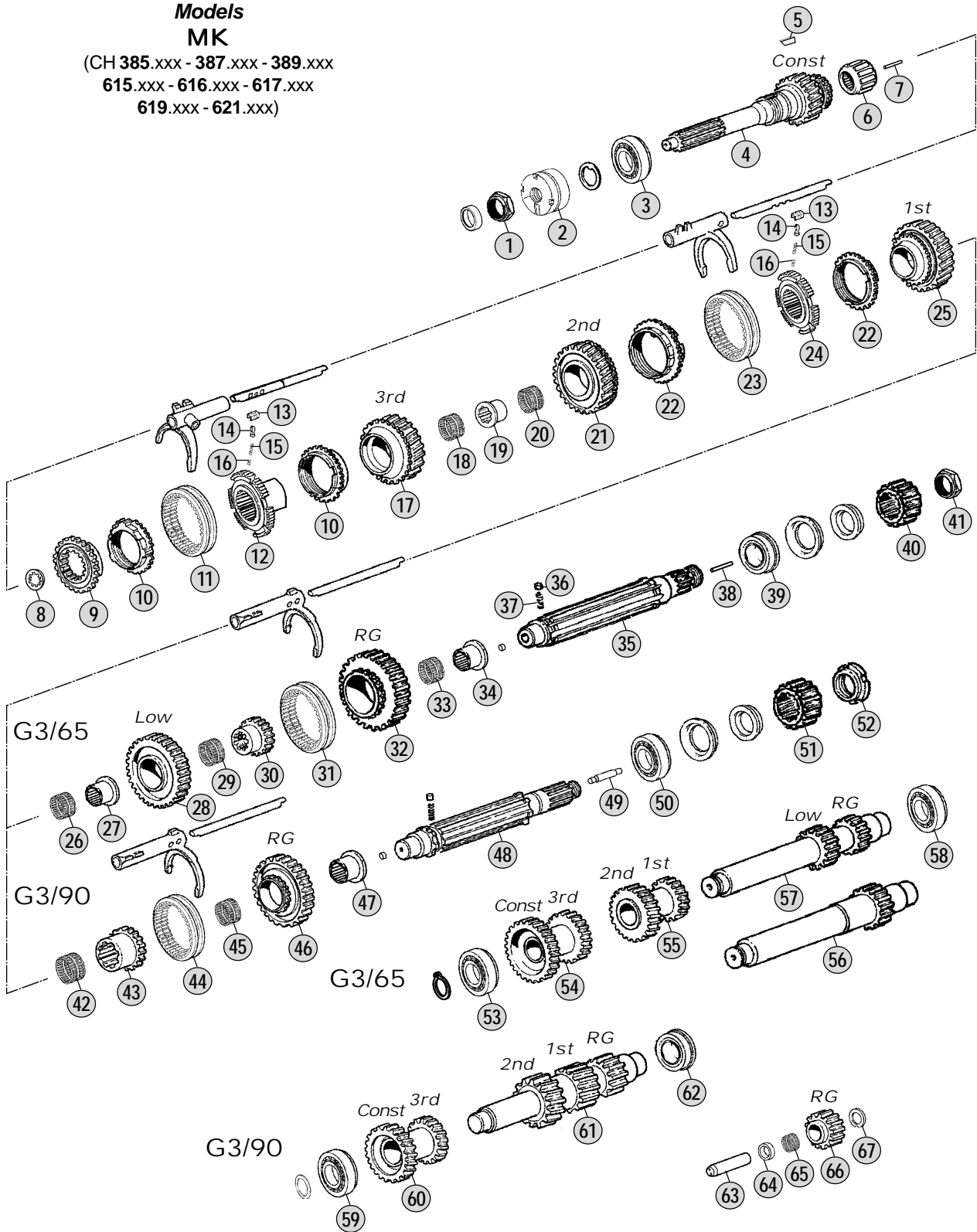


Adattabile a : **MERCEDES**  
Suitable To :

Modelli Cambio/ Gearbox Models  
**G3/65 - G3/90 (8 Speeds)**

**Models  
MK**

(CH 385.xxx - 387.xxx - 389.xxx  
615.xxx - 616.xxx - 617.xxx  
619.xxx - 621.xxx)



**Models**

G3/65 - 8/9,29 714.200-201-202-207-213-230-234-235-239-305-306-333

G3/90 - 8/9,29 714.300-301-302-303-305-306-330-331-332-333-334

Fig.	no.	Rif. MB	Description	Q.ty	Note	G3/65	G3/90			
1		385 990 0351	Grooved Nut	1		●	●			
2		385 260 0290	Oil Pump	1	(A)	●				
2		385 260 0390	Oil Pump	1	(B)	●				
2		385 260 0390	Oil Pump	1			●			
3		008 981 9501	Bearing	1		●	●			
4		385 262 0802	Input Shaft 23 T	1	(A)(1)	●				
4		385 262 2502	Input Shaft 23 T	1	(B)(1)	●				
4		385 262 1002	Input Shaft 23 T	1	(A)(2)	●				
4		385 262 2602	Input Shaft 23 T	1	(B)(2)	●				
4		385 262 2402	Input Shaft 23 T	1	(3)		●			
4		385 262 2702	Input Shaft	1	(4)		●			
4		385 262 3202	Input Shaft	1	(5)		●			
5		006888 003007	Key	1		●	●			
6		001 981 9312	Needle Cage	1		●				
6		001 981 9612	Needle Cage	1			●			
7		385 262 0353	Oil Plug	1	(A)	●				
7		385 269 0034	Oil Plug	1	(B)	●				
7		385 269 0034	Oil Plug	1			●			
8		317 262 4262	Washer	1		●	●			
8		317 262 4462	Washer	1		●	●			
8		317 262 4662	Washer	1		●	●			
8		317 262 4862	Washer	1		●	●			
8		317 262 5062	Washer	1		●	●			
9		385 262 0434	Synchronizer Cone	1		●				
9		385 262 1434	Synchronizer Cone	1			●			
10		425 262 0137	Synchronizer Ring	2		●	●			
11		381 262 0023	Sliding Sleeve	1		●	●			
12		385 262 0235	Synchronizer Hub	1		●				
12		385 262 0835	Synchronizer Hub	1			●			
13		337 262 0140	Slide	3	x 2	●	●			
14		302 262 0174	Pin	3	x 2	●	●			
15		385 993 2201	Spring	3	x 2	●	●			
16		302 993 0901	Spring 6,50x25,50	3	x 2	●	●			
17		385 260 1544	Gear 3rd Speed 27 T	1		●				
17		385 260 0944	Gear 3rd Speed 27 T	1			●			
18		001 981 2512	Needle Cage	1		●				
18		001 981 3512	Needle Cage	1			●			
19		385 262 0450	bush H= 46.40 mm	1		●				
19		385 262 2050	Bush	1			●			
20		000 981 6712	Needle Cage	1		●				
20		001 981 2512	Needle Cage	1			●			
21		385 260 1444	Gear 2nd Speed 32 T	1		●				
21		385 260 0744	Gear 2nd Speed 32 T	1			●			
22		425 262 0137	Synchronizer Ring	2		●	●			
23		381 262 0023	Sliding Sleeve	1		●	●			

**Notes**

(A-B) To be coupled together

(1) For Series 714.200-202-234-239

(2) For Series 714.201-207-213-230-235

(3) Excludes Series 714.305-306-333

(4) For Series 714.305-333

(5) For Series 714.306

(6) All Series Except 714.200-201-202-206-207-213-234-235

(7) Only for the Series 714.200-20-202-206-207-213-234-235

**Date**

04 / 2011

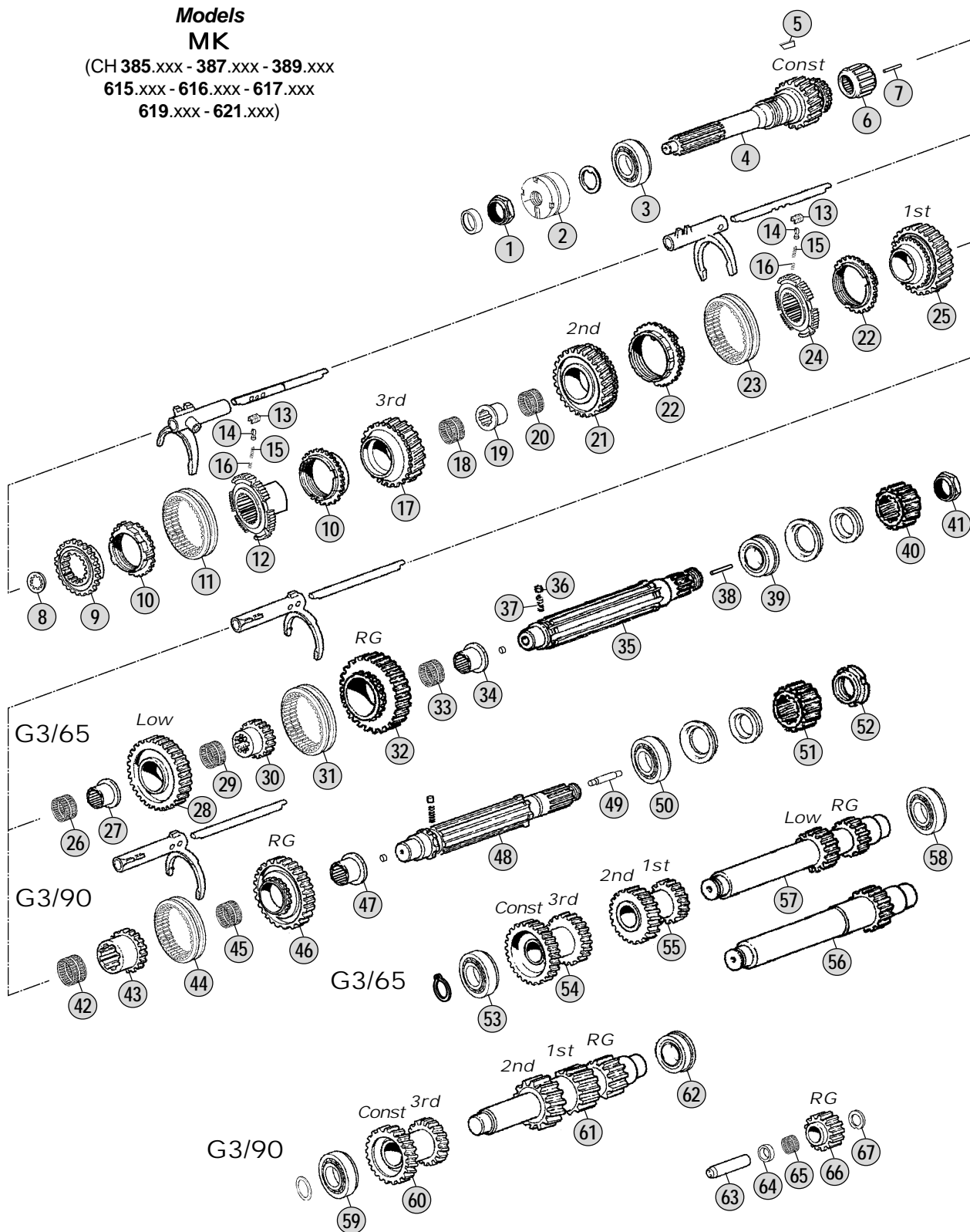
**Table****0020**8 Speeds  
G3/65 - G3/90

Adattabile a : **MERCEDES**  
 Suitable To :

Modelli Cambio/ Gearbox Models  
**G3/65 - G3/90 (8 Speeds)**

**Models  
 MK**

(CH 385.xxx - 387.xxx - 389.xxx  
 615.xxx - 616.xxx - 617.xxx  
 619.xxx - 621.xxx)



**Models**

G3/65 - 8/9,29 **714.200-201-202-207-213-230-234-235-239-305-306-333**

G3/90 - 8/9,29 **714.300-301-302-303-305-306-330-331-332-333-334**

Fig.	no.	Rif. MB	Description	Q.ty	Note	G3/65	G3/90			
24		381 262 0135	Synchronizer Hub	1		●	●			
25		385 262 0011	Gear 1st Speed 34 T	1		●				
25		385 262 0611	Gear 1st Speed 34 T	1			●			
26		001 981 4612	Needle Cage	1		●				
27		385 262 1450	Bushing H=50,50 mm	1		●				
28		385 262 0111	Low Gear 36 T	1		●				
29		001 981 3412	Needle Cage	1		●				
30		385 262 0036	Synchronizer Hub	1	(6)	●				
30		385 262 0536	Synchronizer Hub	1	(7)	●				
31		385 262 1523	Sliding Sleeve	1		●				
32		385 263 0533	Reverse Gear 30 T	1	(6)	●				
32		385 263 0133	Reverse Gear 23 T	1	(7)	●				
33		001 981 4812	Needle Cage	1		●				
34		385 262 1250	Bush H=34,50 mm	1		●				
35		385 262 0105	Main Shaft	1	(A)	●				
35		385 262 0505	Main Shaft 21 T	1	(B)	●				
36		385 262 1074	Pin	1		●				
37		312 993 1701	Spring	1		●				
38		308750 012000	Oil Plug	1		●				
39		008 981 9501	Bearing	1		●				
40		385 262 0109	Sun Gear 29 T	1		●				
41		385 262 0026	Nut	1		●				
42		001 981 4812	Needle Cage	1			●			
43		385 262 0636	Bush	1			●			
44		385 262 0623	Sliding Sleeve	1			●			
45		001 981 3412	Needle Cage	1			●			
46		385 263 0333	Reverse Gear 32 T	1			●			
47		385 262 2450	Bush H=39,10 mm	1			●			
48		385 262 0405	Main Shaft	1			●			
49		308750 012000	Oil Plug	1			●			
50		008 981 9501	Bearing	1			●			
51		385 262 0109	Sun Gear 29 T	1			●			
52		385 262 0026	Nut	1			●			
53		001 981 3105	Bearing 40x90x26	1		●				
54		385 263 0110	Double Gear 4th/5th Speed 19/33 T	1		●				
55		385 263 0113	Double Gear 2nd/3rd Speed 19/25 T	1		●				
56		385 263 1702	Countershaft 13/14/17 T	1	(6)	●				
57		385 263 0902	Countershaft 16/17 T	1	(7)	●				
58		001 981 8905	Bearing	1		●				
59		001 981 3105	Bearing 40x90x26	1			●			
60		385 263 0810	Double Gear 33/29 T	1			●			
61		385 263 1602	Countershaft	1			●			
62		001 981 3105	Bearing 40x90x26	1			●			
63		385 263 0130	Pin	1		●				
64		385 263 0353	Spacer	1			●			

**Notes**

(A-B) To be coupled together

(1) For Series 714.200-202-234-239

(2) For Series 714.201-207-213-230-235

(3) Excludes Series 714.305-306-333

(4) For Series 714.305-333

(5) For Series 714.306

(6) All Series Except 714.200-201-202-206-207-213-234-235

(7) Only for the Series 714.200-20-202-206-207-213-234-235

**Date**

04 / 2011

**Table****0020**8 Speeds  
G3/65 - G3/90

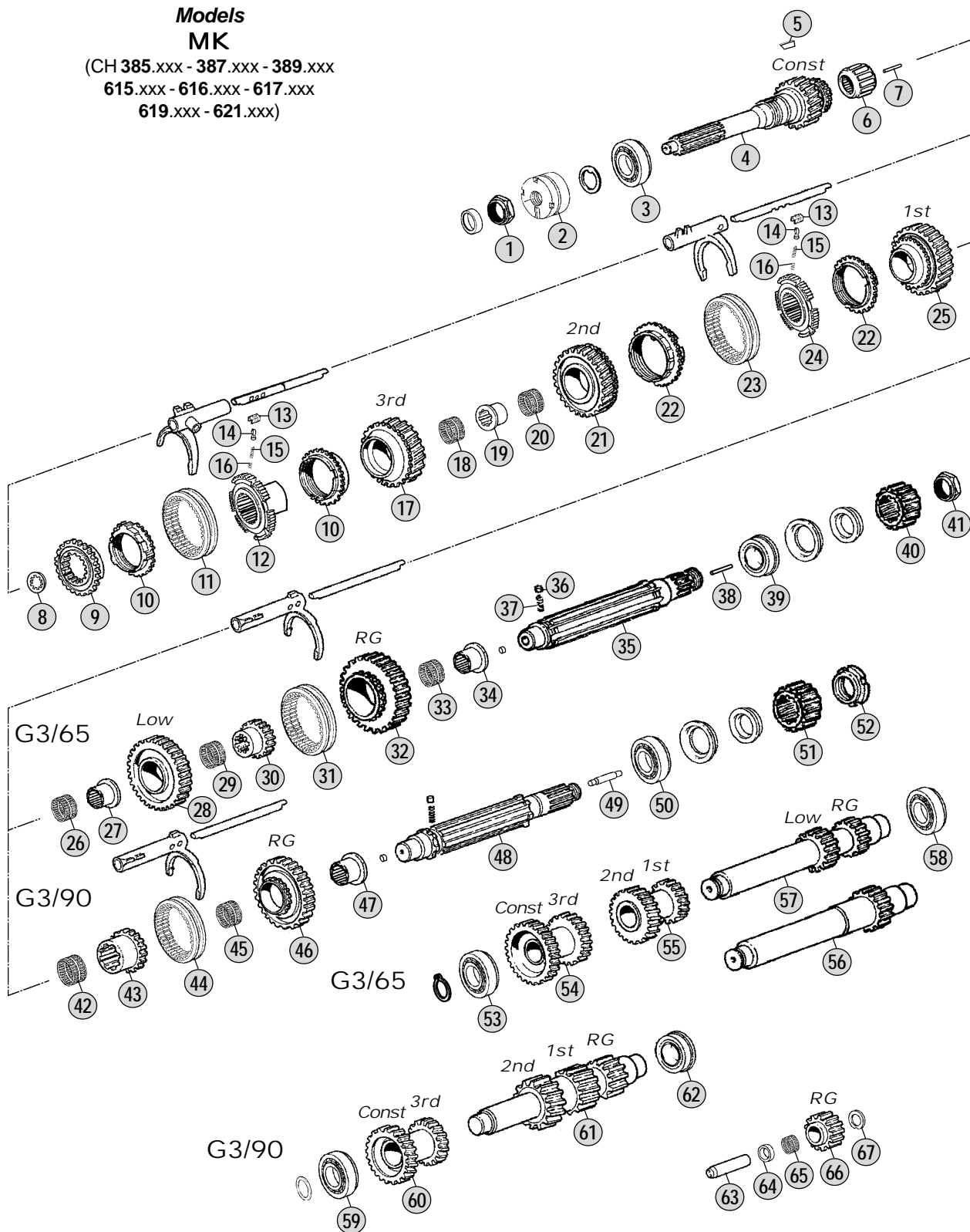


Adattabile a : **MERCEDES**  
 Suitable To :

Modelli Cambio/ Gearbox Models  
**G3/65 - G3/90 (8 Speeds)**

**Models  
 MK**

(CH 385.xxx - 387.xxx - 389.xxx  
 615.xxx - 616.xxx - 617.xxx  
 619.xxx - 621.xxx)



**Models**

G3/65 - 8/9,29 714.200-201-202-207-213-230-234-235-239-305-306-333

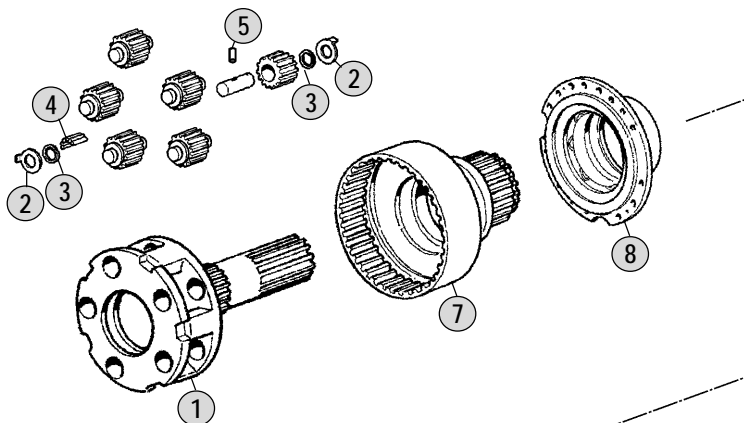
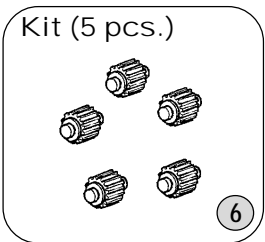
G3/90 - 8/9,29 714.300-301-302-303-305-306-330-331-332-333-334



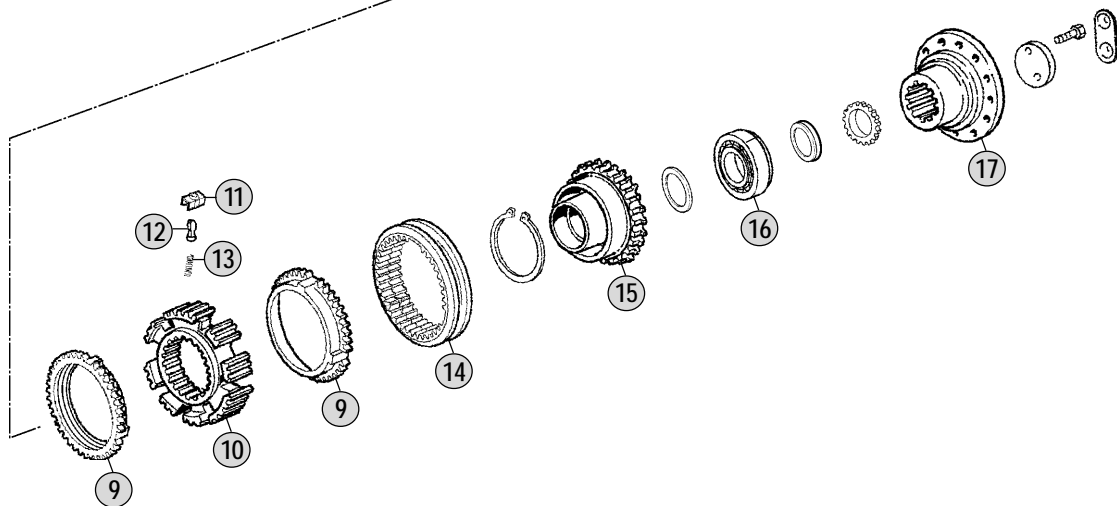


Adattabile a : **MERCEDES**  
Suitable To :

Modelli Cambio/ Gearbox Models  
**G3/65 - G3/90 (8 Speeds)**



**Models**  
**MK**  
(CH 385.xxx - 387.xxx - 389.xxx  
615.xxx - 616.xxx - 617.xxx  
619.xxx - 621.xxx)



**Models**

G3/65 - 8/9,29 **714.200-201-202-207-213-230-234-235-239-305-306-333**

G3/90 - 8/9,29 **714.300-301-302-303-305-306-330-331-332-333-334**



Adattabile a : **MERCEDES**  
 Suitable To :

**GO4/95 - GO4/110 (5 Speeds)**

**Models**

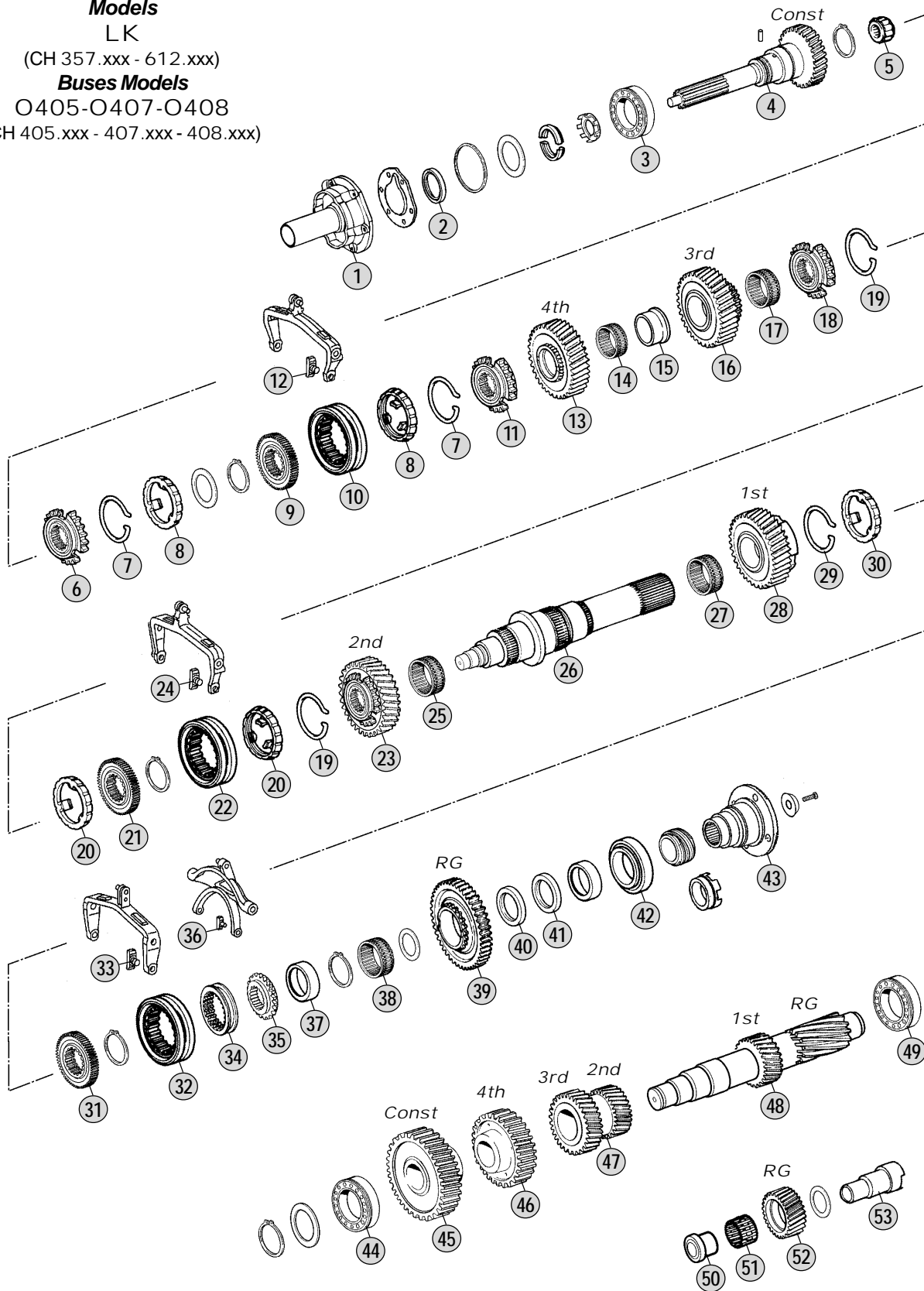
LK

(CH 357.xxx - 612.xxx)

**Buses Models**

O405-O407-O408

(CH 405.xxx - 407.xxx - 408.xxx)



**Models**

GO4/95-5/5,1      **714.604**

GO4/110-5/5,1    **714.624**

Fig.	no.	Rif. MB	Description	Q.ty	Note	GO4/95-5/5,1	GO4/110-5/5,1			
1		387 261 0918	Front Cover	1	Up to Gearbox 000516	●	●			
1		387 261 2218	Front Cover	1	From Gearbox 000517	●	●			
2		007 997 9647	Seal Ring	1	Up to Gearbox 000516	●	●			
2		015 997 0347	Seal Ring Th.8(64x45) mm	1	From Gearbox 000517	●	●			
3		008 981 5201	Bearing 65x140x33	1		●	●			
4		387 262 4202	Input Shaft	1		●				
4		387 262 4402	Input Shaft	1			●			
5		002 981 1312	Needle Cage 40x60x28	1		●	●			
6		387 262 5034	Synchronizer Cone	1		●	●			
7		387 262 1093	Elastic Ring	2		●	●			
8		389 262 0637	Synchronizer Ring	2		●	●			
8		389 262 3137	Synchronizer Ring	2	LONG LIFE	●	●			
9		387 262 2135	Synchronizer Hub	1		●	●			
10		387 262 1523	Sliding Sleeve	1		●	●			
10		M387 262 1523	Sliding Sleeve	1	LONG LIFE	●	●			
11		389 262 5634	Synchronizer Cone	1		●	●			
12		389 265 2349	Slide Fork	2	BRASS	●	●			
12		M389 265 2349	Slide Fork	2	IRON	●	●			
13		387 262 2015	Gear 4th Speed 22 T	1		●				
13		387 262 2315	Gear 4th Speed 22 T	1			●			
14		009 981 1410	Needle Cage 75x83x48	1		●				
14		008 981 8310	Needle Cage 75x83x55W	1			●			
15		387 262 0550	Bush H=54,00 mm	1		●				
15		387 262 0150	Bush H=61,00 mm	1			●			
16		387 262 3514	Gear 3rd Speed 24 T	1		●				
16		387 262 3814	Gear 3rd Speed 24 T	1			●			
17		009 981 1510	Needle Cage K78x86x35ZW	1		●				
17		008 981 9910	Needle Cage 78x86x40	1			●			
18		387 262 4534	Synchronizer Cone	1	(A)	●	●			
18		387 262 4834	Synchronizer Cone	1	(B)	●	●			
19		387 262 1093	Elastic Ring	2		●	●			
20		389 262 0637	Synchronizer Ring	2		●	●			
20		389 262 3137	Synchronizer Ring	2	LONG LIFE	●	●			
21		387 262 2035	Synchronizer Hub	1		●	●			
22		387 262 1523	Sliding Sleeve	1	(A)	●	●			
22		M387 262 1523	Sliding Sleeve	1	(A) LONG LIFE	●	●			
22		387 262 1423	Sliding Sleeve	1	(B)	●	●			
22		M387 262 1423	Sliding Sleeve	1	(B) LONG LIFE	●	●			
23		387 262 1813	Gear 2nd Speed 30 T	1	(A)	●				
23		387 262 4413	Gear 2nd Speed 30 T	1	(B)	●				
23		387 262 0813	Gear 3rd Speed 30 T	1	(A)		●			
23		387 262 5313	Gear 2nd Speed 30 T	1	(B)		●			
24		389 265 2349	Slide Fork	2	BRASS	●	●			
24		M389 265 2349	Slide Fork	1	IRON	●	●			
25		009 981 1710	Needle Cage 93x99x44	1		●				

## Notes

- (A) GO4/95 Up to gearbox 348399 GO4/110 Up to gearbox 355346  
 (B) GO4/95 From gearbox 348400 GO4/110 From gearbox 355347  
 (C) GO4/95 Up to gearbox 124518  
 (D) GO4/95 From gearbox 124519

## Date

04/ 2011

## Table

0030

5 Speeds  
GO4/95 - GO4/110

Adattabile a : **MERCEDES**  
Suitable To :

**GO4/95 - GO4/110 (5 Speeds)**

**Models**

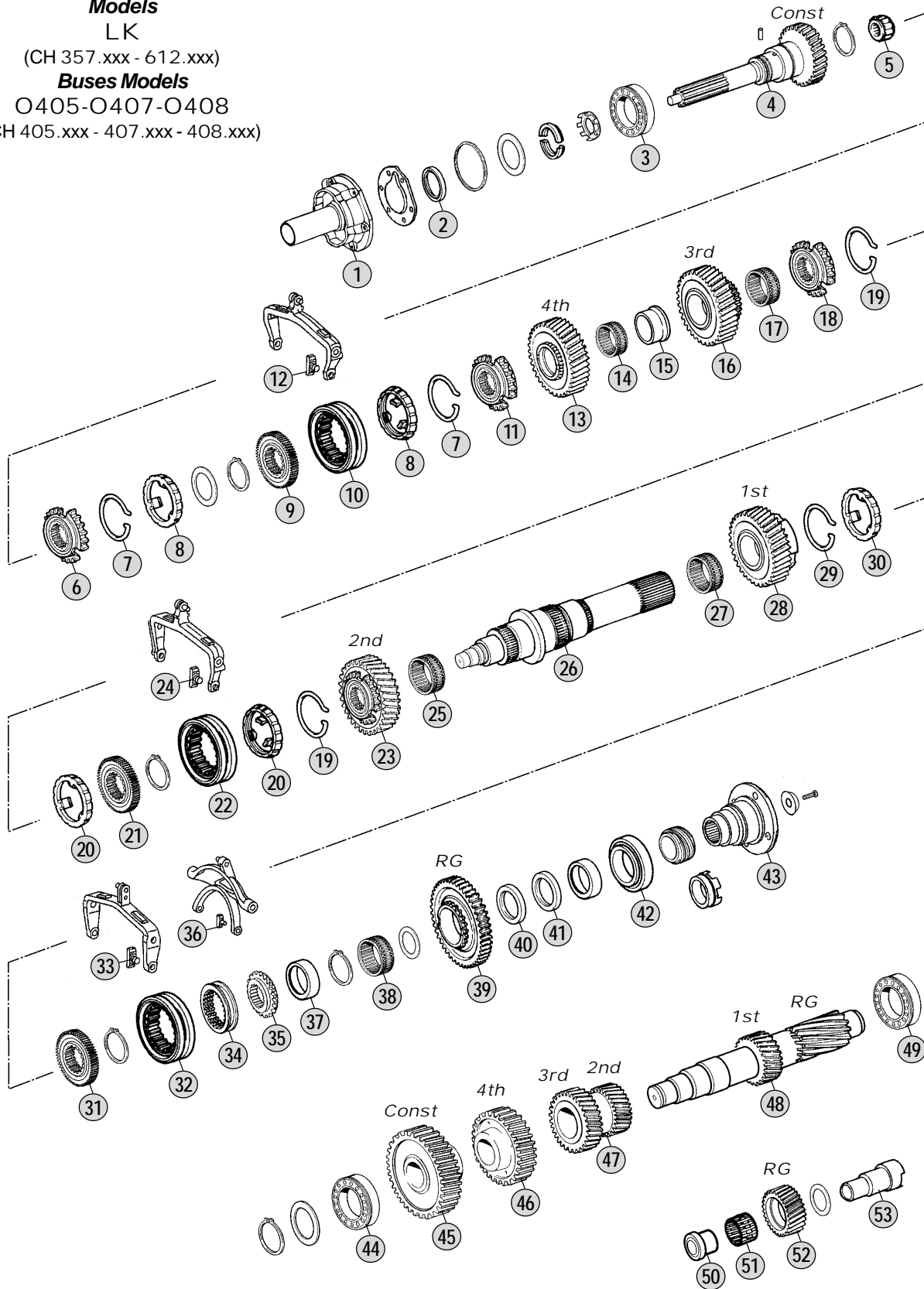
LK

(CH 357.xxx - 612.xxx)

**Buses Models**

O405-O407-O408

(CH 405.xxx - 407.xxx - 408.xxx)



**Models**

GO4/95-5/5,1    **714.604**

GO4/110-5/5,1    **714.624**

Fig.	no.	Rif. MB	Description	Q.ty	Note	GO4/95-5/5,1	GO4/110-5/5,1			
25		007 981 5510	Needle Cage 92x100x49,5	1			●			
26		387 262 2105	Main Shaft	1	(C)	●				
26		387 262 2405	Main Shaft	1	(D)	●				
26		387 262 2005	Main Shaft	1			●			
27		009 981 1810	Needle Cage 102x100x44	1		●				
27		008 981 9710	Needle Cage 102,5x109,5x49	1			●			
28		387 262 0812	Gear 1st Speed 38 T	1	(A)	●				
28		387 262 3412	Gear 1st Speed 38 T	1	(B)	●				
28		387 262 0212	Gear 2nd Speed 38 T	1	(A)		●			
28		387 262 3212	Gear 2nd Speed 38 T	1	(B)		●			
29		387 262 0893	Elastic Ring	1		●	●			
30		389 262 0737	Synchronizer Ring	1		●	●			
30		389 262 3237	Synchronizer Ring	1	LONG LIFE	●	●			
31		387 262 2735	Synchronizer Hub	1	(A)	●	●			
31		387 262 3335	Synchronizer Hub	1	(B)	●	●			
32		387 262 0623	Sliding Sleeve	1	(A)	●	●			
32		M387 262 0623	Sliding Sleeve	1	(A) LONG LIFE	●	●			
32		387 262 1323	Sliding Sleeve	1	(B)	●	●			
32		M387 262 1323	Sliding Sleeve	1	(B) LONG LIFE	●	●			
33		389 265 2349	Slide Fork	2	BRASS	●	●			
33		M389 265 2349	Slide Fork	1	IRON	●	●			
34		387 262 0023	Sliding Sleeve	1		●	●			
35		387 262 0036	Synchronizer Hub	1	(C)	●				
35		387 262 0436	Synchronizer Hub	1	(D)	●				
35		387 262 0036	Synchronizer Hub	1			●			
36		945 265 0149	Slide Fork	2		●	●			
37		387 262 1550	Bush	1	(C)	●				
37		387 262 1450	Bush	1			●			
38		009 981 1610	Needle Cage K85x93x37ZW	1	(C)	●				
38		021 981 5710	Needle Cage 75x83x33W	1	(D)	●				
38		021 981 9410	Needle Cage 85x93x45W	1			●			
39		387 262 0233	Reverse Gear 47 T	1	(C)	●				
39		387 262 1033	Reverse Gear 47 T	1	(D)	●				
39		387 262 0033	Reverse Gear 47 T	1			●			
40		020 997 9947	Oil Seal 80x110x10	1		●	●			
41		023 997 8547	Oil Seal 80x100x12	1		●	●			
42		008 981 5301	Bearing 65x140x39,5	1		●	●			
43		387 262 0145	Output Flange D.150	1		●	●			
44		009 981 3105	Bearing 60x100x35,5	1		●	●			
45		387 263 1510	Constant Gear 43 T	1		●				
45		387 263 1810	Constant Gear 43 T	1			●			
46		387 263 0215	Gear 5th Speed 34 T	1		●				
46		387 263 0015	Gear 4th Speed 34 T	1			●			
47		387 263 0613	Double Gear 3nd/4th Sp.-25/21 T	1		●				
47		387 263 1313	Double Gear 3nd/4th Sp.-25/21 T	1			●			

**Notes**

(A) GO4/95	Up to gearbox 348399	GO4/110	Up to gearbox 355346
(B) GO4/95	From gearbox 348400	GO4/110	From gearbox 355347
(C) GO4/95	Up to gearbox 124518		
(D) GO4/95	From gearbox 124519		

**Date**

04 / 2011

**Table****0030**



Adattabile a : **MERCEDES**  
 Suitable To :

**GO4/95 - GO4/110 (5 Speeds)**

**Models**

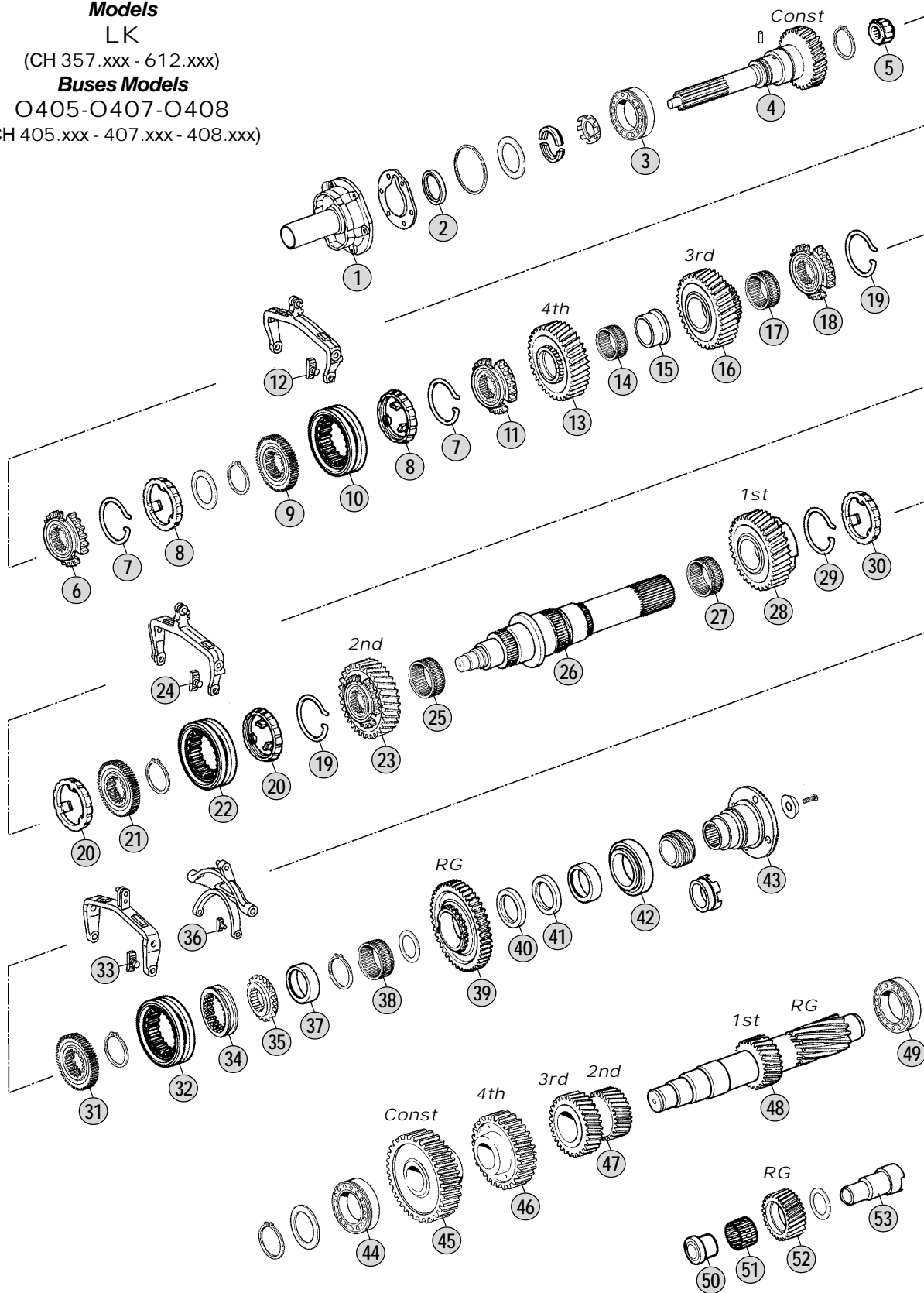
LK

(CH 357.xxx - 612.xxx)

**Buses Models**

O405-O407-O408

(CH 405.xxx - 407.xxx - 408.xxx)



**Models**

GO4/95-5/5,1     **714.604**

GO4/110-5/5,1     **714.624**





Adattabile a : **MERCEDES** G4/65 - 95 - 105 - 110(6 Speeds)  
 Suitable To :

G4/65 - G4/95 - G4/110  
 6 Speeds

**Models**

MK - SK - LK

(CH 615.xxx - 616.xxx - 617.xxx

619.xxx - 621.xxx - 624.xxx

650.xxx - 651.xxx - 652.xxx

653.xxx - 654.xxx - 656.xxx

676.xxx - 677.xxx - 679.xxx)

GO4/105

6 Speeds

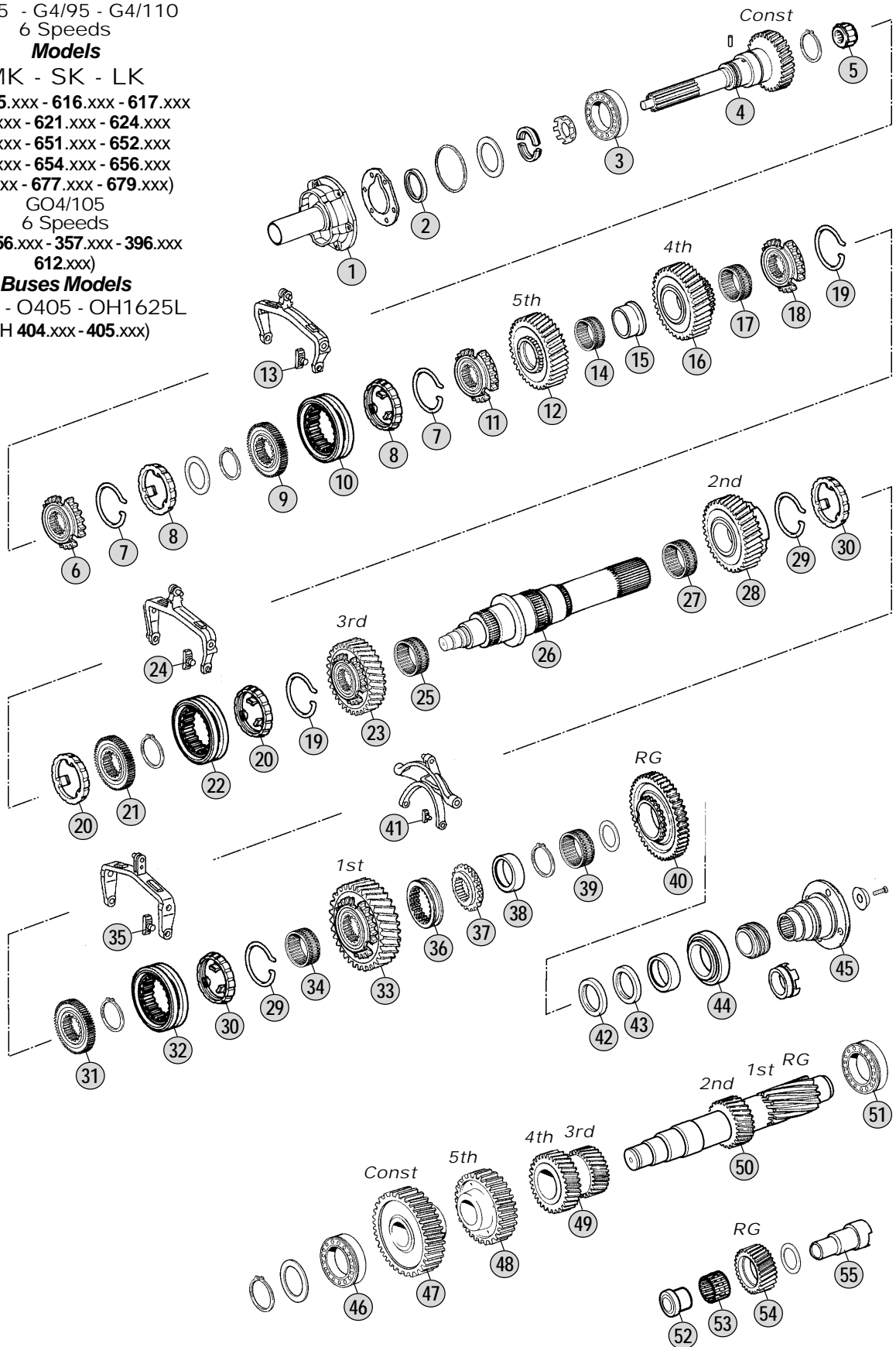
(CH 356.xxx - 357.xxx - 396.xxx

612.xxx)

**Buses Models**

O404 - O405 - OH1625L

(CH 404.xxx - 405.xxx)



**Models**

G4/65-6/9,0 714.400-401-402-403-404-430-431-432-433-434-435-436-437-438-439-440-441-442

G4/95-6/9,0 714.600-601-610-614-615-616-617-618 715.100-101-102-103-111-113

GO4/105-6/7,18 714.602-606

G4/110-6/9,0 714.620-621-626-630-631-664-670-674

Fig.	no.	Rif. MB	Description	Q.ty	Note				
						G4/65-6/9,0	G4/95-6/9,0	GO4/105-6/7,18	G4/110-6/9,0
1		387 261 2418	Front Cover	1	(A) Excl.714.402-432-437	●			
1		387 261 2518	Front Cover	1	(A) Only 714.402-432-437	●			
1		387 261 2018	Front Cover	1	(B) Excl.714.402-432-437	●			
1		387 261 2718	Front Cover	1	(B) Only 714.402-432-437	●			
1		387 261 2218	Front Cover	1	Excl.715.100/1/2/3-111-113		●		
1		389 261 0018	Front Cover	1	Only 715.100-101-111-113		●		
1		387 261 2918	Front Cover	1	Only 715.102-103		●		
1		387 261 2218	Front Cover	1				●	
1		387 261 2218	Front Cover	1	Excl.714.626-670-674				●
1		389 261 0018	Front Cover	1	Only 714.626-670-674				●
2		007 997 9647	Seal Ring	1	Old Type	●	●	●	●
2		015 997 0347	Seal Ring Th.8(64x45) mm	1	New Type	●	●	●	●
2		024 997 3047	Seal Ring 52x68x8 mm	1	Only 715.100/1/2/3-111-113		●		
2		024 997 3047	Seal Ring 52x68x8 mm	1	Only 714.626-670-674				●
3		008 981 9501	Bearing	1	(A)	●			
3		007 981 2001	Bearing 60x110x22	1	(B)	●			
3		008 981 5201	Bearing 65x140x33	1			●	●	●
4		387 262 6002	Input Shaft 20 T	1	Excl.714.402/3/4-432/7-440/1	●			
4		387 262 7602	Input Shaft	1	Only 714.403-404-440-441	●			
4		387 262 4002	Input Shaft 20 T	1	Only 714.402-432-437	●			
4		387 262 4202	Input Shaft	1	Excl.715.100/1/2/3-111-113		●		
4		387 262 7202	Input Shaft	1	Only 715.100-101-111-113		●		
4		387 262 6402	Input Shaft	1	Only 715.102-103		●		
4		387 262 4302	Input Shaft 25 T	1				●	
4		387 262 4402	Input Shaft	1	Excl.714.626-670-674				●
4		387 262 6702	Input Shaft	1	Only 714.626-670-674				●
5		002 981 1412	Needle Bearing	1		●			
5		002 981 1312	Needle Cage 40x60x28	1			●	●	●
6		387 262 5034	Synchronizer Cone	1		●	●		●
6		387 262 5134	Synchronizer Cone	1				●	
7		387 262 1093	Elastic Ring	2		●	●	●	●
8		389 262 0637	Synchronizer Ring	2		●	●	●	●
8		389 262 3137	Synchronizer Ring	2	LONG LIFE	●	●	●	●
9		387 262 0935	Synchronizer Hub	1		●			
9		387 262 2135	Synchronizer Hub	1			●	●	●
10		387 262 1523	Sliding Sleeve	1		●	●	●	●
10		M387 262 1523	Sliding Sleeve	1	LONG LIFE	●	●	●	●
11		387 262 4934	Synchronizer Cone	1		●			
11		389 262 5634	Synchronizer Cone	1			●	●	●
12		387 262 0115	Gear 5th Speed 22 T	1		●			
12		387 262 2015	Gear 4th Speed 22 T	1			●		
12		387 262 2215	Gear 5th Speed 27 T	1				●	
12		387 262 2315	Gear 4th Speed 22 T	1					●
13		389 265 2349	Slide Fork	2	BRASS	●	●	●	●
13		M389 265 2349	Slide Fork	1	IRON	●	●		

## Notes

(A) G4/65 Up to gearbox 157730

(C) G4/65 Up to gearbox 345971

(E) G4/95 - GO4/105 Up to gearbox 348399

(F) G4/95 - GO4/105 From gearbox 348400

(G) G4/95 - GO4/105 Up to gearbox 124518

(B) G4/65 From gearbox 157731

(D) G4/65 From gearbox 345972

G4/110 Up to gearbox 355346

G4/110 From gearbox 355347

(H) G4/95 - GO4/105 From gearbox 124519

## Date

04 / 2011

## Table

0040

Adattabile a : **MERCEDES** G4/65 - 95 - 105 - 110(6 Speeds)  
 Suitable To :

G4/65 - G4/95 - G4/110  
 6 Speeds

**Models**

MK - SK - LK

(CH 615.xxx - 616.xxx - 617.xxx

619.xxx - 621.xxx - 624.xxx

650.xxx - 651.xxx - 652.xxx

653.xxx - 654.xxx - 656.xxx

676.xxx - 677.xxx - 679.xxx)

GO4/105

6 Speeds

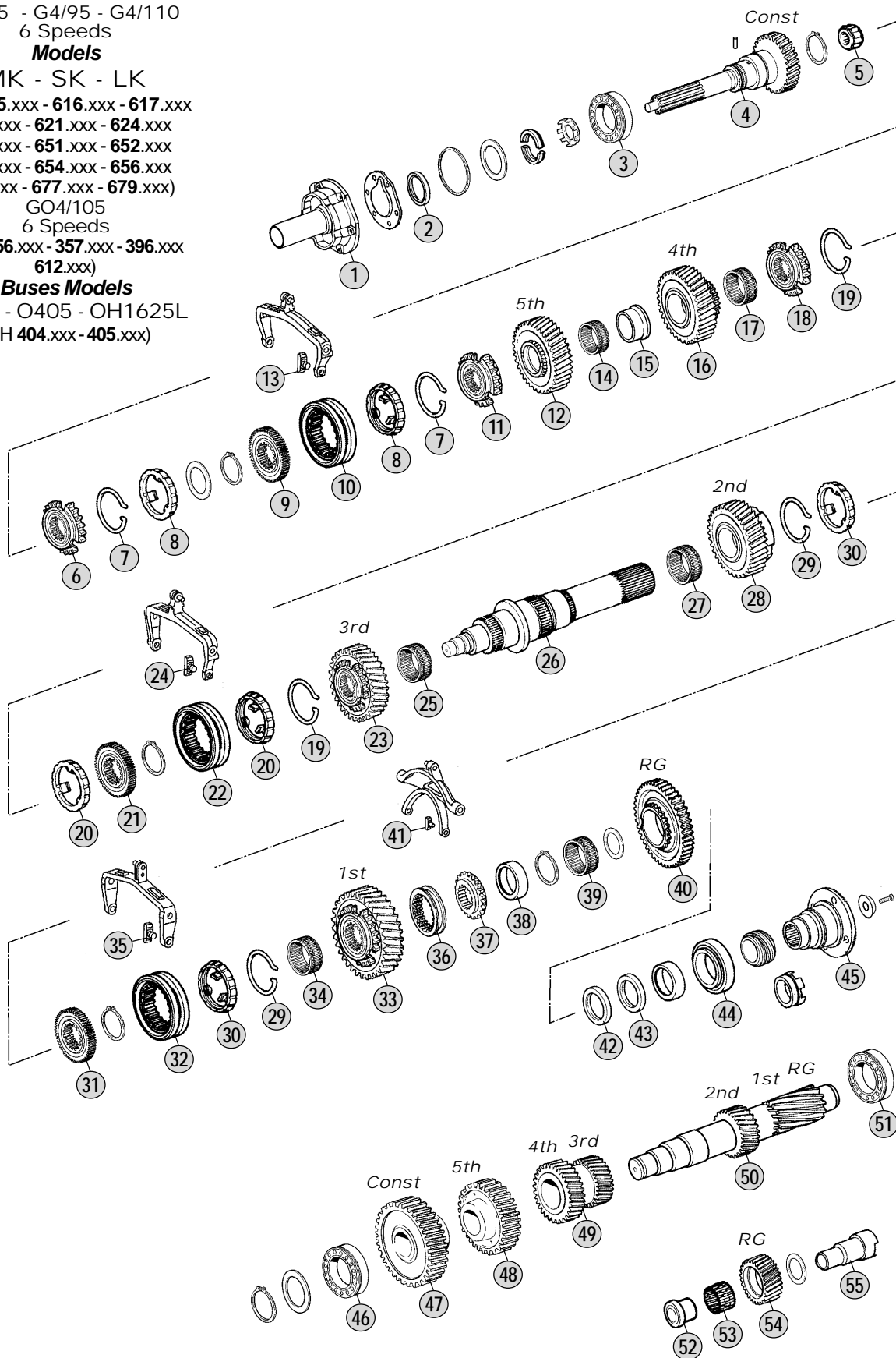
(CH 356.xxx - 357.xxx - 396.xxx

612.xxx)

**Buses Models**

O404 - O405 - OH1625L

(CH 404.xxx - 405.xxx)



**Models**

G4/65-6/9,0 714.400-401-402-403-404-430-431-432-433-434-435-436-437-438-439-440-441-442

G4/95-6/9,0 714.600-601-610-614-615-616-617-618 715.100-101-102-103-111-113

GO4/105-6/7,18 714.602-606

G4/110-6/9,0 714.620-621-626-630-631-664-670-674

Fig. no.	Rif. MB	Description	Q.ty	Note				
					G4/65-6/9,0	G4/95-6/9,0	GO4/105-6/7,18	G4/110-6/9,0
14	007 981 2810	Needle Cage	1		●			
14	009 981 1410	Needle Cage 75x83x48	1			●	●	
14	008 981 8310	Needle Cage 75x83x55W	1					●
15	387 262 0350	Bush	1		●			
15	387 262 0550	Bush H=54,00 mm	1			●	●	
15	387 262 0150	Bush H=61,00 mm	1					●
16	387 262 3414	Gear 4th Speed 24 T	1		●			
16	387 262 3514	Gear 3rd Speed 24 T	1			●		
16	387 262 3714	Gear 4th Speed 30 T	1				●	
16	387 262 3814	Gear 3rd Speed 24 T	1					●
17	009 981 0210	Needle Cage	1		●			
17	009 981 1510	Needle Cage K78x86x35ZW	1			●	●	
17	008 981 9910	Needle Cage 78x86x40	1					●
18	389 262 5634	Synchronizer Cone	1	(C)	●			
18	389 262 5934	Synchronizer Cone	1	(D)	●			
18	387 262 4534	Synchronizer Cone	1	(E)		●	●	●
18	387 262 4834	Synchronizer Cone	1	(F)		●	●	●
19	387 262 1093	Elastic Ring	2		●	●	●	●
20	389 262 0637	Synchronizer Ring	2		●	●	●	●
20	389 262 3137	Synchronizer Ring	2	LONG LIFE	●	●	●	●
21	387 262 0835	Synchronizer Hub	1		●			
21	387 262 2035	Synchronizer Hub	1			●	●	●
22	387 262 1523	Sliding Sleeve	1	(CE)	●	●	●	●
22	M387 262 1523	Sliding Sleeve	1	(CE) LONG LIFE	●	●	●	●
22	387 262 1423	Sliding Sleeve	1	(DF)	●	●	●	●
22	M387 262 1423	Sliding Sleeve	1	(DF) LONG LIFE	●	●	●	●
23	387 262 1613	Gear 3rd Speed 30 T	1	(C)	●			
23	387 262 4313	Gear 3rd Speed 30 T	1	(D)	●			
23	387 262 1813	Gear 2nd Speed 30 T	1	(E)		●		
23	387 262 4413	Gear 2nd Speed 30 T	1	(F)		●		
23	387 262 3813	Gear 3rd Speed 35 T	1	(E)			●	
23	387 262 4913	Gear 3rd Speed 35 T	1	(F)			●	
23	387 262 0813	Gear 3rd Speed 30 T	1	(E)				●
23	387 262 5313	Gear 2nd Speed 30 T	1	(F)				●
24	389 265 2349	Slide Fork	2	BRASS	●	●	●	●
24	M389 265 2349	Slide Fork	2	IRON	●	●	●	●
25	010 981 1210	Needle Cage 75,5x82,5x39,5	1		●			
25	009 981 1710	Needle Cage 93x99x44	1			●	●	
25	007 981 5510	Needle Cage 92x100x49,5	1					●
26	387 262 1705	Main Shaft	1		●			
26	387 262 2105	Main Shaft	1	(G)		●	●	
26	387 262 2405	Main Shaft	1	(H)		●	●	
26	387 262 2005	Main Shaft	1					●
27	010 981 1210	Needle Cage 75,5x82,5x39,5	1		●			
27	009 981 1810	Needle Cage 102x100x44	1			●	●	

## Notes

(A) G4/65 Up to gearbox 157730

(C) G4/65 Up to gearbox 345971

(E) G4/95 - GO4/105 Up to gearbox 348399

(F) G4/95 - GO4/105 From gearbox 348400

(G) G4/95 - GO4/105 Up to gearbox 124518

(B) G4/65 From gearbox 157731

(D) G4/65 From gearbox 345972

G4/110 Up to gearbox 355346

G4/110 From gearbox 355347

(H) G4/95 - GO4/105 From gearbox 124519

## Date

04 / 2011

## Table

0040

Adattabile a : **MERCEDES** G4/65 - 95 - 105 - 110(6 Speeds)  
 Suitable To :

G4/65 - G4/95 - G4/110  
 6 Speeds

**Models**

MK - SK - LK

(CH 615.xxx - 616.xxx - 617.xxx

619.xxx - 621.xxx - 624.xxx

650.xxx - 651.xxx - 652.xxx

653.xxx - 654.xxx - 656.xxx

676.xxx - 677.xxx - 679.xxx)

GO4/105

6 Speeds

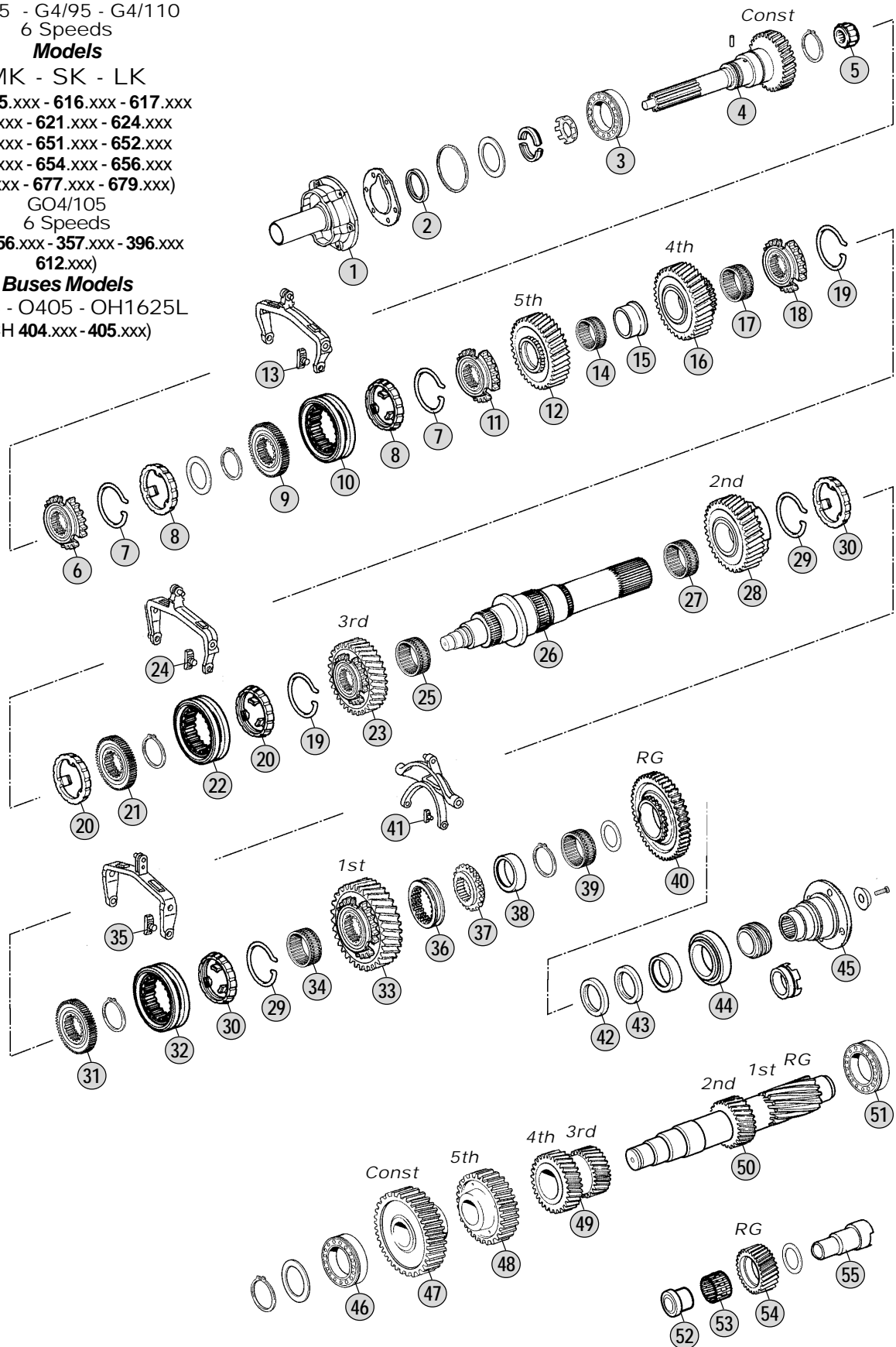
(CH 356.xxx - 357.xxx - 396.xxx

612.xxx)

**Buses Models**

O404 - O405 - OH1625L

(CH 404.xxx - 405.xxx)

**Models**

G4/65-6/9,0 714.400-401-402-403-404-430-431-432-433-434-435-436-437-438-439-440-441-442

G4/95-6/9,0 714.600-601-610-614-615-616-617-618 715.100-101-102-103-111-113

GO4/105-6/7,18 714.602-606

G4/110-6/9,0 714.620-621-626-630-631-664-670-674



Fig.	no.	Rif. MB	Description	Q.ty	Note				
						G4/65-6/9,0	G4/95-6/9,0	GO4/105-6/7,18	G4/110-6/9,0
27		008 981 9710	Needle Cage 102,5x109,5x49	1					●
28		387 262 0412	Gear 2nd Speed 38 T	1	(C)	●			
28		387 262 3312	Gear 2nd Speed 38 T	1	(D)	●			
28		387 262 0812	Gear 1st Speed 38 T	1	(E)		●		
28		387 262 3412	Gear 1st Speed 38 T	1	(F)		●		
28		387 262 2712	Gear 2nd Speed 42 T	1	(E)			●	
28		387 262 3912	Gear 2nd Speed 42 T	1	(F)			●	
28		387 262 0212	Gear 2nd Speed 38 T	1	(E)				●
28		387 262 3212	Gear 2nd Speed 38 T	1	(F)				●
29		387 262 0893	Elastic Ring	2		●	●	●	●
30		389 262 0737	Synchronizer Ring	2		●	●	●	●
30		389 262 3237	Synchronizer Ring	2	LONG LIFE	●	●	●	●
31		387 262 0735	Synchronizer Hub	1	(C)	●			
31		387 262 3535	Synchronizer Hub	1	(D)	●			
31		387 262 0435	Synchronizer Hub	1	(E)		●	●	●
31		387 262 3435	Synchronizer Hub	1	(F)		●	●	●
32		387 262 0623	Sliding Sleeve	1	(CE)	●	●	●	●
32		M387 262 0623	Sliding Sleeve	1	(CE) LONG LIFE	●	●	●	●
32		387 262 1323	Sliding Sleeve	1	(DF)	●	●	●	●
32		M387 262 1323	Sliding Sleeve	1	(DF) LONG LIFE	●	●	●	●
33		387 262 0411	Gear 1st Speed 50 T	1	(C)	●			
33		387 262 3011	Gear 1st Speed 50 T	1	(D)	●			
33		387 262 0911	Gear 1st Speed 50 T	1	(E)		●		
33		387 262 2611	Gear 1st Speed 50 T	1	(F)		●		
33		387 262 2011	Gear 1st Speed 49 T	1	(E)			●	
33		387 262 2911	Gear 1st Speed 49 T	1	(F)			●	
33		387 262 0211	Gear 1st Speed 50 T	1	(E)				●
33		387 262 2511	Gear 1st Speed 50 T	1	(F)				●
34		009 981 0110	Needle Cage 65x71x34,5	1		●			
34		009 981 1610	Needle Cage K85x93x37ZW	1			●	●	
34		021 981 9410	Needle Cage 85x93x45W	1					●
35		389 265 2349	Slide Fork	2	BRASS	●	●	●	●
35		M389 265 2349	Slide Fork	2	IRON	●	●	●	●
36		387 262 0023	Sliding Sleeve	1		●	●	●	●
37		387 262 0335	Synchronizer Hub	1		●			
37		387 262 0036	Synchronizer Hub	1	(G)		●	●	
37		387 262 0436	Synchronizer Hub	1	(H)		●	●	
37		387 262 0036	Synchronizer Hub	1					●
38		387 262 0850	Bush	1		●			
38		387 262 1550	Bush	1	(G)		●	●	
38		387 262 1450	Bush	1					●
39		010 981 1710	Needle Cage 66,5x73,5x29,5	1		●			
39		009 981 1610	Needle Cage K85x93x37ZW	1	(G)		●	●	
39		021 981 5710	Needle Cage 75x83x33W	1	(H)		●	●	
39		021 981 9410	Needle Cage 85x93x45W	1					●

## Notes

(A) G4/65 Up to gearbox 157730

(C) G4/65 Up to gearbox 345971

(E) G4/95 - GO4/105 Up to gearbox 348399

(F) G4/95 - GO4/105 From gearbox 348400

(G) G4/95 - GO4/105 Up to gearbox 124518

(B) G4/65 From gearbox 157731

(D) G4/65 From gearbox 345972

G4/110 Up to gearbox 355346

G4/110 From gearbox 355347

(H) G4/95 - GO4/105 From gearbox 124519

## Date

04 / 2011

## Table

0040

Adattabile a : **MERCEDES** G4/65 - 95 - 105 - 110(6 Speeds)  
 Suitable To :

G4/65 - G4/95 - G4/110  
 6 Speeds  
**Models**

MK - SK - LK

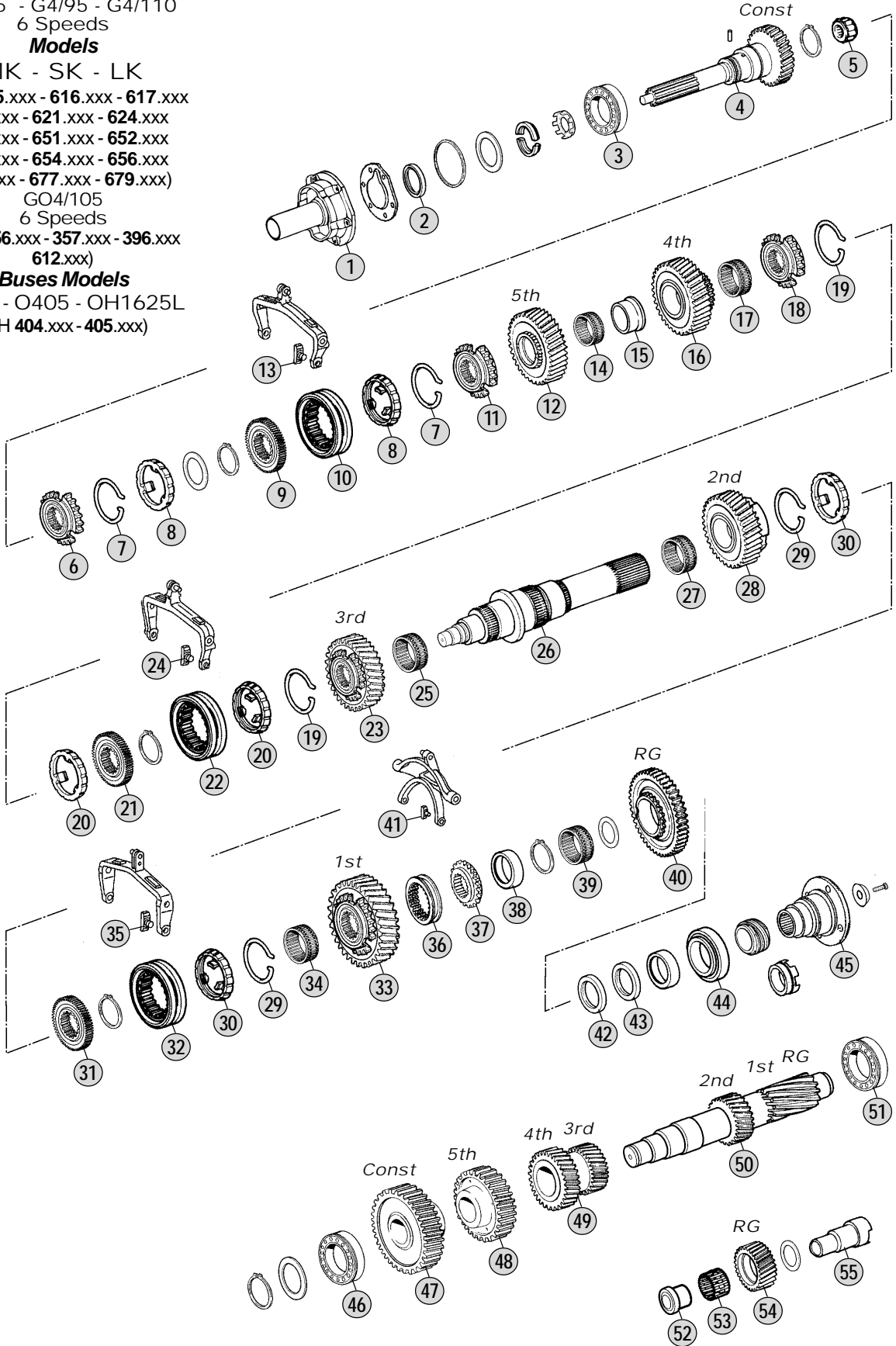
(CH 615.xxx - 616.xxx - 617.xxx  
 619.xxx - 621.xxx - 624.xxx  
 650.xxx - 651.xxx - 652.xxx  
 653.xxx - 654.xxx - 656.xxx  
 676.xxx - 677.xxx - 679.xxx)

GO4/105  
 6 Speeds

(CH 356.xxx - 357.xxx - 396.xxx  
 612.xxx)

**Buses Models**

O404 - O405 - OH1625L  
 (CH 404.xxx - 405.xxx)



**Models**

G4/65-6/9,0	714.400-401-402-403-404-430-431-432-433-434-435-436-437-438-439-440-441-442
G4/95-6/9,0	714.600-601-610-614-615-616-617-618 715.100-101-102-103-111-113
GO4/105-6/7,18	714.602-606
G4/110-6/9,0	714.620-621-626-630-631-664-670-674

Fig.	no.	Rif. MB	Description	Q.ty	Note				
						G4/65-6/9,0	G4/95-6/9,0	GO4/105-6/7,18	G4/110-6/9,0
40		387 262 0533	Reverse Gear 47 T	1		●			
40		387 262 0233	Reverse Gear 47 T	1	(G)		●		
40		387 262 1033	Reverse Gear 47 T	1	(H)		●		
40		387 262 0933	Reverse Gear 47 T	1	(G)		●		
40		387 262 1533	Reverse Gear 47 T	1	(H)		●		
40		387 262 0033	Reverse Gear 47 T	1					●
41		945 265 0149	Slide Fork	2		●	●	●	●
42		020 997 9947	Oil Seal 80x110x10	1		●	●	●	●
43		023 997 8547	Oil Seal 80x100x12	1		●	●	●	●
44		004 981 5525	Bearing	1		●			
44		008 981 5301	Bearing 65x140x39,5	1			●	●	●
45		387 262 0345	Output Flange D.150	1		●			
45		387 262 0845	Output Flange D.150	1		●			
45		387 262 1045	Output Flange D.150	1			●	●	●
45		387 262 0145	Output Flange D.150	1			●	●	
45		387 262 0745	Output Flange D.165	1			●		●
46		001 981 3105	Bearing 40x90x26	1		●			
46		009 981 3105	Bearing 60x100x35,5	1			●	●	●
47		387 263 0110	Constant Gear 43 T	1		●			
47		387 263 1510	Constant Gear 43 T	1			●		
47		387 263 2510	Constant Gear 44 T	1				●	
47		387 263 1810	Constant Gear 43 T	1					●
48		387 263 0115	Gear 5th Speed 34 T	1		●			
48		387 263 0215	Gear 5th Speed 34 T	1			●		
48		387 263 0815	Gear 5th Speed 38 T	1				●	
48		387 263 0015	Gear 4th Speed 34 T	1					●
49		387 263 0713	Double Gear 3rd/4th Sp.-25/21 T	1		●			
49		387 263 0613	Double Gear 3nd/4th Sp.-25/21 T	1			●		
49		387 263 1213	Double gear 4th/3rd Sp.-31/24 T	1				●	
49		387 263 1313	Double Gear 3nd/4th Sp.-25/21 T	1					●
50		387 263 0102	Countershaft 16/12 T	1		●			
50		387 263 1902	Countershaft 16/12 T	1			●		
50		387 263 2902	Countershaft 18/12 T	1				●	
50		387 263 2002	Countershaft	1					●
51		010 981 5905	Bearing 45x100x27,5	1		●			
51		009 981 3105	Bearing 60x100x35,5	1			●	●	●
52		387 263 0850	Bush	1		●	●	●	
52		387 263 0950	Bush	1	To Rev.Pin 107.237				●
52		387 263 1250	Bush	1	To Rev.Pin 107.177				●
53		010 981 5110	Needle Cage	1		●	●	●	
53		010 981 5210	Needle Cage	1					●
54		387 263 1131	Reverse Gear 21 T	1		●			
54		387 263 1231	Reverse Gear	1			●		
54		387 263 1631	Reverse Gear 20 T	1				●	
54		387 263 0631	Reverse Gear 21 T	1					●

## Notes

(A) G4/65 Up to gearbox 157730

(C) G4/65 Up to gearbox 345971

(E) G4/95 - GO4/105 Up to gearbox 348399

(F) G4/95 - GO4/105 From gearbox 348400

(G) G4/95 - GO4/105 Up to gearbox 124518

(B) G4/65 From gearbox 157731

(D) G4/65 From gearbox 345972

G4/110 Up to gearbox 355346

G4/110 From gearbox 355347

(H) G4/95 - GO4/105 From gearbox 124519

## Date

04 / 2011

## Table

0040



Adattabile a : **MERCEDES** G4/65 - 95 - 105 - 110(6 Speeds)  
 Suitable To :

G4/65 - G4/95 - G4/110  
 6 Speeds  
**Models**

MK - SK - LK

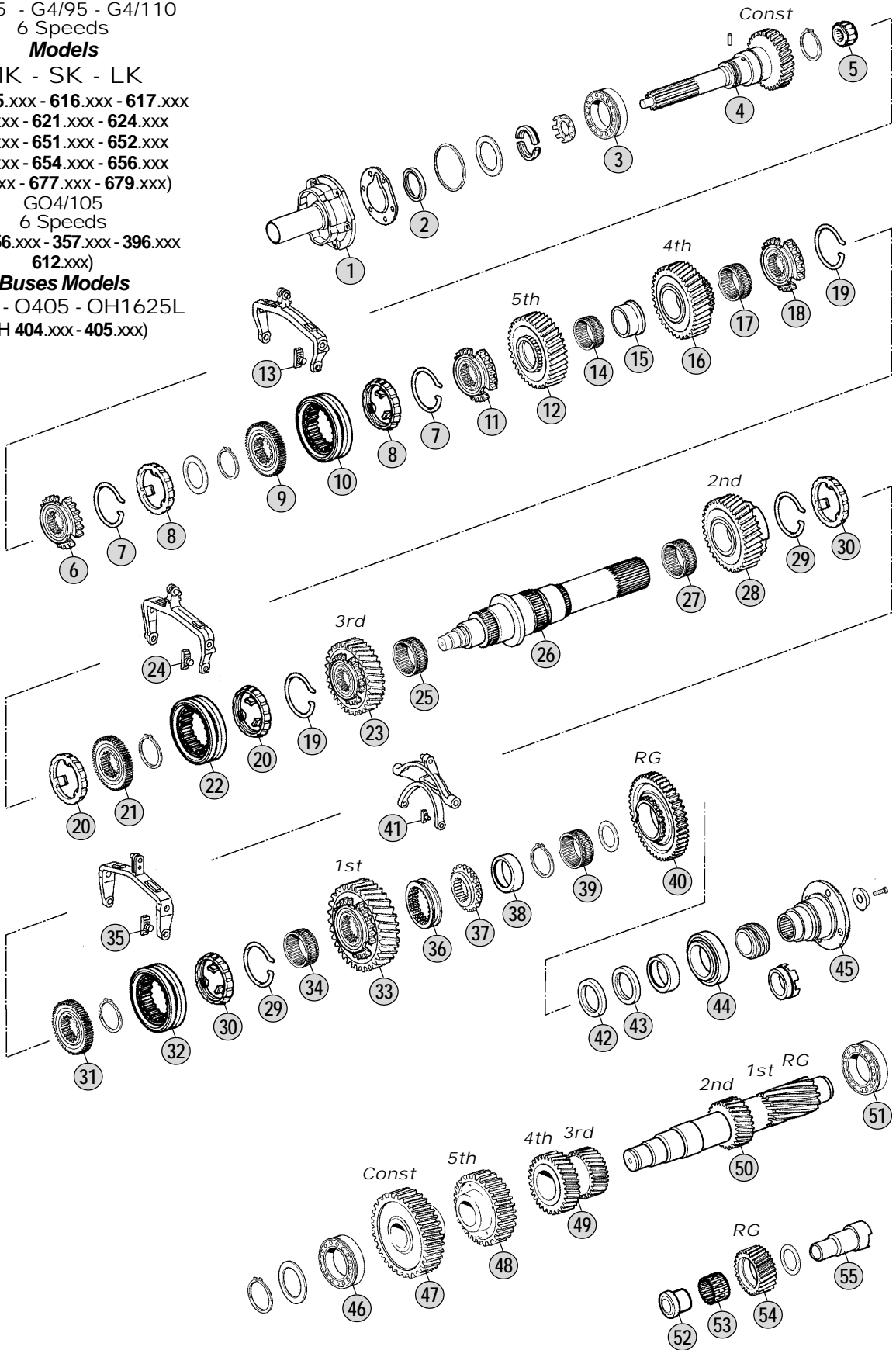
(CH 615.xxx - 616.xxx - 617.xxx  
 619.xxx - 621.xxx - 624.xxx  
 650.xxx - 651.xxx - 652.xxx  
 653.xxx - 654.xxx - 656.xxx  
 676.xxx - 677.xxx - 679.xxx)

GO4/105  
 6 Speeds

(CH 356.xxx - 357.xxx - 396.xxx  
 612.xxx)

**Buses Models**

O404 - O405 - OH1625L  
 (CH 404.xxx - 405.xxx)



**Models**

G4/65-6/9,0	714.400-401-402-403-404-430-431-432-433-434-435-436-437-438-439-440-441-442
G4/95-6/9,0	714.600-601-610-614-615-616-617-618 715.100-101-102-103-111-113
GO4/105-6/7,18	714.602-606
G4/110-6/9,0	714.620-621-626-630-631-664-670-674



Adattabile a : **MERCEDES**  
 Suitable To :

**GO4/120 - 130 - 160(6 Speeds)**

GO4/120 - GO4/130 - GO4/160

6 Speeds

Models

LK

(CH 300.xxx - 356.xxx - 357.xxx

600.xxx - 312.xxx - 613.xxx

614.xxx - 618.xxx)

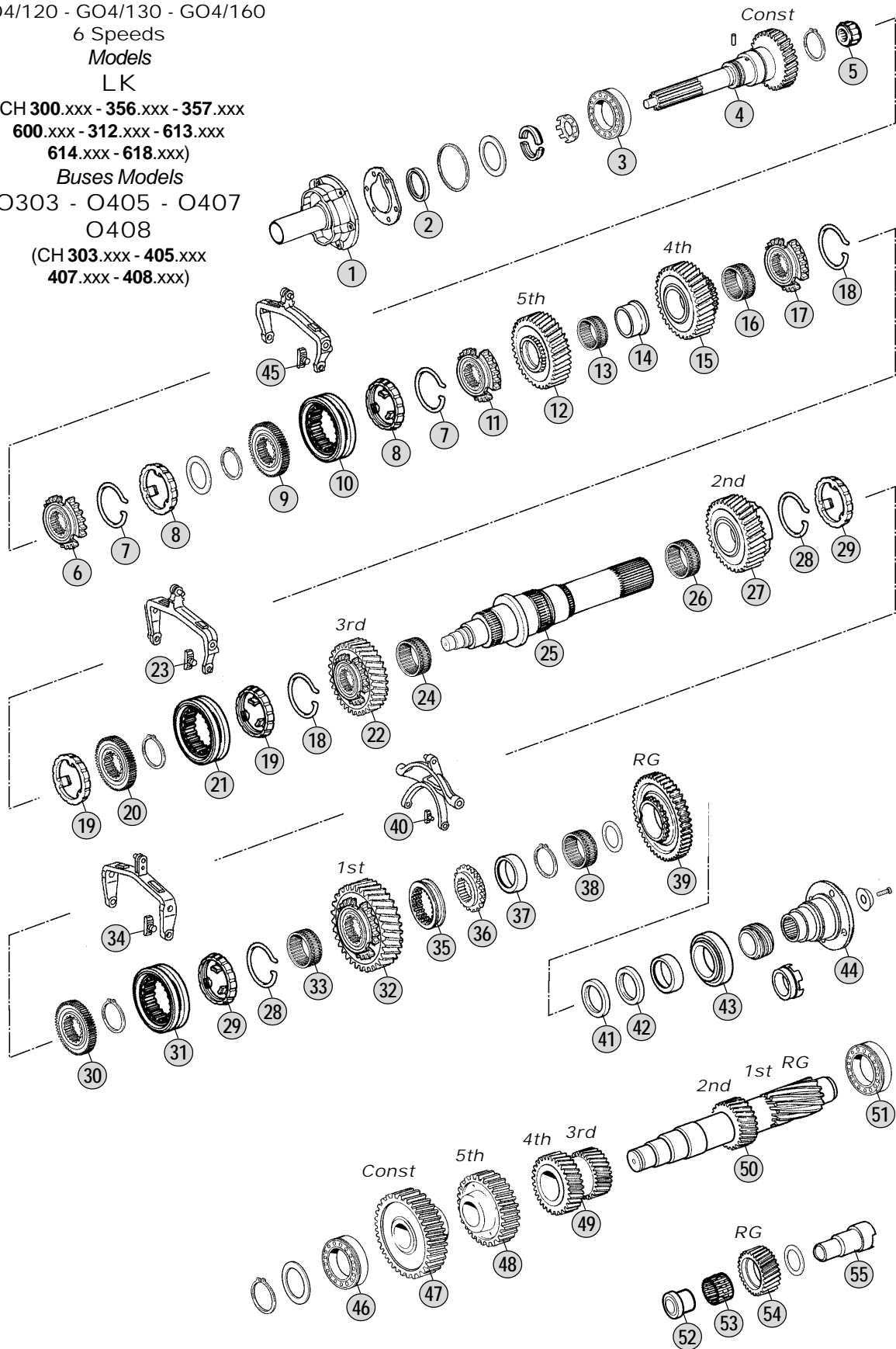
Buses Models

O303 - O405 - O407

O408

(CH 303.xxx - 405.xxx

407.xxx - 408.xxx)



**Models**

GO4/120-6/7,18 **714.605-619**

GO4/130-6/7,18 **714.622-667**

GO4/160-6/7,18 **714.623-668-669(EPS)-671-675**

Fig.	no.	Rif. MB	Description	Q.ty	Note				
						GO4/120-6/7, 18	GO4/130-6/7, 18	GO4/160-6/7, 18	
1		387 261 2318	Front Cover	1		●		●	
1		387 261 2218	Front Cover	1			●		
2		024 997 3047	Seal Ring 52x68x8 mm	1		●		●	
2		007 997 9647	Seal Ring	1	Old Type		●		
2		015 997 0347	Seal Ring Th.8(64x45) mm	1	New Type		●		
3		008 981 5201	Bearing 65x140x33	1		●	●	●	
4		387 262 6302	Input Shaft	1		●			
4		387 262 4502	Input Shaft 25 T	1			●		
4		387 262 6202	Input Shaft 25 T	1				●	
5		002 981 1312	Needle Cage 40x60x28	1		●	●	●	
6		387 262 5134	Synchronizer Cone	1		●	●	●	
7		387 262 1093	Elastic Ring	2		●	●	●	
8		389 262 0637	Synchronizer Ring	2		●	●	●	
8		389 262 3137	Synchronizer Ring	2	LONG LIFE	●	●	●	
9		387 262 2135	Synchronizer Hub	1		●	●	●	
10		387 262 1523	Sliding Sleeve	1		●	●	●	
10		M387 262 1523	Sliding Sleeve	1	LONG LIFE	●	●	●	
11		389 262 5634	Synchronizer Cone	1		●	●	●	
12		387 262 2215	Gear 5th Speed 27 T	1		●			
12		387 262 2515	Gear 5th Speed 27 T	1			●	●	
13		009 981 1410	Needle Cage 75x83x48	1		●			
13		008 981 8310	Needle Cage 75x83x55W	1			●	●	
14		387 262 0550	Bush H=54,00 mm	1		●			
14		387 262 0150	Bush H=61,00 mm	1			●	●	
15		387 262 3714	Gear 4th Speed 30 T	1		●			
15		387 262 4014	Gear 4th Speed 30 T	1			●	●	
16		009 981 1510	Needle Cage K78x86x35ZW	1		●			
16		008 981 9910	Needle Cage 78x86x40	1			●	●	
17		387 262 4534	Synchronizer Cone	1	(AC)	●	●	●	
17		387 262 4834	Synchronizer Cone	1	(BD)	●	●	●	
18		387 262 1093	Elastic Ring	2		●	●	●	
19		389 262 0637	Synchronizer Ring	2		●	●	●	
19		389 262 3137	Synchronizer Ring	2	LONG LIFE	●	●	●	
20		387 262 2035	Synchronizer Hub	1		●	●	●	
21		387 262 1523	Sliding Sleeve	1	(AC)	●	●	●	
21		M387 262 1523	Sliding Sleeve	1	(AC) LONG LIFE	●	●	●	
21		387 262 1423	Sliding Sleeve	1	(BD)	●	●	●	
21		M387 262 1423	Sliding Sleeve	1	(BD) LONG LIFE	●	●	●	
22		387 262 3813	Gear 3rd Speed 35 T	1	(A)	●			
22		387 262 4913	Gear 3rd Speed 35 T	1	(B)	●			
22		387 262 3713	Gear 3rd Speed 35 T	1	(C)		●	●	
22		387 262 4813	Gear 3rd Speed 35 T	1	(D)		●	●	
23		389 265 2349	Slide Fork	2	BRASS	●	●	●	
23		M389 265 2349	Slide Fork	2	IRON	●	●	●	
24		009 981 1710	Needle Cage 93x99x44	1		●			

## Notes

- (A) GO4/120 Up to gearbox 348399 (B) GO4/120 From gearbox 348400  
 (C) GO4/130 - 160 Up to gearbox 355346 (D) GO4/130 - 160 From gearbox 355347  
 (E) GO4/120 Up to gearbox 124518 (F) GO4/120 From gearbox 124519  
 (1) For Series 714.622 GO4/130 Up to gearbox 153191 is used 387 263 1602 Countershaft.  
 This version is NOT interchangeable with 387 262 2802.

## Date

04 / 2011

## Table

0050

Adattabile a : **MERCEDES**  
 Suitable To :

**GO4/120 - 130 - 160(6 Speeds)**

GO4/120 - GO4/130 - GO4/160

6 Speeds

Models

LK

(CH 300.xxx - 356.xxx - 357.xxx

600.xxx - 312.xxx - 613.xxx

614.xxx - 618.xxx)

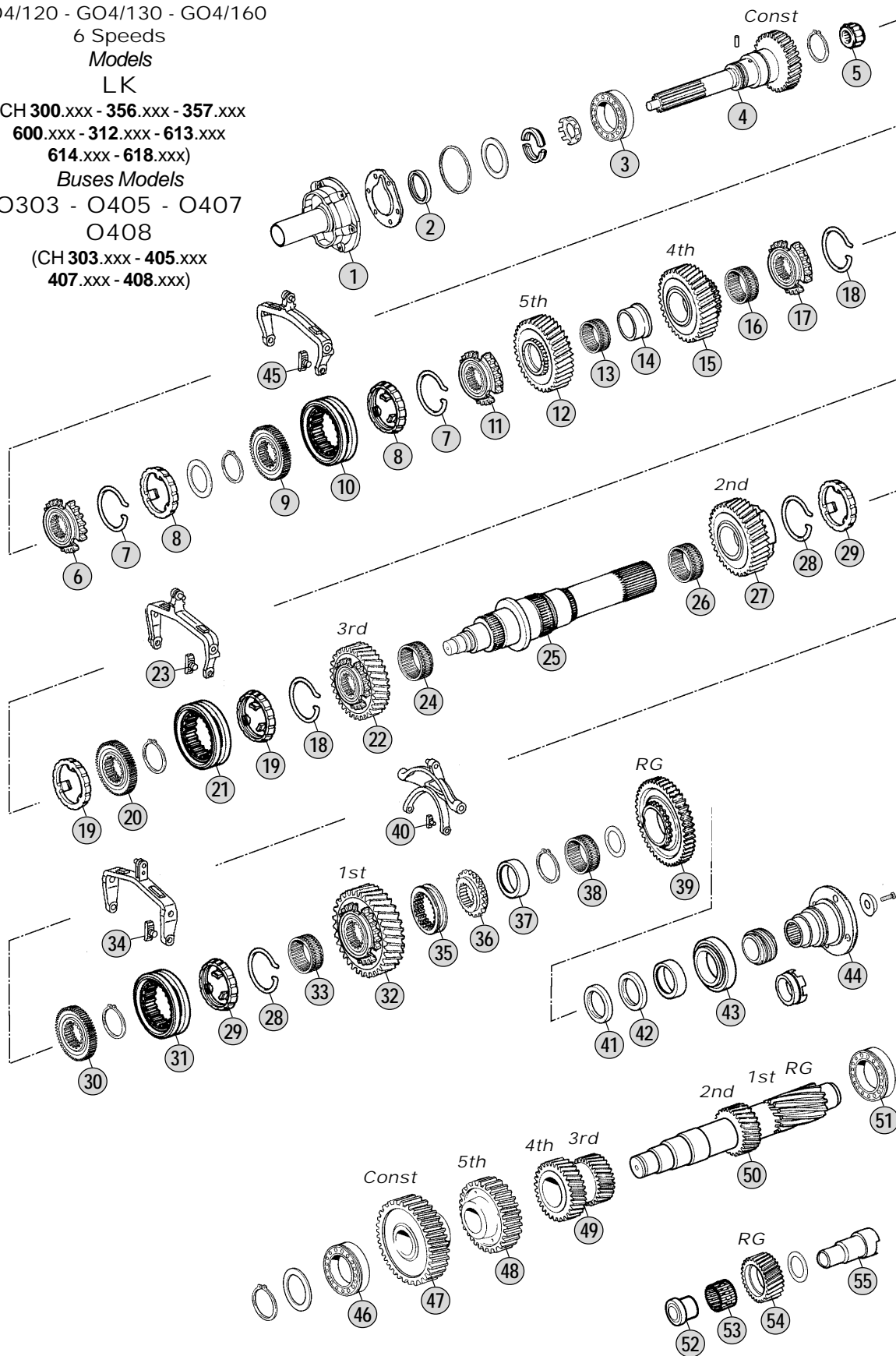
Buses Models

O303 - O405 - O407

O408

(CH 303.xxx - 405.xxx

407.xxx - 408.xxx)



**Models**

GO4/120-6/7,18 **714.605-619**

GO4/130-6/7,18 **714.622-667**

GO4/160-6/7,18 **714.623-668-669(EPS)-671-675**

Fig.	no.	Rif. MB	Description	Q.ty	Note			
						GO4/120-6/7, 18	GO4/130-6/7, 18	GO4/160-6/7, 18
24		007 981 5510	Needle Cage 92x100x49,5	1			●	●
25		387 262 2105	Main Shaft	1	(E)	●		
25		387 262 2405	Main Shaft	1	(F)	●		
25		387 262 2005	Main Shaft	1			●	●
26		009 981 1810	Needle Cage 102x100x44	1		●		
26		008 981 9710	Needle Cage 102,5x109,5x49	1			●	●
27		387 262 2712	Gear 2nd Speed 42 T	1	(A)	●		
27		387 262 3912	Gear 2nd Speed 42 T	1	(B)	●		
27		387 262 2612	Gear 2nd Speed 42 T	1	(C)		●	●
27		387 262 3812	Gear 2nd Speed 42 T	1	(D)		●	●
28		387 262 0893	Elastic Ring	2		●	●	●
29		389 262 0737	Synchronizer Ring	2		●	●	●
29		389 262 3237	Synchronizer Ring	2	LONG LIFE	●	●	●
30		387 262 0435	Synchronizer Hub	1	(AC)	●	●	●
30		387 262 3435	Synchronizer Hub	1	(BD)	●	●	●
31		387 262 0623	Sliding Sleeve	1	(AC)	●	●	●
31		M387 262 0623	Sliding Sleeve	1	(AC) LONG LIFE	●	●	●
31		387 262 1323	Sliding Sleeve	1	(BD)	●	●	●
31		M387 262 1323	Sliding Sleeve	1	(BD) LONG LIFE	●	●	●
32		387 262 2011	Gear 1st Speed 49 T	1	(A)	●		
32		387 262 2911	Gear 1st Speed 49 T	1	(B)	●		
32		387 262 1911	Gear 1st Speed 49 T	1	(C)		●	●
32		387 262 2811	Gear 1st Speed 49 T	1	(D)		●	●
33		009 981 1610	Needle Cage K85x93x37ZW	1		●		
33		021 981 9410	Needle Cage 85x93x45W	1			●	●
34		389 265 2349	Slide Fork	2	BRASS	●	●	●
34		M389 265 2349	Slide Fork	2	IRON	●	●	●
35		387 262 0023	Sliding Sleeve	1		●	●	
35		387 262 0023	Sliding Sleeve	1	Excluded for 714.669			●
35		387 262 0923	Sliding Sleeve	1	Only for 714.669			●
36		387 262 0036	Synchronizer Hub	1	(E)	●		
36		387 262 0436	Synchronizer Hub	1	(F)	●		
36		387 262 0036	Synchronizer Hub	1			●	●
37		387 262 1550	Bush	1	(E)	●		
37		387 262 1450	Bush	1			●	●
38		009 981 1610	Needle Cage K85x93x37ZW	1	(E)	●		
38		021 981 5710	Needle Cage 75x83x33W	1	(F)	●		
38		021 981 9410	Needle Cage 85x93x45W	1			●	●
39		387 262 1233	Reverse Gear	1	(E)	●		
39		387 262 1633	Reverse Gear 47 T	1	(F)	●		
39		387 262 0833	Reverse Gear 47 T	1			●	
39		387 262 1133	Reverse Gear 47 T	1				●
40		945 265 0149	Slide Fork	2		●	●	●
41		020 997 9947	Oil Seal 80x110x10	1		●	●	●
42		023 997 8547	Oil Seal 80x100x12	1		●	●	●

**Notes**

- (A) GO4/120 Up to gearbox 348399 (B) GO4/120 From gearbox 348400  
 (C) GO4/130 - 160 Up to gearbox 355346 (D) GO4/130 - 160 From gearbox 355347  
 (E) GO4/120 Up to gearbox 124518 (F) GO4/120 From gearbox 124519  
 (1) For Series 714.622 GO4/130 Up to gearbox 153191 is used 387 263 1602 Countershaft.  
 This version is NOT interchangeable with 387 262 2802.

**Date**

04 / 2011

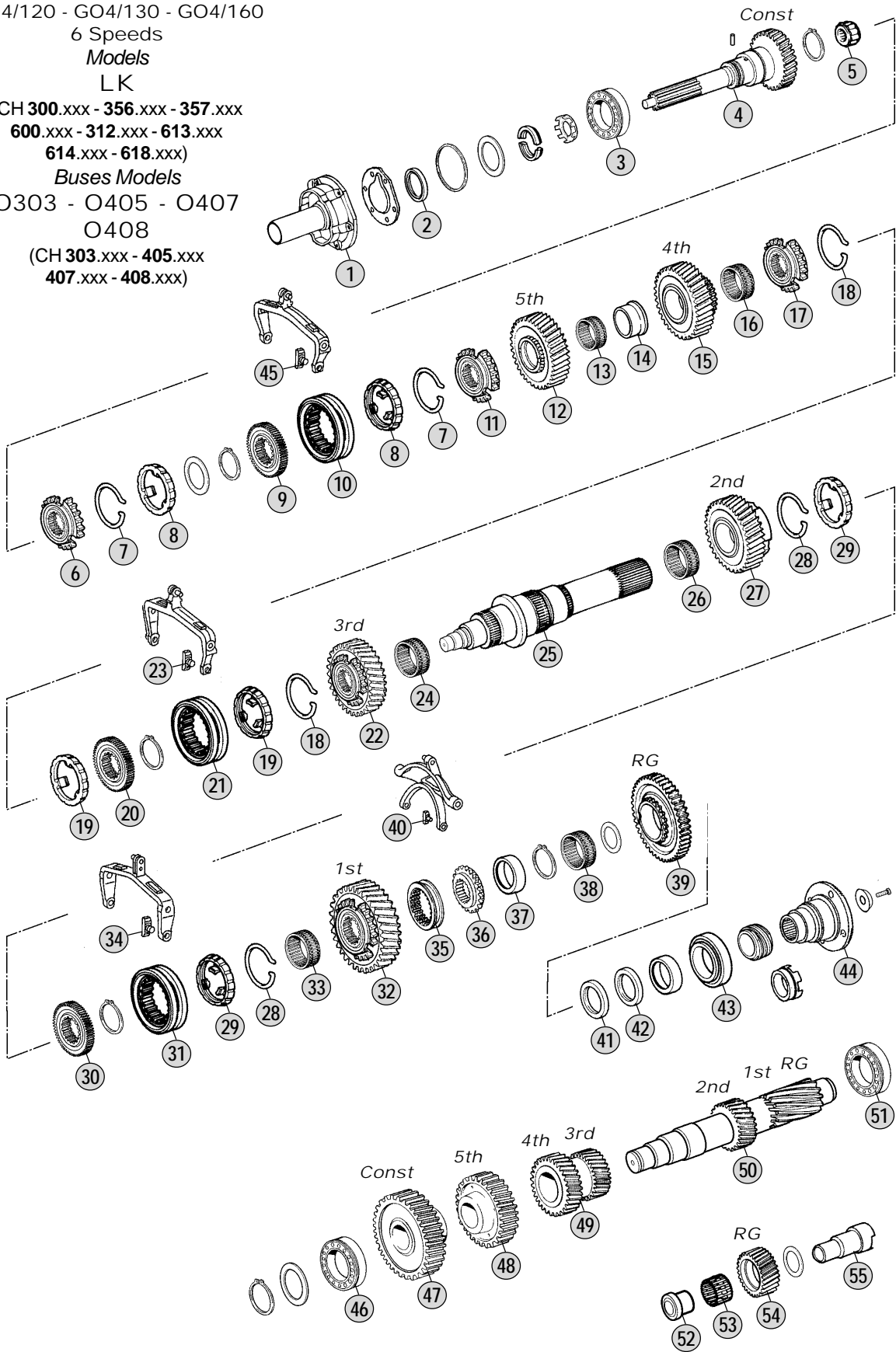
**Table****0050**



Adattabile a : **MERCEDES**

GO4/120 - 130 - 160(6 Speeds)

GO4/120 - GO4/130 - GO4/160  
 6 Speeds  
 Models  
 LK  
 (CH 300.xxx - 356.xxx - 357.xxx  
 600.xxx - 312.xxx - 613.xxx  
 614.xxx - 618.xxx)  
 Buses Models  
 O303 - O405 - O407  
 O408  
 (CH 303.xxx - 405.xxx  
 407.xxx - 408.xxx)



**Models**

GO4/120-6/7, 18	714.605-619
GO4/130-6/7, 18	714.622-667
GO4/160-6/7, 18	714.623-668-669(EPS)-671-675

Fig.	no.	Rif. MB	Description	Q.ty	Note			
						GO4/120-6/7, 18	GO4/130-6/7, 18	GO4/160-6/7, 18
43		008 981 5301	Bearing 65x140x39,5	1		●	●	●
44		387 262 0145	Output Flange D.150	1		●	●	●
44		387 262 1045	Output Flange D.150	1		●	●	●
44		387 262 0745	Output Flange D.165	1				●
45		389 265 2349	Slide Fork	2	BRASS	●	●	●
45		M389 265 2349	Slide Fork	2	IRON	●	●	●
46		009 981 3105	Bearing 60x100x35,5	1		●	●	●
47		387 263 2510	Constant Gear 44 T	1		●		
47		387 263 2410	Constant Gear 44 T	1			●	●
48		387 263 0815	Gear 5th Speed 38 T	1		●		
48		387 263 0715	Gear 5th Speed 38 T	1			●	●
49		387 263 1213	Double gear 4th/3rd Sp.-31/24 T	1		●		
49		387 263 1113	Double gear 4th/3th Sp.-31/24 T	1			●	●
50		387 263 2902	Countershaft 18/12 T	1		●		
50		387 263 2802	Countershaft 18/12 T	1	(1)		●	●
51		009 981 3105	Bearing 60x100x35,5	1		●	●	●
52		387 263 0850	Bush	1		●		
52		387 263 0950	Bush	1	With 107.237		●	●
52		387 263 1250	Bush	1	With 107.177		●	●
53		010 981 5110	Needle Cage	1		●		
53		010 981 5210	Needle Cage	1			●	●
54		387 263 1631	Reverse Gear 20 T	1		●		
54		387 263 1531	Reverse Gear 20 T	1			●	●
55		387 263 0830	Reverse Shaft	1		●		
55		387 263 0530	Reverse Shaft	1	To Bush 117.430		●	●
55		387 263 1430	Reverse Shaft	1	To Bush 117.331		●	●

6 Speeds  
GO4/120 - 130 - 160

Notes

- (A) GO4/120 Up to gearbox 348399 (B) GO4/120 From gearbox 348400  
 (C) GO4/130 - 160 Up to gearbox 355346 (D) GO4/130 - 160 From gearbox 355347  
 (E) GO4/120 Up to gearbox 124518 (F) GO4/120 From gearbox 124519  
 (1) For Series 714.622 GO4/130 Up to gearbox 153191 is used 387 263 1602 Countershaft.  
 This version is NOT interchangeable with 387 262 2802.

Date

04 / 2011

Table

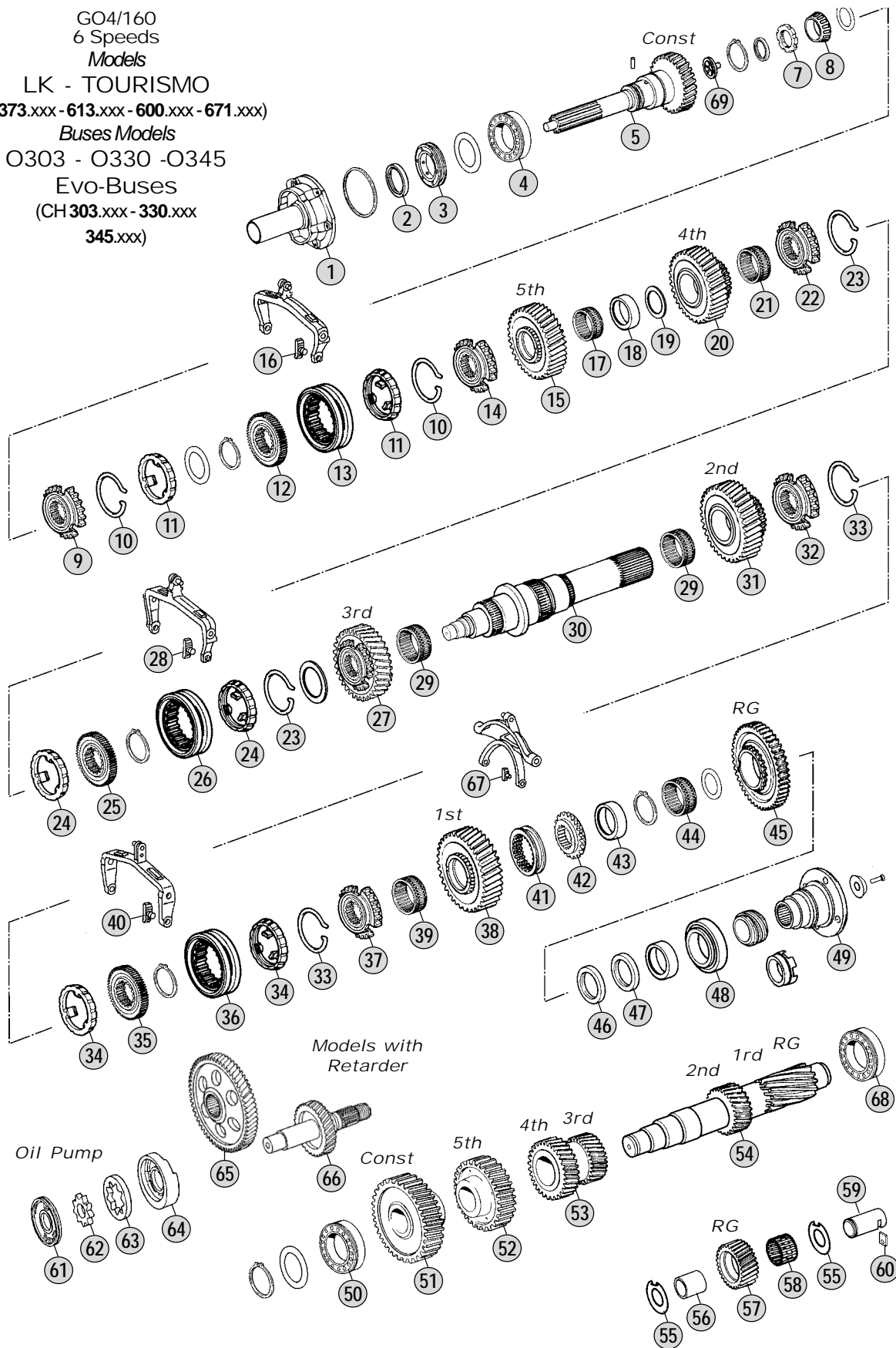
**0050**



Adattabile a : **MERCEDES**  
Suitable To :

**GO4/160 (6 Speeds)**

GO4/160  
6 Speeds  
Models  
LK - TOURISMO  
(CH 373.xxx - 613.xxx - 600.xxx - 671.xxx)  
Buses Models  
O303 - O330 -O345  
Evo-Buses  
(CH 303.xxx - 330.xxx  
345.xxx)



**Models**

GO4/160-6/8,2 714.690-691(EPS)-692-693-696(MPS)-697(MPS)-698(MPS)-699

Fig.	no.	Rif. MB	Description	Q.ty	Note	GO4/160-6/8,2			
1		389 261 4318	Front Cover	1		●			
2		024 997 3047	Seal Ring 52x68x8 mm	1		●			
3		389 261 0865	Diaphragm	1		●			
4		011 981 1305	Bearing 75x140x34,3	1		●			
5		389 262 3102	Input Shaft 26 T	1		●			
5		656 262 0402	Input Shaft 26 T	1		●			
5		656 262 0602	Input Shaft 26 T	1		●			
7		945 990 0050	Nut M30x1,5	1		●			
8		015 981 1605	Bearing 39,65x82,3x41	1		●			
9		389 262 1134	Synchronizer Cone	1	(A)	●			
9		389 262 8534	Synchronizer Cone	1	(B)	●			
10		387 262 1093	Elastic Ring	2		●			
11		389 262 0637	Synchronizer Ring	2		●			
11		389 262 3137	Synchronizer Ring	2	LONG LIFE	●			
12		389 262 1935	Synchronizer Hub	1	(A)	●			
12		389 262 4535	Synchronizer Hub	1	(B)	●			
13		945 262 0323	Sliding Sleeve	1	(A)	●			
13		M945 262 0323	Sliding Sleeve	1	(A) LONG LIFE	●			
13		389 262 2023	Sliding Sleeve	1	(B)	●			
13		M389 262 2023	Sliding Sleeve	1	(B) LONG LIFE	●			
14		945 262 4034	Synchronizer Cone	1	(A)	●			
14		945 262 5134	Synchronizer Cone	1	(B)	●			
15		389 262 0215	Gear 5th Speed 30 T	1		●			
16		947 265 0349	Slide Fork	2	BRASS	●			
16		M947 265 0349	Slide Fork	2	IRON	●			
17		011 981 7610	Needle Cage	1		●			
18		389 262 0650	Bush H=58,00 mm	1		●			
19		389 262 9052	Thrust Washer	1		●			
20		389 262 0914	Gear 4th Speed 35 T	1	With Washer Fig.19	●			
20		389 262 1014	Gear 4th Speed	1	W/out Washer Fig.19	●			
21		009 981 1510	Needle Cage K78x86x35ZW	1		●			
22		945 262 0334	Synchronizer Cone	1	(A)	●			
22		945 262 5034	Synchronizer Cone	1	(B)	●			
23		387 262 1093	Elastic Ring	2		●			
24		389 262 0637	Synchronizer Ring	2		●			
24		389 262 3137	Synchronizer Ring	2	LONG LIFE	●			
25		389 262 2735	Synchronizer Hub	1	(A)	●			
25		389 262 4435	Synchronizer Hub	1	(B)	●			
26		945 262 0323	Sliding Sleeve	1	(A)	●			
26		M945 262 0323	Sliding Sleeve	1	(A) LONG LIFE	●			
26		389 262 2023	Sliding Sleeve	1	(B)	●			
26		M389 262 2023	Sliding Sleeve	1	(B) LONG LIFE	●			
27		976 262 1113	Gear 3rd Speed 47 T	1	(A)	●			
27		389 262 4013	Gear 3rd Speed 47 T	1	(B)	●			
28		947 265 0349	Slide Fork	2	BRASS	●			

**Notes**(A) Up to gearbox 439235  
(C) Up to gearbox 372851(B) From gearbox 439236  
(D) From gearbox 372852**Date**

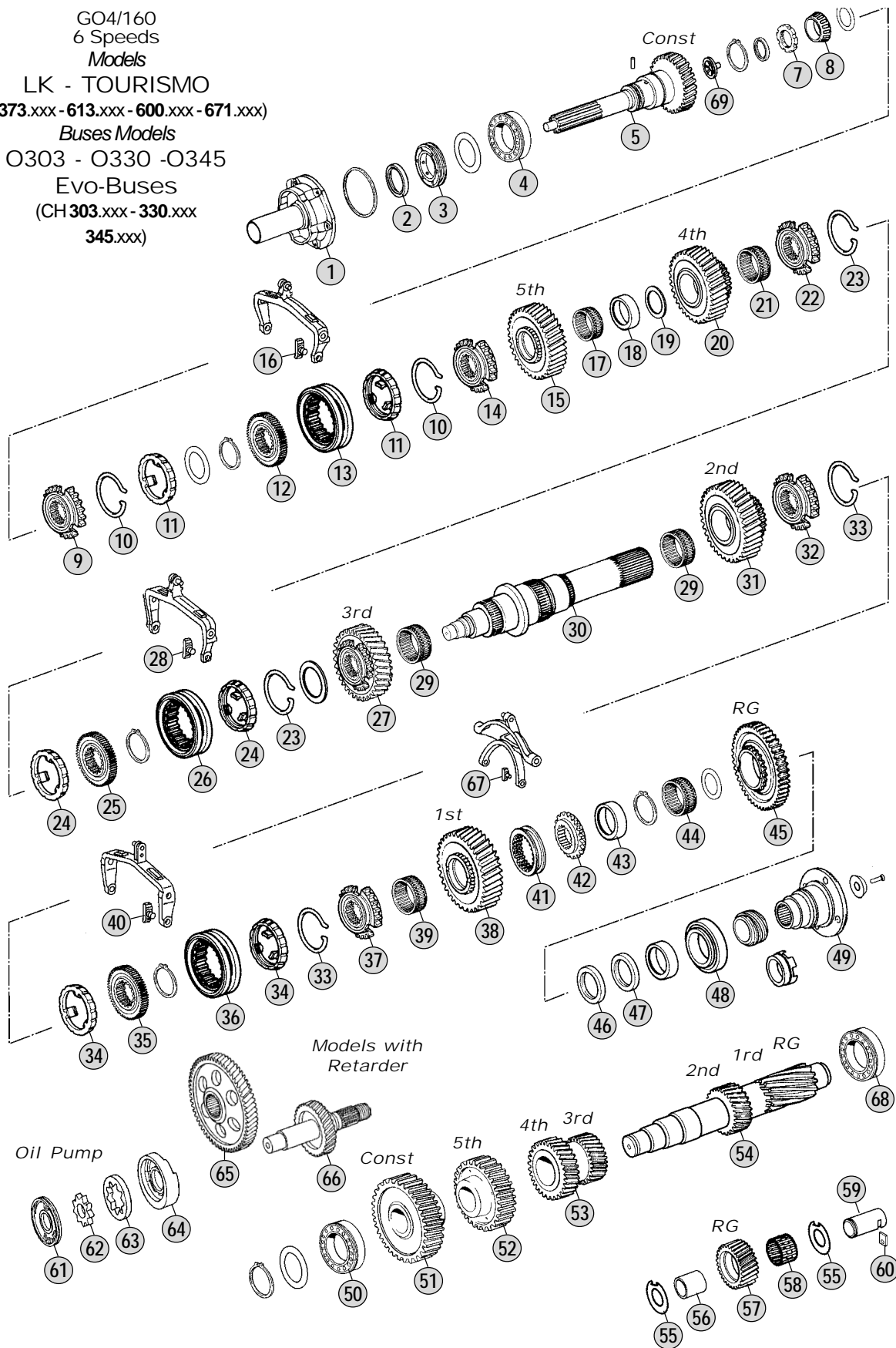
04 / 2011

**Table****0060**

Adattabile a : **MERCEDES**  
Suitable To :

**GO4/160 (6 Speeds)**

GO4/160  
6 Speeds  
Models  
LK - TOURISMO  
(CH 373.xxx - 613.xxx - 600.xxx - 671.xxx)  
Buses Models  
O303 - O330 -O345  
Evo-Buses  
(CH 303.xxx - 330.xxx  
345.xxx)



**Models**

GO4/160-6/8,2 714.690-691(EPS)-692-693-696(MPS)-697(MPS)-698(MPS)-699

Fig.	no.	Rif. MB	Description	Q.ty	Note	GO4/160-6/8,2			
28		M947 265 0349	Slide Fork	2	IRON	●			
29		007 981 5510	Needle Cage 92x100x49,5	2		●			
30		389 262 1705	Main Shaft	1	(C)	●			
30		389 262 4405	Main Shaft	1	(D)	●			
31		389 262 3312	Gear 2nd Speed 45 T	1		●			
32		945 262 0434	Synchronizer Cone	1	(A)	●			
32		945 262 4934	Synchronizer Cone	1	(B)	●			
33		387 262 0893	Elastic Ring	2		●			
34		389 262 0737	Synchronizer Ring	2		●			
34		389 262 3237	Synchronizer Ring	2	LONG LIFE	●			
35		389 262 1135	Synchronizer Hub	1	(A)	●			
35		389 262 5635	Synchronizer Hub	1	(B)	●			
36		945 262 0423	Sliding Sleeve	1	(A)	●			
36		M945 262 0423	Sliding Sleeve	1	(A) LONG LIFE	●			
36		389 262 2123	Sliding Sleeve	1	(B)	●			
36		M389 262 2123	Sliding Sleeve	1	(B) LONG LIFE	●			
37		945 262 0434	Synchronizer Cone	1	(A)	●			
37		945 262 4834	Synchronizer Cone	1	(B)	●			
38		389 262 1911	Gear 1st Speed 50 T	1		●			
39		021 981 9410	Needle Cage 85x93x45W	1		●			
40		947 265 0349	Slide Fork	2	BRASS	●			
40		M947 265 0349	Slide Fork	2	IRON	●			
41		389 262 1723	Sliding Sleeve	1	With 157.630	●			
41		389 262 1823	Sliding Sleeve	1	With 157.626	●			
42		389 262 4135	Synchronizer Hub	1	With 154.224	●			
42		389 262 4235	Synchronizer Hub	1	With 154.223	●			
43		389 262 0950	Bush	1	(C)	●			
43		389 262 1750	Bush	1	(D)	●			
44		021 981 9410	Needle Cage 85x93x45W	1		●			
45		389 262 1333	Reverse Gear 47 T	1		●			
46		020 997 9947	Oil Seal 80x110x10	1		●			
47		023 997 8547	Oil Seal 80x100x12	1		●			
48		009 981 8905	Bearing	1	(C)	●			
48		012 981 3705	Bearing 65x140x13,5	1	(D)	●			
49		976 262 0145	Output Flange D.150mm	1	Up to Gearbox 498149	●			
49		947 262 0345	Output Flange D.150mm	1	From Gearbox 498150	●			
49		629 262 0245	Output Flange D.150 mm	1		●			
49		629 262 0045	Output Flange D.150 mm	1		●			
49		387 264 2445	Output Flange D.162 mm	1	For TELMA Retarder	●			
49		387 264 3445	Output Flange D.180 mm	1		●			
49		629 262 0145	Output Flange D.180 mm	1		●			
49		656 262 0145	Output Flange D.180mm	1		●			
49		387 264 3245	Output Flange D.182mm	1		●			
49		656 262 0045	Output Flange D.249 mm	1		●			
50		014 981 1405	Bearing 50,8x100x35	1		●			

**Notes**(A) Up to gearbox 439235  
(C) Up to gearbox 372851(B) From gearbox 439236  
(D) From gearbox 372852**Date**

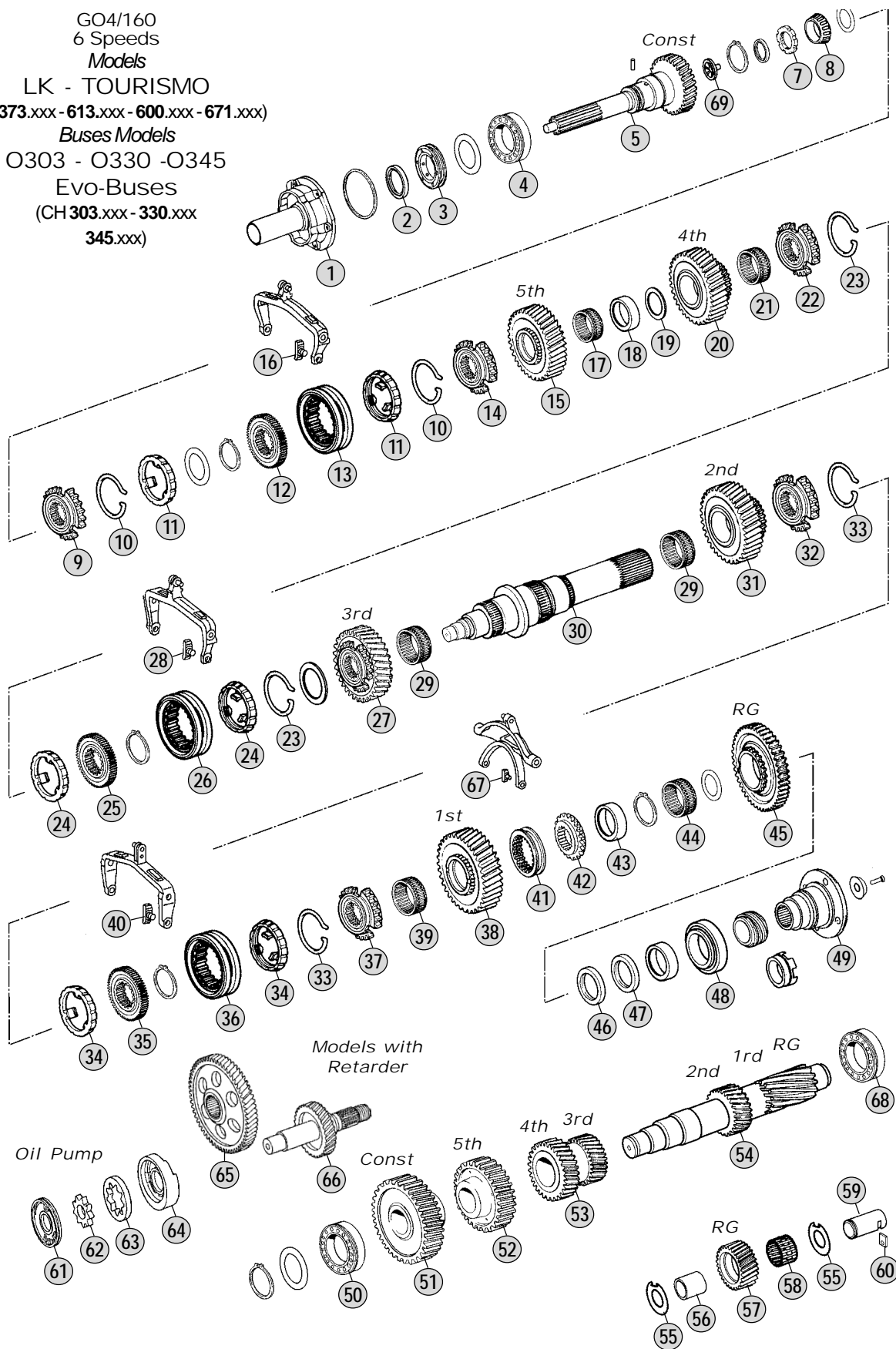
04 / 2011

**Table****0060**6 Speeds  
GO4/160

Adattabile a : **MERCEDES**  
Suitable To :

**GO4/160 (6 Speeds)**

GO4/160  
6 Speeds  
Models  
LK - TOURISMO  
(CH 373.xxx - 613.xxx - 600.xxx - 671.xxx)  
Buses Models  
O303 - O330 -O345  
Evo-Buses  
(CH 303.xxx - 330.xxx  
345.xxx)



**Models**

GO4/160-6/8,2 714.690-691(EPS)-692-693-696(MPS)-697(MPS)-698(MPS)-699



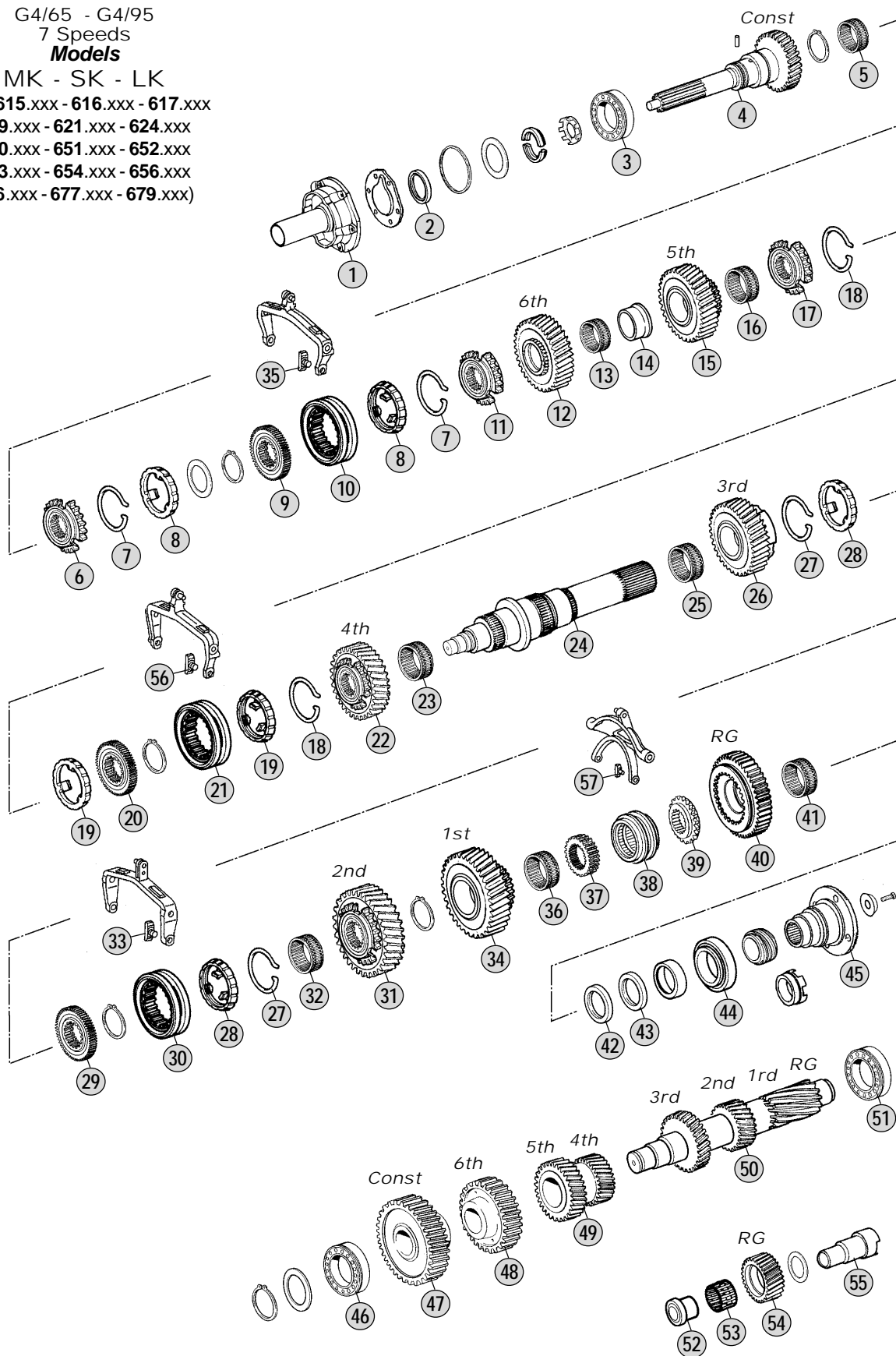




Adattabile a : **MERCEDES**  
 Suitable To :

Modelli Cambio/ Gearbox Models  
**G4/65 - G4/95 (7 Speeds)**

G4/65 - G4/95  
 7 Speeds  
**Models**  
 MK - SK - LK  
 (CH 615.xxx - 616.xxx - 617.xxx  
 619.xxx - 621.xxx - 624.xxx  
 650.xxx - 651.xxx - 652.xxx  
 653.xxx - 654.xxx - 656.xxx  
 676.xxx - 677.xxx - 679.xxx)



**Models**

G4/65-7/11,0      714.500-501-502-530-531-532-533-534-535-536

G4/95-7/11,0      714.640-641-642-643-644-650-651-652-653-654-655

Fig.	no.	Rif. MB	Description	Q.ty	Note	G4/65-7/11,0	G4/95-7/11,0			
1		387 261 2418	Front Cover	1	(A) Excl.714.531-534-535-536	●				
1		387 261 2018	Front Cover	1	(B) Excl.714.531-534-535-536	●				
1		387 261 2618	Front Cover	1	Only 714.531	●				
1		387 261 2218	Front Cover	1	714.640-650-651-652-653-654		●			
1		389 261 0018	Front Cover	1	714.641-643-655		●			
1		387 261 2918	Front Cover	1	714.642-644		●			
2		007 997 9647	Seal Ring	1	Old Type	●				
2		015 997 0347	Seal Ring Th.8(64x45) mm	1	New Type	●				
2		015 997 0347	Seal Ring Th.8(64x45) mm	1	714.640-650-651-652-653-654		●			
2		024 997 3047	Seal Ring 52x68x8 mm	1	714.641-642-643-644-655		●			
3		008 981 9501	Bearing	1	(A)	●				
3		007 981 2001	Bearing 60x110x22	1	(B)	●				
3		008 981 5201	Bearing 65x140x33	1			●			
4		387 262 6102	Input Shaft 19 T	1	Excluded 714.502-531	●				
4		387 262 7702	Input Shaft	1	Only 714.502	●				
4		387 262 5202	Input Shaft	1	Only 714.531	●				
4		387 262 4602	Input Shaft	1	714.640-650-651-652-653-654		●			
4		387 262 6802	Input Shaft	1	714.641-655		●			
4		652 262 0002	Input Shaft	1	714.643		●			
4		387 262 7502	Input Shaft	1	714.642-644		●			
5		002 981 1412	Needle Bearing	1		●	●			
6		387 262 5234	Synchronizer Cone	1		●	●			
7		387 262 1093	Elastic Ring	2		●	●			
8		389 262 0637	Synchronizer Ring	2		●	●			
8		389 262 3137	Synchronizer Ring	2	LONG LIFE	●	●			
9		387 262 0935	Synchronizer Hub	1		●	●			
10		387 262 1523	Sliding Sleeve	1		●	●			
10		M387 262 1523	Sliding Sleeve	1	LONG LIFE	●	●			
11		387 262 4934	Synchronizer Cone	1		●	●			
12		387 262 0416	Gear 6th Speed	1		●				
12		387 262 0316	Gear 6th Speed 19 T	1			●			
13		009 981 3610	Needle Cage	1		●				
13		010 981 9510	Needle Cage	1			●			
14		387 262 0750	Bush	1		●				
14		387 262 1350	Bush	1			●			
15		387 262 1815	Gear 5th Speed	1		●				
15		387 262 2615	Gear 5th Speed	1			●			
16		009 981 3510	Needle Cage	1		●				
16		000 981 6712	Needle Cage	1			●			
17		387 262 4534	Synchronizer Cone	1	(CE)	●	●			
17		387 262 4834	Synchronizer Cone	1	(DF)	●	●			
18		387 262 1093	Elastic Ring	2		●	●			
19		389 262 0637	Synchronizer Ring	2		●	●			
19		389 262 3137	Synchronizer Ring	2	LONG LIFE	●	●			
20		387 262 1835	Synchronizer Hub	1		●				

## Notes

- (A) G4/65 Up to gearbox 157730 (B) G4/65 From gearbox 157731  
 (C) G4/65 Up to gearbox 345691 (D) G4/65 From gearbox 345692  
 (E) G4/95 Up to gearbox 348399 (F) G4/95 From gearbox 348400  
 (G) G4/95 Up to gearbox 088676 (H) G4/95 From gearbox 088677  
 (I) Use with Note E or Note F for synchro parts and Note G or Note H for other parts

## Date

04 / 2011

## Table

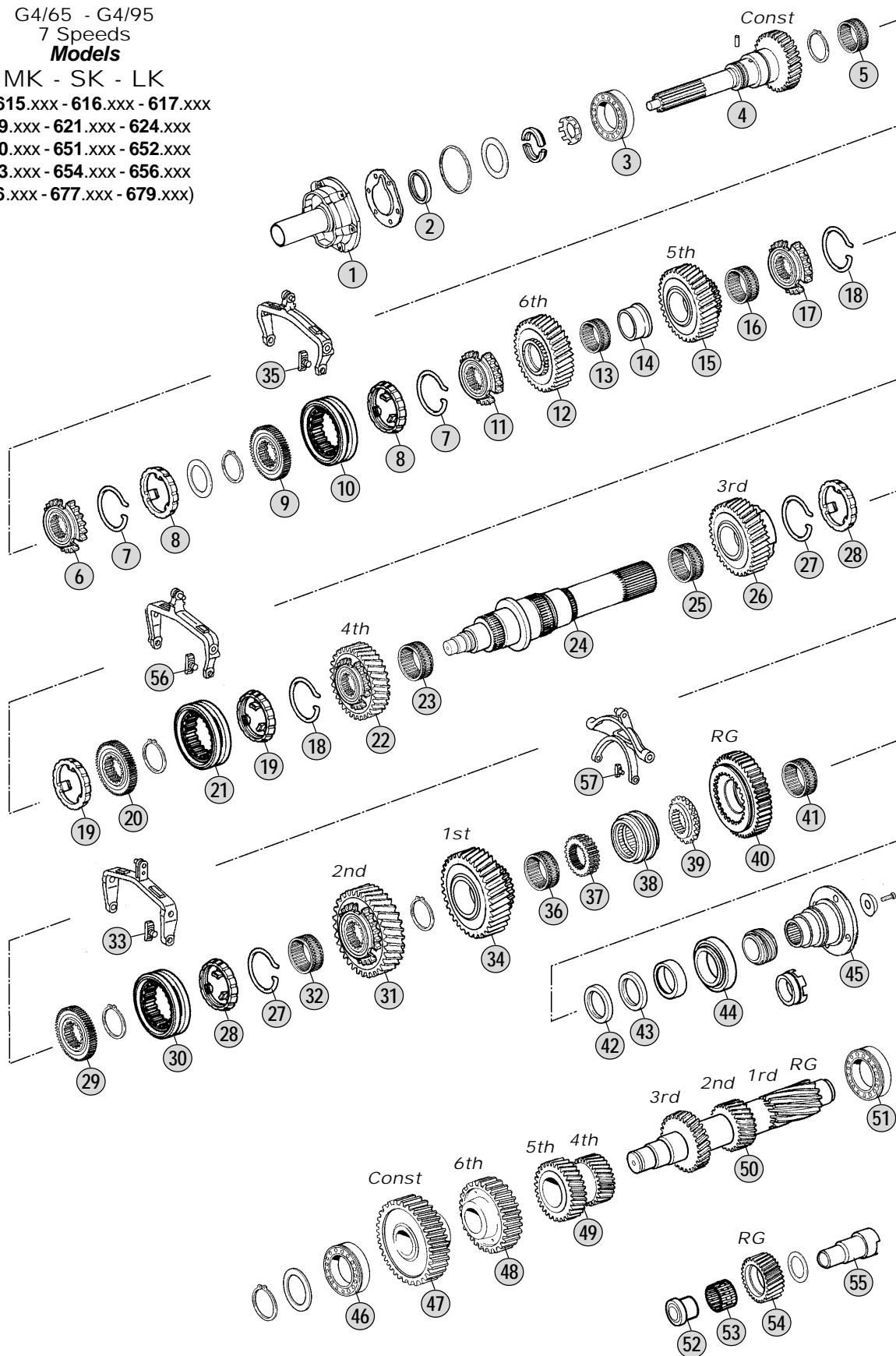
0070

7 Speeds  
G4/65-95

Adattabile a : **MERCEDES**  
 Suitable To :

Modelli Cambio/ Gearbox Models  
**G4/65 - G4/95 (7 Speeds)**

G4/65 - G4/95  
 7 Speeds  
**Models**  
 MK - SK - LK  
 (CH 615.xxx - 616.xxx - 617.xxx  
 619.xxx - 621.xxx - 624.xxx  
 650.xxx - 651.xxx - 652.xxx  
 653.xxx - 654.xxx - 656.xxx  
 676.xxx - 677.xxx - 679.xxx)



**Models**

G4/65-7/11,0      714.500-501-502-530-531-532-533-534-535-536

G4/95-7/11,0      714.640-641-642-643-644-650-651-652-653-654-655

Fig.	no.	Rif. MB	Description	Q.ty	Note	G4/65-7/11,0	G4/95-7/11,0			
20		387 262 2035	Synchronizer Hub	1			●			
21		387 262 1523	Sliding Sleeve	1	(CE)	●	●			
21		M387 262 1523	Sliding Sleeve	1	(CE) LONG LIFE	●	●			
21		387 262 1423	Sliding Sleeve	1	(DF)	●	●			
21		M387 262 1423	Sliding Sleeve	1	(DF) LONG LIFE	●	●			
22		387 262 2514	Gear 4th Speed	1	(C)	●				
22		387 262 4214	Gear 4th Speed	1	(D)	●				
22		387 262 2814	Gear 4th Speed 25 T	1	(E)		●			
22		387 262 4414	Gear 4th Speed	1	(F)		●			
23		009 981 1610	Needle Cage K85x93x37ZW	1		●				
23		010 981 9310	Needle Cage	1			●			
24		387 262 1805	Main Shaft	1		●				
24		387 262 1905	Main Shaft	1			●			
25		009 981 1610	Needle Cage K85x93x37ZW	1		●				
25		009 981 1810	Needle Cage 102x100x44	1			●			
26		387 262 3613	Gear 2nd Speed	1	(C)	●				
26		387 262 5113	Gear 3rd Speed	1	(D)	●				
26		387 262 3113	Gear 3rd Speed 34 D	1	(E)		●			
26		387 262 5013	Gear 3rd Speed	1	(F)		●			
27		387 262 0893	Elastic Ring	2		●	●			
28		389 262 0737	Synchronizer Ring	2		●	●			
28		389 262 3237	Synchronizer Ring	2	LONG LIFE	●	●			
29		389 262 0035	Synchronizer Hub	1	(C)	●				
29		389 262 3435	Synchronizer Hub	1	(D)	●				
29		387 262 0435	Synchronizer Hub	1	(E)		●			
29		387 262 3435	Synchronizer Hub	1	(F)		●			
30		387 262 0623	Sliding Sleeve	1	(CE)	●	●			
30		M387 262 0623	Sliding Sleeve	1	(CE) LONG LIFE	●	●			
30		387 262 1323	Sliding Sleeve	1	(DF)	●	●			
30		M387 262 1323	Sliding Sleeve	1	(DF) LONG LIFE	●	●			
31		387 262 2412	Gear 2nd Speed	1	(C)	●				
31		387 262 3712	Gear 2nd Speed	1	(D)	●				
31		387 262 1912	Gear 2nd Speed	1	(E)(G)(1)		●			
31		387 262 2912	Gear 2nd Speed	1	(E)(H)(1)		●			
31		387 262 4012	Gear 2nd Speed	1	(F)(H)(1)		●			
32		010 981 1210	Needle Cage 75,5x82,5x39,5	1		●				
32		021 981 9410	Needle Cage 85x93x45W	1			●			
33		389 265 2349	Slide Fork	2	BRASS	●	●			
33		M389 265 2349	Slide Fork	2	IRON	●	●			
34		387 262 1511	Gear 1st Speed	1		●				
34		387 262 1811	Gear 1st Speed	1	(G)		●			
34		387 262 2211	Gear 1st Speed	1	(H)		●			
35		389 265 2349	Slide Fork	2	BRASS	●	●			
35		M389 265 2349	Slide Fork	2	IRON	●	●			
36		009 981 3110	Needle Cage	1		●				

## Notes

- (A) G4/65 Up to gearbox 157730  
 (B) G4/65 From gearbox 157731  
 (C) G4/65 Up to gearbox 345691  
 (D) G4/65 From gearbox 345692  
 (E) G4/95 Up to gearbox 348399  
 (F) G4/95 From gearbox 348400  
 (G) G4/95 Up to gearbox 088676  
 (H) G4/95 From gearbox 088677  
 (I) Use with Note E or Note F for synchro parts and Note G or Note H for other parts

## Date

04 / 2011

## Table

0070

7 Speeds  
G4/65-95

Adattabile a : **MERCEDES**  
Suitable To :

Modelli Cambio/ Gearbox Models  
G4/65 - G4/95 (7 Speeds)

G4/65 - G4/95  
7 Speeds

**Models**

MK - SK - LK

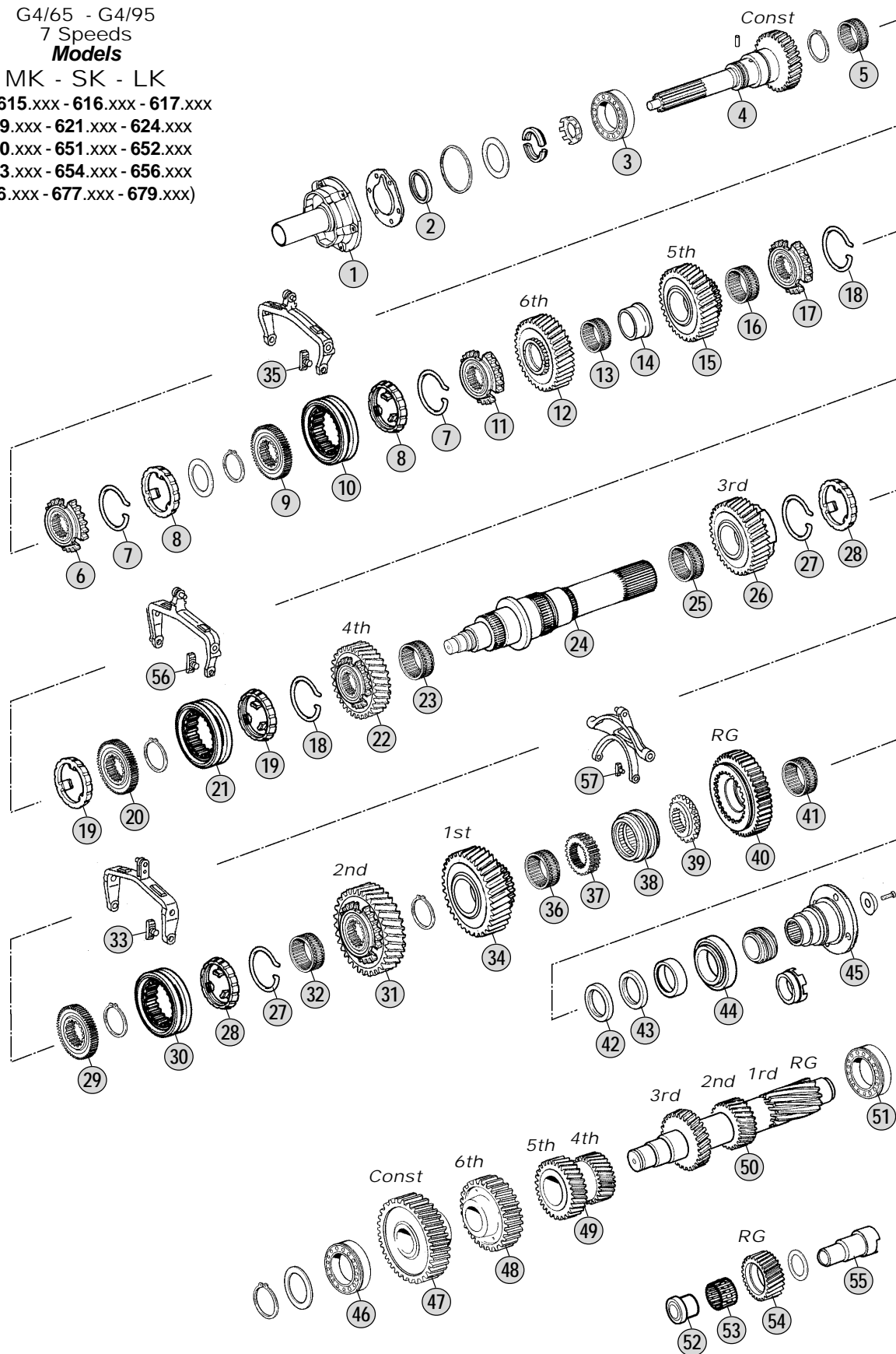
(CH 615.xxx - 616.xxx - 617.xxx

619.xxx - 621.xxx - 624.xxx

650.xxx - 651.xxx - 652.xxx

653.xxx - 654.xxx - 656.xxx

676.xxx - 677.xxx - 679.xxx)



**Models**

G4/65-7/11,0      714.500-501-502-530-531-532-533-534-535-536

G4/95-7/11,0      714.640-641-642-643-644-650-651-652-653-654-655



Fig.	no.	Rif. MB	Description	Q.ty	Note	G4/65-7/11,0	G4/95-7/11,0			
36		010 981 9210	Needle Cage	1			●			
37		387 262 0236	Synchronizer Hub	1		●				
37		387 262 0136	Synchronizer Hub	1	(G)		●			
37		387 262 2935	Synchronizer hub	1	(H)		●			
38		387 262 0323	Sliding Sleeve	1		●	●			
39		387 262 0140	Hub	1		●				
39		387 262 0040	Hub	1	(G)		●			
39		387 262 0240	Hub	1	(H) With 147.185		●			
39		387 262 0440	Hub	1	(H) With 147.184		●			
40		387 262 0433	Reverse Gear	1		●				
40		387 262 0733	Reverse Gear	1	(G)		●			
40		387 262 1433	Reverse Gear	1	(H) With 157.637		●			
40		387 262 1733	Reverse Gear	1	(H) With 157.638		●			
41		009 981 0110	Needle Cage 65x71x34,5	1		●				
41		010 981 1210	Needle Cage 75,5x82,5x39,5	1			●			
42		020 997 9947	Oil Seal 80x110x10	1		●	●			
43		023 997 8547	Oil Seal 80x100x12	1		●	●			
44		008 981 8901	Bearing	1		●				
44		008 981 5301	Bearing 65x140x39,5	1			●			
45		387 262 0345	Output Flange D.150	1	714.500-501-530-531-532	●				
45		387 262 0845	Output Flange D.150	1	714.502-533-534-535-536	●				
45		387 262 1045	Output Flange D.150	1	714.641/2/3/4-714.652/3/4/5		●			
45		387 262 0145	Output Flange D.150	1	714.650-651		●			
45		387 262 0745	Output Flange D.165	1	714.640		●			
46		001 981 3105	Bearing 40x90x26	1		●				
46		009 981 3105	Bearing 60x100x35,5	1			●			
47		387 263 1210	Constant Gear	1		●				
47		387 263 1310	Constant Gear	1	Excl. 714.643		●			
47		387 263 2710	Constant Gear	1	Only 714.643		●			
48		387 263 0416	Gear 6th Speed	1		●				
48		387 263 0316	Gear 6th Speed	1			●			
49		387 263 0514	Double Gear 5th/4th Speed	1		●				
49		387 263 0614	Double Gear 5th/4th Speed	1	Excl. 714.643		●			
49		387 263 0914	Double Gear 5th/4th Speed	1	Only 714.643		●			
50		387 263 2602	Countershaft	1		●				
50		387 263 2702	Countershaft	1	(G)		●			
50		387 263 3002	Countershaft 18/13/11 T	1	(H)		●			
51		010 981 5905	Bearing 45x100x27,5	1		●	●			
52		387 263 0750	Bush	1		●				
52		387 263 0650	Bush	1	(G)		●			
52		387 263 1150	Bush	1	(H)		●			
53		010 981 5110	Needle Cage	1		●	●			
54		387 263 1031	Reverse Gear 21 T	1		●				
54		387 263 1431	Reverse Gear	1	(G)		●			
54		387 263 1831	Reverse Gear	1	(H)		●			

## Notes

- (A) G4/65 Up to gearbox 157730 (B) G4/65 From gearbox 157731  
 (C) G4/65 Up to gearbox 345691 (D) G4/65 From gearbox 345692  
 (E) G4/95 Up to gearbox 348399 (F) G4/95 From gearbox 348400  
 (G) G4/95 Up to gearbox 088676 (H) G4/95 From gearbox 088677  
 (I) Use with Note E or Note F for synchro parts and Note G or Note H for other parts

## Date

04 / 2011

## Table

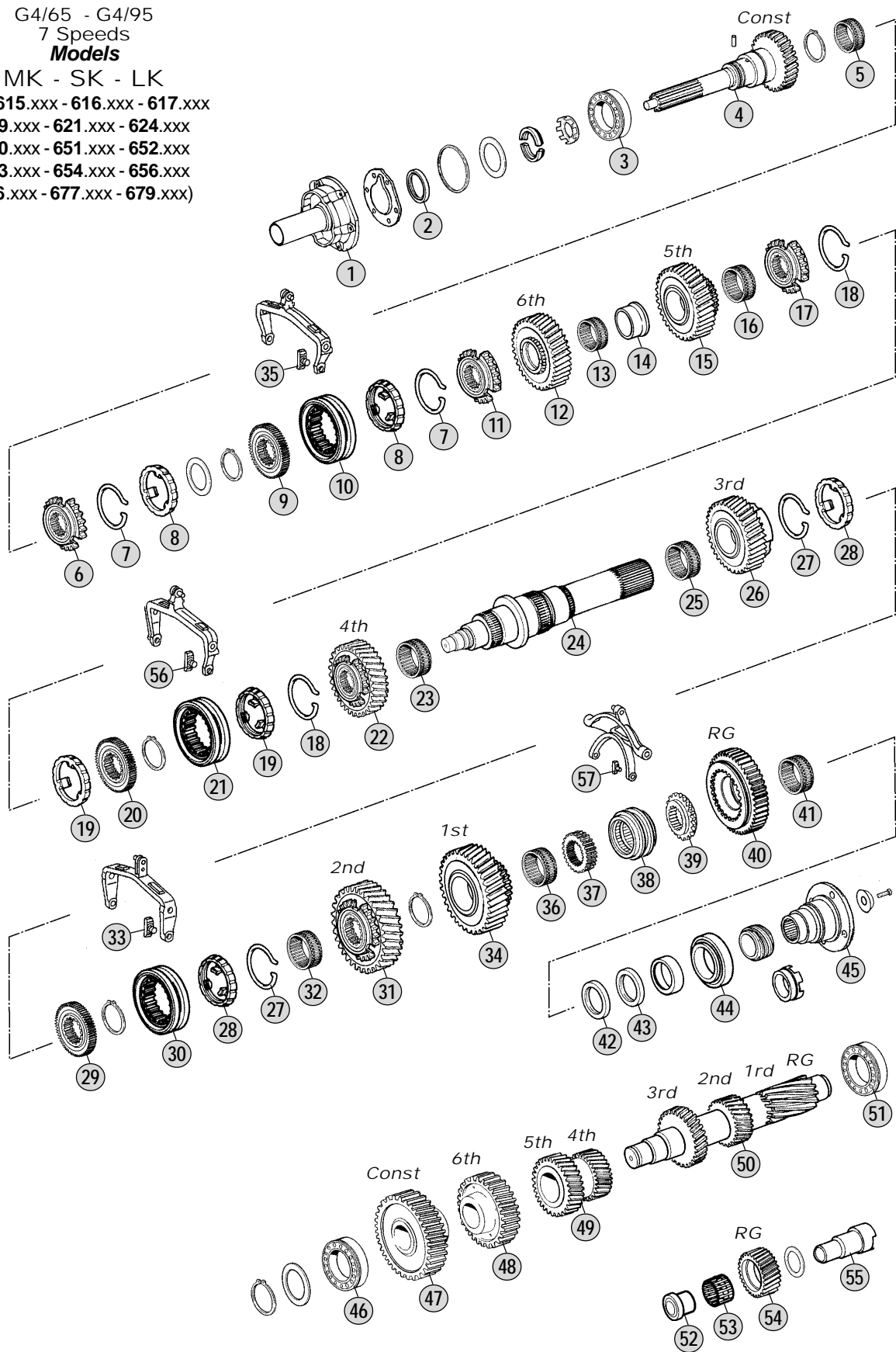
0070



Adattabile a : **MERCEDES**  
 Suitable To :

Modelli Cambio/ Gearbox Models  
 G4/65 - G4/95 (7 Speeds)

G4/65 - G4/95  
 7 Speeds  
**Models**  
 MK - SK - LK  
 (CH 615.xxx - 616.xxx - 617.xxx  
 619.xxx - 621.xxx - 624.xxx  
 650.xxx - 651.xxx - 652.xxx  
 653.xxx - 654.xxx - 656.xxx  
 676.xxx - 677.xxx - 679.xxx)



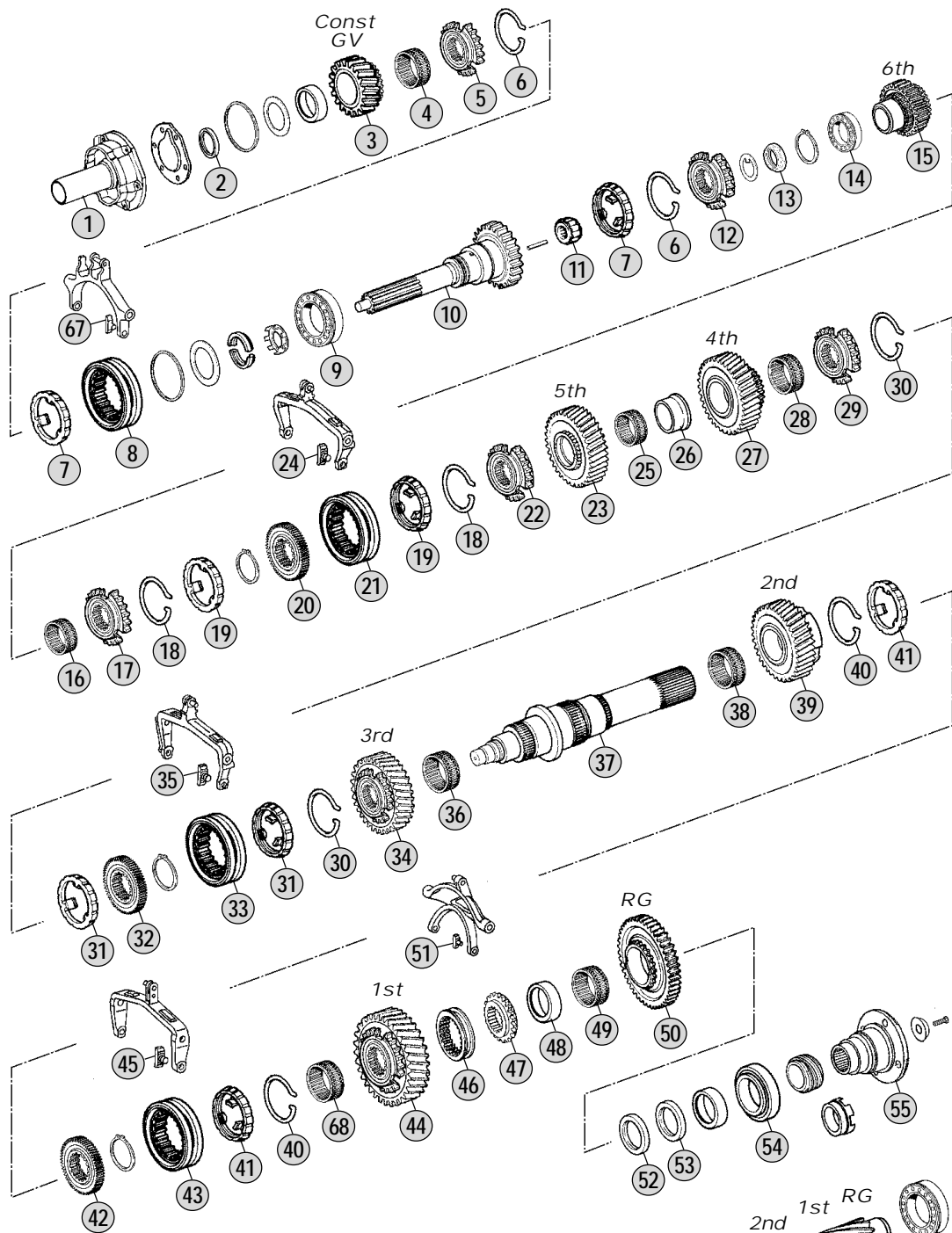
**Models**

G4/65-7/11,0      714.500-501-502-530-531-532-533-534-535-536

G4/95-7/11,0      714.640-641-642-643-644-650-651-652-653-654-655



Adattabile a : **MERCEDES**  
 Suitable To :



CHASSIS  
 GV4/65  
 12 Speeds

**Models**

MK - SK - LK

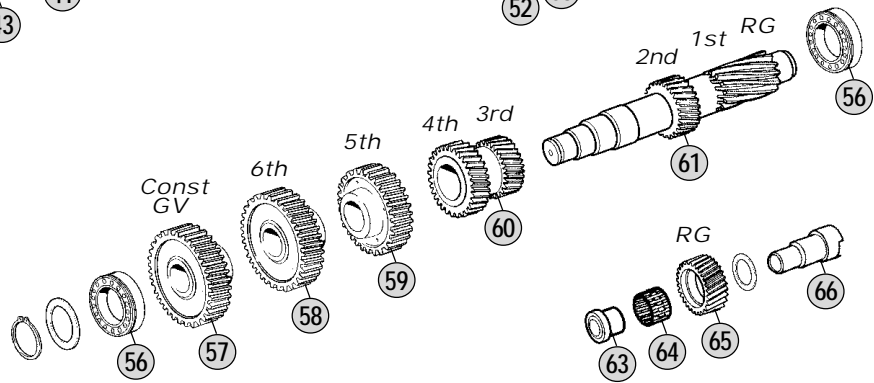
(CH 615.xxx - 616.xxx - 617.xxx

619.xxx - 621.xxx - 624.xxx

650.xxx - 651.xxx - 652.xxx

653.xxx - 654.xxx - 656.xxx

676.xxx - 677.xxx - 679.xxx)



Models

GV4/65-6/12,0 714.680-681-682-683-688-689

Fig.	no.	Rif. MB	Description	Q.ty	Note	GV4/65 - 6/12,0			
1		387 261 2418	Front Cover	1	Up to Gearbox 157730	●			
1		387 261 2018	Front Cover	1	From Gearbox 157731	●			
2		015 997 0347	Seal Ring Th.8(64x45) mm	1		●			
3		387 262 0110	Constant Gear GV 23 T	1		●			
4		010 981 1510	Needle Cage 69x75,5x46,5	1		●			
5		387 262 2934	Synchronizer Cone	1		●			
6		387 262 1093	Elastic Ring	2		●			
7		389 262 0637	Synchronizer Ring	2		●			
7		389 262 3137	Synchronizer Ring	2	LONG LIFE	●			
8		387 262 1523	Sliding Sleeve	1		●			
8		M387 262 1523	Sliding Sleeve	1	LONG LIFE	●			
9		008 981 9501	Bearing	1	Up to Gearbox 157730	●			
9		007 981 2001	Bearing 60x110x22	1	From Gearbox 157731	●			
10		387 260 6420	Input Shaft	1		●			
11		001 981 9412	Bearing 31x51x30,8	1		●			
12		387 262 3034	Synchronizer Cone	1		●			
13		387 990 0251	Nut	1		●			
14		003 981 9125	Bearing	1		●			
15		387 262 0710	Gear 5th Speed 20 T	1		●			
16		010 981 4910	Needle Cage 53x65x56	1		●			
17		387 262 5334	Synchronizer Cone	1		●			
18		387 262 1093	Elastic Ring	2		●			
19		389 262 0637	Synchronizer Ring	2		●			
19		389 262 3137	Synchronizer Ring	2	LONG LIFE	●			
20		387 262 2135	Synchronizer Hub	1		●			
21		387 262 1523	Sliding Sleeve	1		●			
21		M387 262 1523	Sliding Sleeve	1	LONG LIFE	●			
22		387 262 2534	Synchronizer Cone	1		●			
23		387 262 0515	Gear 5th Speed 22 T	1		●			
24		389 265 2349	Slide Fork	2	BRASS	●			
24		M389 265 2349	Slide Fork	2	IRON	●			
25		010 981 1210	Needle Cage 75,5x82,5x39,5	1		●			
26		387 262 0950	Bush H=45,00 mm	1		●			
27		387 262 4114	Gear 4th Speed 24 T	1		●			
28		010 981 4410	Needle Cage 74x82x30	1		●			
29		389 262 5634	Synchronizer Cone	1	(A)	●			
29		389 262 5934	Synchronizer Cone	1	(B)	●			
30		387 262 1093	Elastic Ring	2		●			
31		389 262 0637	Synchronizer Ring	2		●			
31		389 262 3137	Synchronizer Ring	2	LONG LIFE	●			
32		387 262 2335	Synchronizer Hub	1		●			
33		387 262 1523	Sliding Sleeve	1	(A)	●			
33		M387 262 1523	Sliding Sleeve	1	(A) LONG LIFE	●			
33		387 262 1423	Sliding Sleeve	1	(B)	●			
33		M387 262 1423	Sliding Sleeve	1	(B) LONG LIFE	●			

## Notes

(A) GV4/65 Up to gearbox 345971

(B) G4/65 From gearbox 345972

## Date

04 / 2011

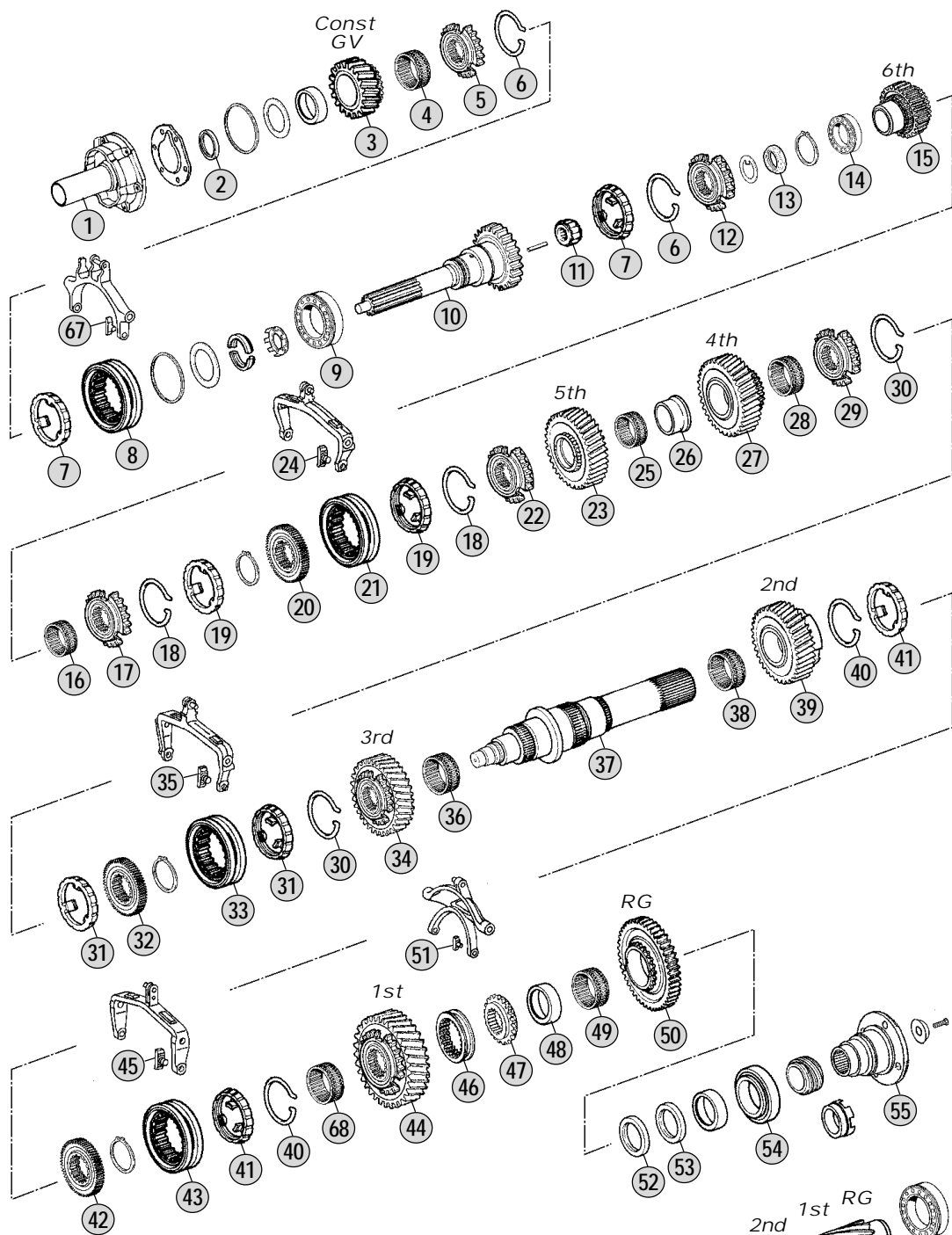
## Table

0080

12 Speeds  
GV4/65

Adattabile a : **MERCEDES**  
 Suitable To :

Modelli Cambio/ Gearbox Models  
**GV4/65 (12 Speeds)**

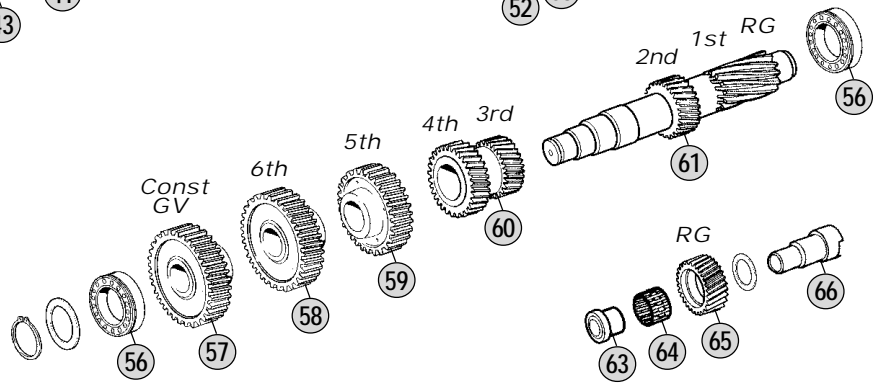


CHASSIS  
 GV4/65  
 12 Speeds

**Models**

MK - SK - LK

- (CH 615.xxx - 616.xxx - 617.xxx
- 619.xxx - 621.xxx - 624.xxx
- 650.xxx - 651.xxx - 652.xxx
- 653.xxx - 654.xxx - 656.xxx
- 676.xxx - 677.xxx - 679.xxx)



**Models**

GV4/65-6/12,0 714.680-681-682-683-688-689

Fig.	no.	Rif. MB	Description	Q.ty	Note	GV4/65 - 6/12,0			
34		387 262 2713	Gear 3rd Speed 30 T	1	(A)	●			
34		387 262 4613	Gear 3rd Speed 30 T	1	(B)	●			
35		389 265 2349	Slide Fork	2	BRASS	●			
35	M	389 265 2349	Slide Fork	2	IRON	●			
36		019 981 1510	Needle Cage 85x93x40	1		●			
37		387 262 0905	Main Shaft	1		●			
38		010 981 1210	Needle Cage 75,5x82,5x39,5	1		●			
39		387 262 0412	Gear 2nd Speed 38 T	1	(A)	●			
39		387 262 3312	Gear 2nd Speed 38 T	1	(B)	●			
40		387 262 0893	Elastic Ring	2		●			
41		389 262 0737	Synchronizer Ring	2		●			
41		389 262 3237	Synchronizer Ring	2	LONG LIFE	●			
42		387 262 0735	Synchronizer Hub	1	(A)	●			
42		387 262 3535	Synchronizer Hub	1	(B)	●			
43		387 262 0623	Sliding Sleeve	1	(A)	●			
43	M	387 262 0623	Sliding Sleeve	1	(A) LONG LIFE	●			
43		387 262 1323	Sliding Sleeve	1	(B)	●			
43	M	387 262 1323	Sliding Sleeve	1	(B) LONG LIFE	●			
44		387 262 0411	Gear 1st Speed 50 T	1	(A)	●			
44		387 262 3011	Gear 1st Speed 50 T	1	(B)	●			
45		389 265 2349	Slide Fork	2	BRASS	●			
45	M	389 265 2349	Slide Fork	2	IRON	●			
46		387 262 0023	Sliding Sleeve	1		●			
47		387 262 0335	Synchronizer Hub	1		●			
48		387 262 0850	Bush	1		●			
49		010 981 1710	Needle Cage 66,5x73,5x29,5	1		●			
50		387 262 0533	Reverse Gear 47 T	1		●			
51		945 265 0149	Slide Fork	2		●			
52		020 997 9947	Oil Seal 80x110x10	1		●			
53		023 997 8547	Oil Seal 80x100x12	1		●			
54		004 981 5525	Bearing	1		●			
55		387 262 0345	Output Flange D.150	1	714.680-681-683-689	●			
55		387 262 0845	Output Flange D.150	1	714.682-688	●			
56		010 981 5905	Bearing 45x100x27,5	2		●			
57		387 263 1410	Constant Gear GV 41 T	1		●			
58		387 263 0110	Constant Gear 43 T	1		●			
59		387 263 0115	Gear 5th Speed 34 T	1		●			
60		387 263 0713	Double Gear 25/21 T	1		●			
61		387 263 1102	Countershaft 16/12 T	1		●			
63		387 263 0850	Bush	1		●			
64		010 981 5110	Needle Cage	1		●			
65		387 263 1131	Reverse Gear 21 T	1		●			
66		387 263 0630	Reverse Shaft	1		●			
67		389 265 2449	Slide Fork	2		●			
68		009 981 0110	Needle Cage 65x71x34,5	1		●			

## Notes

(A) GV4/65 Up to gearbox 345971

(B) G4/65 From gearbox 345972

## Date

04 / 2011

## Table

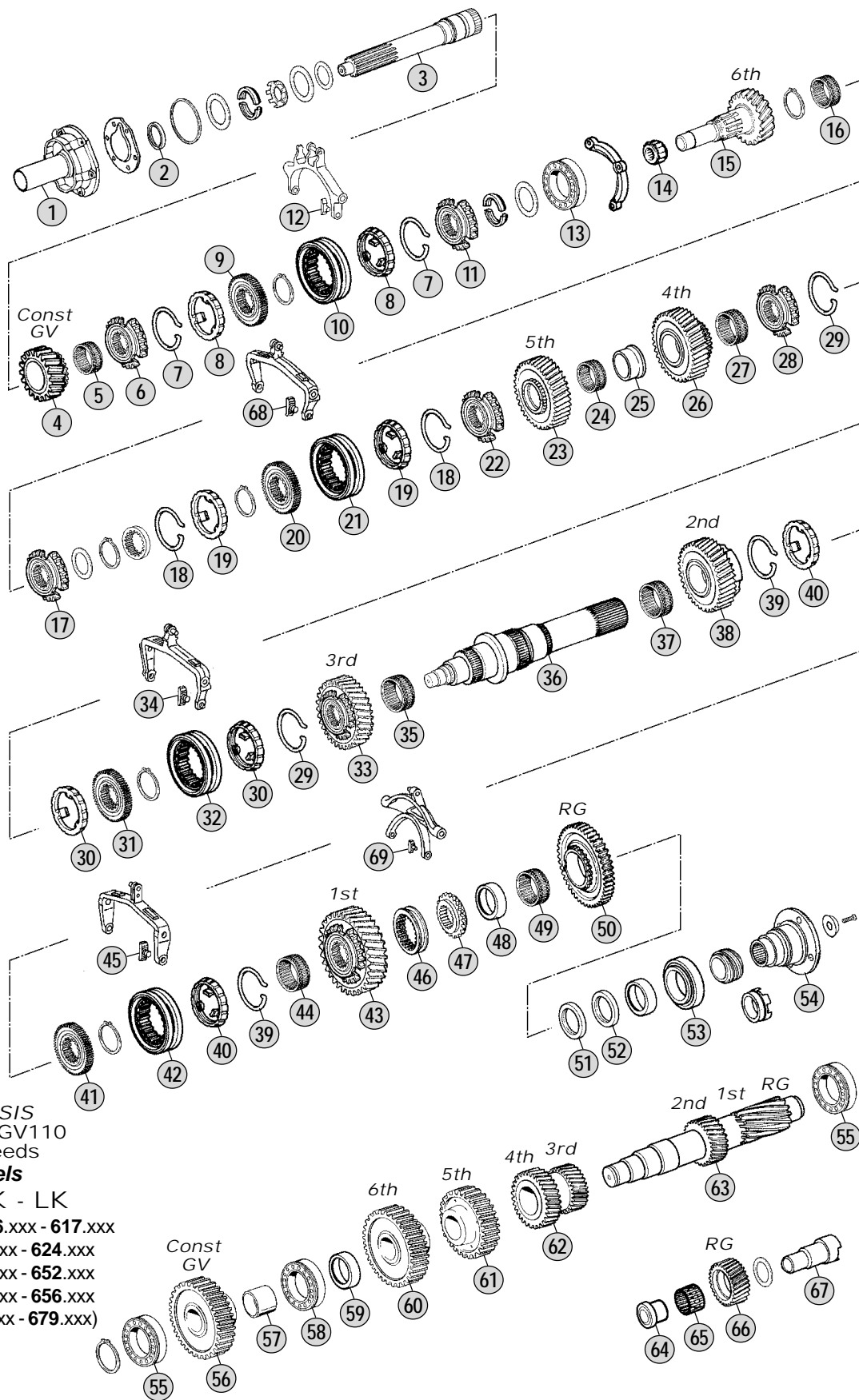
0080

12 Speeds  
GV4/65



Adattabile a : **MERCEDES**  
 Suitable To :

Modelli Cambio/ Gearbox Models  
**GV4/95 - 110 (12 Speeds)**



CHASSIS  
 GV4/95 - GV110  
 12 Speeds

**Models**

MK - SK - LK

(CH 615.xxx - 616.xxx - 617.xxx

619.xxx - 621.xxx - 624.xxx

650.xxx - 651.xxx - 652.xxx

653.xxx - 654.xxx - 656.xxx

676.xxx - 677.xxx - 679.xxx)

**Models**

GV4/95-6/9,0      714.607-608-609    715.108-109

GV4/110-6/9,0    714.625-627-628-629-634-635-639-661-662-663-665-666-672-673    715.120

Fig.	no.	Rif. MB	Description	Q.ty	Note	GV4/95-6/9,0	GV4/110-6/9,0			
1		387 261 2218	Front Cover	1	714.608-609	●				
1		389 261 0018	Front Cover	1	715.109	●				
1		387 261 2918	Front Cover	1	714.607-715.108	●				
1		387 261 2218	Front Cover	1	714.628/9-634/5/9-661/2/3/5/6		●			
1		389 261 0018	Front Cover	1	714.627-672-673-715.120		●			
1		387 261 2918	Front Cover	1	714.625		●			
2		015 997 0347	Seal Ring Th.8(64x45) mm	1	To 387 261 2218	●	●			
2		024 997 3047	Seal Ring 52x68x8 mm	1	To 398 261 0018/387 261 291	●	●			
3		387 262 1301	Input Shaft GV	1	714.608-609	●				
3		387 262 1501	Input Shaft	1	715.109	●				
3		387 262 1801	Input Shaft	1	714.607-715.108	●				
3		387 262 1301	Input Shaft GV	1	714.628/9-634/5/9-661/2/3/5/6		●			
3		387 262 1501	Input Shaft	1	714.627-672-673-715.120		●			
3		387 262 1801	Input Shaft	1	714.625		●			
4		387 262 0010	Constant Gear GV 23 T	1		●	●			
5		009 981 4510	Needle Cage 68x76x55	1		●	●			
6		387 262 3234	Synchronizer Cone	1		●	●			
7		387 262 1093	Elastic Ring	2		●	●			
8		389 262 0637	Synchronizer Ring	2		●	●			
8		389 262 3137	Synchronizer Ring	2	LONG LIFE	●	●			
9		387 262 2835	Synchronizer Hub	1		●	●			
10		387 262 1523	Sliding Sleeve	1		●	●			
10		M387 262 1523	Sliding Sleeve	1	LONG LIFE	●	●			
11		387 262 3634	Synchronizer Cone	1		●	●			
12		389 265 2449	Slide Fork	2	BRASS	●	●			
12		M389 265 2449	Slide Fork	2	IRON	●	●			
13		008 981 5201	Bearing 65x140x33	1		●	●			
14		001 981 8912	Bearing 34x45x24	1		●	●			
15		387 262 2202	Input Shaft 20 T	1		●				
15		387 262 2402	Input Shaft 20 T	1			●			
16		002 981 1312	Needle Cage 40x60x28	1		●	●			
17		387 262 5034	Synchronizer Cone	1		●	●			
18		387 262 1093	Elastic Ring	2		●	●			
19		389 262 0637	Synchronizer Ring	2		●	●			
19		389 262 3137	Synchronizer Ring	2	LONG LIFE	●	●			
20		387 262 2135	Synchronizer Hub	1		●	●			
21		387 262 1523	Sliding Sleeve	1		●	●			
21		M387 262 1523	Sliding Sleeve	1	LONG LIFE	●	●			
22		389 262 5634	Synchronizer Cone	1		●	●			
23		387 262 2015	Gear 4th Speed 22 T	1		●				
23		387 262 2315	Gear 4th Speed 22 T	1			●			
24		009 981 1410	Needle Cage 75x83x48	1		●				
24		008 981 8310	Needle Cage 75x83x55W	1			●			
25		387 262 0550	Bush H=54,00 mm	1		●				
25		387 262 0150	Bush H=61,00 mm	1			●			

## Notes

- (A) GV4/95 Up to gearbox 348399 (B) G4/95 From gearbox 348400  
 (C) GV4/110 Up to gearbox 355346 (D) GV4/110 From gearbox 355347  
 GV4/110 Only 715.120 Up to gearbox 348399 GV4/110 Only 715.120 From gearbox 348400  
 (E) GV4/95 Up to gearbox 124518 (F) G4/95 From gearbox 124519

## Date

04 / 2011

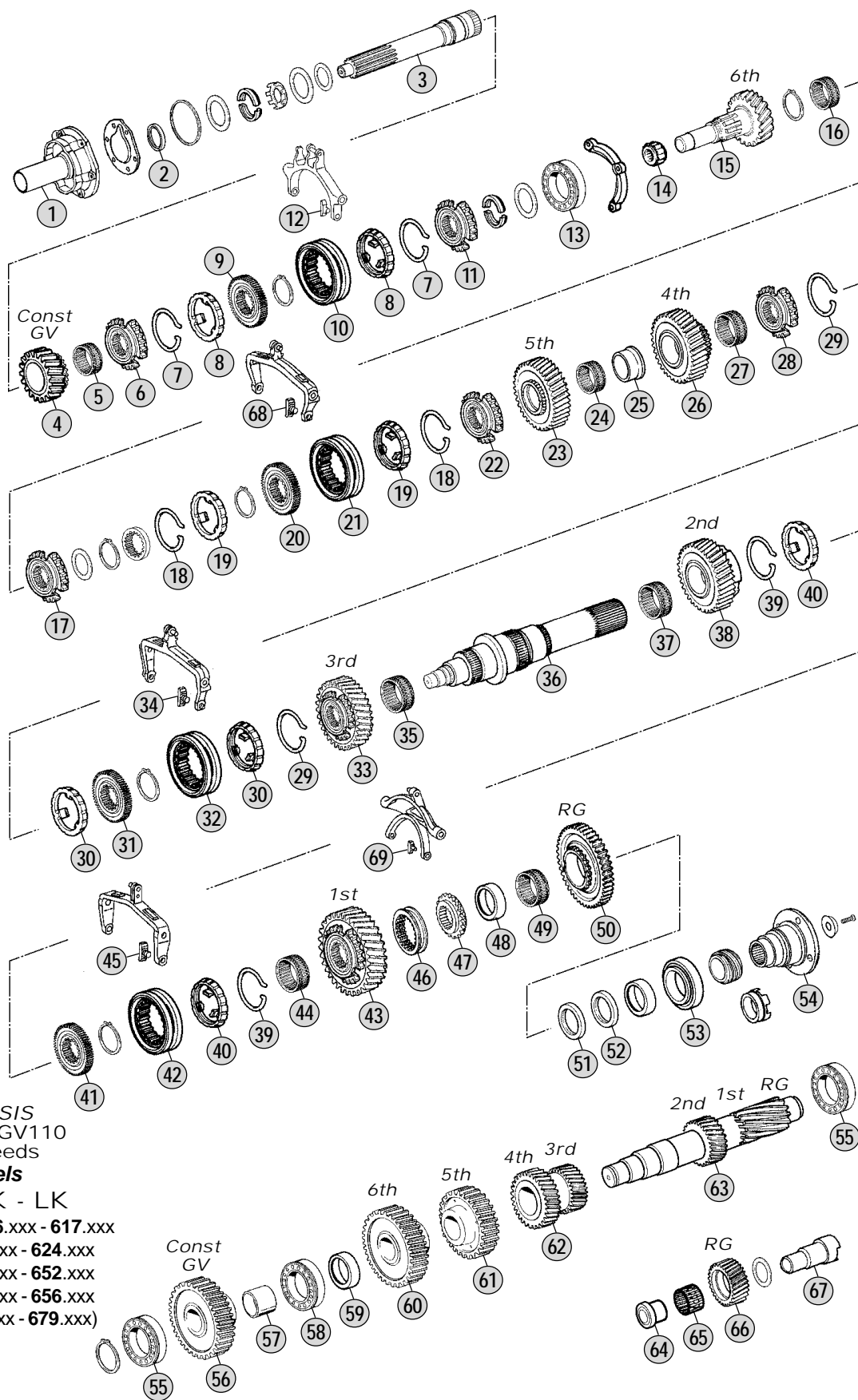
## Table

0090

12 Speeds  
GV4/95 - GV4/110

Adattabile a : **MERCEDES**  
 Suitable To :

Modelli Cambio/ Gearbox Models  
**GV4/95 - 110 (12 Speeds)**



CHASSIS  
 GV4/95 - GV110  
 12 Speeds

**Models**

MK - SK - LK

(CH 615.xxx - 616.xxx - 617.xxx

619.xxx - 621.xxx - 624.xxx

650.xxx - 651.xxx - 652.xxx

653.xxx - 654.xxx - 656.xxx

676.xxx - 677.xxx - 679.xxx)

**Models**

GV4/95-6/9,0      714.607-608-609    715.108-109

GV4/110-6/9,0    714.625-627-628-629-634-635-639-661-662-663-665-666-672-673    715.120

Fig.	no.	Rif. MB	Description	Q.ty	Note	GV4/95-6/9,0	GV4/110-6/9,0			
26		387 262 3514	Gear 3rd Speed 24 T	1		●				
26		387 262 3814	Gear 3rd Speed 24 T	1	Excluded 715.120		●			
26		387 262 4514	Gear 4th Speed 24 T	1	Only 715.120		●			
27		009 981 1510	Needle Cage K78x86x35ZW	1		●				
27		008 981 9910	Needle Cage 78x86x40	1			●			
28		387 262 4534	Synchronizer Cone	1	(AC)	●	●			
28		387 262 4834	Synchronizer Cone	1	(BD)	●	●			
29		387 262 1093	Elastic Ring	2		●	●			
30		389 262 0637	Synchronizer Ring	2		●	●			
30		389 262 3137	Synchronizer Ring	2	LONG LIFE	●	●			
31		387 262 2035	Synchronizer Hub	1		●	●			
32		387 262 1523	Sliding Sleeve	1	(AC)	●	●			
32		M387 262 1523	Sliding Sleeve	1	(AC) LONG LIFE	●	●			
32		387 262 1423	Sliding Sleeve	1	(BD)	●	●			
32		M387 262 1423	Sliding Sleeve	1	(BD) LONG LIFE	●	●			
33		387 262 1813	Gear 2nd Speed 30 T	1	(A)	●				
33		387 262 4413	Gear 2nd Speed 30 T	1	(B)	●				
33		387 262 0813	Gear 3rd Speed 30 T	1	(C)		●			
33		387 262 5313	Gear 2nd Speed 30 T	1	(D)		●			
34		389 265 2349	Slide Fork	2	BRASS	●	●			
34		M389 265 2349	Slide Fork	2	IRON	●	●			
35		009 981 1710	Needle Cage 93x99x44	1		●				
35		007 981 5510	Needle Cage 92x100x49,5	1			●			
36		387 262 2105	Main Shaft	1	(E)	●				
36		387 262 2405	Main Shaft	1	(F)	●				
36		387 262 2005	Main Shaft	1			●			
37		009 981 1810	Needle Cage 102x100x44	1		●				
37		008 981 9710	Needle Cage 102,5x109,5x49	1			●			
38		387 262 0812	Gear 1st Speed 38 T	1	(A)	●				
38		387 262 3412	Gear 1st Speed 38 T	1	(B)	●				
38		387 262 0212	Gear 2nd Speed 38 T	1	(C)		●			
38		387 262 3212	Gear 2nd Speed 38 T	1	(D)		●			
39		387 262 0893	Elastic Ring	2		●	●			
40		389 262 0737	Synchronizer Ring	2		●	●			
40		389 262 3237	Synchronizer Ring	2	LONG LIFE	●	●			
41		387 262 0435	Synchronizer Hub	1	(AC)	●	●			
41		387 262 3435	Synchronizer Hub	1	(BD)	●	●			
42		387 262 0623	Sliding Sleeve	1	(AC)	●	●			
42		M387 262 0623	Sliding Sleeve	1	(AC) LONG LIFE	●	●			
42		387 262 1323	Sliding Sleeve	1	(BD)	●	●			
42		M387 262 1323	Sliding Sleeve	1	(BD) LONG LIFE	●	●			
43		387 262 0911	Gear 1st Speed 50 T	1	(A)	●				
43		387 262 2611	Gear 1st Speed 50 T	1	(B)	●				
43		387 262 0211	Gear 1st Speed 50 T	1	(C)		●			
43		387 262 2511	Gear 1st Speed 50 T	1	(D)		●			

## Notes

- (A) GV4/95 Up to gearbox 348399 (B) G4/95 From gearbox 348400  
 (C) GV4/110 Up to gearbox 355346 (D) GV4/110 From gearbox 355347  
 GV4/110 Only 715.120 Up to gearbox 348399 GV4/110 Only 715.120 From gearbox 348400  
 (E) GV4/95 Up to gearbox 124518 (F) G4/95 From gearbox 124519

## Date

04 / 2011

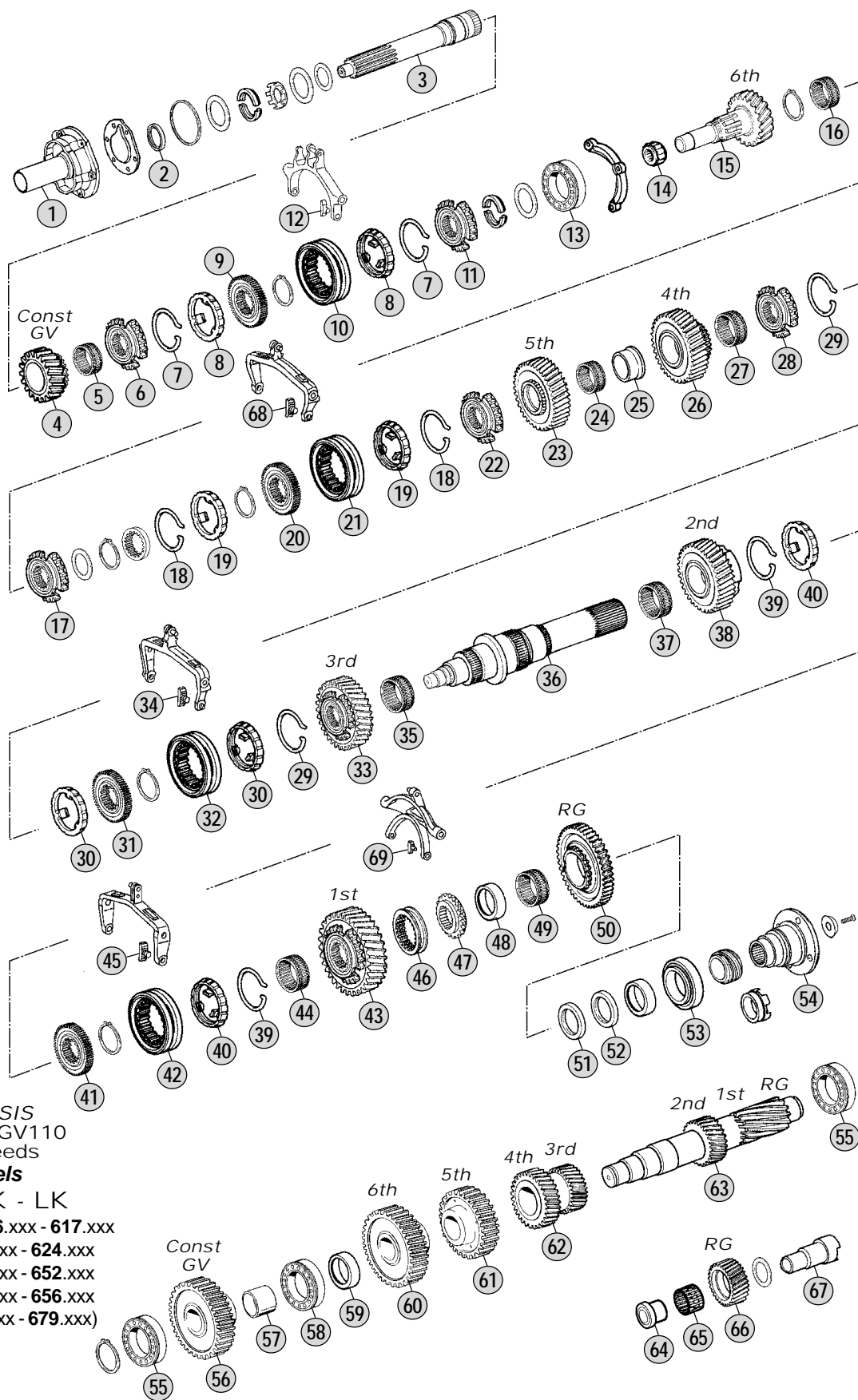
## Table

0090

12 Speeds  
GV4/95 - GV4/110

Adattabile a : **MERCEDES**  
 Suitable To :

Modelli Cambio/ Gearbox Models  
**GV4/95 - 110 (12 Speeds)**



CHASSIS  
 GV4/95 - GV110  
 12 Speeds

**Models**

MK - SK - LK

(CH 615.xxx - 616.xxx - 617.xxx

619.xxx - 621.xxx - 624.xxx

650.xxx - 651.xxx - 652.xxx

653.xxx - 654.xxx - 656.xxx

676.xxx - 677.xxx - 679.xxx)

**Models**

GV4/95-6/9,0      714.607-608-609    715.108-109

GV4/110-6/9,0    714.625-627-628-629-634-635-639-661-662-663-665-666-672-673    715.120



Fig.	no.	Rif. MB	Description	Q.ty	Note				
						GV4/95-6/9,0	GV4/110-6/9,0		
44		009 981 1610	Needle Cage K85x93x37ZW	1		●			
44		021 981 9410	Needle Cage 85x93x45W	1			●		
45		389 265 2349	Slide Fork	2	BRASS	●	●		
45	M	389 265 2349	Slide Fork	2	IRON	●	●		
46		387 262 0023	Sliding Sleeve	1		●	●		
47		387 262 0036	Synchronizer Hub	1	(E)	●			
47		387 262 0436	Synchronizer Hub	1	(F)	●			
47		387 262 0036	Synchronizer Hub	1			●		
48		387 262 1550	Bush	1	(E)	●			
48		387 262 1450	Bush	1			●		
49		009 981 1610	Needle Cage K85x93x37ZW	1	(E)	●			
49		021 981 5710	Needle Cage 75x83x33W	1	(F)	●			
49		021 981 9410	Needle Cage 85x93x45W	1			●		
50		387 262 0233	Reverse Gear 47 T	1	(E)	●			
50		387 262 1033	Reverse Gear 47 T	1	(F)	●			
50		387 262 0033	Reverse Gear 47 T	1			●		
51		020 997 9947	Oil Seal 80x110x10	1		●	●		
52		023 997 8547	Oil Seal 80x100x12	1		●	●		
53		008 981 5301	Bearing 65x140x39,5	1		●	●		
54		387 262 1045	Output Flange D.150	1		●	●		
54		387 262 0745	Output Flange D.165	1		●	●		
55		009 981 3105	Bearing 60x100x35,5	2		●	●		
56		387 263 2010	Constant Gear GV 41 T	1		●	●		
57		387 263 0050	Bush	1		●	●		
58		004 981 3601	Bearing	1		●	●		
59		387 263 0550	Bush	1		●	●		
60		387 263 1510	Constant Gear 43 T	1		●			
60		387 263 1810	Constant Gear 43 T	1			●		
61		387 263 0215	Gear 5th Speed 34 T	1		●			
61		387 263 0015	Gear 4th Speed 34 T	1			●		
62		387 263 0613	Double Gear 3rd/4th Sp.-25/21 T	1		●			
62		387 263 1313	Double Gear 3rd/4th Sp.-25/21 T	1			●		
63		387 263 2102	Countershaft	1		●			
63		387 263 2202	Countershaft 16/12 T	1			●		
64		387 263 0850	Bush	1		●			
64		387 263 0950	Bush	1	Old Type		●		
64		387 263 1250	Bush	1	New Type		●		
65		010 981 5110	Needle Cage	1		●			
65		010 981 5210	Needle Cage	1			●		
66		387 263 1231	Reverse Gear	1		●			
66		387 263 0631	Reverse Gear 21 T	1			●		
67		387 263 0830	Reverse Shaft	1		●			
67		387 263 0530	Reverse Shaft	1	Old Type		●		
67		387 263 1430	Reverse Shaft	1	New Type		●		
68		389 265 2349	Slide Fork	2	BRASS	●	●		

## Notes

- (A) GV4/95 Up to gearbox 348399 (B) G4/95 From gearbox 348400  
 (C) GV4/110 Up to gearbox 355346 (D) GV4/110 From gearbox 355347  
 GV4/110 Only 715.120 Up to gearbox 348399 GV4/110 Only 715.120 From gearbox 348400  
 (E) GV4/95 Up to gearbox 124518 (F) G4/95 From gearbox 124519

## Date

04 / 2011

## Table

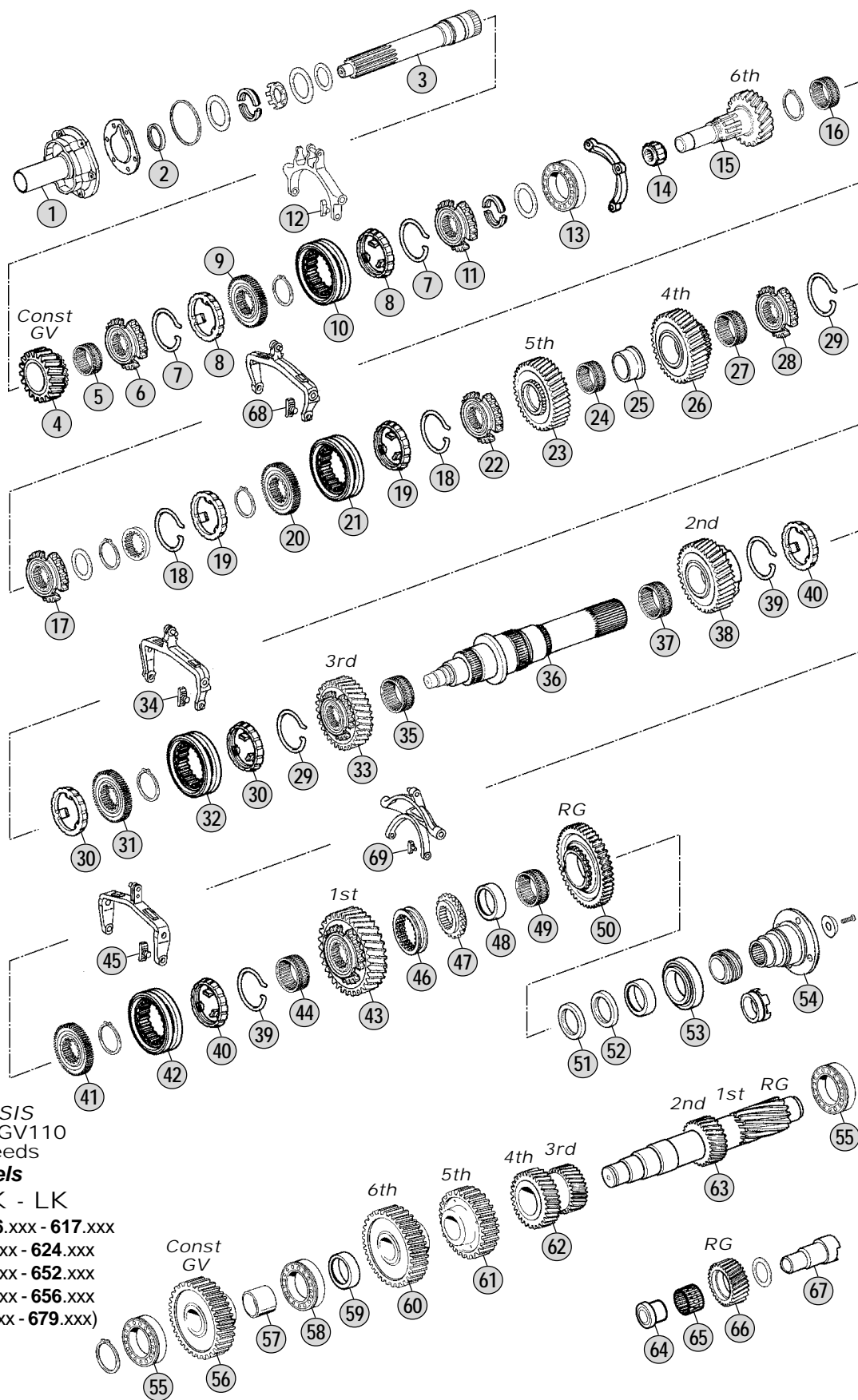
0090

12 Speeds  
GV4/95 - GV4/110



Adattabile a : **MERCEDES**  
 Suitable To :

Modelli Cambio/ Gearbox Models  
**GV4/95 - 110 (12 Speeds)**



CHASSIS  
 GV4/95 - GV110  
 12 Speeds

**Models**

MK - SK - LK

(CH 615.xxx - 616.xxx - 617.xxx

619.xxx - 621.xxx - 624.xxx

650.xxx - 651.xxx - 652.xxx

653.xxx - 654.xxx - 656.xxx

676.xxx - 677.xxx - 679.xxx)

**Models**

GV4/95-6/9,0      714.607-608-609    715.108-109

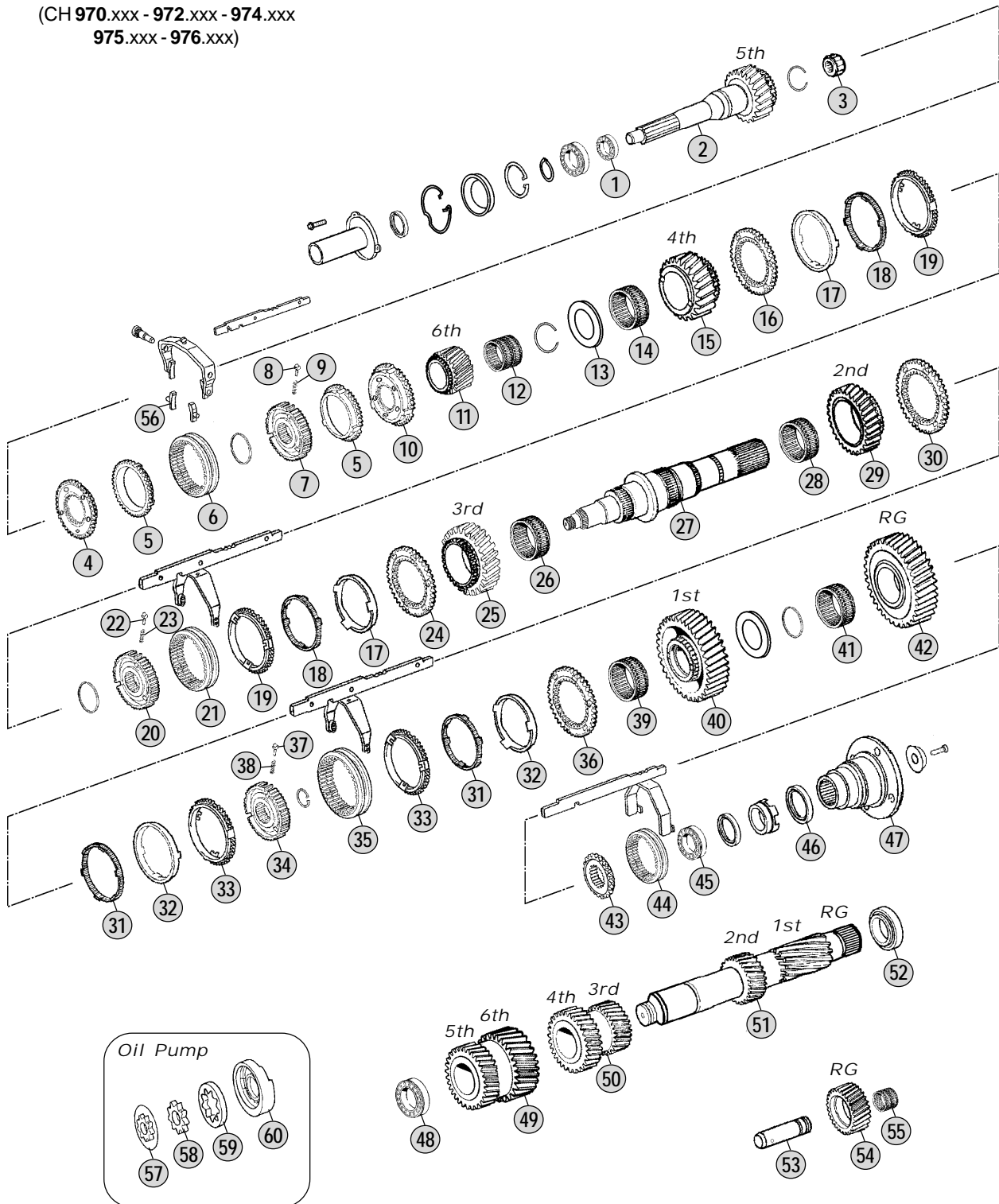
GV4/110-6/9,0    714.625-627-628-629-634-635-639-661-662-663-665-666-672-673    715.120



Adattabile a : **MERCEDES**  
Suitable To :

**G56** (6 Speeds)

**Models**  
ATEGO I - II  
(CH 970.xxx - 972.xxx - 974.xxx  
975.xxx - 976.xxx)



**Models**

G 56 - 6 712.610-611-612-613-615

Fig.	no.	Rif. MB	Description	Q.ty	Note	G 56 - 6				
1		017 981 3805	Bearing	1		●				
2		972 262 0602	Input Shaft 26 T	1		●				
2		971 262 2702	Input Shaft 26 T	1		●				
2		971 262 2902	Input Shaft 26 T	1		●				
2		971 262 3002	Input Shaft 26 T	1		●				
3		016 981 7105	Bearing	1		●				
4		971 262 0435	Synchronizer Cone	1		●				
5		970 262 3037	Synchronizer Ring	2		●				
6		971 262 1323	Sliding Sleeve	1		●				
7		971 262 0635	Synchronizer Hub	1		●				
8		970 262 0274	Pressure Piece	3		●				
9		970 993 6401	Spring	3		●				
10		971 262 0535	Synchronizer Cone	1		●				
11		974 262 0116	Gear 6th Speed	1		●				
12		003 981 2418	Needle Cage	1		●				
13		972 262 0262	Washer	1		●				
14		022 981 4210	Needle Cage	1		●				
15		974 262 0114	Gear 4th Speed	1		●				
16		971 262 0762	Synchronizer Cone	1		●				
17		972 262 0137	Synchronizer Ring Intermediate	2		●				
17		971 260 0945	Synchronizer Ring Intermediate	2		●				
18		972 262 0089	Synchronizer Ring Intermediate	2		●				
19		972 262 0337	Synchronizer Ring Outer	1		●				
20		972 262 0735	Synchronizer Hub	1		●				
21		971 262 1023	Sliding Sleeve	1		●				
22		970 262 0274	Pressure Piece	3		●				
23		970 993 6401	Spring	3		●				
24		971 262 0662	Synchronizer cone	1		●				
25		972 262 0713	Gear 3rd Speed	1		●				
26		022 981 4110	Needle Cage	1		●				
27		974 262 0005	Main Shaft	1	(A)	●				
27		971 262 0805	Main Shaft	1	(B)	●				
28		022 981 4010	Needle Cage	1		●				
29		972 262 0312	Gear 2nd Speed	1		●				
30		970 262 2534	Synchronizer Cone	1		●				
31		970 262 3134	Synchronizer Ring	2		●				
32		970 262 3537	Synchronizer Ring	2		●				
33		970 262 3937	Synchronizer Ring	2		●				
34		970 262 2535	Synchronizer Hub	1		●				
35		974 262 0823	Sliding Sleeve	1		●				
36		970 262 2534	Synchronizer Cone	1		●				
37		970 262 0274	Pressure Piece	3		●				
38		970 993 6401	Spring	3		●				
39		018 981 5310	Needle Cage 72x80x40	1		●				
40		974 262 0111	Gear 1st Speed	1		●				

Notes

(A - B) To be coupled together

Date

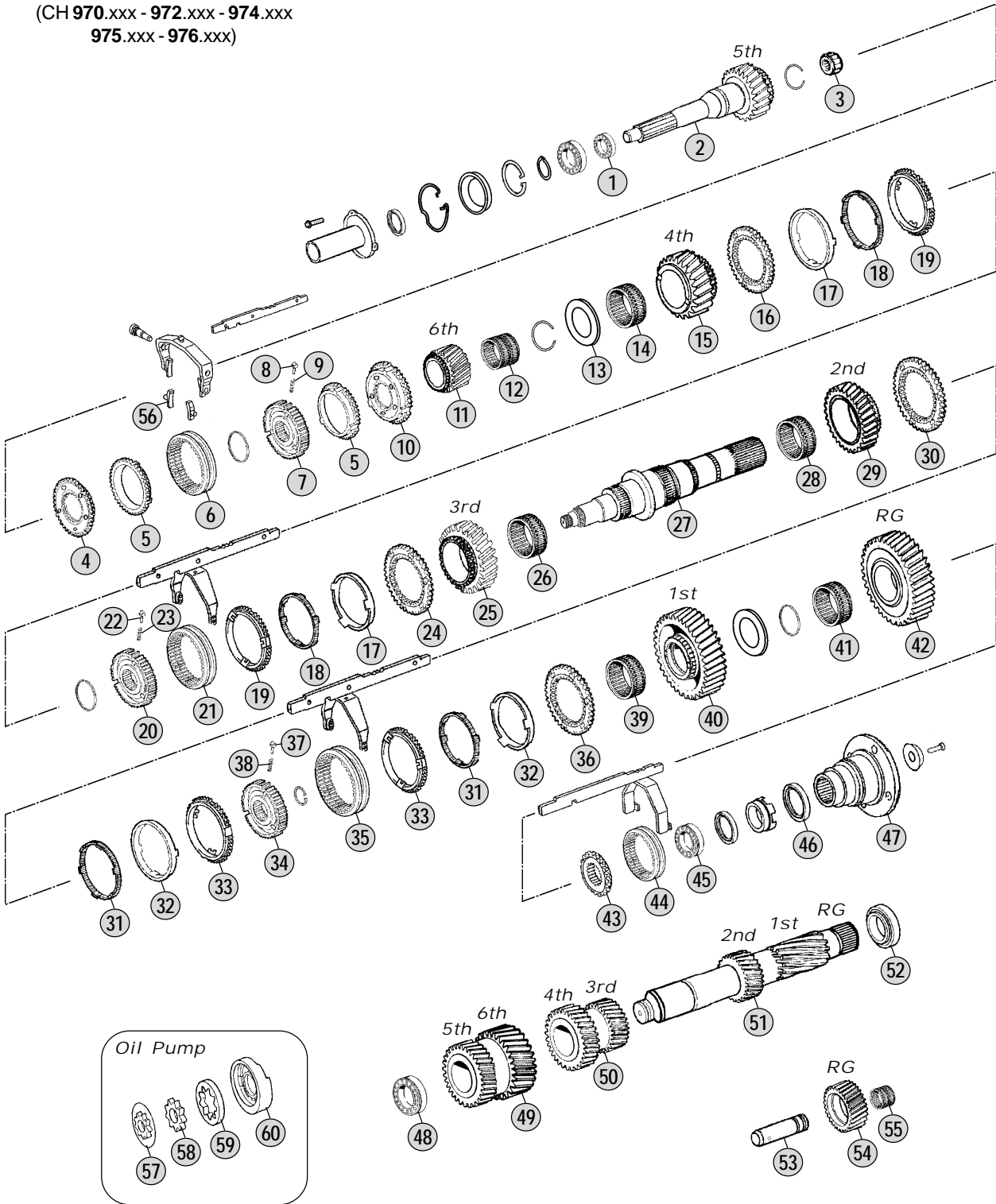
04 / 2011

Table**0100**

Adattabile a : **MERCEDES**  
Suitable To :

**G56** (6 Speeds)

**Models**  
ATEGO I - II  
(CH 970.xxx - 972.xxx - 974.xxx  
975.xxx - 976.xxx)



**Models**

G 56 - 6 712.610-611-612-613-615



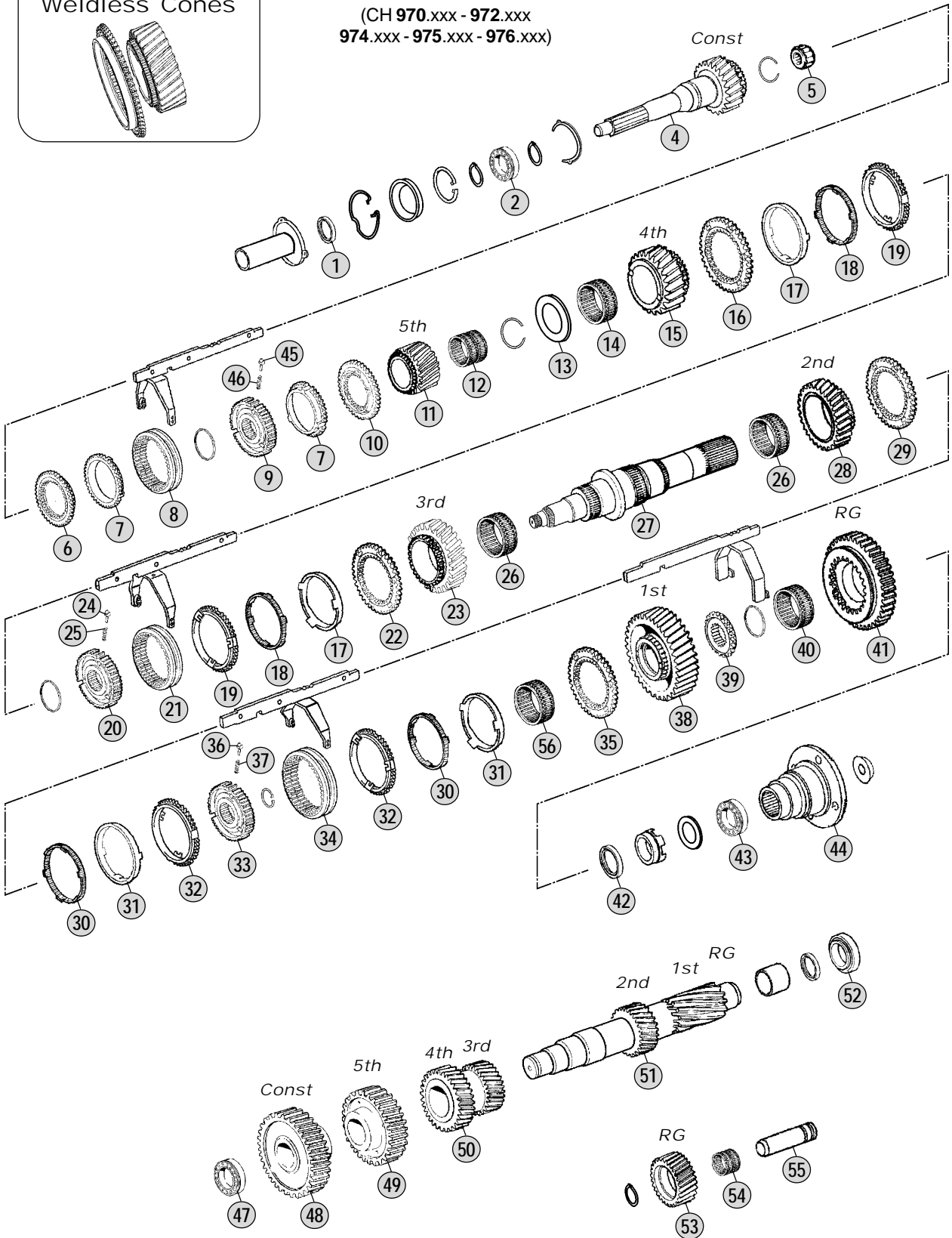


Adattabile a : **MERCEDES**  
Suitable To :

**G60** (6 Speeds)



**Models**  
ATEGO I - II  
(CH 970.xxx - 972.xxx  
974.xxx - 975.xxx - 976.xxx)



**Models**

G 60 - 6 712.620-621-622-623-624-625-641 715.050-051-053-054

Fig.	no.	Rif. MB	Description	Q.ty	Note	G 60 - 6				
1		021 997 2547	Oil Seal 55x80x8	1		●				
2		009 981 5825	Ball Bearing 55x120x29	1		●				
4		970 262 2002	Input Shaft 24 T	1		●				
5		976 981 0012	Needle Bearing 56x36x32	1		●				
6		970 262 1534	Synchronizer Cone	1		●				
7		970 262 3037	Synchronizer Ring	2		●				
8		970 262 2923	Sliding Sleeve	1		●				
9		970 262 1535	Synchronizer Hub	1		●				
10		694 262 0034	Synchronizer Cone	1		●				
11		694 262 0115	Gear 5th Speed	1		●				
12		018 981 9710	Needle Cage 68x60x10	1		●				
13		976 262 0462	Washer	1		●				
14		017 981 5610	Needle Cage 72x80x31	1		●				
15		970 262 1114	Gear 4th Speed 35 T	1		●				
16		970 262 2434	Synchronizer Cone	1		●				
17		970 262 3537	Synchronizer Ring	2		●				
18		970 262 3134	Synchronizer Ring	2		●				
19		970 262 3937	Synchronizer Ring	2		●				
20		970 262 2535	Synchronizer Hub	1		●				
21		970 262 3423	Sliding Sleeve	1		●				
22		970 262 2534	Synchronizer Cone	1		●				
23		970 262 1213	Gear 3rd Speed 47 T	1		●				
24		970 262 0274	Pressure Piece	3		●				
25		970 993 6401	Spring	3		●				
26		018 981 5810	Needle Cage 86x94x44	2		●				
27		970 262 0405	Main Shaft	1		●				
28		970 262 1012	Gear 2nd Speed 45 T	1		●				
29		694 262 0034	Synchronizer Cone	1		●				
30		970 262 3034	Synchronizer Ring	2		●				
31		970 262 3437	Synchronizer Ring	2		●				
32		970 262 3837	Synchronizer Ring	2		●				
33		695 262 0035	Synchronizer Hub	1		●				
34		970 262 3323	Sliding Sleeve	1		●				
35		694 262 0234	Synchronizer Cone	1		●				
36		970 262 0274	Pressure Piece	3		●				
37		970 993 6401	Spring	3		●				
38		976 262 1411	Gear 1st Speed 50 T	1		●				
39		970 262 0835	Reverse Hub 27 T	1		●				
40		023 981 2910	Needle Cage	1		●				
41		970 262 0533	Reverse Gear 47 T	1		●				
42		024 997 3247	Oil Seal 70x88x10	1		●				
43		009 981 5825	Ball Bearing 55x120x29	1		●				
44		970 262 1345	Output Flange	1		●				
44		970 262 1745	Output Flange	1		●				
44		970 262 0545	Output Flange	1		●				

Notes

Date

04 / 2011

Table

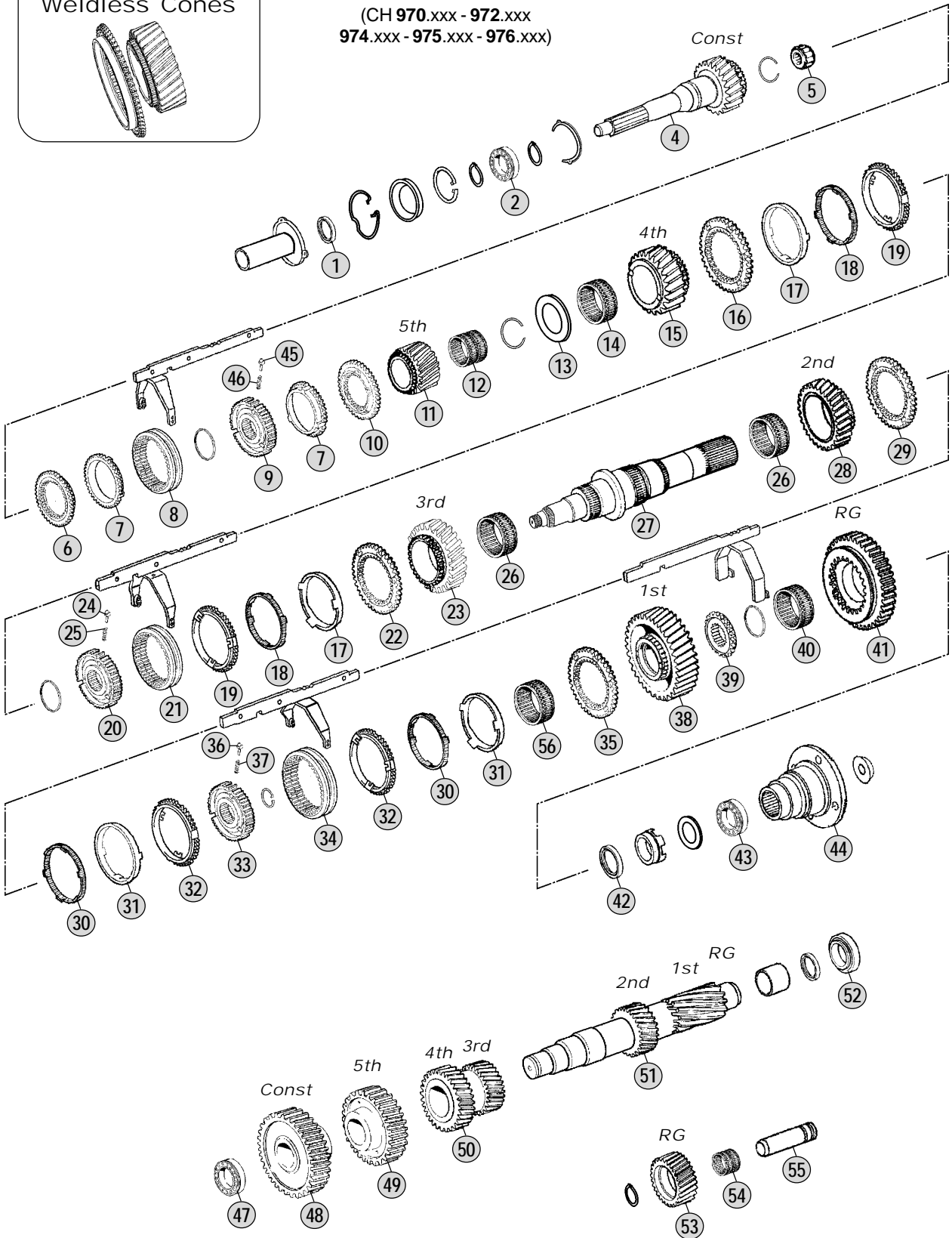
**0110**

Adattabile a : **MERCEDES**  
Suitable To :

**G60** (6 Speeds)



**Models**  
ATEGO I - II  
(CH 970.xxx - 972.xxx  
974.xxx - 975.xxx - 976.xxx)



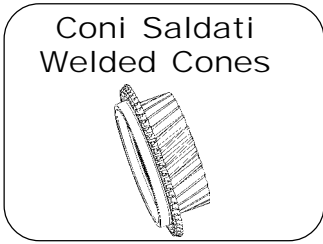
**Models**

G 60 - 6 712.620-621-622-623-624-625-641 715.050-051-053-054

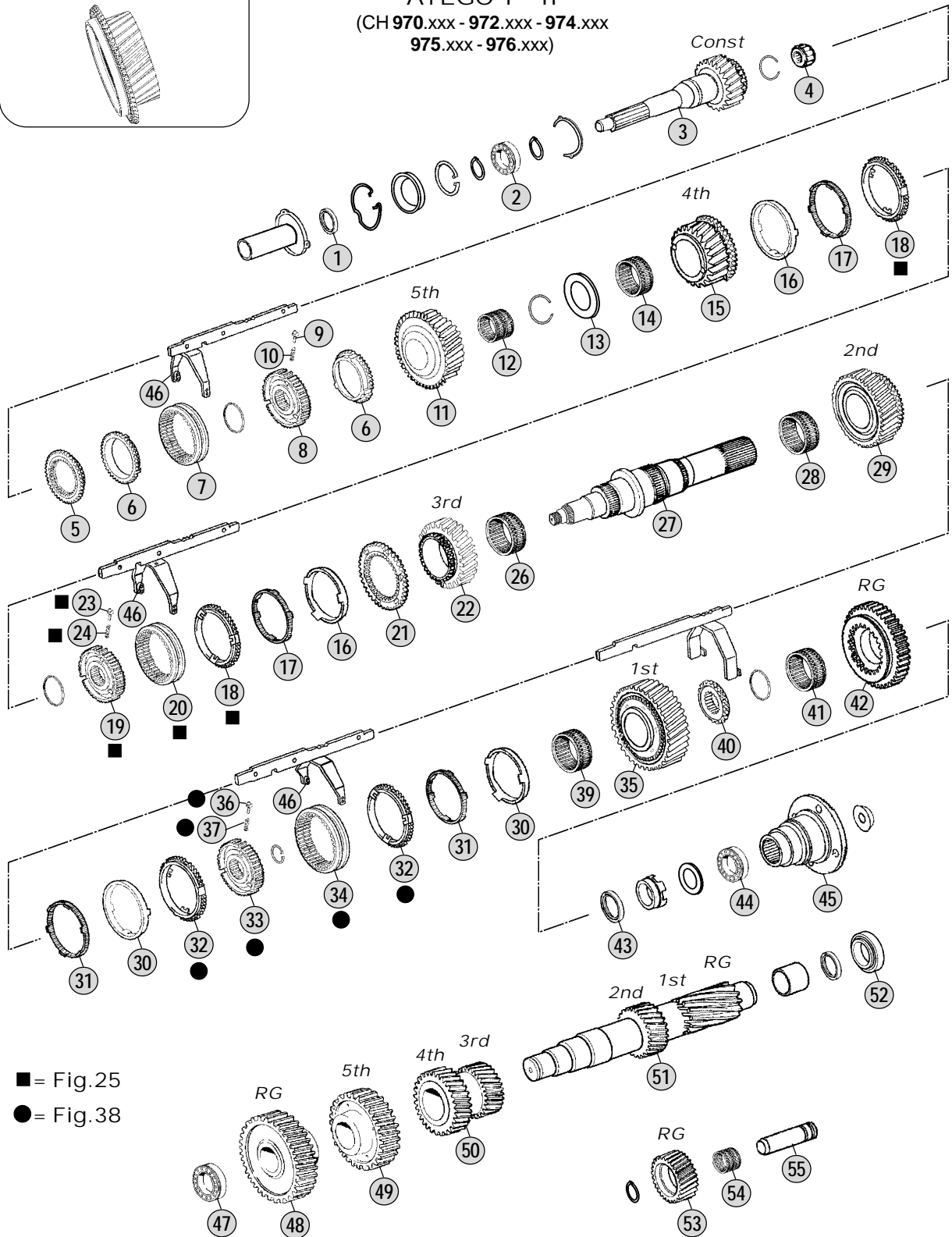


Adattabile a : **MERCEDES**  
Suitable To :

**G60** (6 Speeds)



**Models**  
ATEGO I - II  
(CH 970.xxx - 972.xxx - 974.xxx  
975.xxx - 976.xxx)



**Models**

G 60 - 6 712.620-621-622-623-624-625-641 715.050-051-053-054

Fig.	no.	Rif. MB	Description	Q.ty	Note	G 60 - 6				
1		021 997 2547	Oil Seal 55x80x8	1		●				
2		009 981 5825	Ball Bearing 55x120x29	1		●				
3		970 262 2002	Input Shaft 24 T	1		●				
4		976 981 0012	Needle Bearing 56x36x32	1		●				
5		970 262 1534	Synchronizer Cone	1		●				
6		970 262 3037	Synchronizer Ring	2		●				
7		970 262 2923	Sliding Sleeve	1		●				
8		970 262 1535	Synchronizer Hub	1		●				
9		970 262 0274	Pressure Piece	3		●				
10		970 993 6401	Spring	3		●				
11		970 260 1944	Gear 5th Speed 28 T	1		●				
12		018 981 9710	Needle Cage 68x60x10	1		●				
13		970 262 0162	Spacer	1		●				
14		017 981 5610	Needle Cage 72x80x31	1		●				
15		970 260 2344	Gear 4th Speed 35 T	1		●				
16		970 262 3537	Synchronizer Ring	2		●				
17		970 262 3134	Synchronizer Ring	2		●				
18		970 262 3937	Synchronizer Ring	2	New Type	●				
19		970 262 2535	Synchronizer Hub	1	New Type	●				
20		970 262 3423	Sliding Sleeve	1	New Type	●				
21		970 262 2534	Synchronizer Cone	1		●				
22		970 262 1213	Gear 3rd Speed 47 T	1		●				
23		970 262 0274	Pressure Piece	3		●				
24		970 993 6401	Spring	3		●				
25		970 260 2944	Synchro kit 4th/3rd Speed	1	(1) New Type	●				
26		018 981 5810	Needle Cage 86x94x44	1		●				
27		970 262 0105	Main Shaft	1	Up to Gearbox 042297	●				
27		970 262 0405	Main Shaft	1	From Gearbox 042298	●				
28		018 981 5810	Needle Cage 86x94x44	1		●				
29		970 260 2544	Gear 2nd Speed 45 T	1		●				
30		970 262 3034	Synchronizer Ring	2		●				
31		970 262 3437	Synchronizer Ring	2		●				
32		970 262 3837	Synchronizer Ring	2	New Type	●				
33		970 262 2435	Synchronizer Hub	1	New Type	●				
34		970 262 3323	Sliding Sleeve	1	New Type	●				
35		970 260 0344	Gear 1st Speed 50 T	1		●				
36		970 262 0274	Pressure Piece	3		●				
37		970 993 6401	Spring	3		●				
38		970 260 2844	Synchro Kit 1st/2nd Speed	1	(2) New Type	●				
39		018 981 5310	Needle Cage 72x80x40	1		●				
40		970 262 0835	Reverse Hub 27 T	1		●				
41		018 981 5610	Needle Cage 72x64x45	1	Up to Gearbox 042297	●				
41		023 981 2910	Needle Cage	1	From Gearbox 042298	●				
42		970 262 0533	Reverse Gear 47 T	1		●				
42		970 262 0433	Reverse Gear 47 T	1		●				

**Notes**

(1) The Kit replaces all previous versions using Synchronizer Ring 970 262 3237 and 970 262 2237

(2) The Kit replaces all previous versions using Synchronizer Ring 970 262 3137 and 970 262 2137

**Date**

04 / 2011

**Table****0120**6 Speeds  
G 60

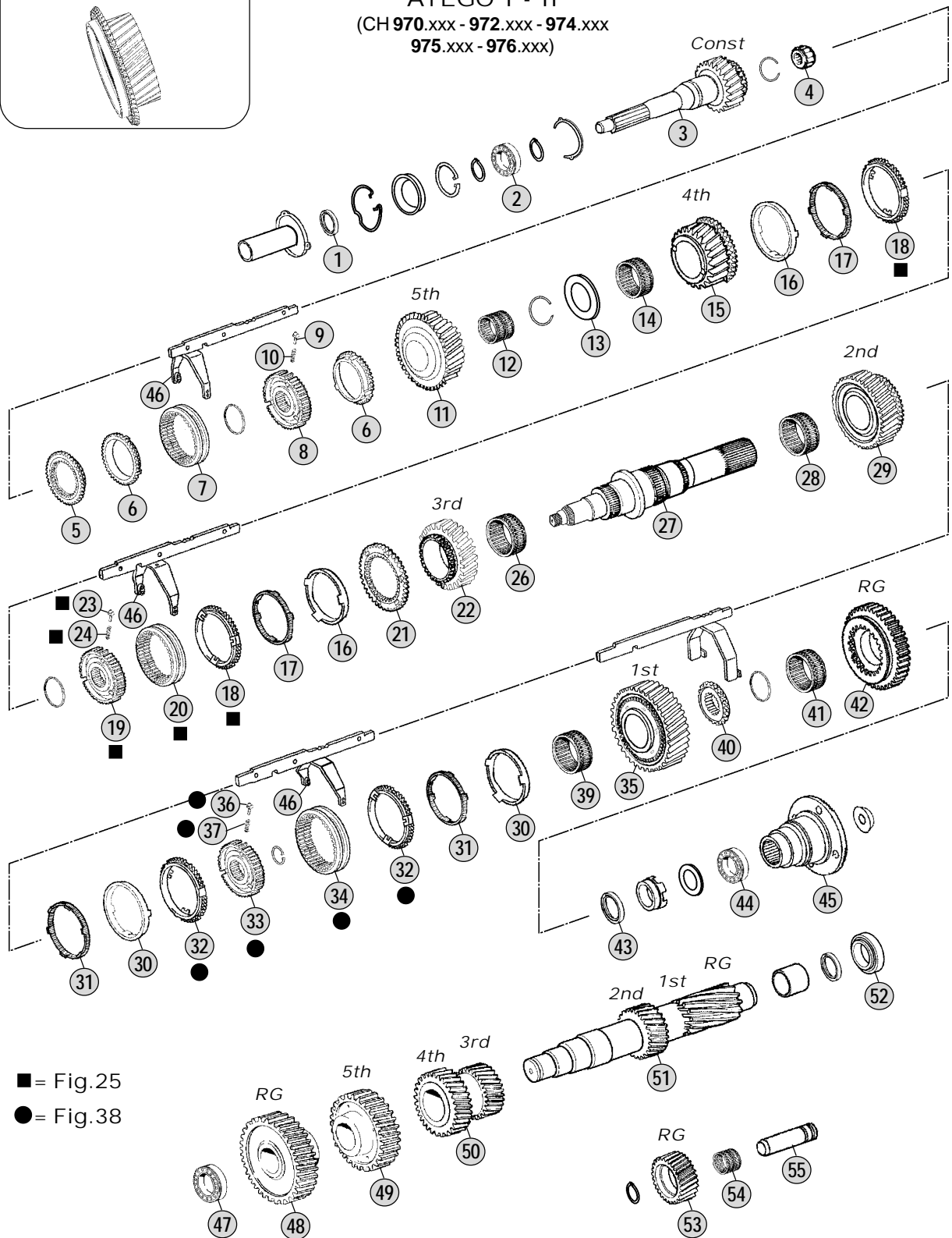


Adattabile a : **MERCEDES**  
Suitable To :

**G60** (6 Speeds)



**Models**  
ATEGO I - II  
(CH 970.xxx - 972.xxx - 974.xxx  
975.xxx - 976.xxx)



**Models**

G 60 - 6 712.620-621-622-623-624-625-641 715.050-051-053-054

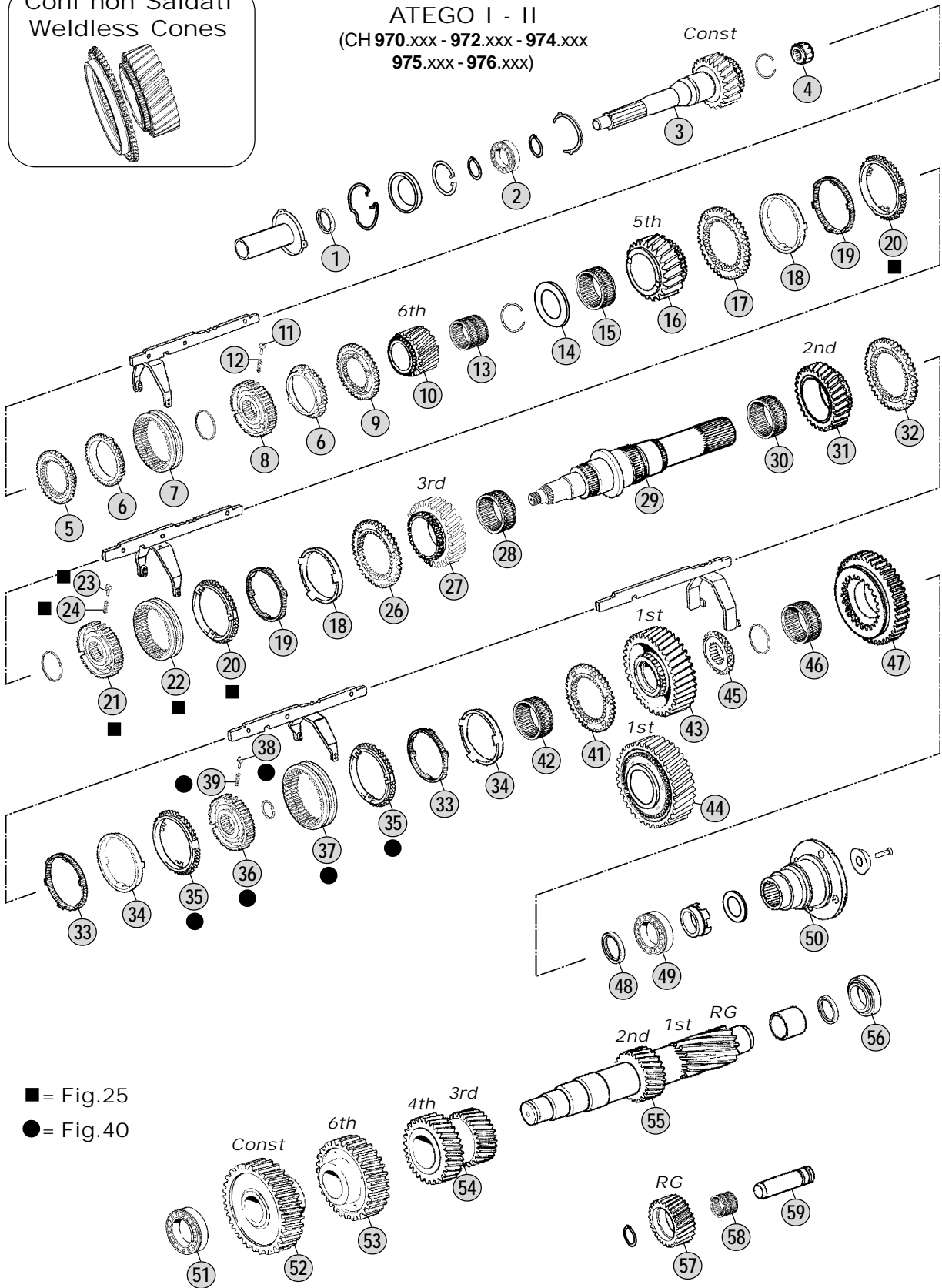


Adattabile a : **MERCEDES**  
Suitable To :

**G85 (6 Speeds)**



**Models**  
ATEGO I - II  
(CH 970.xxx - 972.xxx - 974.xxx  
975.xxx - 976.xxx)



**Models**

G 85 - 6 712.630-631-632-633-634-652-653 715.062-064

Fig.	no.	Rif. MB	Description	Q.ty	Note	G 85 - 6				
1		021 997 2547	Oil Seal 55x80x8	1		●				
2		009 981 5825	Ball Bearing 55x120x29	1		●				
3		976 262 1402	Input Shaft 28 T	1		●				
3		976 262 1702	Input Shaft 28 T	1		●				
3		976 262 0502	Input Shaft 28 T	1		●				
3		976 262 2302	Input Shaft 28 T	1		●				
4		976 981 0012	Needle Bearing 56x36x32	1		●				
5		970 262 1534	Synchronizer Cone	1		●				
6		970 262 3037	Synchronizer Ring	2		●				
7		970 262 2923	Sliding Sleeve	1		●				
8		695 262 0035	Synchronizer Hub	1	(A) Old Type	●				
8		976 262 0835	Synchronizer Hub	1	(B)	●				
9		695 262 0034	Synchronizer Cone	1	(A) Old Type	●				
9		976 262 1634	Synchronizer Cone	1	(B)	●				
10		976 262 1016	Gear 6th Speed 24 T	1	(A) Old Type	●				
10		976 262 0816	Gear 6th Speed 24 T	1	(B)	●				
11		970 262 0274	Pressure Piece	3		●				
12		970 993 6401	Spring	3		●				
13		018 981 3610	Needle Cage 50x56x44	1		●				
14		976 262 0462	Washer	1		●				
15		017 981 5610	Needle Cage 72x80x31	1		●				
16		970 262 1114	Gear 4th Speed 35 T	1		●				
17		970 262 2434	Synchronizer Cone	1		●				
18		970 262 3537	Synchronizer Ring	2		●				
19		970 262 3134	Synchronizer Ring	2		●				
20		970 262 3937	Synchronizer Ring	2		●				
21		970 262 2535	Synchronizer Hub	1		●				
22		970 262 3423	Sliding Sleeve	1		●				
23		970 262 0274	Pressure Piece	3		●				
24		970 993 6401	Spring	3		●				
25		970 260 2944	Synchro kit 4th/3rd Speed	1		●				
26		970 262 2534	Synchronizer Cone	1		●				
27		970 262 1213	Gear 3rd Speed 47 T	1		●				
28		018 981 5810	Needle Cage 86x94x44	1		●				
29		976 262 1205	Main Shaft	1	Up to Gearbox 042297	●				
29		976 262 1705	Main Shaft	1	From Gearbox 042298	●				
30		018 981 5810	Needle Cage 86x94x44	1		●				
31		970 262 1012	Gear 2nd Speed 45 T	1		●				
32		970 262 2334	Synchronizer Cone	1		●				
32		975 262 0234	Synchronizer Cone	1	(1) Old Type	●				
33		970 262 3034	Synchronizer Ring	2		●				
34		970 262 3437	Synchronizer Ring	2		●				
35		970 262 3837	Synchronizer Ring	2		●				
36		970 262 2435	Synchronizer Hub	1		●				
37		970 262 3323	Sliding Sleeve	1		●				

Notes

- (A - B) To be coupled together  
 (1) Replaced by 970 262 2334 + 970 262 1012 + 970 262 2435  
 (2) Replaced by 970 262 0311 + 970 262 1734

Date

04 / 2011

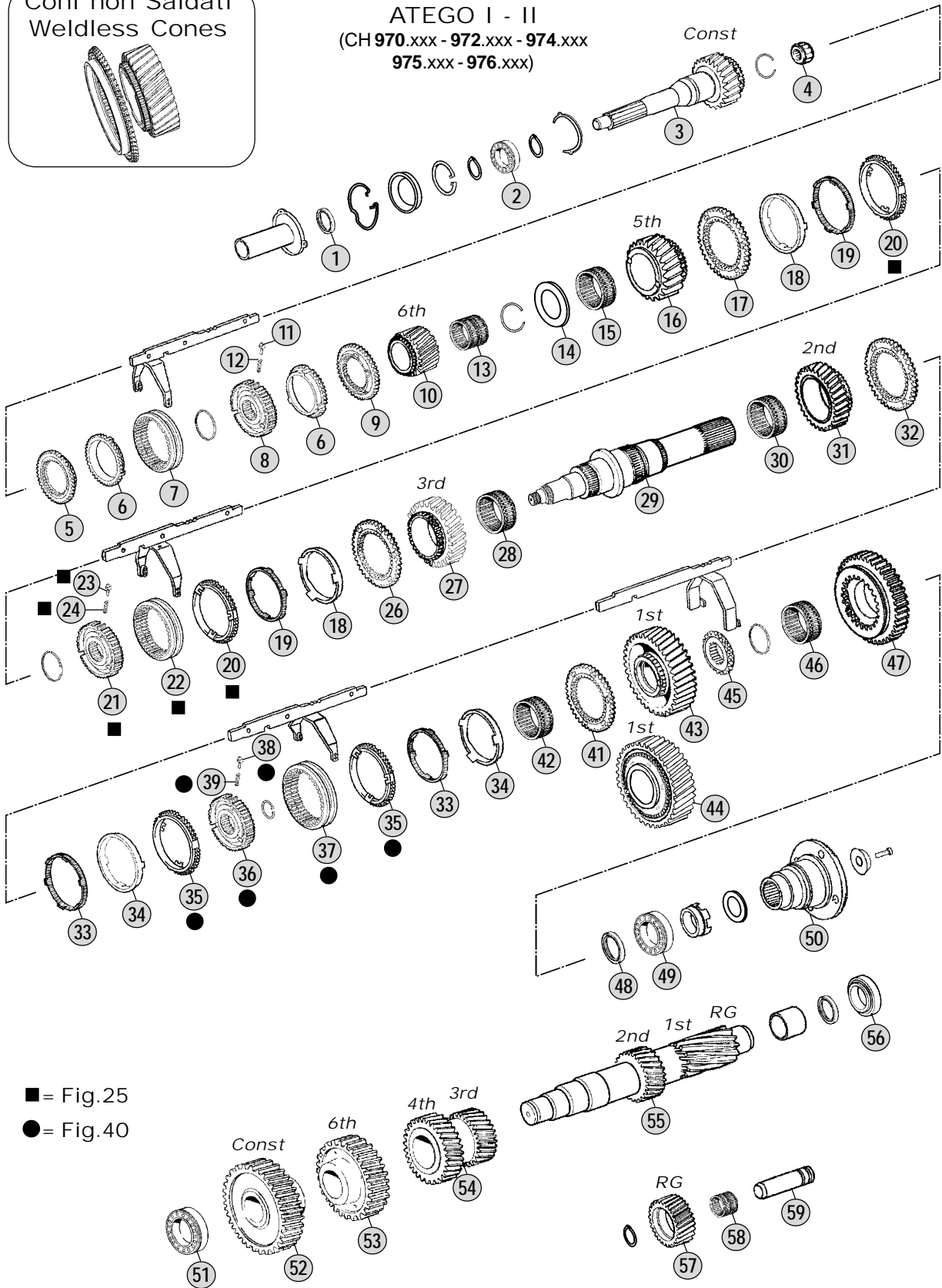
Table**0130**6 Speeds  
G 85

Adattabile a : **MERCEDES**  
Suitable To :

**G85 (6 Speeds)**



**Models**  
ATEGO I - II  
(CH 970.xxx - 972.xxx - 974.xxx  
975.xxx - 976.xxx)



**Models**

G 85 - 6 712.630-631-632-633-634-652-653 715.062-064





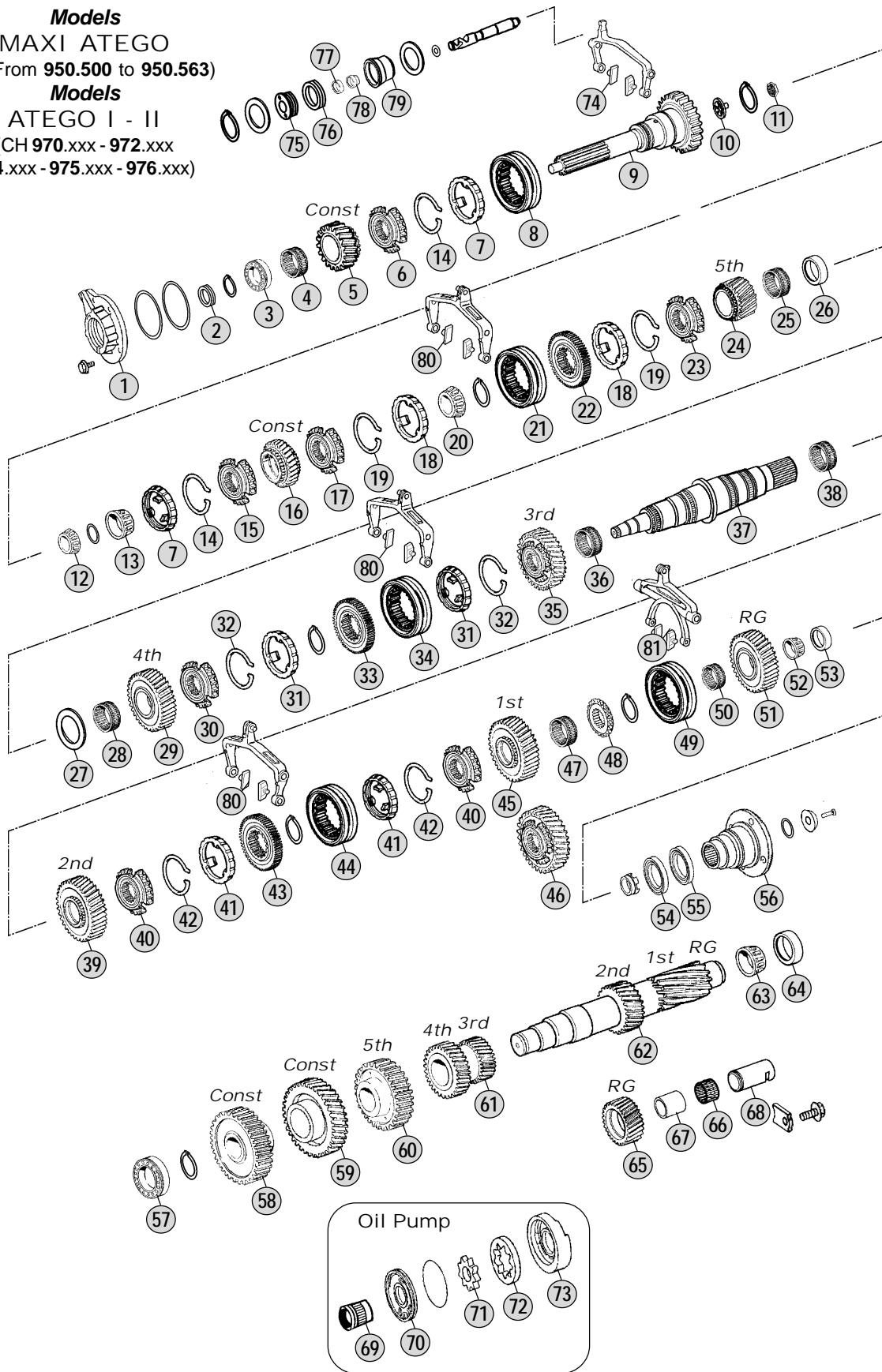
Adattabile a : **MERCEDES**  
Suitable To :

**Models**

MAXI ATEGO  
(CH From 950.500 to 950.563)

**Models**

ATEGO I - II  
(CH 970.xxx - 972.xxx  
974.xxx - 975.xxx - 976.xxx)



**Models**

G 100 - 6 715.320 - 715.321

Fig.	no.	Rif. MB	Description	Q.ty	Note	G 100 - 6				
1		976 261 0318	Front Cover	1		●				
2		024 997 3047	Seal Ring 52x68x8 mm	1		●				
3		014 981 3905	Roller Bearing	1	Oem	●				
3		014 981 3905	Roller Bearing	1	A.Market	●				
4		018 981 0510	Needle Cage 75x67x37	1		●				
5		976 262 0210	Constant Gear I 26 T	1		●				
6		389 262 1134	Synchronizer Cone	1		●				
7		389 262 0637	Synchronizer Ring	2		●				
7		389 262 3137	Synchronizer Ring	2	LONG LIFE	●				
8		945 262 0323	Sliding Sleeve	1		●				
8		M945 262 0323	Sliding Sleeve	1	LONG LIFE	●				
9		976 262 2101	Input Shaft	1		●				
9		976 262 2501	Input Shaft	1		●				
10		976 269 0034	Oil Collector	1		●				
11		976 990 0150	Nut	1		●				
12		012 981 2805	Bearing 32x29,5	1		●				
13		013 981 0305	Roller Bearing 38,1x29,77	1	Oem	●				
13		013 981 0305	Roller Bearing 38,1x29,77	1	A.Market	●				
14		387 262 1093	Elastic Ring	2		●				
15		976 262 2834	Synchronizer Cone	1		●				
16		976 262 1510	Constant Gear II 23 T	1		●				
17		976 262 2834	Synchronizer Cone	1		●				
18		389 262 0637	Synchronizer Ring	2		●				
18		389 262 3137	Synchronizer Ring	2	LONG LIFE	●				
19		387 262 1093	Elastic Ring	2		●				
20		013 981 0405	Bearing	1		●				
21		945 262 0323	Sliding Sleeve	1		●				
21		M945 262 0323	Sliding Sleeve	1	LONG LIFE	●				
22		389 262 1935	Synchronizer Hub	1		●				
23		945 262 4034	Synchronizer Cone	1		●				
24		976 262 1515	Gear 5th Speed 28 T	1		●				
25		018 981 7710	Needle Cage	1		●				
26		976 262 0350	Bush	1		●				
27		976 262 0052	Washer	1		●				
28		009 981 1510	Needle Cage K78x86x35ZW	1		●				
29		389 262 0914	Gear 4th Speed 35 T	1		●				
30		945 262 0334	Synchronizer Cone	1		●				
31		389 262 0637	Synchronizer Ring	2		●				
31		389 262 3137	Synchronizer Ring	2	LONG LIFE	●				
32		387 262 1093	Elastic Ring	2		●				
33		389 262 2735	Synchronizer Hub	1		●				
34		945 262 0323	Sliding Sleeve	1		●				
34		M945 262 0323	Sliding Sleeve	1	LONG LIFE	●				
35		976 262 1113	Gear 3rd Speed 47 T	1		●				
36		007 981 5510	Needle Cage 92x100x49,5	1		●				

Notes

(1) Fig. 46 Could be replaced by Fig.40 + Fig.45

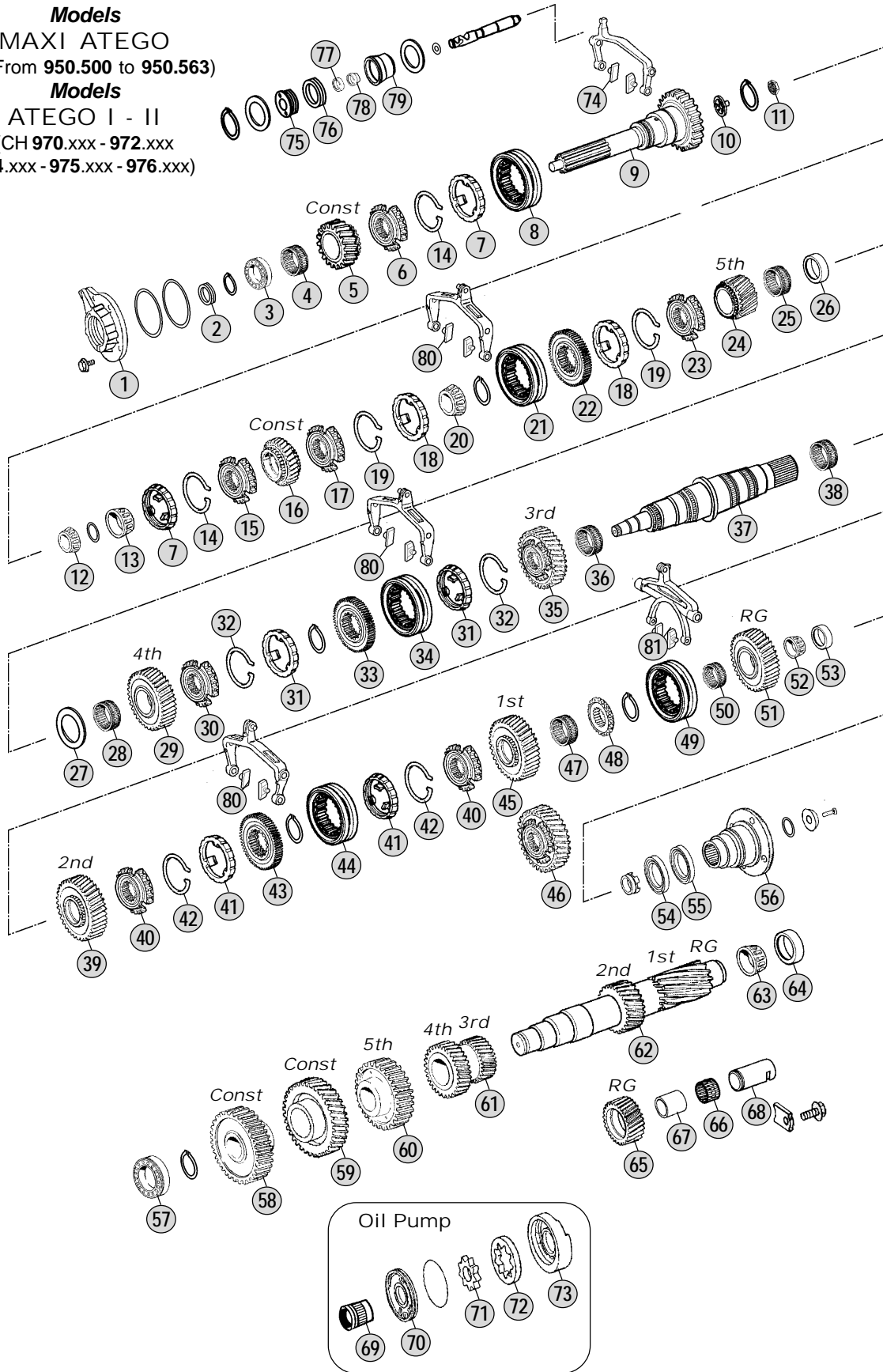
Date

04 / 2011

Table**0140**

Adattabile a : **MERCEDES**  
Suitable To :

**Models**  
MAXI ATEGO  
(CH From 950.500 to 950.563)  
**Models**  
ATEGO I - II  
(CH 970.xxx - 972.xxx  
974.xxx - 975.xxx - 976.xxx)



**Models**

G 100 - 6 715.320 - 715.321

Fig.	no.	Rif. MB	Description	Q.ty	Note	G 100 - 6				
37		976 262 2105	Main Shaft	1		●				
38		007 981 5510	Needle Cage 92x100x49,5	1		●				
39		976 262 1612	Gear 2nd Speed 45 T	1		●				
40		945 262 0434	Synchronizer Cone	2		●				
41		389 262 0737	Synchronizer Ring	2		●				
41		389 262 3237	Synchronizer Ring	2	LONG LIFE	●				
42		387 262 0893	Elastic Ring	2		●				
43		389 262 1135	Synchronizer Hub	1		●				
44		945 262 0423	Sliding Sleeve	1		●				
44		M945 262 0423	Sliding Sleeve	1	LONG LIFE	●				
45		976 262 1211	Gear 1st Speed 50 T	1		●				
46		976 262 0011	Gear 1st Speed	1	(1) Assy	●				
47		019 981 1510	Needle Cage 85x93x40	1		●				
48		976 262 0335	Synchronizer Hub	1		●				
49		389 262 1723	Sliding Sleeve	1		●				
50		018 981 8110	Needle Cage 75x83x48	1		●				
51		976 262 1333	Reverse Gear 47 T	1		●				
52		002 981 4581	Roller bearing 65x121,6x31	1	Oem	●				
52		002 981 4581	Roller bearing 65x121,6x31	1	A.Market	●				
53		001 981 9680	Ring	1		●				
54		007 997 9647	Seal Ring	1		●				
55		023 997 8547	Oil Seal 80x100x12	1		●				
56		947 262 0345	Output Flange D.150mm	1		●				
57		014 981 1405	Bearing 50,8x100x35	1		●				
58		976 263 1510	Constant Gear I 51 T	1		●				
59		976 263 0710	Constant Gear II 55 T	1		●				
60		976 263 0615	Gear 5th Speed 45 T	1		●				
61		389 263 2113	Double Gear 38/33 T	1		●				
62		976 263 0402	Countershaft 12/19 T	1		●				
63		002 981 4681	Roller bearing 45x97,2x30	1	Oem	●				
63		002 981 4681	Roller bearing 45x97,2x30	1	A.Market	●				
64		001 981 9780	Bearing Cup	1		●				
65		976 263 0031	Reverse Gear 21 T	1		●				
66		019 981 4610	Needle Cage	1		●				
67		976 263 0050	Bush	1		●				
68		976 263 0030	Reverse Shaft	1		●				
69		976 269 0010	Oil Pump Shaft	1		●				
69		976 269 0110	Oil Pump Shaft	1		●				
70		389 269 2001	Oil Pump Cover	1		●				
71		389 269 1606	Oil Pump Gear	1		●				
72		389 269 0706	Oil Pump Hub	1		●				
73		389 269 2101	Oil Pump Cover	1		●				
74		947 265 0349	Slide Fork	2	BRASS	●				
74		M947 265 0349	Slide Fork	2	IRON	●				
75		945 267 0218	Piston	1		●				

Notes

(1) Fig. 46 Could be replaced by Fig.40 + Fig.45

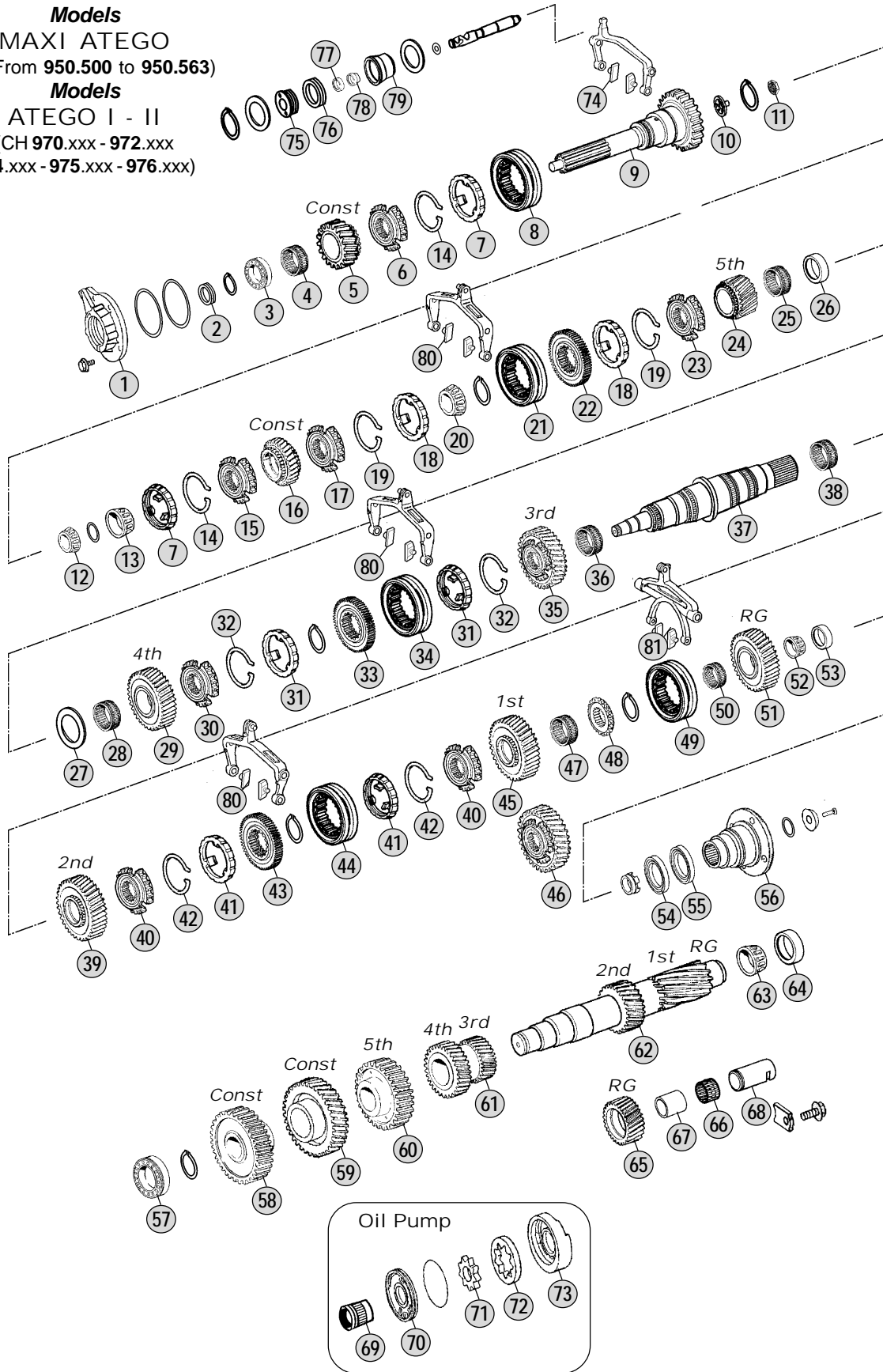
Date

04 / 2011

Table**0140**

Adattabile a : **MERCEDES**  
Suitable To :

**Models**  
MAXI ATEGO  
(CH From 950.500 to 950.563)  
**Models**  
ATEGO I - II  
(CH 970.xxx - 972.xxx  
974.xxx - 975.xxx - 976.xxx)



**Models**

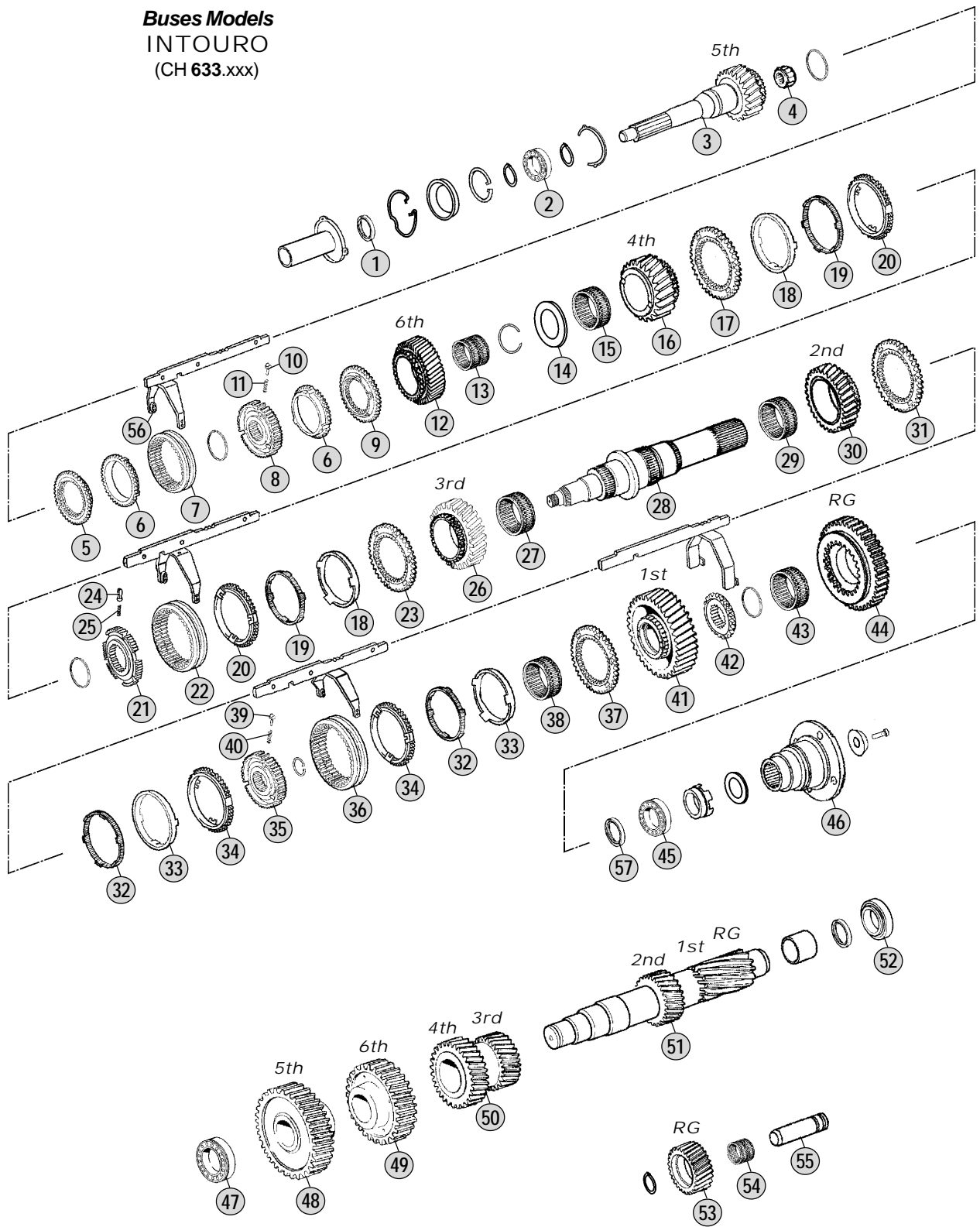
G 100 - 6 715.320 - 715.321





Adattabile a : **MERCEDES**  
Suitable To :

**Buses Models**  
INTOURO  
(CH 633.xxx)



**Models**

GO110 - 6 712.635-637

Fig.	no.	Rif. MB	Description	Q.ty	Note	G0110 - 6				
1		021 997 2547	Oil Seal 55x80x8	1		●				
2		009 981 5825	Ball Bearing 55x120x29	1		●				
3		444 262 0002	Input Shaft	1		●				
4		976 981 0012	Needle Bearing 56x36x32	1		●				
5		970 262 1534	Synchronizer Cone	1		●				
6		970 262 3037	Synchronizer Ring	1		●				
7		970 262 2923	Sliding Sleeve	1		●				
8		695 262 0035	Synchronizer Hub	1		●				
9		695 262 0034	Synchronizer Cone	1		●				
10		970 262 0274	Pressure Piece	3		●				
11		970 993 6401	Spring	3		●				
12		444 262 0016	Gear 6th Speed	1		●				
13		018 981 3610	Needle Cage	1		●				
14		976 262 0462	Washer	1		●				
15		017 981 5610	Needle Cage 72x80x31	1		●				
16		970 262 1114	Gear 4th Speed	1		●				
17		970 262 2434	Synchronizer Cone	1		●				
18		970 262 3537	Synchronizer Ring	2		●				
19		970 262 3134	Synchronizer Ring	2		●				
20		970 262 3937	Synchronizer Ring	2		●				
21		970 262 2535	Synchronizer Hub	1		●				
22		970 262 3423	Sliding Sleeve	1		●				
23		970 262 2534	Synchronizer Cone	1		●				
24		970 262 0274	Pressure Piece	3		●				
25		970 993 6401	Spring	3		●				
26		970 262 1213	Gear 3rd Speed 47 T	1		●				
27		018 981 5810	Needle Cage 86x94x44	1		●				
28		976 262 1705	Main Shaft	1		●				
29		018 981 5810	Needle Cage 86x94x44	1		●				
30		970 262 1012	Gear 2nd Speed 45 T	1		●				
31		975 262 0234	Synchronizer Cone	1		●				
32		970 262 3034	Synchronizer Ring	2		●				
33		970 262 3437	Synchronizer Ring	2		●				
34		970 262 3837	Synchronizer Ring	2		●				
35		970 262 2435	Synchronizer Hub	1		●				
36		970 262 3323	Sliding Sleeve	1		●				
37		694 262 0234	Synchronizer Cone	1		●				
38		018 981 5310	Needle Cage 72x80x40	1		●				
39		970 262 0274	Pressure Piece	3		●				
40		970 993 6401	Spring	3		●				
41		976 262 1411	Gear 1st Speed Z 50	1		●				
42		970 262 0835	Reverse Hub 27 T	1		●				
43		023 981 2910	Needle Cage	1		●				
44		970 262 0533	Reverse Gear 47 T	1		●				
45		009 981 5825	Ball Bearing 55x120x29	1		●				

Notes

Date

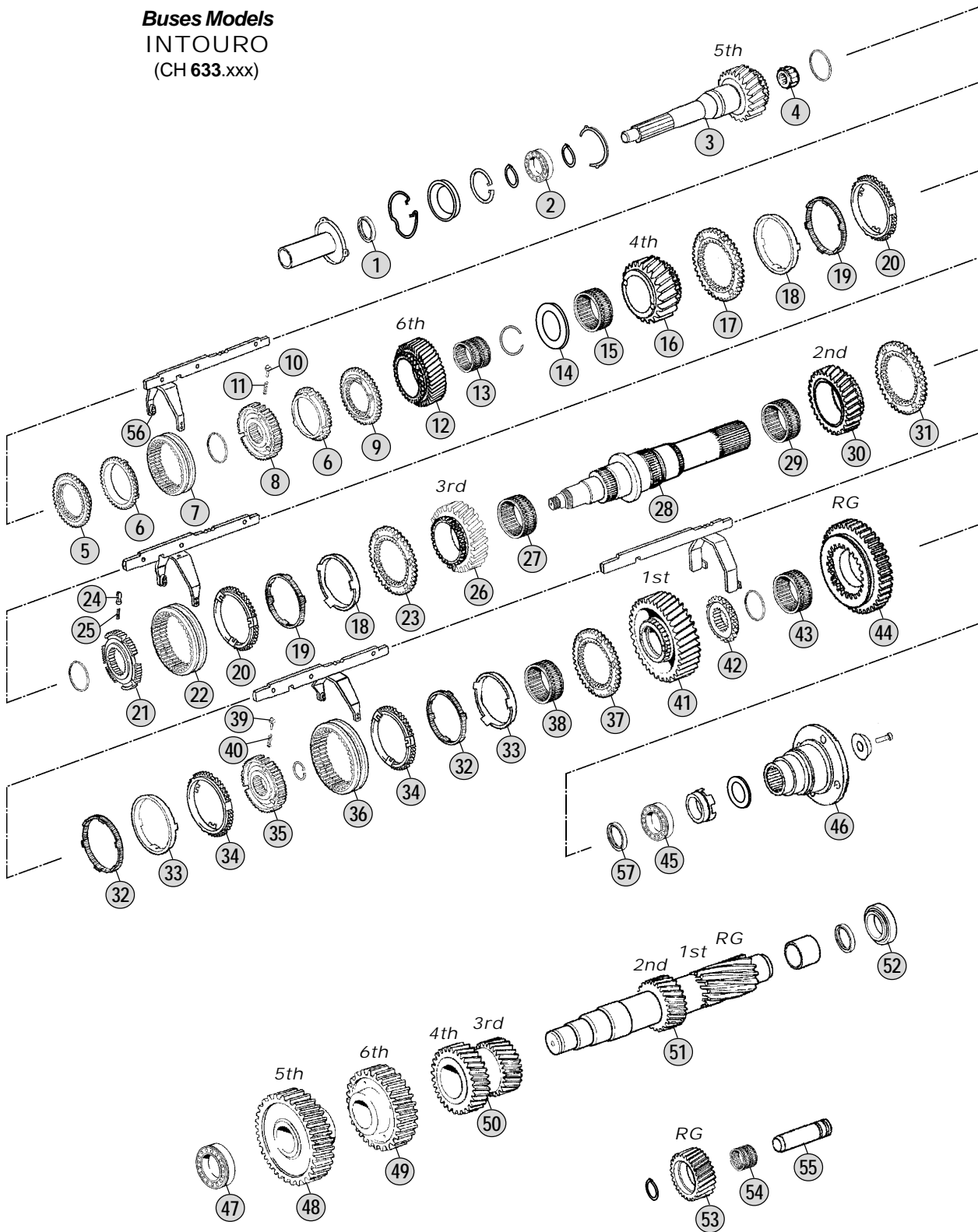
04 / 2011

Table

0150

Adattabile a : **MERCEDES**  
Suitable To :

**Buses Models**  
INTOURO  
(CH 633.xxx)



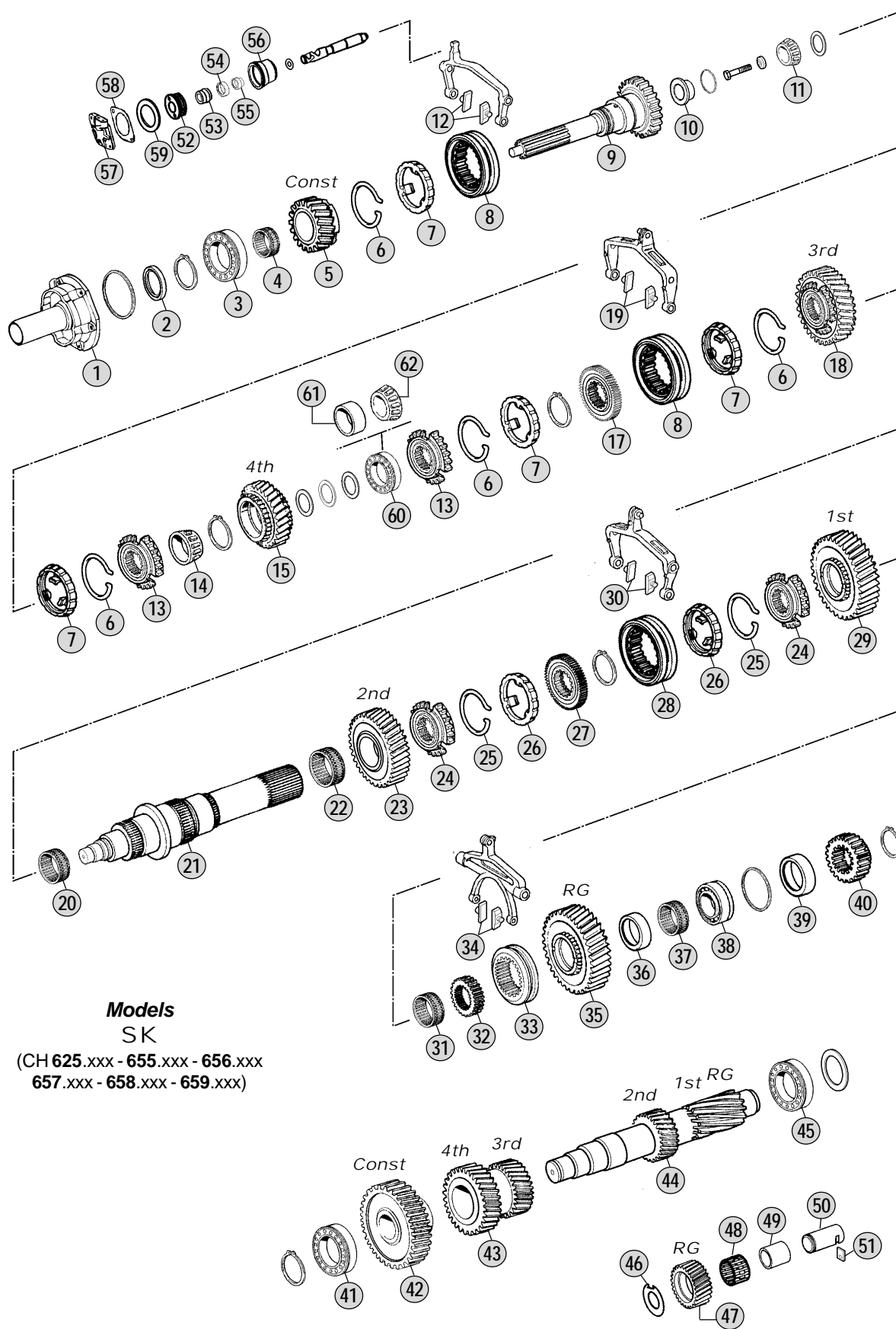
**Models**

GO110 - 6 712.635-637



Adattabile a : **MERCEDES**  
 Suitable To :

Modelli Cambio/ Gearbox Models  
**G125 - G135 (16 Speeds)**



**Models**  
**SK**

(CH 625.xxx - 655.xxx - 656.xxx  
 657.xxx - 658.xxx - 659.xxx)

**Models**

G125-16 / 14,0 - 1,00	714.720(EPS)-721-724-730(EPS)-731-732-733
G135-16 / 11,9 - 0,88	714.722(EPS)-723

Fig. no.	Rif. MB	Description	Q.ty	Note	G125-16/14,0-1,0	G135-16/11,9-0,88			
1	389 261 4418	Front Cover	1	714.720/1-730/1-732/3	●				
1	389 261 3318	Front Cover	1	714.724	●				
1	389 261 3318	Front Cover	1			●			
2	015 997 0347	Seal Ring Th.8(64x45) mm	1		●				
2	024 997 3047	Seal Ring 52x68x8 mm	1			●			
3	009 981 6205	Bearing 62x72x29,7	1		●	●			
4	013 981 6410	Needle Cage 82x90x35	1	(A)	●	●			
4	016 981 0210	Needle Cage 82x90x30	1	(B)	●	●			
5	389 262 1210	Constant Gear 22 T	1		●				
5	389 262 1410	Constant Gear 26 T	1			●			
6	387 262 1093	Elastic Ring	4		●	●			
7	389 262 0637	Synchronizer Ring	4		●	●			
7	389 262 3137	Synchronizer Ring	4	LONG LIFE	●	●			
8	389 262 3023	Sliding Sleeve	2		●	●			
8	M389 262 3023	Sliding Sleeve	2	LONG LIFE	●	●			
9	389 262 1501	Input Shaft	1	(A) 714.720/1-730/1-732/3	●				
9	389 262 2001	Input Shaft	1	(A) 714.724	●				
9	389 262 2001	Input Shaft	1	(A)		●			
9	389 262 3901	Input Shaft	1	(B) 714.720/1-730/1-732/3	●				
9	389 262 4201	Input Shaft	1	(B) 714.724	●				
9	389 262 4201	Input Shaft	1	(B)		●			
10	018 997 8447	Ring	1		●	●			
11	017 981 3205	Bearing 32x31	1		●	●			
12	389 265 2449	Slide Fork	2	BRASS	●	●			
12	M389 265 2449	Slide Fork	2	IRON	●	●			
13	389 262 5634	Synchronizer Cone	2		●	●			
14	010 981 2405	Bearing 45x90x25,7	1		●	●			
15	389 262 5410	Gear 4th Speed 24 T	1		●	●			
17	389 262 0635	Synchronizer Hub	1		●	●			
18	389 262 0713	Gear 3rd Speed 28 T	1		●	●			
19	389 265 2349	Slide Fork	2	BRASS	●	●			
19	M389 265 2349	Slide Fork	2	IRON	●	●			
20	014 981 3910	Needle Cage 85x93x43	1		●	●			
21	389 262 1605	Main Shaft	1	(A)	●	●			
21	389 262 2005	Main Shaft	1	(B)	●	●			
22	018 981 6610	Needle Cage K85x93x53ZWD	1		●	●			
23	389 262 1112	Gear 2nd Speed 32 T	1		●	●			
24	945 262 0434	Synchronizer Cone	2		●	●			
25	387 262 0893	Elastic Ring	2		●	●			
26	389 262 0737	Synchronizer Ring	2		●	●			
26	389 262 3237	Synchronizer Ring	2	LONG LIFE	●	●			
27	389 262 0035	Synchronizer Hub	1		●	●			
28	387 262 0623	Sliding Sleeve	1	(1)	●	●			
28	M387 262 0623	Sliding Sleeve	1	(1) LONG LIFE	●	●			
28	389 262 2923	Sliding Sleeve	1	(2)	●	●			

## Notes

- (A) Up to gearbox 300439 (B) From gearbox 300440  
 (C) Up to gearbox 176366 - See GP section (table 0165) for the coupling  
 (D) From gearbox 176367 - See GP section (table 0165) for the coupling  
 (E) Up to 06/96 (F) From 07/96  
 (1) Up to gearbox 058288 (2) From gearbox 058289

## Date

04 / 2011

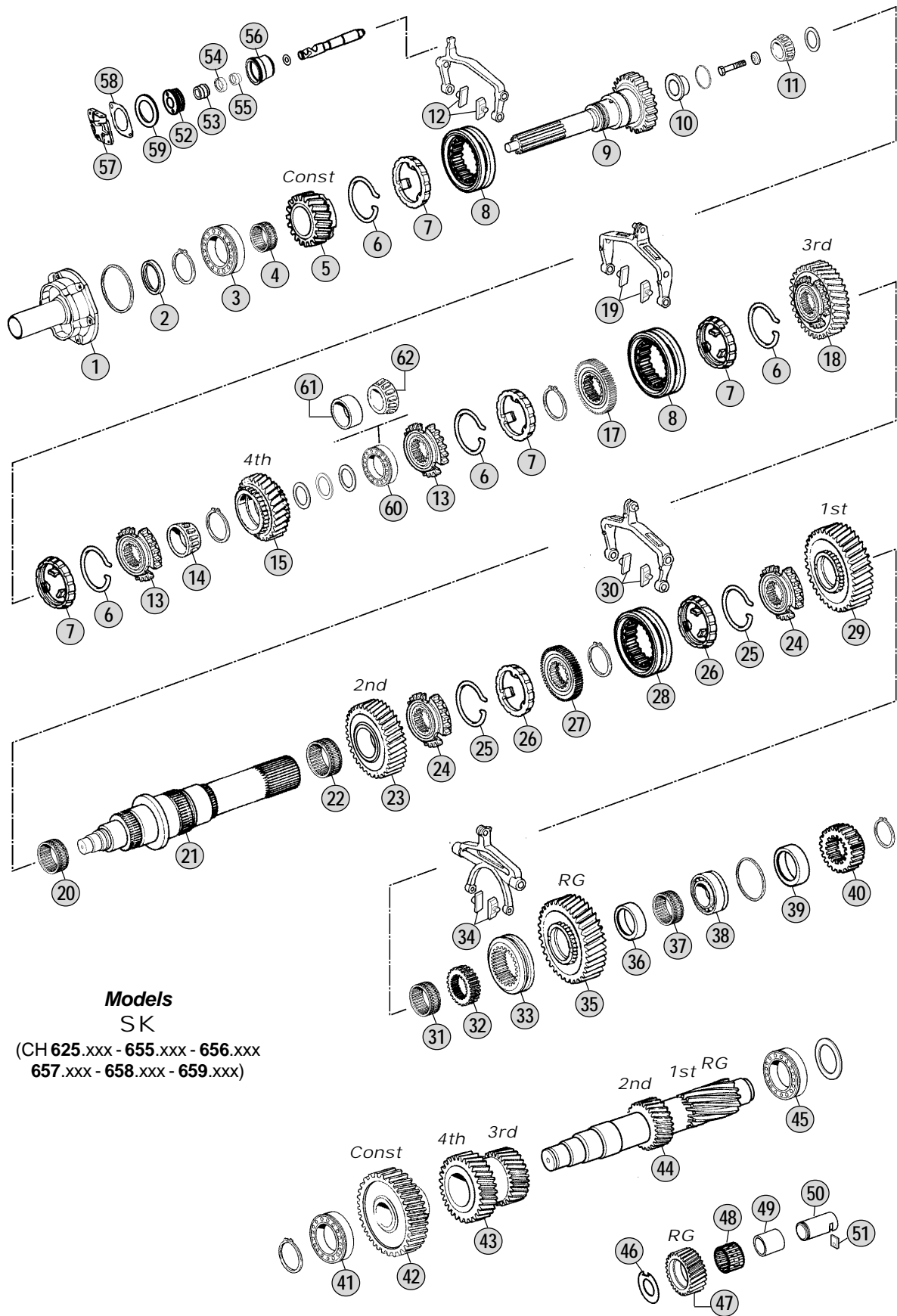
## Table

0160

16 Speeds  
G125-G135



Adattabile a : **MERCEDES**  
Suitable To :



**Models SK**  
 (CH 625.xxx - 655.xxx - 656.xxx  
 657.xxx - 658.xxx - 659.xxx)

**Models**

G125-16 / 14,0 - 1,00	714.720(EPS)-721-724-730(EPS)-731-732-733
G135-16 / 11,9 - 0,88	714.722(EPS)-723

Fig.	no.	Rif. MB	Description	Q.ty	Note	G125-16/14,0-1,0	G135-16/11,9-0,88			
28		M389 262 2923	Sliding Sleeve	1	(2)	LONG LIFE	●	●		
29		389 262 1411	Gear 1st Speed 38 T	1			●	●		
30		389 265 2349	Slide Fork	2		BRASS	●	●		
30		M389 265 2349	Slide Fork	2		IRON	●	●		
31		013 981 2510	Needle Cage	1	Up to Gearbox 073829		●	●		
31		014 981 4310	Needle Cage 75x83x45W	1	From Gearbox 073830		●	●		
32		389 262 0135	Synchronizer Hub	1			●	●		
33		389 262 1823	Sliding Sleeve	1	714.720-722-730		●	●		
33		389 262 1723	Sliding Sleeve	1	714.721/3/4-731/2/3		●	●		
34		945 265 0149	Slide Fork	2			●	●		
35		389 262 1633	Reverse Gear 34 T	1			●	●		
36		389 262 0150	Bush	1	(A)		●	●		
36		389 262 1250	Bush Th.33,00(78x62,6) mm	1	(B)		●	●		
37		013 981 1710	Needle Cage 78x86x33	1			●	●		
38		008 981 8005	Bearing 60x130x10,8	1			●	●		
39		389 262 6352	Spacer Th.14,6(74x60) mm	1			●	●		
40		389 262 0109	Sun Gear 25 T	1	(C)		●	●		
40		389 262 0309	Sun Gear 25 T	1	(D)		●	●		
41		010 981 5905	Bearing 45x100x27,5	1			●	●		
42		389 263 0510	Constant Gear 27 T	1			●			
42		389 263 0610	Constant Gear 23 T	1				●		
43		389 263 1513	Double Gear 4th/3rd Sp.-25/21 T	1			●	●		
44		389 263 0102	Countershaft 17/14 T	1	Up to Gearbox 073829		●	●		
44		389 263 0702	Countershaft 17/14 T	1	From Gearbox 073830		●	●		
45		010 981 5205	Bearing 55x110x28,4	1			●	●		
46		389 263 0062	Spacer Th.1,00(136,8x130) mm	1	(E)		●	●		
47		389 263 0131	Reverse Gear 18 T	1	(E)		●	●		
47		389 263 1431	Reverse Gear 18 T	1	(F)		●	●		
48		013 981 2210	Needle Cage 42x50x40	1			●	●		
49		389 263 0150	Bush	1	(E)		●	●		
49		389 263 0950	Bush (42x42) mm	1	(F)		●	●		
50		389 263 0130	Reverse Shaft	1			●	●		
51		945 263 0041	Key	1			●	●		
52		945 267 0218	Piston	1			●	●		
53		006 997 6447	Oil Seal 41x48x11,5	1			●	●		
54		387 267 0650	Bush Th.8(34x22) mm	1			●	●		
55		000 267 0197	Oil Seal 22x32x8	1			●	●		
56		389 267 3319	Cylinder	1			●	●		
57		389 267 2819	Cylinder	1			●	●		
58		387 263 3352	Gasket Th.0,20 mm	1			●	●		
58		387 263 3452	Gasket Th.0,40 mm	1			●	●		
58		387 263 3552	Gasket Th.0,60 mm	1			●	●		
58		387 263 3752	Gasket Th.1,00 mm	1			●	●		
59		007 997 4248	O Ring 63x3	1			●	●		
60		011 981 7705	Bearing 55x90x24	1	Old Type		●	●		

**Notes**

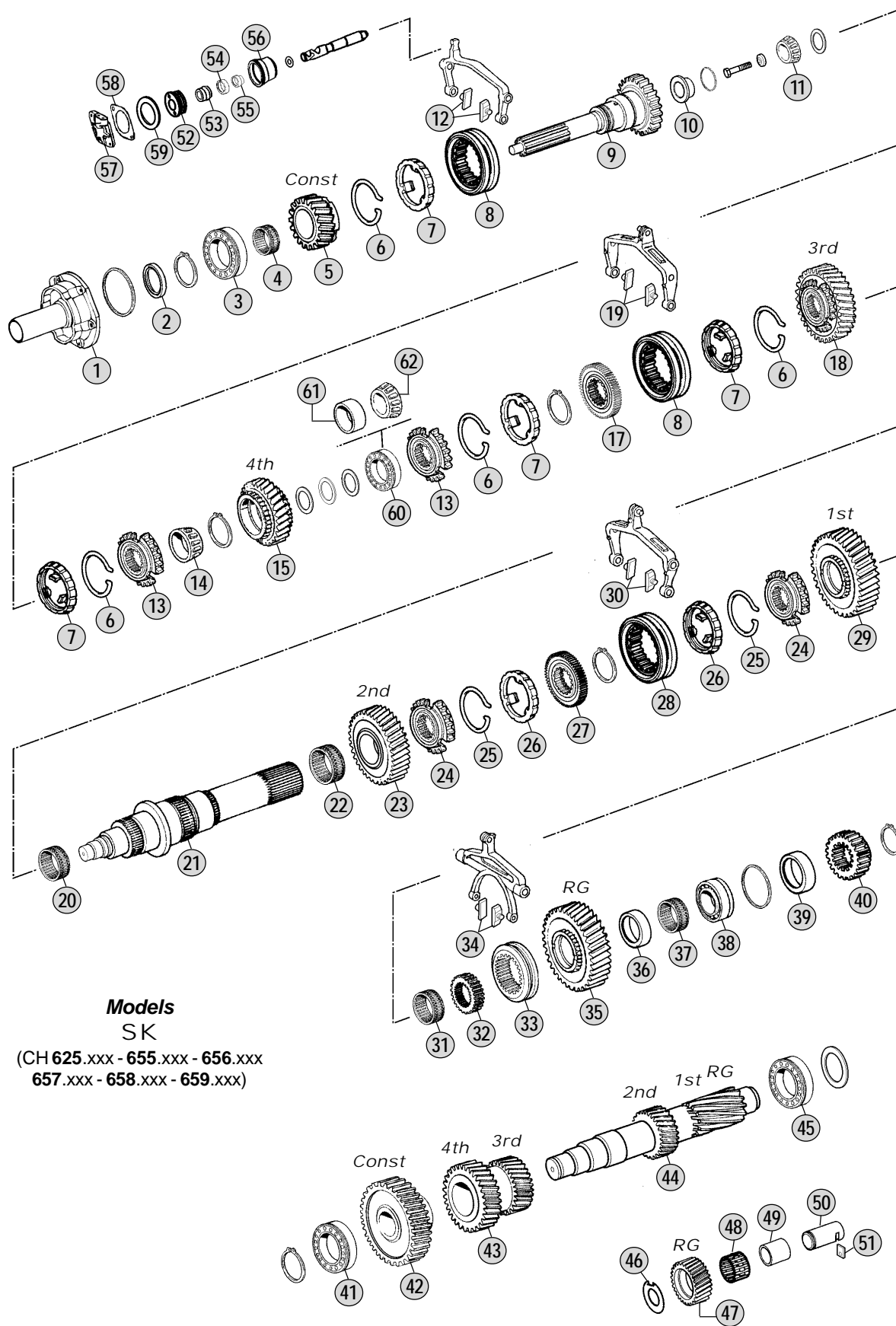
- (A) Up to gearbox 300439 (B) From gearbox 300440  
 (C) Up to gearbox 176366 - See GP section (table 0165) for the coupling  
 (D) From gearbox 176367 - See GP section (table 0165) for the coupling  
 (E) Up to 06/96 (F) From 07/96  
 (1) Up to gearbox 058288 (2) From gearbox 058289

**Date**

04 / 2011

**Table****0160**

Adattabile a : **MERCEDES**  
Suitable To :



**Models**  
SK  
(CH 625.xxx - 655.xxx - 656.xxx  
657.xxx - 658.xxx - 659.xxx)

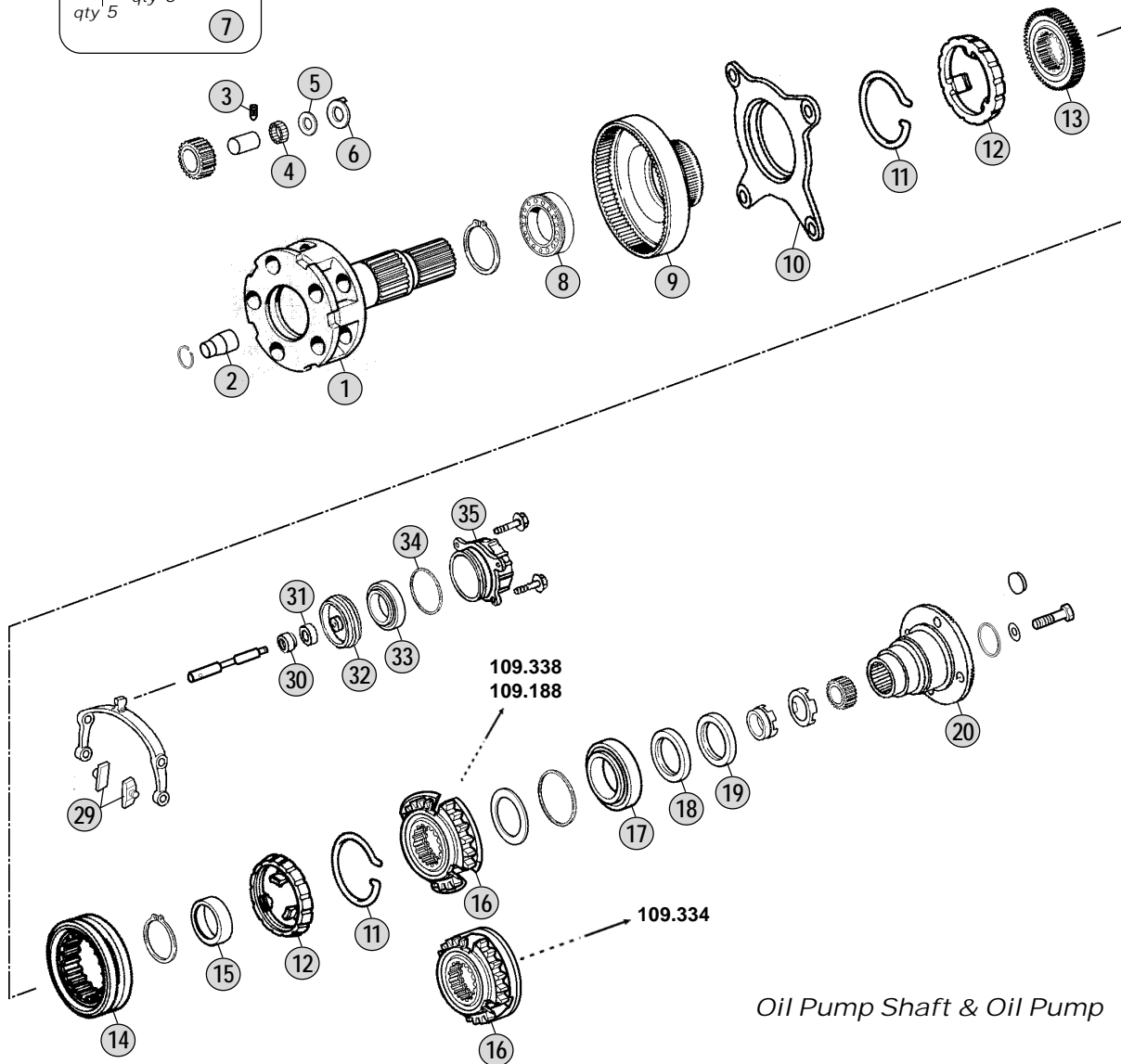
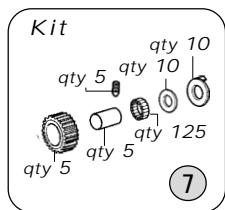
**Models**

G125-16 / 14,0 - 1,00	714.720(EPS)-721-724-730(EPS)-731-732-733
G135-16 / 11,9 - 0,88	714.722(EPS)-723

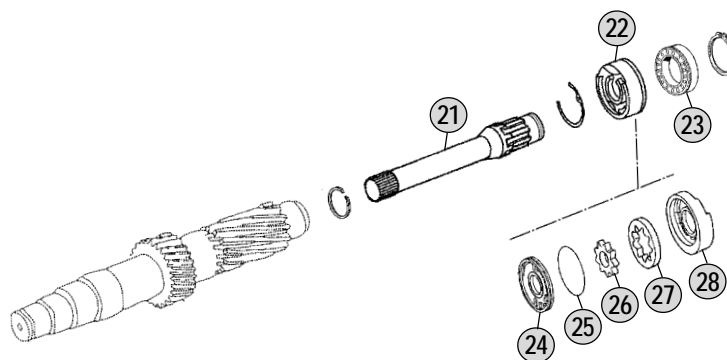


Adattabile a : **MERCEDES**  
Suitable To :

Modelli Cambio/ Gearbox Models  
**G125 - G135 (16 Speeds)**



**Models**  
**SK**  
(CH 625.xxx - 655.xxx - 656.xxx  
657.xxx - 658.xxx - 659.xxx)



**Models**

G125-16 / 14,0 - 1,00	714.720(EPS)-721-724-730(EPS)-731-732-733
G135-16 / 11,9 - 0,88	714.722(EPS)-723

Fig.	no.	Rif. MB	Description	Q.ty	Note	G125-16/174,0-1,0	G135-16/171,9-0,88			
1		389 260 0761	Planetary Carrier	1	(I)	Old Type	●	●		
1		389 260 7861	Planetary Carrier	1		New Type	●	●		
2		389 269 0334	Oil Tube	1		Old Type	●	●		
2		389 269 0134	Oil Tube	1		New Type	●	●		
3		000914 006109	Stud 6x14 mm	5			●	●		
4		001 981 3287	Needle	125			●	●		
5		389 262 0162	Spacer	10			●	●		
6		389 262 0262	Thrust Washer	10			●	●		
7		389 260 0197	Repair Kit	1	(C)		●	●		
7		389 260 0397	Repair Kit	1	(D)		●	●		
8		008 981 1325	Bearing 90x130x14	1			●	●		
9		389 262 0308	Crown Gear	1			●	●		
10		389 260 0936	Synchronizer Flange	1	(G)		●	●		
10		389 260 2036	Synchronizer Flange	1	(H)		●	●		
11		389 262 0293	Elastic Ring	2			●	●		
12		389 262 0537	Synchronizer Ring	2			●	●		
12		389 262 3337	Synchronizer Ring	2		LONG LIFE	●	●		
13		389 262 0535	Synchronizer Hub	1	(G)	Outer Teeth Z 72	●	●		
13		389 262 2035	Synchronizer Hub	1	(H)	Outer Teeth Z 73	●	●		
14		389 262 1523	Sliding Sleeve	1	(G)	Inner Teeth Z 72	●	●		
14		M389 262 1523	Sliding Sleeve	1	(G)	LONG LIFE Z 72	●	●		
14		945 262 6623	Sliding Sleeve	1	(H)	Inner Teeth Z 73	●	●		
14		M945 262 6623	Sliding Sleeve	1	(H)	LONG LIFE Z 73	●	●		
15		389 262 0251	Bush	1			●	●		
16		389 262 2334	Synchronizer Cone	1	(G)		●	●		
16		389 262 4034	Synchronizer Cone	1	(H)		●	●		
16		389 262 9134	Synchronizer Cone	1	(H)		●	●		
17		004 981 9325	Bearing 85x150x28	1			●	●		
18		013 997 7247	Oil Seal 95x115x13	1			●	●		
19		013 997 7347	Oil Seal 95x115x13	1			●	●		
20		389 262 0445	Output Flange D.180 mm	1			●	●		
21		389 269 1210	Oil Pump Shaft	1			●	●		
22		389 260 0690	Oil Pump	1		Old Type-Assembly	●	●		
23		004 981 9225	Bearing 45x75x16	1			●	●		
24		389 269 2601	Oil Pump Cover	1		New Type-Disassembled	●	●		
25		029 997 5748	O Ring	1		New Type-Disassembled	●	●		
26		389 269 1406	Oil Pump Gear	1		New Type-Disassembled	●	●		
27		389 269 0706	Oil Pump Hub	1		New Type-Disassembled	●	●		
28		947 269 1001	Oil Pump Housing	1		New Type-Disassembled	●	●		
29		389 265 2449	Slide Fork	2		BRASS	●	●		
29		M389 265 2449	Slide Fork	2		IRON	●	●		
30		000 267 0197	Oil Seal 22x32x8	1			●	●		
31		387 267 0650	Bush Th.8(34x22) mm	1			●	●		
32		389 267 1018	Cylinder	1			●	●		
33		024 997 8347	Oil Seal 77x90x17	1			●	●		

**Notes**

(C) Up to gearbox 176366 - See Sun Gear (table 0160) for the coupling  
(D) From gearbox 176367 - See Sun Gear (table 0160) for the coupling  
(G) Up to gearbox 201817 (H) From gearbox 201818  
(1) Old Planetary carrier is replaced by : 1 pc 389 260 7861 (fig.1) +  
+ 1 pc. 389 269 0134 (fig.2) + 1 pc.007993 040200 (retainer ring)

**Date**

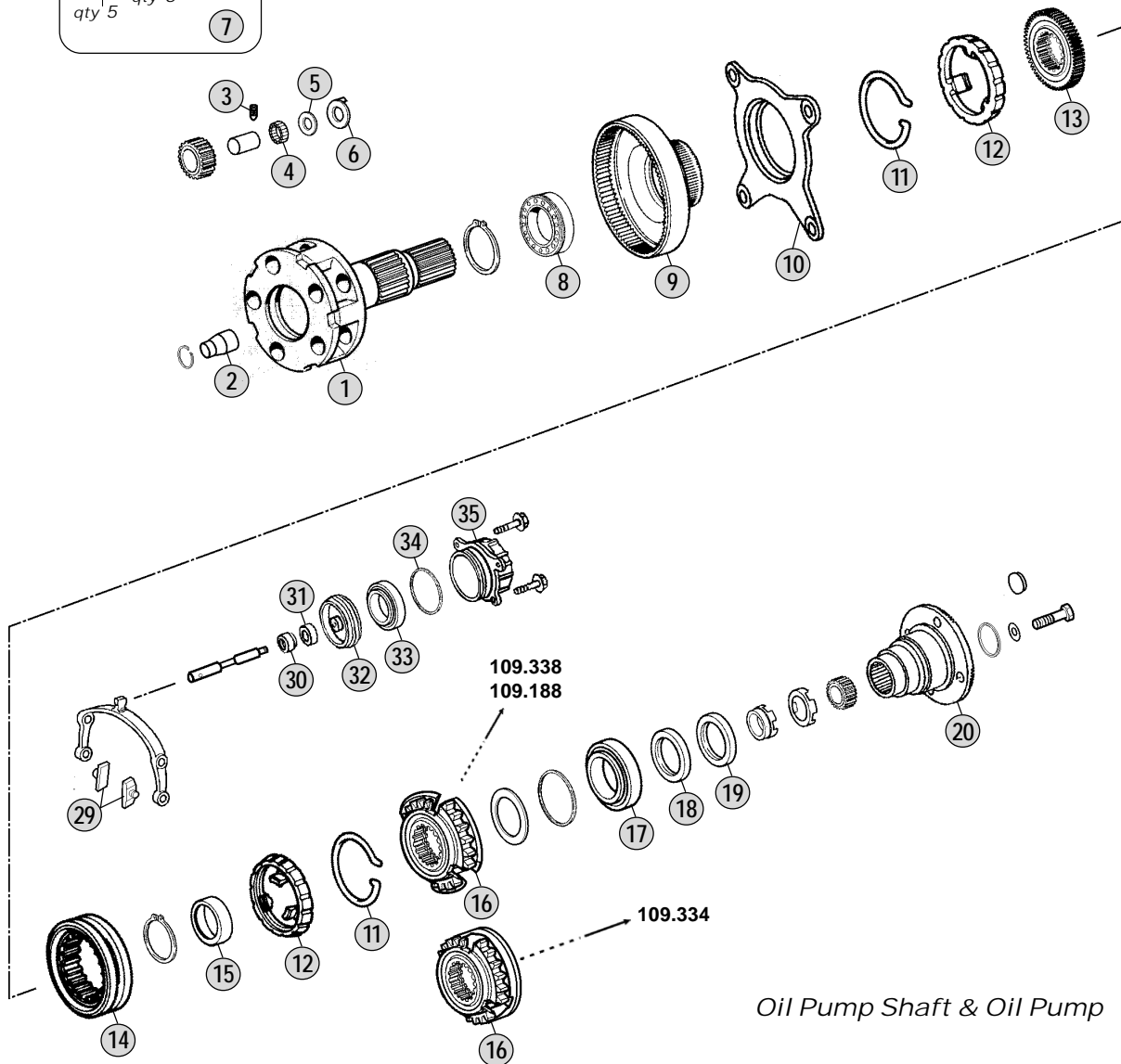
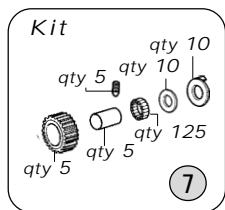
04 / 2011

**Table****0165**



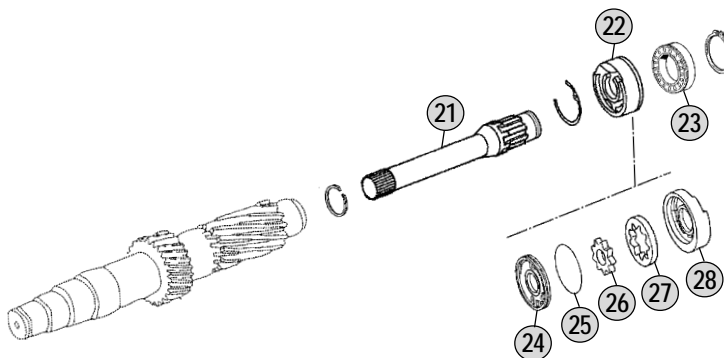
Adattabile a : **MERCEDES**  
Suitable To :

Modelli Cambio/ Gearbox Models  
**G125 - G135 (16 Speeds)**



Oil Pump Shaft & Oil Pump

**Models**  
**SK**  
(CH 625.xxx - 655.xxx - 656.xxx  
657.xxx - 658.xxx - 659.xxx)



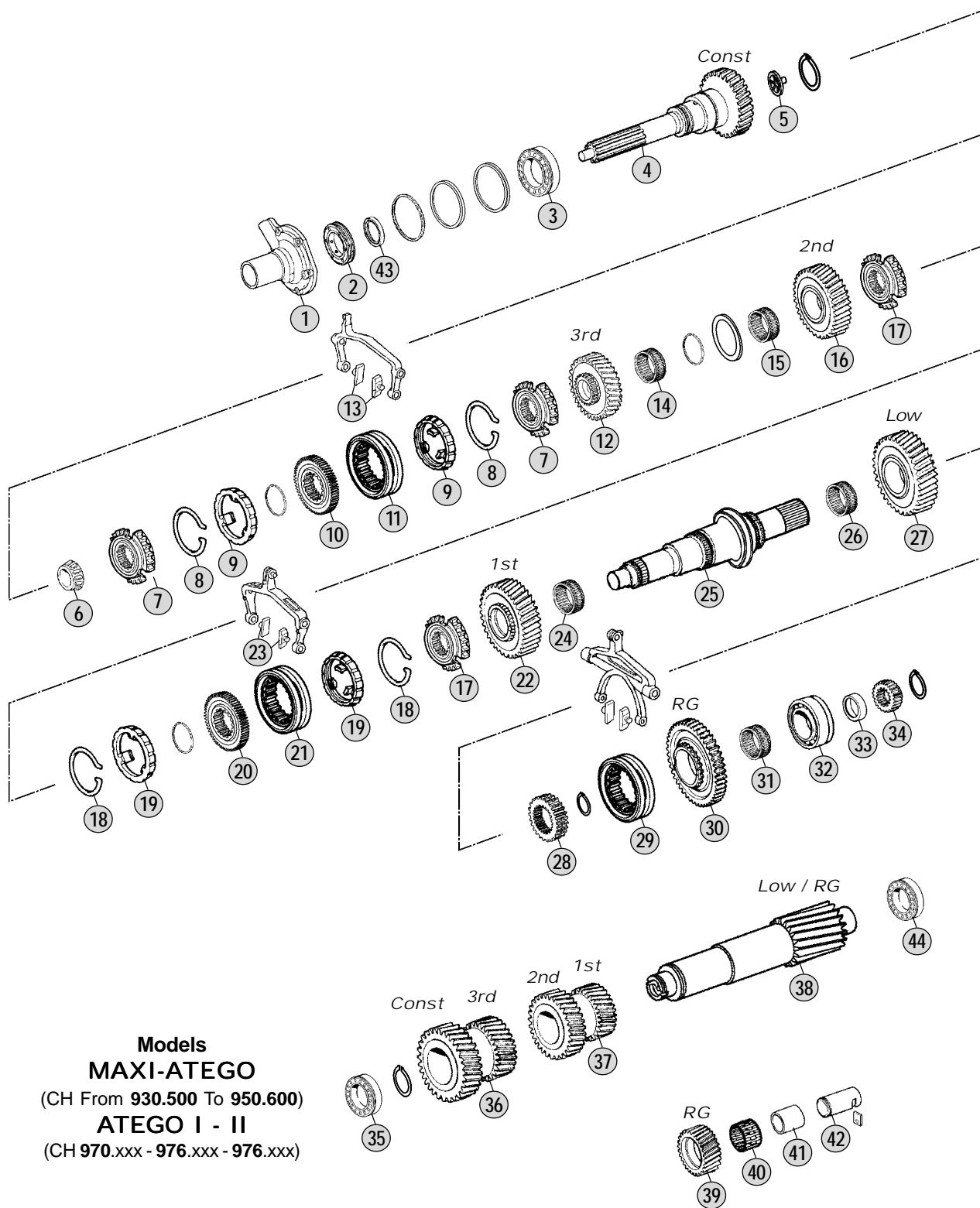
**Models**

G125-16 / 14,0 - 1,00	714.720(EPS)-721-724-730(EPS)-731-732-733
G135-16 / 11,9 - 0,88	714.722(EPS)-723



Adattabile a : **MERCEDES**  
 Suitable To :

Modelli Cambio/ Gearbox Models  
**G131 (9 Speeds)**



**Models**  
**MAXI-ATEGO**  
 (CH From 930.500 To 950.600)  
**ATEGO I - II**  
 (CH 970.xxx - 976.xxx - 976.xxx)

*Models*

G131-9 / 14,0 - 1,00 **714.570 - 576**

Fig.	no.	Rif. MB	Description	Q.ty	Note	G131	9/14,0-1,0			
1		947 261 0718	Front Cover	1		●				
1		947 261 0918	Front Cover	1		●				
2		947 261 0065	Ring	1		●				
3		016 981 1405	Bearing	1		●				
4		947 262 0902	Input Shaft 28 T	1		●				
4		947 262 1302	Input Shaft 28 T	1		●				
5		976 269 0034	Oil Collector	1		●				
6		016 981 1505	Bearing	1		●				
7		945 262 4034	Synchronizer Cone	2	(A)	●				
7		945 262 5734	Synchronizer Cone	2	(B)	●				
8		387 262 1093	Elastic Ring	2		●				
9		389 262 0637	Synchronizer Ring	2	(A)	●				
9		389 262 3137	Synchronizer Ring	2	(A) LONG LIFE	●				
9		947 260 0545	Synchronizer Ring	2	(B)	●				
9		CEI 119300	Synchronizer Ring	2	(B) LONG LIFE	●				
10		947 262 0435	Synchronizer Hub	1		●				
11		945 262 0323	Sliding Sleeve	1	(A)	●				
11		M945 262 0323	Sliding Sleeve	1	(A) LONG LIFE	●				
11		945 262 6823	Sliding Sleeve	1	(B)	●				
11		M945 262 6823	Sliding Sleeve	1	(B) LONG LIFE	●				
12		947 262 0613	Gear 3rd Speed 31 T	1		●				
13		947 265 0349	Slide Fork	2	BRASS	●				
13		M947 265 0349	Slide Fork	2	IRON	●				
14		019 981 6010	Needle Cage 60x68x54	1		●				
15		021 981 6510	Needle Cage	1		●				
16		947 262 0612	Gear 2nd Speed 36 T	1		●				
17		945 262 0334	Synchronizer Cone	2	(A)	●				
17		945 262 3634	Synchronizer Cone	2	(B)	●				
18		387 262 1093	Elastic Ring	2		●				
19		389 262 0637	Synchronizer Ring	2	(A)	●				
19		389 262 3137	Synchronizer Ring	2	(A) LONG LIFE	●				
19		947 260 0545	Synchronizer Ring	2	(B)	●				
19		CEI 119300	Synchronizer Ring	2	(B) LONG LIFE	●				
20		947 262 0135	Synchronizer Hub	1		●				
21		945 262 0323	Sliding Sleeve	1	(A)	●				
21		M945 262 0323	Sliding Sleeve	1	(A) LONG LIFE	●				
21		945 262 6823	Sliding Sleeve	1	(B)	●				
21		M945 262 6823	Sliding Sleeve	1	(B) LONG LIFE	●				
22		947 262 1911	Gear 1st Speed 40 T	1		●				
23		947 265 0349	Slide Fork	2	BRASS	●				
23		M947 265 0349	Slide Fork	2	IRON	●				
24		008 981 8310	Needle Cage 75x83x55W	1		●				
25		947 262 0305	Main Shaft	1		●				
26		021 981 5710	Needle Cage 75x83x33W	1		●				
27		947 262 1811	Gear Low Speed 41 T	1		●				

Notes

(A) Up to gearbox 018251  
 (B) From gearbox 018252

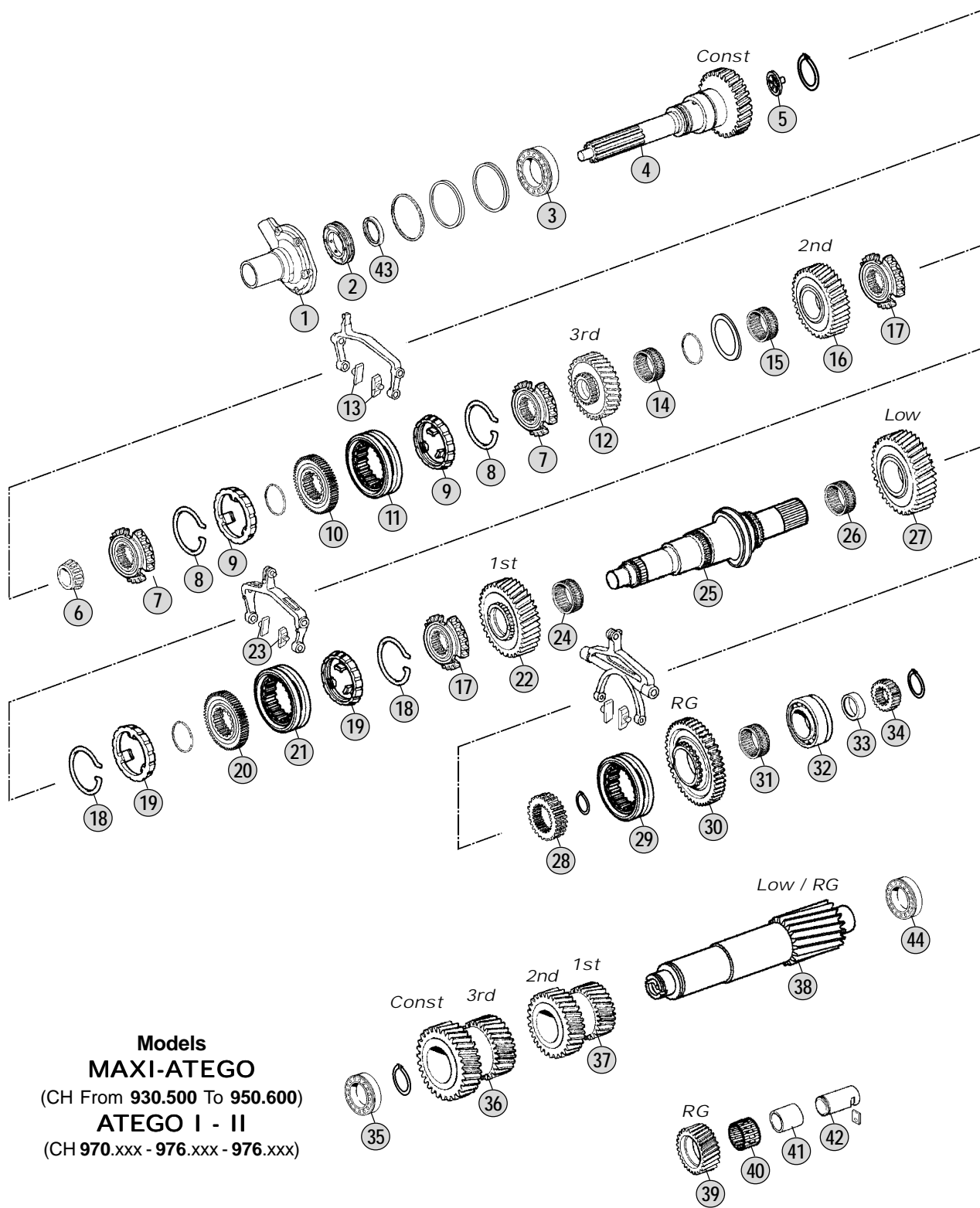
Date

04/ 2011

Table**0170**9 Speeds  
G131

Adattabile a : **MERCEDES**  
 Suitable To :

Modelli Cambio/ Gearbox Models  
**G131 (9 Speeds)**



**Models**  
**MAXI-ATEGO**  
 (CH From 930.500 To 950.600)  
**ATEGO I - II**  
 (CH 970.xxx - 976.xxx - 976.xxx)

**Models**

G131-9 / 14,0 - 1,00 **714.570 - 576**



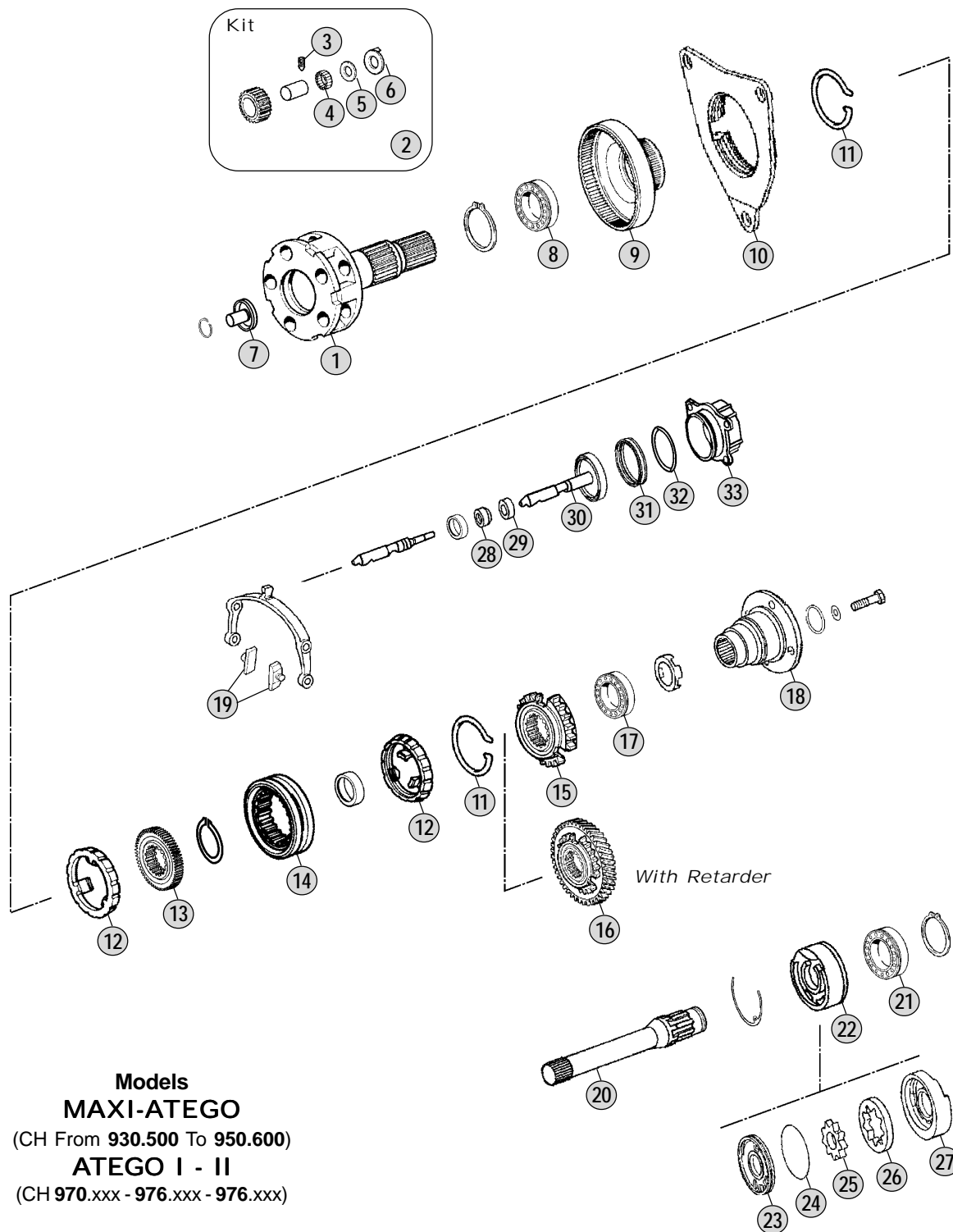


Adattabile a : **MERCEDES**

Suitable To :

Modelli Cambio/ Gearbox Models

**G131 (9 Speeds)**



**Models**  
**MAXI-ATEGO**  
 (CH From 930.500 To 950.600)  
**ATEGO I - II**  
 (CH 970.xxx - 976.xxx - 976.xxx)

*Models*

G131-9 / 14,0-1,00 **714.570 - 576**

Fig.	no.	Rif. MB	Description	Q.ty	Note	G131-9/14,0-1,0				
1		947 260 1961	Planetary Carrier	1		●				
2		947 260 0097	Kit Reduction	1		●				
3		000914 006109	Stud 6x14 mm	4		●				
4		000 981 6186	Needle 5x32,7	100		●				
5		389 262 0162	Spacer	8		●				
6		947 262 0362	Washer	8		●				
7		945 269 0834	Oil Tube	1		●				
8		008 981 9525	Bearing	1		●				
9		947 262 1208	Crown Gear	1		●				
10		947 260 0536	Synchronizer Flange	1	(A)	●				
10		947 260 0736	Synchronizer Flange	1	(B)	●				
11		389 262 0293	Elastic Ring	2		●				
12		389 262 0537	Synchronizer Ring	2	(A)	●				
12		389 262 3337	Synchronizer Ring	2	(A) LONG LIFE	●				
12		947 260 0945	Synchronizer Ring	2	(B)	●				
12		CEI 119298	Synchronizer Ring	2	(B) LONG LIFE	●				
13		389 262 2035	Synchronizer Hub	1		●				
14		945 262 6623	Sliding Sleeve	1	(A)	●				
14		M945 262 6623	Sliding Sleeve	1	(A) LONG LIFE	●				
14		945 262 6923	Sliding Sleeve	1	(B)	●				
14		M945 262 6923	Sliding Sleeve	1	(B) LONG LIFE	●				
15		947 262 0134	Synchronizer Cone	1	(A)	●				
15		947 262 0334	Synchronizer Cone	1	(B)	●				
16		947 264 0020	Synchronizer Cone (With Retarder)	1	(B) With Retarder	●				
17		009 981 0325	Ball Bearing	1		●				
18		947 262 0345	Output Flange D.150mm	1		●				
18		947 262 0445	Output Flange D.180mm	1		●				
19		389 265 2449	Slide Fork	2	(A) BRASS	●				
19		M389 265 2449	Slide Fork	2	(B) IRON	●				
19		947 265 0349	Slide Fork	2	(B) BRASS	●				
19		M947 265 0349	Slide Fork	2	(B) IRON	●				
20		947 269 1010	Oil Pump Shaft	1		●				
20		947 269 1110	Oil Pump Shaft	1		●				
21		008 981 5425	Bearing	1		●				
22		389 260 0690	Oil Pump	1	Old Type	●				
23		389 269 2601	Oil Pump Cover	1	New Type	●				
24		029 997 5748	O Ring	1	New Type	●				
25		389 269 1406	Oil Pump Gear	1	New Type	●				
26		389 269 0706	Oil Pump Hub	1	New Type	●				
27		947 269 1001	Oil Pump Housing	1	New Type	●				
28		000 267 0197	Oil Seal 22x32x8	1		●				
29		387 267 0650	Bush Th.8(34x22) mm	1		●				
30		930 260 2789	Cylinder	1		●				
30		930 260 2889	Cylinder	1		●				
31		024 997 8347	Oil Seal 77x90x17	1		●				

## Notes

(A) Up to gearbox 018251  
 (B) From gearbox 018252

## Date

04/ 2011

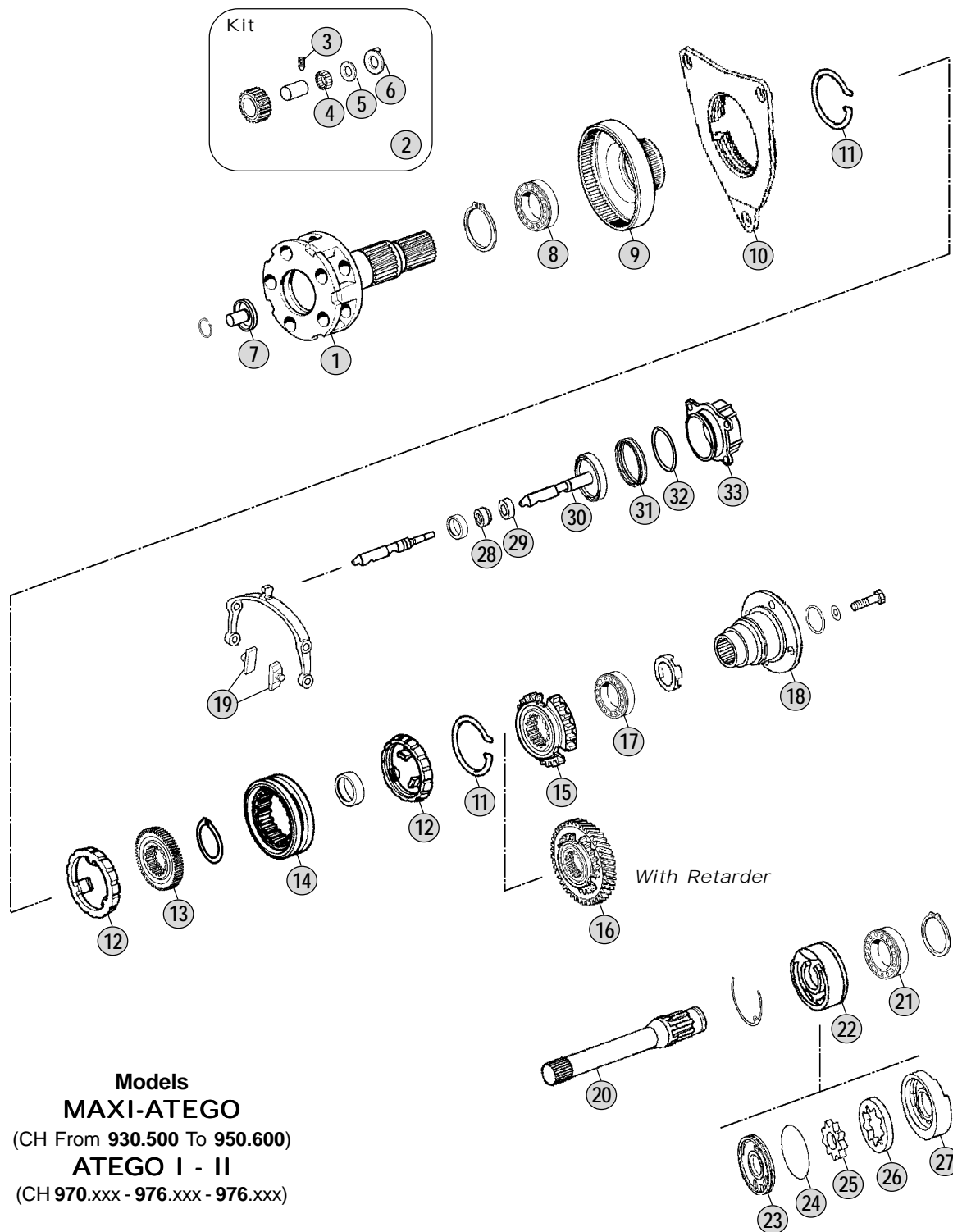
## Table

0175

9 Speeds  
G131

Adattabile a : **MERCEDES**  
Suitable To :

Modelli Cambio/ Gearbox Models  
**G131 (9 Speeds)**



**Models**  
**MAXI-ATEGO**  
 (CH From 930.500 To 950.600)  
**ATEGO I - II**  
 (CH 970.xxx - 976.xxx - 976.xxx)

*Models*

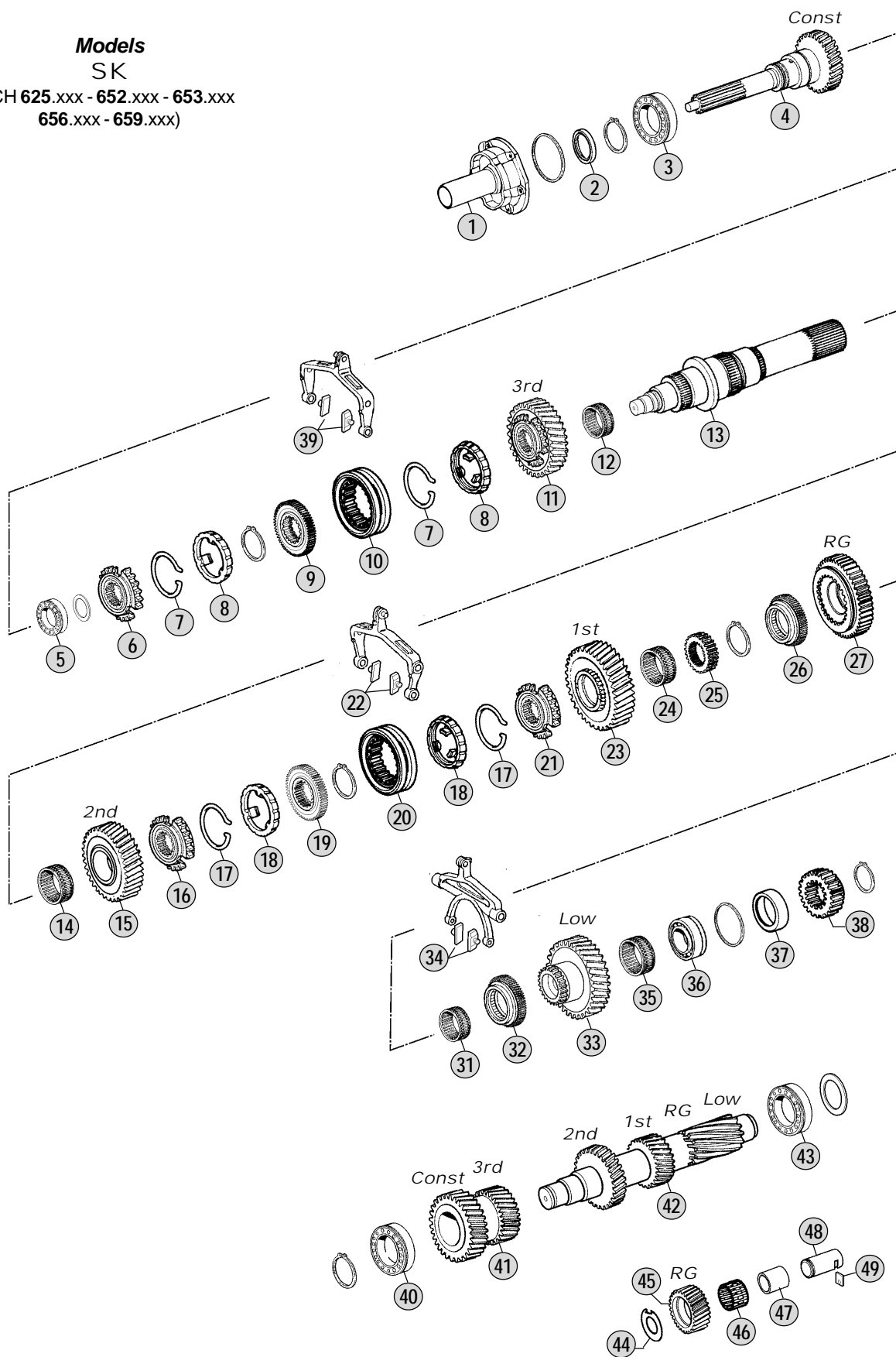
G131-9 / 14,0-1,00    **714.570 - 576**



Adattabile a : **MERCEDES**  
 Suitable To :

Modelli Cambio/ Gearbox Models  
**G155 (9 Speeds)**

**Models**  
**SK**  
 (CH 625.xxx - 652.xxx - 653.xxx  
 656.xxx - 659.xxx)



**Models**

G155 - 9 / 15,9 - 1,00      714.741-742-744-745-750-753-754-755-756-757-758-759

Fig.	no.	Rif. MB	Description	Q.ty	Note	G155-9/15,9-1,0				
1		389 261 3318	Front Cover	1		●				
2		024 997 3047	Seal Ring 52x68x8 mm	1		●				
3		011 981 1305	Bearing 75x140x34,3	1		●				
4		389 262 3502	Input Shaft 24 T	1		●				
5		008 981 2805	Bearing 40x90,9x32	1	Oem	●				
5		008 981 2805	Bearing 40x90,9x32	1	A.Market	●				
6		389 262 5634	Synchronizer Cone	1		●				
7		387 262 1093	Elastic Ring	2		●				
8		389 262 0637	Synchronizer Ring	2		●				
8		389 262 3137	Synchronizer Ring	2	LONG LIFE	●				
9		389 262 0635	Synchronizer Hub	1		●				
10		389 262 3023	Sliding Sleeve	1		●				
10		M389 262 3023	Sliding Sleeve	1	LONG LIFE	●				
11		389 262 1013	Gear 3rd Speed 27 T	1		●				
12		009 981 1410	Needle Cage 75x83x48	1		●				
13		389 262 1305	Main Shaft	1		●				
14		018 981 6610	Needle Cage K85x93x53ZWD	1		●				
15		389 262 1412	Gear 2nd Speed 34 T	1		●				
16		389 262 0534	Synchronizer Cone	1		●				
17		387 262 0893	Elastic Ring	2		●				
18		389 262 0737	Synchronizer Ring	2		●				
18		389 262 3237	Synchronizer Ring	1	LONG LIFE	●				
19		389 262 0035	Synchronizer Hub	1		●				
20		389 262 2923	Sliding Sleeve	1		●				
20		M389 262 2923	Sliding Sleeve	1	LONG LIFE	●				
21		945 262 0434	Synchronizer Cone	1		●				
22		389 265 2349	Slide Fork	2	BRASS	●				
22		M389 265 2349	Slide Fork	2	IRON	●				
23		389 262 1711	Gear 1st Speed 41 T	1		●				
24		008 981 8310	Needle Cage 75x83x55W	1		●				
25		389 262 0435	Synchronizer Hub	1		●				
26		389 262 0223	Sliding Sleeve	1		●				
27		389 262 0533	Reverse Gear 36 T	1		●				
31		013 981 5310	Needle Cage 88x100x42	1		●				
32		389 262 0040	Synchronizer Hub	1		●				
33		389 262 0211	Gear Low 39 T	1		●				
34		945 265 0149	Slide Fork	2		●				
35		013 981 6510	Needle Cage 60x72x70W	1		●				
36		014 981 6105	Bearing 60x130x30	1		●				
37		389 262 0152	Spacer Th.20,3(74x60) mm	1	(A)	●				
37		389 262 3754	Spacer Th.18(74x60) mm	1	(B)	●				
38		389 262 0409	Sun Gear 25 T	1	(A)	●				
38		389 262 0209	Sun Gear 25 T	1	(B)	●				
39		389 265 2349	Slide Fork	2	BRASS	●				
39		M389 265 2349	Slide Fork	2	IRON	●				

## Notes

- (A) Up to gearbox 182425 - See GP section (table 0185) for the coupling  
 (B) From gearbox 182426 - See GP section (table 0185) for the coupling  
 (C) Up to 06/96  
 (D) From 07/96

## Date

04 / 2011

## Table

0180

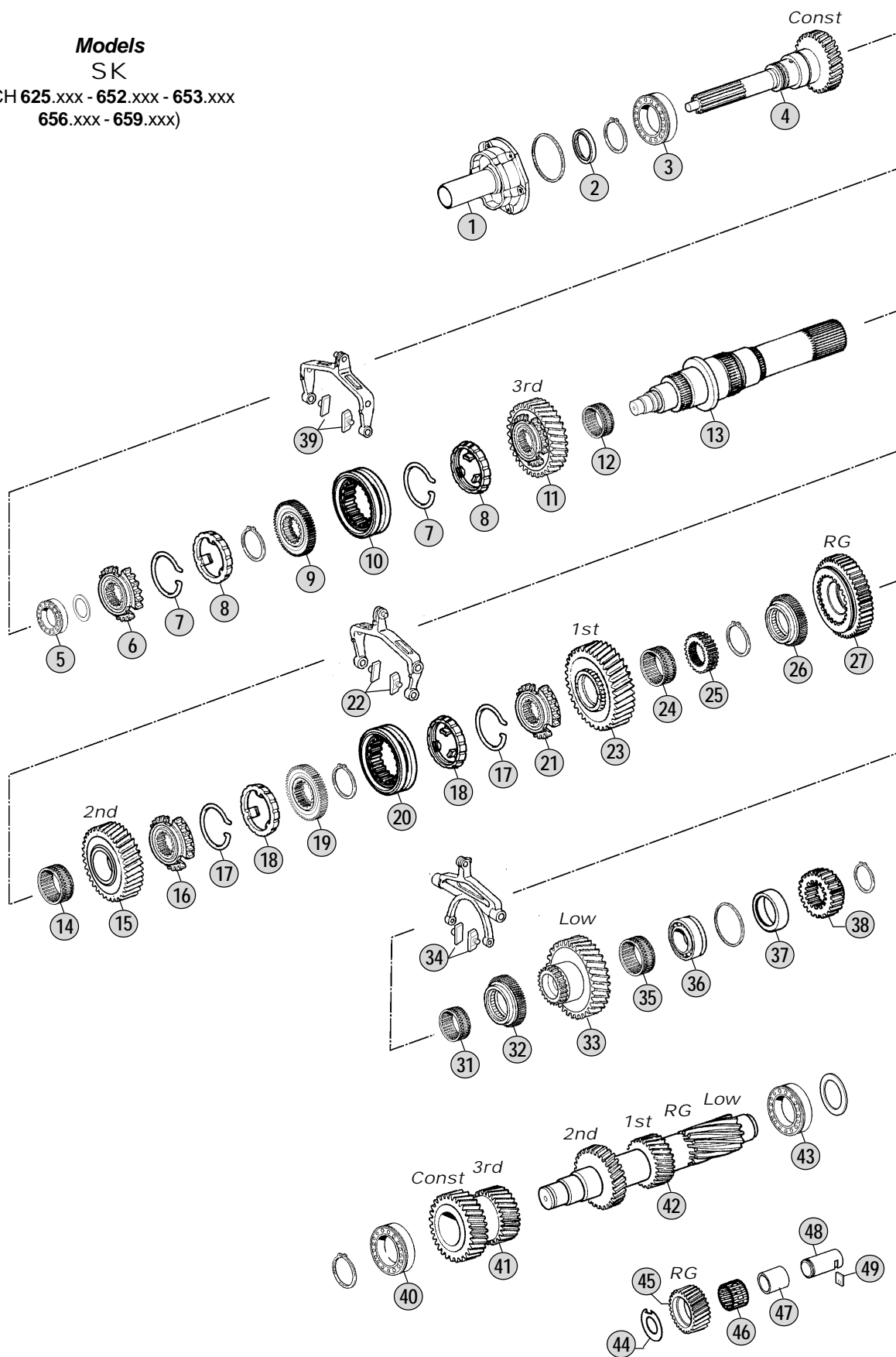


Adattabile a : **MERCEDES**  
 Suitable To :

Modelli Cambio/ Gearbox Models  
**G155 (9 Speeds)**

**Models**

**SK**  
 (CH 625.xxx - 652.xxx - 653.xxx  
 656.xxx - 659.xxx)



All original equipment manufacturers' numbers, symbols, pictures, models and description used in this catalogue are for reference only, and it is not implied that any part listed is the product of these manufactures. Tutti i nostri particolari non sono originali ma con essi intercambiabili. I riferimenti originali, le figure, i modelli sono esposti a semplice titolo indicativo. La nostra produzione riporta il nostro marchio.

**Models**

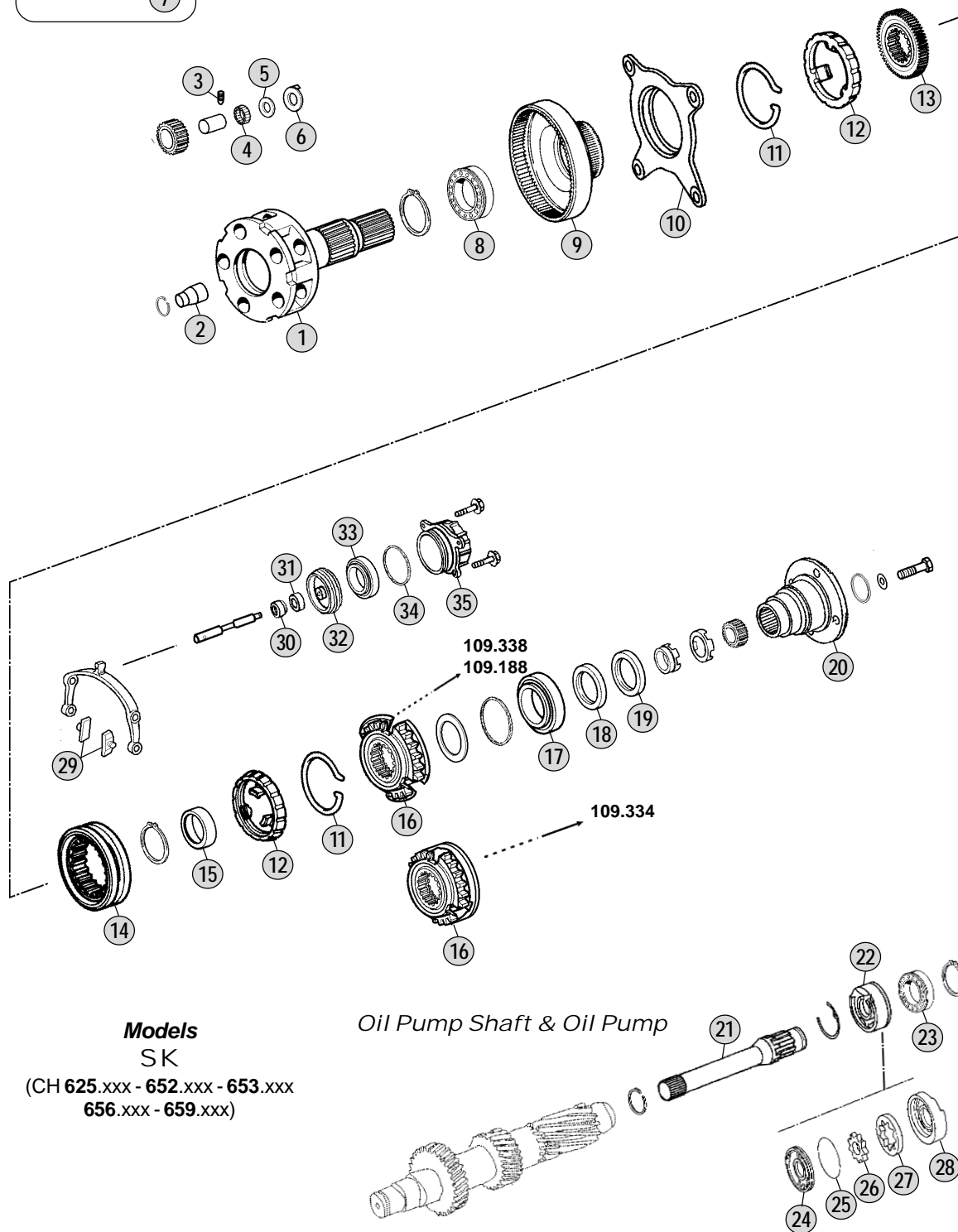
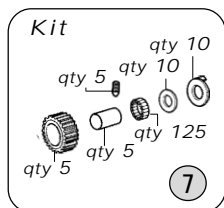
G155 - 9 / 15,9 - 1,00      714.741-742-744-745-750-753-754-755-756-757-758-759





Adattabile a : **MERCEDES**  
 Suitable To :

Modelli Cambio/ Gearbox Models  
**G155 (9 Speeds)**



**Models**  
**SK**

(CH 625.xxx - 652.xxx - 653.xxx  
 656.xxx - 659.xxx)

*Oil Pump Shaft & Oil Pump*

**Models**

G155 - 9 / 15,9 - 1,00

714.741-742-744-745-750-753-754-755-756-757-758-759

Fig.	no.	Rif. MB	Description	Q.ty	Note	G155.9/15.9-1.0				
1		389 260 0661	Planetary Carrier	1	(A)	●				
1		389 260 8961	Planetary Carrier	1	(B)	●				
2		389 269 0134	Oil Tube	1		●				
3		000914 006109	Stud 6x14 mm	5		●				
4		001 981 2887	Needle 5x36,7	125	(A)	●				
4		000 981 4186	Needle 5x39,8	125	(B)	●				
5		389 262 0162	Spacer	10		●				
6		389 262 0262	Thrust Washer	10		●				
7		389 260 0297	Repair Kit	1	(A)	●				
7		389 260 0497	Repair Kit	1	(B)	●				
8		008 981 1325	Bearing 90x130x14	1		●				
9		389 262 0208	Crown Gear 80 T	1		●				
10		389 260 0936	Synchronizer Flange	1	(E)	●				
10		389 260 2036	Synchronizer Flange	1	(F)	●				
11		389 262 0293	Elastic Ring	2		●				
12		389 262 0537	Synchronizer Ring	2		●				
12		389 262 3337	Synchronizer Ring	2	LONG LIFE	●				
13		389 262 0535	Synchronizer Hub	1	(E) Outer Teeth Z 72	●				
13		389 262 2035	Synchronizer Hub	1	(F) Outer Teeth Z 73	●				
14		389 262 1523	Sliding Sleeve	1	(E) Inner Teeth Z 72	●				
14		M389 262 1523	Sliding Sleeve	1	(E) LONG LIFE Z 72	●				
14		945 262 6623	Sliding Sleeve	1	(F) Inner Teeth Z 73	●				
14		M945 262 6623	Sliding Sleeve	1	(F) LONG LIFE Z 73	●				
15		389 262 0251	Bush	1		●				
16		389 262 2334	Synchronizer Cone	1	(E)	●				
16		389 262 4034	Synchronizer Cone	1	(F)	●				
16		389 262 9134	Synchronizer Cone	1	(F)	●				
17		004 981 9325	Bearing 85x150x28	1		●				
18		013 997 7247	Oil Seal 95x115x13	1		●				
19		013 997 7347	Oil Seal 95x115x13	1		●				
20		389 262 0445	Output Flange D.180 mm	1		●				
21		389 269 1210	Oil Pump Shaft	1		●				
22		389 260 0690	Oil Pump	1	Old Type-Assembly	●				
23		004 981 9225	Bearing 45x75x16	1		●				
24		389 269 2601	Oil Pump Cover	1	New Type-Disassembled	●				
25		029 997 5748	O Ring	1	New Type-Disassembled	●				
26		389 269 1406	Oil Pump Gear	1	New Type-Disassembled	●				
27		389 269 0706	Oil Pump Hub	1	New Type-Disassembled	●				
28		947 269 1001	Oil Pump Housing	1	New Type-Disassembled	●				
29		389 265 2449	Slide Fork	2	BRASS	●				
29		M389 265 2449	Slide Fork	2	IRON	●				
30		000 267 0197	Oil Seal 22x32x8	1		●				
31		387 267 0650	Bush Th.8(34x22) mm	1		●				
32		389 267 1018	Cylinder	1		●				
33		024 997 8347	Oil Seal 77x90x17	1		●				

## Notes

- (A) Up to gearbox 182425 - See Sun gear (table 0180) for the coupling  
 (B) From gearbox 182426 - See Sun gear (table 0180) for the coupling  
 (E) Up to gearbox 201817  
 (F) From gearbox 201818

## Date

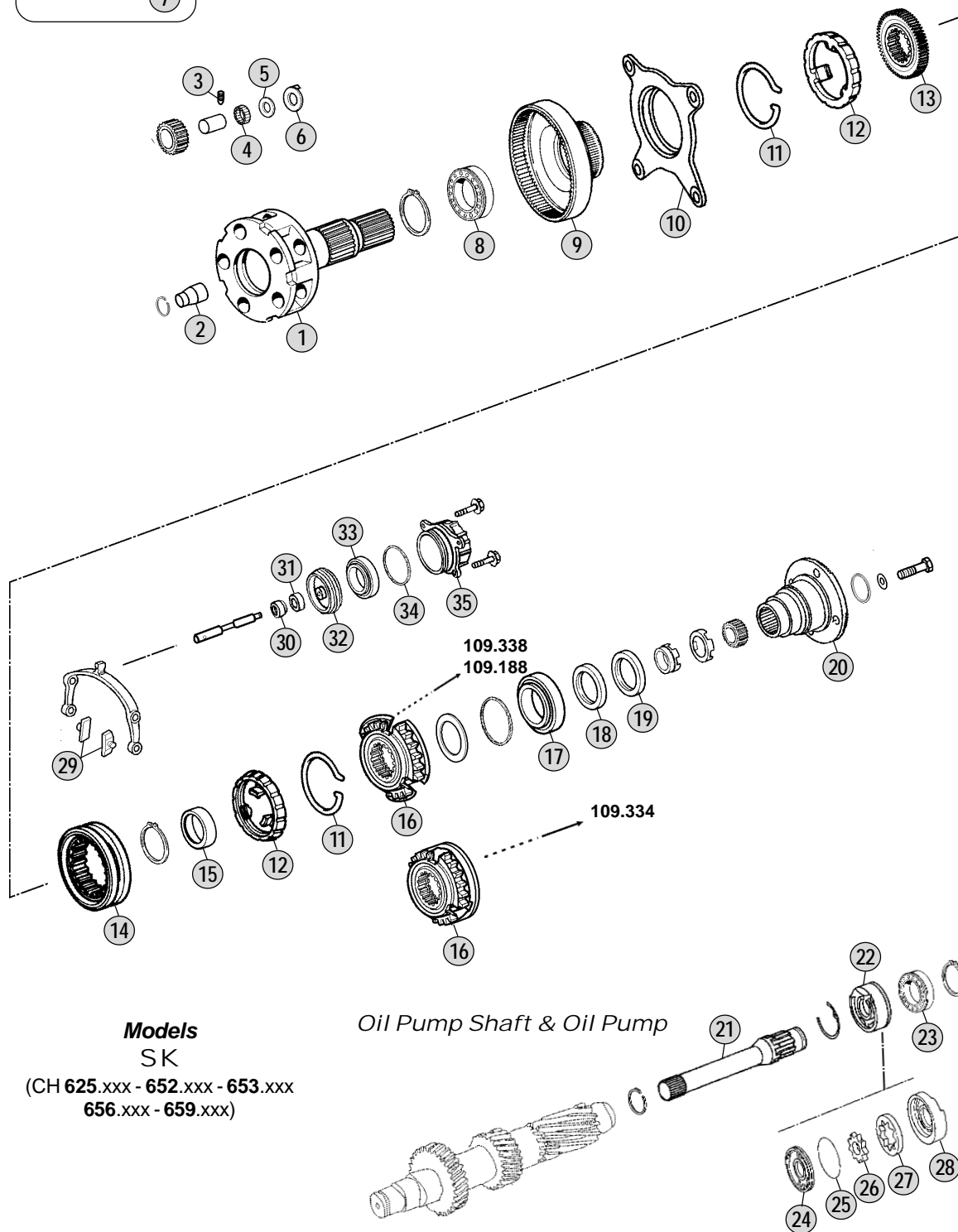
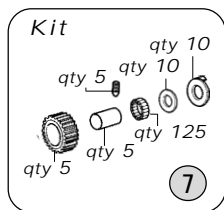
04 / 2011

## Table

0185

Adattabile a : **MERCEDES**  
 Suitable To :

Modelli Cambio/ Gearbox Models  
**G155 (9 Speeds)**



**Models**  
**SK**

(CH 625.xxx - 652.xxx - 653.xxx  
 656.xxx - 659.xxx)

Oil Pump Shaft & Oil Pump

**Models**

G155 - 9 / 15,9 - 1,00      714.741-742-744-745-750-753-754-755-756-757-758-759



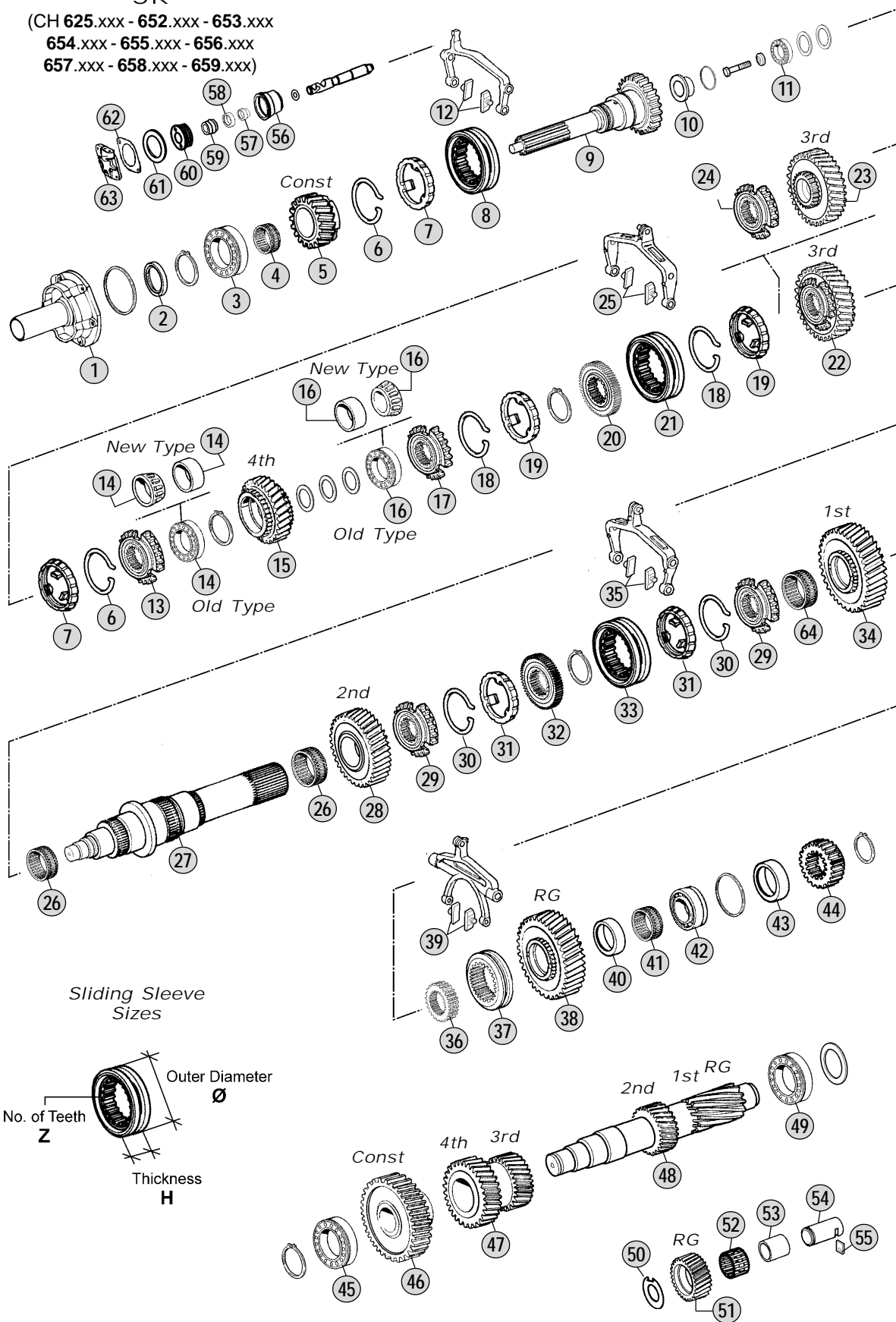


Adattabile a : **MERCEDES**  
Suitable To :

**Models**

SK

(CH 625.xxx - 652.xxx - 653.xxx  
654.xxx - 655.xxx - 656.xxx  
657.xxx - 658.xxx - 659.xxx)



**Models**

G155 - 16 / 11,9 - 0,88 **714.704(EPS)-705-709-715-716-717-782-786-787-792(EPS)**

G155 - 16 / 14,0 - 1,00 **714.701(EPS)-702-708-710-711-712(EPS)-713(EPS)-714-719-785-790-791**

Fig.	no.	Rif. MB	Description	Q.ty	Note	G155-16/17,9-0,88	G155-16/14,0-1,0			
1		389 261 3318	Front Cover	1		●	●			
2		024 997 3047	Seal Ring 52x68x8 mm	1		●	●			
3		011 981 1305	Bearing 75x140x34,3	1		●	●			
4		009 981 1610	Needle Cage K85x93x37ZW	1		●	●			
5		389 262 2910	Constant Gear 26 T	1	(ABC)	●				
5		389 262 7710	Constant Gear 26 T	1	(DEF)	●				
5		389 262 2810	Constant Gear 22 T	1	(ABC)		●			
5		389 262 2210	Constant Gear 22 T	1	(DEF)		●			
6		387 262 1093	Elastic Ring	2		●	●			
7		389 262 0637	Synchronizer Ring	2		●	●			
7		389 262 3137	Synchronizer Ring	2	LONG LIFE	●	●			
8		387 262 1523	Sliding Sleeve	1	(A) D.198-H33-Z60	●	●			
8		M387 262 1523	Sliding Sleeve	1	(A) LONG LIFE	●	●			
8		389 262 3023	Sliding Sleeve	1	(BCDEF) D.198-H31-Z60	●	●			
8		M389 262 3023	Sliding Sleeve	1	(BCDEF) LONG LIFE	●	●			
9		389 262 1201	Input Shaft	1	(ABC) Repl.by 389 262 3701	●	●			
9		389 262 3701	Input Shaft 60 T	1	(ABC)	●	●			
9		389 262 2901	Input Shaft 60 T	1	(DEF)	●	●			
10		018 997 7147	Oil Deflector	1		●	●			
11		008 981 2805	Bearing 40x90,9x32	1	Oem	●	●			
11		008 981 2805	Bearing 40x90,9x32	1	A.Market	●	●			
12		389 265 2449	Slide Fork	2	BRASS	●	●			
12		M389 265 2449	Slide Fork	2	IRON	●	●			
13		389 262 5634	Synchronizer Cone	1		●	●			
14		011 981 7605	Bearing 50x90x32	1	Oem Old Type	●	●			
14		011 981 7605	Bearing 50x90x32	1	A.Market Old Type	●	●			
14		015 981 7605	Bearing 50x85x41	1	New Type	●	●			
14		002 981 1680	Ring D.90	1	New Type	●	●			
15		389 262 1110	Gear 4th Speed 24 T	1	(A)	●	●			
15		389 262 3710	Gear 4th Speed 24 T	1	(BC)	●	●			
15		389 262 5510	Gear 4th Speed 24 T	1	(DE)	●	●			
15		389 262 5610	Gear 4th Speed 24 T	1	(F)	●	●			
16		011 981 7705	Bearing 55x90x24	1	Old Type	●	●			
16		002 981 1580	Ring D.90	1	New Type	●	●			
16		CEI 130547	Bearing 55x24	1	New type	●	●			
17		389 262 5634	Synchronizer Cone	1	(ABCDE)	●	●			
17		945 262 0534	Synchronizer Cone	2	(F)	●	●			
18		387 262 1093	Elastic Ring	2	(ABCDE)	●	●			
18		387 262 0893	Elastic Ring	2	(F)	●	●			
19		389 262 0637	Synchronizer Ring	2	(ABCDE)	●	●			
19		389 262 3137	Synchronizer Ring	2	(ABCDE) LONG LIFE	●	●			
19		389 262 0737	Synchronizer Ring	2	(F)	●	●			
19		389 262 3237	Synchronizer Ring	2	(F) LONG LIFE	●	●			
20		389 262 0635	Synchronizer Hub	2	(ABCDE)	●	●			
20		389 262 1535	Synchronizer Hub	2	(F)	●	●			

## Notes

(A) Up to gearbox 058288 (B) From gearbox 058289 (C) Up to gearbox 182425  
 (D) From gearbox 182426 (E) Up to gearbox 297456 (F) From gearbox 297457  
 (G) Up to gearbox 182425 - See GP section (table 0195) for the coupling  
 (H) From gearbox 182426 - See GP section (table 0195) for the coupling  
 (L) Up to 06/96 (M) From 07/96

## Date

04 / 2011

## Table

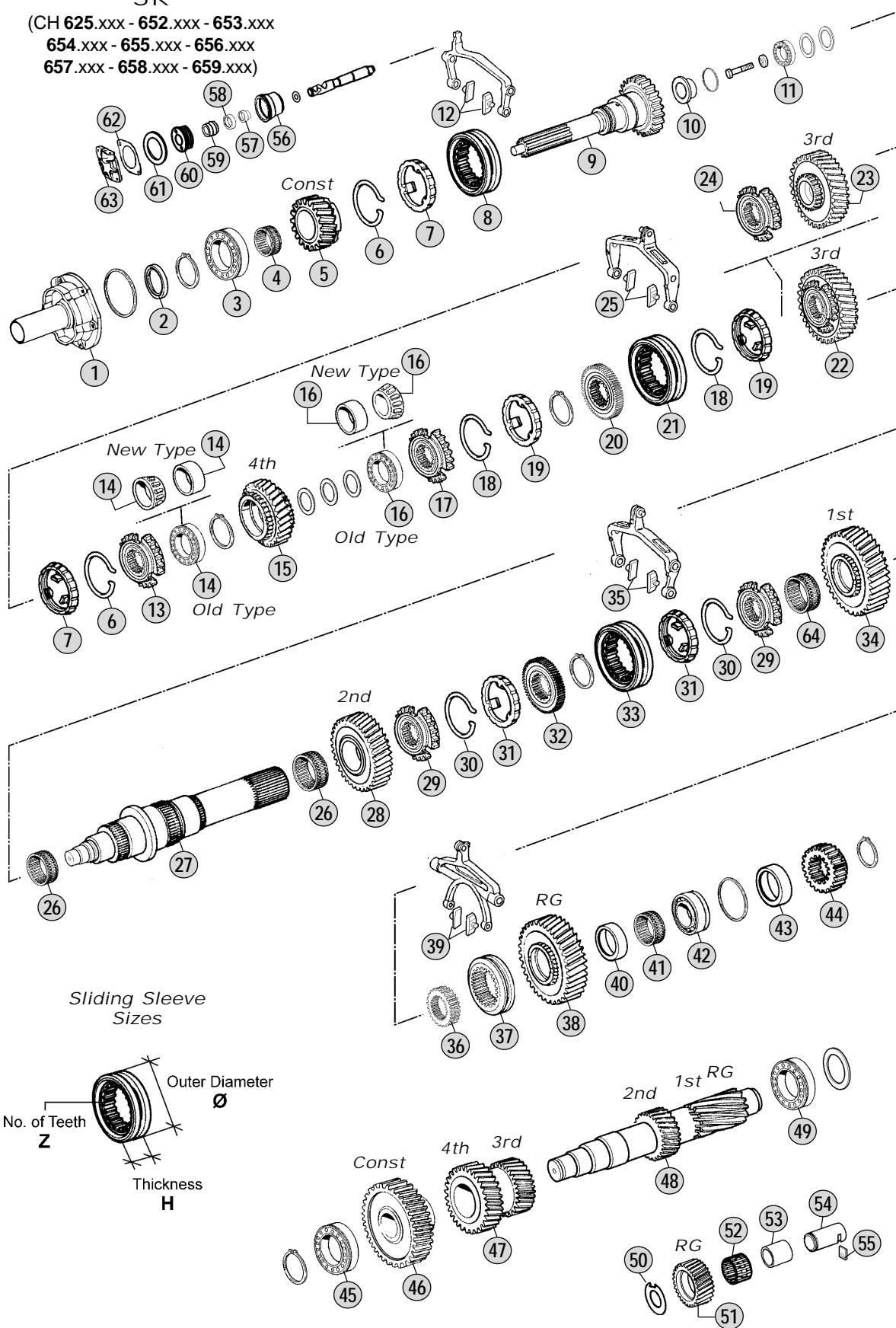
0190

Adattabile a : **MERCEDES**  
Suitable To :

**Models**

SK

(CH 625.xxx - 652.xxx - 653.xxx  
654.xxx - 655.xxx - 656.xxx  
657.xxx - 658.xxx - 659.xxx)



**Models**

G155 - 16 / 11,9 - 0,88 **714.704(EPS)-705-709-715-716-717-782-786-787-792(EPS)**

G155 - 16 / 14,0 - 1,00 **714.701(EPS)-702-708-710-711-712(EPS)-713(EPS)-714-719-785-790-791**

Fig.	no.	Rif. MB	Description	Q.ty	Note	G155-16/17,9-0,88	G155-16/14,0-1,0			
21		387 262 1523	Sliding Sleeve	1	(A)	D.198-H33-Z60	●	●		
21		M387 262 1523	Sliding Sleeve	1	(A)	LONG LIFE	●	●		
21		389 262 3023	Sliding Sleeve	1	(BCDE)	D.198-H31-Z60	●	●		
21		M389 262 3023	Sliding Sleeve	1	(BCDE)	LONG LIFE	●	●		
21		389 262 2923	Sliding Sleeve	1	(F)	D.218-H31-Z66	●	●		
21		M389 262 2923	Sliding Sleeve	1	(F)	LONG LIFE	●	●		
22		389 262 0313	Gear 3rd Speed 28 T	1	(A)		●	●		
22		389 262 1413	Gear 3rd Speed 28 T	1	(BCDE)		●	●		
23		389 262 2113	Gear 3rd Speed 28 T	1	(F)		●	●		
24		945 262 0534	Synchronizer Cone	1	(F)		●	●		
25		389 265 2349	Slide Fork	2		BRASS	●	●		
25		M389 265 2349	Slide Fork	2		IRON	●	●		
26		018 981 6610	Needle Cage K85x93x53ZWD	2			●	●		
27		389 262 1505	Main Shaft	1			●	●		
28		389 262 0312	Gear 2nd Speed 32 T	1	(A)		●	●		
28		389 262 1312	Gear 2nd Speed 32 T	1	(BCDEF)		●	●		
29		945 262 0434	Synchronizer Cone	2			●	●		
30		387 262 0893	Elastic Ring	2			●	●		
31		389 262 0737	Synchronizer Ring	2			●	●		
31		389 262 3237	Synchronizer Ring	2		LONG LIFE	●	●		
32		389 262 0035	Synchronizer Hub	1			●	●		
33		387 262 0623	Sliding Sleeve	1	(A)	D.218-H33-Z66	●	●		
33		M387 262 0623	Sliding Sleeve	1	(A)	LONG LIFE	●	●		
33		389 262 2923	Sliding Sleeve	1	(BCDEF)	D.218-H31-Z66	●	●		
33		M389 262 2923	Sliding Sleeve	1	(BCDEF)	LONG LIFE	●	●		
34		389 262 0411	Gear 1st Speed 38 T	1	(A)		●	●		
34		389 262 1611	Gear 1st Speed 38 T	1	(BCDEF)		●	●		
35		389 265 2349	Slide Fork	2		BRASS	●	●		
35		M389 265 2349	Slide Fork	2		IRON	●	●		
36		389 262 0135	Synchronizer Hub	1			●	●		
37		389 262 1723	Sliding Sleeve	1	Excl.714.701-704-712-713-792		●	●		
37		389 262 1823	Sliding Sleeve	1	Only 714.701-704-712-713-792		●	●		
38		389 262 0333	Reverse Gear 34 T	1	Excl.714.701-704-712-713-792		●	●		
38		389 262 1033	Reverse Gear 34 T	1	Only 714.701-704-712-713-792		●	●		
39		945 265 0149	Slide Fork	2			●	●		
40		389 262 2550	Bush	1			●	●		
41		009 981 1510	Needle Cage K78x86x35ZW	1			●	●		
42		014 981 6105	Bearing 60x130x30	1			●	●		
43		389 262 0152	Spacer Th.20,3(74x60) mm	1	(G)		●	●		
43		389 262 3754	Spacer Th.18(74x60) mm	1	(H)		●	●		
44		389 262 0409	Sun Gear 25 T	1	(G)		●	●		
44		389 262 0209	Sun Gear 25 T	1	(H)		●	●		
45		014 981 1405	Bearing 50,8x100x35	1			●	●		
46		389 263 0410	Constant Gear 23 T	1	(ABC)		●			
46		389 263 1110	Constant Gear 23 T	1	(DEF)		●			

## Notes

(A) Up to gearbox 058288 (B) From gearbox 058289 (C) Up to gearbox 182425  
 (D) From gearbox 182426 (E) Up to gearbox 297456 (F) From gearbox 297457  
 (G) Up to gearbox 182425 - See GP section (table 0195) for the coupling  
 (H) From gearbox 182426 - See GP section (table 0195) for the coupling  
 (L) Up to 06/96 (M) From 07/96

## Date

04 / 2011

## Table

0190



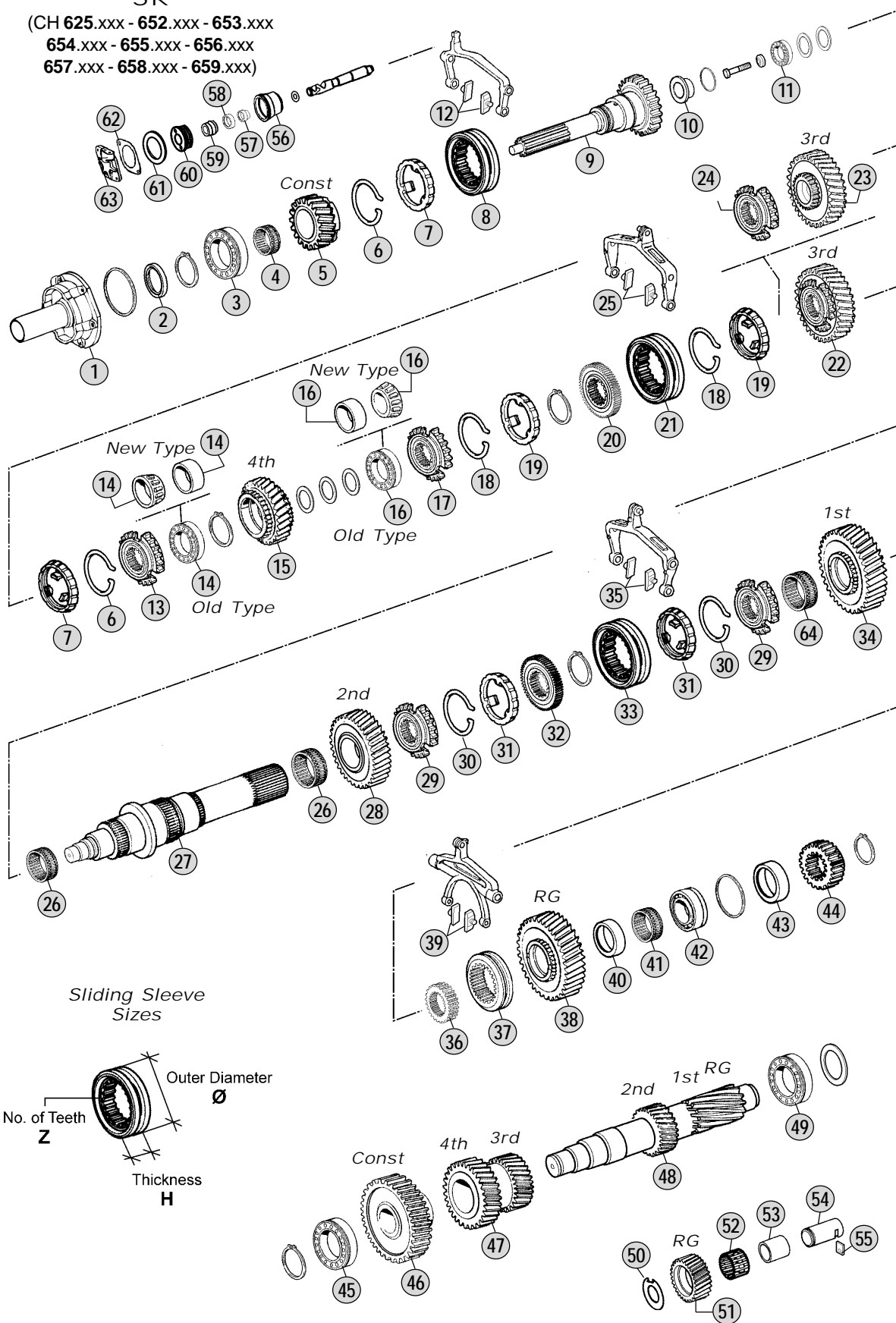
Adattabile a : **MERCEDES**  
 Suitable To :

Modelli Cambio/ Gearbox Models  
**G155 (16 Speeds)**

**Models**

SK

(CH 625.xxx - 652.xxx - 653.xxx  
 654.xxx - 655.xxx - 656.xxx  
 657.xxx - 658.xxx - 659.xxx)



**Models**

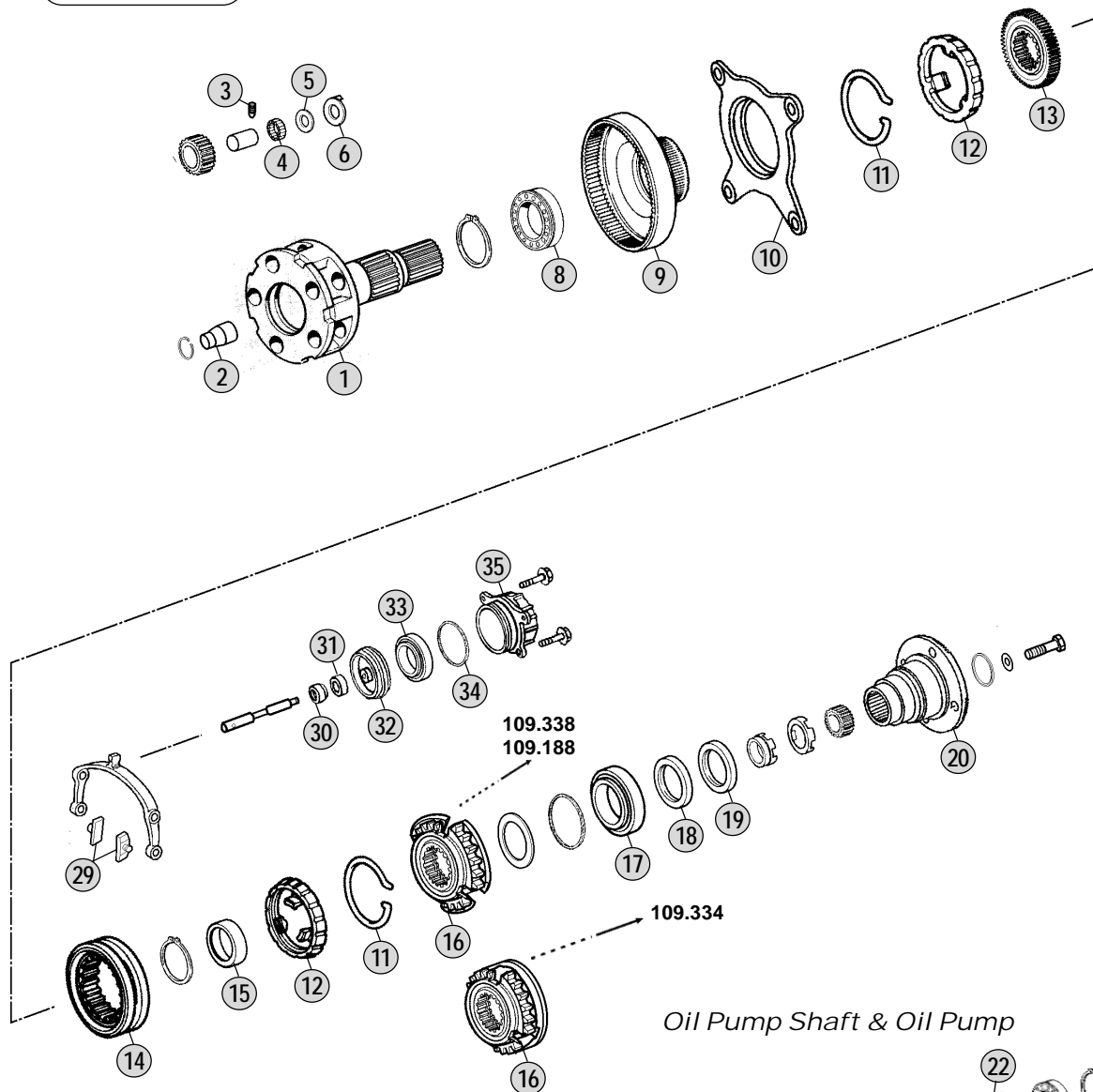
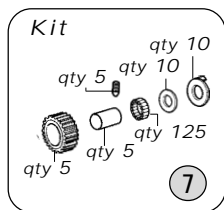
G155 - 16 / 11,9 - 0,88	714.704(EPS)-705-709-715-716-717-782-786-787-792(EPS)
G155 - 16 / 14,0 - 1,00	714.701(EPS)-702-708-710-711-712(EPS)-713(EPS)-714-719-785-790-791





Adattabile a : **MERCEDES**  
 Suitable To :

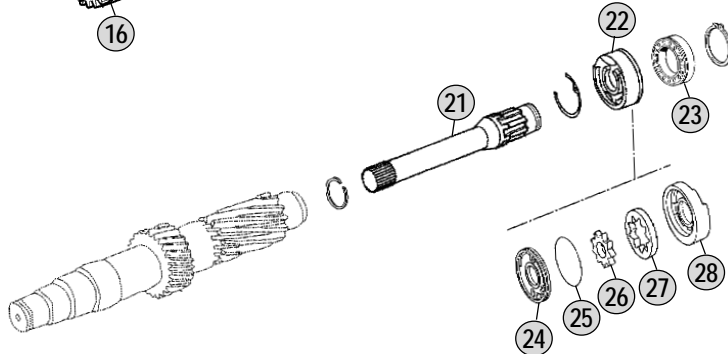
Modelli Cambio/ Gearbox Models  
**G155 (16 Speeds)**



Oil Pump Shaft & Oil Pump

**Models**  
 SK

(CH 625.xxx - 652.xxx - 653.xxx  
 654.xxx - 655.xxx - 656.xxx  
 657.xxx - 658.xxx - 659.xxx)



**Models**

G155 - 16 / 11,9 - 0,88	714.704(EPS)-705-709-715-716-717-782-786-787-792(EPS)
G155 - 16 / 14,0 - 1,00	714.701(EPS)-702-708-710-711-712(EPS)-713(EPS)-714-719-785-790-791



All original equipment manufacturers' numbers, symbols and description used in this catalogue are for reference only, and it is not implied that any part listed is the product of these manufactures. Tutti i nostri particolari non sono originali ma con essi intercambiabili. I riferimenti originali, le figure, i modelli sono esposti a semplice titolo indicativo. La nostra produzione riporta il nostro marchio.

Fig.	no.	Rif. MB	Description	Q.ty	Note	G155-16/17,9-0,88	G155-16/14,0-1,0			
1		389 260 0661	Planetary Carrier	1	(G)	●	●			
1		389 260 8961	Planetary Carrier	1	(H)	●	●			
2		389 269 0134	Oil Tube	1		●	●			
3		000914 006109	Stud 6x14 mm	5		●	●			
4		001 981 2887	Needle 5x36,7	125	(G)	●	●			
4		000 981 4186	Needle 5x39,8	125	(H)	●	●			
5		389 262 0162	Spacer	10		●	●			
6		389 262 0262	Thrust Washer	10		●	●			
7		389 260 0297	Repair Kit	1	(G)	●	●			
7		389 260 0497	Repair Kit	1	(H)	●	●			
8		008 981 1325	Bearing 90x130x14	1		●	●			
9		389 262 0208	Crown Gear 80 T	1		●	●			
10		389 260 0936	Synchronizer Flange	1	(P)	●	●			
10		389 260 2036	Synchronizer Flange	1	(Q)	●	●			
11		389 262 0293	Elastic Ring	2		●	●			
12		389 262 0537	Synchronizer Ring	2		●	●			
12		389 262 3337	Synchronizer Ring	2	LONG LIFE	●	●			
13		389 262 0535	Synchronizer Hub	1	(P) Outer Teeth Z 72	●	●			
13		389 262 2035	Synchronizer Hub	1	(Q) Outer Teeth Z 73	●	●			
14		389 262 1523	Sliding Sleeve	1	(P) Inner Teeth Z 72	●	●			
14		M389 262 1523	Sliding Sleeve	1	(P) LONG LIFE Z 72	●	●			
14		945 262 6623	Sliding Sleeve	1	(Q) Inner Teeth Z 73	●	●			
14		M945 262 6623	Sliding Sleeve	2	(Q) LONG LIFE Z 73	●	●			
15		389 262 0251	Bush	1		●	●			
16		389 262 2334	Synchronizer Cone	1	(P)	●	●			
16		389 262 4034	Synchronizer Cone	1	(Q)	●	●			
16		389 262 9134	Synchronizer Cone	1	(Q)	●	●			
17		004 981 9325	Bearing 85x150x28	1		●	●			
18		013 997 7247	Oil Seal 95x115x13	1		●	●			
19		013 997 7347	Oil Seal 95x115x13	1		●	●			
20		389 262 0445	Output Flange D.180 mm	1		●	●			
21		389 269 1210	Oil Pump Shaft	1		●	●			
22		389 260 0690	Oil Pump	1	Old Type-Assembly	●	●			
23		004 981 9225	Bearing 45x75x16	1		●	●			
24		389 269 2601	Oil Pump Cover	1	New Type-Disassembled	●	●			
25		029 997 5748	O Ring	1	New Type-Disassembled	●	●			
26		389 269 1406	Oil Pump Gear	1	New Type-Disassembled	●	●			
27		389 269 0706	Oil Pump Hub	1	New Type-Disassembled	●	●			
28		947 269 1001	Oil Pump Housing	1	New Type-Disassembled	●	●			
29		389 265 2449	Slide Fork	2	BRASS	●	●			
29		M389 265 2449	Slide Fork	1	IRON	●	●			
30		000 267 0197	Oil Seal 22x32x8	1		●	●			
31		387 267 0650	Bush Th.8(34x22) mm	1		●	●			
32		389 267 1018	Cylinder	1		●	●			
33		024 997 8347	Oil Seal 77x90x17	1		●	●			

## Notes

(G) Up to gearbox 182425 - See Sun gear (table 0190) for the coupling  
(H) From gearbox 182426 - See Sun gear (table 0190) for the coupling  
(P) Up to gearbox 201817  
(Q) From gearbox 201818

## Date

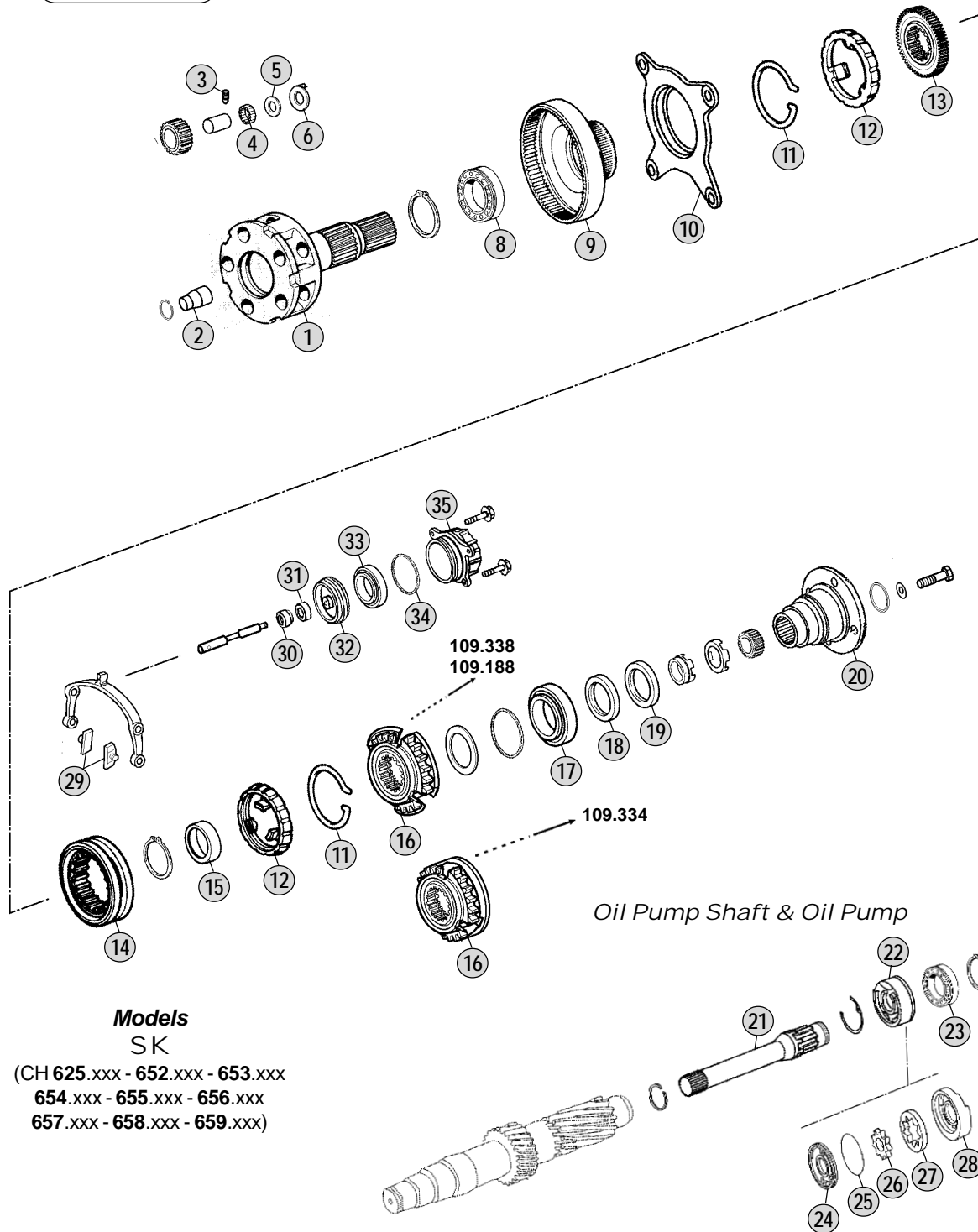
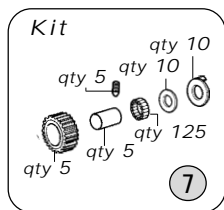
04 / 2011

## Table

0195

Adattabile a : **MERCEDES**  
 Suitable To :

Modelli Cambio/ Gearbox Models  
**G155 (16 Speeds)**



**Models**  
 SK

(CH 625.xxx - 652.xxx - 653.xxx  
 654.xxx - 655.xxx - 656.xxx  
 657.xxx - 658.xxx - 659.xxx)

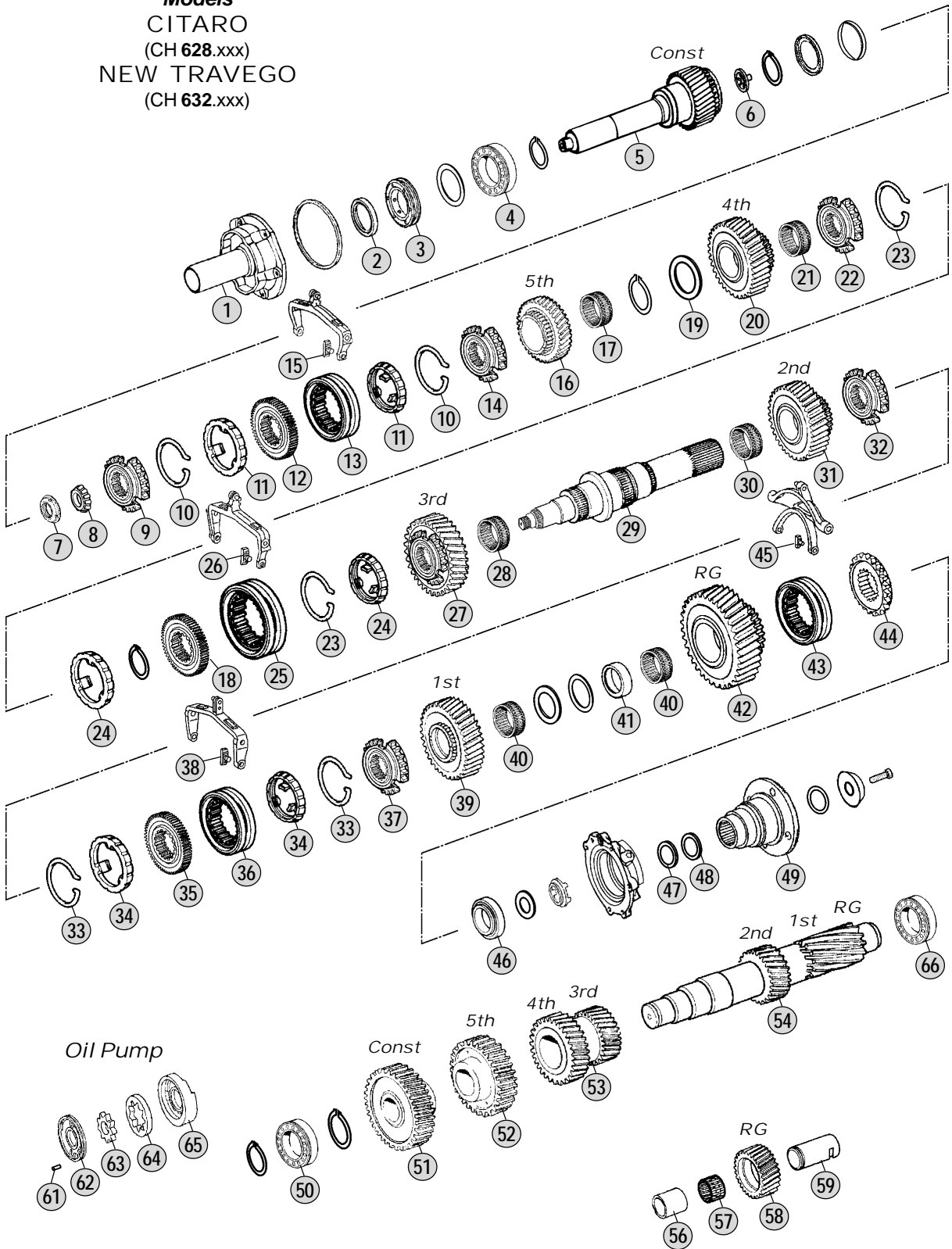
**Models**

G155 - 16 / 11,9 - 0,88	714.704(EPS)-705-709-715-716-717-782-786-787-792(EPS)
G155 - 16 / 14,0 - 1,00	714.701(EPS)-702-708-710-711-712(EPS)-713(EPS)-714-719-785-790-791



Adattabile a : **MERCEDES**  
Suitable To :

**Models**  
CITARO  
(CH 628.xxx)  
NEW TRAVEGO  
(CH 632.xxx)



**Models**

GO170 - 6 / 8,2 - 1,00      714.100-101-102

Fig.	no.	Rif. MB	Description	Q.ty	Note	GO170-6/8-2-1,0				
1		389 261 3718	Front Cover	1		●				
1		389 261 6218	Front Cover	1		●				
1		389 261 6618	Front Cover	1		●				
1		656 261 0018	Front Cover	1		●				
2		019 997 0547	Oil Seal 56x72x8	1		●				
3		389 261 0865	Diaphragm	1		●				
4		011 981 1305	Bearing 75x140x34,3	1		●				
5		656 262 8102	Input Shaft 26 T	1		●				
5		656 262 8202	Input Shaft 26 T	1		●				
5		389 262 8902	Input Shaft 26 T	1		●				
5		389 262 8302	Input Shaft 26 T	1		●				
5		389 262 8502	Input Shaft 26 T	1		●				
5		656 262 9802	Input Shaft 26 T	1		●				
5		656 262 9902	Input Shaft 26 T	1		●				
5		655 262 0602	Input Shaft 26 T	1		●				
5		655 262 0002	Input Shaft 26 T	1		●				
5		655 262 0202	Input Shaft 26 T	1		●				
5		656 262 9202	Input Shaft 26 T	1		●				
6		976 269 0034	Oil Collector	1		●				
7		945 990 0250	Nut M30x1,5	1		●				
8		015 981 1605	Bearing 39,65x82,3x41	1		●				
9		389 262 9734	Synchronizer Cone	1	(A)	●				
9		945 262 7234	Synchronizer Cone	1	(B)	●				
10		387 262 1093	Elastic Ring	2		●				
11		389 262 0637	Synchronizer Ring	2	(A)	●				
11		389 262 3137	Synchronizer Ring	2	(A) LONG LIFE	●				
11		947 260 0545	Synchronizer Ring	2	(B)	●				
11		CEI 119300	Synchronizer Ring	2	(B) LONG LIFE	●				
12		389 262 5335	Synchronizer Hub	1		●				
13		945 262 0323	Sliding Sleeve	1	(A)	●				
13		M945 262 0323	Sliding Sleeve	1	(A) LONG LIFE	●				
13		945 262 6823	Sliding Sleeve	1	(B)	●				
13		M945 262 6823	Sliding Sleeve	1	(B) LONG LIFE	●				
14		389 262 9834	Synchronizer Cone	1	(A)	●				
14		945 262 7134	Synchronizer Cone	1	(B)	●				
15		947 265 0349	Slide Fork	2	BRASS	●				
15		M947 265 0349	Slide Fork	2	IRON	●				
16		389 262 1615	Gear 5th Speed 30 T	1		●				
17		019 981 6010	Needle Cage 60x68x54	1		●				
18		389 262 4435	Synchronizer Hub	1		●				
19		389 262 1862	Washer	1		●				
20		389 262 0914	Gear 4th Speed 35 T	1		●				
21		009 981 1510	Needle Cage K78x86x35ZW	1		●				
22		945 262 5034	Synchronizer Cone	1	(A)	●				
22		945 262 6134	Synchronizer Cone	1	(B)	●				

Notes

(A) Up to gearbox 018182  
(B) From gearbox 018183

Date

04 / 2011

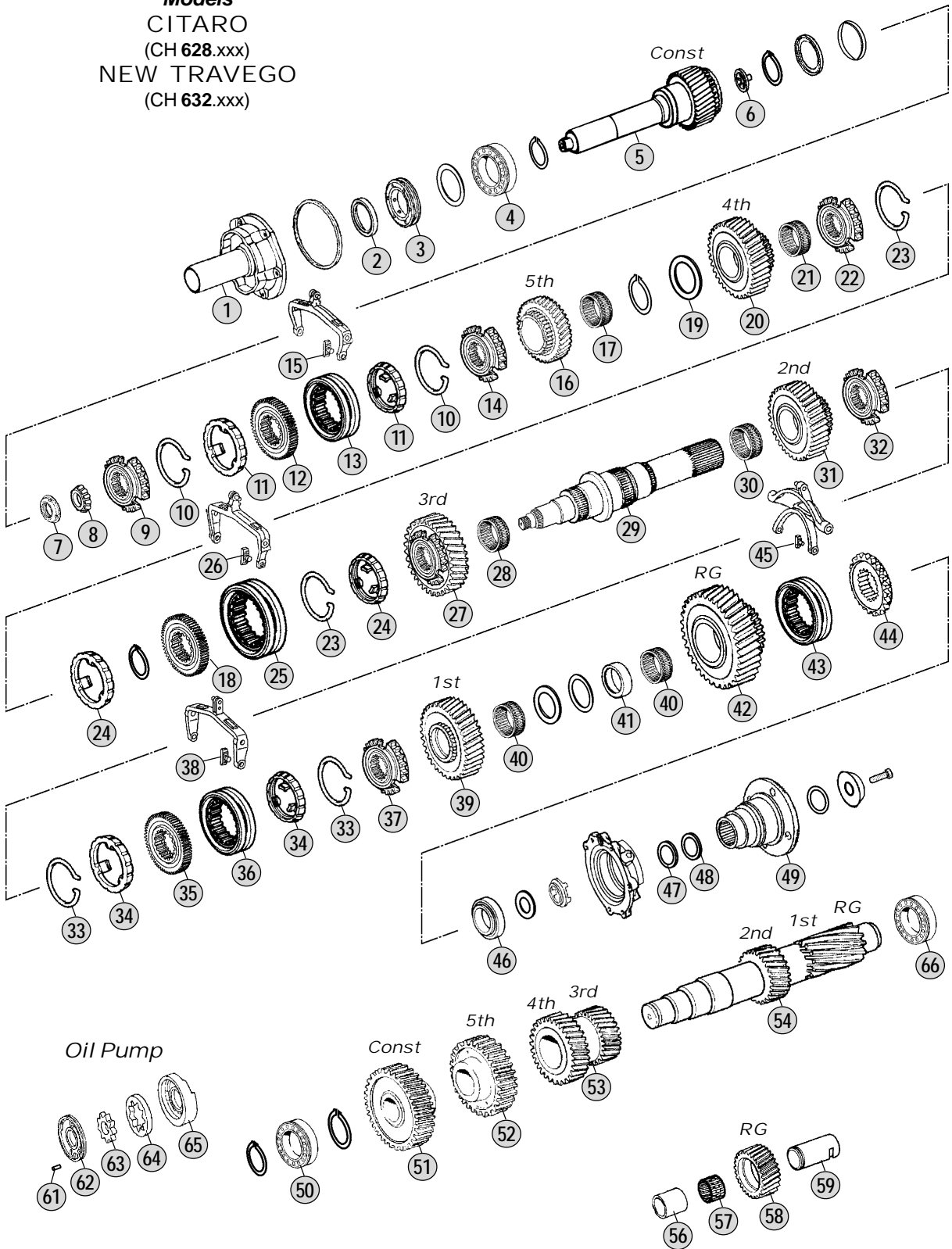
Table**0200**



Adattabile a : **MERCEDES**  
Suitable To :

**GO170 (6 Speeds)**

**Models**  
CITARO  
(CH 628.xxx)  
NEW TRAVEGO  
(CH 632.xxx)



**Models**

GO170 - 6 / 8,2 - 1,00      714.100-101-102

Fig.	no.	Rif. MB	Description	Q.ty	Note	GO170-6/8-2-1,0				
23		387 262 1093	Elastic Ring	2		●				
24		389 262 0637	Synchronizer Ring	2	(A)	●				
24		389 262 3137	Synchronizer Ring	2	(A)	●				
24		947 260 0545	Synchronizer Ring	2	(B)	●				
24		CEI 119300	Synchronizer Ring	2	(B)	●				
25		389 262 2023	Sliding Sleeve	1	(A)	●				
25		M389 262 2023	Sliding Sleeve	1	(A)	●				
25		945 262 5723	Sliding Sleeve	1	(B)	●				
25		M945 262 5723	Sliding Sleeve	1	(B)	●				
26		947 265 0349	Slide Fork	2		●				
26		M947 265 0349	Slide Fork	2		●				
27		389 262 4313	Gear 3rd Speed 40 T	1	(A)	●				
27		945 262 6417	Gear 3rd Speed 40 T	1	(B)	●				
28		007 981 5510	Needle Cage 92x100x49,5	1		●				
29		389 262 4605	Main Shaft	1		●				
30		007 981 5510	Needle Cage 92x100x49,5	1		●				
31		976 262 1612	Gear 2nd Speed 45 T	1		●				
32		945 262 4934	Synchronizer Cone	1	(A)	●				
32		945 262 6034	Synchronizer Cone	1	(B)	●				
33		387 262 0893	Elastic Ring	2		●				
34		389 262 0737	Synchronizer Ring	2	(A)	●				
34		389 262 3237	Synchronizer Ring	2	(A)	●				
34		946 262 6137	Synchronizer Ring	2	(B)	●				
34		CEI 119299	Synchronizer Ring	2	(B)	●				
35		389 262 5635	Synchronizer Hub	1		●				
36		389 262 2123	Sliding Sleeve	1	(A)	●				
36		M389 262 2123	Sliding Sleeve	1	(A)	●				
36		945 262 5623	Sliding Sleeve	1	(B)	●				
36		M945 262 5623	Sliding Sleeve	1	(B)	●				
37		945 262 4834	Synchronizer Cone	1	(A)	●				
37		945 262 5934	Synchronizer Cone	1	(B)	●				
38		947 265 0349	Slide Fork	2		●				
38		M947 265 0349	Slide Fork	2		●				
39		389 262 3311	Gear 1st Speed 50 T	1		●				
40		021 981 9410	Needle Cage 85x93x45W	2		●				
41		389 262 2250	Bush	1		●				
42		389 262 2233	Reverse Gear 47 T	1		●				
43		389 262 1723	Sliding Sleeve	1		●				
43		389 262 1823	Sliding Sleeve	1		●				
44		389 262 4135	Synchronizer Hub	1		●				
44		389 262 4235	Synchronizer Hub	1		●				
45		945 265 0149	Slide Fork	2		●				
46		012 981 3705	Bearing 65x140x13,5	1		●				
47		020 997 9947	Oil Seal 80x110x10	1		●				
48		023 997 8547	Oil Seal 80x100x12	1		●				

**Notes**

(A) Up to gearbox 018182  
(B) From gearbox 018183

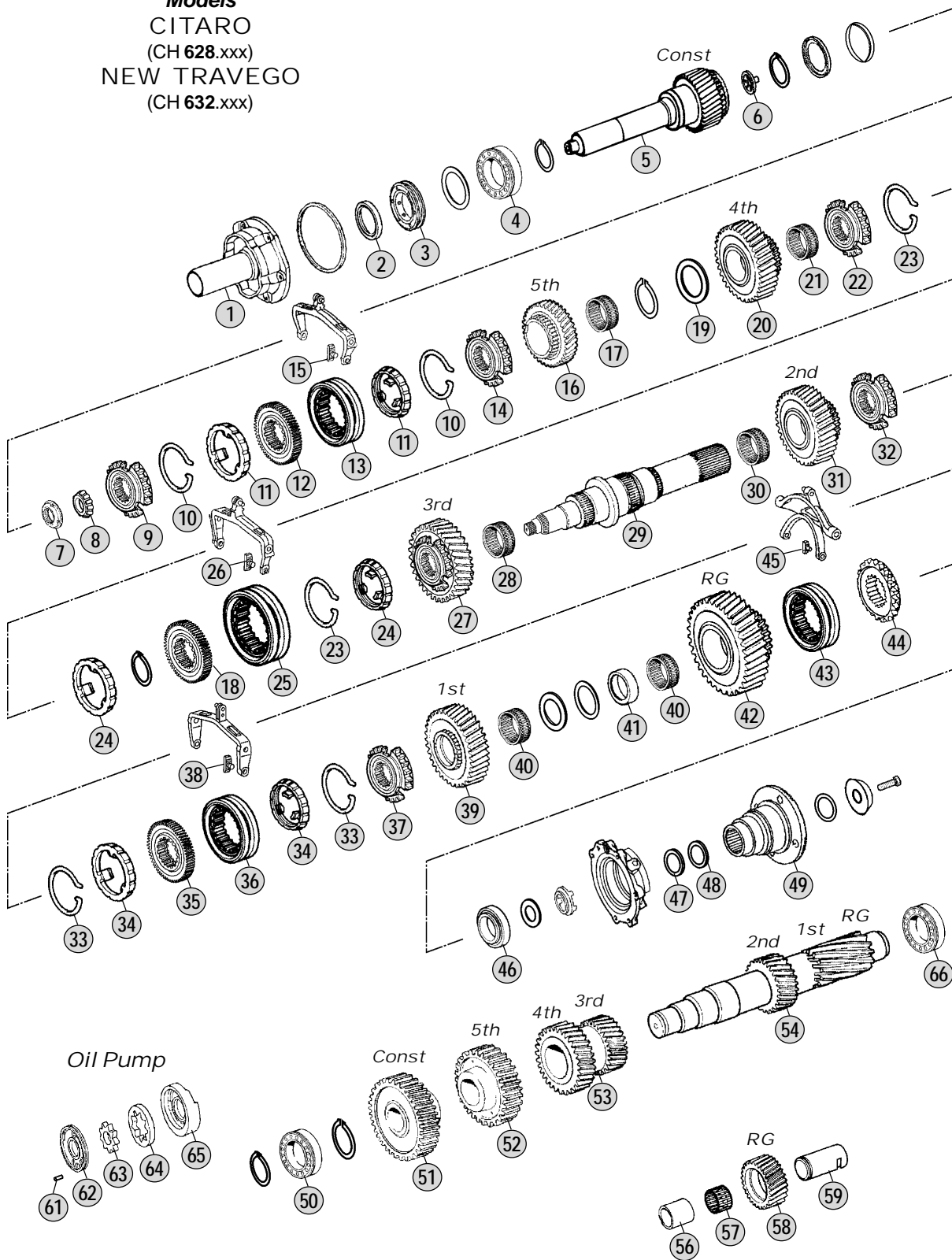
**Date**

04 / 2011

**Table****0200**

Adattabile a : **MERCEDES**  
 Suitable To :

**Models**  
 CITARO  
 (CH 628.xxx)  
 NEW TRAVEGO  
 (CH 632.xxx)



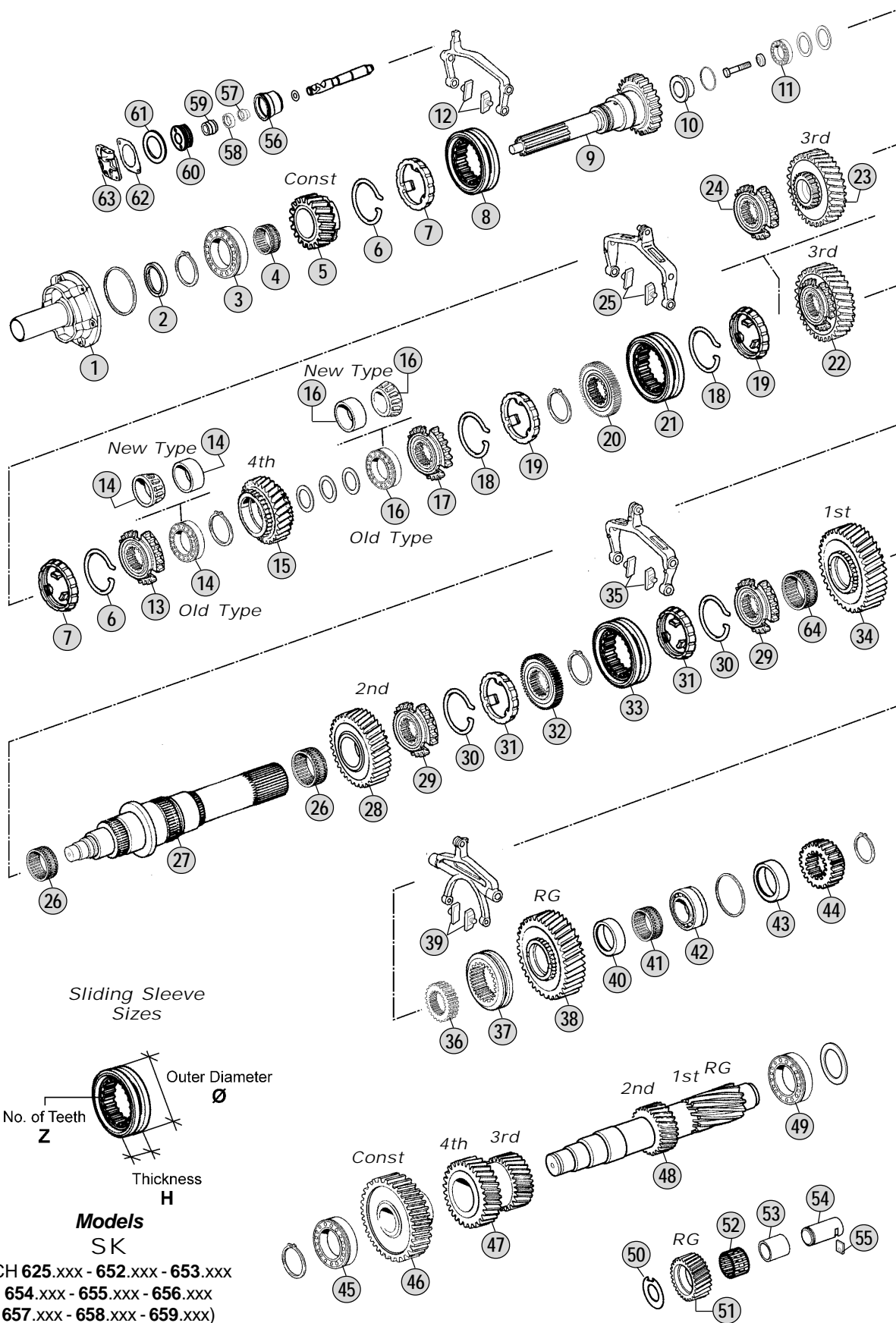
**Models**

GO170 - 6 / 8,2 - 1,00      714.100-101-102



Adattabile a : **MERCEDES**  
 Suitable To :

Modelli Cambio/ Gearbox Models  
**G180 (16 Speeds)**



**Models**

G180 - 16 / 11,9 - 0,88	714.700(EPS)-703-780-781-789-794-795(EPS)-796-797-798-799
G180 - 16 / 14,0 - 1,00	714.706(EPS)-707



Fig.	no.	Rif. MB	Description	Q.ty	Note				
						G180-16/17,9-0,88	G180-16/14,0-1,0		
1		389 261 3318	Front Cover	1		●	●		
2		024 997 3047	Seal Ring 52x68x8 mm	1		●	●		
3		011 981 1305	Bearing 75x140x34,3	1		●	●		
4		009 981 1610	Needle Cage K85x93x37ZW	1		●	●		
5		389 262 2910	Constant Gear 26 T	1	(ABC)	●			
5		389 262 7710	Constant Gear 26 T	1	(DEF)	●			
5		389 262 2810	Constant Gear 22 T	1	(ABC)		●		
5		389 262 2210	Constant Gear 22 T	1	(DEF)		●		
6		387 262 1093	Elastic Ring	2		●	●		
7		389 262 0637	Synchronizer Ring	2		●	●		
7		389 262 3137	Synchronizer Ring	2	LONG LIFE	●	●		
8		387 262 1523	Sliding Sleeve	1	(A) D.198-H33-Z60	●	●		
8		M387 262 1523	Sliding Sleeve	1	(A) LONG LIFE	●	●		
8		389 262 3023	Sliding Sleeve	1	(BCDEF) D.198-H31-Z60	●	●		
8		M389 262 3023	Sliding Sleeve	1	(BCDEF) LONG LIFE	●	●		
9		389 262 1201	Input Shaft	1	(ABC) Repl.by 389 262 3701	●	●		
9		389 262 3701	Input Shaft 60 T	1	(ABC)	●	●		
9		389 262 2901	Input Shaft 60 T	1	(DEF)	●	●		
10		018 997 7147	Oil Deflector	1		●	●		
11		008 981 2805	Bearing 40x90,9x32	1	Oem	●	●		
11		008 981 2805	Bearing 40x90,9x32	1	A.Market	●	●		
12		389 265 2449	Slide Fork	2	BRASS	●	●		
12		M389 265 2449	Slide Fork	2	IRON	●	●		
13		389 262 5634	Synchronizer Cone	1		●	●		
14		011 981 7605	Bearing 50x90x32	1	Oem Old Type	●	●		
14		011 981 7605	Bearing 50x90x32	1	A.Market Old Type	●	●		
14		015 981 7605	Bearing 50x85x41	1	New Type	●	●		
14		002 981 1680	Ring D.90	1	New Type	●	●		
15		389 262 1110	Gear 4th Speed 24 T	1	(A)	●	●		
15		389 262 3710	Gear 4th Speed 24 T	1	(BC)	●	●		
15		389 262 5510	Gear 4th Speed 24 T	1	(DE)	●	●		
15		389 262 5610	Gear 4th Speed 24 T	1	(F)	●	●		
16		011 981 7705	Bearing 55x90x24	1	Old Type	●	●		
16		002 981 1580	Ring D.90	1	New Type	●	●		
16		CEI 130547	Bearing 55x24	1	New Type	●	●		
17		389 262 5634	Synchronizer Cone	1	(ABCDE)	●	●		
17		945 262 0534	Synchronizer Cone	2	(F)	●	●		
18		387 262 1093	Elastic Ring	2	(ABCDE)	●	●		
18		387 262 0893	Elastic Ring	2	(F)	●	●		
19		389 262 0637	Synchronizer Ring	2	(ABCDE)	●	●		
19		389 262 3137	Synchronizer Ring	2	(ABCDE) LONG LIFE	●	●		
19		389 262 0737	Synchronizer Ring	2	(F)	●	●		
19		389 262 3237	Synchronizer Ring	2	(F) LONG LIFE	●	●		
20		389 262 0635	Synchronizer Hub	2	(ABCDE)	●	●		
20		389 262 1535	Synchronizer Hub	2	(F)	●	●		

## Notes

(A) Up to gearbox 058288 (B) From gearbox 058289 (C) Up to gearbox 182425  
 (D) From gearbox 182426 (E) Up to gearbox 297456 (F) From gearbox 297457  
 (G) Up to gearbox 182425 - See GP section (table 0215) for the coupling  
 (H) From gearbox 182426 - See GP section (table 0215) for the coupling  
 (L) Up to 06/96 (M) From 07/96

## Date

04/ 2011

## Table

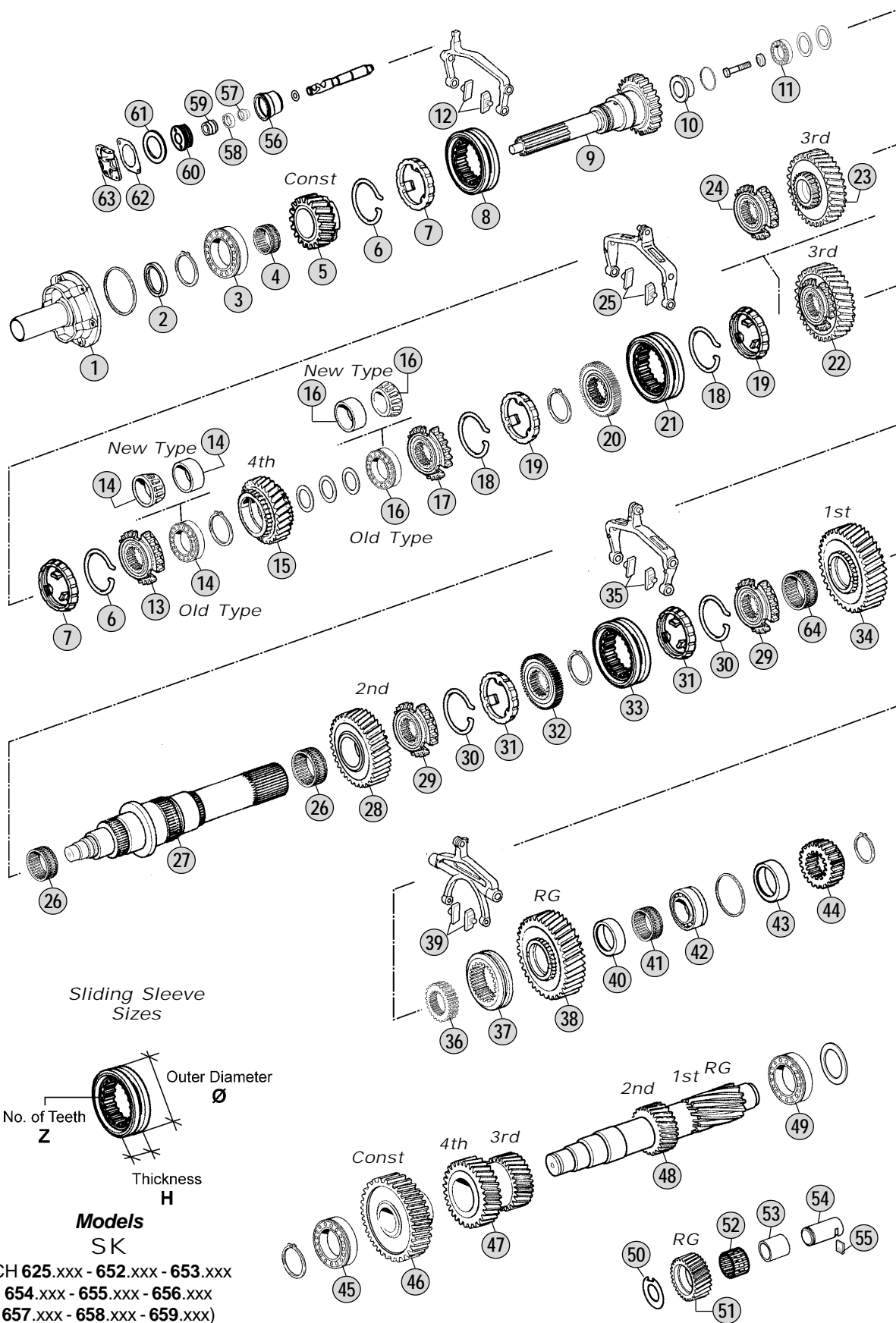
0210

16 Speeds  
G180



Adattabile a : **MERCEDES**  
 Suitable To :

Modelli Cambio/ Gearbox Models  
**G180 (16 Speeds)**



**Models**

G180 - 16 / 11,9 - 0,88	714.700(EPS)-703-780-781-789-794-795(EPS)-796-797-798-799
G180 - 16 / 14,0 - 1,00	714.706(EPS)-707

Fig.	no.	Rif. MB	Description	Q.ty	Note				
						G180-16/17, 9-0,88	G180-16/14, 0-1,0		
21		387 262 1523	Sliding Sleeve	1	(A) D.198-H33-Z60	●	●		
21		M387 262 1523	Sliding Sleeve	2	(A) LONG LIFE	●	●		
21		389 262 3023	Sliding Sleeve	1	(BCDE) D.198-H31-Z60	●	●		
21		M389 262 3023	Sliding Sleeve	1	(BCDE) LONG LIFE	●	●		
21		389 262 2923	Sliding Sleeve	1	(F) D.218-H31-Z66	●	●		
21		M389 262 2923	Sliding Sleeve	2	(F) LONG LIFE	●	●		
22		389 262 0313	Gear 3rd Speed 28 T	1	(A)	●	●		
22		389 262 1413	Gear 3rd Speed 28 T	1	(BCDE)	●	●		
23		389 262 2113	Gear 3rd Speed 28 T	1	(F)	●	●		
24		945 262 0534	Synchronizer Cone	1	(F)	●	●		
25		389 265 2349	Slide Fork	2	BRASS	●	●		
25		M389 265 2349	Slide Fork	2	IRON	●	●		
26		018 981 6610	Needle Cage K85x93x53ZWD	2		●	●		
27		389 262 1505	Main Shaft	1		●	●		
28		389 262 0312	Gear 2nd Speed 32 T	1	(A)	●	●		
28		389 262 1312	Gear 2nd Speed 32 T	1	(BCDEF)	●	●		
29		945 262 0434	Synchronizer Cone	2		●	●		
30		387 262 0893	Elastic Ring	2		●	●		
31		389 262 0737	Synchronizer Ring	2		●	●		
31		389 262 3237	Synchronizer Ring	2	LONG LIFE	●	●		
32		389 262 0035	Synchronizer Hub	1		●	●		
33		387 262 0623	Sliding Sleeve	1	(A) D.218-H33-Z66	●	●		
33		M387 262 0623	Sliding Sleeve	1	(A) LONG LIFE	●	●		
33		389 262 2923	Sliding Sleeve	1	(BCDEF) D.218-H31-Z66	●	●		
33		M389 262 2923	Sliding Sleeve	2	(BCDEF) LONG LIFE	●	●		
34		389 262 0411	Gear 1st Speed 38 T	1	(A)	●	●		
34		389 262 1611	Gear 1st Speed 38 T	1	(BCDEF)	●	●		
35		389 265 2349	Slide Fork	2	BRASS	●	●		
35		M389 265 2349	Slide Fork	2	IRON	●	●		
36		389 262 0135	Synchronizer Hub	1		●	●		
37		389 262 1723	Sliding Sleeve	1	Excl.714.700-706-795	●			
37		389 262 1823	Sliding Sleeve	1	Only 714.700-706-795	●			
38		389 262 0333	Reverse Gear 34 T	1	Excl.714.700-706-795	●	●		
38		389 262 1033	Reverse Gear 34 T	1	Only 714.700-706-795	●	●		
39		945 265 0149	Slide Fork	2		●	●		
40		389 262 2550	Bush	1		●	●		
41		009 981 1510	Needle Cage K78x86x35ZW	1		●	●		
42		014 981 6105	Bearing 60x130x30	1		●	●		
43		389 262 0152	Spacer Th.20,3(74x60) mm	1	(G)	●	●		
43		389 262 3754	Spacer Th.18(74x60) mm	1	(H)	●	●		
44		389 262 0409	Sun Gear 25 T	1	(G)	●	●		
44		389 262 0209	Sun Gear 25 T	1	(H)	●	●		
45		014 981 1405	Bearing 50,8x100x35	1		●	●		
46		389 263 0410	Constant Gear 23 T	1	(ABC)	●			
46		389 263 1110	Constant Gear 23 T	1	(DEF)	●			

## Notes

(A) Up to gearbox 058288 (B) From gearbox 058289 (C) Up to gearbox 182425  
 (D) From gearbox 182426 (E) Up to gearbox 297456 (F) From gearbox 297457  
 (G) Up to gearbox 182425 - See GP section (table 0215) for the coupling  
 (H) From gearbox 182426 - See GP section (table 0215) for the coupling  
 (L) Up to 06/96 (M) From 07/96

## Date

04/ 2011

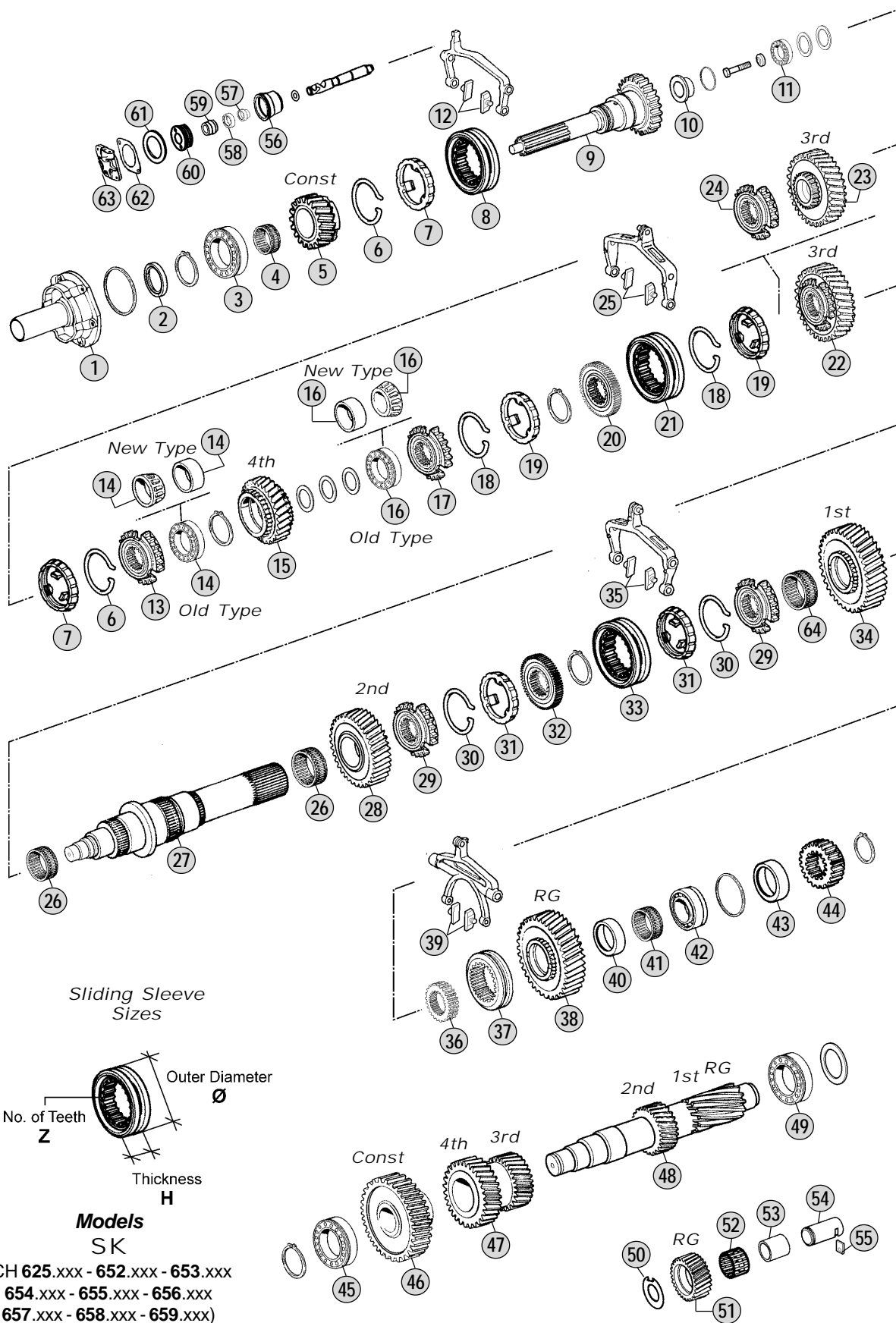
## Table

0210

16 Speeds  
G180

Adattabile a : **MERCEDES**  
 Suitable To :

Modelli Cambio/ Gearbox Models  
**G180 (16 Speeds)**



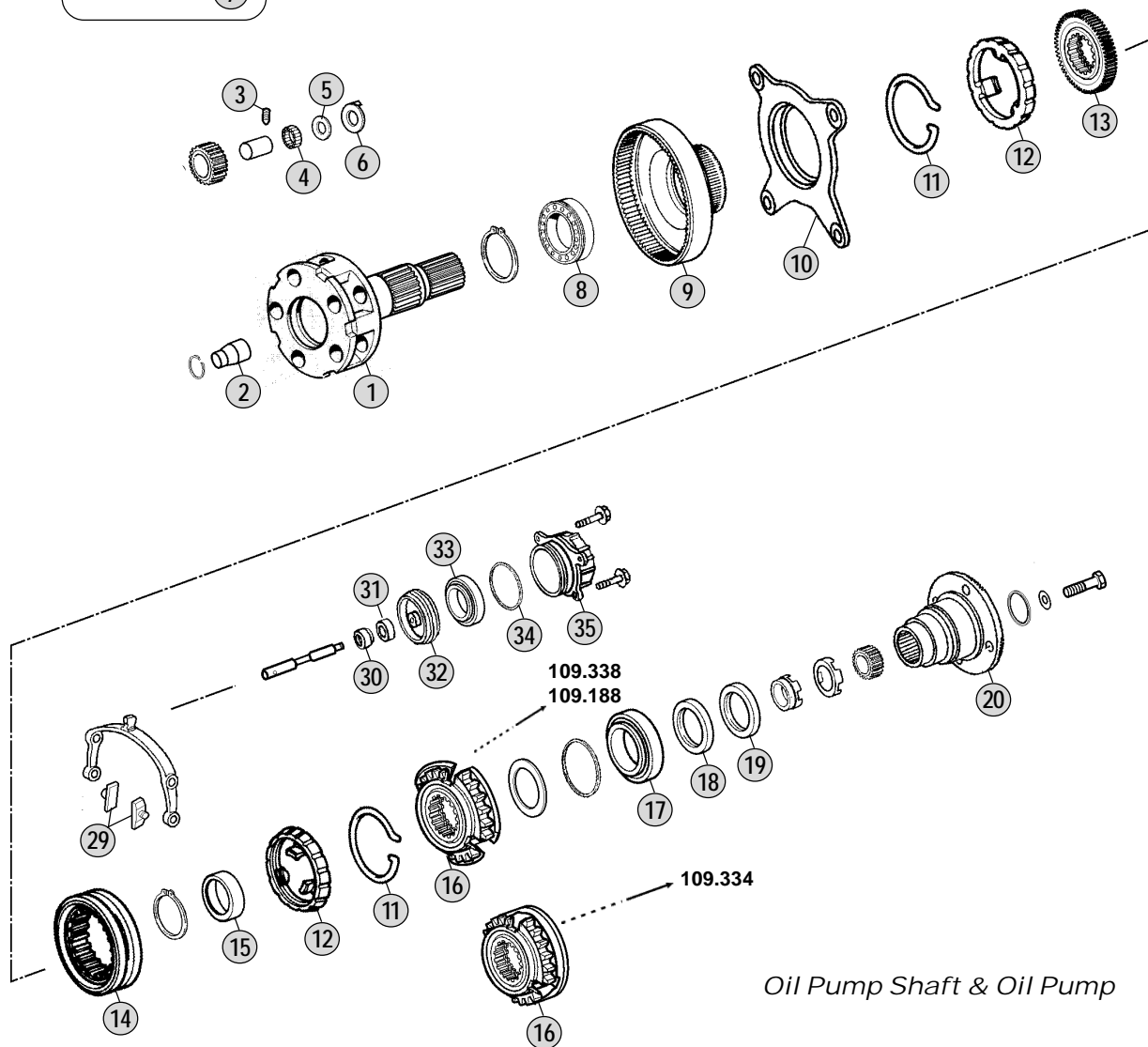
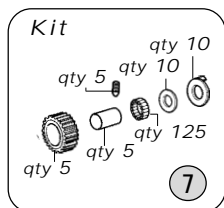
**Models**

G180 - 16 / 11,9 - 0,88	714.700(EPS)-703-780-781-789-794-795(EPS)-796-797-798-799
G180 - 16 / 14,0 - 1,00	714.706(EPS)-707



Adattabile a : **MERCEDES**  
 Suitable To : **MERCEDES**

Modelli Cambio/ Gearbox Models  
**G180 (16 Speeds)**



**Models**  
**SK**

(CH 625.xxx - 652.xxx - 653.xxx  
 654.xxx - 655.xxx - 656.xxx  
 657.xxx - 658.xxx - 659.xxx)

**Models**

G180 - 16 / 11,9 - 0,88    **714.700**(EPS)-703-780-781-789-794-795(EPS)-796-797-798-799  
 G180 - 16 / 14,0 - 1,00    **714.706**(EPS)-707



Fig.	no.	Rif. MB	Description	Q.ty	Note	G180-16/17,9-0,88	G180-16/14,0-1,0			
1		389 260 0661	Planetary Carrier	1	(G)	●	●			
1		389 260 8961	Planetary Carrier	1	(H)	●	●			
2		389 269 0134	Oil Tube	1		●	●			
3		000914 006109	Stud 6x14 mm	5		●	●			
4		001 981 2887	Needle 5x36,7	125	(G)	●	●			
4		000 981 4186	Needle 5x39,8	125	(H)	●	●			
5		389 262 0162	Spacer	10		●	●			
6		389 262 0262	Thrust Washer	10		●	●			
7		389 260 0297	Repair Kit	1	(G)	●	●			
7		389 260 0497	Repair Kit	1	(H)	●	●			
8		008 981 1325	Bearing 90x130x14	1		●	●			
9		389 262 0208	Crown Gear 80 T	1		●	●			
10		389 260 0936	Synchronizer Flange	1	(P)	●	●			
10		389 260 2036	Synchronizer Flange	1	(Q)	●	●			
11		389 262 0293	Elastic Ring	2		●	●			
12		389 262 0537	Synchronizer Ring	2		●	●			
12		389 262 3337	Synchronizer Ring	2	LONG LIFE	●				
13		389 262 0535	Synchronizer Hub	1	(P) Outer Teeth Z 72	●	●			
13		389 262 2035	Synchronizer Hub	1	(Q) Outer Teeth Z 73	●	●			
14		389 262 1523	Sliding Sleeve	1	(P) Inner Teeth Z 72	●	●			
14		M389 262 1523	Sliding Sleeve	1	(P) LONG LIFE Z 72	●	●			
14		945 262 6623	Sliding Sleeve	1	(Q) Inner Teeth Z 73	●	●			
14		M945 262 6623	Sliding Sleeve	1	(Q) LONG LIFE Z 73	●	●			
15		389 262 0251	Bush	1		●	●			
16		389 262 2334	Synchronizer Cone	1	(P)	●	●			
16		389 262 4034	Synchronizer Cone	1	(Q)	●	●			
16		389 262 9134	Synchronizer Cone	1	(Q)	●	●			
17		004 981 9325	Bearing 85x150x28	1		●	●			
18		013 997 7247	Oil Seal 95x115x13	1		●	●			
19		013 997 7347	Oil Seal 95x115x13	1		●	●			
20		389 262 0445	Output Flange D.180 mm	1		●	●			
21		389 269 1210	Oil Pump Shaft	1		●	●			
22		389 260 0690	Oil Pump	1	Old Type-Assembly	●	●			
23		004 981 9225	Bearing 45x75x16	1		●	●			
24		389 269 2601	Oil Pump Cover	1	New Type-Disassembled	●	●			
25		029 997 5748	O Ring	1	New Type-Disassembled	●	●			
26		389 269 1406	Oil Pump Gear	1	New Type-Disassembled	●	●			
27		389 269 0706	Oil Pump Hub	1	New Type-Disassembled	●	●			
28		947 269 1001	Oil Pump Housing	1	New Type-Disassembled	●	●			
29		389 265 2449	Slide Fork	2	BRASS	●	●			
29		M389 265 2449	Slide Fork	1	IRON	●				
30		000 267 0197	Oil Seal 22x32x8	1		●	●			
31		387 267 0650	Bush Th.8(34x22) mm	1		●	●			
32		389 267 1018	Cylinder	1		●	●			
33		024 997 8347	Oil Seal 77x90x17	1		●	●			

## Notes

(G) Up to gearbox 182425 - See Sun gear (table 0210) for the coupling  
(H) From gearbox 182426 - See Sun gear (table 0210) for the coupling  
(P) Up to gearbox 201817  
(Q) From gearbox 201818

## Date

04 / 2011

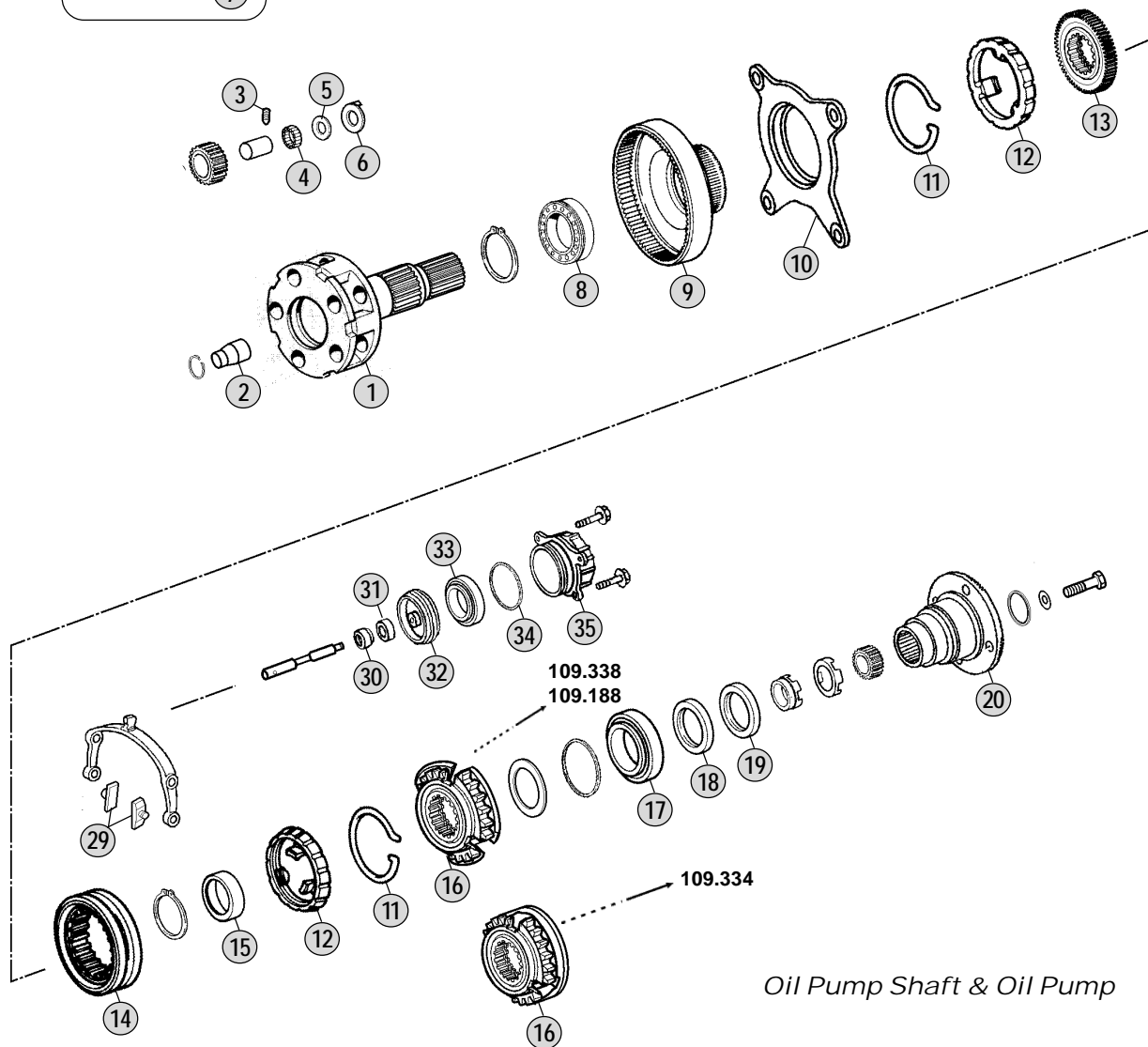
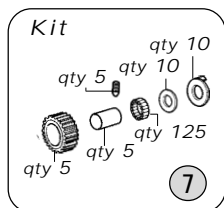
## Table

0215



Adattabile a : **MERCEDES**  
 Suitable To :

Modelli Cambio/ Gearbox Models  
**G180 (16 Speeds)**



**Models**  
**SK**

(CH 625.xxx - 652.xxx - 653.xxx  
 654.xxx - 655.xxx - 656.xxx  
 657.xxx - 658.xxx - 659.xxx)

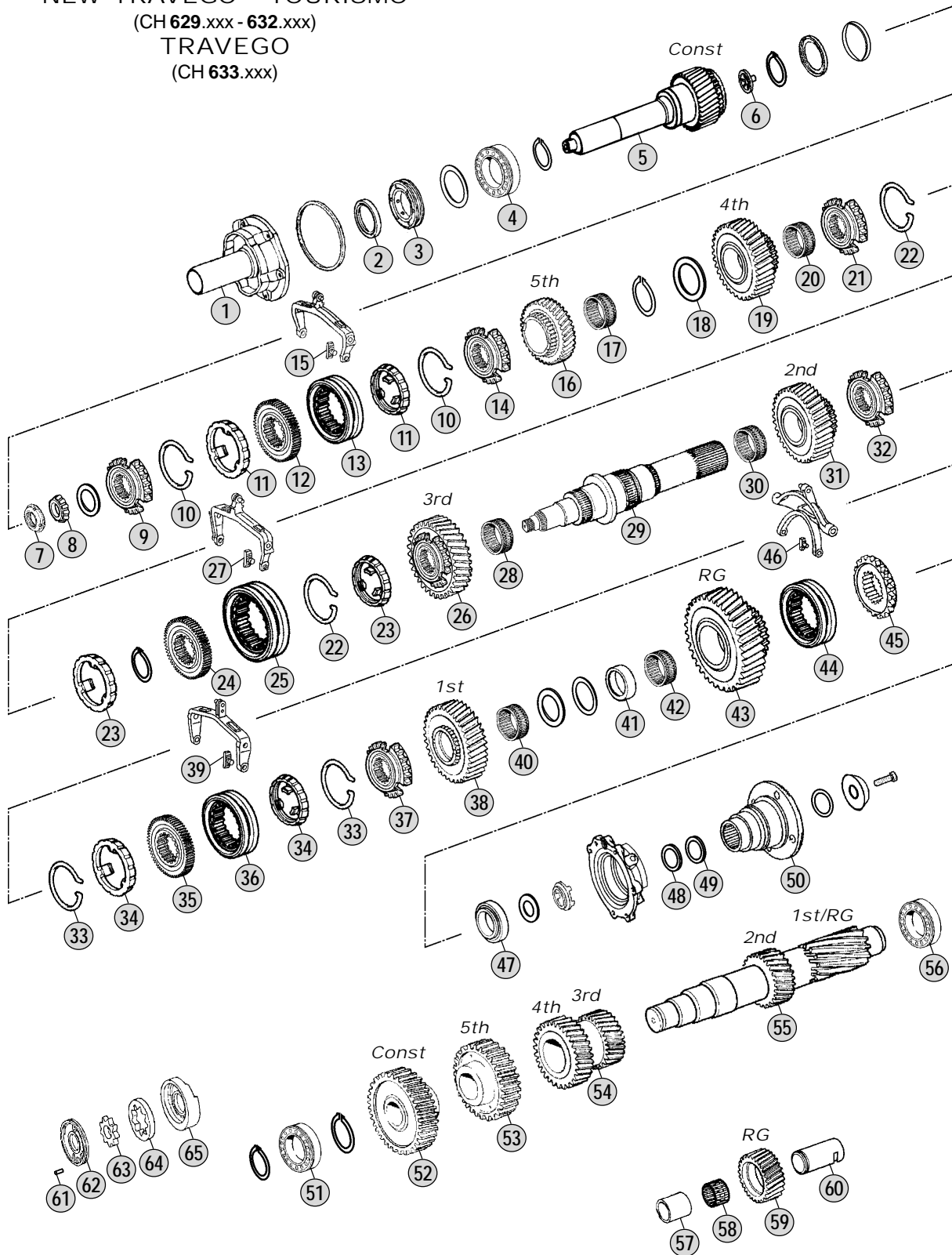
**Models**

G180 - 16 / 11,9 - 0,88    **714.700(EP5)-703-780-781-789-794-795(EP5)-796-797-798-799**  
 G180 - 16 / 14,0 - 1,00    **714.706(EP5)-707**



Adattabile a : **MERCEDES**  
 Suitable To :

**Models**  
 NEW TRAVEGO - TOURISMO  
 (CH 629.xxx - 632.xxx)  
 TRAVEGO  
 (CH 633.xxx)



**Models**

GO190 - 6 / 8,2 - 1,00      714.120-124

Fig.	no.	Rif. MB	Description	Q.ty	Note	GO190-6/8-2-1,0				
1		389 261 6218	Front Cover	1		●				
1		389 261 6618	Front Cover	1		●				
1		656 261 0018	Front Cover	1		●				
2		019 997 0547	Oil Seal 56x72x8	1		●				
3		389 261 0865	Diaphragm	1		●				
4		011 981 1305	Bearing 75x140x34,3	1		●				
5		389 262 8102	Input Shaft 26 T	1		●				
5		389 262 7902	Input Shaft 26 T	1		●				
5		655 262 0802	Input Shaft 26 T	1		●				
6		976 269 0034	Oil Collector	1		●				
7		945 990 0050	Nut M30x1,5	1		●				
8		015 981 1605	Bearing 39,65x82,3x41	1		●				
9		389 262 9734	Synchronizer Cone	1	(A)	●				
9		945 262 7234	Synchronizer Cone	1	(B)	●				
10		387 262 1093	Elastic Ring	2		●				
11		389 262 0637	Synchronizer Ring	2	(A)	●				
11		389 262 3137	Synchronizer Ring	2	(A) LONG LIFE	●				
11		947 260 0545	Synchronizer Ring	2	(B)	●				
11		CEI 119300	Synchronizer Ring	2	(B) LONG LIFE	●				
12		389 262 5335	Synchronizer Hub	1		●				
13		945 262 0323	Sliding Sleeve	1	(A)	●				
13		M945 262 0323	Sliding Sleeve	1	(A) LONG LIFE	●				
13		945 262 6823	Sliding Sleeve	1	(B)	●				
13		M945 262 6823	Sliding Sleeve	1	(B) LONG LIFE	●				
14		389 262 9834	Synchronizer Cone	1	(A)	●				
14		945 262 7134	Synchronizer Cone	1	(B)	●				
15		947 265 0349	Slide Fork	2	BRASS	●				
15		M947 265 0349	Slide Fork	2	IRON	●				
16		389 262 1615	Gear 5th Speed 30 T	1		●				
17		019 981 6010	Needle Cage 60x68x54	1		●				
18		389 262 1862	Washer	1		●				
19		389 262 0914	Gear 4th Speed 35 T	1		●				
20		009 981 1510	Needle Cage K78x86x35ZW	1		●				
21		945 262 5034	Synchronizer Cone	1	(A)	●				
21		945 262 6134	Synchronizer Cone	1	(B)	●				
22		387 262 1093	Elastic Ring	2		●				
23		389 262 0637	Synchronizer Ring	2	(A)	●				
23		389 262 3137	Synchronizer Ring	2	(A) LONG LIFE	●				
23		947 260 0545	Synchronizer Ring	2	(B)	●				
23		CEI 119300	Synchronizer Ring	2	(B) LONG LIFE	●				
24		389 262 4435	Synchronizer Hub	1		●				
25		389 262 2023	Sliding Sleeve	1	(A)	●				
25		M389 262 2023	Sliding Sleeve	1	(A) LONG LIFE	●				
25		945 262 5723	Sliding Sleeve	1	(B)	●				
25		M945 262 5723	Sliding Sleeve	1	(B) LONG LIFE	●				

Notes

(A - B) To be coupled together

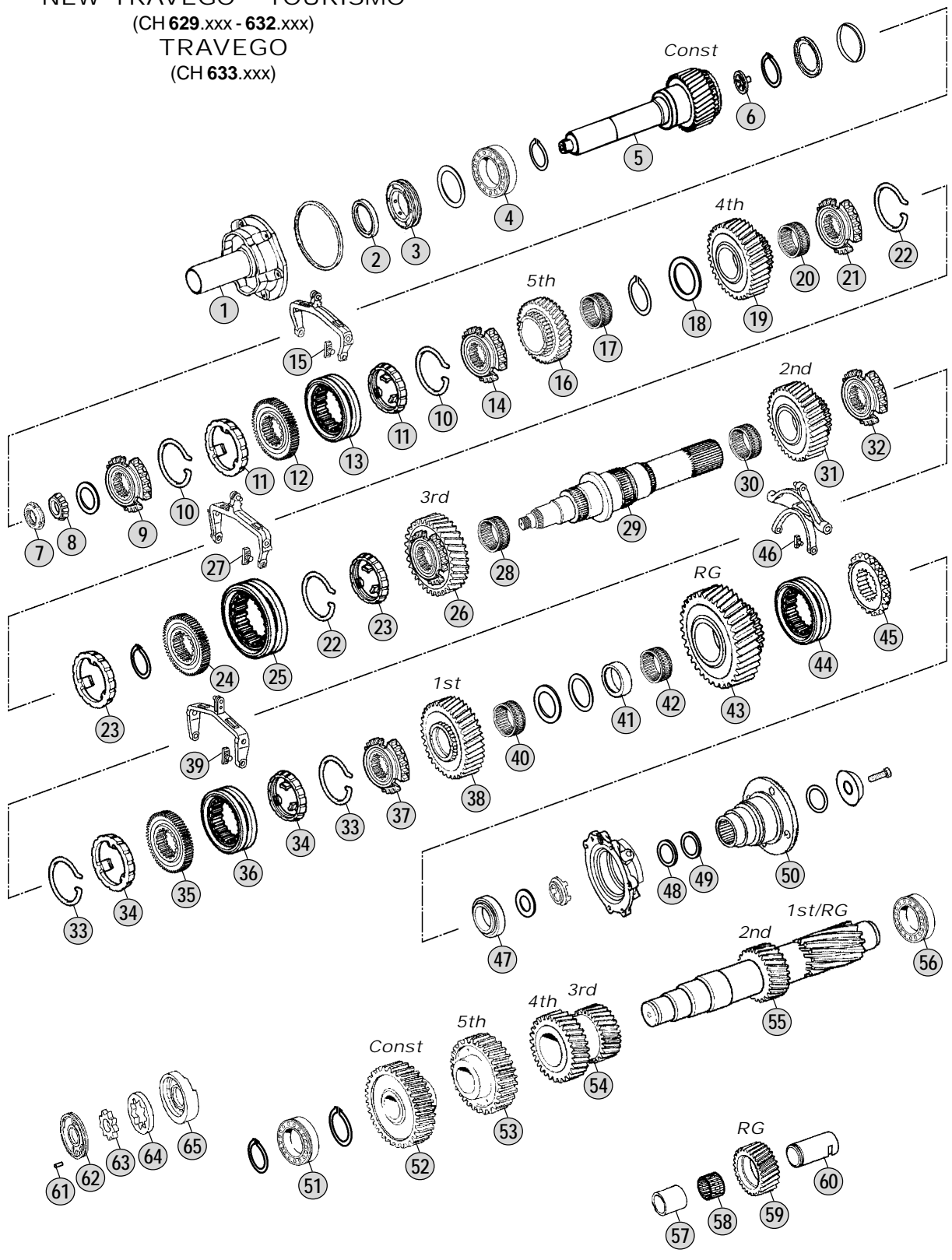
Date

04 / 2011

Table**0220**

Adattabile a : **MERCEDES**  
Suitable To :

**Models**  
NEW TRAVEGO - TOURISMO  
(CH 629.xxx - 632.xxx)  
TRAVEGO  
(CH 633.xxx)



**Models**

GO190 - 6 / 8,2 - 1,00      714.120-124

Fig.	CEI no.	Rif. MB	Description	Q.ty	Note	GO190-6/8-2-1,0				
26	145.972	389 262 4313	Gear 3rd Speed 40 T	1	(A)	●				
26	145.973	945 262 6417	Gear 3rd Speed 40 T	1	(B)	●				
27	141.165	947 265 0349	Slide Fork	2	BRASS	●				
27	141.221	M947 265 0349	Slide Fork	2	IRON	●				
28	137.204	007 981 5510	Needle Cage 92x100x49,5	1		●				
29	103.215	389 262 4605	Main Shaft	1		●				
30	137.204	007 981 5510	Needle Cage 92x100x49,5	1		●				
31	145.815	976 262 1612	Gear 2nd Speed 45 T	1		●				
32	109.351	945 262 4934	Synchronizer Cone	1	(A)	●				
32	109.746	945 262 6034	Synchronizer Cone	1	(B)	●				
33	111.205	387 262 0893	Elastic Ring	2		●				
34	119.161	389 262 0737	Synchronizer Ring	2	(A)	●				
34	119.225	389 262 3237	Synchronizer Ring	2	(A) LONG LIFE	●				
34	119.237	946 262 6137	Synchronizer Ring	2	(B)	●				
34	119.299	CEI 119299	Synchronizer Ring	2	(B) LONG LIFE	●				
35	157.631	389 262 5635	Synchronizer Hub	1		●				
36	154.304	389 262 2123	Sliding Sleeve	1	(A)	●				
36	154.444	M389 262 2123	Sliding Sleeve	1	(A) LONG LIFE	●				
36	154.418	945 262 5623	Sliding Sleeve	1	(B)	●				
36	154.459	M945 262 5623	Sliding Sleeve	1	(B) LONG LIFE	●				
37	109.350	945 262 4834	Synchronizer Cone	2	(A)	●				
37	109.747	945 262 5934	Synchronizer Cone	1	(B)	●				
38	244.038	389 262 3311	Gear 1st Speed 50 T	1		●				
39	141.165	947 265 0349	Slide Fork	2	BRASS	●				
39	141.221	M947 265 0349	Slide Fork	1	IRON	●				
40	137.198	021 981 9410	Needle Cage 85x93x45W	1		●				
41	117.440	389 262 2250	Bush	1		●				
42	137.198	021 981 9410	Needle Cage 85x93x45W	1		●				
43	244.039	389 262 2233	Reverse Gear 47 T	1		●				
44	154.224	389 262 1723	Sliding Sleeve	1	With 157.630	●				
44	154.223	389 262 1823	Sliding Sleeve	1	With 157.626	●				
45	157.630	389 262 4135	Synchronizer Hub	1	With 154.224	●				
45	157.626	389 262 4235	Synchronizer Hub	1	With 154.223	●				
46	141.160	945 265 0149	Slide Fork	2		●				
47	130.581	012 981 3705	Bearing 65x140x13,5	1		●				
48	139.564	020 997 9947	Oil Seal 80x110x10	1		●				
49	139.563	023 997 8547	Oil Seal 80x100x12	1		●				
50	197.192	629 262 0145	Output Flange D.180 mm	1		●				
50	197.202	945 262 3045	Output Flange	1		●				
51	130.554	014 981 1405	Bearing 50,8x100x35	1		●				
52	146.698	389 263 2910	Constant Gear 51 T	1		●				
53	146.697	389 263 0915	Gear 5th Speed 47 T	1		●				
54	143.138	656 263 0013	Double Gear 3rd/4th Sp.-28/38 T	1		●				
55	105.244	389 263 2702	Countershaft 12/19 T	1		●				
56	130.587	012 981 3605	Bearing 45x110x12	1		●				

Notes

(A - B) To be coupled together

Date

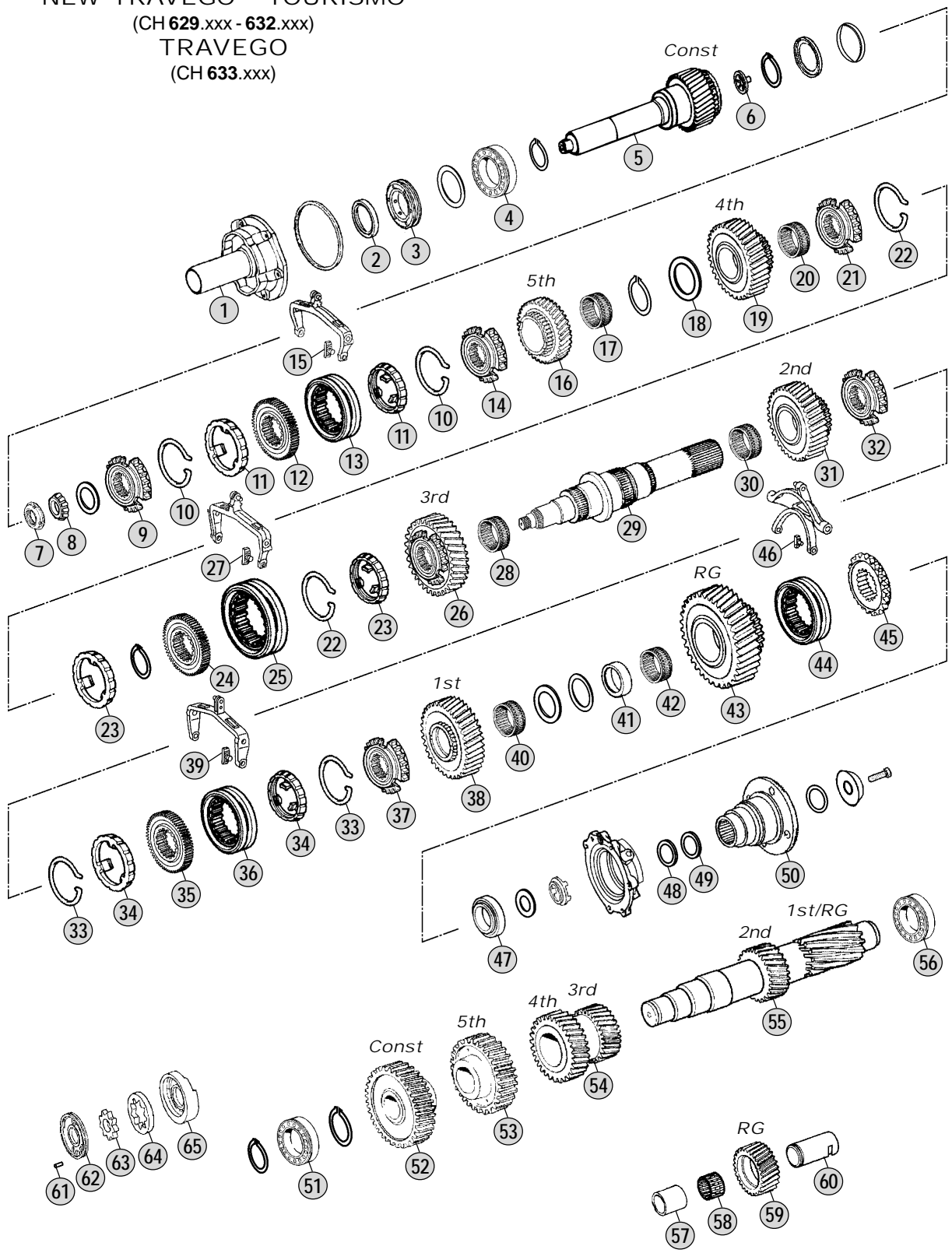
04 / 2011

Table**0220**6 Speeds  
GO190



Adattabile a : **MERCEDES**  
Suitable To :

**Models**  
NEW TRAVEGO - TOURISMO  
(CH 629.xxx - 632.xxx)  
TRAVEGO  
(CH 633.xxx)



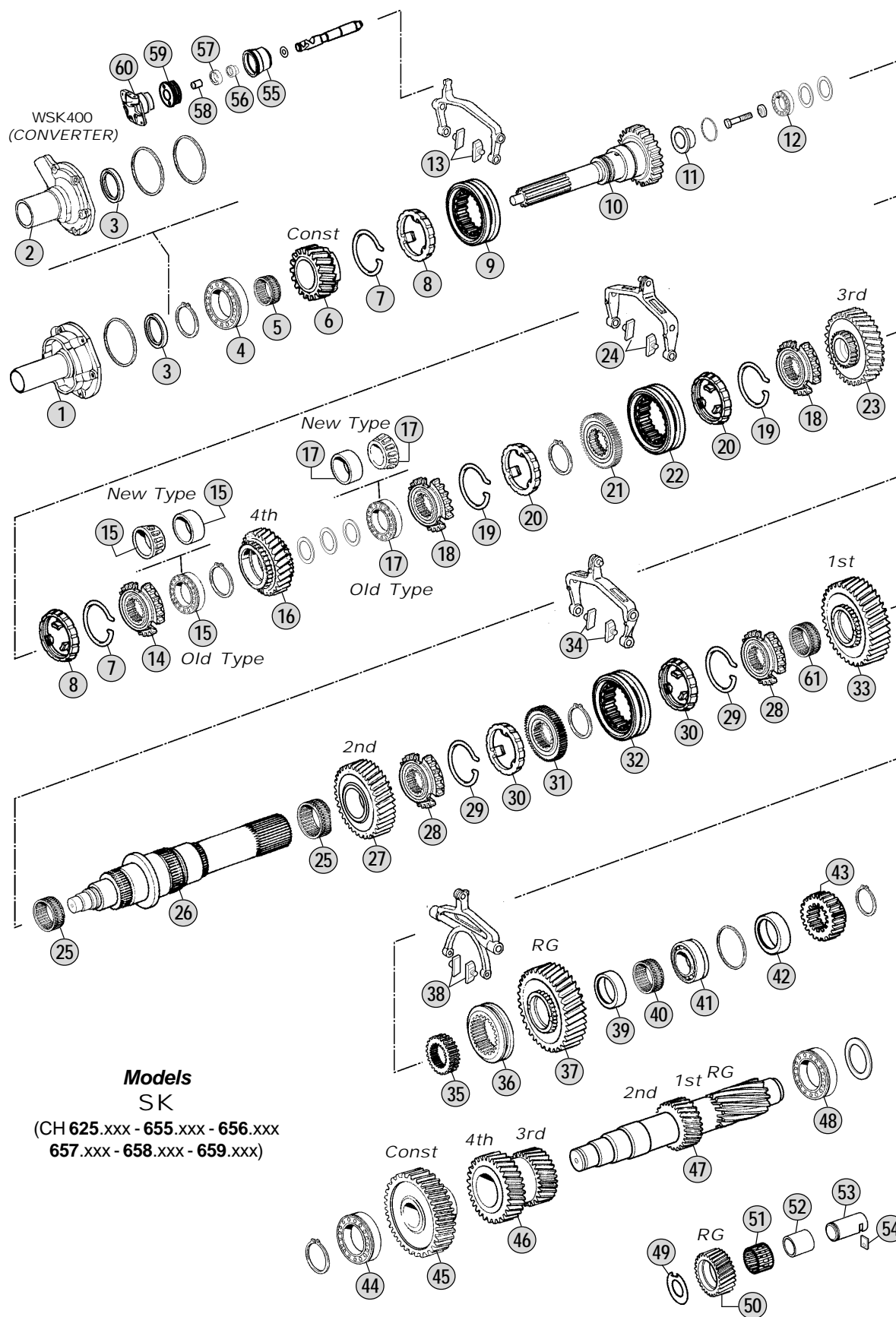
**Models**

GO190 - 6 / 8,2 - 1,00      714.120-124



Adattabile a : **MERCEDES**  
 Suitable To :

Modelli Cambio/ Gearbox Models  
**G200 (16 Speeds)**



**Models**  
**SK**

(CH 625.xxx - 655.xxx - 656.xxx  
 657.xxx - 658.xxx - 659.xxx)

**Models**

G200 - 16 / 11,9 - 0,88      715.200(EPS)-201-202-220-221-222-225-226-230-232-233

Fig.	no.	Rif. MB	Description	Q.ty	Note	G200-16/11,9-0,88				
1		389 261 3318	Front Cover	1		●				
2		389 261 3718	Front Cover	1	WSK400 Up to Gearbox 346269	●				
2		389 261 4918	Front Cover	1	WSK400 From Gearbox 346270	●				
3		024 997 3047	Seal Ring 52x68x8 mm	1		●				
4		011 981 1305	Bearing 75x140x34,3	1		●				
5		009 981 1610	Needle Cage K85x93x37ZW	1		●				
6		389 262 7710	Constant Gear 26 T	1		●				
7		387 262 1093	Elastic Ring	2		●				
8		389 262 0637	Synchronizer Ring	2		●				
8		389 262 3137	Synchronizer Ring	2	LONG LIFE	●				
9		389 262 3023	Sliding Sleeve	1		●				
9		M389 262 3023	Sliding Sleeve	1	LONG LIFE	●				
10		389 262 2901	Input Shaft 60 T	1		●				
10		389 262 3101	Input Shaft 60 T	1	With WSK400 (Converter)	●				
11		018 997 7147	Oil Deflector	1		●				
12		008 981 2805	Bearing 40x90,9x32	1	Oem	●				
12		008 981 2805	Bearing 40x90,9x32	1	A.Market	●				
13		389 265 2449	Slide Fork	2	BRASS	●				
13		M389 265 2449	Slide Fork	2	IRON	●				
14		389 262 5634	Synchronizer Cone	1		●				
15		011 981 7605	Bearing 50x90x32	1	Oem Old Type	●				
15		011 981 7605	Bearing 50x90x32	1	A.Market Old Type	●				
15		015 981 7605	Bearing 50x85x41	1	New Type	●				
15		002 981 1680	Ring D.90	1	New Type	●				
16		389 262 5610	Gear 4th Speed 24 T	1		●				
17		011 981 7705	Bearing 55x90x24	1	Old Type	●				
17		002 981 1580	Ring D.90	1	New Type	●				
17		CEI 130547	Bearing 55x24	1	New Type	●				
18		945 262 0534	Synchronizer Cone	2		●				
19		387 262 0893	Elastic Ring	2		●				
20		389 262 0737	Synchronizer Ring	2		●				
20		389 262 3237	Synchronizer Ring	2	LONG LIFE	●				
21		389 262 1535	Synchronizer Hub	1		●				
22		389 262 2923	Sliding Sleeve	1		●				
22		M389 262 2923	Sliding Sleeve	1	LONG LIFE	●				
23		389 262 2113	Gear 3rd Speed 28 T	1		●				
24		389 265 2349	Slide Fork	2	BRASS	●				
24		M389 265 2349	Slide Fork	2	IRON	●				
25		018 981 6610	Needle Cage K85x93x53ZWD	2		●				
26		389 262 1505	Main Shaft	1		●				
27		389 262 1312	Gear 2nd Speed 32 T	1		●				
28		945 262 0434	Synchronizer Cone	2		●				
29		387 262 0893	Elastic Ring	2		●				
30		389 262 0737	Synchronizer Ring	2		●				
30		389 262 3237	Synchronizer Ring	2	LONG LIFE	●				

## Notes

(A) Up to 06/96  
(B) From 07/96

## Date

04 / 2011

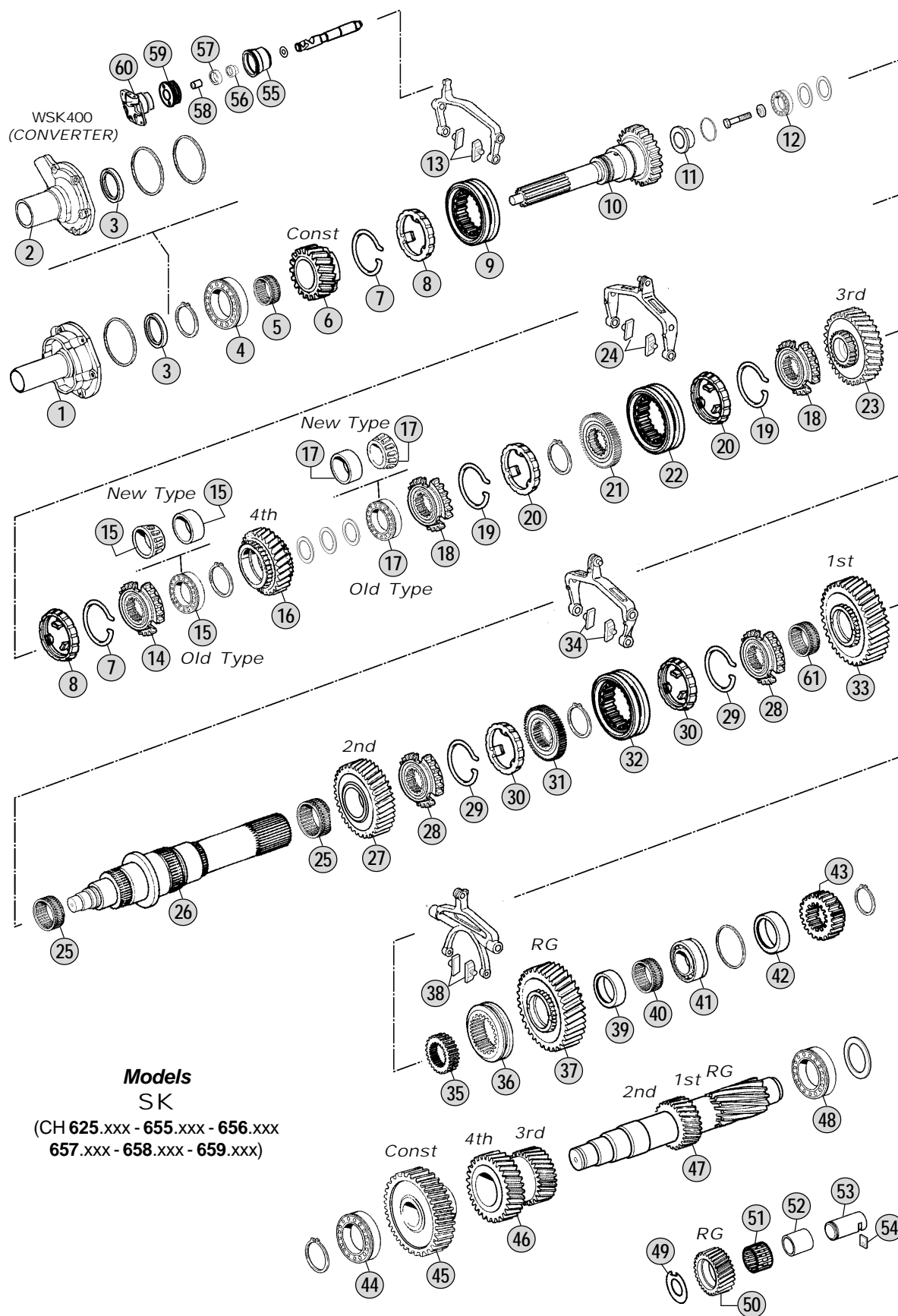
## Table

0230

16 Speeds  
G200

Adattabile a : **MERCEDES**  
 Suitable To :

Modelli Cambio/ Gearbox Models  
**G200 (16 Speeds)**



**Models**  
**SK**

(CH 625.xxx - 655.xxx - 656.xxx  
 657.xxx - 658.xxx - 659.xxx)

**Models**

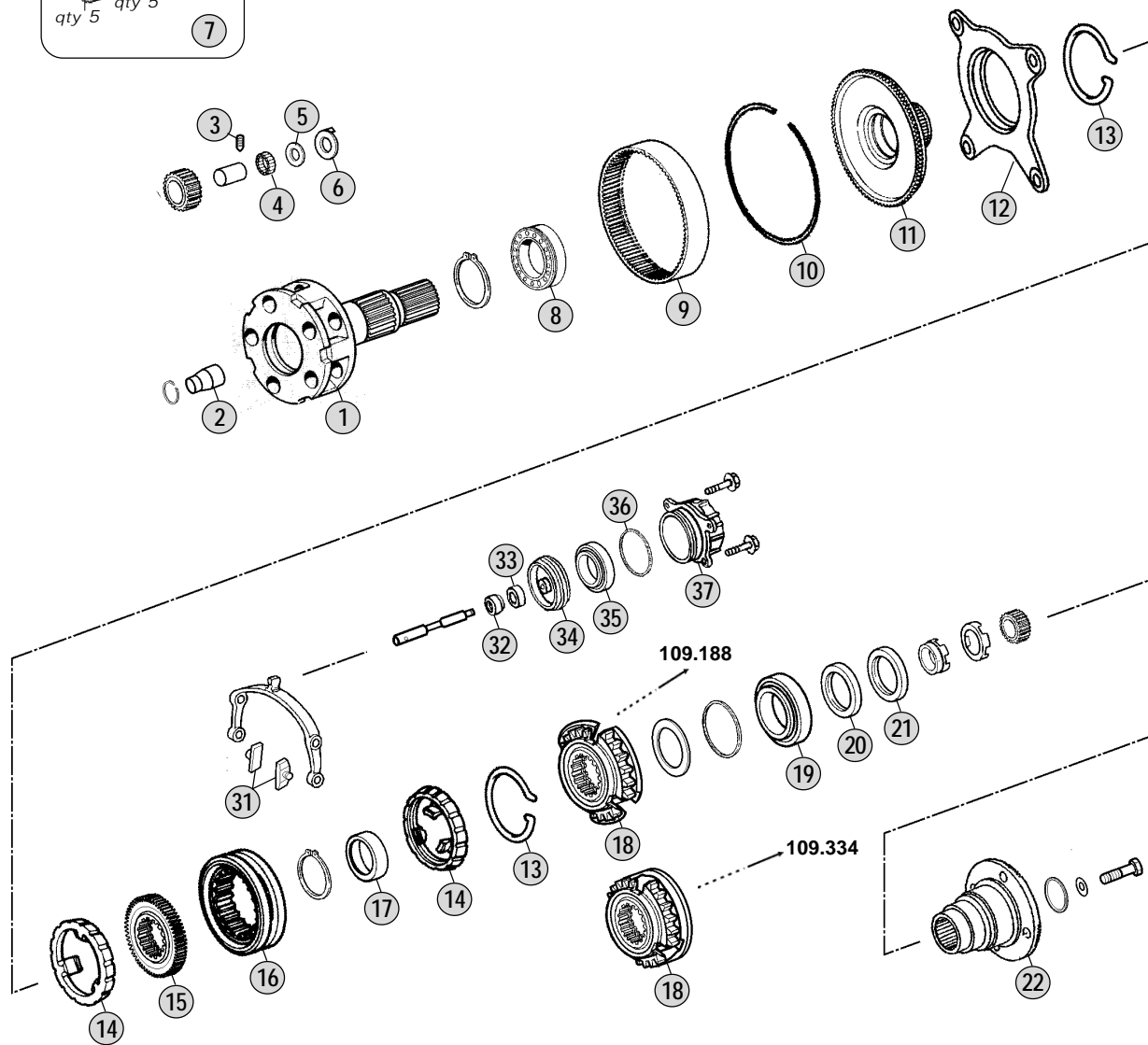
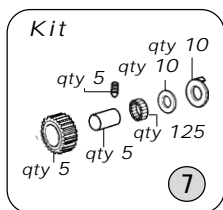
G200 - 16 / 11,9 - 0,88      715.200(EPS)-201-202-220-221-222-225-226-230-232-233





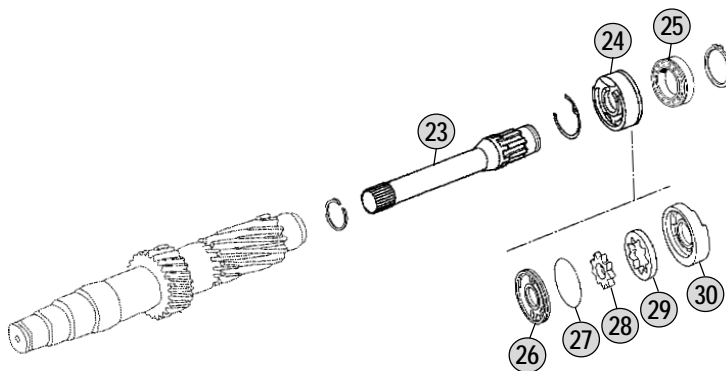
Adattabile a : **MERCEDES**  
 Suitable To :

Modelli Cambio/ Gearbox Models  
**G200 (16 Speeds)**



Oil Pump Shaft & Oil Pump

**Models**  
 SK  
 (CH 625.xxx - 655.xxx - 656.xxx  
 657.xxx - 658.xxx - 659.xxx)



**Models**

G200 - 16 / 11,9 - 0,88    **715.200(EPS)-201-202-220-221-222-225-226-230-232-233**

Fig.	no.	Rif. MB	Description	Q.ty	Note	G200-16/11,9-0,88				
1		389 260 8961	Planetary Carrier	1		●				
2		389 269 0134	Oil Tube	1		●				
3		000914 006109	Stud 6x14 mm	5		●				
4		000 981 4186	Needle 5x39,8	125		●				
5		389 262 0162	Spacer	10		●				
6		389 262 0262	Thrust Washer	10		●				
7		389 260 0497	Repair Kit	1		●				
8		008 981 1325	Bearing 90x130x14	1		●				
9		389 262 0408	Crown Gear 80 T	1		●				
10		389 262 0773	Lock Ring	1		●				
11		389 262 0525	Carrier Hub	1		●				
12		389 260 2036	Synchronizer Flange	1		●				
13		389 262 0293	Elastic Ring	2		●				
14		389 262 0537	Synchronizer Ring	2		●				
14		389 262 3337	Synchronizer Ring	2	LONG LIFE	●				
15		389 262 2035	Synchronizer Hub	1		●				
16		945 262 6623	Sliding Sleeve	1		●				
16		M945 262 6623	Sliding Sleeve	1	LONG LIFE	●				
17		389 262 0251	Bush	1		●				
18		389 262 4034	Synchronizer Cone	1		●				
18		389 262 9134	Synchronizer Cone	1		●				
19		004 981 9325	Bearing 85x150x28	1		●				
20		013 997 7247	Oil Seal 95x115x13	1		●				
21		013 997 7347	Oil Seal 95x115x13	1		●				
22		389 262 0445	Output Flange D.180 mm	1	Excl.715.221-230-232-233	●				
22		389 262 0645	Output Flange D.200 mm	1	Only 715.221-230-232-233	●				
23		389 269 1210	Oil Pump Shaft	1		●				
24		389 260 0690	Oil Pump	1	Old Type-Assembly	●				
25		004 981 9225	Bearing 45x75x16	1		●				
26		389 269 2601	Oil Pump Cover	1	New Type-Disassembled	●				
27		029 997 5748	O Ring	1	New Type-Disassembled	●				
28		389 269 1406	Oil Pump Gear	1	New Type-Disassembled	●				
29		389 269 0706	Oil Pump Hub	1	New Type-Disassembled	●				
30		947 269 1001	Oil Pump Housing	1	New Type-Disassembled	●				
31		389 265 2449	Slide Fork	2	BRASS	●				
31		M389 265 2449	Slide Fork	2	IRON	●				
32		000 267 0197	Oil Seal 22x32x8	1		●				
33		387 267 0650	Bush Th.8(34x22) mm	1		●				
34		389 267 1018	Cylinder	1		●				
35		024 997 8347	Oil Seal 77x90x17	1		●				
36		020 997 8948	O Ring 3,0x89,5	1		●				
37		945 267 1119	Cylinder	1		●				

Notes

Date

04 / 2011

Table

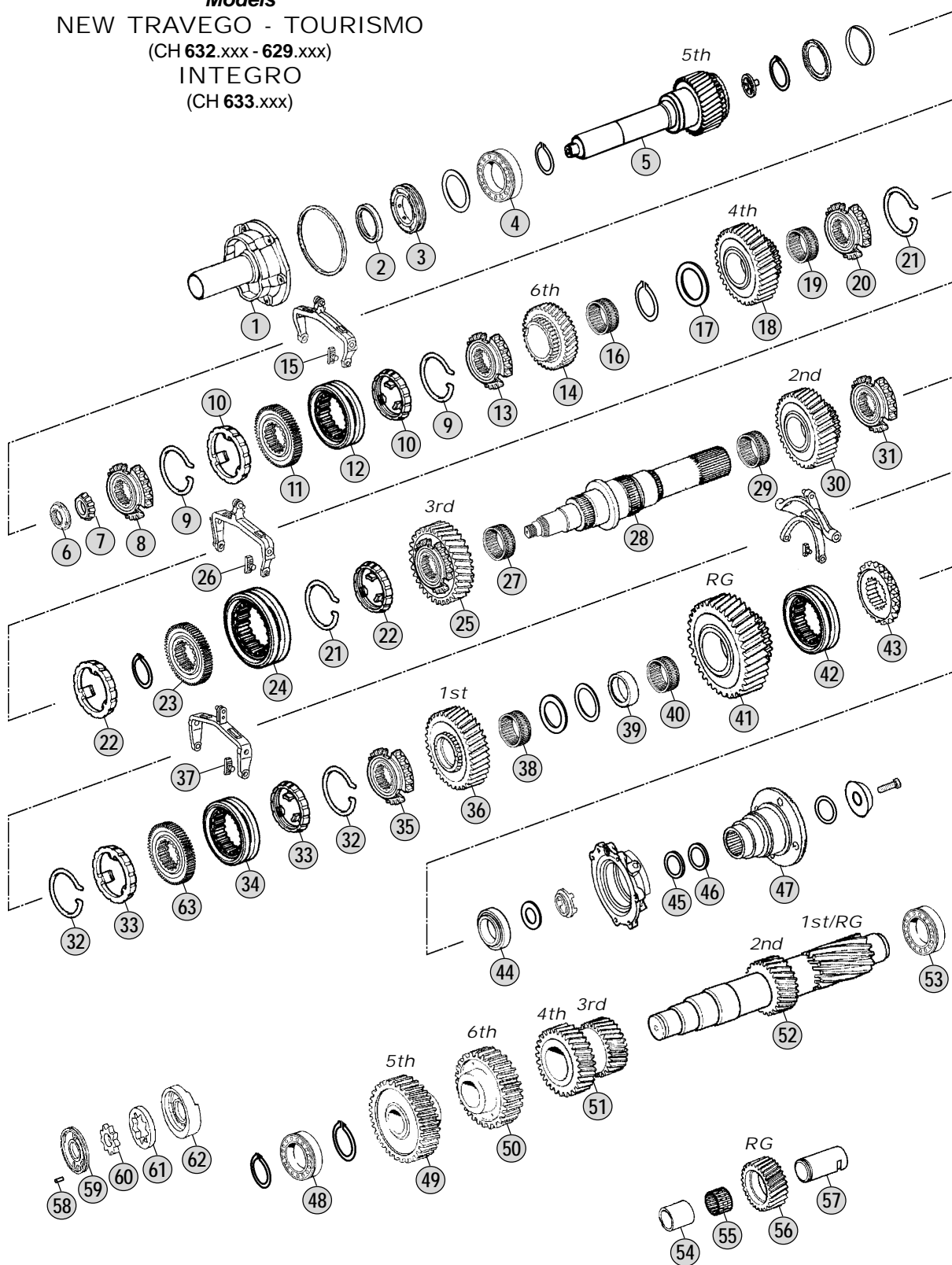
0235

16 Speeds  
G200

Adattabile a : **MERCEDES**  
 Suitable To :

Modelli Cambio/ Gearbox Models  
**GO210 (6 Speeds)**

**Models**  
 NEW TRAVEGO - TOURISMO  
 (CH 632.xxx - 629.xxx)  
 INTEGRO  
 (CH 633.xxx)



**Models**

GO210 - 6 / 6,5-0,8 715.140-141-142-143(EPS)-144

Fig.	no.	Rif. MB	Description	Q.ty	Note	G0210-06-5-0,8				
1		389 261 6218	Front Cover	1		●				
1		389 261 6618	Front Cover	1		●				
1		656 261 0018	Front Cover	1		●				
2		019 997 0547	Oil Seal 56x72x8	1		●				
3		389 261 0865	Diaphragm	1		●				
4		011 981 1305	Bearing 75x140x34,3	1		●				
5		656 262 3282	Input Shaft 30 T	1		●				
6		945 990 0250	Nut M30x1,5	1		●				
7		015 981 1605	Bearing 39,65x82,3x41	1		●				
8		945 262 0334	Synchronizer Cone	1	(A)	●				
8		945 262 3634	Synchronizer Cone	1	(B)	●				
9		387 262 1093	Elastic Ring	2		●				
10		389 262 0637	Synchronizer Ring	2	(A)	●				
10		389 262 3137	Synchronizer Ring	2	(A) LONG LIFE	●				
10		947 260 0545	Synchronizer Ring	2	(B)	●				
10		CEI 119300	Synchronizer Ring	2	(B) LONG LIFE	●				
11		389 262 5335	Synchronizer Hub	1		●				
12		945 262 0323	Sliding Sleeve	1	(A)	●				
12		M945 262 0323	Sliding Sleeve	1	(A) LONG LIFE	●				
12		945 262 6823	Sliding Sleeve	1	(B)	●				
12		M945 262 6823	Sliding Sleeve	1	(B) LONG LIFE	●				
13		389 262 9834	Synchronizer Cone	1	(A)	●				
13		945 262 7134	Synchronizer Cone	1	(B)	●				
14		389 262 0816	Gear 6th Speed 26 T	1		●				
15		947 265 0349	Slide Fork	2	BRASS	●				
15		M947 265 0349	Slide Fork	2	IRON	●				
16		019 981 6010	Needle Cage 60x68x54	1		●				
17		389 262 1862	Washer	1		●				
18		389 262 0914	Gear 4th Speed 35 T	1		●				
19		009 981 1510	Needle Cage K78x86x35ZW	1		●				
20		945 262 5034	Synchronizer Cone	1	(A)	●				
20		945 262 6134	Synchronizer Cone	1	(B)	●				
21		387 262 1093	Elastic Ring	2		●				
22		389 262 0637	Synchronizer Ring	2	(A)	●				
22		389 262 3137	Synchronizer Ring	2	(A) LONG LIFE	●				
22		947 260 0545	Synchronizer Ring	2	(B)	●				
22		CEI 119300	Synchronizer Ring	2	(B) LONG LIFE	●				
23		389 262 4435	Synchronizer Hub	1		●				
24		389 262 2023	Sliding Sleeve	1	(A)	●				
24		M389 262 2023	Sliding Sleeve	1	(A) LONG LIFE	●				
24		945 262 5723	Sliding Sleeve	1	(B)	●				
24		M945 262 5723	Sliding Sleeve	1	(B) LONG LIFE	●				
25		389 262 4313	Gear 3rd Speed 40 T	1	(A)	●				
25		945 262 6417	Gear 3rd Speed 40 T	1	(B)	●				
26		947 265 0349	Slide Fork	1	BRASS	●				

Notes

(A - B) To be coupled together

Date

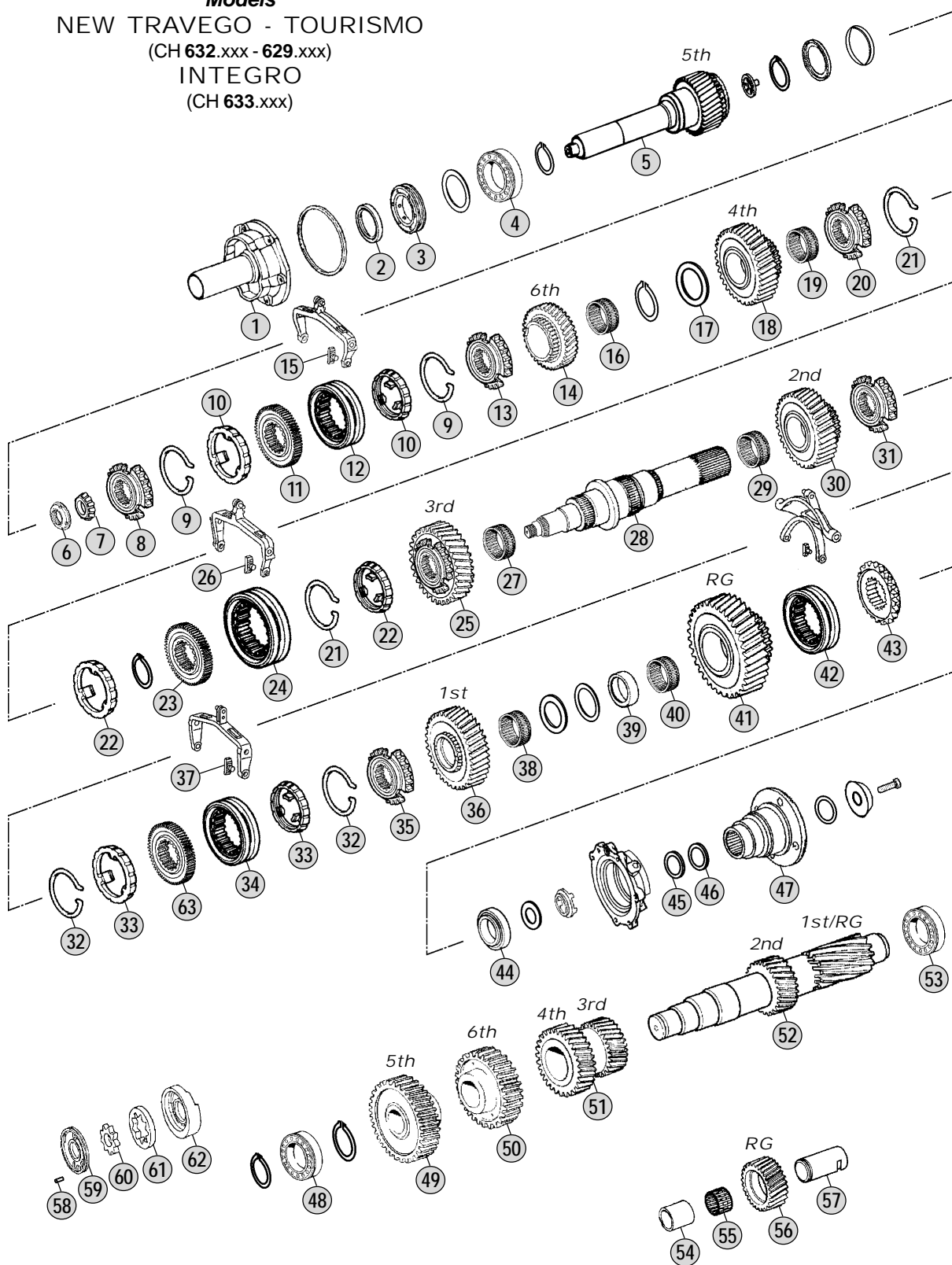
04 / 2011

Table**0240**6 Speeds  
G210

Adattabile a : **MERCEDES**  
 Suitable To :

Modelli Cambio/ Gearbox Models  
**GO210 (6 Speeds)**

**Models**  
 NEW TRAVEGO - TOURISMO  
 (CH 632.xxx - 629.xxx)  
 INTEGRO  
 (CH 633.xxx)



**Models**

GO210 - 6 / 6,5-0,8 715.140-141-142-143(EPS)-144

Fig.	no.	Rif. MB	Description	Q.ty	Note	G0210-06-5-0,8				
26		M947 265 0349	Slide Fork	2	IRON	●				
27		007 981 5510	Needle Cage 92x100x49,5	1		●				
28		389 262 4605	Main Shaft	1		●				
29		007 981 5510	Needle Cage 92x100x49,5	1		●				
30		976 262 1612	Gear 2nd Speed 45 T	1		●				
31		945 262 4934	Synchronizer Cone	1	(A)	●				
31		945 262 6034	Synchronizer Cone	1	(B)	●				
32		387 262 0893	Elastic Ring	2		●				
33		389 262 0737	Synchronizer Ring	2	(A)	●				
33		389 262 3237	Synchronizer Ring	2	(A) LONG LIFE	●				
33		946 262 6137	Synchronizer Ring	2	(B)	●				
33		CEI 119299	Synchronizer Ring	2	(B) LONG LIFE	●				
34		389 262 2123	Sliding Sleeve	1	(A)	●				
34		M389 262 2123	Sliding Sleeve	1	(A) LONG LIFE	●				
34		945 262 5623	Sliding Sleeve	1	(B)	●				
34		M945 262 5623	Sliding Sleeve	1	(B) LONG LIFE	●				
35		945 262 4834	Synchronizer Cone	1	(A)	●				
35		945 262 5934	Synchronizer Cone	1	(B)	●				
36		389 262 3311	Gear 1st Speed 50 T	1		●				
37		947 265 0349	Slide Fork	2	BRASS	●				
37		M947 265 0349	Slide Fork	2	IRON	●				
38		021 981 9410	Needle Cage 85x93x45W	1		●				
39		389 262 2250	Bush	1		●				
40		021 981 9410	Needle Cage 85x93x45W	1		●				
41		389 262 2233	Reverse Gear 47 T	1		●				
42		389 262 1723	Sliding Sleeve	1	With 157.630	●				
42		389 262 1823	Sliding Sleeve	1	With 157.626	●				
43		389 262 4135	Synchronizer Hub	1	With 154.224	●				
43		389 262 4235	Synchronizer Hub	1	With 154.223	●				
44		012 981 3705	Bearing 65x140x13,5	1		●				
45		020 997 9947	Oil Seal 80x110x10	1		●				
46		023 997 8547	Oil Seal 80x100x12	1		●				
47		629 262 0145	Output Flange D.180 mm	1		●				
47		945 262 3045	Output Flange	1		●				
48		014 981 1405	Bearing 50,8x100x35	1		●				
49		389 263 1910	Constant Gear 47 T	1		●				
50		389 263 0116	Gear 6th Speed 51 T	1		●				
51		656 263 0013	Double Gear 3rd/4th Sp.-28/38 T	1		●				
52		389 263 2702	Countershaft 12/19 T	1		●				
53		012 981 3605	Bearing 45x110x12	1		●				
54		389 263 0650	Bush	1		●				
55		015 981 4110	Needle Cage	1		●				
56		389 263 1931	Reverse Gear 21 T	1		●				
57		976 263 0330	Reverse Shaft	1		●				
58		629 261 0074	Pin	1		●				

Notes

(A - B) To be coupled together

Date

04 / 2011

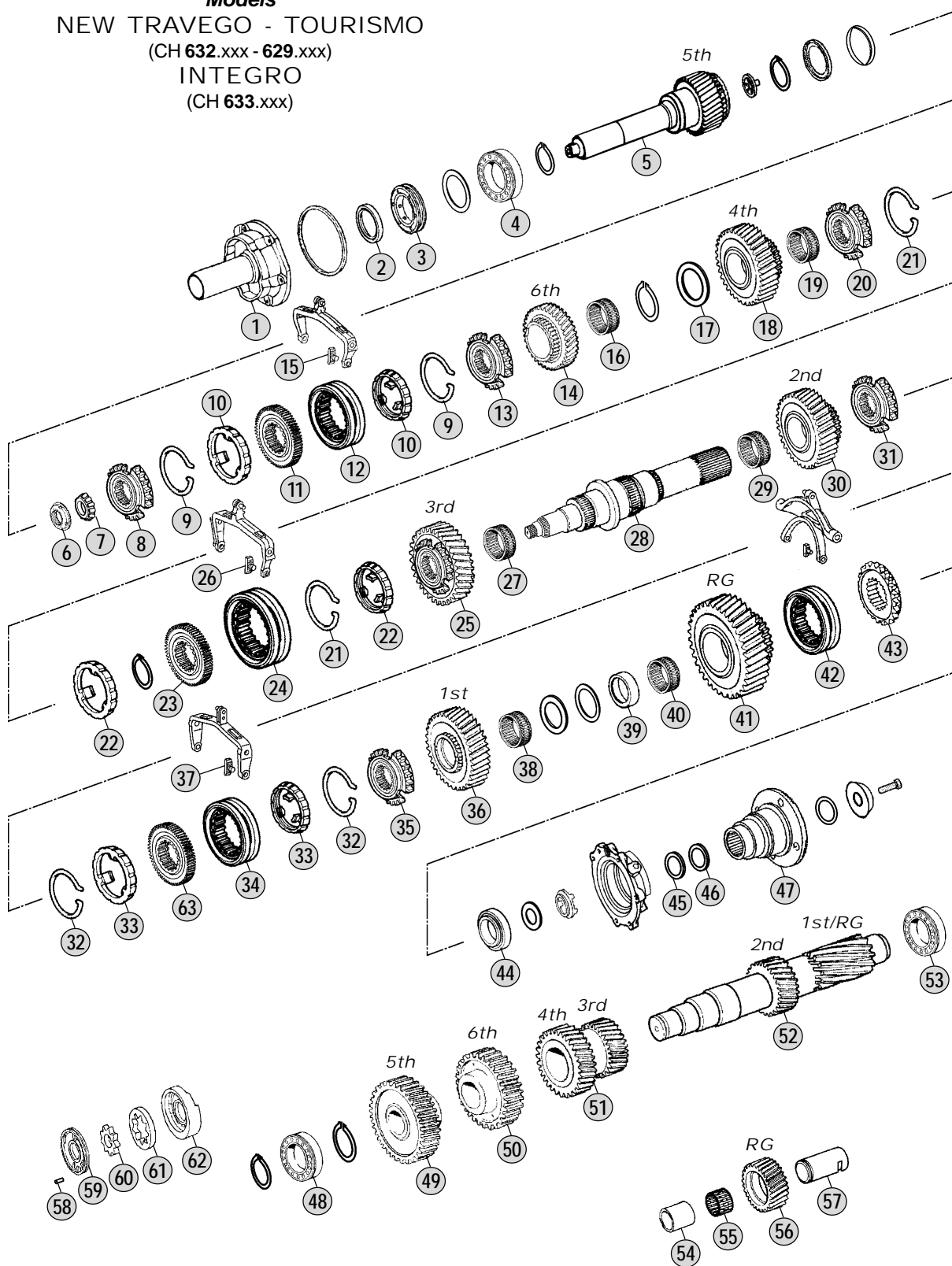
Table**0240**



Adattabile a : **MERCEDES**  
 Suitable To :

Modelli Cambio/ Gearbox Models  
**GO210 (6 Speeds)**

**Models**  
 NEW TRAVEGO - TOURISMO  
 (CH 632.xxx - 629.xxx)  
 INTEGRO  
 (CH 633.xxx)



**Models**

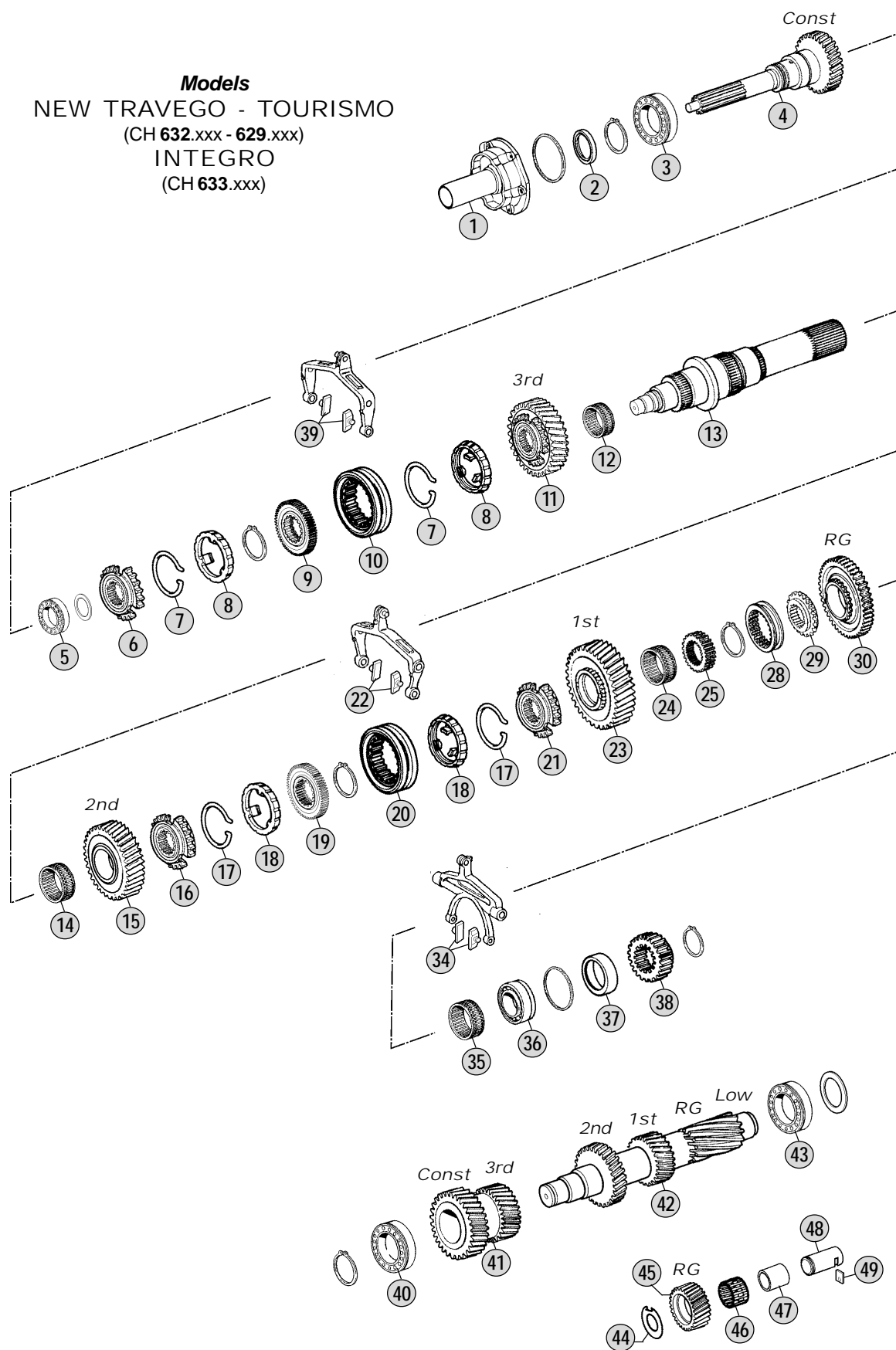
GO210 - 6 / 6,5-0,8 715.140-141-142-143(EPS)-144



Adattabile a : **MERCEDES**  
 Suitable To :

Modelli Cambio/ Gearbox Models  
**GO210 (8 Speeds)**

**Models**  
 NEW TRAVEGO - TOURISMO  
 (CH 632.xxx - 629.xxx)  
 INTEGRO  
 (CH 633.xxx)



**Models**

GO210 - 8 / 11,8 - 1,00 **714.743(EPS)**

Fig.	no.	Rif. MB	Description	Q.ty	Note	GO210-8/11,8-1,0				
1		389 261 3318	Front Cover	1		●				
2		024 997 3047	Seal Ring 52x68x8 mm	1		●				
3		011 981 1305	Bearing 75x140x34,3	1		●				
4		389 262 3502	Input Shaft 24 T	1		●				
5		008 981 2805	Bearing 40x90,9x32	1	Oem	●				
5		008 981 2805	Bearing 40x90,9x32	1	A.Market	●				
6		389 262 5634	Synchronizer Cone	1		●				
7		387 262 1093	Elastic Ring	2		●				
8		389 262 0637	Synchronizer Ring	2		●				
8		389 262 3137	Synchronizer Ring	2	LONG LIFE	●				
9		389 262 0635	Synchronizer Hub	1		●				
10		389 262 3023	Sliding Sleeve	1		●				
10		M389 262 3023	Sliding Sleeve	1	LONG LIFE	●				
11		389 262 1013	Gear 3rd Speed 27 T	1		●				
12		009 981 1410	Needle Cage 75x83x48	1		●				
13		389 262 1305	Main Shaft	1		●				
14		018 981 6610	Needle Cage K85x93x53ZWD	1		●				
15		389 262 1412	Gear 2nd Speed 34 T	1		●				
16		389 262 0534	Synchronizer Cone	1		●				
17		387 262 0893	Elastic Ring	2		●				
18		389 262 0737	Synchronizer Ring	2		●				
18		389 262 3237	Synchronizer Ring	2	LONG LIFE	●				
19		389 262 0035	Synchronizer Hub	1		●				
20		389 262 2923	Sliding Sleeve	1		●				
21		945 262 0434	Synchronizer Cone	1		●				
22		389 265 2349	Slide Fork	2	BRASS	●				
22		M389 265 2349	Slide Fork	2	IRON	●				
23		389 262 1711	Gear 1st Speed 41 T	1		●				
24		008 981 8310	Needle Cage 75x83x55W	1		●				
25		389 262 2135	Synchronizer Hub	1		●				
28		389 262 1823	Sliding Sleeve	1		●				
29		389 262 0140	Synchronizer Cone	1		●				
30		389 262 1833	Reverse Gear 34 T	1		●				
34		945 265 0149	Slide Fork	2		●				
35		013 981 6510	Needle Cage 60x72x70W	1		●				
36		014 981 6105	Bearing 60x130x30	1		●				
37		389 262 0152	Spacer Th.20,3(74x60) mm	1	(A)	●				
37		389 262 3754	Spacer Th.18(74x60) mm	1	(B)	●				
38		389 262 0409	Sun Gear 25 T	1	(A)	●				
38		389 262 0209	Sun Gear 25 T	1	(B)	●				
39		389 265 2349	Slide Fork	2	BRASS	●				
39		M389 265 2349	Slide Fork	2	IRON	●				
40		014 981 1405	Bearing 50,8x100x35	1		●				
41		389 263 1113	Double Gear 4th/3rd Sp.-28/24 T	1		●				
42		389 263 0902	Countershaft 21/17/12 T	1		●				

**Notes**

- (A) Up to gearbox 182425 - See GP section (table 0255) for the coupling  
 (B) From gearbox 182426 - See GP section (table 0255) for the coupling  
 (C) Up to 06/96  
 (D) From 07/96

**Date**

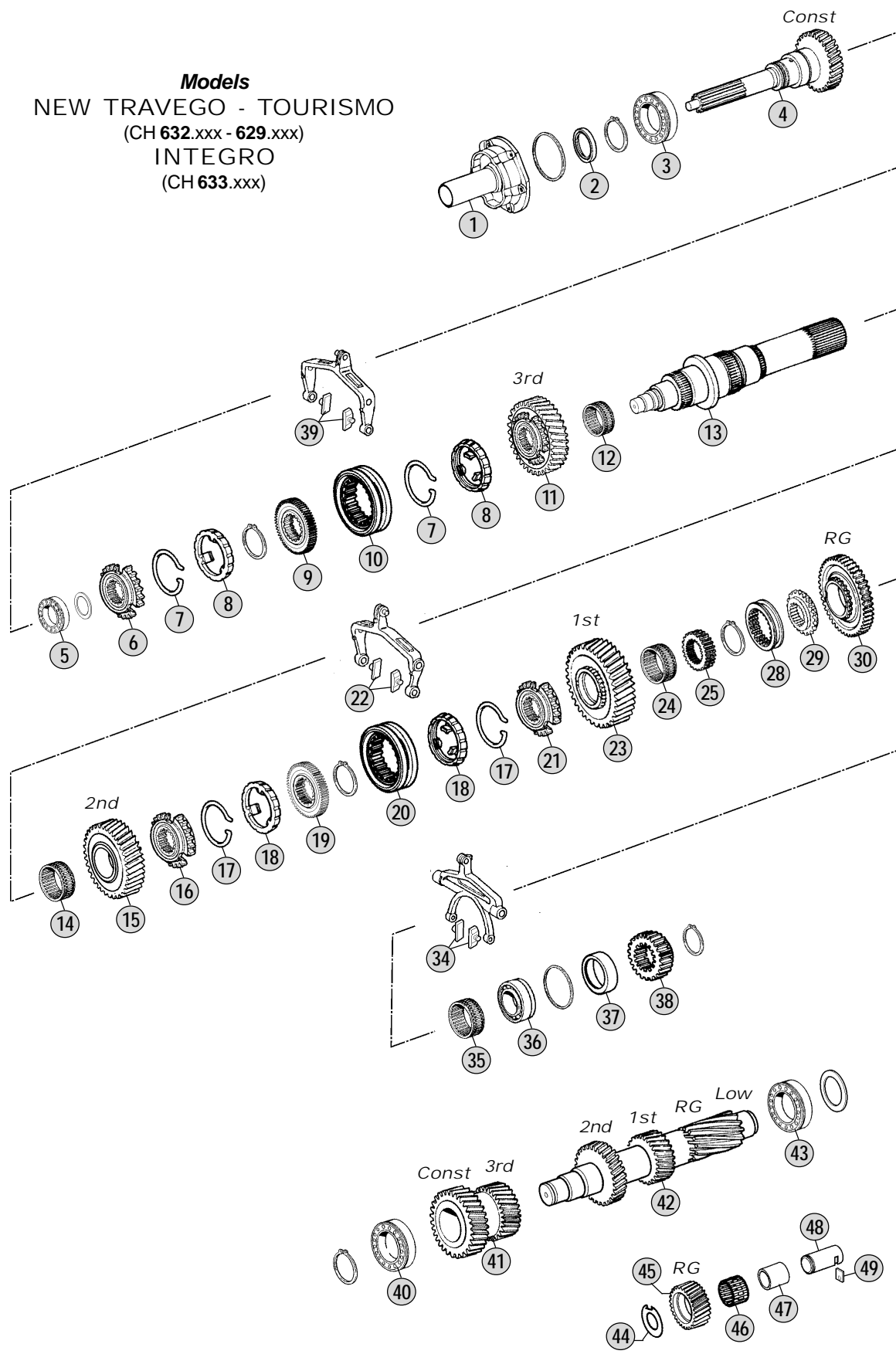
04 / 2011

**Table****0250**8 Speeds  
GO210

Adattabile a : **MERCEDES**  
 Suitable To :

Modelli Cambio/ Gearbox Models  
**GO210 (8 Speeds)**

**Models**  
 NEW TRAVEGO - TOURISMO  
 (CH 632.xxx - 629.xxx)  
 INTEGRO  
 (CH 633.xxx)



**Models**

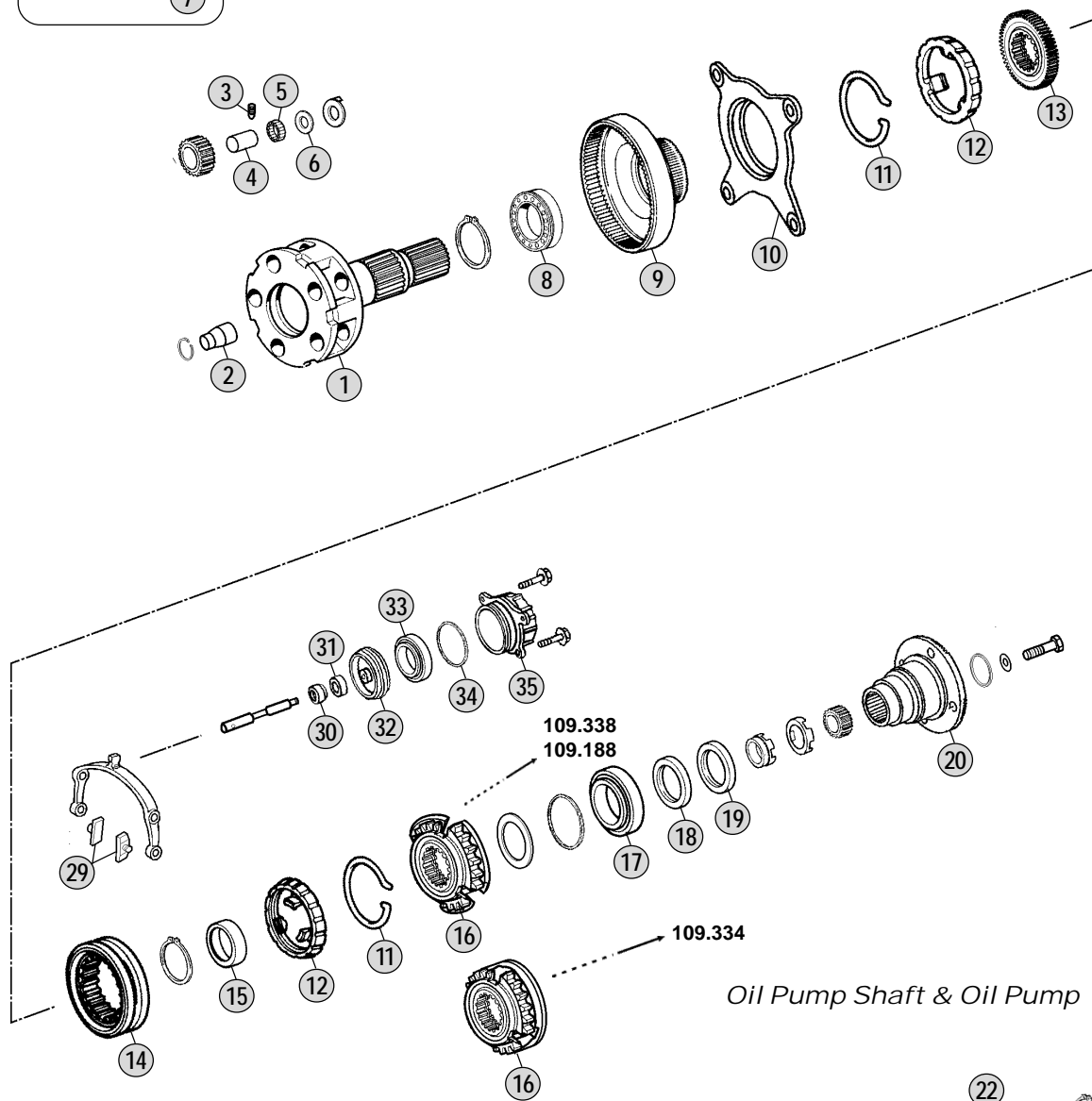
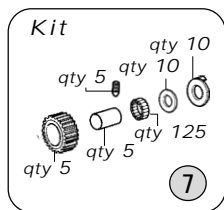
GO210 - 8 / 11,8 - 1,00 **714.743(EPS)**



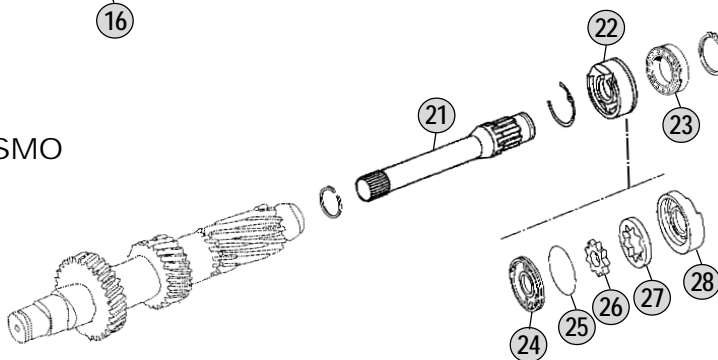


Adattabile a : **MERCEDES**  
 Suitable To :

Modelli Cambio/ Gearbox Models  
**GO210 (8 Speeds)**



**Models**  
 NEW TRAVEGO - TOURISMO  
 (CH 632.xxx - 629.xxx)  
 INTEGRO  
 (CH 633.xxx)



**Models**

GO210 - 8 / 11,8 - 1,00    **714.743(EPS)**

Fig.	no.	Rif. MB	Description	Q.ty	Note	GO210-8/11,8-1,0				
1		389 260 0661	Planetary Carrier	1	(A)	●				
1		389 260 8961	Planetary Carrier	1	(B)	●				
2		389 269 0134	Oil Tube	1		●				
3		000914 006109	Stud 6x14 mm	5		●				
4		001 981 2887	Needle 5x36,7	125	(A)	●				
4		000 981 4186	Needle 5x39,8	125	(B)	●				
5		389 262 0162	Spacer	10		●				
6		389 262 0262	Thrust Washer	10		●				
7		389 260 0297	Repair Kit	1	(A)	●				
7		389 260 0497	Repair Kit	1	(B)	●				
8		008 981 1325	Bearing 90x130x14	1		●				
9		389 262 0208	Crown Gear 80 T	1		●				
10		389 260 0936	Synchronizer Flange	1	(E)	●				
10		389 260 2036	Synchronizer Flange	1	(F)	●				
11		389 262 0293	Elastic Ring	2		●				
12		389 262 0537	Synchronizer Ring	2		●				
12		389 262 3337	Synchronizer Ring	2	LONG LIFE	●				
13		389 262 0535	Synchronizer Hub	1	(E) Outer Teeth Z 72	●				
13		389 262 2035	Synchronizer Hub	1	(F) Outer Teeth Z 73	●				
14		389 262 1523	Sliding Sleeve	1	(E) Inner Teeth Z 72	●				
14		M389 262 1523	Sliding Sleeve	1	(E) LONG LIFE Z 72	●				
14		945 262 6623	Sliding Sleeve	1	(F) Inner Teeth Z 73	●				
14		M945 262 6623	Sliding Sleeve	1	(F) LONG LIFE Z 73	●				
15		389 262 0251	Bush	1		●				
16		389 262 2334	Synchronizer Cone	1	(E)	●				
16		389 262 4034	Synchronizer Cone	1	(F)	●				
16		389 262 9134	Synchronizer Cone	1	(F)	●				
17		004 981 9325	Bearing 85x150x28	1		●				
18		013 997 7247	Oil Seal 95x115x13	1		●				
19		013 997 7347	Oil Seal 95x115x13	1		●				
20		389 262 0445	Output Flange D.180 mm	1		●				
21		389 269 1210	Oil Pump Shaft	1		●				
22		389 260 0690	Oil Pump	1	Old Type-Assembly	●				
23		004 981 9225	Bearing 45x75x16	1		●				
24		389 269 2601	Oil Pump Cover	1	New Type-Disassembled	●				
25		029 997 5748	O Ring	1	New Type-Disassembled	●				
26		389 269 1406	Oil Pump Gear	1	New Type-Disassembled	●				
27		389 269 0706	Oil Pump Hub	1	New Type-Disassembled	●				
28		947 269 1001	Oil Pump Housing	1	New Type-Disassembled	●				
29		389 265 2449	Slide Fork	2	BRASS	●				
29		M389 265 2449	Slide Fork	2	IRON	●				
30		000 267 0197	Oil Seal 22x32x8	1		●				
31		387 267 0650	Bush Th.8(34x22) mm	1		●				
32		389 267 1018	Cylinder	1		●				
33		024 997 8347	Oil Seal 77x90x17	1		●				

## Notes

(A) Up to gearbox 182425 - See Sun gear (table 0250) for the coupling  
 (B) From gearbox 182426 - See Sun gear (table 0250) for the coupling  
 (E) Up to gearbox 201817  
 (F) From gearbox 201818

## Date

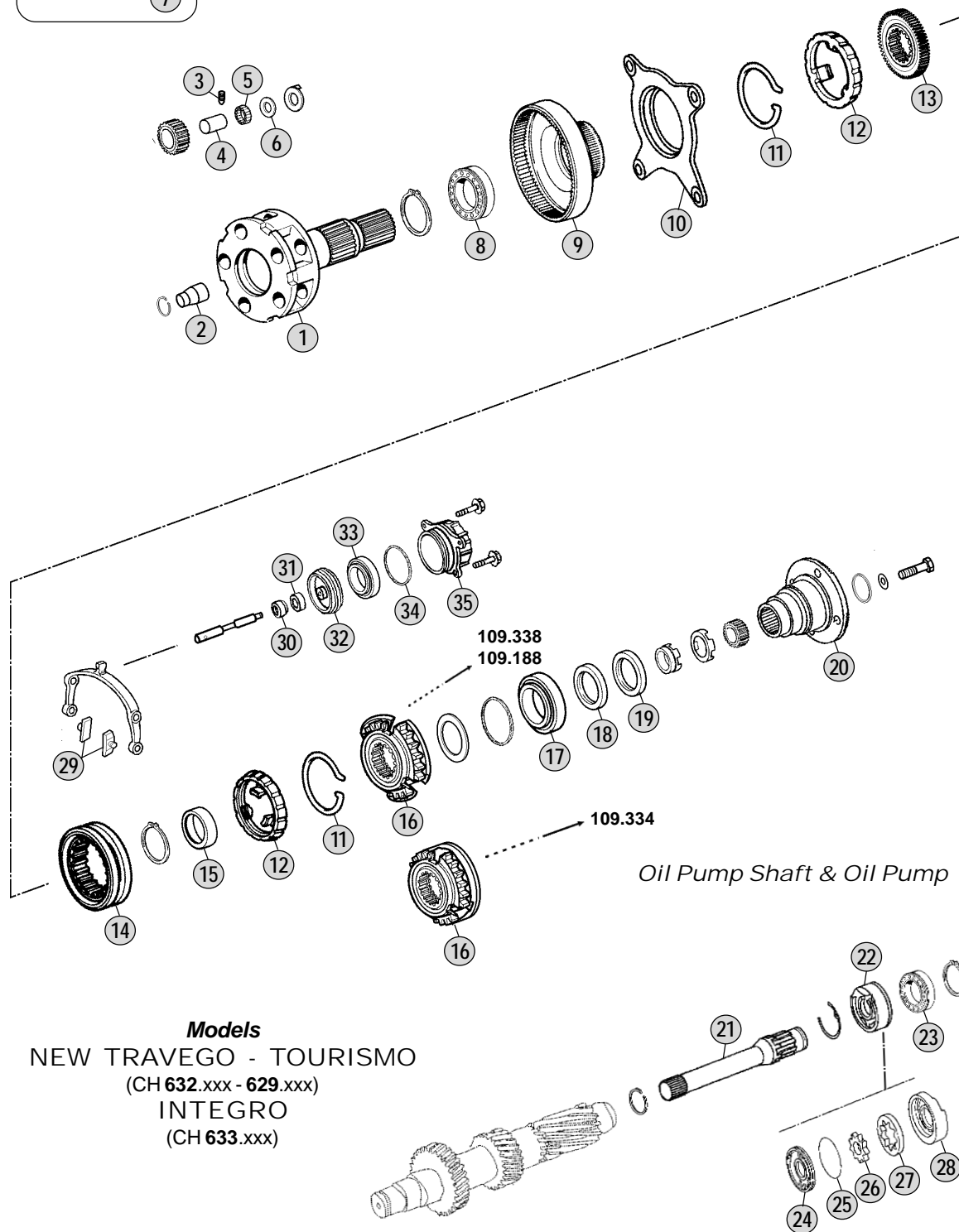
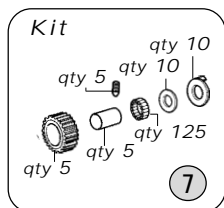
04 / 2011

## Table

0255

Adattabile a : **MERCEDES**  
 Suitable To :

Modelli Cambio/ Gearbox Models  
**GO210 (8 Speeds)**



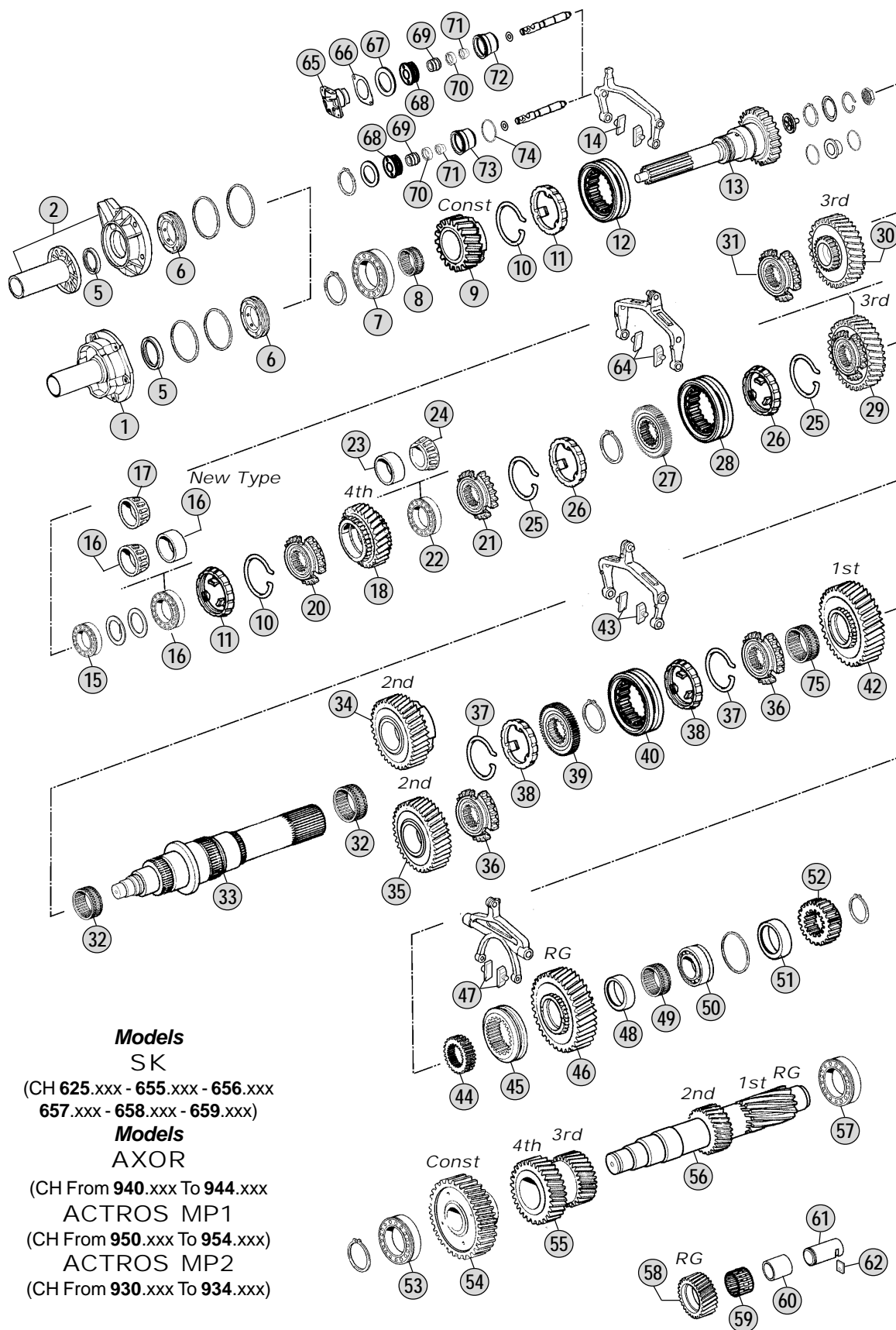
**Models**

GO210 - 8 / 11,8 - 1,00    **714.743(EPS)**



Adattabile a : **MERCEDES**  
 Suitable To :

Modelli Cambio/ Gearbox Models  
**G210 (16 Speeds)**



**Models**

SK

(CH 625.xxx - 655.xxx - 656.xxx  
 657.xxx - 658.xxx - 659.xxx)

**Models**

AXOR

(CH From 940.xxx To 944.xxx  
 ACTROS MP1  
 (CH From 950.xxx To 954.xxx)  
 ACTROS MP2  
 (CH From 930.xxx To 934.xxx)

**Models**

G210 - 16 / 14,2 - 0,83 **715.240(EPS)-241-242-252-253-500-501-504**

Fig.	no.	Rif. MB	Description	Q.ty	Note				
1		389 261 4518	Front Cover	1		●			
2		945 261 1118	Front Cover	1	Latest Models	●			
5		019 997 0547	Oil Seal 56x72x8	1		●			
6		389 261 0865	Diaphragm	1		●			
7		011 981 1305	Bearing 75x140x34,3	1		●			
8		016 981 0010	Needle Cage K89x97x40ZW	1		●			
9		945 262 4110	Constant Gear 32 T	1	(G)	●			
9		945 262 7517	Constant Gear 32 T	1	(H)	●			
10		387 262 1093	Elastic Ring	2		●			
11		389 262 0637	Synchronizer Ring	2	(G)	●			
11		389 262 3137	Synchronizer Ring	2	(G) LONG LIFE	●			
11		947 260 0545	Synchronizer Ring	2	(H)	●			
11		CEI 119300	Synchronizer Ring	2	(H) LONG LIFE	●			
12		945 262 0323	Sliding Sleeve	1	(G)	●			
12		M945 262 0323	Sliding Sleeve	1	(G) LONG LIFE	●			
12		945 262 6823	Sliding Sleeve	1	(H)	●			
12		M945 262 6823	Sliding Sleeve	1	(H) LONG LIFE	●			
13		389 262 6501	Input Shaft	1	715.240-241-242-252-253	●			
13		389 262 8201	Input Shaft	1	715.500-501-504	●			
13		945 262 4703	Input Shaft	1	With NMW Old Gen.	●			
13		945 262 6303	Input Shaft	1	With NMW New Gen.	●			
13		945 262 2482	Input Shaft	1	Special Application	●			
14		947 265 0349	Slide Fork	2	BRASS	●			
14		M947 265 0349	Slide Fork	2	IRON	●			
15		015 981 1605	Bearing 39,65x82,3x41	1		●			
16		011 981 7605	Bearing 50x90x32	1	Oem Assy - Old Type	●			
16		011 981 7605	Bearing 50x90x32	1	A.Market Assy - Old Type	●			
16		015 981 7605	Bearing 50x85x41	1	New - With 244.020	●			
16		002 981 1680	Ring D.90	1	New - With 244.020	●			
17		011 981 6005	Bearing 50x90x32	1	New - With 145.585	●			
17		015 981 7605	Bearing 50x85x41	1	New - With 145.586	●			
18		389 260 8908	Gear 4th Speed 29 T	1	(A)(*)	●			
18		389 262 8610	Gear 4th Speed 29 T	1	(A)	●			
18		945 262 0510	Gear 4th Speed 29 T	1	(B)	●			
20		945 262 4034	Synchronizer Cone	1	(A)	●			
20		945 262 0334	Synchronizer Cone	1	(BG)	●			
20		945 262 3634	Synchronizer Cone	1	(H)	●			
21		945 262 4034	Synchronizer Cone	1	(A)	●			
21		945 262 0534	Synchronizer Cone	1	(BG)	●			
21		945 262 5434	Synchronizer Cone	1	(H)	●			
22		011 981 7705	Bearing 55x90x24	1	Assy - Old Type	●			
23		002 981 1580	Ring D.90	1	New - Only With 244.020	●			
24		CEI 130547	Bearing 55x24	1	New	●			
25		387 262 1093	Elastic Ring	2	(A)	●			
		387 262 0893	Elastic Ring	2	(B)	●			

**Notes**

- (A) Up to gearbox 438701 (B) From gearbox 438702  
 (E) Up to gearbox 313860 - See GP section (table 0265) for the coupling  
 (F) From gearbox 313861 - See GP section (table 0265) for the coupling  
 (G) Up to gearbox 502734 (H) From gearbox 502735  
 (\*)1st Exec. with flanges (fig 20 & 21) Replaced by 1 pc. 389 262 8610 + 2 pcs 389 262 5334

**Date**

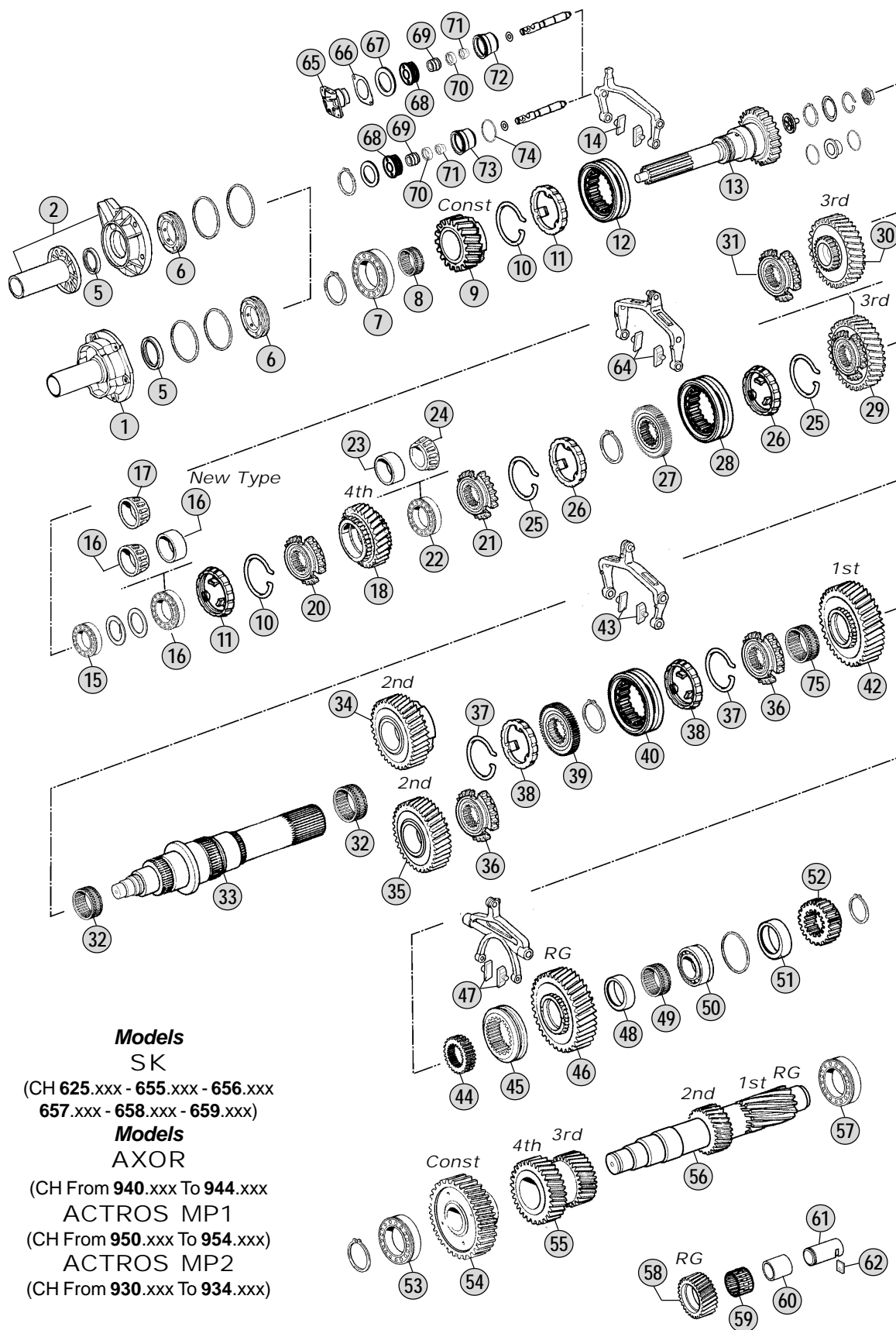
04 / 2011

**Table****0260**



Adattabile a : **MERCEDES**  
 Suitable To :

Modelli Cambio/ Gearbox Models  
**G210 (16 Speeds)**



**Models**

SK

(CH 625.xxx - 655.xxx - 656.xxx  
 657.xxx - 658.xxx - 659.xxx)

**Models**

AXOR

(CH From 940.xxx To 944.xxx  
 ACTROS MP1  
 (CH From 950.xxx To 954.xxx)  
 ACTROS MP2  
 (CH From 930.xxx To 934.xxx)

**Models**

G210 - 16 / 14,2 - 0,83 **715.240(EPS)-241-242-252-253-500-501-504**

Fig.	no.	Rif. MB	Description	Q.ty	Note	G210-16/14.2-0.83				
26		389 262 0637	Synchronizer Ring	2	(A)	●				
26		389 262 3137	Synchronizer Ring	2	(A) LONG LIFE	●				
26		389 262 0737	Synchronizer Ring	2	(BG)	●				
26		389 262 3237	Synchronizer Ring	2	(BG) LONG LIFE	●				
26		946 262 6137	Synchronizer Ring	2	(H)	●				
26		CEI 119299	Synchronizer Ring	2	(H) LONG LIFE	●				
27		389 262 2835	Synchronizer Hub	1	(A)	●				
27		389 262 4735	Synchronizer Hub	1	(B)	●				
28		945 262 0323	Sliding Sleeve	1	(A)	●				
28		M945 262 0323	Sliding Sleeve	1	(A) LONG LIFE	●				
28		945 262 0423	Sliding Sleeve	1	(B)	●				
28		M945 262 0423	Sliding Sleeve	1	(BG) LONG LIFE	●				
28		945 262 6523	Sliding Sleeve	1	(H)	●				
28		M945 262 6523	Sliding Sleeve	1	(H) LONG LIFE	●				
29		389 262 1813	Gear 3rd Speed 34 T	1	(A)	●				
30		945 262 3513	Gear 3rd Speed 34 T	1	(B)	●				
31		945 262 0534	Synchronizer Cone	1	(BG)	●				
31		945 262 5434	Synchronizer Cone	1	(H)	●				
32		018 981 6610	Needle Cage K85x93x53ZWD	2		●				
33		389 262 2405	Main Shaft	1	(A)	●				
33		945 262 3605	Main Shaft	1	(B) Old Bearing	●				
33		945 262 4505	Main Shaft	1	(B) New Bearing	●				
34		389 260 4919	Gear 2nd Speed 39 T	1	Old-Repl.by 1pc.Fig.35+1pc.Fig.36	●				
35		945 262 3112	Gear 2nd Speed 39 T	1		●				
36		945 262 0434	Synchronizer Cone	2	(G)	●				
36		945 262 5534	Synchronizer Cone	2	(H)	●				
37		387 262 0893	Elastic Ring	2		●				
38		389 262 0737	Synchronizer Ring	2	(G)	●				
38		389 262 3237	Synchronizer Ring	2	(G) LONG LIFE	●				
38		946 262 6137	Synchronizer Ring	2	(H)	●				
38		CEI 119299	Synchronizer Ring	2	(H) LONG LIFE	●				
39		389 262 2535	Synchronizer Hub	1		●				
40		945 262 0423	Sliding Sleeve	1	(G)	●				
40		M945 262 0423	Sliding Sleeve	1	(G) LONG LIFE	●				
40		945 262 6523	Sliding Sleeve	1	(H)	●				
40		M945 262 6523	Sliding Sleeve	1	(H) LONG LIFE	●				
42		389 262 2711	Gear 1st Speed 44 T	1		●				
43		947 265 0349	Slide Fork	2	BRASS	●				
43		M947 265 0349	Slide Fork	2	IRON	●				
44		389 262 0135	Synchronizer Hub	1	With 154.224	●				
44		389 262 3935	Synchronizer Hub	1	With 154.223 / Old Type	●				
44		945 262 3835	Synchronizer Hub	1	With 154.223 / New Type	●				
45		389 262 1723	Sliding Sleeve	1		●				
45		389 262 1823	Sliding Sleeve	1		●				
46		945 262 3233	Reverse Gear 40 T	1	With 154.224	●				

**Notes**

(A) Up to gearbox 438701 (B) From gearbox 438702  
 (E) Up to gearbox 313860 - See GP section (table 0265) for the coupling  
 (F) From gearbox 313861 - See GP section (table 0265) for the coupling  
 (G) Up to gearbox 502734 (H) From gearbox 502735  
 (\*)1st Exec. with flanges (fig 20 & 21) Replaced by 1 pc. 389 262 8610 + 2 pcs 389 262 5334

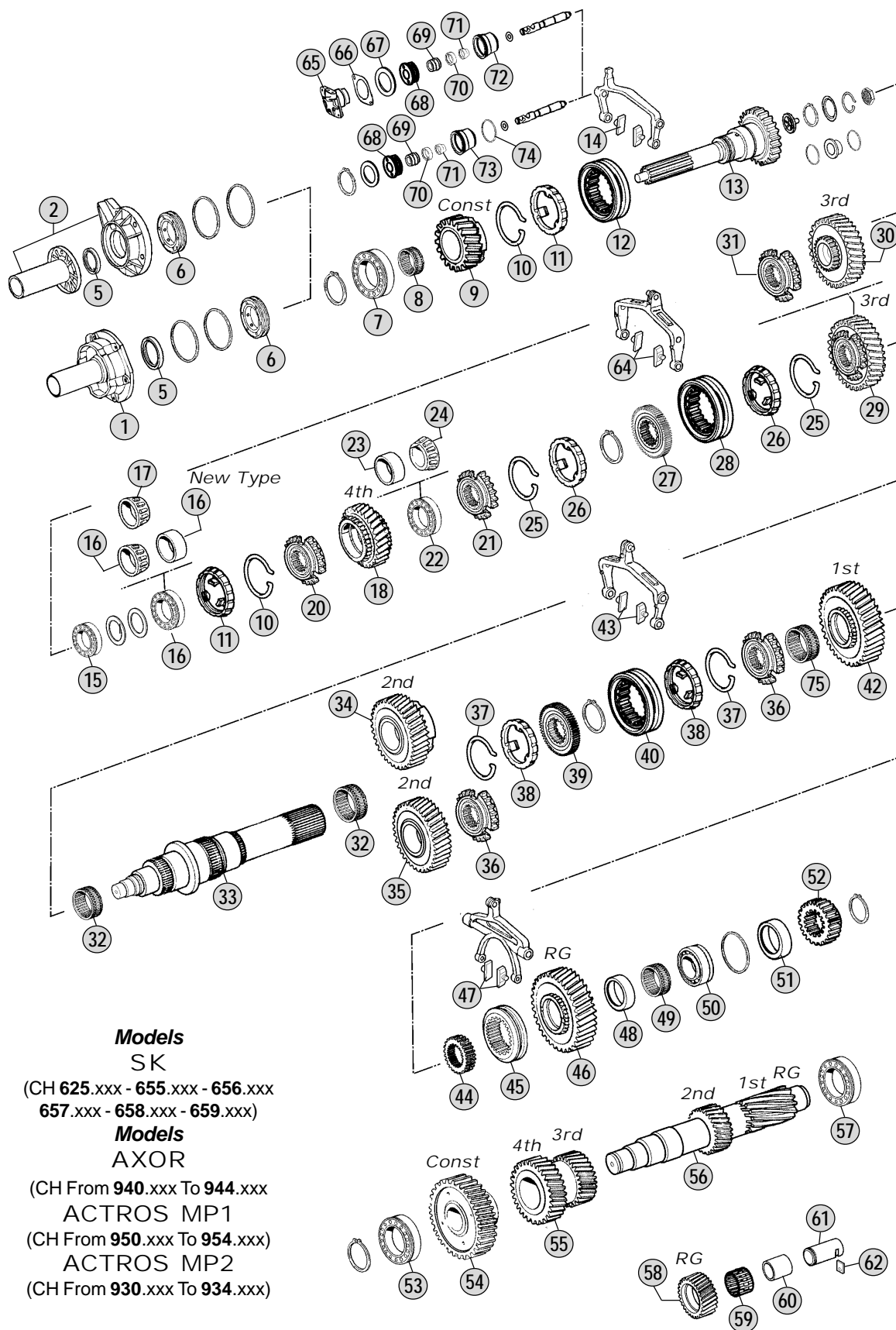
**Date**

04 / 2011

**Table****0260**

Adattabile a : **MERCEDES**  
 Suitable To :

Modelli Cambio/ Gearbox Models  
**G210 (16 Speeds)**



**Models**

SK

(CH 625.xxx - 655.xxx - 656.xxx  
 657.xxx - 658.xxx - 659.xxx)

**Models**

AXOR

(CH From 940.xxx To 944.xxx  
 ACTROS MP1  
 (CH From 950.xxx To 954.xxx)  
 ACTROS MP2  
 (CH From 930.xxx To 934.xxx)

**Models**

G210 - 16 / 14,2 - 0,83 **715.240(EPS)-241-242-252-253-500-501-504**

Fig.	no.	Rif. MB	Description	Q.ty	Note	G210-16/14,2-0,83				
46		389 262 1733	Reverse Gear 40 T	1	With 154.223	●				
46		945 262 3333	Reverse Gear 40 T	1	With 154.223 / Old Type	●				
46		945 262 4433	Reverse Gear 40 T	1	With 154.223 / New Type	●				
47		945 265 0149	Slide Fork	2		●				
48		389 262 2550	Bush	1		●				
49		009 981 1510	Needle Cage K78x86x35ZW	1		●				
50		014 981 6105	Bearing 60x130x30	1		●				
51		389 262 3754	Spacer Th.18(74x60) mm	1		●				
52		389 262 0509	Sun Gear 25 T	1	(E)	●				
52		945 262 0909	Sun Gear 25 T	1	(F)	●				
53		014 981 1405	Bearing 50,8x100x35	1		●				
54		945 263 0810	Constant Gear 31 T	1		●				
55		389 263 1913	Double gear 4th/3rd Sp.-34/27 T	1	(A)	●				
55		945 263 1013	Double Gear 4th/3rd Sp.-34/27 T	1	(B)	●				
56		945 263 2902	Countershaft 21/16 T	1		●				
57		016 981 1205	Bearing 60x130x33,8	1		●				
58		389 263 1031	Reverse Gear 21 T	1		●				
59		012 981 8910	Needle Cage K42x50x51ZW	1		●				
60		389 263 0850	Bush Th.18(74x60) mm	1		●				
61		389 263 0430	Reverse Shaft	1	Old Style	●				
61		976 263 0030	Reverse Shaft	1	New Style	●				
62		389 263 0041	Key	1	Old Style	●				
62		945 263 0041	Key	1	New Style	●				
64		947 265 0349	Slide Fork	2	BRASS	●				
64		M947 265 0349	Slide Fork	2	IRON	●				
65		389 267 2819	Cylinder	1		●				
66		387 263 3352	Gasket Th.0,20 mm	1		●				
66		387 263 3452	Gasket Th.0,40 mm	1		●				
66		387 263 3552	Gasket Th.0,60 mm	1		●				
66		387 263 3752	Gasket Th.1,00 mm	1		●				
67		007 997 4248	O Ring 63x3	1		●				
68		945 267 0218	Piston	1		●				
69		006 997 6447	Oil Seal 41x48x11,5	1		●				
70		387 267 0650	Bush Th.8(34x22) mm	1		●				
71		000 267 0197	Oil Seal 22x32x8	1		●				
72		389 267 3319	Cylinder	1		●				
73		945 267 0619	Cylinder	1		●				
74		022 997 4248	Seal Ring	1		●				
74		016 997 6648	Seal Ring	1		●				
75		008 981 8310	Needle Cage 75x83x55W	1	Old Type With 103.150/103.149	●				
75		018 981 8110	Needle Cage 75x83x48	1	New Type With 103.188	●				

**Notes**

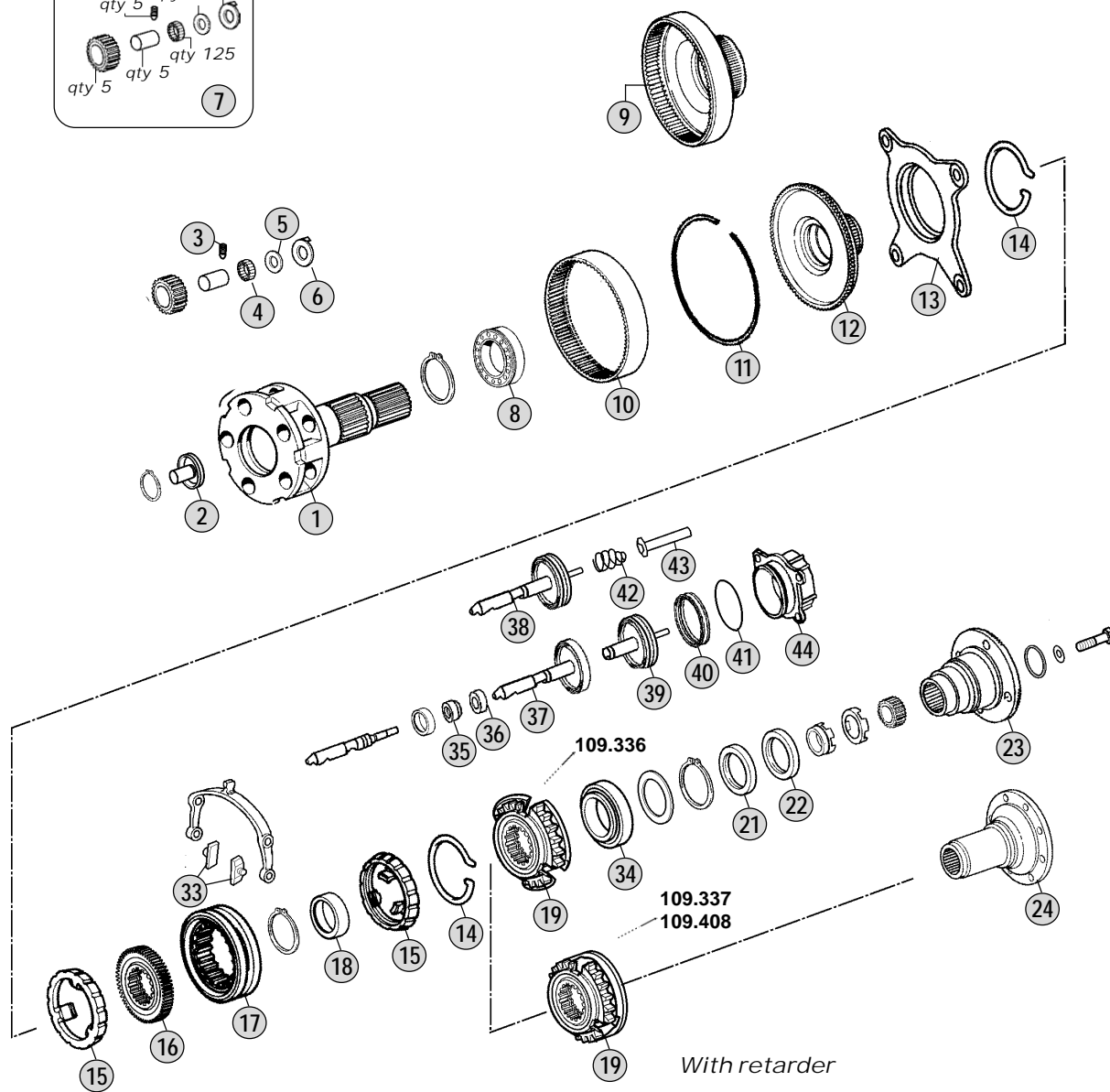
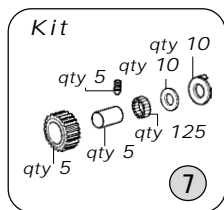
- (A) Up to gearbox 438701 (B) From gearbox 438702  
 (E) Up to gearbox 313860 - See GP section (table 0265) for the coupling  
 (F) From gearbox 313861 - See GP section (table 0265) for the coupling  
 (G) Up to gearbox 502734 (H) From gearbox 502735  
 (\*)1st Exec. with flanges (fig 20 & 21) Replaced by 1 pc. 389 262 8610 + 2 pcs 389 262 5334

**Date**

04 / 2011

**Table****0260**

Adattabile a : **MERCEDES**  
Suitable To :



**Models**

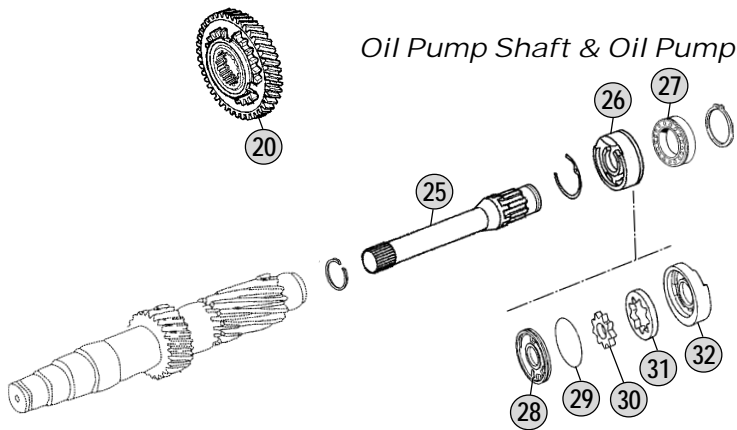
SK

(CH 625.xxx - 655.xxx - 656.xxx  
657.xxx - 658.xxx - 659.xxx)

**Models**

AXOR

(CH From 940.xxx To 944.xxx  
ACTROS MP1  
(CH From 950.xxx To 954.xxx)  
ACTROS MP2  
(CH From 930.xxx To 934.xxx)



**Models**

G210 - 16 / 14,2 - 0,83    **715.240(EPS)-241-242-252-253-500-501-504**



Fig.	no.	Rif. MB	Description	Q.ty	Note	G210-16/14,2-0,83				
1		389 260 8661	Planetary Carrier (Empty)	1	(1)	Empty-Old Type	●			
1		946 260 3661	Planetary Carrier (Empty)	1		Empty	●			
1		945 260 4661	Planetary Carrier (Complete)	1		Complete	●			
2		945 269 0834	Oil Tube	1			●			
3		000914 006109	Stud 6x14 mm	5			●			
4		000 981 4186	Needle 5x39,8	125			●			
5		389 262 0162	Spacer	10			●			
6		389 262 1462	Thrust Washer	10			●			
7		655 260 0097	Repair Kit	1	(E)		●			
7		655 260 0197	Repair Kit	1	(F)		●			
8		008 981 1325	Bearing 90x130x14	1			●			
9		389 262 0608	Crown gear	1	(E)		●			
9		945 262 0108	Crown Gear 85 T D.269 mm	1	(F)	ALT-1 pc.Fig.10+Fig.11+Fig.12	●			
10		389 262 0708	Crown Gear 85 T D.269-H 64mm	1	(F)	ALT-1 pc.Fig.9 (Crown Assy)	●			
10		945 262 0208	Crown Gear 85 T D.269-H 70mm	1	(F)	ALT-1 pc.Fig.9 (Crown Assy)	●			
10		945 262 0808	Crown Gear 85 T D.271-H 70mm	1	(F)	ALT-1 pc.Fig.9 (Crown Assy)	●			
11		389 262 0773	Lock Ring	1			●			
12		389 262 1425	Carrier Hub 85 T	1	(F)	ALT-1 pc.Fig.9 (Crown Assy)	●			
13		389 260 2036	Synchronizer Flange	1	(G)		●			
13		947 260 3036	Synchronizer Flange	1	(H)		●			
14		389 262 0293	Elastic Ring	2			●			
15		389 262 0537	Synchronizer Ring	2	(G)		●			
15		389 262 3337	Synchronizer Ring	2	(G)	LONG LIFE	●			
15		947 260 0945	Synchronizer Ring	2	(H)		●			
15		CEI 119298	Synchronizer Ring	2	(H)	LONG LIFE	●			
16		389 262 2035	Synchronizer Hub	1			●			
17		945 262 6623	Sliding Sleeve	1	(G)		●			
17		M945 262 6623	Sliding Sleeve	1	(G)	LONG LIFE	●			
17		945 262 6923	Sliding Sleeve	1	(H)		●			
17		M945 262 6923	Sliding Sleeve	1	(H)	LONG LIFE	●			
18		389 262 0251	Bush	1			●			
19		389 262 4434	Synchronizer Cone GP	1	(G)		●			
19		389 262 9234	Synchronizer Cone	1	(G)		●			
19		945 262 3834	Synchronizer Cone	1	(H)		●			
20		389 264 0730	Synchronizer Cone W/RET.63 T	1	(G)	With Retarder	●			
20		930 264 0120	Synchronizer Cone W/RET.	1	(G)	With Retarder	●			
20		945 264 0520	Synchronizer Cone W/RET.63 T	1	(H)	With Retarder	●			
20		930 264 0320	Synchronizer Cone W/RET.64 T	1	(H)	With Retarder	●			
21		013 997 7247	Oil Seal 95x115x13	1			●			
21		013 997 7347	Oil Seal 95x115x13	1		For Model with VOITH Retarder	●			
21		015 997 6447	Oil Seal	1		For Model with TELMA Retarder	●			
22		013 997 7347	Oil Seal 95x115x13	1			●			
22		017 997 1247	Oil Seal	1		For Model with TELMA Retarder	●			
23		945 262 0045	Output Flange D.180 mm	1			●			
23		930 262 0045	Output Flange D.180 mm	1			●			

**Notes**

(E) Up to gearbox 313860 - See Sun gear (table 0260) for the coupling  
(F) From gearbox 313861 - See Sun gear (table 0260) for the coupling  
(G) Up to gearbox 36686 (H) From gearbox 36687  
(1) Old Type Planet carrier uses old bearing type.  
The old type is replaced by : 1 pc 945 260 4461 + 1 pc 008 981 3025

**Date**

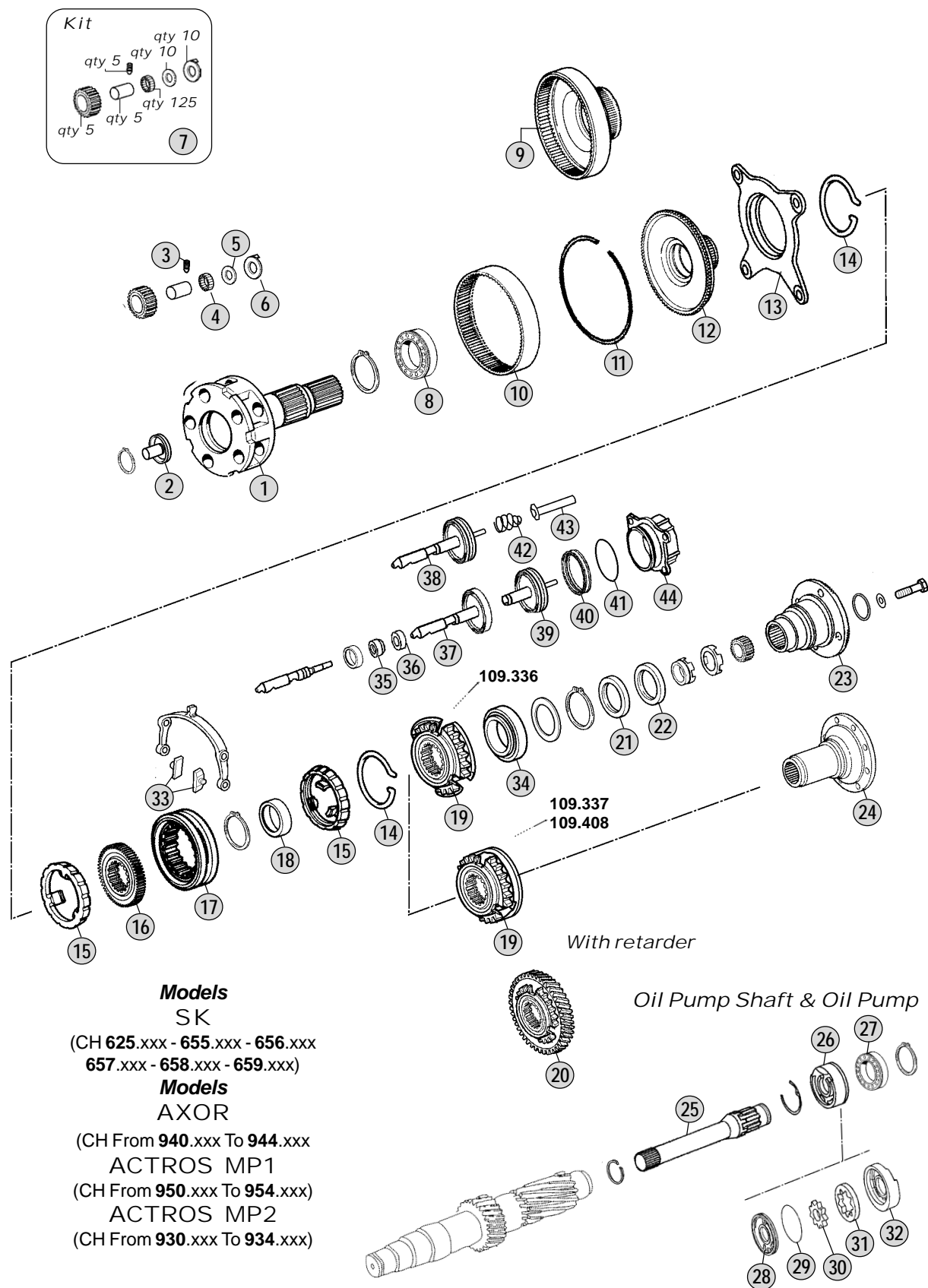
04 / 2011

**Table****0265**



Adattabile a : **MERCEDES**  
 Suitable To :

Modelli Cambio/ Gearbox Models  
**G210 (16 Speeds)**



**Models**

G210 - 16 / 14,2 - 0,83    **715.240(EPS)-241-242-252-253-500-501-504**

Fig. no.	Rif. MB	Description	Q.ty	Note	G210-16/14,2-0,83				
23	389 262 0645	Output Flange D.200 mm	1		●				
23	930 262 0145	Output Flange D.200 mm	1		●				
23	389 262 0545	Output Flange D.180 mm	1	For Model with VOITH Retarder	●				
23	389 262 0945	Output Flange D.200 mm	1	For Model with VOITH Retarder	●				
24	930 262 0245	Output Flange D.180 mm	1	For Model with TELMA Retarder	●				
24	387 264 1945	Output Flange D.198 mm	1	For Model with TELMA Retarder	●				
24	387 264 2045	Output Flange D.198 mm	1	For Model with TELMA Retarder	●				
24	945 262 0445	Output Flange D.200 mm	1	For Model with TELMA Retarder	●				
24	945 262 0545	Output Flange D.200 mm	1	For Model with TELMA Retarder	●				
25	389 269 1210	Oil Pump Shaft	1		●				
25	947 269 1010	Oil Pump Shaft	1		●				
25	947 269 1110	Oil Pump Shaft	1		●				
26	389 260 0690	Oil Pump	1	Old Type-Assembly	●				
27	004 981 9225	Bearing 45x75x16	1	With 101.123	●				
27	008 981 5425	Bearing	1	With 101.168/101.169	●				
28	389 269 2601	Oil Pump Cover	1	New Type-Disassembled	●				
29	029 997 5748	O Ring	1	New Type-Disassembled	●				
30	389 269 1406	Oil Pump Gear	1	New Type-Disassembled	●				
31	389 269 0706	Oil Pump Hub	1	New Type-Disassembled	●				
32	947 269 1001	Oil Pump Housing	1	New Type-Disassembled	●				
33	389 265 2449	Slide Fork	2	(A) BRASS	●				
33	M389 265 2449	Slide Fork	2	(A) IRON	●				
33	947 265 0349	Slide Fork	2	(B) BRASS	●				
33	M947 265 0349	Slide Fork	2	(B) IRON	●				
34	004 981 9325	Bearing 85x150x28	1	(1) Old Type	●				
34	008 981 3025	Bearing 80x150x28	1		●				
34	007 981 8201	Bearing	1	For Model with TELMA Retarder	●				
35	000 267 0197	Oil Seal 22x32x8	1		●				
36	387 267 0650	Bush Th.8(34x22) mm	1		●				
37	930 260 2789	Cylinder	1		●				
37	930 260 2889	Cylinder	1		●				
38	945 267 2117	Cylinder	1		●				
38	930 260 2389	Cylinder	1		●				
39	389 267 1018	Cylinder	1		●				
40	024 997 8347	Oil Seal 77x90x17	1		●				
41	017 997 6545	Oil Seal	1		●				
41	020 997 8948	O Ring 3,0x89,5	1		●				
42	008 993 0801	Spring	1		●				
42	000 993 6705	Spring	1		●				
43	000 543 5785	Oil Tube	1		●				
43	000 543 5485	Oil Tube	1		●				
44	945 267 1119	Cylinder	1		●				
44	945 267 1319	Cylinder	1		●				
44	001 260 4963	Cylinder	1		●				
44	001 260 8463	Cylinder	1		●				

**Notes**

- (E) Up to gearbox 313860 - See Sun gear (table 0260) for the coupling  
(F) From gearbox 313861 - See Sun gear (table 0260) for the coupling  
(G) Up to gearbox 36686 (H) From gearbox 36687  
(1) Old Type Planet carrier uses old bearing type.  
The old type is replaced by : 1 pc 945 260 4461 + 1 pc 008 981 3025

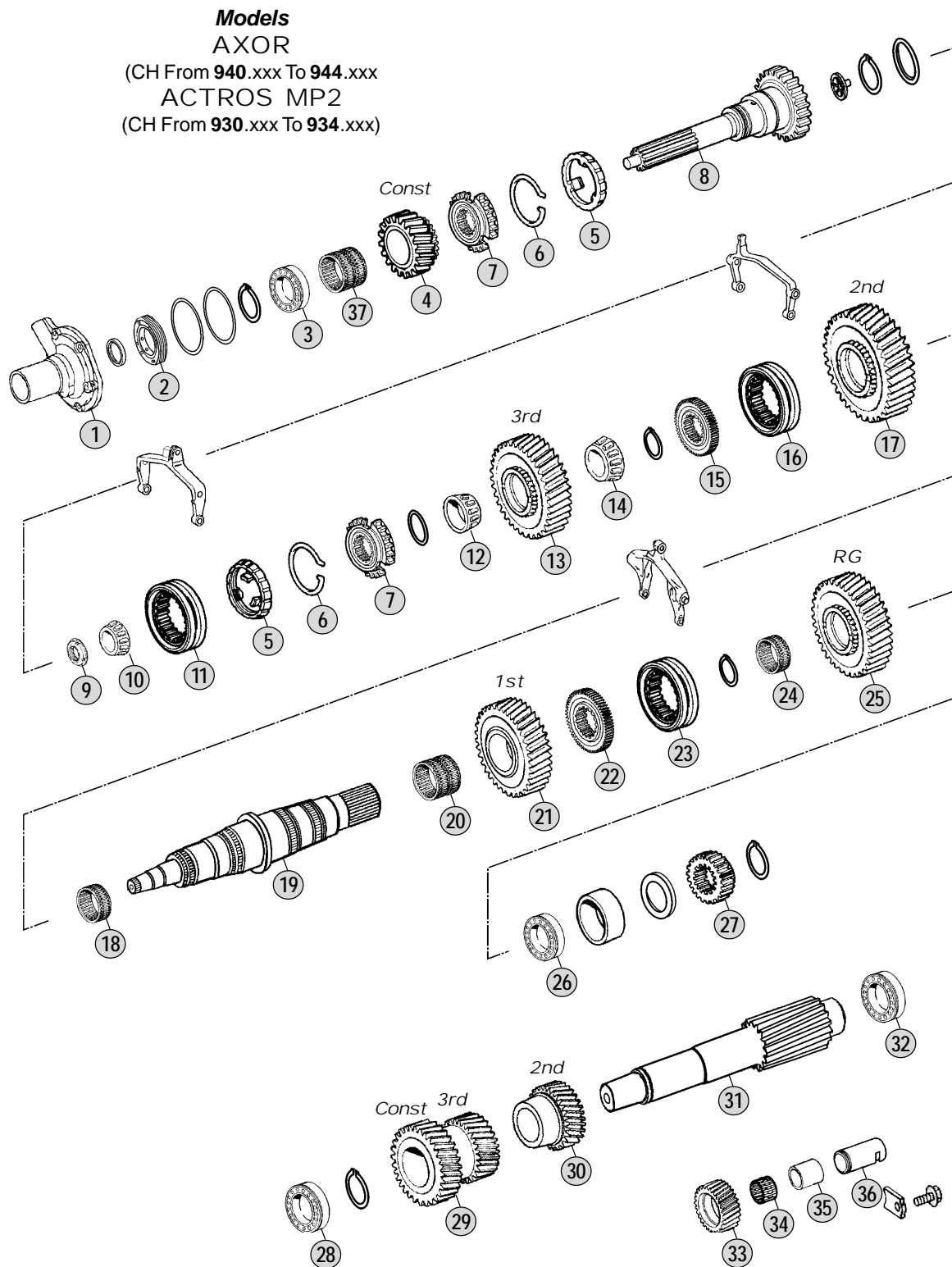
**Date**

04 / 2011

**Table****0265**16 Speeds  
G210

Adattabile a : **MERCEDES**  
 Suitable To :

Modelli Cambio/ Gearbox Models  
**G211 (12 Speeds)**



**Models**

G211 - 12 715.510-516

Fig.	no.	Rif. MB	Description	Q.ty	Note	G211-12				
1		947 261 0818	Front Cover	1		●				
2		389 261 0865	Diaphragm	1		●				
3		011 981 1305	Bearing 75x140x34,3	1		●				
4		947 262 5210	Constant Gear 29 T	1		●				
5		947 260 0545	Synchronizer Ring	2		●				
5		CEI 119300	Synchronizer Ring	2	LONG LIFE	●				
6		387 262 1093	Elastic Ring	2		●				
7		945 262 3634	Synchronizer Cone	2		●				
8		947 262 3202	Input Shaft	1		●				
9		945 990 0250	Nut M30x1,5	1		●				
10		014 981 1905	Bearing 39,6x77,7x40	1		●				
11		945 262 6823	Sliding Sleeve	1		●				
11		M945 262 6823	Sliding Sleeve	1	LONG LIFE	●				
12		015 981 7605	Bearing 50x85x41	1		●				
13		947 262 0117	Gear 3rd Speed 34 T	1		●				
14		015 981 1605	Bearing 39,65x82,3x41	1		●				
15		947 262 1435	Synchronizer Hub	1		●				
16		947 262 1123	Sliding Sleeve	1		●				
17		947 262 2012	Gear 2nd Speed 38 T	1		●				
18		008 981 8310	Needle Cage 75x83x55W	1		●				
19		947 262 1705	Main Shaft	1		●				
20		021 981 5710	Needle Cage 75x83x33W	1		●				
21		947 262 5310	Gear 1st Speed 41 T	1		●				
22		947 262 1435	Synchronizer Hub	1		●				
23		947 262 1123	Sliding Sleeve	1		●				
24		022 981 2310	Needle Cage	1		●				
25		947 262 1933	Reverse Gear 41 T	1		●				
26		016 981 7881	Bearing	1		●				
27		947 262 1209	Sun Gear 25 T	1	Old Type	●				
27		947 262 1609	Sun Gear 25 T	1	New Type	●				
28		014 981 1405	Bearing 50,8x100x35	1		●				
29		947 263 2910	Double Gear 33/36 T	1		●				
30		947 263 0312	Gear 2nd Speed 23 T	1		●				
31		947 263 2402	Countershaft 15 T	1		●				
32		002 981 7781	Bearing	1		●				
33		947 263 1431	Reverse Gear 19 T	1		●				
34		021 981 5610	Needle Cage	1		●				
35		947 263 0050	Bush	1		●				
36		976 263 0030	Reverse Shaft	1		●				
37		022 981 2010	Needle Cage	1		●				

Notes

Date

04 / 2011

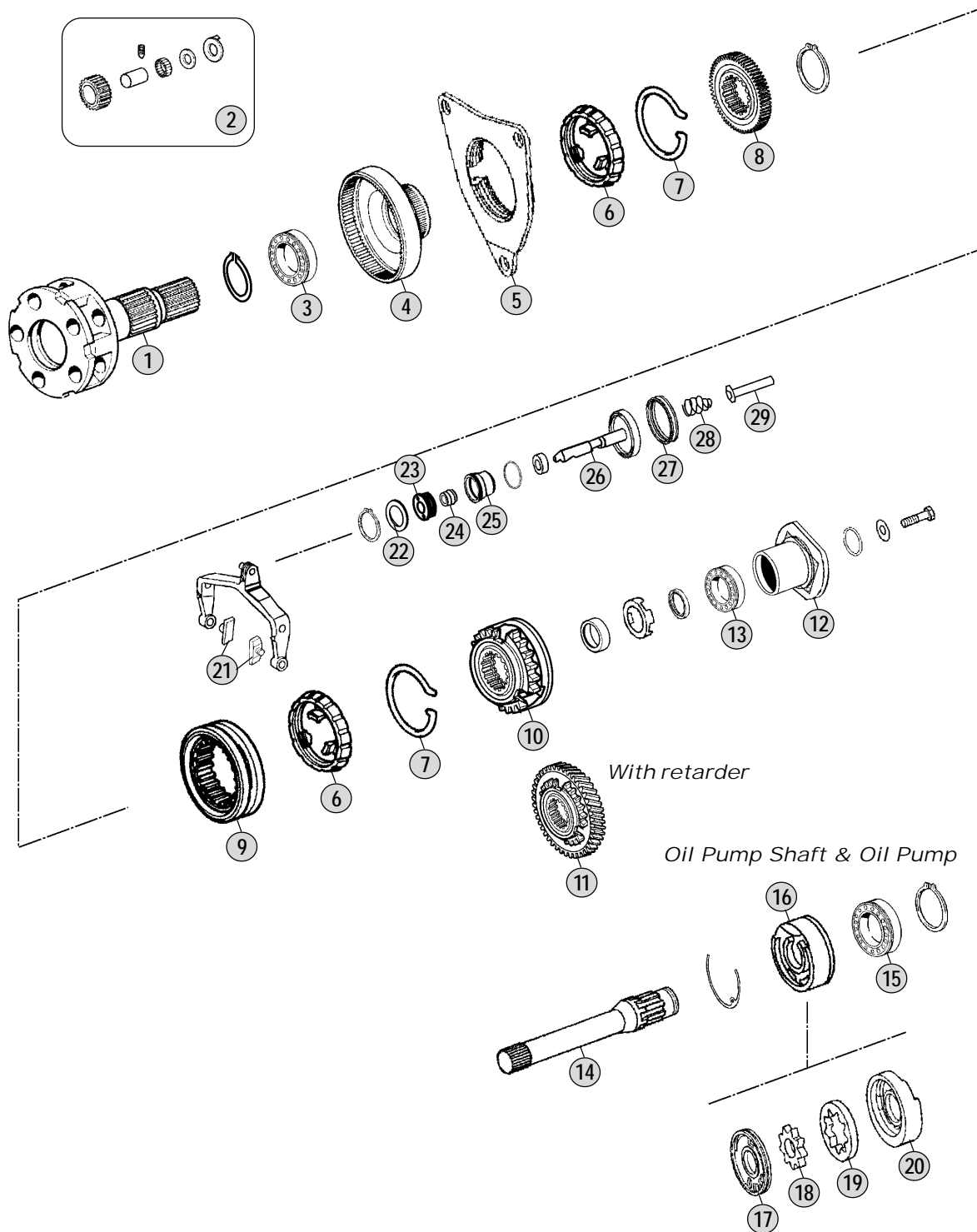
Table

**0270**

Adattabile a : **MERCEDES**  
 Suitable To :

Modelli Cambio/ Gearbox Models  
**G211 (12 Speeds)**

**Models**  
 AXOR  
 (CH From 940.xxx To 944.xxx)  
 ACTROS MP2  
 (CH From 930.xxx To 934.xxx)



**Models**

G211 - 12 715.510-516





Adattabile a : **MERCEDES**

Suitable To :

Modelli Cambio/ Gearbox Models

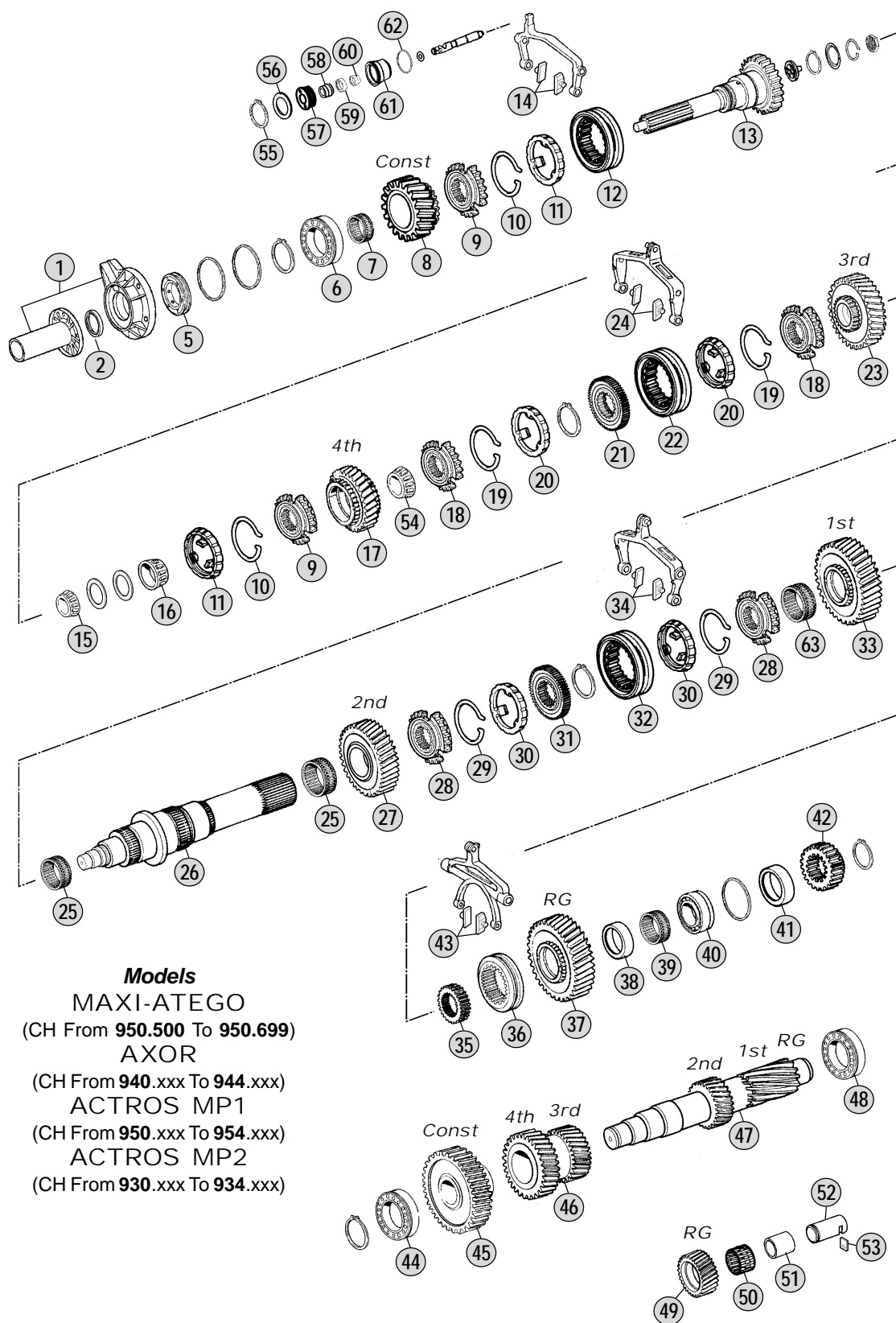
**G211 (16 Speeds)****Models****MAXI-ATEGO**(CH From **950.500** To **950.699**)**AXOR**(CH From **940.xxx** To **944.xxx**)**ACTROS MP1**(CH From **950.xxx** To **954.xxx**)**ACTROS MP2**(CH From **930.xxx** To **934.xxx**)**Models**G211 - 16 / 17,03 - 1,00 **715.510-516**

Fig.	no.	Rif. MB	Description	Q.ty	Note	G211-16/17,3-1,00				
1		945 261 1118	Front Cover	1		●				
2		019 997 0547	Oil Seal 56x72x8	1		●				
5		389 261 0865	Diaphragm	1		●				
6		011 981 1305	Bearing 75x140x34,3	1		●				
7		018 981 6410	Needle Cage 84x90x39,5	1		●				
8		945 262 4410	Constant Gear 27 T	1		●				
9		945 262 0334	Synchronizer Cone	2	(A)	●				
9		945 262 3634	Synchronizer Cone	2	(B)	●				
10		387 262 1093	Elastic Ring	2		●				
11		389 262 0637	Synchronizer Ring	2	(A)	●				
11		389 262 3137	Synchronizer Ring	2	(A) LONG LIFE	●				
11		947 260 0545	Synchronizer Ring	2	(B)	●				
11		CEI 119300	Synchronizer Ring	2	(B) LONG LIFE	●				
12		945 262 0323	Sliding Sleeve	1	(A)	●				
12		M945 262 0323	Sliding Sleeve	1	(A) LONG LIFE	●				
12		945 262 6823	Sliding Sleeve	1	(B)	●				
12		M945 262 6823	Sliding Sleeve	1	(B) LONG LIFE	●				
13		945 262 3201	Input Shaft	1		●				
13		945 262 6701	Input Shaft	1		●				
13		945 262 1901	Input Shaft	1	Old Type-With NMV	●				
13		389 262 7901	Input Shaft	1	Old Type-With NMV	●				
13		945 262 6003	Input Shaft	1	New Type-With NMV	●				
13		945 262 5401	Input Shaft	1	Old Type-With NMV	●				
13		945 262 5703	Input Shaft	1	New Type-With NMV	●				
14		947 265 0349	Slide Fork	2	BRASS	●				
14		M947 265 0349	Slide Fork	2	IRON	●				
15		014 981 1905	Bearing 39,6x77,7x40	1		●				
16		015 981 7605	Bearing 50x85x41	1		●				
17		945 262 0510	Gear 4th Speed 29 T	1	Shot Peened Treatment	●				
17		945 262 2310	Gear 4th Speed 29 T	1	Shot Blasted Treatment	●				
18		945 262 0534	Synchronizer Cone	2	(A)	●				
18		945 262 5434	Synchronizer Cone	2	(B)	●				
19		387 262 0893	Elastic Ring	2		●				
20		389 262 0737	Synchronizer Ring	2	(A)	●				
20		389 262 3237	Synchronizer Ring	2	(A) LONG LIFE	●				
20		946 262 6137	Synchronizer Ring	2	(B)	●				
20		CEI 119299	Synchronizer Ring	2	(B) LONG LIFE	●				
21		389 262 4735	Synchronizer Hub	1		●				
22		945 262 0423	Sliding Sleeve	1	(A)	●				
22		M945 262 0423	Sliding Sleeve	1	(A) LONG LIFE	●				
22		945 262 6523	Sliding Sleeve	1	(B)	●				
22		M945 262 6523	Sliding Sleeve	1	(B) LONG LIFE	●				
23		945 262 3513	Gear 3rd Speed 34 T	1		●				
24		947 265 0349	Slide Fork	2	BRASS	●				
24		M947 265 0349	Slide Fork	2	IRON	●				

**Notes**

(A) Up to gearbox 502735  
 (B) From gearbox 502736

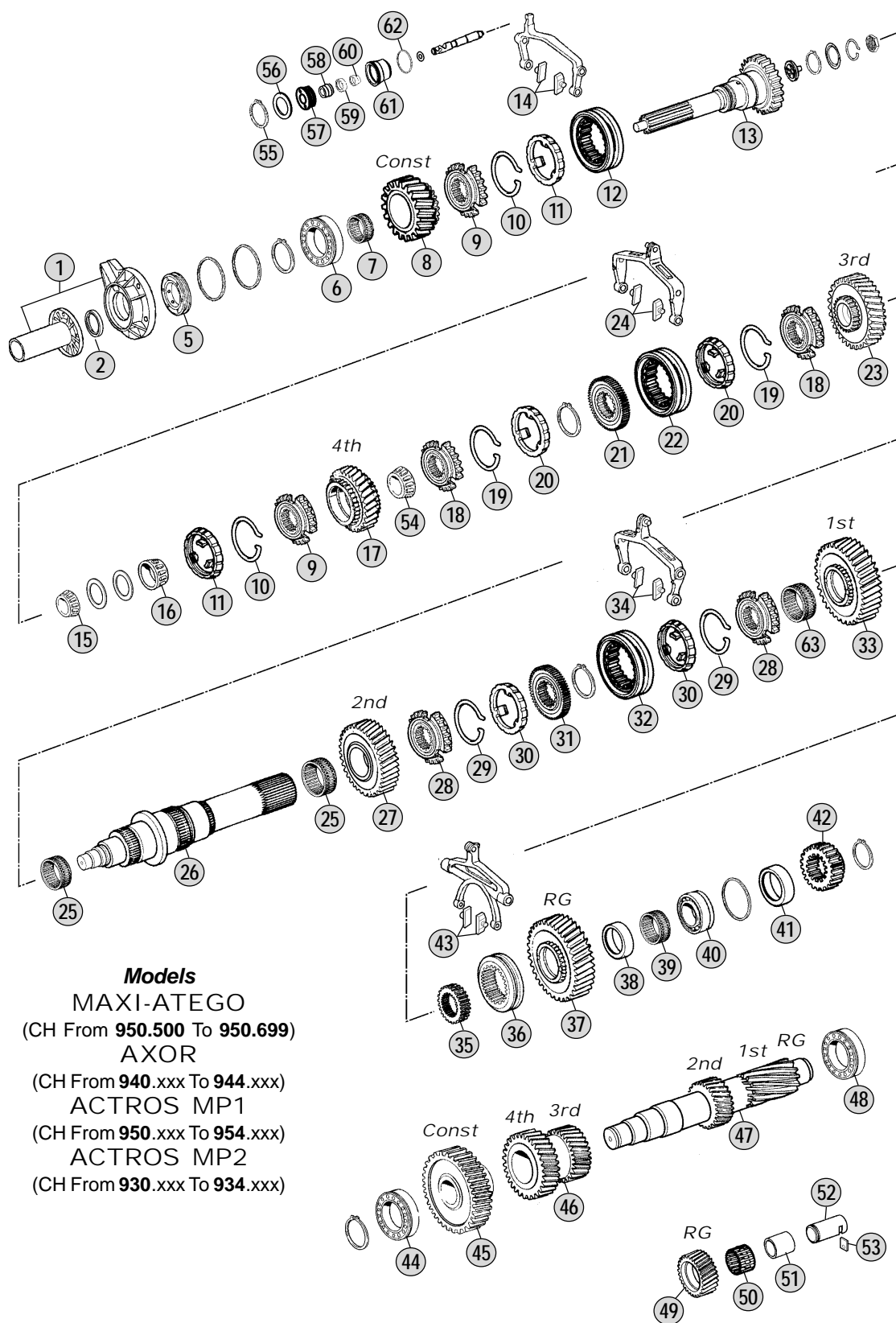
**Date**

04/ 2011

**Table****0280**

Adattabile a : **MERCEDES**  
 Suitable To :

Modelli Cambio/ Gearbox Models  
**G211 (16 Speeds)**



**Models**  
**MAXI-ATEGO**  
 (CH From 950.500 To 950.699)  
**AXOR**  
 (CH From 940.xxx To 944.xxx)  
**ACTROS MP1**  
 (CH From 950.xxx To 954.xxx)  
**ACTROS MP2**  
 (CH From 930.xxx To 934.xxx)

**Models**

G211 - 16 / 17,03 - 1,00 **715.510-516**

Fig.	no.	Rif. MB	Description	Q.ty	Note	G211-16/17,3-1,00				
25		018 981 6610	Needle Cage K85x93x53ZWD	2		●				
26		945 262 3605	Main Shaft	1	Old Bearing	●				
26		945 262 4505	Main Shaft	1	New Bearing	●				
27		945 262 3112	Gear 2nd Speed 39 T	1		●				
28		945 262 0434	Synchronizer Cone	2	(A)	●				
28		945 262 5534	Synchronizer Cone	2	(B)	●				
29		387 262 0893	Elastic Ring	2		●				
30		389 262 0737	Synchronizer Ring	2	(A)	●				
30		389 262 3237	Synchronizer Ring	2	(A) LONG LIFE	●				
30		946 262 6137	Synchronizer Ring	2	(B)	●				
30		CEI 119299	Synchronizer Ring	2	(B) LONG LIFE	●				
31		389 262 2535	Synchronizer Hub	1		●				
32		945 262 0423	Sliding Sleeve	1	(A)	●				
32		M945 262 0423	Sliding Sleeve	1	(A) LONG LIFE	●				
32		945 262 6523	Sliding Sleeve	1	(B)	●				
32		M945 262 6523	Sliding Sleeve	1	(B) LONG LIFE	●				
33		389 262 2711	Gear 1st Speed 44 T	1		●				
34		947 265 0349	Slide Fork	2	BRASS	●				
34		947 265 0349	Slide Fork	2	IRON	●				
35		389 262 0135	Synchronizer Hub	1	With 154.224	●				
35		389 262 3935	Synchronizer Hub	1	With 154.223 / Old Type	●				
35		945 262 3835	Synchronizer Hub	1	With 154.223 / New Type	●				
36		389 262 1723	Sliding Sleeve	1		●				
36		389 262 1823	Sliding Sleeve	1		●				
37		945 262 3233	Reverse Gear 40 T	1	With 154.224	●				
37		945 262 3333	Reverse Gear 40 T	1	With 154.223 / Old Type	●				
37		945 262 4433	Reverse Gear 40 T	1	With 154.223 / New Type	●				
38		389 262 2550	Bush	1		●				
39		009 981 1510	Needle Cage K78x86x35ZW	1		●				
40		014 981 6105	Bearing 60x130x30	1		●				
41		389 262 3754	Spacer Th.18(74x60) mm	1		●				
42		945 262 0909	Sun Gear 25 T	1		●				
43		945 265 0149	Slide Fork	2		●				
44		014 981 1405	Bearing 50,8x100x35	1		●				
45		945 263 1110	Constant Gear 38 T	1		●				
46		945 263 1013	Double Gear 4th/3rd Sp.-34/27 T	1		●				
47		945 263 2902	Countershaft 21/16 T	1		●				
48		016 981 1205	Bearing 60x130x33,8	1		●				
49		389 263 1031	Reverse Gear 21 T	1		●				
50		012 981 8910	Needle Cage K42x50x51ZW	1		●				
51		389 263 0850	Bush Th.18(74x60) mm	1		●				
52		976 263 0030	Reverse Shaft	1		●				
53		945 263 0041	Key	1		●				
54		CEI 130547	Bearing 55x24	1		●				
55		006 994 4241	Lock Ring	1		●				

Notes

(A) Up to gearbox 502735  
 (B) From gearbox 502736

Date

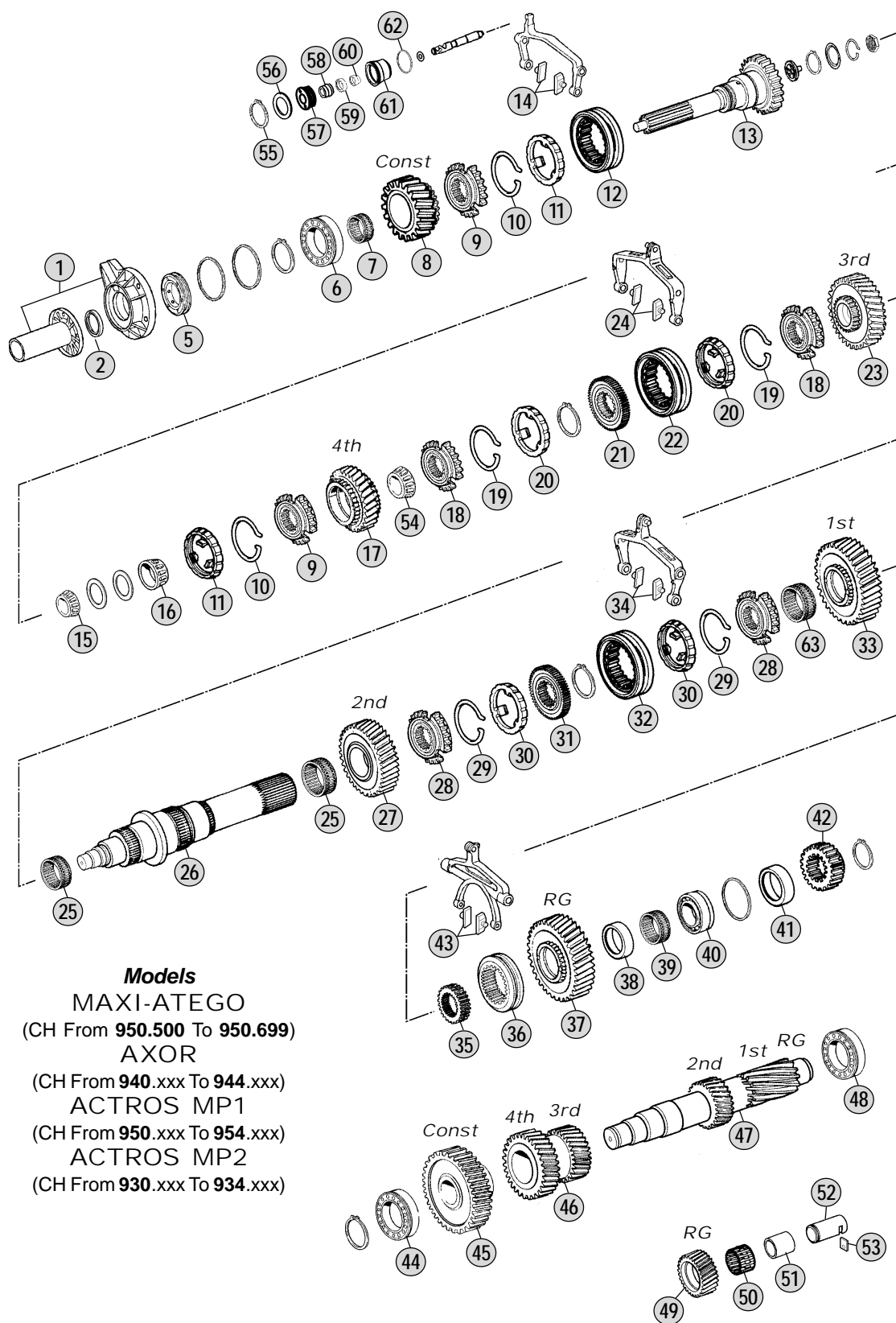
04 / 2011

Table**0280**16 Speeds  
G211

Adattabile a : **MERCEDES**

Suitable To :

Modelli Cambio/ Gearbox Models

**G211 (16 Speeds)****Models**

MAXI-ATEGO

(CH From 950.500 To 950.699)

AXOR

(CH From 940.xxx To 944.xxx)

ACTROS MP1

(CH From 950.xxx To 954.xxx)

ACTROS MP2

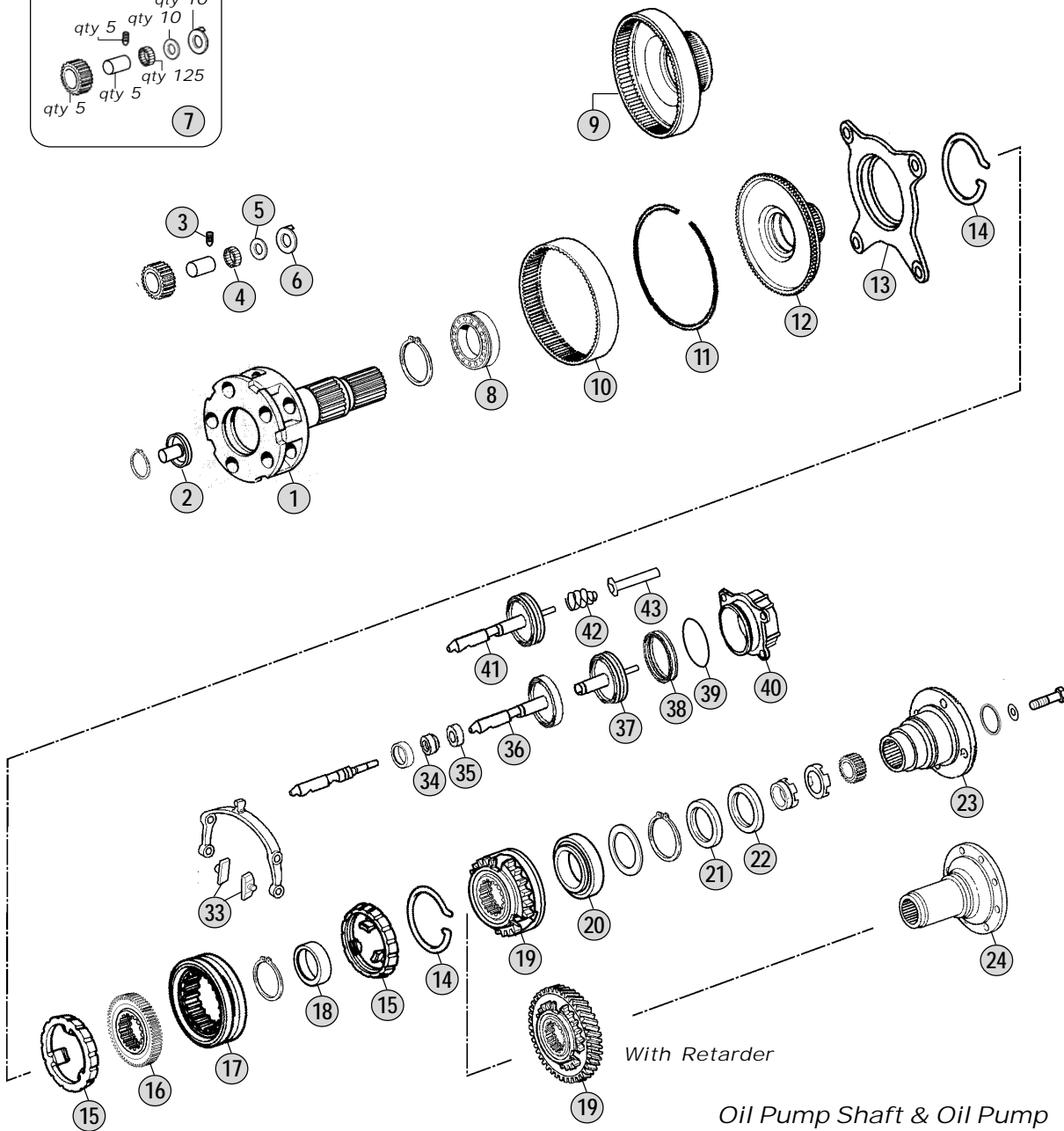
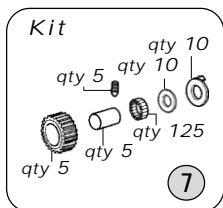
(CH From 930.xxx To 934.xxx)

**Models**G211 - 16 / 17,03 - 1,00 **715.510-516**





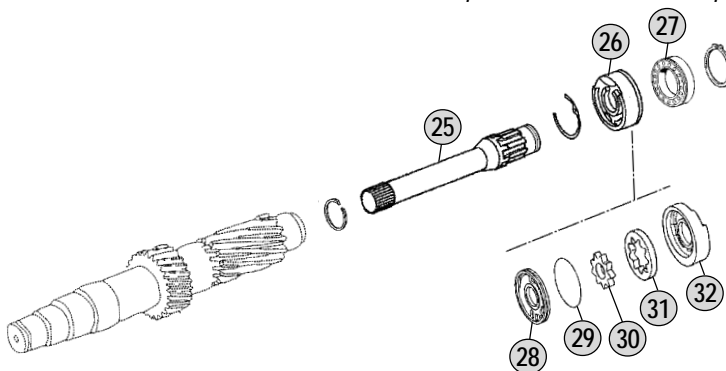
Adattabile a : **MERCEDES**  
Suitable To :



With Retarder

Oil Pump Shaft & Oil Pump

- Models**
- MAXI-ATEGO  
(CH From 950.500 To 950.699)
  - AXOR  
(CH From 940.xxx To 944.xxx)
  - ACTROS MP1  
(CH From 950.xxx To 954.xxx)
  - ACTROS MP2  
(CH From 930.xxx To 934.xxx)



**Models**

G211 - 16 / 17,03 - 1,00 715.510-516

Fig.	no.	Rif. MB	Description	Q.ty	Note	G211-16/17,3-1,00				
1		946 260 3661	Planetary Carrier (Empty)	1	Empty	●				
1		945 260 4661	Planetary Carrier (Complete)	1	Complete	●				
2		945 269 0834	Oil Tube	1		●				
3		000914 006109	Stud 6x14 mm	5		●				
4		000 981 4186	Needle 5x39,8	125		●				
5		389 262 0162	Spacer	10		●				
6		389 262 1462	Thrust Washer	10		●				
7		655 260 0197	Repair Kit	1		●				
8		008 981 1325	Bearing 90x130x14	1		●				
9		945 262 0108	Crown Gear 85 T D.269 mm	1	ALT-1 pc.Fig.10+Fig.11+Fig.12	●				
10		945 262 0208	Crown Gear 85 T D.269-H 70mm	1	ALT-1 pc.Fig.9 (Crown Assy)	●				
10		945 262 0808	Crown Gear 85 T D.271-H 70mm	1	ALT-1 pc.Fig.9 (Crown Assy)	●				
11		389 262 0773	Lock Ring	1		●				
12		389 262 1425	Carrier Hub 85 T	1	ALT_1 pc.Fig.9 (Crown Assy)	●				
13		389 260 2036	Synchronizer Flange	1	(A)	●				
13		947 260 3036	Synchronizer Flange	1	(B)	●				
14		389 262 0293	Elastic Ring	2		●				
15		389 262 0537	Synchronizer Ring	2	(A)	●				
15		389 262 3337	Synchronizer Ring	2	(A) LONG LIFE	●				
15		947 260 0945	Synchronizer Ring	2	(B)	●				
15		CEI 119298	Synchronizer Ring	2	(B) LONG LIFE	●				
16		389 262 2035	Synchronizer Hub	1		●				
17		945 262 6623	Sliding Sleeve	1	(A)	●				
17		M945 262 6623	Sliding Sleeve	1	(A) LONG LIFE	●				
17		945 262 6923	Sliding Sleeve	1	(B)	●				
17		M945 262 6923	Sliding Sleeve	1	(B) LONG LIFE	●				
18		389 262 0251	Bush	1		●				
19		389 262 9234	Synchronizer Cone	1	(A)	●				
19		945 262 3834	Synchronizer Cone	1	(B)	●				
19		389 264 0730	Synchronizer Cone W/RET.63 T	1	(A) With Retarder	●				
19		930 264 0120	Synchronizer Cone W/RET.	1	(A) With Retarder	●				
19		945 264 0520	Synchronizer Cone W/RET.63 T	1	(B) With etarder	●				
19		930 264 0320	Gear W/RET. 64 T	1	(B) With Retarder	●				
20		008 981 3025	Bearing 80x150x28	1		●				
20		007 981 8201	Bearing	1	For Model with TELMA Retarder	●				
21		013 997 7247	Oil Seal 95x115x13	1		●				
21		013 997 7347	Oil Seal 95x115x13	1	For Model with VOITH Retarder	●				
21		015 997 6447	Oil Seal	1	For Model with TELMA Retarder	●				
22		013 997 7347	Oil Seal 95x115x13	1		●				
22		017 997 1247	Oil Seal	1	For Model with TELMA Retarder	●				
23		945 262 0045	Output Flange D.180 mm	1		●				
23		930 262 0045	Output Flange D.180 mm	1		●				
23		389 262 0645	Output Flange D.200 mm	1		●				
23		389 262 0645	Output Flange D.200 mm	1		●				
23		930 262 0145	Output Flange D.200 mm	1		●				

## Notes

(A) Up to gearbox 366886  
 (B) From gearbox 366887

## Date

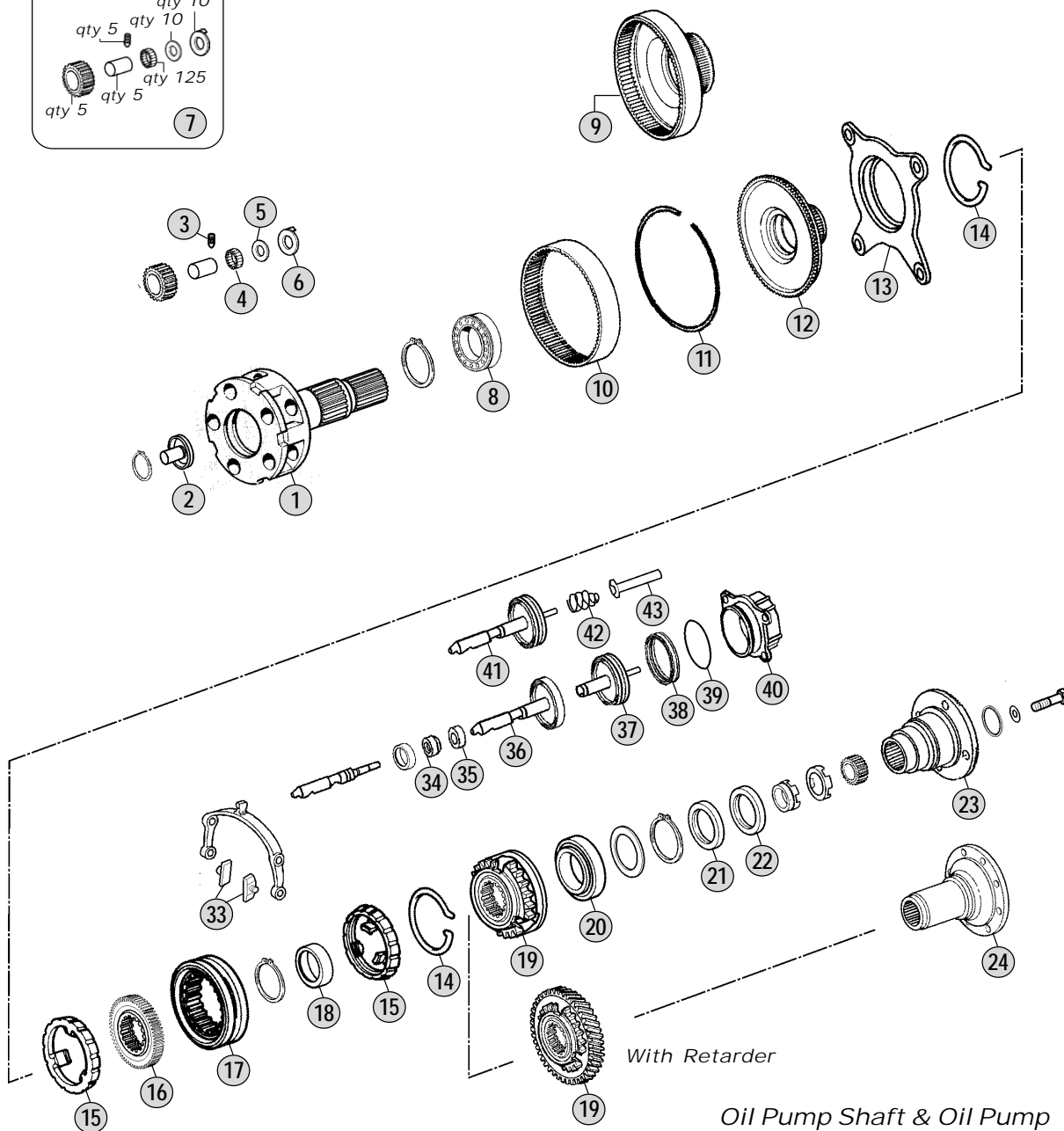
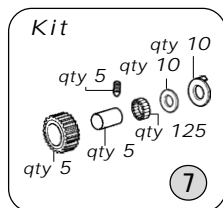
04 / 2011

## Table

0285

Adattabile a : **MERCEDES**  
 Suitable To :

Modelli Cambio/ Gearbox Models  
**G211 (16 Speeds)**



**Models**

MAXI-ATEGO  
 (CH From 950.500 To 950.699)  
 AXOR  
 (CH From 940.xxx To 944.xxx)  
 ACTROS MP1  
 (CH From 950.xxx To 954.xxx)  
 ACTROS MP2  
 (CH From 930.xxx To 934.xxx)

**Models**

G211 - 16 / 17,03 - 1,00 **715.510-516**



Adattabile a : **MERCEDES**  
 Suitable To :

Modelli Cambio/ Gearbox Models  
**G221 (9 Speeds)**

**Models**

**AXOR**

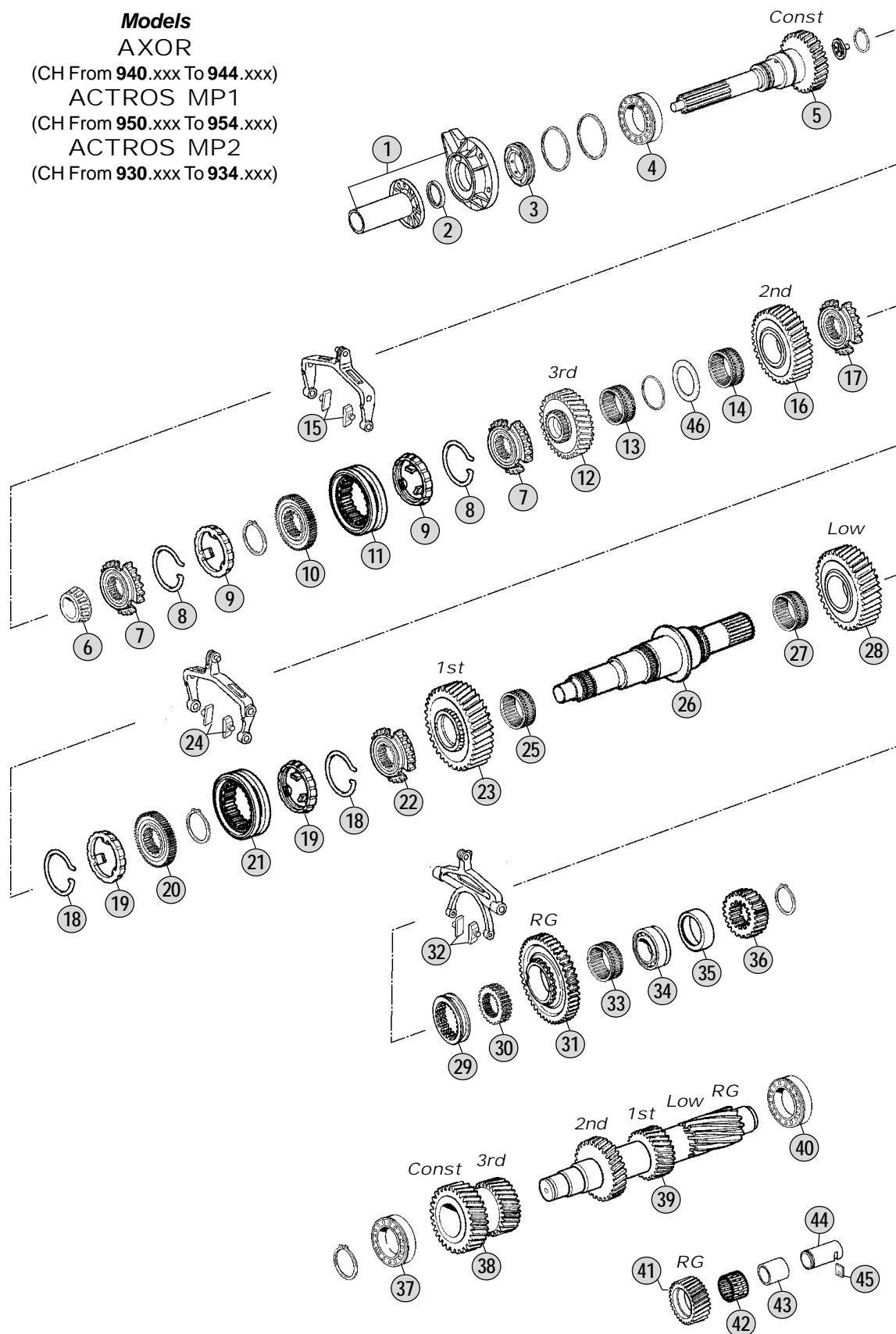
(CH From **940.xxx** To **944.xxx**)

**ACTROS MP1**

(CH From **950.xxx** To **954.xxx**)

**ACTROS MP2**

(CH From **930.xxx** To **934.xxx**)



**Models**

G221 - 9 / 10,19-1,0 **715.560-561-564**

Fig.	no.	Rif. MB	Description	Q.ty	Note	G22-19/10,19-1,0				
1		945 261 1118	Front Cover	1		●				
1		945 261 2518	Front Cover	1		●				
2		024 997 3047	Seal Ring 52x68x8 mm	1		●				
3		389 261 0865	Diaphragm	1		●				
4		011 981 1305	Bearing 75x140x34,3	1		●				
5		945 262 1602	Input Shaft 27 T	1	715.560-561	●				
5		945 262 2602	Input Shaft 27 T	1	715.560-561	●				
5		945 262 4202	Input Shaft	1	715.560-561	●				
5		945 262 4902	Input Shaft	1	715.564	●				
6		015 981 1605	Bearing 39,65x82,3x41	1		●				
7		945 262 0334	Synchronizer Cone	2	(A)	●				
7		945 262 3634	Synchronizer Cone	2	(B)	●				
8		387 262 1093	Elastic Ring	2		●				
9		389 262 0637	Synchronizer Ring	2	(A)	●				
9		389 262 3137	Synchronizer Ring	2	(A) LONG LIFE	●				
9		947 260 0545	Synchronizer Ring	2	(B)	●				
9		CEI 119300	Synchronizer Ring	2	(B) LONG LIFE	●				
10		945 262 1935	Synchronizer Hub	1		●				
11		945 262 0323	Sliding Sleeve	1	(A)	●				
11		M945 262 0323	Sliding Sleeve	1	(A) LONG LIFE	●				
11		945 262 6823	Sliding Sleeve	1	(B)	●				
11		M945 262 6823	Sliding Sleeve	1	(B) LONG LIFE	●				
12		945 262 1617	Gear 3rd Speed 32 T	1		●				
13		009 981 4510	Needle Cage 68x76x55	1		●				
14		019 981 9210	Needle Cage	1		●				
15		947 265 0349	Slide Fork	2	BRASS	●				
15		M947 265 0349	Slide Fork	2	IRON	●				
16		945 262 5912	Gear 2nd Speed 36 T	1		●				
17		945 262 0534	Synchronizer Cone	1	(A)	●				
17		945 262 5434	Synchronizer Cone	1	(B)	●				
18		387 262 0893	Elastic Ring	2		●				
19		389 262 0737	Synchronizer Ring	2	(A)	●				
19		389 262 3237	Synchronizer Ring	2	(A) LONG LIFE	●				
19		946 262 6137	Synchronizer Ring	2	(B)	●				
19		CEI 119299	Synchronizer Ring	2	(B) LONG LIFE	●				
20		389 262 2535	Synchronizer Hub	1		●				
21		945 262 0423	Sliding Sleeve	1	(A)	●				
21		M945 262 0423	Sliding Sleeve	1	(A) LONG LIFE	●				
21		945 262 6523	Sliding Sleeve	1	(B)	●				
21		M945 262 6523	Sliding Sleeve	1	(B) LONG LIFE	●				
22		945 262 0434	Synchronizer Cone	1	(A)	●				
22		945 262 5534	Synchronizer Cone	1	(B)	●				
23		945 262 2711	Gear 1st Speed 41 T	1		●				
24		947 265 0349	Slide Fork	2	BRASS	●				
24		M947 265 0349	Slide Fork	2	IRON	●				

## Notes

(A) Up to gearbox 018250  
(B) From gearbox 018251

## Date

04 / 2011

## Table

0290



Adattabile a : **MERCEDES**  
Suitable To :

**Models**

AXOR

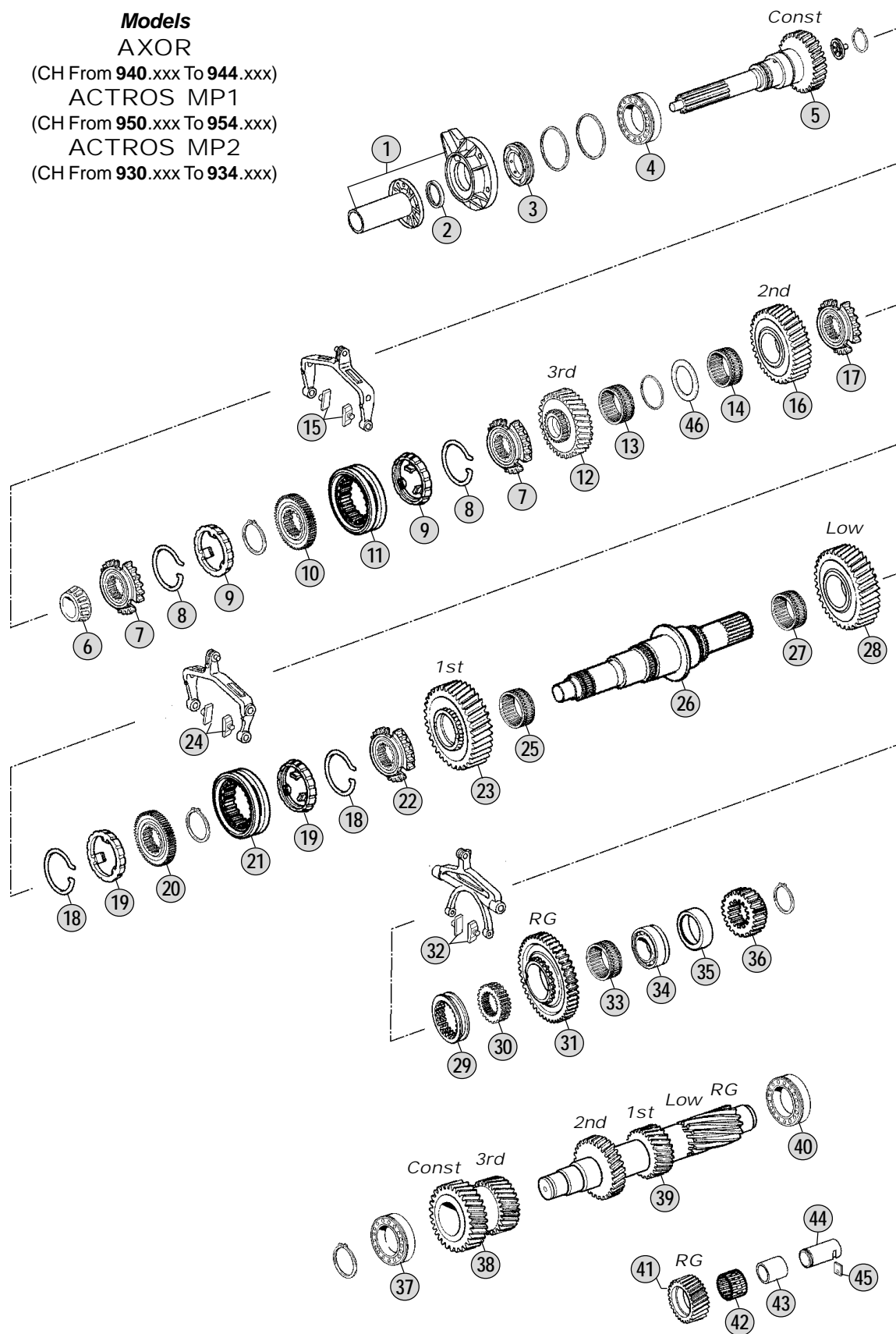
(CH From 940.xxx To 944.xxx)

ACTROS MP1

(CH From 950.xxx To 954.xxx)

ACTROS MP2

(CH From 930.xxx To 934.xxx)

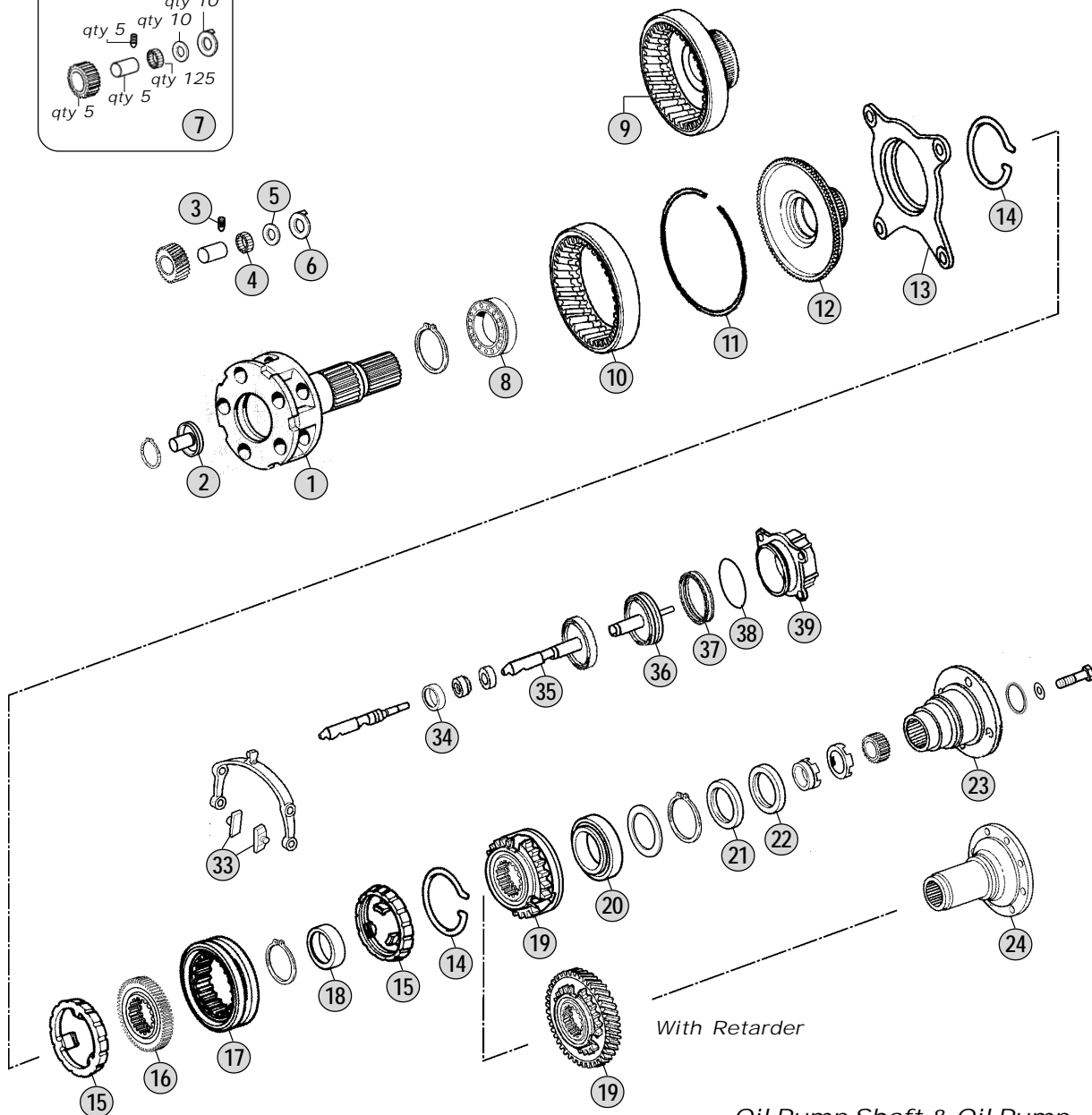
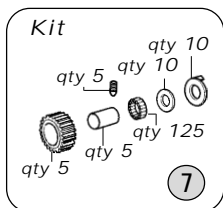


**Models**

G221 - 9 / 10,19-1,0 715.560-561-564



Adattabile a : **MERCEDES**  
Suitable To :

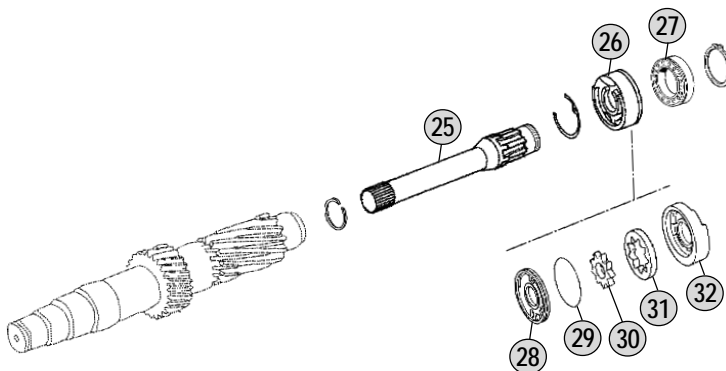


With Retarder

Oil Pump Shaft & Oil Pump

**Models**  
**AXOR**

- (CH From 940.xxx To 944.xxx)
- ACTROS MP1
- (CH From 950.xxx To 954.xxx)
- ACTROS MP2
- (CH From 930.xxx To 934.xxx)



**Models**

G221 - 9 / 10,19-1,00 715.560-561-564

Fig.	no.	Rif. MB	Description	Q.ty	Note	G22-9/10,19-1,0				
1		946 260 4061	Planetary Carrier	1		●				
2		945 269 0834	Oil Tube	1		●				
3		000914 006109	Stud 6x14 mm	5		●				
4		000 981 4186	Needle 5x39,8	125		●				
5		389 262 0162	Spacer	10		●				
6		389 262 1462	Thrust Washer	10		●				
7		945 260 0197	Repair Kit	1		●				
8		008 981 1325	Bearing 90x130x14	1		●				
9		945 262 0108	Crown Gear 85 T D.269 mm	1	ALT-1 pc.Fig.10+Fig.11+Fig.12	●				
10		945 262 0208	Crown Gear 85 T D.269-H 70mm	1	ALT-1 pc.Fig.9 (Crown Assy)	●				
10		945 262 0808	Crown Gear 85 T D.271-H 70mm	1	ALT-1 pc.Fig.9 (Crown Assy)	●				
11		389 262 0773	Lock Ring	1		●				
12		389 262 1425	Carrier Hub 85 T	1	ALT-1 pc.Fig.9 (Crown Assy)	●				
13		389 260 2036	Synchronizer Flange	1	(A)	●				
13		947 260 3036	Synchronizer Flange	1	(B)	●				
14		389 262 0293	Elastic Ring	2		●				
15		389 262 0537	Synchronizer Ring	2	(A)	●				
15		389 262 3337	Synchronizer Ring	2	(A) LONG LIFE	●				
15		947 260 0945	Synchronizer Ring	2	(B)	●				
15		CEI 119298	Synchronizer Ring	2	(B) LONG LIFE	●				
16		389 262 2035	Synchronizer Hub	1		●				
17		945 262 6623	Sliding Sleeve	1	(A)	●				
17		M945 262 6623	Sliding Sleeve	1	(A) LONG LIFE	●				
17		945 262 6923	Sliding Sleeve	1	(B)	●				
17		M945 262 6923	Sliding Sleeve	1	(B) LONG LIFE	●				
18		389 262 0251	Bush	1		●				
19		389 262 9234	Synchronizer Cone	1	(A)	●				
19		945 262 3834	Synchronizer Cone	1	(B)	●				
19		389 264 0730	Synchronizer Cone W/RET.63 T	1	(A) With Retarder	●				
19		930 264 0120	Synchronizer Cone W/RET.	1	(A) With Retarder	●				
19		945 264 0520	Synchronizer Cone W/RET.63 T	1	(B) With Retarder	●				
19		930 264 0320	Gear W/RET. 64 T	1	(B) With Retarder	●				
20		008 981 3025	Bearing 80x150x28	1		●				
20		007 981 8201	Bearing	1	For model with TELMA Retarder	●				
21		013 997 7247	Oil Seal 95x115x13	1		●				
21		013 997 7347	Oil Seal 95x115x13	1	For model with VOITH Retarder	●				
21		015 997 6447	Oil Seal	1	For model with TELMA retarder	●				
22		013 997 7347	Oil Seal 95x115x13	1		●				
22		017 997 1247	Oil Seal	1	For model with TELMA Retarder	●				
23		945 262 0045	Output Flange D.180 mm	1		●				
23		389 262 0645	Output Flange D.200 mm	1		●				
23		389 262 0545	Output Flange D.180 mm	1	For model with VOITH Retarder	●				
23		389 262 0945	Output Flange D.200 mm	1	For model with VOITH Retarder	●				
24		387 264 1945	Output Flange D.198 mm	1	For model with TELMA Retarder	●				
24		387 264 2045	Output Flange D.198 mm	1	For model with TELMA Retarder	●				

## Notes

(A) Up to gearbox 014747  
(B) From gearbox 014748

## Date

04 / 2011

## Table

0295

Adattabile a : **MERCEDES**  
 Suitable To :

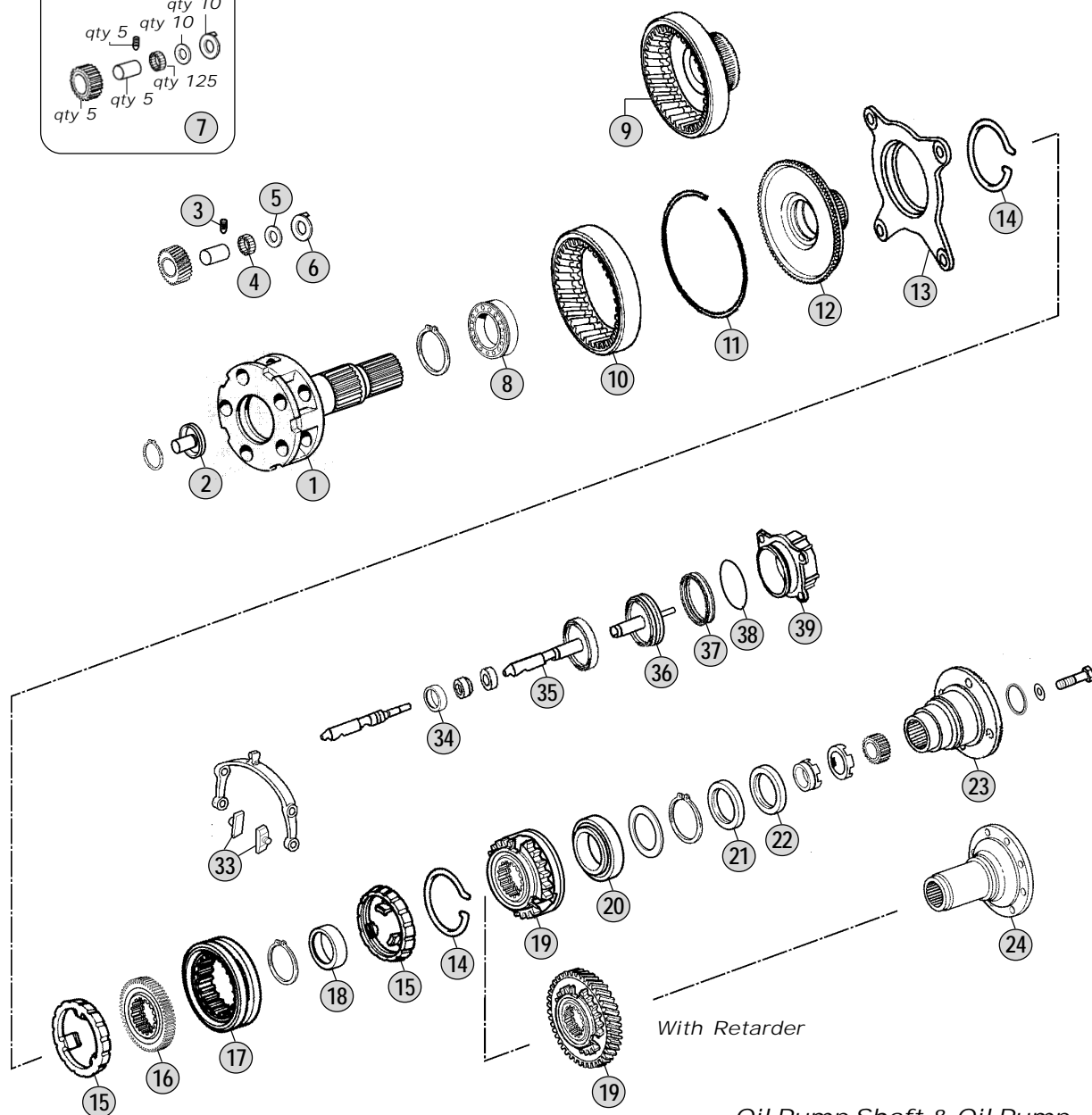
Modelli Cambio/ Gearbox Models  
**G221 (9 Speeds)**

**Kit**

qty 5   qty 10   qty 125

qty 5   qty 5

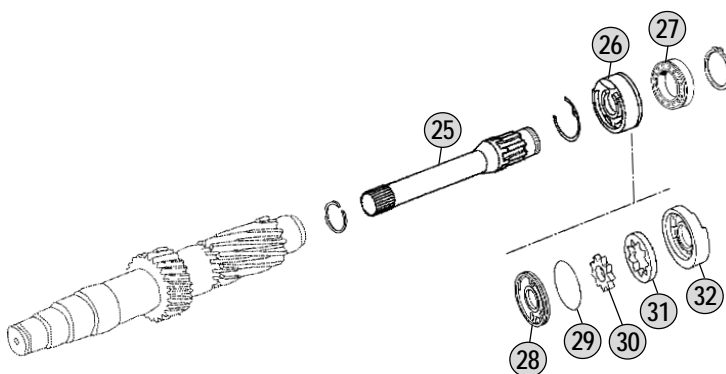
7



With Retarder

Oil Pump Shaft & Oil Pump

- Models**  
**AXOR**  
 (CH From **940.xxx** To **944.xxx**)  
**ACTROS MP1**  
 (CH From **950.xxx** To **954.xxx**)  
**ACTROS MP2**  
 (CH From **930.xxx** To **934.xxx**)



**Models**

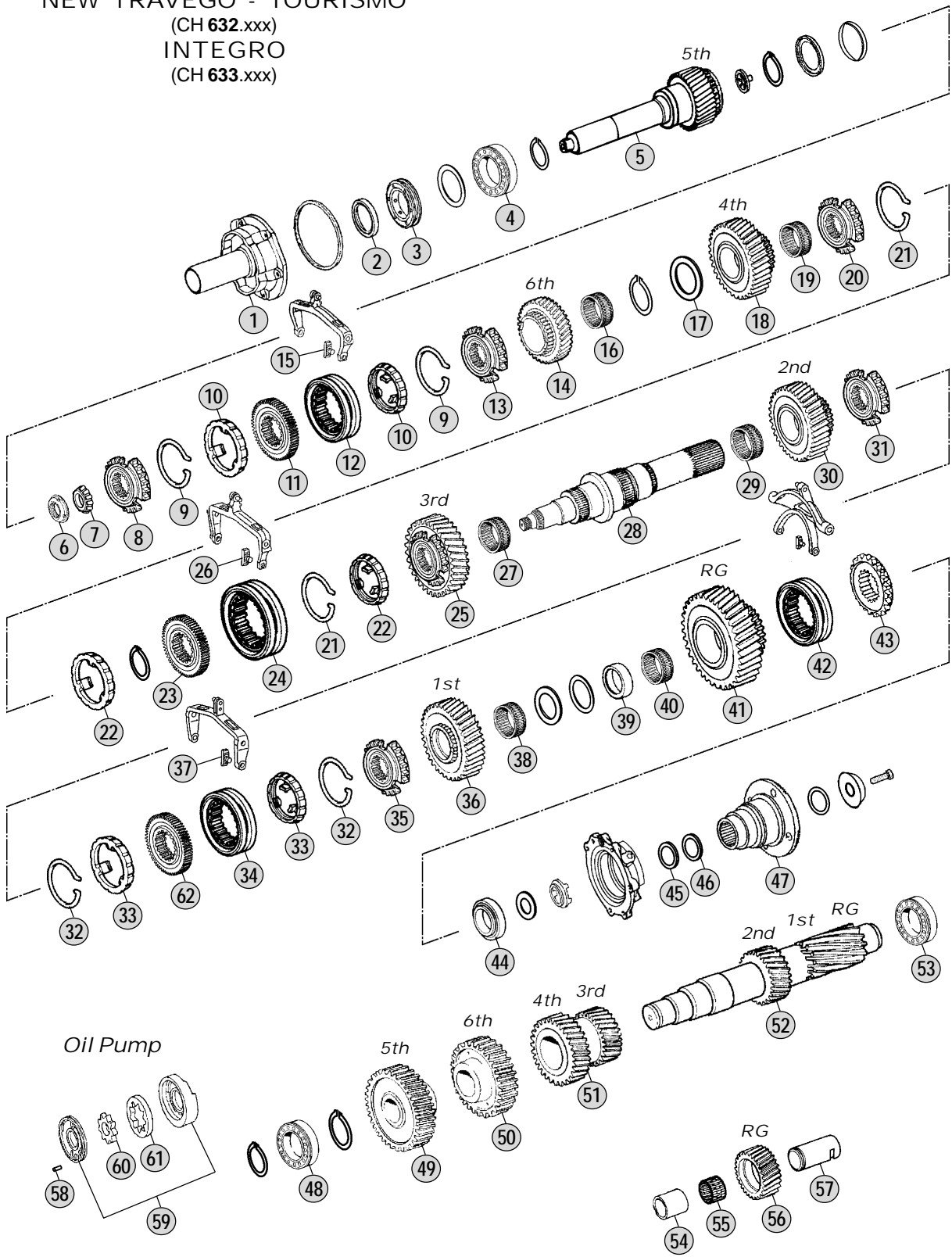
G221 - 9 / 10,19-1,00 **715.560-561-564**





Adattabile a : **MERCEDES**  
Suitable To :

**Models**  
NEW TRAVEGO - TOURISMO  
(CH 632.xxx)  
INTEGRO  
(CH 633.xxx)



**Models**

GO230 - 6 / 6,5-0,8 715.160

Fig.	no.	Rif. MB	Description	Q.ty	Note	GO230-66-5-0,8				
1		389 261 6218	Front Cover	1		●				
1		389 261 6618	Front Cover	1		●				
1		656 261 0018	Front Cover	1		●				
2		019 997 0547	Oil Seal 56x72x8	1		●				
3		389 261 0865	Diaphragm	1		●				
4		011 981 1305	Bearing 75x140x34,3	1		●				
5		656 262 3282	Input Shaft 30 T	1		●				
5		656 262 4502	Input Shaft 30 T	1		●				
5		656 262 4702	Input Shaft 30 T	1		●				
5		656 262 6302	Input Shaft 30 T	1		●				
6		945 990 0250	Nut M30x1,5	1		●				
7		015 981 1605	Bearing 39,65x82,3x41	1		●				
8		945 262 0334	Synchronizer Cone	1	(A)	●				
8		945 262 3634	Synchronizer Cone	1	(B)	●				
9		387 262 1093	Elastic Ring	2		●				
10		389 262 0637	Synchronizer Ring	2	(A)	●				
10		389 262 3137	Synchronizer Ring	2	(A) LONG LIFE	●				
10		947 260 0545	Synchronizer Ring	2	(B)	●				
10		CEI 119300	Synchronizer Ring	1	(B) LONG LIFE	●				
11		389 262 5335	Synchronizer Hub	1		●				
12		945 262 0323	Sliding Sleeve	1	(A)	●				
12		M945 262 0323	Sliding Sleeve	1	(A) LONG LIFE	●				
12		945 262 6823	Sliding Sleeve	1	(B)	●				
12		M945 262 6823	Sliding Sleeve	1	(B) LONG LIFE	●				
13		389 262 9834	Synchronizer Cone	1	(A)	●				
13		945 262 7134	Synchronizer Cone	1	(B)	●				
14		389 262 0816	Gear 6th Speed 26 T	1		●				
15		947 265 0349	Slide Fork	2	BRASS	●				
15		M947 265 0349	Slide Fork	2	IRON	●				
16		019 981 6010	Needle Cage 60x68x54	1		●				
17		389 262 1862	Washer	1		●				
18		389 262 0914	Gear 4th Speed 35 T	1		●				
19		009 981 1510	Needle Cage K78x86x35ZW	1		●				
20		945 262 5034	Synchronizer Cone	1	(A)	●				
20		945 262 6134	Synchronizer Cone	1	(B)	●				
21		387 262 1093	Elastic Ring	2		●				
22		389 262 0637	Synchronizer Ring	2	(A)	●				
21		389 262 3137	Synchronizer Ring	2	(A) LONG LIFE	●				
22		947 260 0545	Synchronizer Ring	2	(B)	●				
22		CEI 119300	Synchronizer Ring	2	(B) LONG LIFE	●				
23		389 262 4435	Synchronizer Hub	1		●				
24		389 262 2023	Sliding Sleeve	1	(A)	●				
24		M389 262 2023	Sliding Sleeve	1	(A) LONG LIFE	●				
24		945 262 5723	Sliding Sleeve	1	(B)	●				
24		M945 262 5723	Sliding Sleeve	1	(B) LONG LIFE	●				

Notes

(A - B) To be coupled together

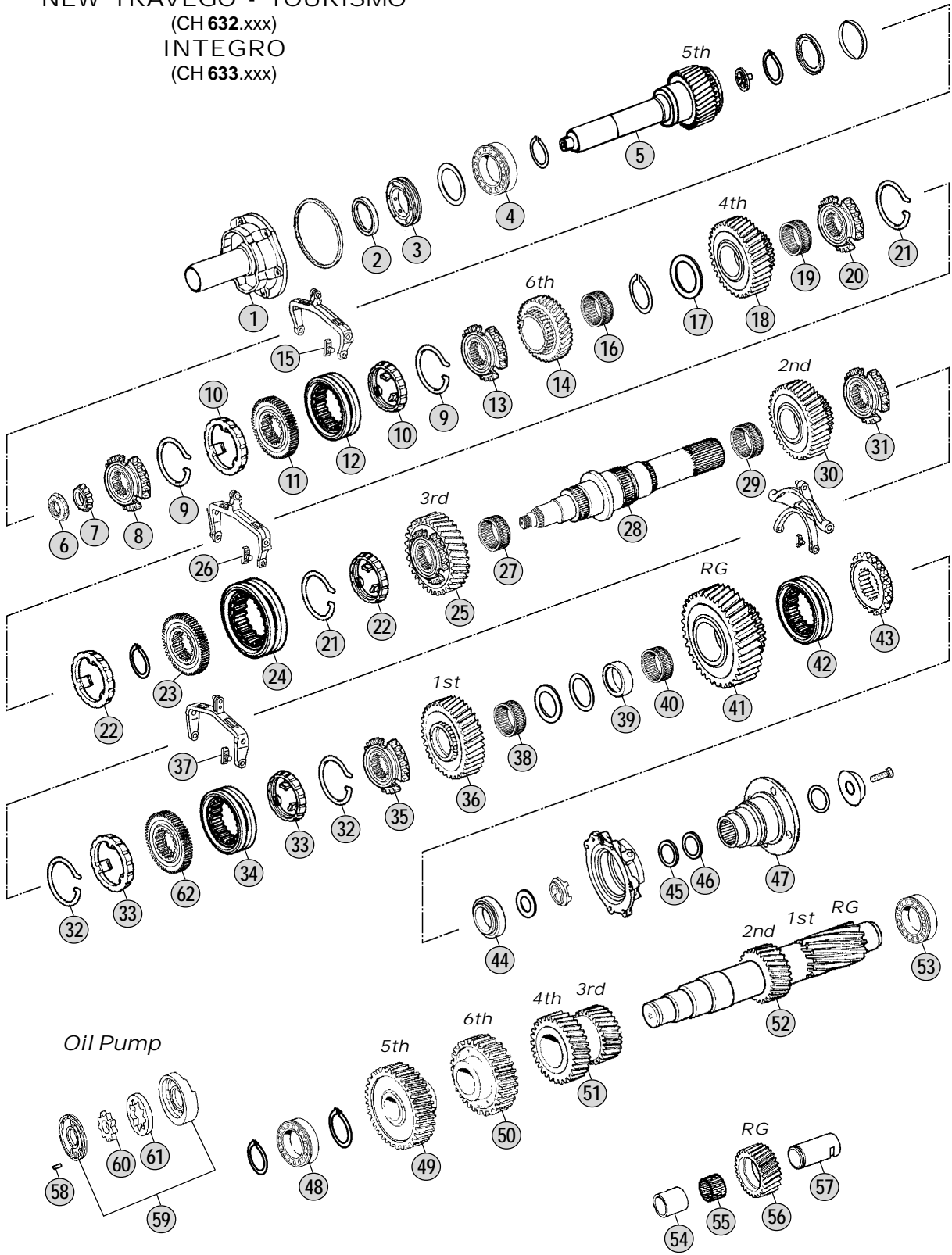
Date

04 / 2011

Table**0300**

Adattabile a : **MERCEDES**  
 Suitable To :

**Models**  
 NEW TRAVEGO - TOURISMO  
 (CH 632.xxx)  
 INTEGRO  
 (CH 633.xxx)



**Models**

GO230 - 6 / 6,5-0,8 715.160

Fig.	no.	Rif. MB	Description	Q.ty	Note	GO230-6-5-0,8				
25		389 262 4313	Gear 3rd Speed 40 T	1	(A)	●				
25		945 262 6417	Gear 3rd Speed 40 T	1	(B)	●				
26		947 265 0349	Slide Fork	1	BRASS	●				
26		M947 265 0349	Slide Fork	2	IRON	●				
27		007 981 5510	Needle Cage 92x100x49,5	1		●				
28		389 262 4605	Main Shaft	1		●				
29		007 981 5510	Needle Cage 92x100x49,5	1		●				
30		976 262 1612	Gear 2nd Speed 45 T	1		●				
31		945 262 4934	Synchronizer Cone	1	(A)	●				
31		945 262 6034	Synchronizer Cone	1	(B)	●				
32		387 262 0893	Elastic Ring	2		●				
33		389 262 0737	Synchronizer Ring	2	(A)	●				
33		389 262 3237	Synchronizer Ring	2	(A) LONG LIFE	●				
33		946 262 6137	Synchronizer Ring	2	(B)	●				
33		CEI 119299	Synchronizer Ring	2	(B) LONG LIFE	●				
34		389 262 2123	Sliding Sleeve	1	(A)	●				
34		M389 262 2123	Sliding Sleeve	1	(A) LONG LIFE	●				
34		945 262 5623	Sliding Sleeve	1	(B)	●				
34		M945 262 5623	Sliding Sleeve	1	(B) LONG LIFE	●				
35		945 262 4834	Synchronizer Cone	1	(A)	●				
35		945 262 5934	Synchronizer Cone	1	(B)	●				
36		389 262 3311	Gear 1st Speed 50 T	1		●				
37		947 265 0349	Slide Fork	2	BRASS	●				
37		M947 265 0349	Slide Fork	2	IRON	●				
38		021 981 9410	Needle Cage 85x93x45W	1		●				
39		389 262 2250	Bush	1		●				
40		021 981 9410	Needle Cage 85x93x45W	1		●				
41		389 262 2233	Reverse Gear 47 T	1		●				
42		389 262 1723	Sliding Sleeve	1	With 157.630	●				
42		389 262 1823	Sliding Sleeve	1	With 157.626	●				
43		389 262 4135	Synchronizer Hub	1	With 154.224	●				
43		389 262 4235	Synchronizer Hub	1	With 154.223	●				
44		012 981 3705	Bearing 65x140x13,5	1		●				
45		020 997 9947	Oil Seal 80x110x10	1		●				
46		023 997 8547	Oil Seal 80x100x12	1		●				
47		629 262 0045	Output Flange D.150 mm	1		●				
47		629 262 0245	Output Flange D.150 mm	1		●				
47		387 264 2445	Output Flange D.162 mm	1		●				
47		387 264 3445	Output Flange D.180 mm	1		●				
47		629 262 0145	Output Flange D.180 mm	1		●				
47		656 262 0045	Output Flange D.249 mm	1		●				
48		014 981 1405	Bearing 50,8x100x35	1		●				
49		389 263 1910	Constant Gear 47 T	1		●				
50		389 263 0116	Gear 6th Speed 51 T	1		●				
51		656 263 0013	Double Gear 3rd/4th Sp.-28/38 T	1		●				

**Notes**

(A - B) To be coupled together

**Date**

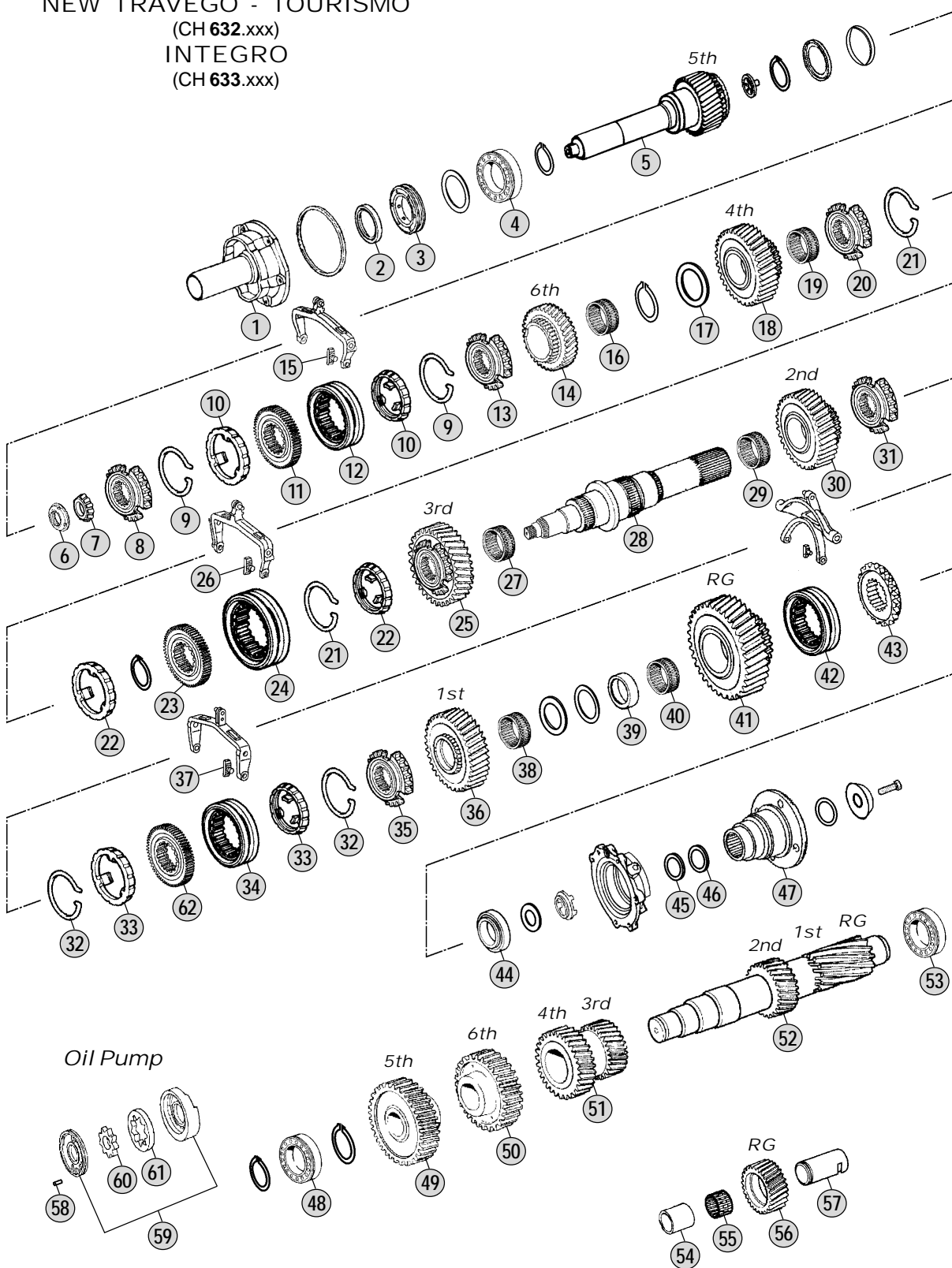
04 / 2011

**Table****0300**6 Speeds  
GO230

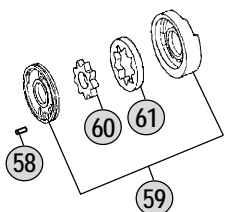
Adattabile a : **MERCEDES**  
 Suitable To :

**Models**

**NEW TRAVEGO - TOURISMO**  
 (CH 632.xxx)  
**INTEGRO**  
 (CH 633.xxx)



Oil Pump



**Models**

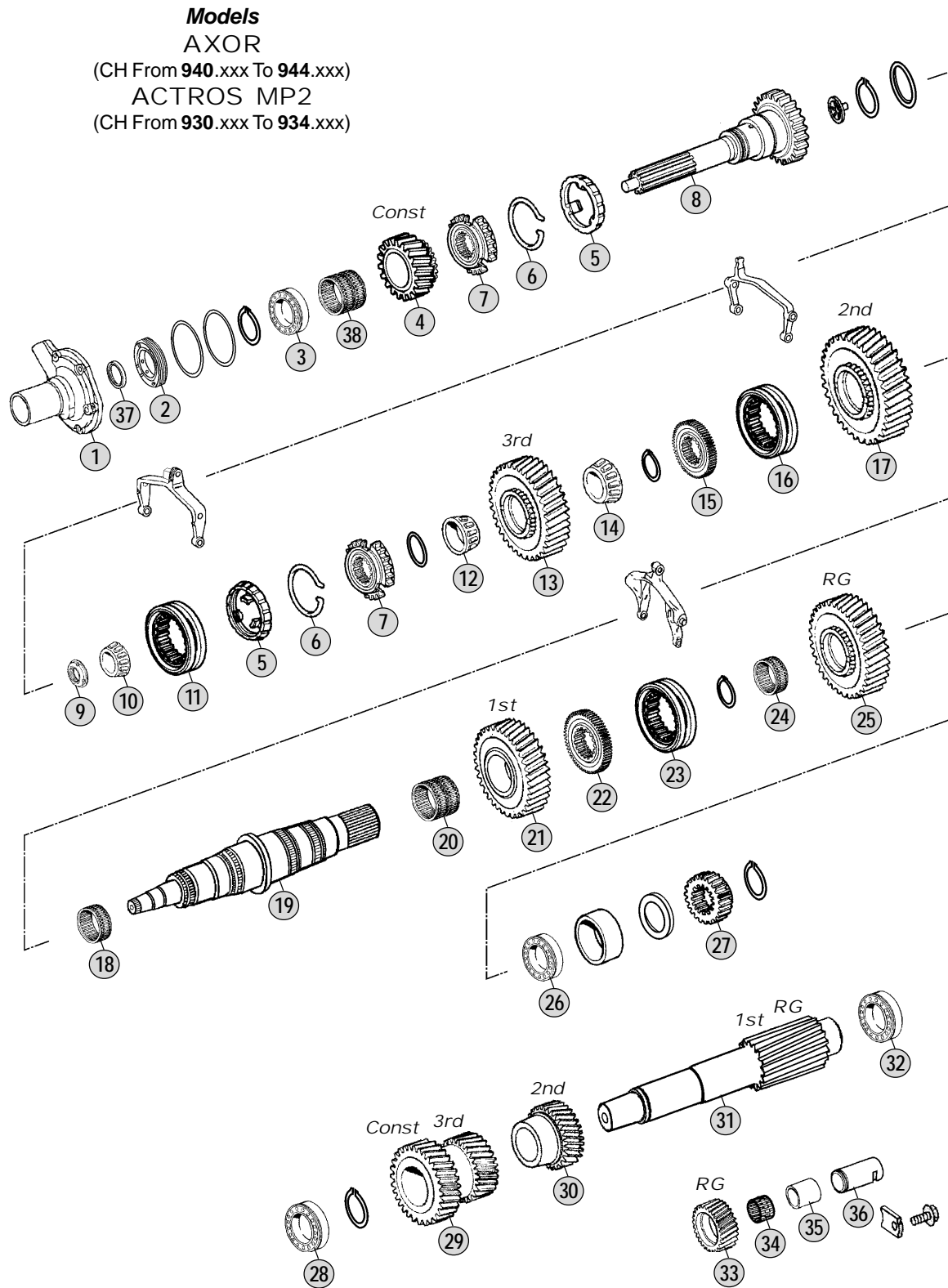
GO230 - 6 / 6,5-0,8 715.160





Adattabile a : **MERCEDES**  
 Suitable To :

Modelli Cambio/ Gearbox Models  
**G230 (12 Speeds)**



**Models**

G230 - 12 / 14,93-1,00 715.361

Fig.	no.	Rif. MB	Description	Q.ty	Note	G230-12/14-93-1,0				
1		947 261 2218	Front Cover	1		●				
2		389 261 0865	Diaphragm	1		●				
3		011 981 1305	Bearing 75x140x34,3	1		●				
4		947 262 3510	Constant Gear I	1		●				
5		947 260 0545	Synchronizer Ring	2		●				
5		CEI 119300	Synchronizer Ring	2	LONG LIFE	●				
6		387 262 1093	Elastic Ring	2		●				
7		945 262 3634	Synchronizer Cone	2		●				
8		947 262 3502	Input Shaft	1		●				
9		945 990 0250	Nut M30x1,5	1		●				
10		014 981 1905	Bearing 39,6x77,7x40	1		●				
11		945 262 6823	Sliding Sleeve	1		●				
11		M945 262 6823	Sliding Sleeve	1	LONG LIFE	●				
12		015 981 7605	Bearing 50x85x41	1		●				
13		947 262 0117	Gear 3rd Speed 34 T	1		●				
14		015 981 1605	Bearing 39,65x82,3x41	1		●				
15		947 262 1435	Synchronizer Hub	1		●				
16		947 262 1123	Sliding Sleeve	1		●				
17		947 262 2012	Gear 2nd Speed 38 T	1		●				
18		008 981 8310	Needle Cage 75x83x55W	1		●				
19		947 262 1705	Main Shaft	1		●				
20		021 981 5710	Needle Cage 75x83x33W	1		●				
21		947 262 5310	Gear 1st Speed 41 T	1		●				
22		947 262 1435	Synchronizer Hub	1		●				
23		947 262 1123	Sliding Sleeve	1		●				
24		022 981 2310	Needle Cage	1		●				
25		947 262 1933	Reverse Gear 41 T	1		●				
26		016 981 7881	Bearing	1		●				
27		947 262 1209	Sun Gear 25 T	1	Old Type	●				
27		947 262 1609	Sun Gear 25 T	1	New Type	●				
28		014 981 1405	Bearing 50,8x100x35	1		●				
29		947 263 2110	Constant Gear	1		●				
30		947 263 0312	Gear 2nd Speed 23 T	1		●				
31		947 263 2402	Countershaft 15 T	1		●				
32		002 981 7781	Bearing	1		●				
33		947 263 1431	Reverse Gear 19 T	1		●				
34		021 981 5610	Needle Cage	1		●				
35		947 263 0050	Bush	1		●				
36		976 263 0030	Reverse Shaft	1		●				
37		019 997 0547	Oil Seal 56x72x8	1		●				
38		022 981 2010	Needle Cage	1		●				

Notes

Date

02 / 2011

Table

**0310**

Adattabile a : **MERCEDES**  
 Suitable To :

Modelli Cambio/ Gearbox Models  
**G230 (12 Speeds)**

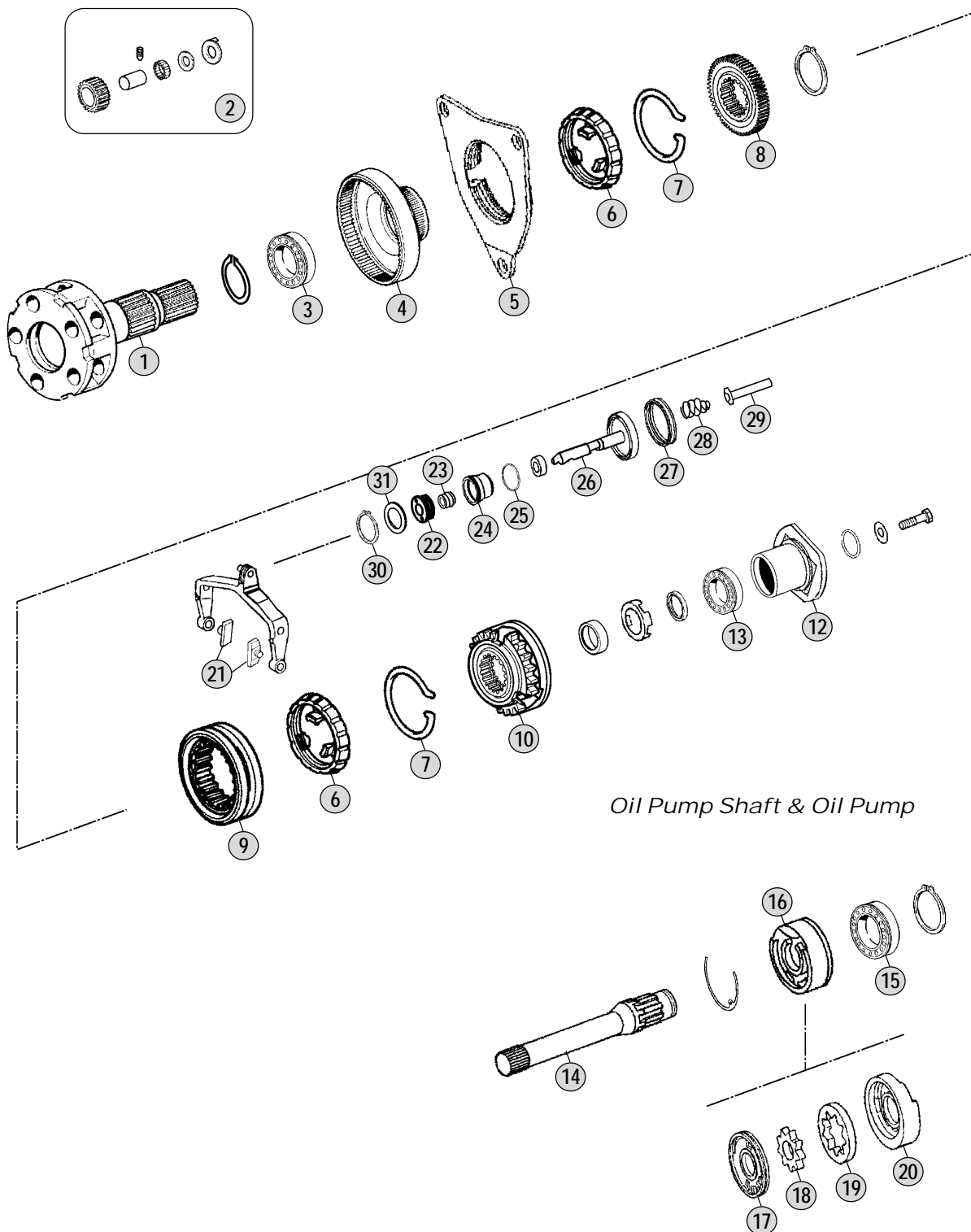
**Models**

**AXOR**

(CH From **940.xxx** To **944.xxx**)

**ACTROS MP2**

(CH From **930.xxx** To **934.xxx**)



**Models**

G230 - 12 / 14,93 - 1,00 **715.361**

Fig.	no.	Rif. MB	Description	Q.ty	Note	G230-12/14-93-1,0				
1		947 260 6361	Planetary Carrier	1		●				
2		947 260 0197	Repair Kit	1		●				
3		008 981 1325	Bearing 90x130x14	1		●				
4		947 262 2508	Crown Gear 85 T	1		●				
5		947 260 0736	Synchronizer Flange	1		●				
6		947 260 0945	Synchronizer Ring	2		●				
6		CEI 119298	Synchronizer Ring	2	LONG LIFE	●				
7		389 262 0293	Elastic Ring	2		●				
8		389 262 2035	Synchronizer Hub	1		●				
9		945 262 6923	Sliding Sleeve	1		●				
9		M945 262 6923	Sliding Sleeve	1	LONG LIFE	●				
10		947 262 0634	Synchronizer Cone	1		●				
12		947 260 0117	Output Flange	1		●				
13		009 981 3625	Bearing	1		●				
14		947 269 1010	Oil Pump Shaft	1		●				
14		947 269 1110	Oil Pump Shaft	1		●				
15		008 981 5425	Bearing	1		●				
16		389 260 0690	Oil Pump	1		●				
17		389 269 2601	Oil Pump Cover	1		●				
18		389 269 1406	Oil Pump Gear	1		●				
19		389 269 0706	Oil Pump Hub	1		●				
20		947 269 1001	Oil Pump Housing	1		●				
21		947 265 0349	Slide Fork	2	BRASS	●				
21		M947 265 0349	Slide Fork	2	IRON	●				
22		945 267 0218	Piston	1		●				
23		006 997 6447	Oil Seal 41x48x11,5	1		●				
24		945 267 0819	Cylinder	1		●				
25		022 997 4248	Seal Ring	1		●				
26		930 260 2289	Cylinder	1		●				
27		024 997 8347	Oil Seal 77x90x17	1		●				
28		008 993 0801	Spring	1		●				
29		000 543 5785	Oil Tube	1		●				
30		006 994 4241	Lock Ring	1		●				
31		389 262 2555	Spacer Th.0,70(64,7x50) mm	1		●				
31		389 262 2655	Spacer Th.0,90(64,7x50) mm	1		●				
31		389 262 3254	Spacer Th.1,05(64,7x50) mm	1		●				
31		389 262 3354	Spacer Th.1,10(64,7x50) mm	1		●				
31		389 262 3554	Spacer Th.1,20(64,7x50) mm	1		●				
31		389 262 2052	Spacer Th.1,40(64,7x50) mm	1		●				
31		389 262 3252	Spacer Th.2,00(64,7x50) mm	1		●				
31		389 262 3352	Spacer Th.2,50(64,7x50) mm	1		●				

Notes

Date

04 / 2011

Table

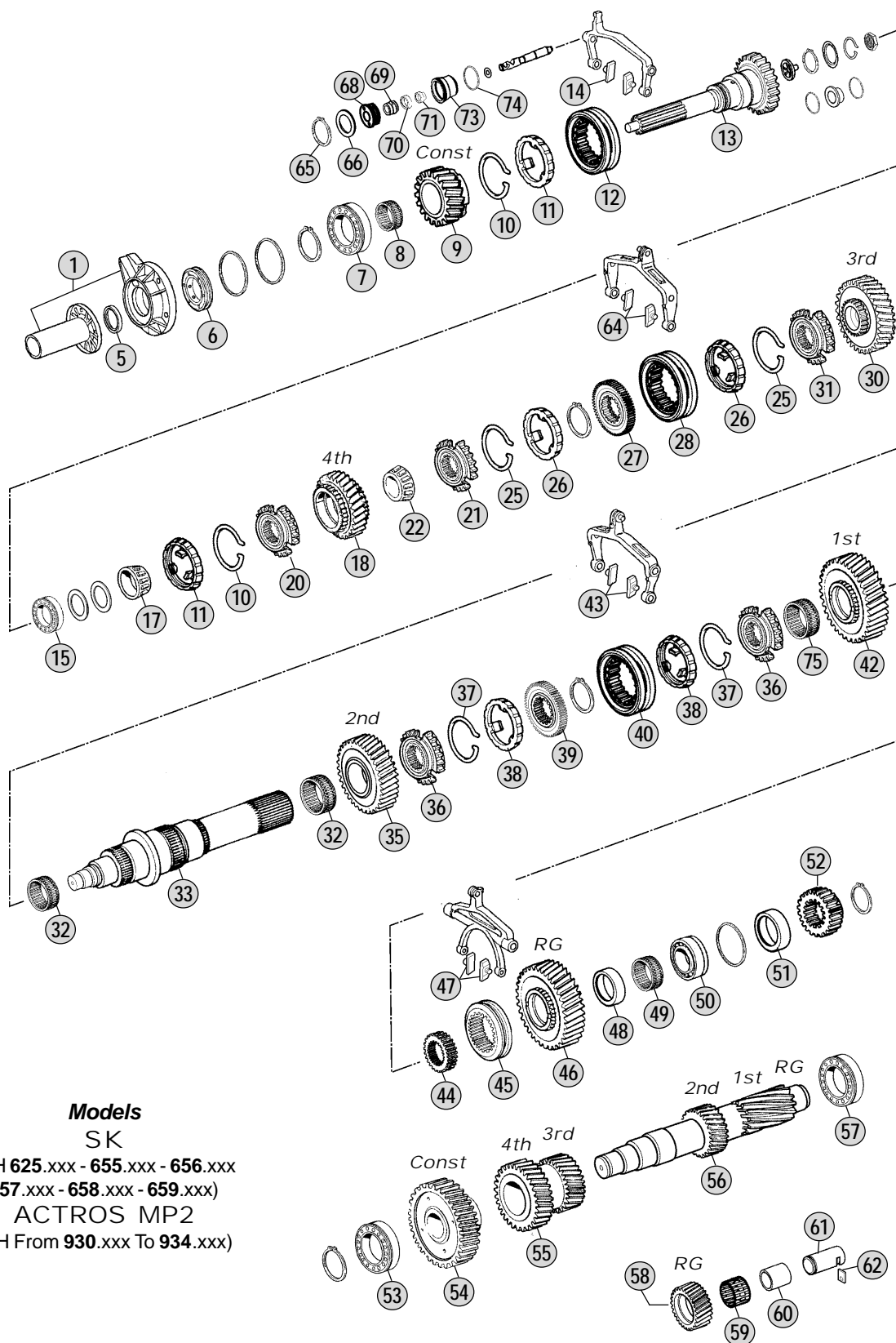
0315

12 Speeds  
G230

Adattabile a : **MERCEDES**

Suitable To :

Modelli Cambio/ Gearbox Models

**G230 (16 Speeds)****Models**

SK

(CH 625.xxx - 655.xxx - 656.xxx

657.xxx - 658.xxx - 659.xxx)

ACTROS MP2

(CH From 930.xxx To 934.xxx)

**Models**G230 - 16 / 14,2 - 0,83 **715.507**

Fig.	no.	Rif. MB	Description	Q.ty	Note				
1		945 261 1118	Front Cover	1		●			
5		019 997 0547	Oil Seal 56x72x8	1		●			
6		389 261 0865	Diaphragm	1		●			
7		011 981 1305	Bearing 75x140x34,3	1		●			
8		016 981 0010	Needle Cage K89x97x40ZW	1		●			
9		945 262 4110	Constant Gear 32 T	1	(A)	●			
9		945 262 7517	Constant Gear 32 T	1	(B)	●			
10		387 262 1093	Elastic Ring	2		●			
11		389 262 0637	Synchronizer Ring	2	(A)	●			
11		389 262 3137	Synchronizer Ring	2	(A) LONG LIFE	●			
11		947 260 0545	Synchronizer Ring	2	(B)	●			
11		CEI 119300	Synchronizer Ring	2	(B) LONG LIFE	●			
12		945 262 0323	Sliding Sleeve	1	(A)	●			
12		M945 262 0323	Sliding Sleeve	1	(A) LONG LIFE	●			
12		945 262 6823	Sliding Sleeve	1	(B)	●			
12		M945 262 6823	Sliding Sleeve	1	(B) LONG LIFE	●			
13		389 262 8201	Input Shaft	1		●			
13		945 262 6303	Input Shaft	1		●			
14		947 265 0349	Slide Fork	2	BRASS	●			
14		M947 265 0349	Slide Fork	2	IRON	●			
15		015 981 1605	Bearing 39,65x82,3x41	1		●			
17		015 981 7605	Bearing 50x85x41	1		●			
18		945 262 0510	Gear 4th Speed 29 T	1		●			
20		945 262 0334	Synchronizer Cone	1	(A)	●			
20		945 262 3634	Synchronizer Cone	1	(B)	●			
21		945 262 0534	Synchronizer Cone	1	(A)	●			
21		945 262 5434	Synchronizer Cone	1	(B)	●			
22		CEI 130547	Bearing 55x24	1		●			
25		387 262 0893	Elastic Ring	2		●			
26		389 262 0737	Synchronizer Ring	2	(A)	●			
26		389 262 3237	Synchronizer Ring	2	(A) LONG LIFE	●			
26		946 262 6137	Synchronizer Ring	2	(B)	●			
26		CEI 119299	Synchronizer Ring	2	(B) LONG LIFE	●			
27		389 262 4735	Synchronizer Hub	1		●			
28		945 262 0423	Sliding Sleeve	1	(A)	●			
28		M945 262 0423	Sliding Sleeve	1	(A) LONG LIFE	●			
28		945 262 6523	Sliding Sleeve	1	(B)	●			
28		M945 262 6523	Sliding Sleeve	1	(B) LONG LIFE	●			
30		945 262 3513	Gear 3rd Speed 34 T	1		●			
31		945 262 0534	Synchronizer Cone	1	(A)	●			
31		945 262 5434	Synchronizer Cone	1	(B)	●			
32		018 981 6610	Needle Cage K85x93x53ZWD	2		●			
33		945 262 3605	Main Shaft	1	Old Bearing	●			
33		945 262 4505	Main Shaft	1	New Bearing	●			
35		945 262 3112	Gear 2nd Speed 39 T	1		●			

Notes

(A - B) To be coupled together

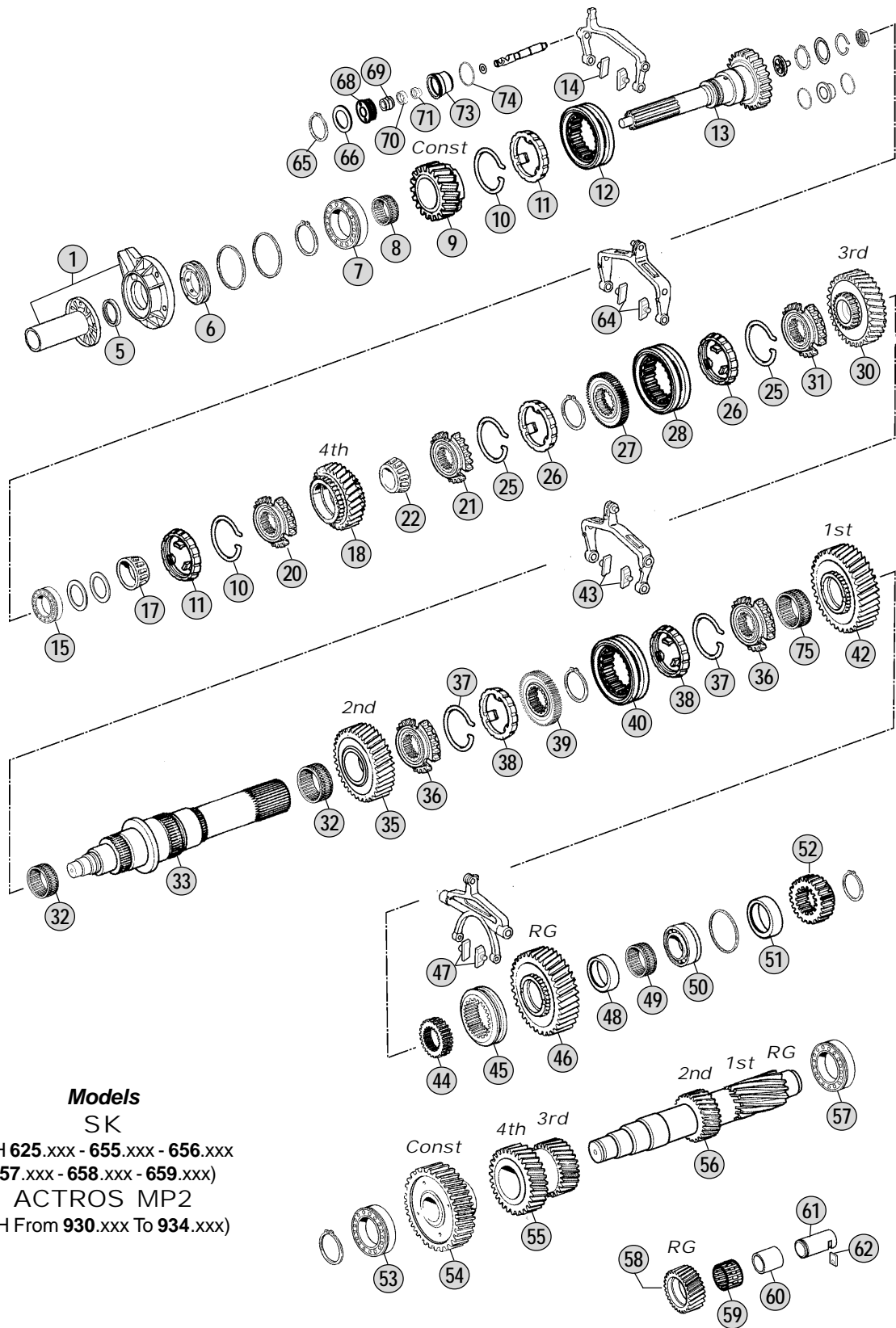
Date

04 / 2011

Table**0320**



Adattabile a : **MERCEDES**  
 Suitable To :



**Models**

**SK**

(CH 625.xxx - 655.xxx - 656.xxx  
 657.xxx - 658.xxx - 659.xxx)

**ACTROS MP2**

(CH From 930.xxx To 934.xxx)

**Models**

G230 - 16 / 14,2 - 0,83 **715.507**

Fig.	no.	Rif. MB	Description	Q.ty	Note	G230-16/14,2-0,83				
36		945 262 0434	Synchronizer Cone	2	(A)	●				
36		945 262 5534	Synchronizer Cone	2	(B)	●				
37		387 262 0893	Elastic Ring	2		●				
38		389 262 0737	Synchronizer Ring	2	(A)	●				
38		389 262 3237	Synchronizer Ring	2	(A) LONG LIFE	●				
38		946 262 6137	Synchronizer Ring	2	(B)	●				
38		CEI 119299	Synchronizer Ring	2	(B) LONG LIFE	●				
39		389 262 2535	Synchronizer Hub	1		●				
40		945 262 0423	Sliding Sleeve	1	(A)	●				
40		M945 262 0423	Sliding Sleeve	1	(A) LONG LIFE	●				
40		945 262 6523	Sliding Sleeve	1	(B)	●				
40		M945 262 6523	Sliding Sleeve	1	(B) LONG LIFE	●				
42		389 262 2711	Gear 1st Speed 44 T	1		●				
43		947 265 0349	Slide Fork	2	BRASS	●				
43		M947 265 0349	Slide Fork	2	IRON	●				
44		389 262 0135	Synchronizer Hub	1	With 154.224	●				
44		389 262 3935	Synchronizer Hub	1	With 154.223 / Old Type	●				
44		945 262 3835	Synchronizer Hub	1	With 154.223 / New Type	●				
45		389 262 1723	Sliding Sleeve	1		●				
45		389 262 1823	Sliding Sleeve	1		●				
46		945 262 3233	Reverse Gear 40 T	1	With 154.224	●				
46		945 262 3333	Reverse Gear 40 T	1	With 154.223 / Old Type	●				
46		945 262 4433	Reverse Gear 40 T	1	With 154.223 / New Type	●				
47		945 265 0149	Slide Fork	2		●				
48		389 262 2550	Bush	1		●				
49		009 981 1510	Needle Cage K78x86x35ZW	1		●				
50		014 981 6105	Bearing 60x130x30	1		●				
51		389 262 3754	Spacer Th.18(74x60) mm	1		●				
52		945 262 0909	Sun Gear 25 T	1		●				
53		014 981 1405	Bearing 50,8x100x35	1		●				
54		945 263 0810	Constant Gear 31 T	1		●				
55		945 263 1013	Double Gear 4th/3rd Sp.-34/27 T	1		●				
56		945 263 2902	Countershaft 21/16 T	1		●				
57		016 981 1205	Bearing 60x130x33,8	1		●				
58		389 263 1031	Reverse Gear 21 T	1		●				
59		012 981 8910	Needle Cage K42x50x51ZW	1		●				
60		389 263 0850	Bush Th.18(74x60) mm	1		●				
61		389 263 0430	Reverse Shaft	1	Old Style	●				
61		976 263 0030	Reverse Shaft	1	New Style	●				
62		389 263 0041	Key	1	Old Style	●				
62		945 263 0041	Key	1	New Style	●				
64		947 265 0349	Slide Fork	2	BRASS	●				
64		M947 265 0349	Slide Fork	2	IRON	●				
65		006 994 4241	Lock Ring	1		●				
66		389 262 2655	Spacer Th.0,90(64,7x50) mm	1		●				

Notes

(A - B) To be coupled together

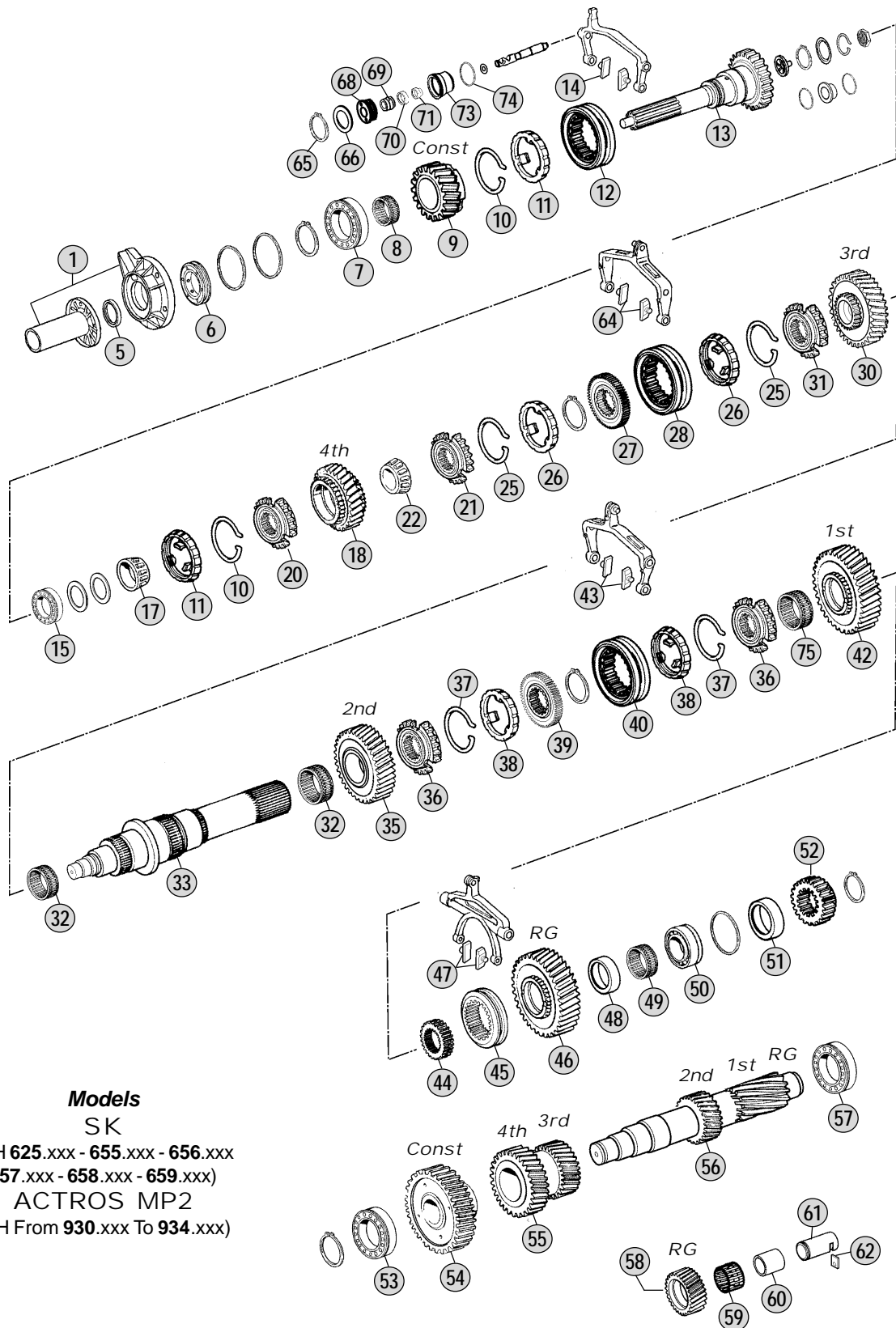
Date

04 / 2011

Table**0320**

Adattabile a : **MERCEDES**  
 Suitable To :

Modelli Cambio/ Gearbox Models  
**G230 (16 Speeds)**



### Models

SK

(CH 625.xxx - 655.xxx - 656.xxx  
 657.xxx - 658.xxx - 659.xxx)

ACTROS MP2

(CH From 930.xxx To 934.xxx)

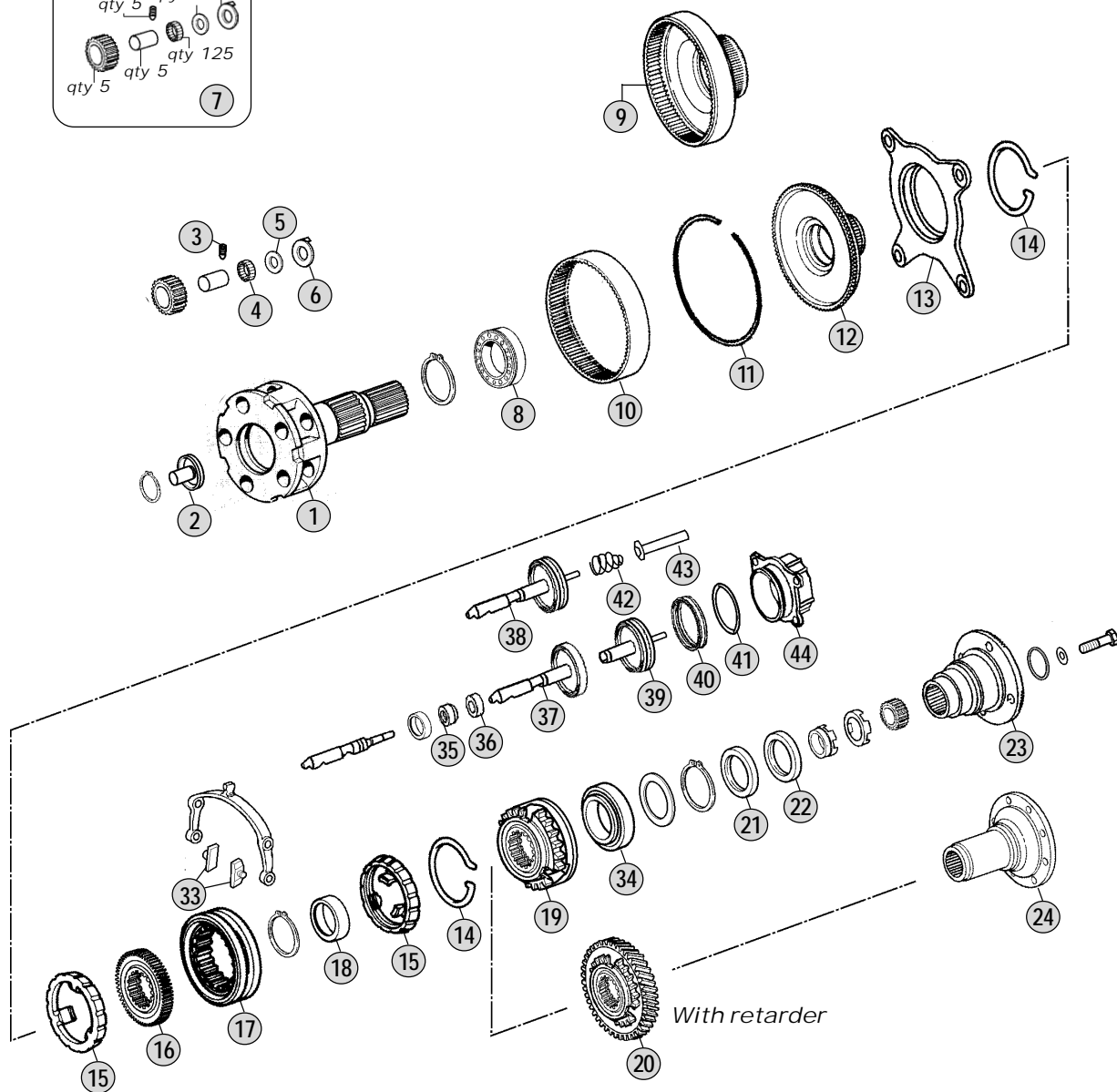
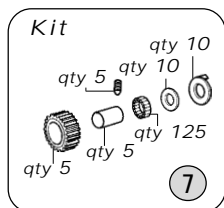
### Models

G230 - 16 / 14,2 - 0,83 **715.507**

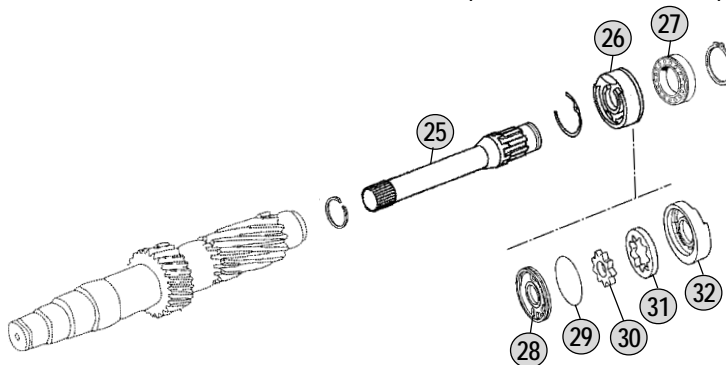


Adattabile a : **MERCEDES**  
 Suitable To :

Modelli Cambio/ Gearbox Models  
**G230 (16 Speeds)**



Oil Pump Shaft & Oil Pump



**Models**  
**SK**

(CH 625.xxx - 655.xxx - 656.xxx  
 657.xxx - 658.xxx - 659.xxx)  
**ACTROS MP2**  
 (CH From 930.xxx To 934.xxx)

**Models**

G230 - 16 / 14,2 - 0,83    **715.361**

Fig.	no.	Rif. MB	Description	Q.ty	Note	G230-16/14,2-0,83				
1		946 260 3661	Planetary Carrier (Empty)	1	Empty	●				
1		945 260 4661	Planetary Carrier (Complete)	1	Complete	●				
2		945 269 0834	Oil Tube	1		●				
3		000914 006109	Stud 6x14 mm	5		●				
4		000 981 4186	Needle 5x39,8	125		●				
5		389 262 0162	Spacer	10		●				
6		389 262 1462	Thrust Washer	10		●				
7		655 260 0197	Repair Kit	1		●				
8		008 981 1325	Bearing 90x130x14	1		●				
9		945 262 0108	Crown Gear 85 T D.269 mm	1	ALT-1 pc.Fig.10+Fig.11+Fig.12	●				
10		945 262 0208	Crown Gear 85 T D.269-H 70mm	1	ALT-1 pc.Fig.9 (Crown Assy)	●				
10		945 262 0808	Crown Gear 85 T D.271-H 70mm	1	ALT-1 pc.Fig.9 (Crown Assy)	●				
11		389 262 0773	Lock Ring	1		●				
12		389 262 1425	Carrier Hub 85 T	1	ALT-1 pc.Fig.9 (Crown Assy)	●				
13		389 260 2036	Synchronizer Flange	1	(A)	●				
13		947 260 3036	Synchronizer Flange	1	(B)	●				
14		389 262 0293	Elastic Ring	2		●				
15		389 262 0537	Synchronizer Ring	2	(A)	●				
15		389 262 3337	Synchronizer Ring	2	(A) LONG LIFE	●				
15		947 260 0945	Synchronizer Ring	2	(B)	●				
15		CEI 119298	Synchronizer Ring	2	(B) LONG LIFE	●				
16		389 262 2035	Synchronizer Hub	1		●				
17		945 262 6623	Sliding Sleeve	1	(A)	●				
17		M945 262 6623	Sliding Sleeve	1	(A) LONG LIFE	●				
17		945 262 6923	Sliding Sleeve	1	(B)	●				
17		M945 262 6923	Sliding Sleeve	1	(B) LONG LIFE	●				
18		389 262 0251	Bush	1		●				
19		389 262 9234	Synchronizer Cone	1	(A)	●				
19		945 262 3834	Synchronizer Cone	1	(B)	●				
20		389 264 0730	Synchronizer Cone W/RET.63 T	1	(A) With Retarder	●				
20		930 264 0120	Synchronizer Cone W/RET.	1	(A) With Retarder	●				
20		930 264 0220	Synchronizer Cone W/RET.	1	(A) With Retarder	●				
20		945 264 0520	Synchronizer Cone W/RET.63 T	1	(B) With Retarder	●				
20		930 264 0320	Gear W/RET. 64 T	1	(B) With Retarder	●				
21		013 997 7247	Oil Seal 95x115x13	1		●				
21		013 997 7347	Oil Seal 95x115x13	1	For Model with VOITH Retarder	●				
21		015 997 6447	Oil Seal	1	For Model with TELMA Retarder	●				
22		013 997 7347	Oil Seal 95x115x13	1		●				
22		017 997 1247	Oil Seal	1	For Model with TELMA Retarder	●				
23		945 262 0045	Output Flange D.180 mm	1		●				
23		930 262 0045	Output Flange D.180 mm	1		●				
23		389 262 0645	Output Flange D.200 mm	1		●				
23		930 262 0145	Output Flange D.200 mm	1		●				
23		389 262 0645	Output Flange D.200 mm	1		●				
23		389 262 0545	Output Flange D.180 mm	1	For Model with VOITH Retarder	●				

**Notes**

- (A) Up to gearbox 36686  
 (B) From gearbox 36687

**Date**

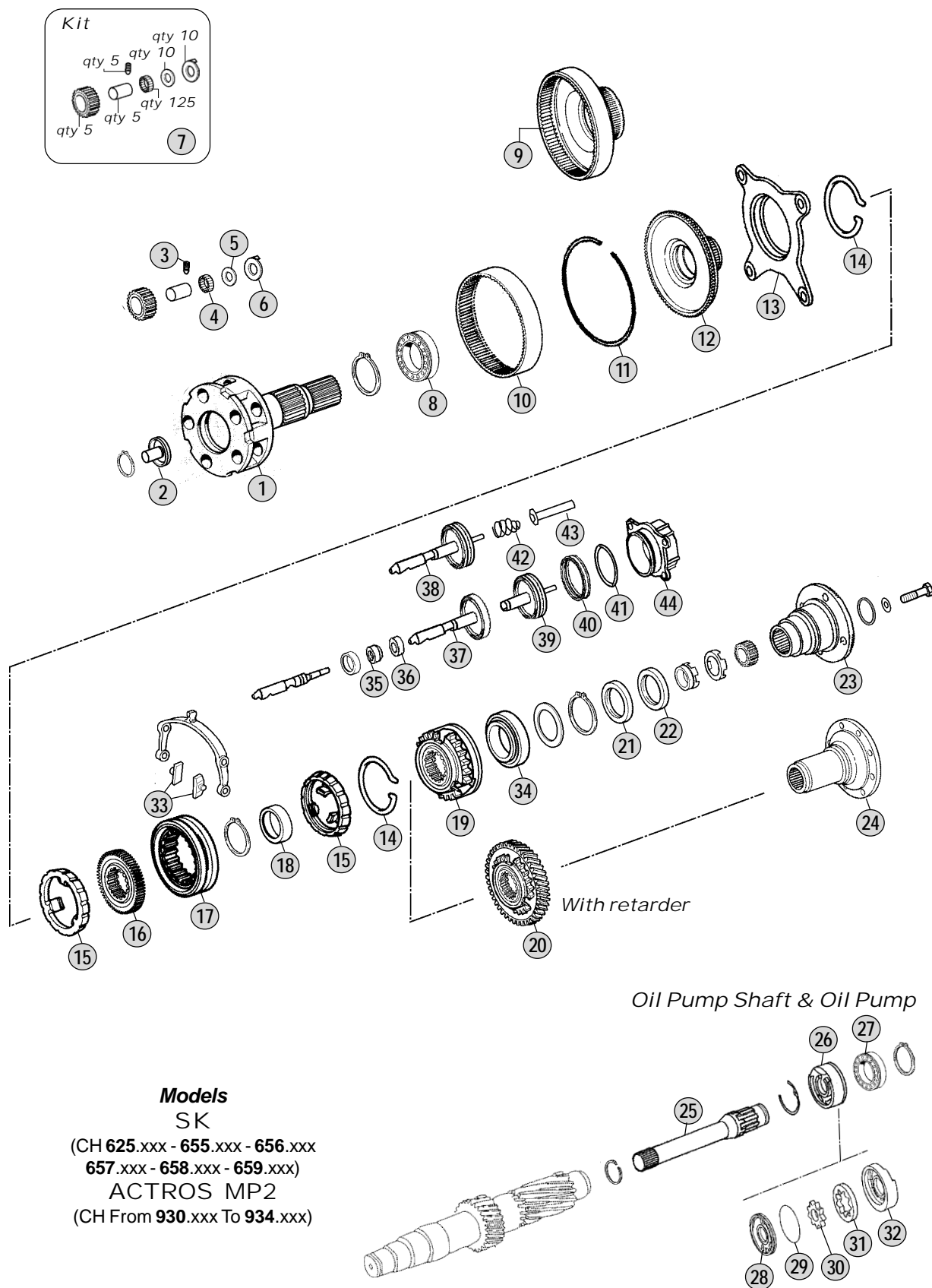
04 / 2011

**Table****0325**16 Speeds  
G230



Adattabile a : **MERCEDES**  
 Suitable To : **MERCEDES**

Modelli Cambio/ Gearbox Models  
**G230 (16 Speeds)**



**Models**

G230 - 16 / 14,2 - 0,83    **715.361**

Fig. no.	Rif. MB	Description	Q.ty	Note				
23	389 262 0945	Output Flange D.200 mm	1	For Model with VOITH Retarder	●			
24	387 264 1945	Output Flange D.198 mm	1	For Model with TELMA Retarder	●			
24	387 264 2045	Output Flange D.198 mm	1	For Model with TELMA Retarder	●			
24	945 262 0445	Output Flange D.200 mm	1	For Model with TELMA Retarder	●			
24	945 262 0545	Output Flange D.200 mm	1	For Model with TELMA Retarder	●			
25	389 269 1210	Oil Pump Shaft	1		●			
25	947 269 1010	Oil Pump Shaft	1		●			
25	947 269 1110	Oil Pump Shaft	1		●			
26	389 260 0690	Oil Pump	1	Old Type-Assembly	●			
27	004 981 9225	Bearing 45x75x16	1	With 101.123	●			
27	008 981 5425	Bearing	1	With 101.168/101.169	●			
28	389 269 2601	Oil Pump Cover	1	New Type-Disassembled	●			
29	029 997 5748	O Ring	1	New Type-Disassembled	●			
30	389 269 1406	Oil Pump Gear	1	New Type-Disassembled	●			
31	389 269 0706	Oil Pump Hub	1	New Type-Disassembled	●			
32	947 269 1001	Oil Pump Housing	1	New Type-Disassembled	●			
33	389 265 2449	Slide Fork	2	(A) BRASS	●			
33	M389 265 2449	Slide Fork	2	(A) IRON	●			
33	947 265 0349	Slide Fork	1	(B) BRASS	●			
33	M947 265 0349	Slide Fork	1	(B) IRON	●			
34	008 981 3025	Bearing 80x150x28	1		●			
34	007 981 8201	Bearing	1	For Model with TELMA Retarder	●			
35	000 267 0197	Oil Seal 22x32x8	1		●			
36	387 267 0650	Bush Th.8(34x22) mm	1		●			
37	930 260 2789	Cylinder	1		●			
37	930 260 2889	Cylinder	1		●			
38	945 267 2117	Cylinder	1		●			
38	930 260 2389	Cylinder	1		●			
39	389 267 1018	Cylinder	1		●			
40	024 997 8347	Oil Seal 77x90x17	1		●			
41	017 997 6545	Oil Seal	1		●			
41	020 997 8948	O Ring 3,0x89,5	1		●			
42	008 993 0801	Spring	1		●			
42	000 993 6705	Spring	1		●			
43	000 543 5785	Oil Tube	1		●			
43	000 543 5485	Oil Tube	1		●			
44	945 267 1319	Cylinder	1		●			
44	001 260 4963	Cylinder	1		●			
44	001 260 8463	Cylinder	1		●			

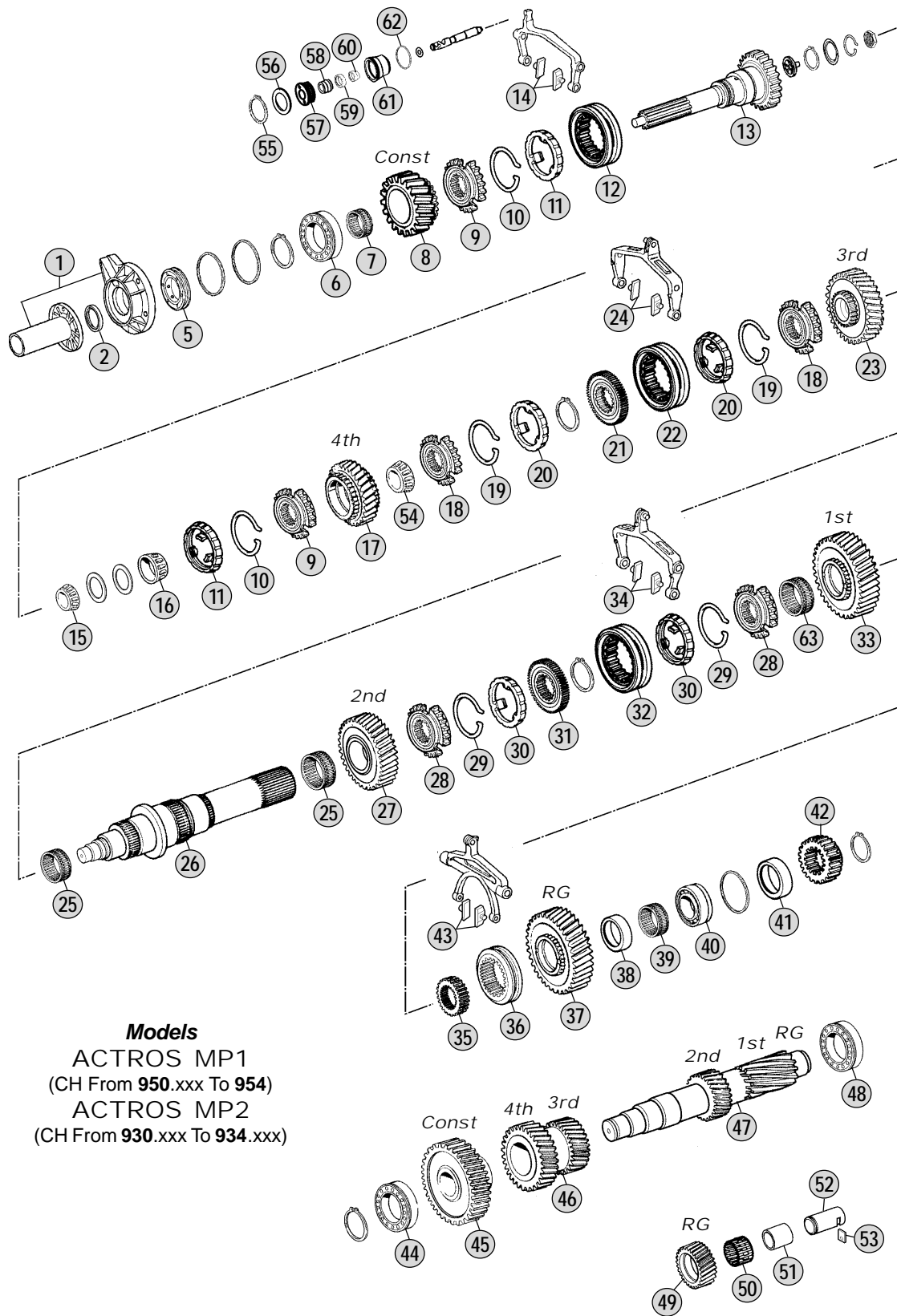
Notes(A) Up to gearbox 36686  
(B) From gearbox 36687Date

04 / 2011

Table**0325**

Adattabile a : **MERCEDES**  
 Suitable To :

Modelli Cambio/ Gearbox Models  
**G231 (16 Speeds)**



**Models**  
 ACTROS MP1  
 (CH From 950.xxx To 954)  
 ACTROS MP2  
 (CH From 930.xxx To 934.xxx)

Models

G231 - 16 715.513

Fig.	no.	Rif. MB	Description	Q.ty	Note	G231 - 16				
1		945 261 1118	Front Cover	1		●				
2		019 997 0547	Oil Seal 56x72x8	1		●				
5		389 261 0865	Diaphragm	1		●				
6		011 981 1305	Bearing 75x140x34,3	1		●				
7		018 981 6410	Needle Cage 84x90x39,5	1		●				
8		945 262 4410	Constant Gear 27 T	1		●				
9		945 262 0334	Synchronizer Cone	2	(A)	●				
9		945 262 3634	Synchronizer Cone	2	(B)	●				
10		387 262 1093	Elastic Ring	2		●				
11		389 262 0637	Synchronizer Ring	2	(A)	●				
11		389 262 3137	Synchronizer Ring	2	(A) LONG LIFE	●				
11		947 260 0545	Synchronizer Ring	2	(B)	●				
11		CEI 119300	Synchronizer Ring	2	(B) LONG LIFE	●				
12		945 262 0323	Sliding Sleeve	1	(A)	●				
12		M945 262 0323	Sliding Sleeve	1	(A) LONG LIFE	●				
12		945 262 6823	Sliding Sleeve	1	(B)	●				
12		M945 262 6823	Sliding Sleeve	1	(B) LONG LIFE	●				
13		945 262 4403	Input Shaft 60 T	1		●				
13		945 262 3201	Input Shaft	1		●				
13		945 262 6403	Input Shaft	1		●				
13		945 262 1901	Input Shaft	1	Old Type-With NMV	●				
13		389 262 7901	Input Shaft	1	Old Type-With NMV	●				
13		945 262 6003	Input Shaft	1	New Type-With NMV	●				
14		947 265 0349	Slide Fork	2	BRASS	●				
14		M947 265 0349	Slide Fork	2	IRON	●				
15		014 981 1905	Bearing 39,6x77,7x40	1		●				
16		015 981 7605	Bearing 50x85x41	1		●				
17		945 262 0510	Gear 4th Speed 29 T	1	Shot Peened Treatment	●				
17		945 262 2310	Gear 4th Speed 29 T	1	Shot Blasted Treatment	●				
18		945 262 0534	Synchronizer Cone	2	(A)	●				
18		945 262 5434	Synchronizer Cone	2	(B)	●				
19		387 262 0893	Elastic Ring	2		●				
20		389 262 0737	Synchronizer Ring	2	(A)	●				
20		389 262 3237	Synchronizer Ring	2	(A) LONG LIFE	●				
20		946 262 6137	Synchronizer Ring	2	(B)	●				
20		CEI 119299	Synchronizer Ring	2	(B) LONG LIFE	●				
21		389 262 4735	Synchronizer Hub	1		●				
22		945 262 0423	Sliding Sleeve	1	(A)	●				
22		M945 262 0423	Sliding Sleeve	1	(A) LONG LIFE	●				
22		945 262 6523	Sliding Sleeve	1	(B)	●				
22		M945 262 6523	Sliding Sleeve	1	(B) LONG LIFE	●				
23		945 262 3513	Gear 3rd Speed 34 T	1		●				
24		947 265 0349	Slide Fork	2	BRASS	●				
24		M947 265 0349	Slide Fork	2	IRON	●				
25		018 981 6610	Needle Cage K85x93x53ZWD	2		●				

Notes

(A) Up to gearbox 502735  
(B) From gearbox 502736

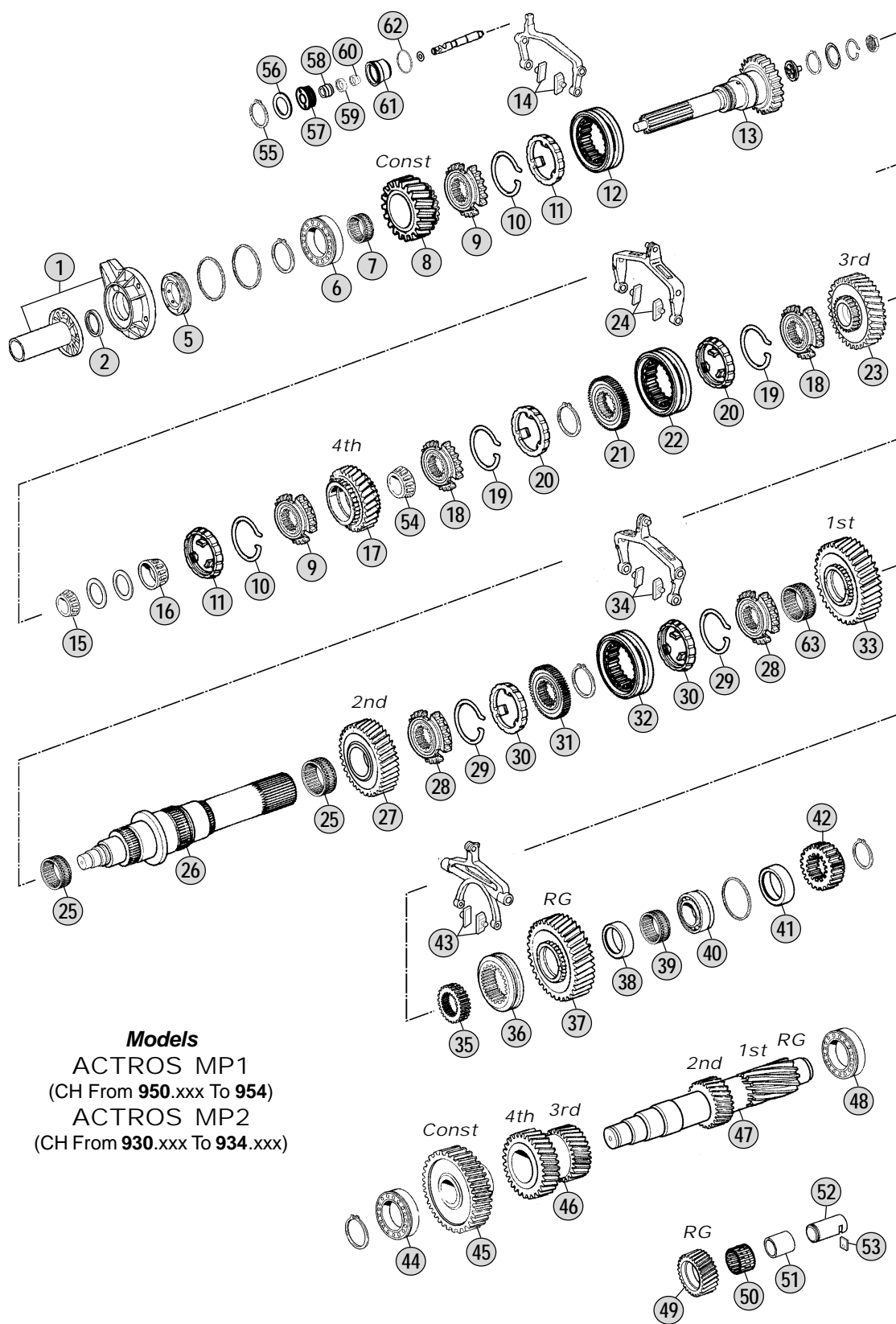
Date

04 / 2011

Table**0330**

Adattabile a : **MERCEDES**  
 Suitable To :

Modelli Cambio/ Gearbox Models  
**G231 (16 Speeds)**



**Models**

ACTROS MP1  
 (CH From 950.xxx To 954)  
 ACTROS MP2  
 (CH From 930.xxx To 934.xxx)

**Models**

G231 - 16 715.513

Fig.	no.	Rif. MB	Description	Q.ty	Note	G231 - 16				
26		945 262 3605	Main Shaft	1	Old Bearing	●				
26		945 262 4505	Main Shaft	1	New Bearing	●				
27		945 262 3112	Gear 2nd Speed 39 T	1		●				
28		945 262 0434	Synchronizer Cone	2	(A)	●				
28		945 262 5534	Synchronizer Cone	2	(B)	●				
29		387 262 0893	Elastic Ring	2		●				
30		389 262 0737	Synchronizer Ring	2	(A)	●				
30		389 262 3237	Synchronizer Ring	2	(A) LONG LIFE	●				
30		946 262 6137	Synchronizer Ring	2	(B)	●				
30		CEI 119299	Synchronizer Ring	2	(B) LONG LIFE	●				
31		389 262 2535	Synchronizer Hub	1		●				
32		945 262 0423	Sliding Sleeve	1	(A)	●				
32		M945 262 0423	Sliding Sleeve	1	(A) LONG LIFE	●				
32		945 262 6523	Sliding Sleeve	1	(B)	●				
32		M945 262 6523	Sliding Sleeve	1	(B) LONG LIFE	●				
33		389 262 2711	Gear 1st Speed 44 T	1		●				
34		947 265 0349	Slide Fork	2	BRASS	●				
34		M947 265 0349	Slide Fork	2	IRON	●				
35		389 262 0135	Synchronizer Hub	1	With Sleeve 154.224	●				
35		389 262 3935	Synchronizer Hub	1	With 154.223 / Old Type	●				
35		945 262 3835	Synchronizer Hub	1	With 154.223 / New Type	●				
36		389 262 1723	Sliding Sleeve	1		●				
36		389 262 1823	Sliding Sleeve	1		●				
37		945 262 3233	Reverse Gear 40 T	1	With 154.224	●				
37		945 262 3333	Reverse Gear 40 T	1	With 154.223 / Old Type	●				
37		945 262 4433	Reverse Gear 40 T	1	With 154.223 / New Type	●				
38		389 262 2550	Bush	1		●				
39		009 981 1510	Needle Cage K78x86x35ZW	1		●				
40		014 981 6105	Bearing 60x130x30	1		●				
41		389 262 3754	Spacer Th.18(74x60) mm	1		●				
42		945 262 0909	Sun Gear 25 T	1		●				
43		945 265 0149	Slide Fork	2		●				
44		014 981 1405	Bearing 50,8x100x35	1		●				
45		945 263 1110	Constant Gear 38 T	1		●				
46		945 263 1013	Double Gear 4th/3rd Sp.-34/27 T	1		●				
47		945 263 2902	Countershaft 21/16 T	1		●				
48		016 981 1205	Bearing 60x130x33,8	1		●				
49		389 263 1031	Reverse Gear 21 T	1		●				
50		012 981 8910	Needle Cage K42x50x51ZW	1		●				
51		389 263 0850	Bush Th.18(74x60) mm	1		●				
52		976 263 0030	Reverse Shaft	1		●				
53		945 263 0041	Key	1		●				
54		CEI 130547	Bearing 55x24	1		●				
55		006 994 4241	Lock Ring	1		●				
56		389 262 2555	Spacer Th.0,70(64,7x50) mm	1		●				

## Notes

(A) Up to gearbox 502735  
(B) From gearbox 502736

## Date

04 / 2011

## Table

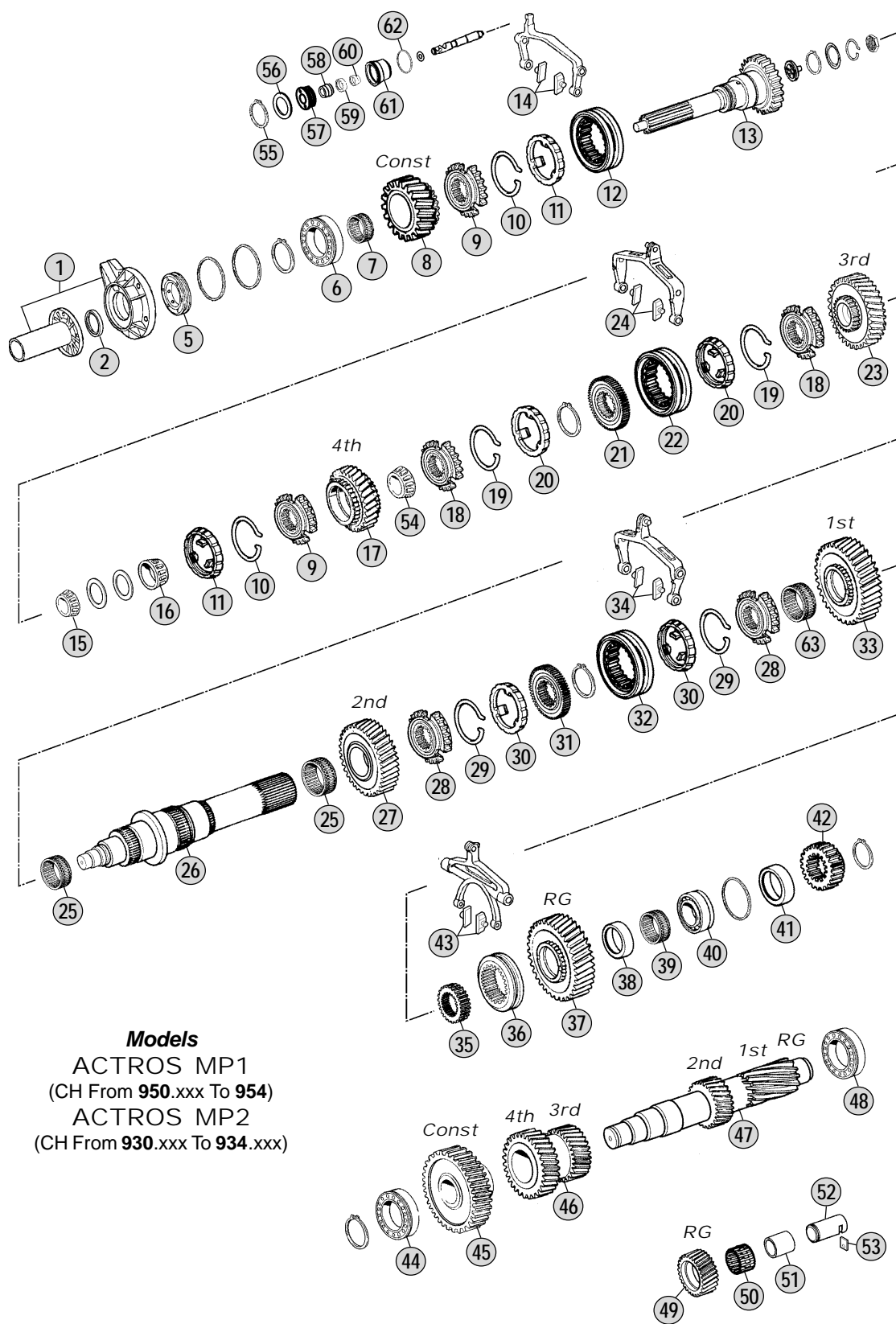
0330

16 Speeds  
G231



Adattabile a : **MERCEDES**  
 Suitable To :

Modelli Cambio/ Gearbox Models  
**G231 (16 Speeds)**



**Models**

G231 - 16 **715.513**

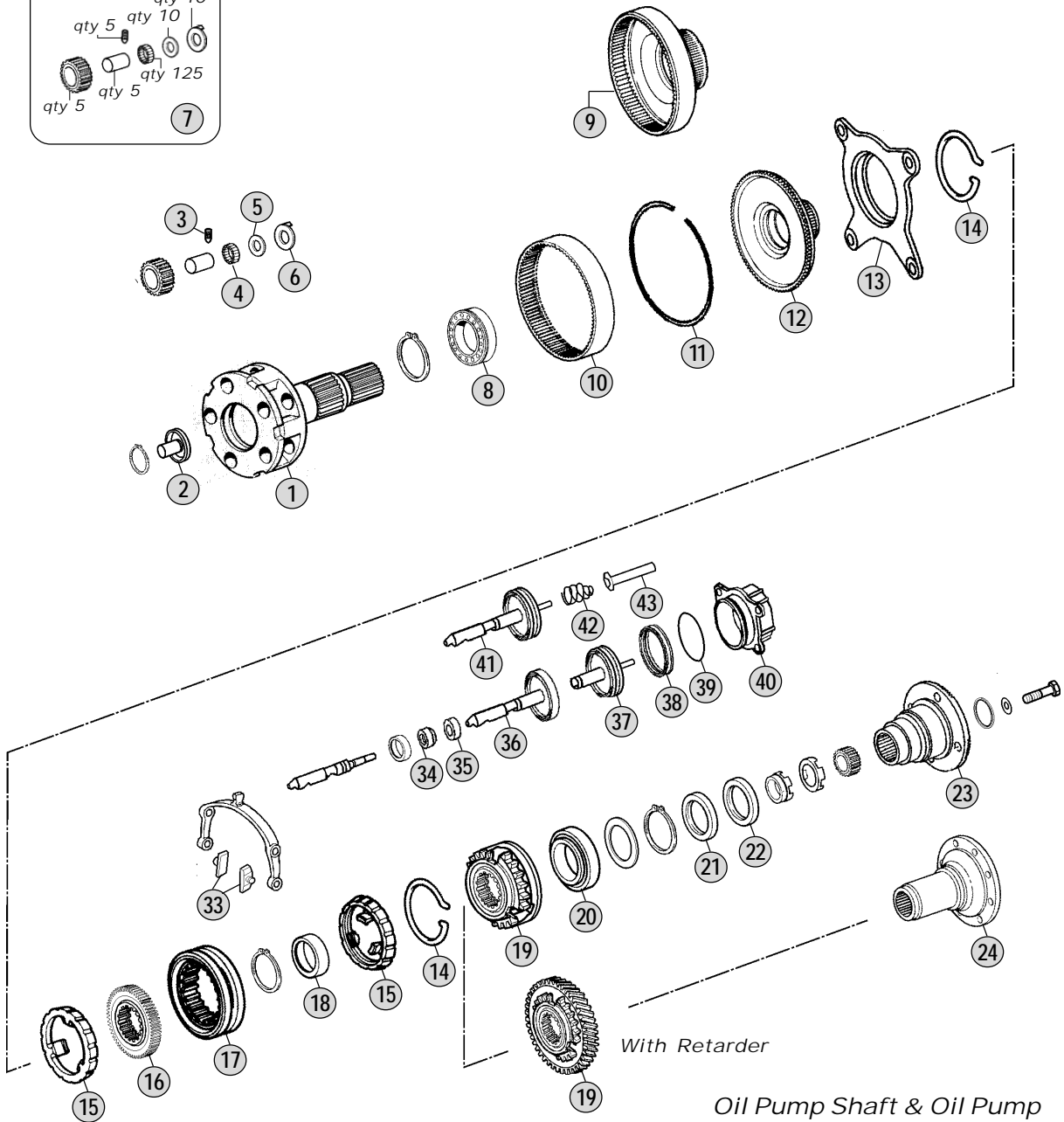


Adattabile a : **MERCEDES**  
Suitable To :

**Kit**

qty 5   qty 10  
qty 5   qty 10  
qty 5   qty 125

7



With Retarder

Oil Pump Shaft & Oil Pump

**Models**  
 ACTROS MP1  
 (CH From 950.xxx To 954)  
 ACTROS MP2  
 (CH From 930.xxx To 934.xxx)

**Models**

G231 - 16 715.513

Fig.	no.	Rif. MB	Description	Q.ty	Note	G231 - 16				
1		946 260 3661	Planetary Carrier (Empty)	1	Empty	●				
1		945 260 4661	Planetary Carrier (Complete)	1	Complete	●				
2		945 269 0834	Oil Tube	1		●				
3		000914 006109	Stud 6x14 mm	5		●				
4		000 981 4186	Needle 5x39,8	125		●				
5		389 262 0162	Spacer	10		●				
6		389 262 1462	Thrust Washer	10		●				
7		655 260 0197	Repair Kit	1		●				
8		008 981 1325	Bearing 90x130x14	1		●				
9		945 262 0108	Crown Gear 85 T D.269 mm	1	ALT-1 pc.Fig.10+Fig.11+Fig.12	●				
10		945 262 0208	Crown Gear 85 T D.269-H 70mm	1	ALT-1 pc.Fig.9 (Crown Assy)	●				
10		945 262 0808	Crown Gear 85 T D.271-H 70mm	1	ALT-1 pc.Fig.9 (Crown Assy)	●				
11		389 262 0773	Lock Ring	1		●				
12		389 262 1425	Carrier Hub 85 T	1	ALT_1 pc.Fig.9 (Crown Assy)	●				
13		389 260 2036	Synchronizer Flange	1	(A)	●				
13		947 260 3036	Synchronizer Flange	1	(B)	●				
14		389 262 0293	Elastic Ring	2		●				
15		389 262 0537	Synchronizer Ring	2	(A)	●				
15		389 262 3337	Synchronizer Ring	2	(A) LONG LIFE	●				
15		947 260 0945	Synchronizer Ring	2	(B)	●				
15		CEI 119298	Synchronizer Ring	2	(B) LONG LIFE	●				
16		389 262 2035	Synchronizer Hub	1		●				
17		945 262 6623	Sliding Sleeve	1	(A)	●				
17		M945 262 6623	Sliding Sleeve	1	(A) LONG LIFE	●				
17		945 262 6923	Sliding Sleeve	1	(B)	●				
17		M945 262 6923	Sliding Sleeve	1	(B) LONG LIFE	●				
18		389 262 0251	Bush	1		●				
19		389 262 9234	Synchronizer Cone	1	(A)	●				
19		945 262 3834	Synchronizer Cone	1	(B)	●				
19		389 264 0730	Synchronizer Cone W/RET.63 T	1	(A) With Retarder	●				
19		945 264 0520	Synchronizer Cone W/RET.63 T	1	(B) With Retarder	●				
19		930 264 0320	Gear W/RET. 64 T	1	(B) With Retarder	●				
20		008 981 3025	Bearing 80x150x28	1		●				
20		007 981 8201	Bearing	1	For Model with TELMA Retarder	●				
21		013 997 7247	Oil Seal 95x115x13	1		●				
21		013 997 7347	Oil Seal 95x115x13	1	For Model with VOITH Retarder	●				
21		015 997 6447	Oil Seal	1	For Model with TELMA Retarder	●				
22		013 997 7347	Oil Seal 95x115x13	1		●				
22		017 997 1247	Oil Seal	1	For Model with TELMA Retarder	●				
23		945 262 0045	Output Flange D.180 mm	1		●				
23		930 262 0045	Output Flange D.180 mm	1		●				
23		930 262 0145	Output Flange D.200 mm	1		●				
23		389 262 0545	Output Flange D.180 mm	1	For Model with VOITH Retarde	●				
24		387 264 1945	Output Flange D.198 mm	1	For Model with TELMA Retarder	●				
24		387 264 2045	Output Flange D.198 mm	1	For Model with TELMA Retarder	●				

## Notes

- (A) Up to gearbox 366886  
(B) From gearbox 366887

## Date

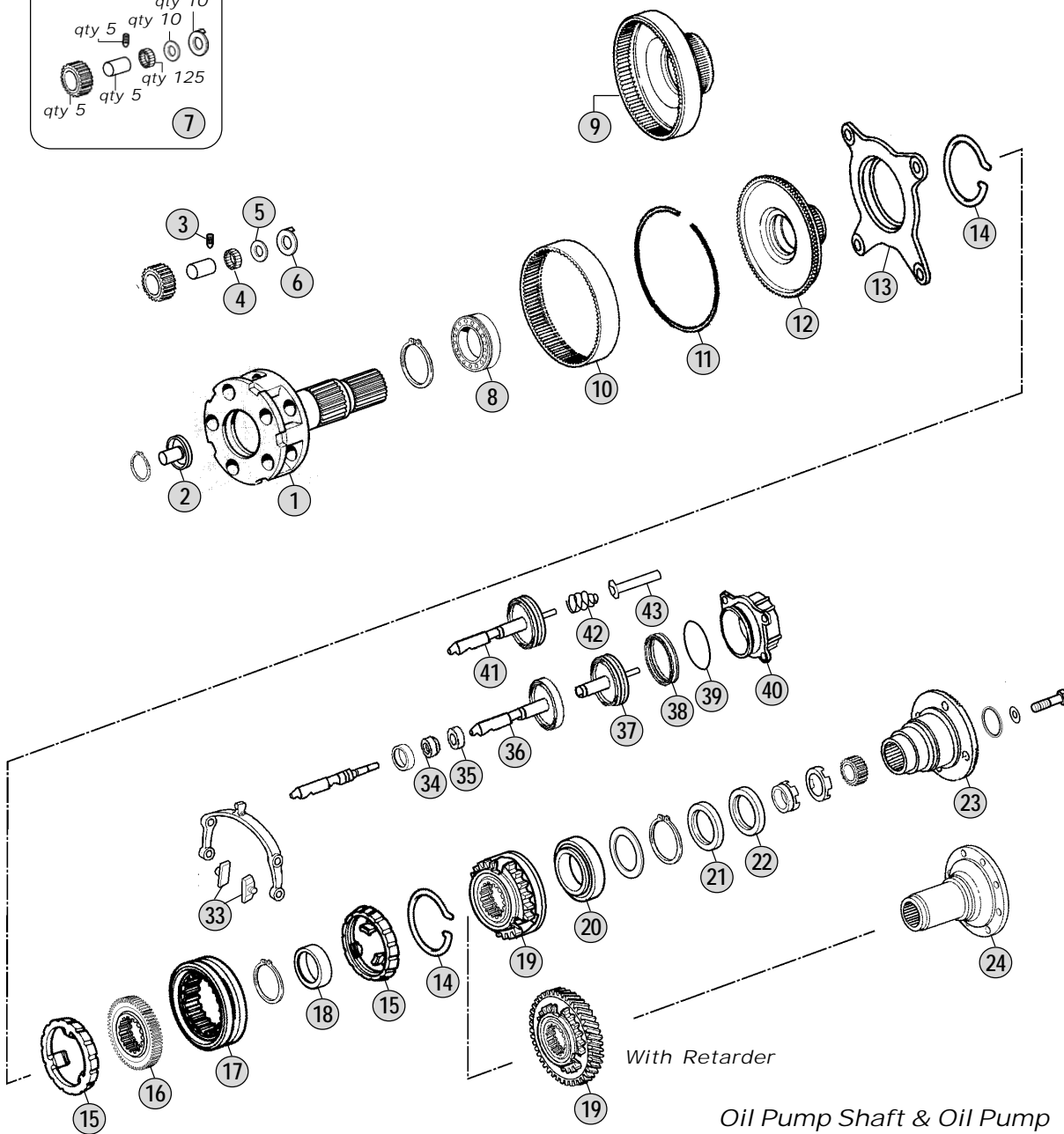
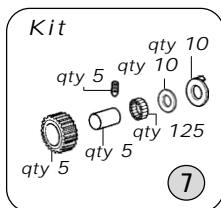
04 / 2011

## Table

0335

16 Speeds  
G231

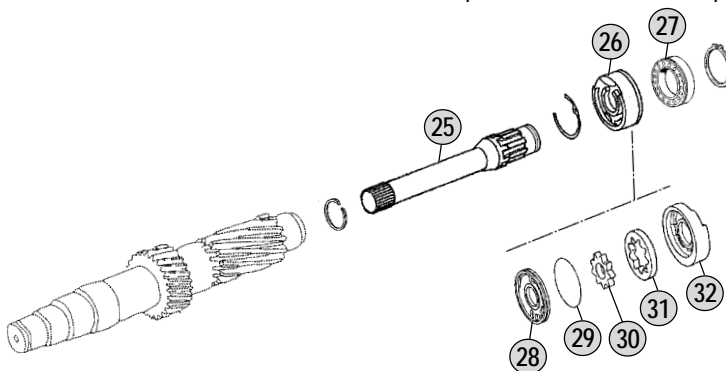
Adattabile a : **MERCEDES**  
 Suitable To :



With Retarder

Oil Pump Shaft & Oil Pump

**Models**  
 ACTROS MP1  
 (CH From 950.xxx To 954)  
 ACTROS MP2  
 (CH From 930.xxx To 934.xxx)



**Models**

G231 - 16 **715.513**





Adattabile a : **MERCEDES**  
Suitable To :

**GO240** (6 Speeds)

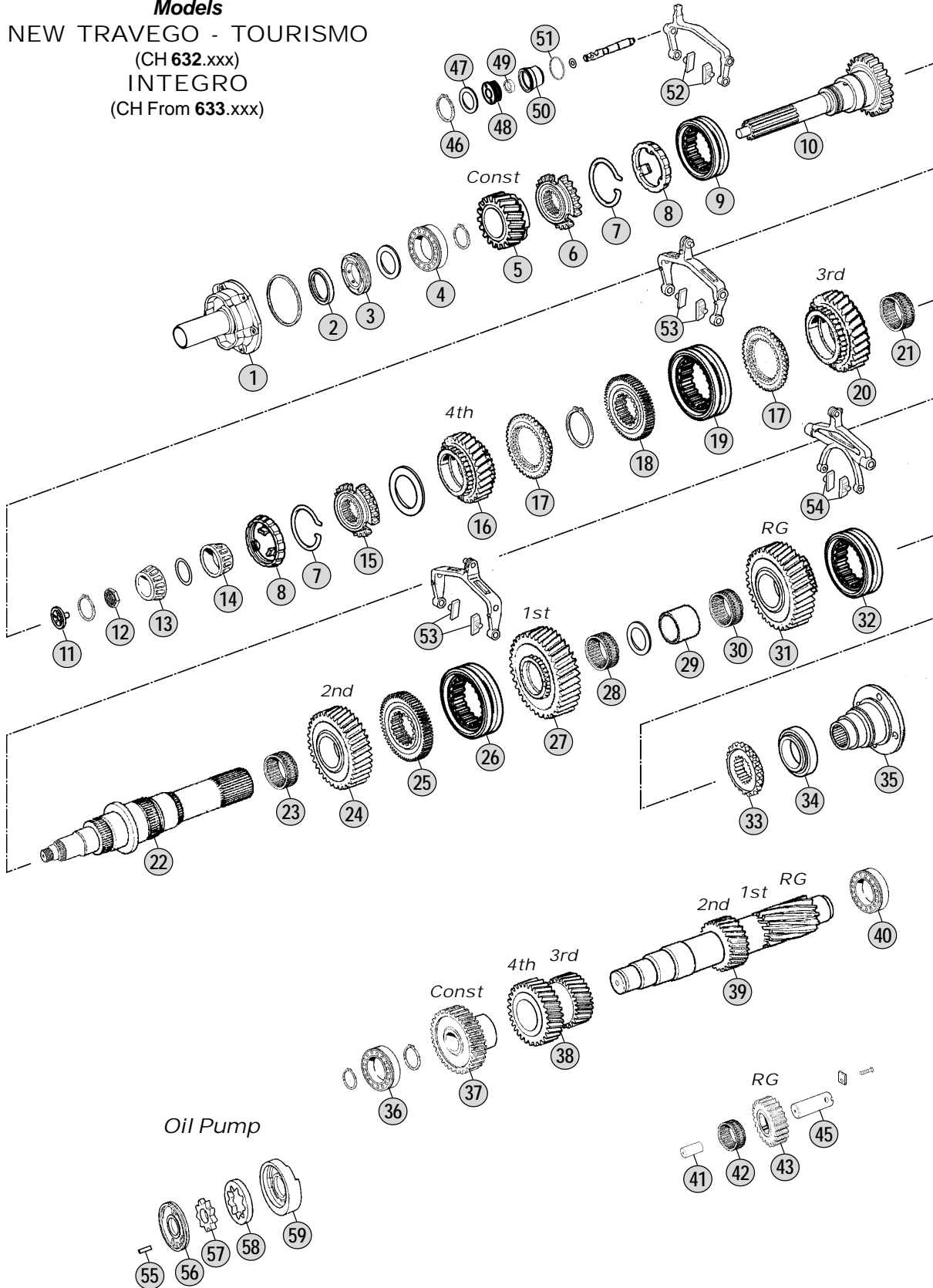
**Models**

**NEW TRAVEGO - TOURISMO**

(CH 632.xxx)

**INTEGRO**

(CH From 633.xxx)



**Models**

GO240 - 6 / 6,5-0,8 715.160

Fig.	no.	Rif. MB	Description	Q.ty	Note	GO240-66-5-0,8				
1		656 261 0018	Front Cover	1		●				
2		019 997 0547	Oil Seal 56x72x8	1		●				
3		389 261 0865	Diaphragm	1		●				
4		011 981 1305	Bearing 75x140x34,3	1		●				
5		656 262 0310	Constant Gear	1		●				
6		930 262 0034	Synchronizer Cone	1		●				
7		387 262 0893	Elastic Ring	2		●				
8		946 262 6137	Synchronizer Ring	2		●				
8		CEI 119299	Synchronizer Ring	2	LONG LIFE	●				
9		945 262 6523	Sliding Sleeve	1		●				
9		M945 262 6523	Sliding Sleeve	1	LONG LIFE	●				
10		656 262 2582	Input Shaft	1		●				
11		976 269 0034	Oil Collector	1		●				
12		945 990 0250	Nut M30x1,5	1		●				
13		015 981 1705	Bearing	1		●				
14		015 981 7605	Bearing 50x85x41	1		●				
15		656 262 0034	Synchronizer Cone	1		●				
16		656 262 0910	Gear 4th Speed	1		●				
17		656 262 0134	Synchronizer Cone	2		●				
18		656 262 0135	Synchronizer Hub	1		●				
19		656 262 0023	Sliding Sleeve	1		●				
20		656 262 0117	Gear 3rd Speed	1		●				
21		019 981 9210	Needle Cage	1		●				
22		656 262 0605	Main Shaft	1		●				
23		022 981 8410	Needle Cage	1		●				
24		656 262 0112	Gear 2nd Speed	1		●				
25		656 262 0035	Synchronizer Hub	1		●				
26		656 262 0023	Sliding Sleeve	1		●				
27		656 262 0111	Gear 1st Speed	1		●				
28		022 981 8510	Needle Cage	1		●				
29		656 262 0050	Bush	1		●				
30		022 981 8510	Needle Cage	1		●				
31		656 262 0133	Reverse Gear	1		●				
32		389 262 1823	Sliding Sleeve	1		●				
33		389 262 4235	Synchronizer Hub	1		●				
34		012 981 3705	Bearing 65x140x13,5	1		●				
35		629 262 0045	Output Flange D.150 mm	1		●				
36		012 981 9605	Bearing	1		●				
37		656 263 0610	Constant Gear	1		●				
38		656 263 0410	Double Gear 3rd/4th Speed	1		●				
39		656 263 0102	Countershaft	1		●				
40		012 981 3605	Bearing 45x110x12	1		●				
41		389 263 0650	Bush	1		●				
42		015 981 4110	Needle Cage	1		●				
43		656 263 0131	Reverse Gear	1		●				

Notes

Date

04 / 2011

Table

**0340**

Adattabile a : **MERCEDES**  
Suitable To :

**GO240 (6 Speeds)**

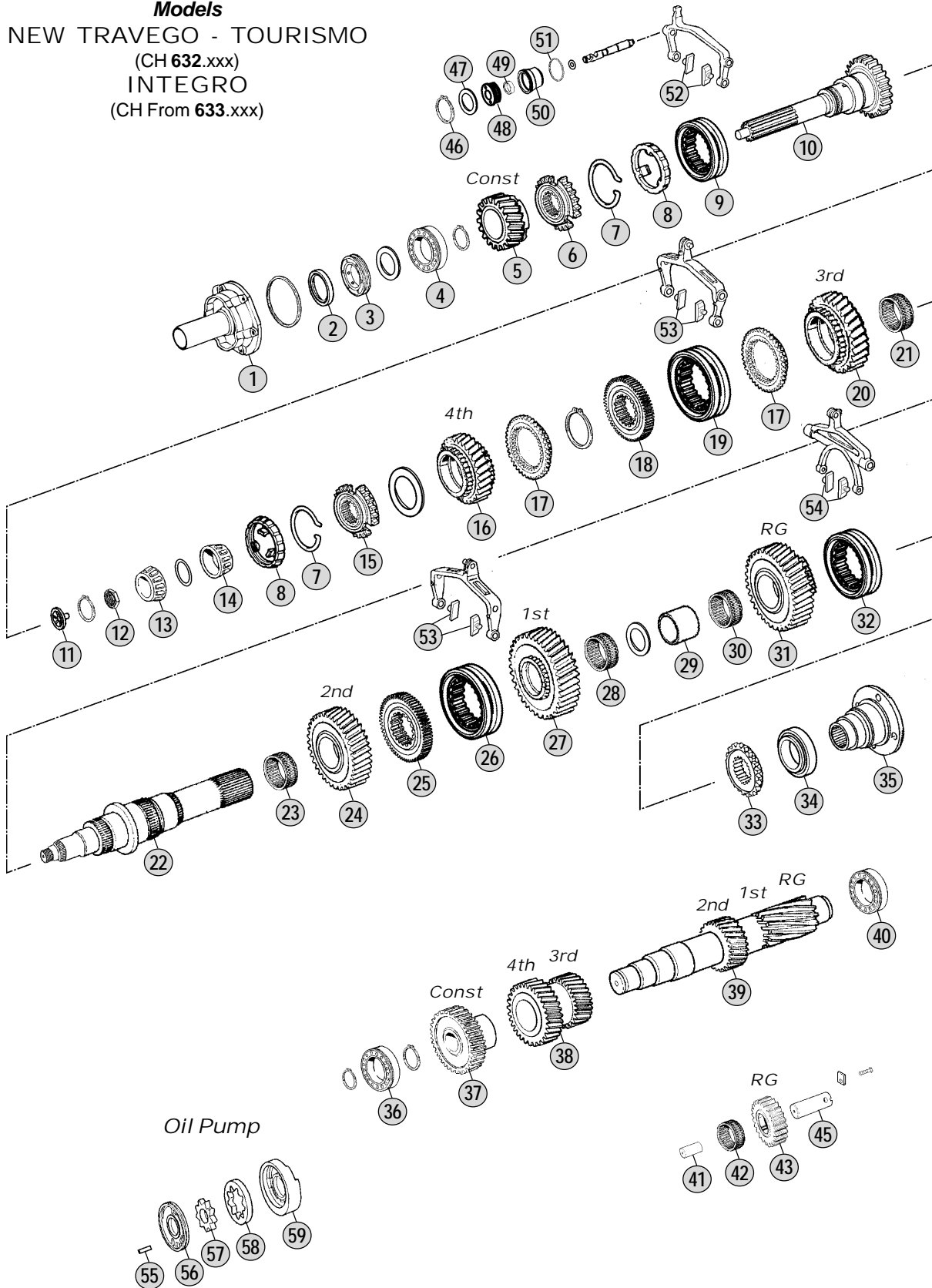
**Models**

**NEW TRAVEGO - TOURISMO**

(CH 632.xxx)

**INTEGRO**

(CH From 633.xxx)



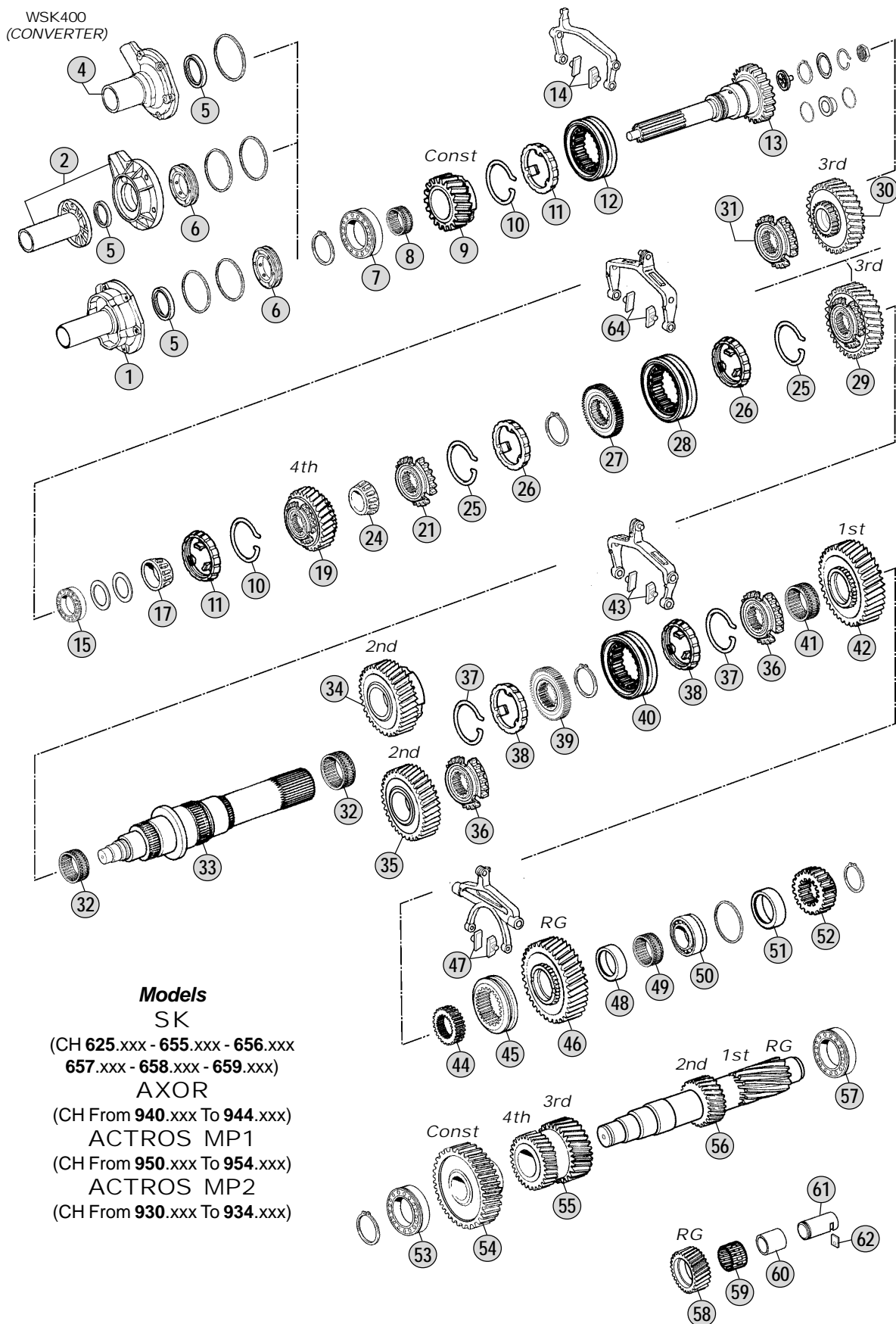
**Models**

GO240 - 6 / 6,5-0,8 **715.160**



Adattabile a : **MERCEDES**  
 Suitable To :

Modelli Cambio/ Gearbox Models  
**G240 (16 Speeds)**



**Models**

G240 - 16 / 11,7 - 0,69 **715.260(EPS)-261-400-410-411-520-521**

Fig.	no.	Rif. MB	Description	Q.ty	Note	G240-16/11,7-0,69				
1		389 261 4518	Front Cover	1		●				
2		945 261 1118	Front Cover	1	Latest Models	●				
4		945 261 1218	Front Cover	1	With WSK400-Up to 6/99	●				
4		945 261 2818	Front Cover	1	With WSK400-From 6/99	●				
5		019 997 0547	Oil Seal 56x72x8	1		●				
6		389 261 0865	Diaphragm	1		●				
7		011 981 1305	Bearing 75x140x34,3	1		●				
8		016 981 0010	Needle Cage K89x97x40ZW	1		●				
9		945 262 4110	Constant Gear 32 T	1	(C)	●				
9		945 262 7517	Constant Gear 32 T	1	(D)	●				
10		387 262 1093	Elastic Ring	2		●				
11		389 262 0637	Synchronizer Ring	2	(C)	●				
11		389 262 3137	Synchronizer Ring	2	(C) LONG LIFE	●				
11		947 260 0545	Synchronizer Ring	2	(D)	●				
11		CEI 119300	Synchronizer Ring	2	(D) LONG LIFE	●				
12		945 262 0323	Sliding Sleeve	1	(C)	●				
12		M945 262 0323	Sliding Sleeve	1	(C) LONG LIFE	●				
12		945 262 6823	Sliding Sleeve	1	(D)	●				
12		M945 262 6823	Sliding Sleeve	1	(D) LONG LIFE	●				
13		389 262 6601	Input Shaft 60 T	1	715.260-261	●				
13		389 262 8301	Input Shaft 60 T	1	715.520-521	●				
13		945 262 4403	Input Shaft 60 T	1	With WSK400/714.520-521	●				
14		947 265 0349	Slide Fork	2	BRASS	●				
14		M947 265 0349	Slide Fork	2	IRON	●				
15		015 981 1605	Bearing 39,65x82,3x41	1		●				
17		017 981 5105	Needle Bearing 50x41,3	1		●				
19		389 262 3810	Gear 4th Speed 36 T	1	(A)**	●				
19		389 262 7910	Gear 4th Speed 36 T	1	(BC)	●				
19		945 262 5617	Gear 4th Speed 36 T	1	(D)	●				
21		945 262 0534	Synchronizer Cone	1	(BC)	●				
21		945 262 5434	Synchronizer Cone	1	(D)	●				
24		015 981 6205	Bearing 55x96,3x29,8	1		●				
25		387 262 1093	Elastic Ring	2	(A)	●				
25		387 262 0893	Elastic Ring	2	(BCD)	●				
26		389 262 0637	Synchronizer Ring	2	(A)	●				
26		389 262 3137	Synchronizer Ring	2	(A) LONG LIFE	●				
26		389 262 0737	Synchronizer Ring	2	(BC)	●				
26		389 262 3237	Synchronizer Ring	2	(BC) LONG LIFE	●				
26		946 262 6137	Synchronizer Ring	2	(D)	●				
26		CEI 119299	Synchronizer Ring	2	(D) LONG LIFE	●				
27		389 262 2835	Synchronizer Hub	1	(A)	●				
27		389 262 4735	Synchronizer Hub	1	(BCD)	●				
28		945 262 0323	Sliding Sleeve	1	(A)	●				
28		M945 262 0323	Sliding Sleeve	1	(A) LONG LIFE	●				
28		945 262 0423	Sliding Sleeve	1	(BC)	●				

**Notes**

(A) Up to gearbox 433517  
 (C) Up to gearbox 502734  
 (\*\*) This Gear is assy with flanges (Fig 21)

(B) From gearbox 433518  
 (D) From gearbox 502735

**Date**

02 / 2011

**Table****0350**



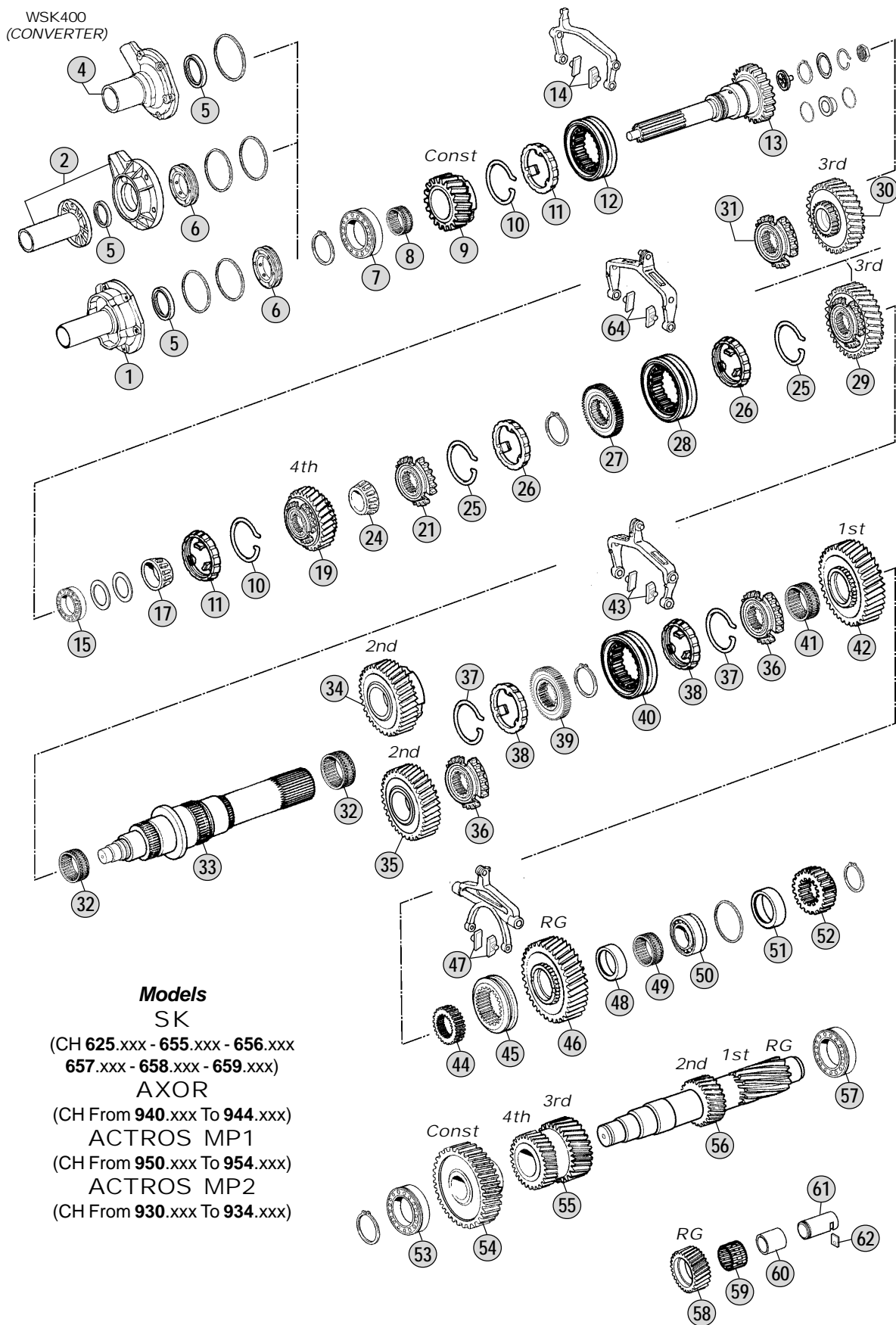
Adattabile a : **MERCEDES**  
Suitable To :**Models**G240 - 16 / 11,7 - 0,69 **715.260(EPS)-261-400-410-411-520-521**

Fig.	no.	Rif. MB	Description	Q.ty	Note	G240-16/11,7-0,69				
28		M945 262 0423	Sliding Sleeve	1	(BC) LONG LIFE	●				
28		945 262 6523	Sliding Sleeve	1	(D)	●				
28		M945 262 6523	Sliding Sleeve	1	(D) LONG LIFE	●				
29		389 260 5719	Gear 3rd Speed 29 T	1	(A)	●				
30		389 262 3713	Gear 3rd Speed 29 T	1	(BCD)	●				
31		945 262 0534	Synchronizer Cone	1	(BC)	●				
31		945 262 5434	Synchronizer Cone	1	(D)	●				
32		018 981 6610	Needle Cage K85x93x53ZWD	2		●				
33		389 262 2405	Main Shaft	1	(A)	●				
33		945 262 3605	Main Shaft	1	(BCD) Old Bearing	●				
33		945 262 4505	Main Shaft	1	(BCD) New Bearing	●				
34		389 260 4919	Gear 2nd Speed 39 T	1	Old Repl.by 1pc.Fig.35+1pc.Fig.36	●				
35		945 262 3112	Gear 2nd Speed 39 T	1		●				
36		945 262 0434	Synchronizer Cone	2	(C)	●				
36		945 262 5534	Synchronizer Cone	2	(D)	●				
37		387 262 0893	Elastic Ring	2		●				
38		389 262 0737	Synchronizer Ring	2	(C)	●				
38		389 262 3237	Synchronizer Ring	2	(C) LONG LIFE	●				
38		946 262 6137	Synchronizer Ring	2	(D)	●				
38		CEI 119299	Synchronizer Ring	2	(D) LONG LIFE	●				
39		389 262 2535	Synchronizer Hub	1		●				
40		945 262 0423	Sliding Sleeve	1	(C)	●				
40		M945 262 0423	Sliding Sleeve	1	(C) LONG LIFE	●				
40		945 262 6523	Sliding Sleeve	1	(D)	●				
40		M945 262 6523	Sliding Sleeve	1	(D) LONG LIFE	●				
41		008 981 8310	Needle Cage 75x83x55W	1	Old Type with 103.149/103.150	●				
41		018 981 8110	Needle Cage 75x83x48	1	New Type with 103.188	●				
42		389 262 2711	Gear 1st Speed 44 T	1		●				
43		947 265 0349	Slide Fork	2	BRASS	●				
43		M947 265 0349	Slide Fork	2	IRON	●				
44		389 262 0135	Synchronizer Hub	1	With 154.224	●				
44		389 262 3935	Synchronizer Hub	1	With 154.223 / Old Type	●				
44		945 262 3835	Synchronizer Hub	1	With 154.223 / New Type	●				
45		389 262 1723	Sliding Sleeve	1		●				
45		389 262 1823	Sliding Sleeve	1		●				
46		945 262 3233	Reverse Gear 40 T	1	With 154.224	●				
46		389 262 1733	Reverse Gear 40 T	1	With 154.224	●				
46		945 262 3333	Reverse Gear 40 T	1	With 154.223 / Old Type	●				
46		945 262 4433	Reverse Gear 40 T	1	With 154.223 / New Type	●				
47		945 265 0149	Slide Fork	2		●				
48		389 262 2550	Bush	1		●				
49		009 981 1510	Needle Cage K78x86x35ZW	1		●				
50		014 981 6105	Bearing 60x130x30	1		●				
51		389 262 3754	Spacer Th.18(74x60) mm	1		●				
52		945 262 0909	Sun Gear 25 T	1		●				

**Notes**

(A) Up to gearbox 433517  
 (C) Up to gearbox 502734  
 (\*\*) This Gear is assy with flanges (Fig 21)

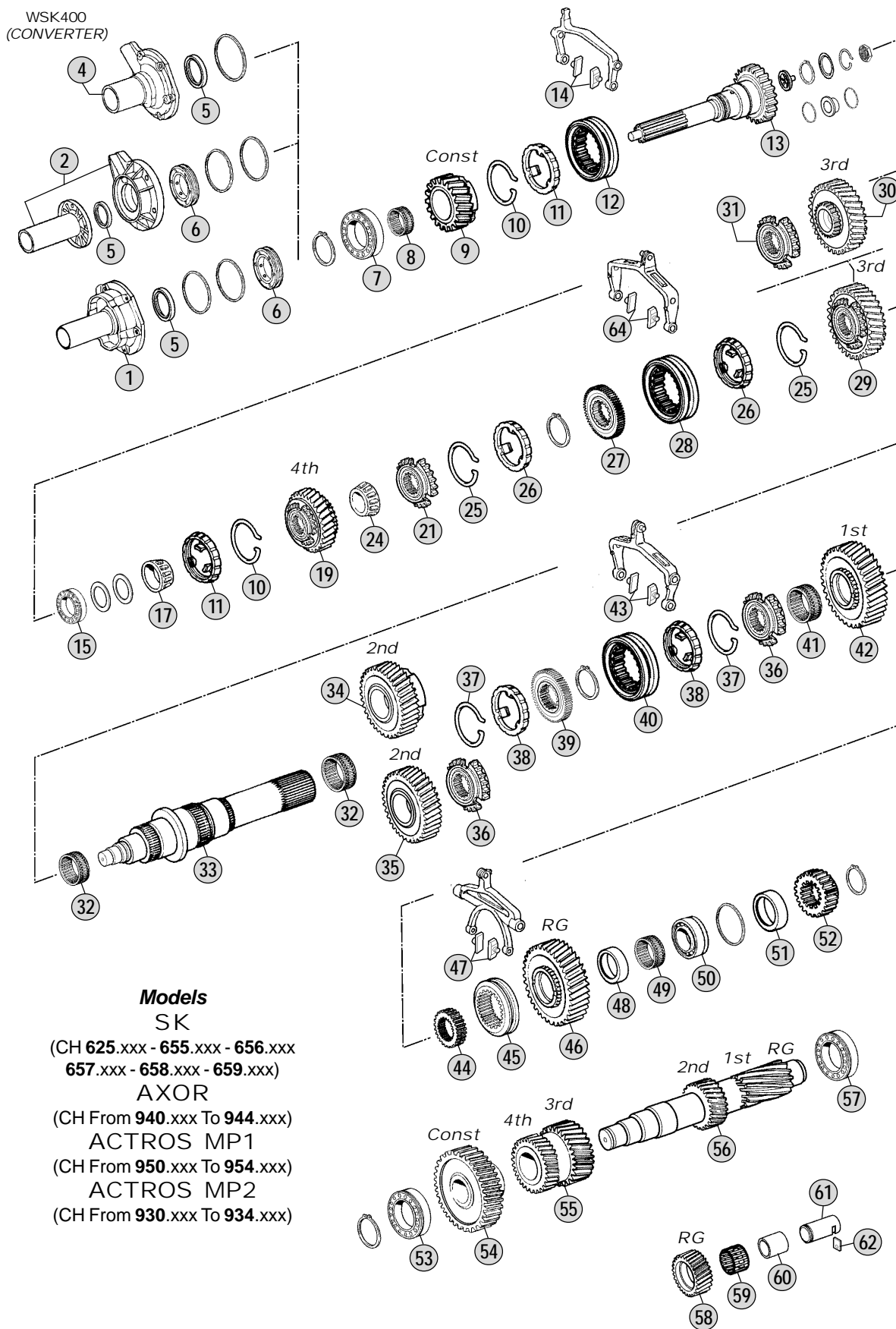
(B) From gearbox 433518  
 (D) From gearbox 502735

**Date**

02 / 2011

**Table****0350**

Adattabile a : **MERCEDES**  
Suitable To :



**Models**

SK

(CH 625.xxx - 655.xxx - 656.xxx  
657.xxx - 658.xxx - 659.xxx)

AXOR

(CH From 940.xxx To 944.xxx)

ACTROS MP1

(CH From 950.xxx To 954.xxx)

ACTROS MP2

(CH From 930.xxx To 934.xxx)

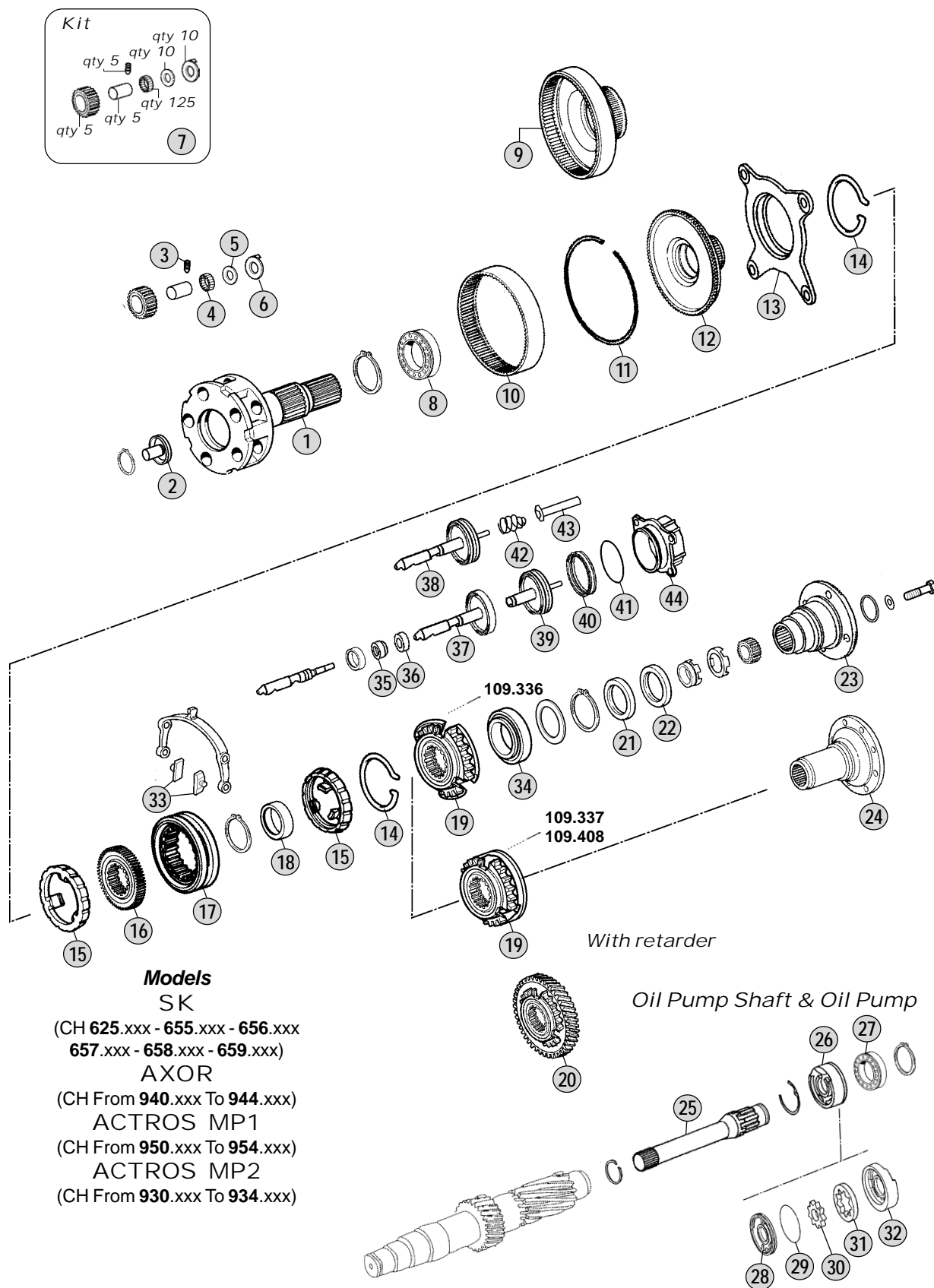
**Models**

G240 - 16 / 11,7 - 0,69 **715.260(EPS)-261-400-410-411-520-521**



Adattabile a : **MERCEDES**  
 Suitable To :

Modelli Cambio/ Gearbox Models  
**G240 (16 Speeds)**



**Models**

G240 - 16 / 11,7 - 0,69 **715.260(EPS)-261-400-410-411-520-521**

Fig.	no.	Rif. MB	Description	Q.ty	Note	G240-16/11,7-0,69				
1		389 260 8661	Planetary Carrier (Empty)	1	(1)	Empty-Old Type	●			
1		946 260 3661	Planetary Carrier (Empty)	1		Empty	●			
1		945 260 4661	Planetary Carrier (Complete)	1		Complete	●			
2		945 269 0834	Oil Tube	1			●			
3		000914 006109	Stud 6x14 mm	5			●			
4		000 981 4186	Needle 5x39,8	125			●			
5		389 262 0162	Spacer	10			●			
6		389 262 1462	Thrust Washer	10			●			
7		655 260 0197	Repair Kit	1			●			
8		008 981 1325	Bearing 90x130x14	1			●			
9		945 262 0108	Crown Gear 85 T D.269 mm	1	ALT-1 pc.Fig.10+Fig.11+Fig.12		●			
10		389 262 0708	Crown Gear 85 T D.269-H 64mm	1	ALT-1 pc.Fig.9 (Crown Assy)		●			
10		945 262 0208	Crown Gear 85 T D.269-H 70mm	1	ALT-1 pc.Fig.9 (Crown Assy)		●			
10		945 262 0808	Crown Gear 85 T D.271-H 70mm	1	ALT-1 pc.Fig.9 (Crown Assy)		●			
11		389 262 0773	Lock Ring	1			●			
12		389 262 1425	Carrier Hub 85 T	1	ALT-1 pc.Fig.9 (Crown Assy)		●			
13		389 260 2036	Synchronizer Flange	1	(A)		●			
13		947 260 3036	Synchronizer Flange	1	(B)		●			
14		389 262 0293	Elastic Ring	2			●			
15		389 262 0537	Synchronizer Ring	2	(A)		●			
15		389 262 3337	Synchronizer Ring	2	(A) LONG LIFE		●			
15		947 260 0945	Synchronizer Ring	2	(B)		●			
15		CEI 119298	Synchronizer Ring	2	(B) LONG LIFE		●			
16		389 262 2035	Synchronizer Hub	1			●			
17		945 262 6623	Sliding Sleeve	1	(A)		●			
17		M945 262 6623	Sliding Sleeve	1	(A) LONG LIFE		●			
17		945 262 6923	Sliding Sleeve	1	(B)		●			
17		M945 262 6923	Sliding Sleeve	1	(B) LONG LIFE		●			
18		389 262 0251	Bush	1			●			
19		389 262 4434	Synchronizer Cone GP	1	(A)		●			
19		389 262 9234	Synchronizer Cone	1	(A)		●			
19		945 262 3834	Synchronizer Cone	1	(B)		●			
20		389 264 0730	Synchronizer Cone W/RET.63 T	1	(A) With Retarder		●			
20		930 264 0220	Synchronizer Cone W/RET.	1	(A) With Retarder		●			
20		945 264 0420	Synchronizer Cone W/RET.59 T	1	(B) With Retarder		●			
20		945 264 0520	Synchronizer Cone W/RET.63 T	1	(B) With Retarder		●			
20		945 264 0620	Synchronizer Cone W/RET.59 T	1	(B) With Retarder		●			
20		930 264 0420	Gear W/RET. 59 T	1	(B) With Retarder		●			
21		013 997 7247	Oil Seal 95x115x13	1			●			
21		013 997 7347	Oil Seal 95x115x13	1	For Model with VOITH Retarder		●			
21		015 997 6447	Oil Seal	1	For Model with TELMA Retarder		●			
22		013 997 7347	Oil Seal 95x115x13	1			●			
22		017 997 1247	Oil Seal	1	For Model with TELMA Retarder		●			
23		945 262 0045	Output Flange D.180 mm	1			●			
23		930 262 0045	Output Flange D.180 mm	1			●			

**Notes**

- (1) Old Type Planet carrier uses old bearing type.  
The old type is replaced by : 1 pc 190.337 + 1 pc 130.564  
(A) Up to gearbox 36686  
(B) From gearbox 36687

**Date**

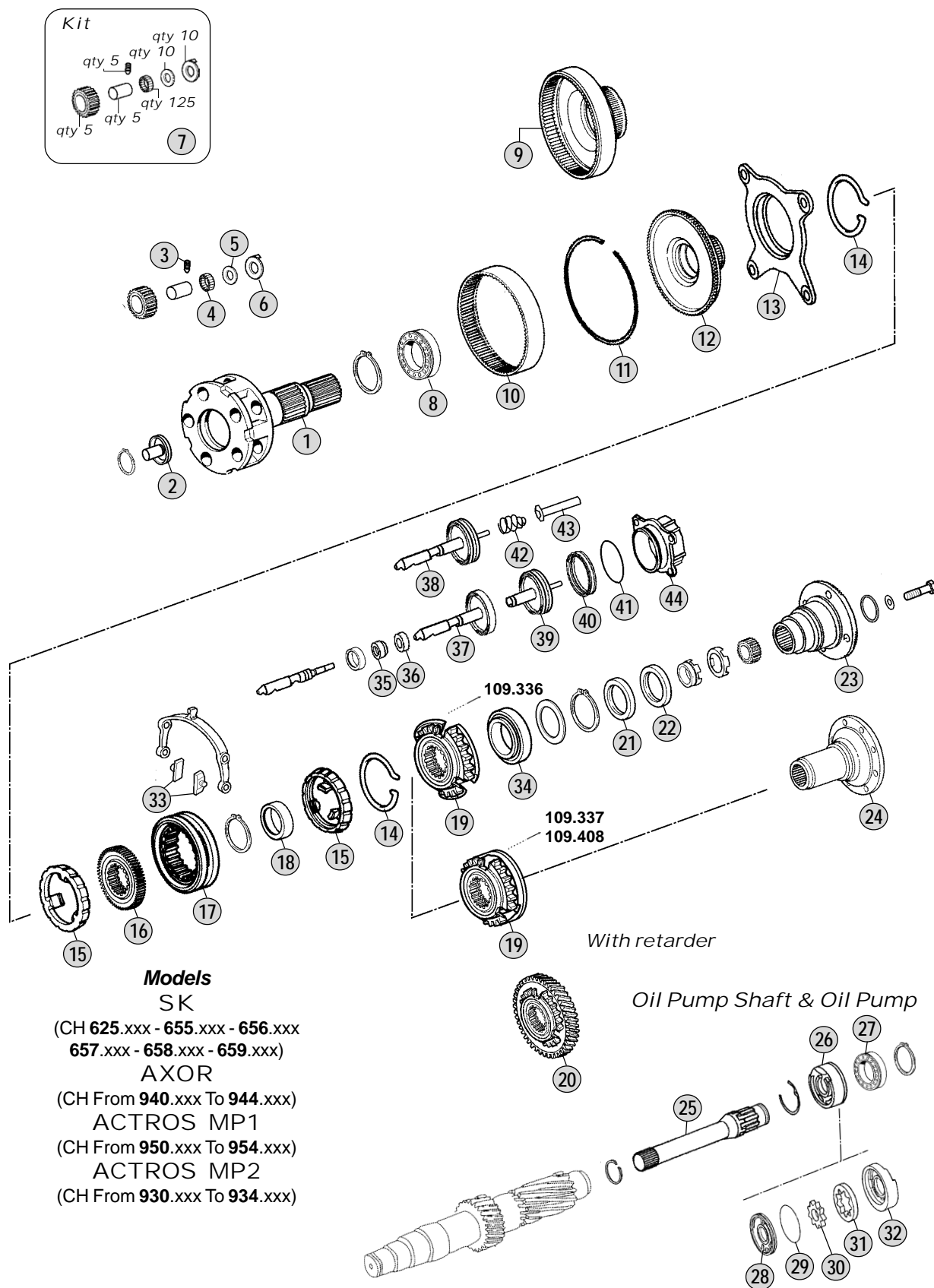
04 / 2011

**Table****0355**



Adattabile a : **MERCEDES**  
 Suitable To :

Modelli Cambio/ Gearbox Models  
**G240 (16 Speeds)**



**Models**

G240 - 16 / 11,7 - 0,69 **715.260(EPS)-261-400-410-411-520-521**

Fig.	no.	Rif. MB	Description	Q.ty	Note	G240-16/11,7-0,69				
23		930 262 0245	Output Flange D.180 mm	1		●				
23		389 262 0645	Output Flange D.200 mm	1		●				
23		930 262 0145	Output Flange D.200 mm	1		●				
23		389 262 0545	Output Flange D.180 mm	1	For Model with VOITH Retarder	●				
23		389 262 0945	Output Flange D.200 mm	1	For Model with VOITH Retarder	●				
24		930 262 0245	Output Flange D.180 mm	1	For Model with TELMA Retarder	●				
24		387 264 1945	Output Flange D.198 mm	1	For Model with TELMA Retarder	●				
24		387 264 2045	Output Flange D.198 mm	1	For Model with TELMA Retarder	●				
24		945 262 0445	Output Flange D.200 mm	1	For Model with TELMA Retarder	●				
24		945 262 0545	Output Flange D.200 mm	1	For Model with TELMA Retarder	●				
25		389 269 1210	Oil Pump Shaft	1		●				
25		947 269 1110	Oil Pump Shaft	1		●				
25		947 269 1010	Oil Pump Shaft	1	For Model with VOITH Retarder	●				
26		389 260 0690	Oil Pump	1	Old Type-Assembly	●				
27		004 981 9225	Bearing 45x75x16	1	With 101.123	●				
27		008 981 5425	Bearing	1	With 101.168/101.169	●				
28		389 269 2601	Oil Pump Cover	1	New Type-Disassembled	●				
29		029 997 5748	O Ring	1	New Type-Disassembled	●				
30		389 269 1406	Oil Pump Gear	1	New Type-Disassembled	●				
31		389 269 0706	Oil Pump Hub	1	New Type-Disassembled	●				
32		947 269 1001	Oil Pump Housing	1	New Type-Disassembled	●				
33		389 265 2449	Slide Fork	2	(A) BRASS	●				
33		M389 265 2449	Slide Fork	2	(A) IRON	●				
33		947 265 0349	Slide Fork	2	(B) BRASS	●				
33		M947 265 0349	Slide Fork	2	(B) IRON	●				
34		004 981 9325	Bearing 85x150x28	1	(1) Old Type	●				
34		008 981 3025	Bearing 80x150x28	1		●				
34		007 981 8201	Bearing	1	For Model with TELMA Retarder	●				
35		000 267 0197	Oil Seal 22x32x8	1		●				
36		387 267 0650	Bush Th.8(34x22) mm	1		●				
37		930 260 2789	Cylinder	1		●				
37		930 260 2889	Cylinder	1		●				
38		945 267 2117	Cylinder	1		●				
38		930 260 2389	Cylinder	1		●				
39		389 267 1018	Cylinder	1		●				
40		024 997 8347	Oil Seal 77x90x17	1		●				
41		017 997 6545	Oil Seal	1		●				
41		020 997 8948	O Ring 3,0x89,5	1		●				
42		008 993 0801	Spring	1		●				
42		000 993 6705	Spring	1		●				
43		000 543 5785	Oil Tube	1		●				
43		000 543 5485	Oil Tube	1		●				
44		945 267 1119	Cylinder	1		●				
44		945 267 1319	Cylinder	1		●				
44		001 260 4963	Cylinder	1		●				

**Notes**

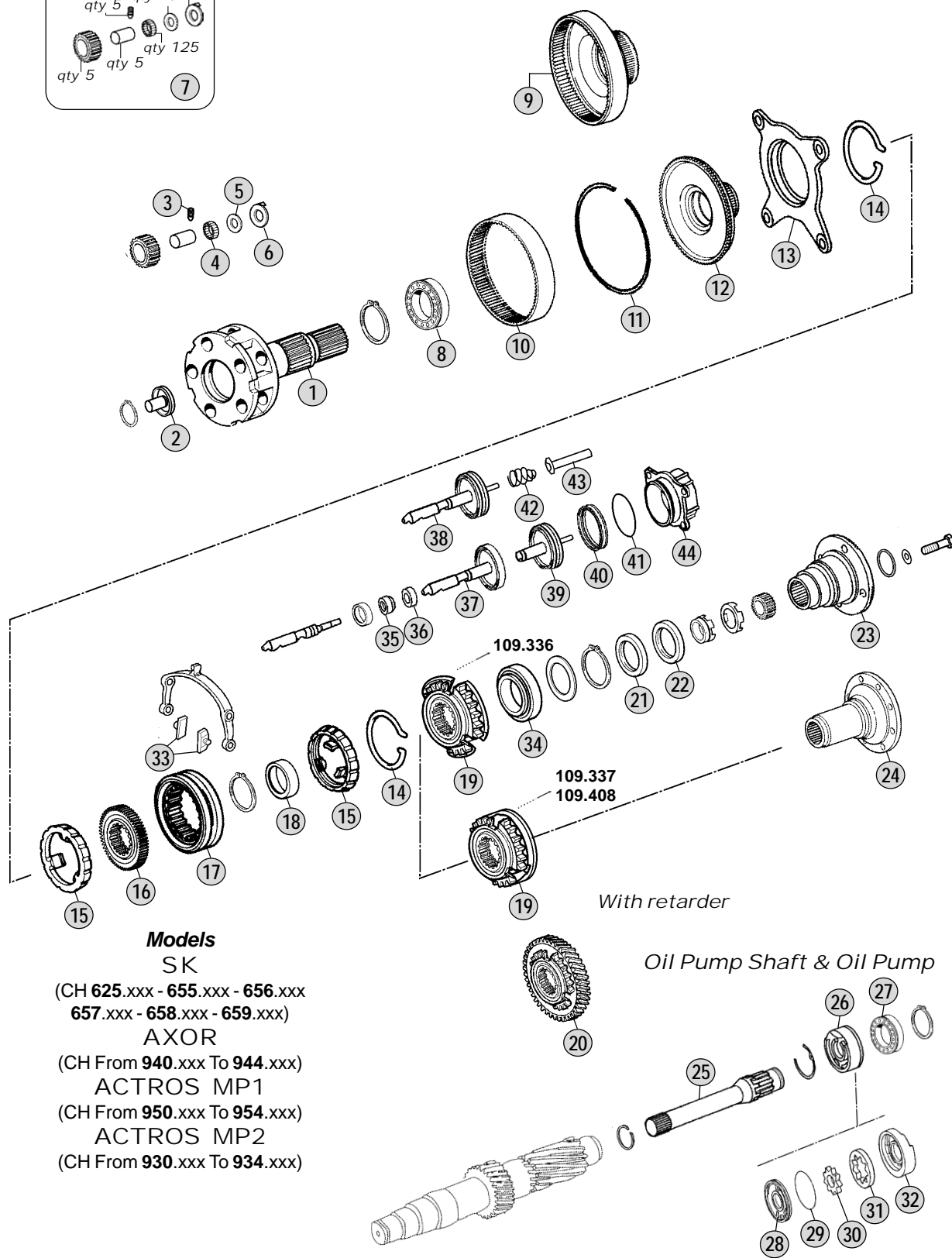
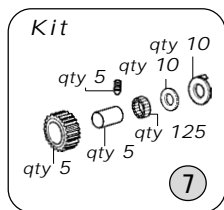
- (1) Old Type Planet carrier uses old bearing type.  
The old type is replaced by : 1 pc 190.337 + 1 pc 130.564  
(A) Up to gearbox 36686  
(B) From gearbox 36687

**Date**

04 / 2011

**Table****0355**

Adattabile a : **MERCEDES**  
Suitable To :



**Models**  
SK

(CH 625.xxx - 655.xxx - 656.xxx  
657.xxx - 658.xxx - 659.xxx)

**AXOR**

(CH From 940.xxx To 944.xxx)

**ACTROS MP1**

(CH From 950.xxx To 954.xxx)

**ACTROS MP2**

(CH From 930.xxx To 934.xxx)

**Models**

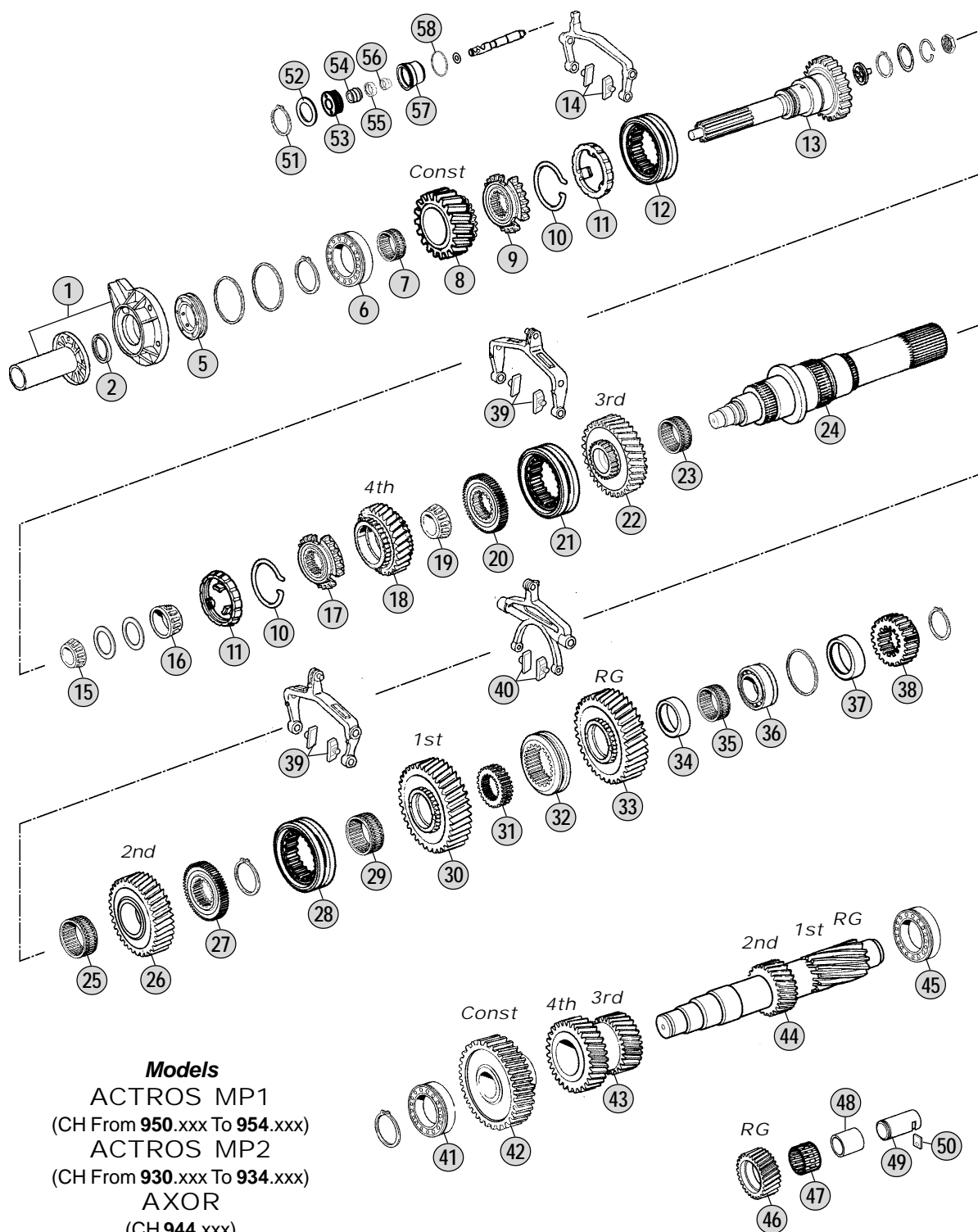
G240 - 16 / 11,7 - 0,69    **715.260(EPS)-261-400-410-411-520-521**



Adattabile a : **MERCEDES**

Suitable To :

Modelli Cambio/ Gearbox Models

**G241 (16 Speeds)****Models**ACTROS MP1  
(CH From 950.xxx To 954.xxx)ACTROS MP2  
(CH From 930.xxx To 934.xxx)AXOR  
(CH 944.xxx)  
ECONIC  
(CH 957.xxx)**Models**

G241 - 16/17,03 - 1,00 715.513

Fig.	no.	Rif. MB	Description	Q.ty	Note	G241-16/17,03-1,00				
1		945 261 1118	Front Cover	1		●				
2		019 997 0547	Oil Seal 56x72x8	1		●				
5		389 261 0865	Diaphragm	1		●				
6		011 981 1305	Bearing 75x140x34,3	1		●				
7		018 981 6410	Needle Cage 84x90x39,5	1		●				
8		930 262 0217	Constant Gear 27 T	1		●				
9		945 262 5434	Synchronizer Cone	1		●				
10		387 262 0893	Elastic Ring	2		●				
11		946 262 6137	Synchronizer Ring	1		●				
11		CEI 119299	Synchronizer Ring	2	LONG LIFE	●				
12		945 262 6523	Sliding Sleeve	1		●				
12		M945 262 6523	Sliding Sleeve	1	LONG LIFE	●				
13		930 262 1003	Input Shaft	1		●				
14		947 265 0349	Slide Fork	2	BRASS	●				
14		M947 265 0349	Slide Fork	1	IRON	●				
15		014 981 1905	Bearing 39,6x77,7x40	1		●				
16		017 981 5105	Needle Bearing 50x41,3	1		●				
17		930 262 0034	Synchronizer Cone	1		●				
18		930 262 2217	Gear 4th Speed	1		●				
19		015 981 6205	Bearing 55x96,3x29,8	1		●				
20		945 262 3635	Synchronizer Hub	1		●				
21		930 262 0123	Sliding Sleeve	1		●				
22		930 262 0613	Gear 3rd Speed 34 T	1		●				
23		018 981 6610	Needle Cage K85x93x53ZWD	1		●				
24		930 260 0605	Main Shaft	1		●				
25		018 981 6610	Needle Cage K85x93x53ZWD	1		●				
26		945 262 6812	Gear 2nd Speed 39 T	1		●				
27		945 262 3635	Synchronizer Hub	1		●				
28		930 262 0123	Sliding Sleeve	1		●				
29		018 981 8110	Needle Cage 75x83x48	1		●				
30		930 262 0611	Gear 1st Speed 44 T	1		●				
31		389 262 3935	Synchronizer Hub	1	Old Type - With 147.163	●				
31		945 262 3835	Synchronizer Hub	1	New Type - With 147.245	●				
32		389 262 1823	Sliding Sleeve	1		●				
33		945 262 3333	Reverse Gear 40 T	1	Old Type - With 157.606	●				
33		945 262 4433	Reverse Gear 40 T	1	New Type - With 155.232	●				
34		389 262 2250	Bush	1		●				
35		009 981 1510	Needle Cage K78x86x35ZW	1		●				
36		014 981 6105	Bearing 60x130x30	1		●				
37		389 262 3754	Spacer Th.18(74x60) mm	1		●				
38		945 262 0909	Sun Gear 25 T	1		●				
39		947 265 0449	Slide Fork	4		●				
39		M947 265 0449	Slide Fork	4	IRON	●				
40		945 265 0149	Slide Fork	1		●				
41		014 981 1405	Bearing 50,8x100x35	1		●				

Notes

Date

04 / 2011

Table

0360

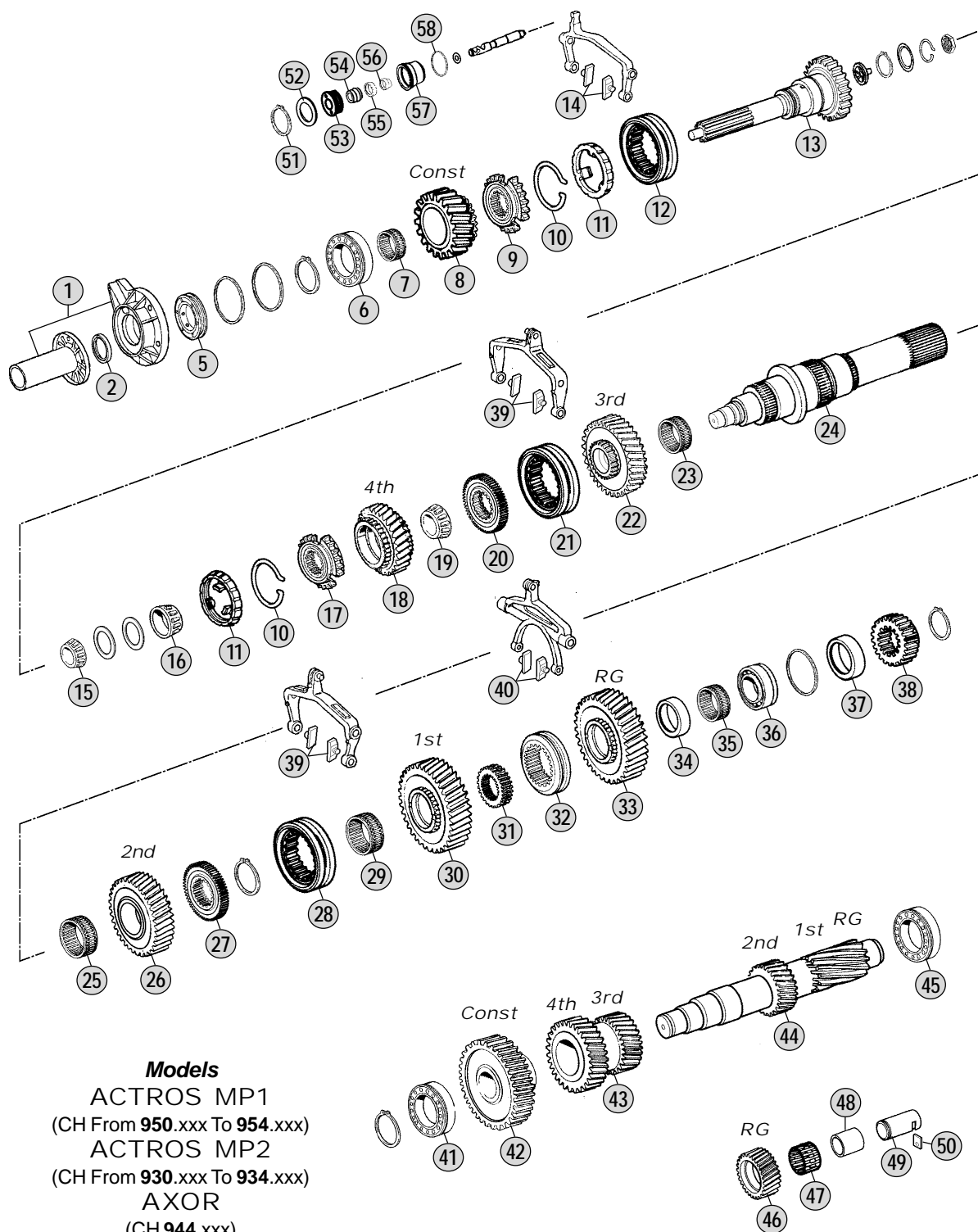
16 Speeds  
G241



Adattabile a : **MERCEDES**

Suitable To :

Modelli Cambio/ Gearbox Models

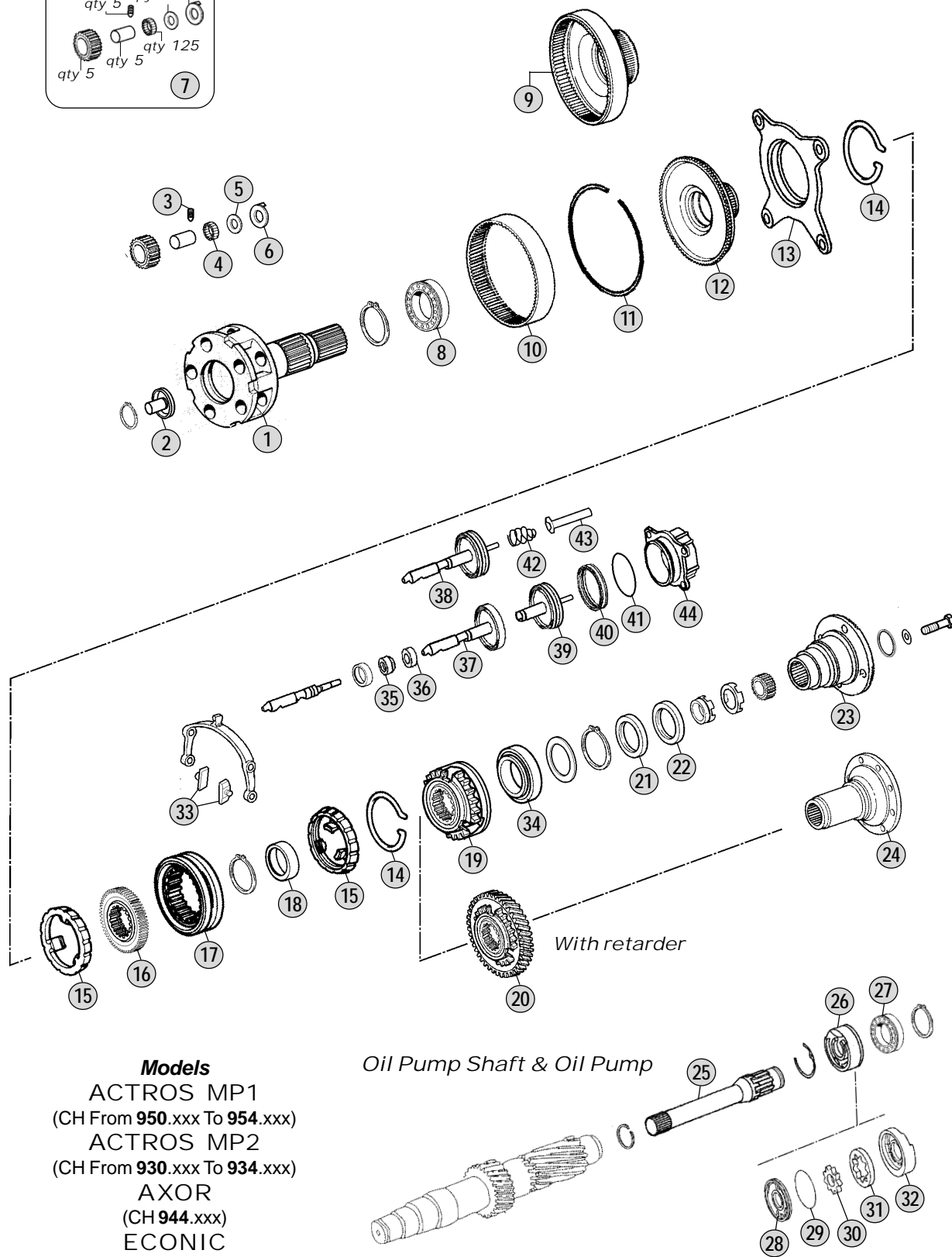
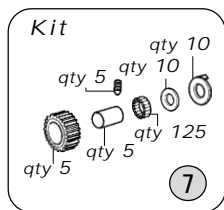
**G241 (16 Speeds)****Models**ACTROS MP1  
(CH From 950.xxx To 954.xxx)ACTROS MP2  
(CH From 930.xxx To 934.xxx)AXOR  
(CH 944.xxx)  
ECONIC  
(CH 957.xxx)**Models**

G241 - 16/17,03 - 1,00 715.513



Adattabile a : **MERCEDES**  
 Suitable To : **MERCEDES**

Modelli Cambio/ Gearbox Models  
**G241 (16 Speeds)**



**Models**

ACTROS MP1  
 (CH From 950.xxx To 954.xxx)  
 ACTROS MP2  
 (CH From 930.xxx To 934.xxx)  
 AXOR  
 (CH 944.xxx)  
 ECONIC  
 (CH 957.xxx)

**Models**

G241 - 16/17,03 - 1,00 715.515-519

Fig.	no.	Rif. MB	Description	Q.ty	Note	G241-16/17,03-1,00				
1		946 260 3661	Planetary Carrier (Empty)	1	Empty	●				
1		945 260 4661	Planetary Carrier (Complete)	1	Complete	●				
2		945 269 0834	Oil Tube	1		●				
3		000914 006109	Stud 6x14 mm	5		●				
4		000 981 4186	Needle 5x39,8	125		●				
5		389 262 0162	Spacer	10		●				
6		389 262 1462	Thrust Washer	10		●				
7		655 260 0197	Repair Kit	1		●				
8		008 981 1325	Bearing 90x130x14	1		●				
9		945 262 0108	Crown Gear 85 T D.269 mm	1	ALT-1 pc.Fig.10+Fig.11+Fig.12	●				
10		945 262 0208	Crown Gear 85 T D.269-H 70mm	1	ALT-1 pc.Fig.9 (Crown Assy)	●				
10		945 262 0808	Crown Gear 85 T D.271-H 70mm	1	ALT-1 pc.Fig.9 (Crown Assy)	●				
11		389 262 0773	Lock Ring	1		●				
12		389 262 1425	Carrier Hub 85 T	1	ALT-1 pc.Fig.9 (Crown Assy)	●				
13		389 260 2036	Synchronizer Flange	1	(A)	●				
13		947 260 3036	Synchronizer Flange	1	(B)	●				
14		389 262 0293	Elastic Ring	2		●				
15		389 262 0537	Synchronizer Ring	2	(A)	●				
15		389 262 3337	Synchronizer Ring	2	(A) LONG LIFE	●				
15		947 260 0945	Synchronizer Ring	2	(B)	●				
15		CEI 119298	Synchronizer Ring	2	(B) LONG LIFE	●				
16		389 262 2035	Synchronizer Hub	1		●				
17		945 262 6623	Sliding Sleeve	1	(A)	●				
17		M945 262 6623	Sliding Sleeve	1	(A) LONG LIFE	●				
17		945 262 6923	Sliding Sleeve	1	(B)	●				
17		M945 262 6923	Sliding Sleeve	1	(B) LONG LIFE	●				
18		389 262 0251	Bush	1		●				
19		389 262 9234	Synchronizer Cone	1	(A)	●				
19		945 262 3834	Synchronizer Cone	1	(B)	●				
20		389 264 0730	Synchronizer Cone W/RET.63 T	1	(A) With Retarder	●				
20		945 264 0520	Synchronizer Cone W/RET.63 T	1	(B)	●				
20		930 264 0320	Gear W/RET. 64 T	1	(B)	●				
20		930 264 0420	Gear W/RET. 59 T	1	(B) With Retarder	●				
21		013 997 7247	Oil Seal 95x115x13	1		●				
21		015 997 6447	Oil Seal	1	For Model with TELMA Retarder	●				
22		013 997 7347	Oil Seal 95x115x13	1		●				
22		017 997 1247	Oil Seal	1	For Model with TELMA Retarder	●				
23		945 262 0045	Output Flange D.180 mm	1		●				
23		389 262 0645	Output Flange D.200 mm	1		●				
23		930 262 0045	Output Flange D.180 mm	1		●				
23		930 262 0145	Output Flange D.200 mm	1		●				
24		387 264 1945	Output Flange D.198 mm	1	For Model with TELMA Retarder	●				
24		387 264 2045	Output Flange D.198 mm	1	For Model with TELMA Retarder	●				
24		945 262 0445	Output Flange D.200 mm	1	For Model with TELMA Retarder	●				
24		945 262 0545	Output Flange D.200 mm	1	For Model with TELMA Retarder	●				

Notes

(A) Up to gearbox 36686  
 (B) From gearbox 36687

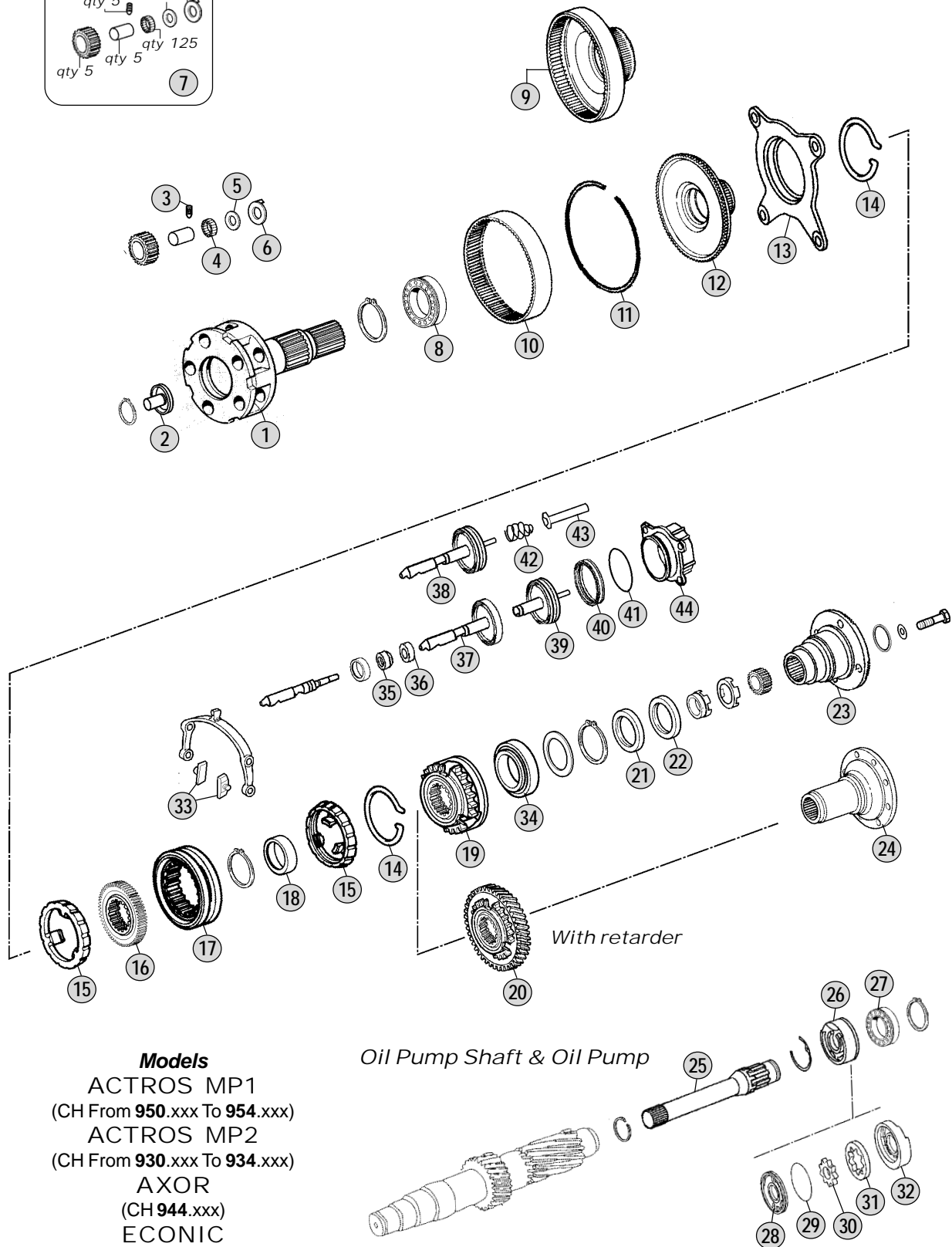
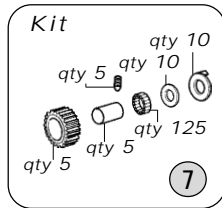
Date

04 / 2011

Table**0365**

Adattabile a : **MERCEDES**  
 Suitable To :

Modelli Cambio/ Gearbox Models  
**G241 (16 Speeds)**



**Models**

ACTROS MP1  
 (CH From 950.xxx To 954.xxx)  
 ACTROS MP2  
 (CH From 930.xxx To 934.xxx)  
 AXOR  
 (CH 944.xxx)  
 ECONIC  
 (CH 957.xxx)

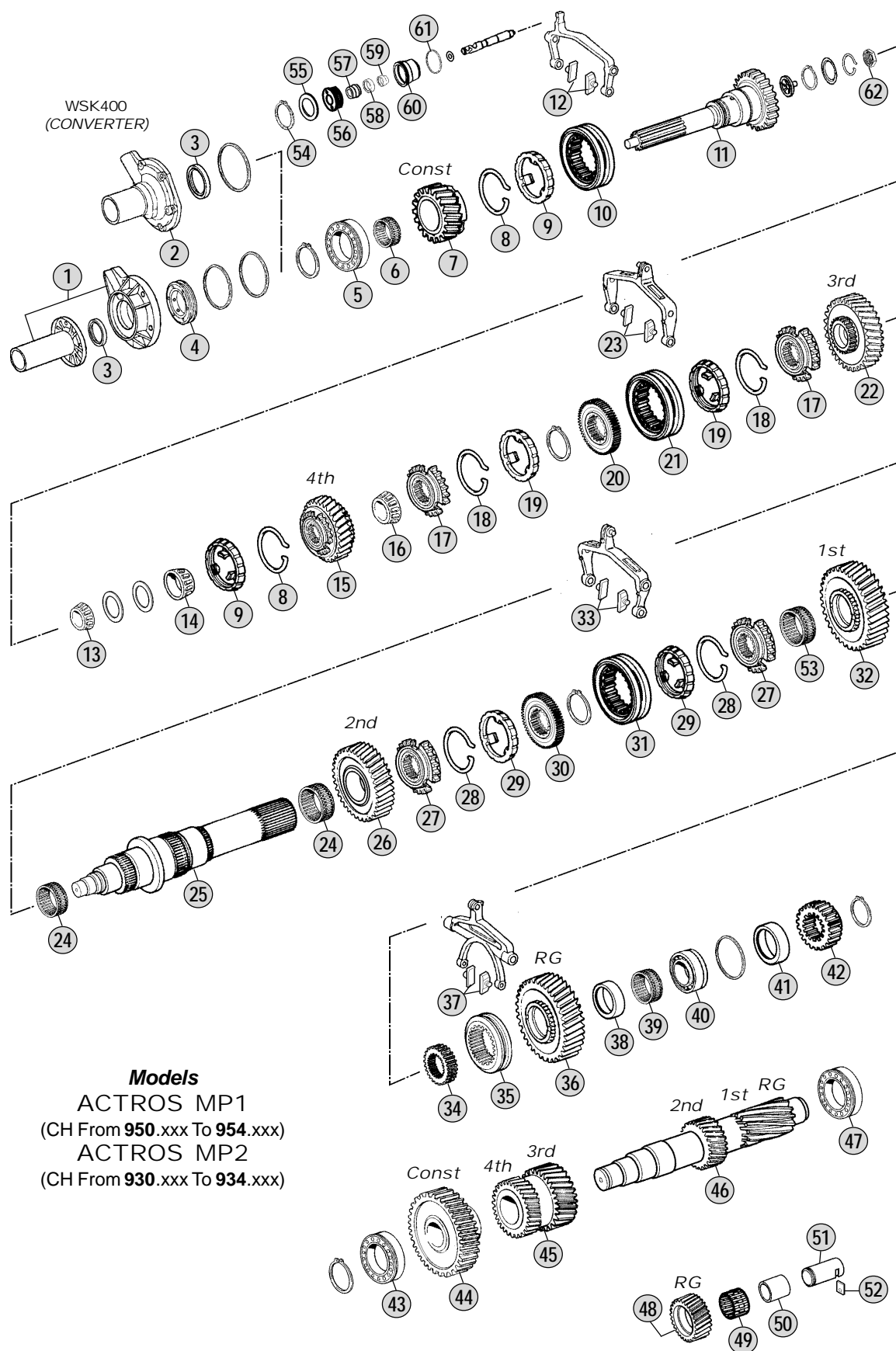
**Models**

G241 - 16/17,03 - 1,00 **715.515-519**





Adattabile a : **MERCEDES**  
Suitable To :



**Models**  
ACTROS MP1  
(CH From 950.xxx To 954.xxx)  
ACTROS MP2  
(CH From 930.xxx To 934.xxx)

**Models**

G260 - 16 / 9,75 - 0,57      715.540

Fig.	no.	Rif. MB	Description	Q.ty	Note	G260-16/9,75-0,57				
1		945 261 1118	Front Cover	1	Latest Models	●				
2		945 261 1218	Front Cover	1	With WSK400-Up to 6/99	●				
2		945 261 2818	Front Cover	1	With WSK400-From 6/99	●				
3		019 997 0547	Oil Seal 56x72x8	1		●				
4		389 261 0865	Diaphragm	1		●				
5		011 981 1305	Bearing 75x140x34,3	1		●				
6		016 981 0010	Needle Cage K89x97x40ZW	1		●				
7		945 262 4710	Constant Gear 39 T	1	(A)	●				
7		945 262 5917	Constant Gear 39 T	1	(B)	●				
8		387 262 1093	Elastic Ring	2		●				
9		389 262 0637	Synchronizer Ring	2	(A)	●				
9		389 262 3137	Synchronizer Ring	2	(A) LONG LIFE	●				
9		947 260 0545	Synchronizer Ring	2	(B)	●				
9		CEI 119300	Synchronizer Ring	2	(B) LONG LIFE	●				
10		945 262 0323	Sliding Sleeve	1	(A)	●				
10		M945 262 0323	Sliding Sleeve	1	(A) LONG LIFE	●				
10		945 262 6823	Sliding Sleeve	1	(B)	●				
10		M945 262 6823	Sliding Sleeve	1	(B) LONG LIFE	●				
11		389 262 8301	Input Shaft 60 T	1		●				
11		945 262 4403	Input Shaft 60 T	1	With WSK400	●				
11		945 262 1301	Input Shaft	1	With NMV (Old Type)	●				
11		945 262 6203	Input Shaft	1	With NMV (New Type)	●				
12		947 265 0349	Slide Fork	2	BRASS	●				
12		M947 265 0349	Slide Fork	2	IRON	●				
13		015 981 1605	Bearing 39,65x82,3x41	1		●				
14		017 981 5105	Needle Bearing 50x41,3	1		●				
15		389 262 7910	Gear 4th Speed 36 T	1	(A)	●				
15		945 262 5617	Gear 4th Speed 36 T	1	(B)	●				
16		015 981 6205	Bearing 55x96,3x29,8	1		●				
17		945 262 0534	Synchronizer Cone	2	(A)	●				
17		945 262 5434	Synchronizer Cone	2	(B)	●				
18		387 262 0893	Elastic Ring	2		●				
19		389 262 0737	Synchronizer Ring	2	(A)	●				
19		389 262 3237	Synchronizer Ring	2	(A) LONG LIFE	●				
19		946 262 6137	Synchronizer Ring	2	(B)	●				
19		CEI 119299	Synchronizer Ring	2	(B) LONG LIFE	●				
20		389 262 4735	Synchronizer Hub	1		●				
21		945 262 0423	Sliding Sleeve	1	(A)	●				
21		M945 262 0423	Sliding Sleeve	1	(A) LONG LIFE	●				
21		945 262 6523	Sliding Sleeve	1	(B)	●				
21		M945 262 6523	Sliding Sleeve	1	(B) LONG LIFE	●				
22		389 262 3713	Gear 3rd Speed 29 T	1		●				
23		947 265 0349	Slide Fork	2	BRASS	●				
23		M947 265 0349	Slide Fork	2	IRON	●				
24		018 981 6610	Needle Cage K85x93x53ZWD	2		●				

**Notes**

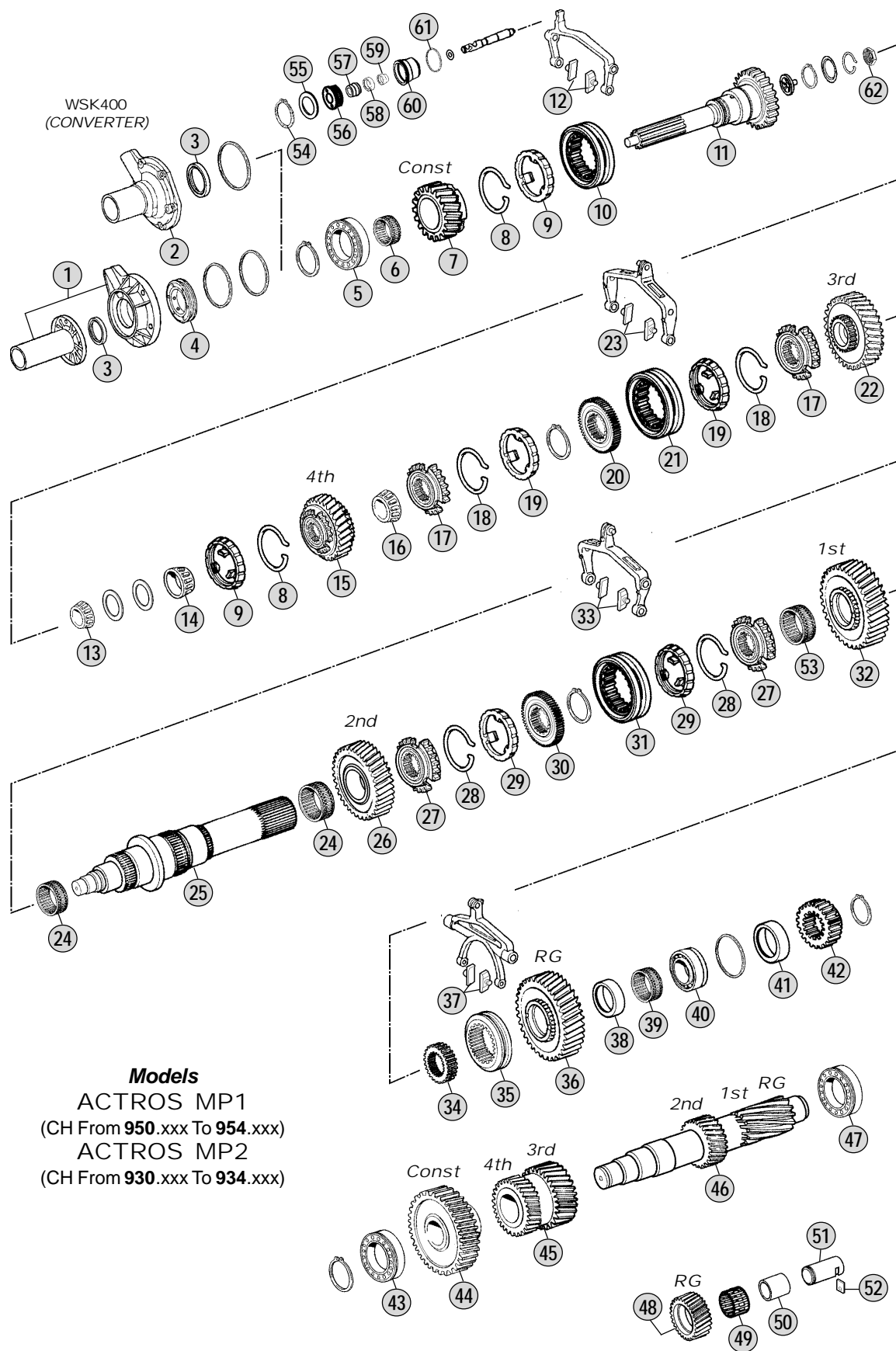
(A) Up to gearbox 502734  
 (B) From gearbox 502735

**Date**

04 / 2011

**Table****0370**

Adattabile a : **MERCEDES**  
 Suitable To :



**Models**  
 ACTROS MP1  
 (CH From 950.xxx To 954.xxx)  
 ACTROS MP2  
 (CH From 930.xxx To 934.xxx)

**Models**

G260 - 16 / 9,75 - 0,57      715.540

Fig.	no.	Rif. MB	Description	Q.ty	Note	G260-169,75-0,57				
25		945 262 3605	Main Shaft	1	Old Bearing	●				
25		945 262 4505	Main Shaft	1	New Bearing	●				
26		945 262 3112	Gear 2nd Speed 39 T	1		●				
27		945 262 0434	Synchronizer Cone	2	(A)	●				
27		945 262 5534	Synchronizer Cone	2	(B)	●				
28		387 262 0893	Elastic Ring	2		●				
29		389 262 0737	Synchronizer Ring	2	(A)	●				
29		389 262 3237	Synchronizer Ring	2	(A) LONG LIFE	●				
29		946 262 6137	Synchronizer Ring	2	(B)	●				
29		CEI 119299	Synchronizer Ring	2	(B) LONG LIFE	●				
30		389 262 2535	Synchronizer Hub	1		●				
31		945 262 0423	Sliding Sleeve	1	(A)	●				
31		M945 262 0423	Sliding Sleeve	1	(A) LONG LIFE	●				
31		945 262 6523	Sliding Sleeve	1	(B)	●				
31		M945 262 6523	Sliding Sleeve	1	(B) LONG LIFE	●				
32		389 262 2711	Gear 1st Speed 44 T	1		●				
33		947 265 0349	Slide Fork	2	BRASS	●				
33		M947 265 0349	Slide Fork	2	IRON	●				
34		389 262 0135	Synchronizer Hub	1	With 154.224	●				
34		389 262 3935	Synchronizer Hub	1	With 154.223 / Old Type	●				
34		945 262 3835	Synchronizer Hub	1	With 154.223 / New Type	●				
35		389 262 1723	Sliding Sleeve	1	With 147.161	●				
35		389 262 1823	Sliding Sleeve	1	With 147.163 / 147.245	●				
36		945 262 3233	Reverse Gear 40 T	1	With 154.224	●				
36		945 262 3333	Reverse Gear 40 T	1	With 154.223 / Old Type	●				
36		945 262 4433	Reverse Gear 40 T	1	With 154.223 / New Type	●				
37		945 265 0149	Slide Fork	2		●				
38		389 262 2550	Bush	1		●				
39		009 981 1510	Needle Cage K78x86x35ZW	1		●				
40		014 981 6105	Bearing 60x130x30	1		●				
41		389 262 3754	Spacer Th.18(74x60) mm	1		●				
42		945 262 0909	Sun Gear 25 T	1		●				
43		014 981 1405	Bearing 50,8x100x35	1		●				
44		945 263 0510	Constant Gear 26 T	1		●				
45		945 263 3213	Double Gear 4th/3rd Sp.-34/29 T	1		●				
46		945 263 2902	Countershaft 21/16 T	1		●				
47		016 981 1205	Bearing 60x130x33,8	1		●				
48		389 263 1031	Reverse Gear 21 T	1		●				
49		012 981 8910	Needle Cage K42x50x51ZW	1		●				
50		389 263 0850	Bush Th.18(74x60) mm	1		●				
51		976 263 0030	Reverse Shaft	1		●				
52		945 263 0041	Key	1		●				
53		008 981 8310	Needle Cage 75x83x55W	1	Old Type with 103.149	●				
53		018 981 8110	Needle Cage 75x83x48	1	New Type with 103.188	●				
54		006 994 4241	Lock Ring	1		●				

Notes

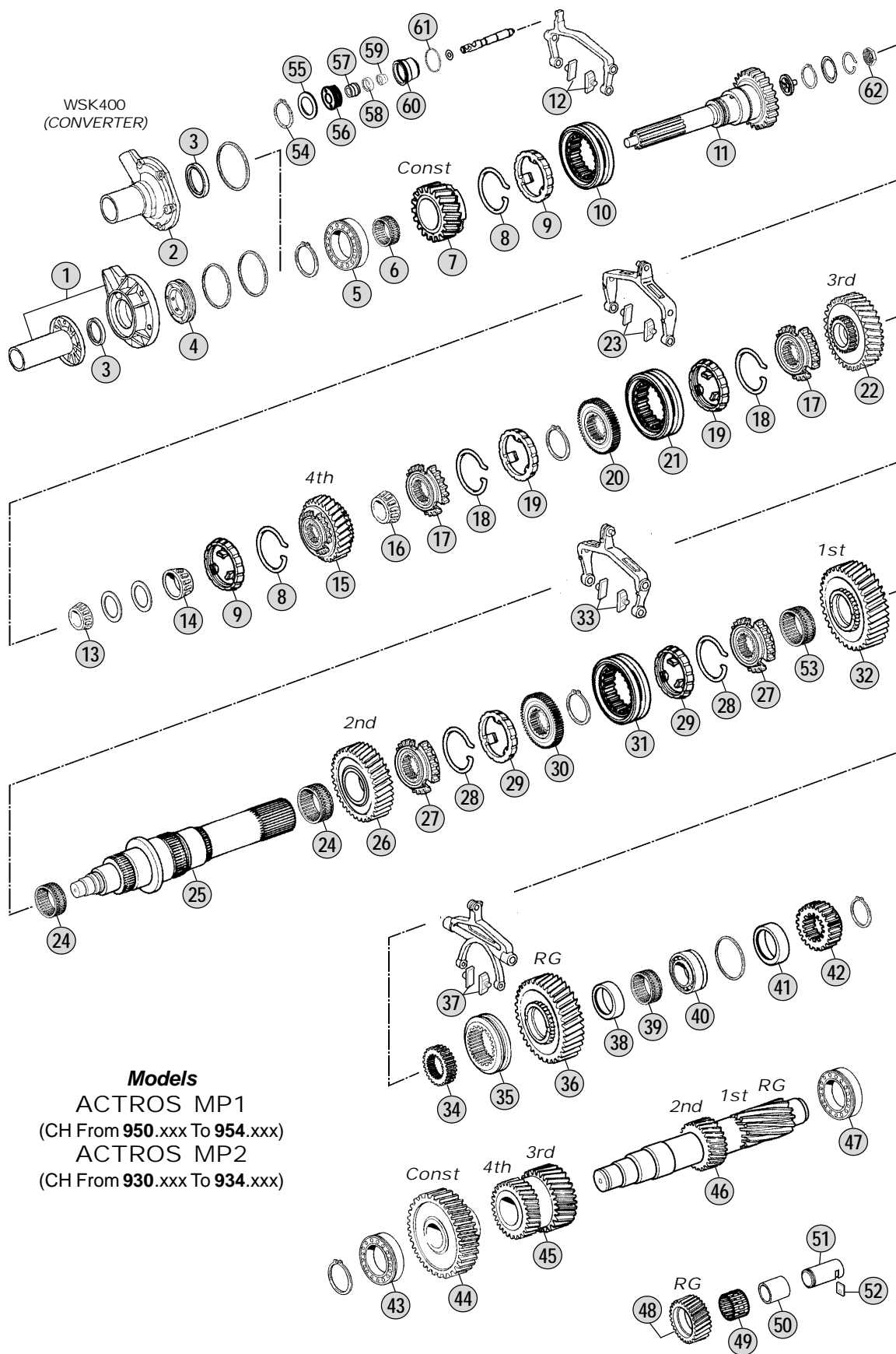
(A) Up to gearbox 502734  
 (B) From gearbox 502735

Date

04 / 2011

Table**0370**16 Speeds  
G260

Adattabile a : **MERCEDES**  
Suitable To :



**Models**  
ACTROS MP1  
(CH From 950.xxx To 954.xxx)  
ACTROS MP2  
(CH From 930.xxx To 934.xxx)

**Models**

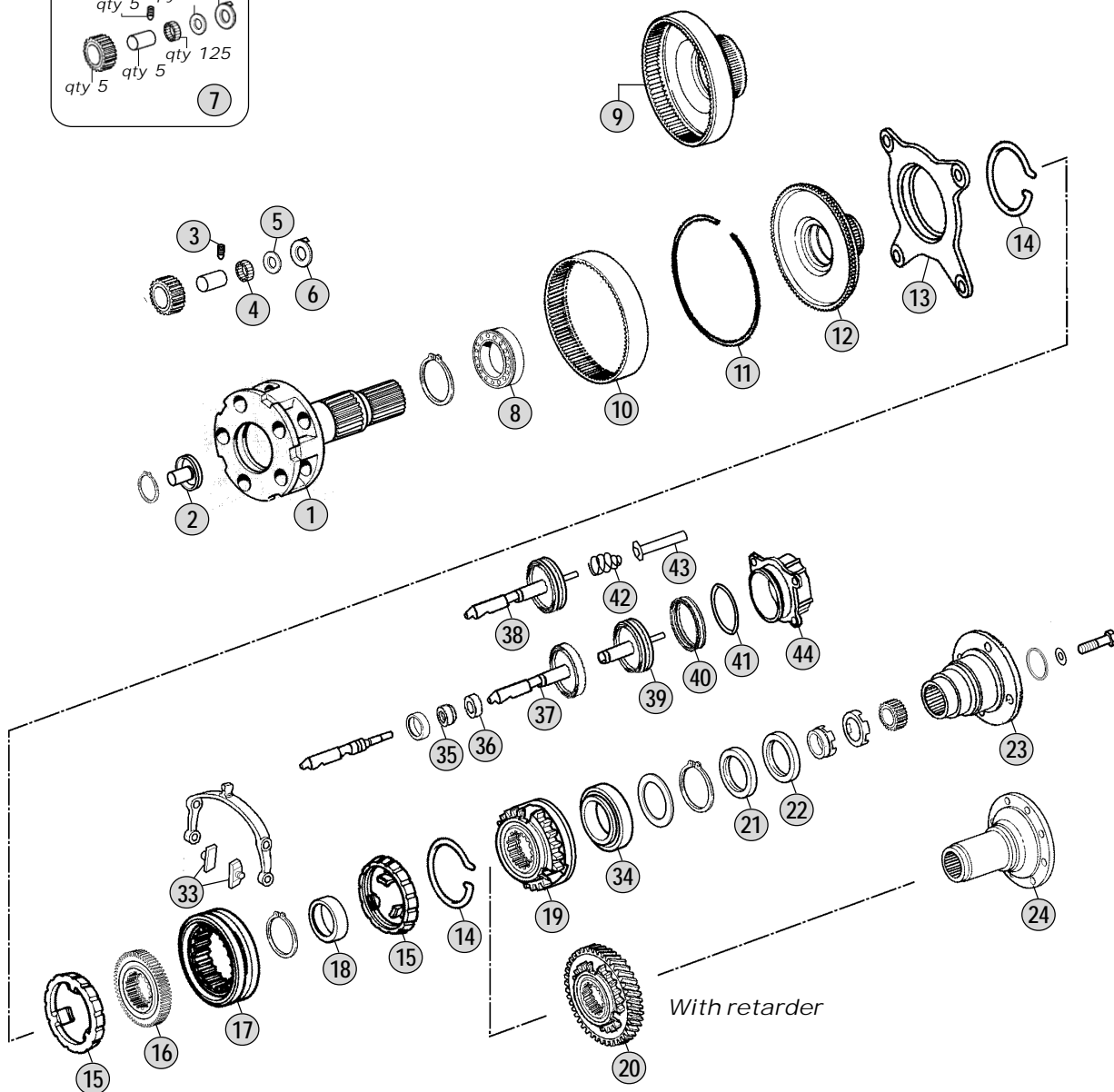
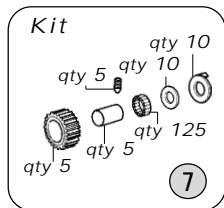
G260 - 16 / 9,75 - 0,57      715.540



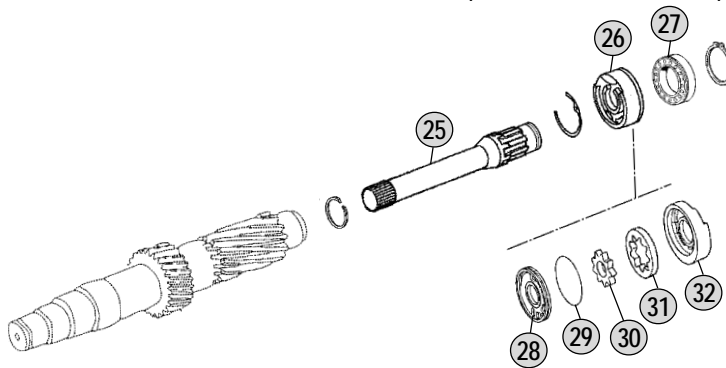


Adattabile a : **MERCEDES**  
 Suitable To :

Modelli Cambio/ Gearbox Models  
**G260 (16 Speeds)**



Oil Pump Shaft & Oil Pump



**Models**

ACTROS MP1  
 (CH From 950.xxx To 954.xxx)  
 ACTROS MP2  
 (CH From 930.xxx To 934.xxx)

**Models**

G260 - 16 / 9,75 - 0,57      715.540

Fig.	no.	Rif. MB	Description	Q.ty	Note	G260-16/19,75-0,57				
1		946 260 3661	Planetary Carrier (Empty)	1	Empty	●				
1		945 260 4661	Planetary Carrier (Complete)	1	Complete	●				
2		945 269 0834	Oil Tube	1		●				
3		000914 006109	Stud 6x14 mm	5		●				
4		000 981 4186	Needle 5x39,8	125		●				
5		389 262 0162	Spacer	10		●				
6		389 262 1462	Thrust Washer	10		●				
7		655 260 0197	Repair Kit	1		●				
8		008 981 1325	Bearing 90x130x14	1		●				
9		945 262 0108	Crown Gear 85 T D.269 mm	1	ALT-1 pc.Fig.10+Fig.11+Fig.12	●				
10		945 262 0208	Crown Gear 85 T D.269-H 70mm	1	ALT-1 pc.Fig.9 (Crown Assy)	●				
10		945 262 0808	Crown Gear 85 T D.271-H 70mm	1	ALT-1 pc.Fig.9 (Crown Assy)	●				
11		389 262 0773	Lock Ring	1		●				
12		389 262 1425	Carrier Hub 85 T	1	ALT-1 pc.Fig.9 (Crown Assy)	●				
13		389 260 2036	Synchronizer Flange	1	(A)	●				
13		947 260 3036	Synchronizer Flange	1	(B)	●				
14		389 262 0293	Elastic Ring	2		●				
15		389 262 0537	Synchronizer Ring	2	(A)	●				
15		389 262 3337	Synchronizer Ring	2	(A) LONG LIFE	●				
15		947 260 0945	Synchronizer Ring	2	(B)	●				
15		CEI 119298	Synchronizer Ring	2	(B) LONG LIFE	●				
16		389 262 2035	Synchronizer Hub	1		●				
17		945 262 6623	Sliding Sleeve	1	(A)	●				
17		M945 262 6623	Sliding Sleeve	1	(A) LONG LIFE	●				
17		945 262 6923	Sliding Sleeve	1	(B)	●				
17		M945 262 6923	Sliding Sleeve	1	(B) LONG LIFE	●				
18		389 262 0251	Bush	1		●				
19		389 262 9234	Synchronizer Cone	1	(A)	●				
19		945 262 3834	Synchronizer Cone	1	(B)	●				
20		389 264 0730	Synchronizer Cone W/RET.63 T	1	(A) With Retarder	●				
20		945 264 0420	Synchronizer Cone W/RET.59 T	1	(A) With Retarder	●				
20		930 264 0220	Synchronizer Cone W/RET.	1	(A) With Retarder	●				
20		945 264 0520	Synchronizer Cone W/RET.63 T	1	(B) With Retarder	●				
20		945 264 0620	Synchronizer Cone W/RET.59 T	1	(B) With Retarder	●				
20		930 264 0420	Gear W/RET. 59 T	1	(B) With Retarder	●				
21		013 997 7247	Oil Seal 95x115x13	1		●				
21		013 997 7347	Oil Seal 95x115x13	1	For Model with VOITH Retarder	●				
21		015 997 6447	Oil Seal	1	For Model with TELMA Retarder	●				
22		013 997 7347	Oil Seal 95x115x13	1		●				
22		017 997 1247	Oil Seal	1	For Model with TELMA Retarder	●				
23		945 262 0045	Output Flange D.180 mm	1		●				
23		389 262 0545	Output Flange D.180 mm	1	For Model with VOITH Retarder	●				
23		389 262 0445	Output Flange D.180 mm	1		●				
23		389 262 0945	Output Flange D.200 mm	1	For Model with VOITH Retarder	●				
23		389 262 0645	Output Flange D.200 mm	1		●				

## Notes

(A) Up to gearbox 366886  
(B) From gearbox 366887

## Date

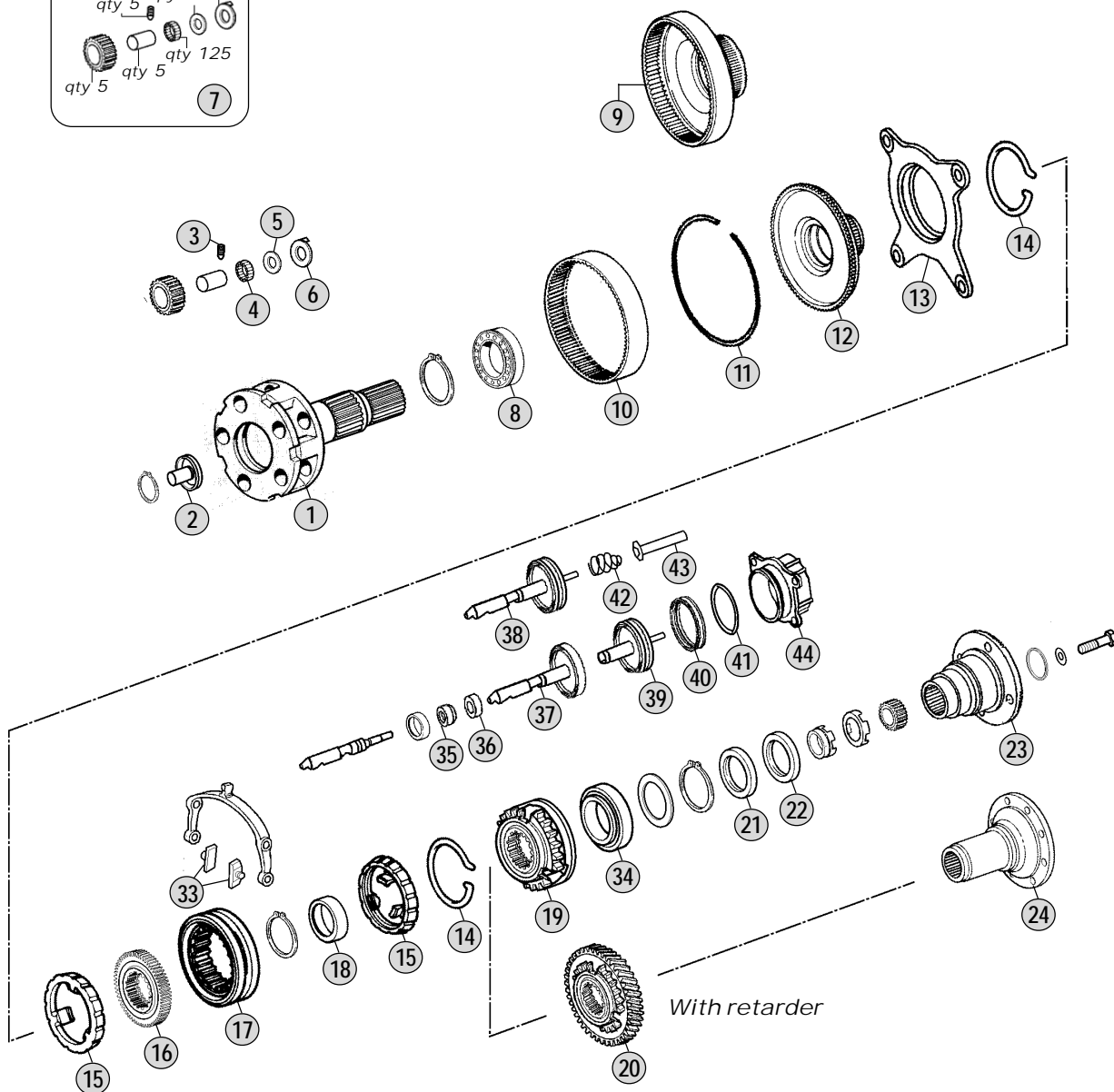
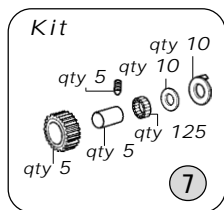
04 / 2011

## Table

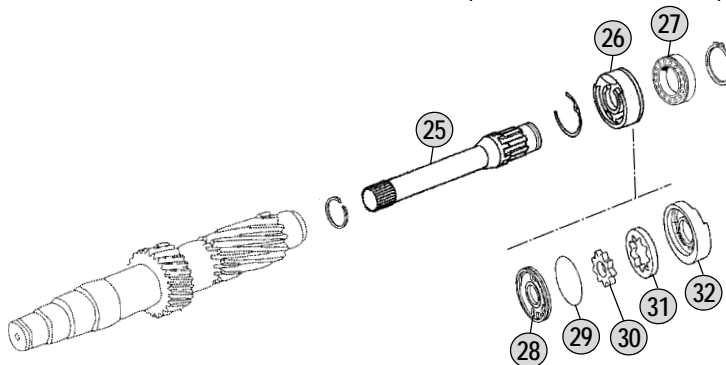
0375

Adattabile a : **MERCEDES**  
 Suitable To :

Modelli Cambio/ Gearbox Models  
**G260 (16 Speeds)**



Oil Pump Shaft & Oil Pump



**Models**

ACTROS MP1  
 (CH From 950.xxx To 954.xxx)  
 ACTROS MP2  
 (CH From 930.xxx To 934.xxx)

**Models**

G260 - 16 / 9,75 - 0,57      715.540

Fig.	no.	Rif. MB	Description	Q.ty	Note	G260-1619,75-0,57				
23		930 262 0145	Output Flange D.200 mm	1		●				
24		930 262 0245	Output Flange D.180 mm	1	For Model with TELMA Retarder	●				
24		387 264 1945	Output Flange D.198 mm	1	For Model with TELMA Retarder	●				
24		387 264 2045	Output Flange D.198 mm	1	For Model with TELMA Retarder	●				
24		945 262 0445	Output Flange D.200 mm	1	For Model with TELMA Retarder	●				
24		945 262 0545	Output Flange D.200 mm	1	For Model with TELMA Retarder	●				
25		389 269 1210	Oil Pump Shaft	1		●				
25		947 269 1110	Oil Pump Shaft	1		●				
25		947 269 1010	Oil Pump Shaft	1	For Model with VOITH Retarder	●				
26		389 260 0690	Oil Pump	1	Old Type-Assembly	●				
27		004 981 9225	Bearing 45x75x16	1	With 101.123	●				
27		008 981 5425	Bearing	1	With 101.168/101.169	●				
28		389 269 2601	Oil Pump Cover	1	New Type-Disassembled	●				
29		029 997 5748	O Ring	1	New Type-Disassembled	●				
30		389 269 1406	Oil Pump Gear	1	New Type-Disassembled	●				
31		389 269 0706	Oil Pump Hub	1	New Type-Disassembled	●				
32		947 269 1001	Oil Pump Housing	1	New Type-Disassembled	●				
33		389 265 2449	Slide Fork	2	(A) BRASS	●				
33		M389 265 2449	Slide Fork	2	(A) IRON	●				
33		947 265 0349	Slide Fork	2	(B) BRASS	●				
33		M947 265 0349	Slide Fork	2	(B) IRON	●				
34		008 981 3025	Bearing 80x150x28	1		●				
34		007 981 8201	Bearing	1	For Model with TELMA Retarder	●				
35		000 267 0197	Oil Seal 22x32x8	1		●				
36		387 267 0650	Bush Th.8(34x22) mm	1		●				
37		930 260 2789	Cylinder	1		●				
37		930 260 2889	Cylinder	1		●				
38		945 267 2117	Cylinder	1		●				
38		930 260 2389	Cylinder	1		●				
38		930 260 2489	Cylinder	1		●				
39		389 267 1018	Cylinder	1		●				
39		947 267 0718	Cylinder	1		●				
40		024 997 8347	Oil Seal 77x90x17	1		●				
41		020 997 8948	O Ring 3,0x89,5	1		●				
41		017 997 6545	Oil Seal	1		●				
42		000 993 6705	Spring	1		●				
42		008 993 0801	Spring	1		●				
43		000 543 5785	Oil Tube	1		●				
43		000 543 5485	Oil Tube	1		●				
44		945 267 1319	Cylinder	1		●				
44		945 267 1219	Cylinder	1		●				

## Notes

(A) Up to gearbox 366886  
(B) From gearbox 366887

## Date

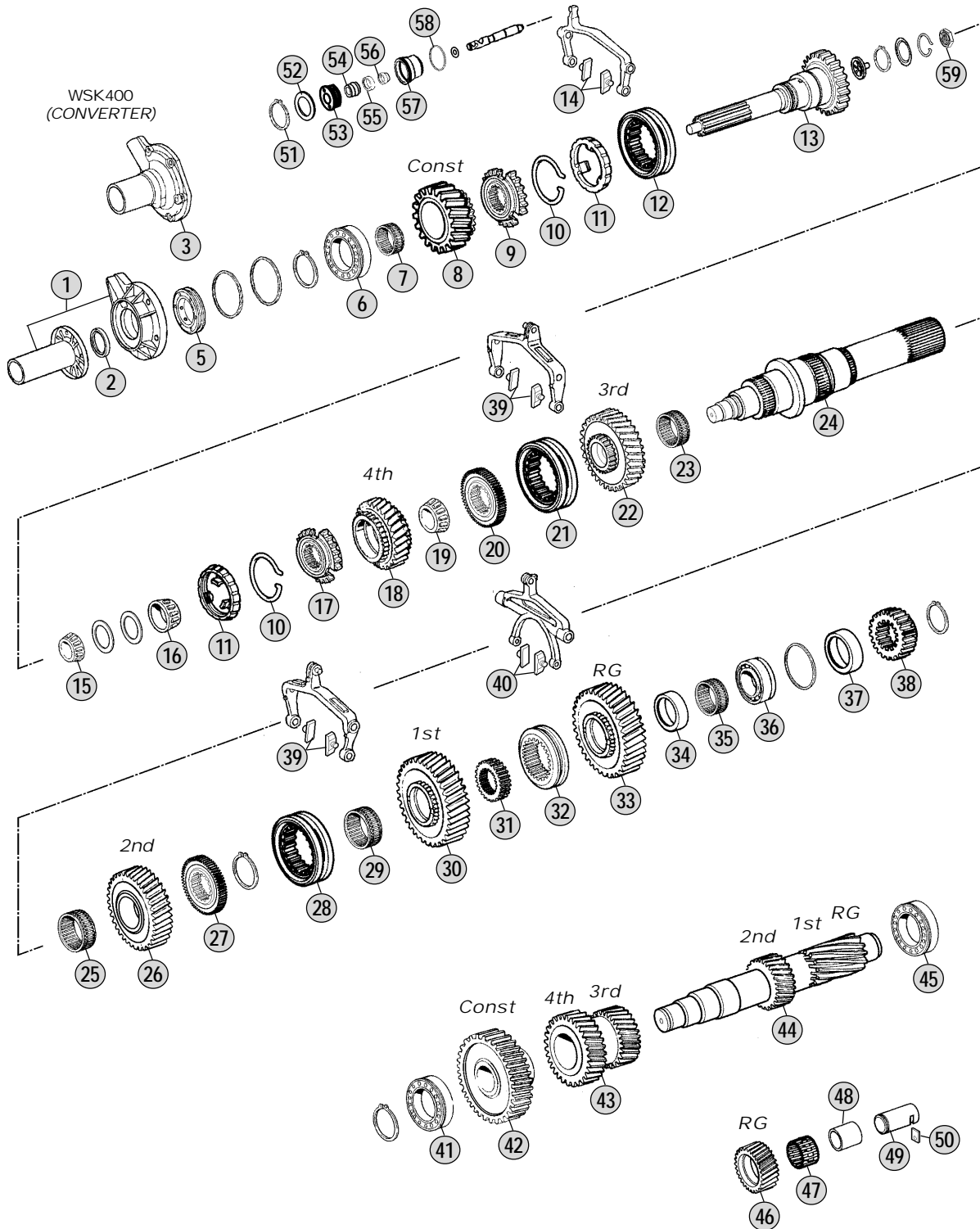
04 / 2011

## Table

0375

Adattabile a : **MERCEDES**  
Suitable To :

**Models**  
**ACTROS MP2**  
(CH From 930.xxx To 934.xxx)



**Models**

G280 - 16/11,72 - 0,69 715.525

Fig.	no.	Rif. MB	Description	Q.ty	Note	G280-16/11,72-0,69				
1		945 261 1118	Front Cover	1		●				
2		019 997 0547	Oil Seal 56x72x8	1		●				
3		930 261 0018	Front Cover	1	With WKS	●				
5		389 261 0865	Diaphragm	1		●				
6		011 981 1305	Bearing 75x140x34,3	1		●				
7		018 981 6410	Needle Cage 84x90x39,5	1		●				
8		930 262 3217	Constant Gear 42 T	1		●				
9		945 262 5434	Synchronizer Cone	1		●				
10		387 262 0893	Elastic Ring	2		●				
11		946 262 6137	Synchronizer Ring	2		●				
11		CEI 119299	Synchronizer Ring	2	LONG LIFE	●				
12		945 262 6523	Sliding Sleeve	1		●				
12		M945 262 6523	Sliding Sleeve	1	LONG LIFE	●				
13		930 262 1003	Input Shaft	1		●				
14		947 265 0349	Slide Fork	2	BRASS	●				
14		M947 265 0349	Slide Fork	2	IRON	●				
15		014 981 1905	Bearing 39,6x77,7x40	1		●				
16		017 981 5105	Needle Bearing 50x41,3	1	New Type	●				
17		930 262 0034	Synchronizer Cone	1		●				
18		930 262 2417	Gear 4th Speed 36 T	1		●				
19		015 981 6205	Bearing 55x96,3x29,8	1		●				
20		945 262 3635	Synchronizer Hub	1		●				
21		930 262 0123	Sliding Sleeve	1		●				
22		930 262 0513	Gear 3rd Speed 29 T	1		●				
23		018 981 6610	Needle Cage K85x93x53ZWD	1		●				
24		930 260 0605	Main Shaft	1		●				
25		018 981 6610	Needle Cage K85x93x53ZWD	1		●				
26		945 262 6812	Gear 2nd Speed 39 T	1		●				
27		945 262 3635	Synchronizer Hub	1		●				
28		930 262 0123	Sliding Sleeve	1		●				
29		018 981 8110	Needle Cage 75x83x48	1		●				
30		930 262 0611	Gear 1st Speed 44 T	1		●				
31		389 262 3935	Synchronizer Hub	1	Old Type With 147.163	●				
31		945 262 3835	Synchronizer Hub	1	New Type With 147.245	●				
32		389 262 1823	Sliding Sleeve	1		●				
33		945 262 3333	Reverse Gear 40 T	1	Old Type With 157.606	●				
33		945 262 4433	Reverse Gear 40 T	1	New Type With 155.232	●				
34		389 262 2550	Bush	1		●				
35		009 981 1510	Needle Cage K78x86x35ZW	1		●				
36		014 981 6105	Bearing 60x130x30	1		●				
37		389 262 3754	Spacer Th.18(74x60) mm	1		●				
38		945 262 0909	Sun Gear 25 T	1		●				
39		947 265 0449	Slide Fork	4	BRASS	●				
39		M947 265 0449	Slide Fork	4	IRON	●				
40		945 265 0149	Slide Fork	2		●				

Notes

Date

04 / 2011

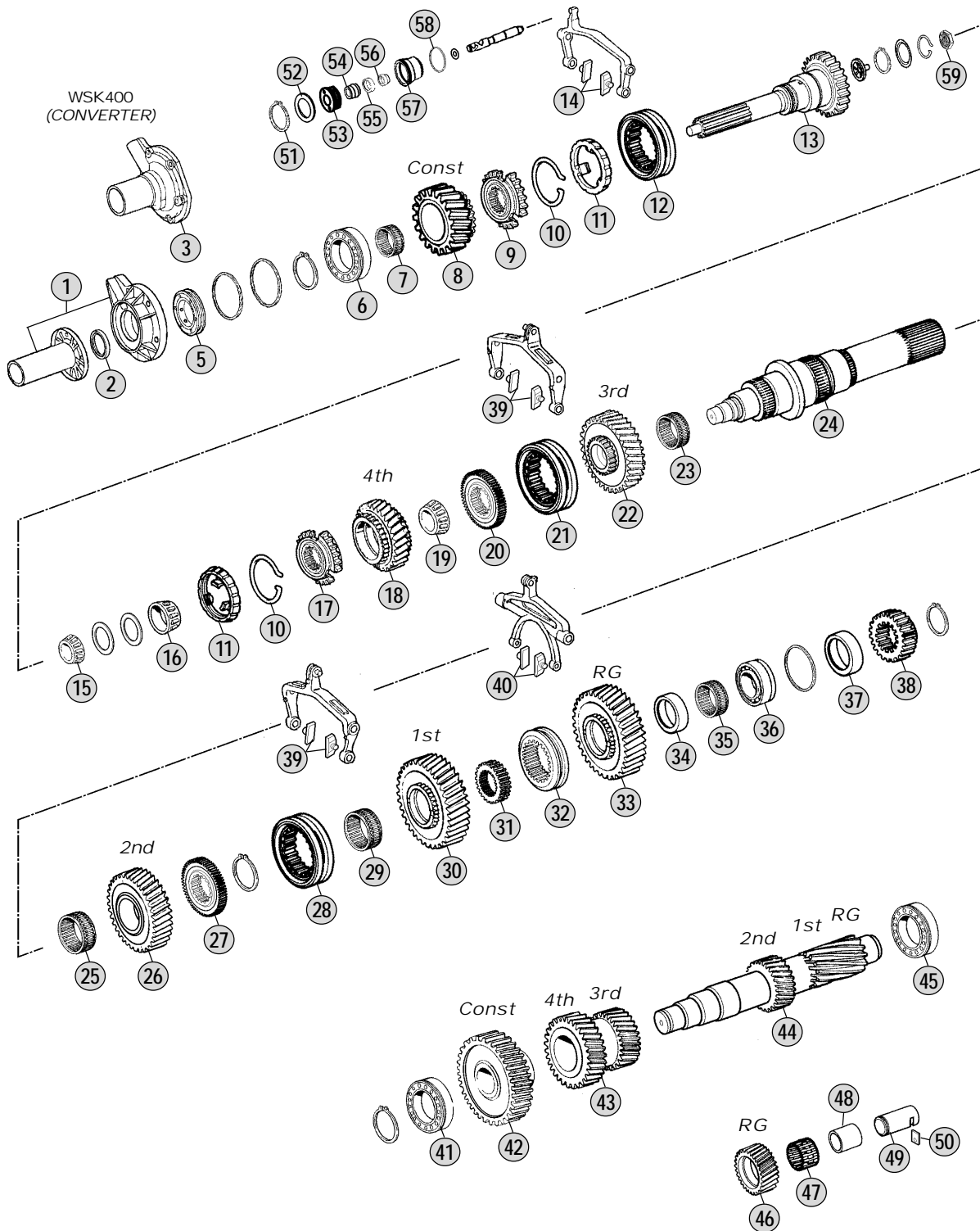
Table

**0380**



Adattabile a : **MERCEDES**  
Suitable To :

**Models**  
**ACTROS MP2**  
(CH From 930.xxx To 934.xxx)

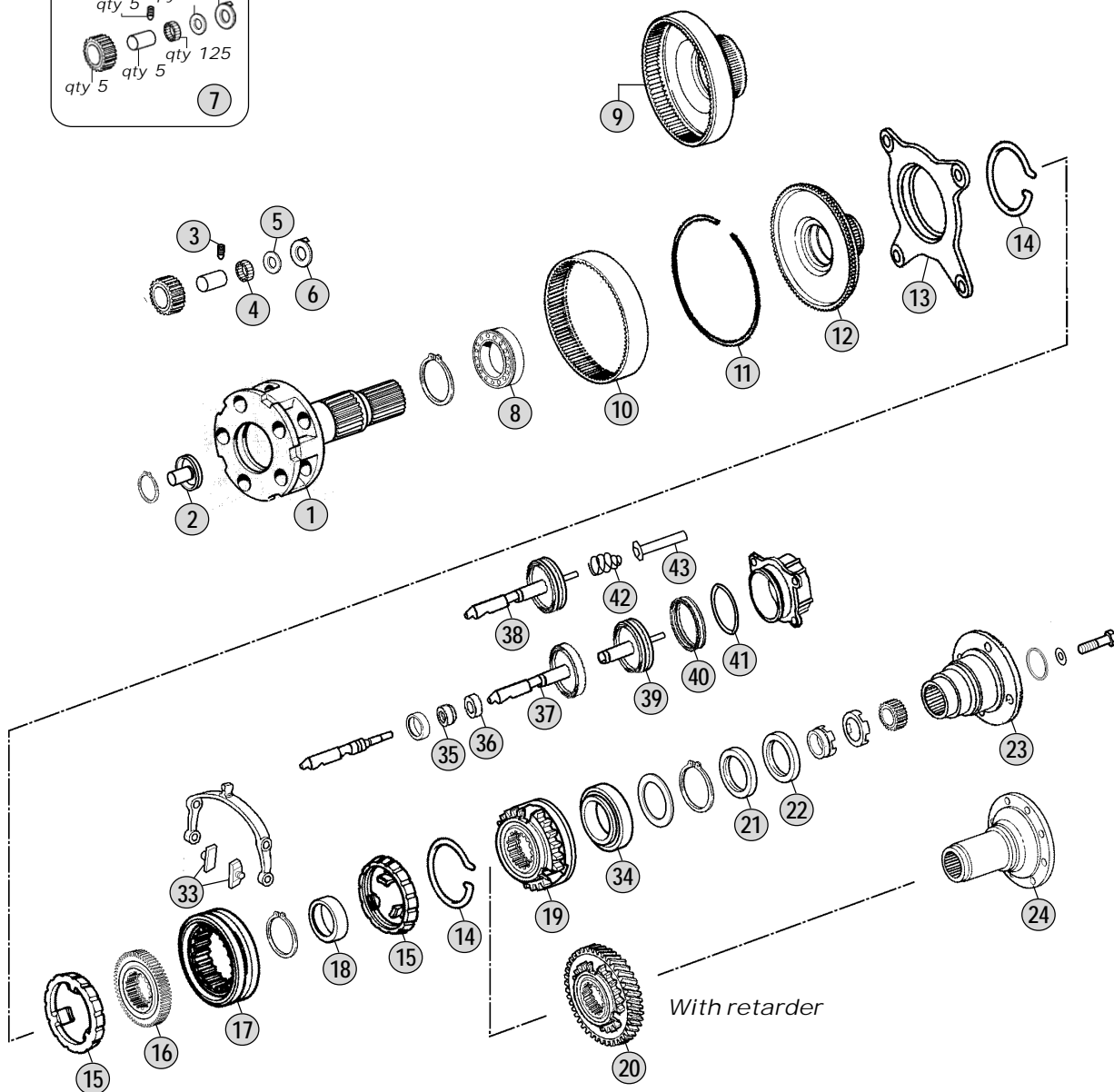
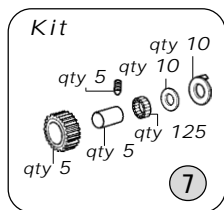


**Models**

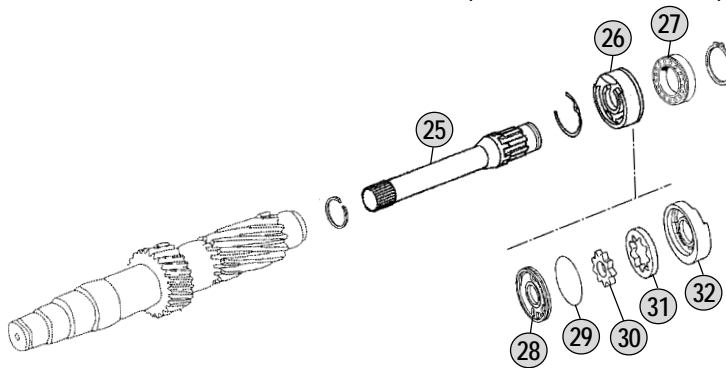
G280 - 16/11,72 - 0,69 715.525



Adattabile a : **MERCEDES**  
Suitable To :



Oil Pump Shaft & Oil Pump



**Models**

ACTROS MP2  
(CH From 930.xxx To 934.xxx)

**Models**

G280 - 16/11,72 - 0,69 715.525

Fig.	no.	Rif. MB	Description	Q.ty	Note	G280-16/11,72-0,69				
1		946 260 3661	Planetary Carrier (Empty)	1	Empty	●				
1		945 260 4661	Planetary Carrier (Complete)	1	Complete	●				
2		945 269 0834	Oil Tube	1		●				
3		000914 006109	Stud 6x14 mm	5		●				
4		000 981 4186	Needle 5x39,8	125		●				
5		389 262 0162	Spacer	10		●				
6		389 262 1462	Thrust Washer	10		●				
7		655 260 0197	Repair Kit	1		●				
8		008 981 1325	Bearing 90x130x14	1		●				
9		945 262 0108	Crown Gear 85 T D.269 mm	1	ALT-1 pc.Fig.10+Fig.11+Fig.12	●				
10		945 262 0208	Crown Gear 85 T D.269-H 70mm	1	ALT-1 pc.Fig.9 (Crown Assy)	●				
10		945 262 0808	Crown Gear 85 T D.271-H 70mm	1	ALT-1 pc.Fig.9 (Crown Assy)	●				
11		389 262 0773	Lock Ring	1		●				
12		389 262 1425	Carrier Hub 85 T	1	ALT-1 pc.Fig.9 (Crown Assy)	●				
13		389 260 2036	Synchronizer Flange	1	(A)	●				
13		947 260 3036	Synchronizer Flange	1	(B)	●				
14		389 262 0293	Elastic Ring	2		●				
15		389 262 0537	Synchronizer Ring	2	(A)	●				
15		389 262 3337	Synchronizer Ring	2	(A) LONG LIFE	●				
15		947 260 0945	Synchronizer Ring	2	(B)	●				
15		CEI 119298	Synchronizer Ring	2	(B) LONG LIFE	●				
16		389 262 2035	Synchronizer Hub	1		●				
17		945 262 6623	Sliding Sleeve	1	(A)	●				
17		M945 262 6623	Sliding Sleeve	1	(A) LONG LIFE	●				
17		945 262 6923	Sliding Sleeve	1	(B)	●				
17		M945 262 6923	Sliding Sleeve	1	(B) LONG LIFE	●				
18		389 262 0251	Bush	1		●				
19		389 262 9234	Synchronizer Cone	1	(A) W/Rear Hous.389 261 1126	●				
19		945 262 3834	Synchronizer Cone	1	(B)	●				
20		389 264 0730	Synchronizer Cone W/RET.63 T	1	(A) With Retarder	●				
20		945 264 0520	Synchronizer Cone W/RET.63 T	1	(B)	●				
20		930 264 0320	Gear W/RET. 64 T	1	(B) With Retarder	●				
20		930 264 0420	Gear W/RET. 59 T	1	(B) With Retarder	●				
21		013 997 7247	Oil Seal 95x115x13	1		●				
21		015 997 6447	Oil Seal	1	For Model with TELMA Retarder	●				
22		013 997 7347	Oil Seal 95x115x13	1		●				
22		017 997 1247	Oil Seal	1	For Model with TELMA Retarder	●				
23		389 262 0445	Output Flange D.180 mm	1		●				
23		945 262 0045	Output Flange D.180 mm	1		●				
23		930 262 0045	Output Flange D.180 mm	1		●				
23		389 262 0645	Output Flange D.200 mm	1		●				
23		930 262 0145	Output Flange D.200 mm	1		●				
24		387 264 1945	Output Flange D.198 mm	1	For Model with TELMA Retarder	●				
24		387 264 2045	Output Flange D.198 mm	1	For Model with TELMA Retarder	●				
24		945 262 0445	Output Flange D.200 mm	1	For Model with TELMA Retarder	●				

## Notes

(A) Up to gearbox 366886  
(B) From gearbox 366887

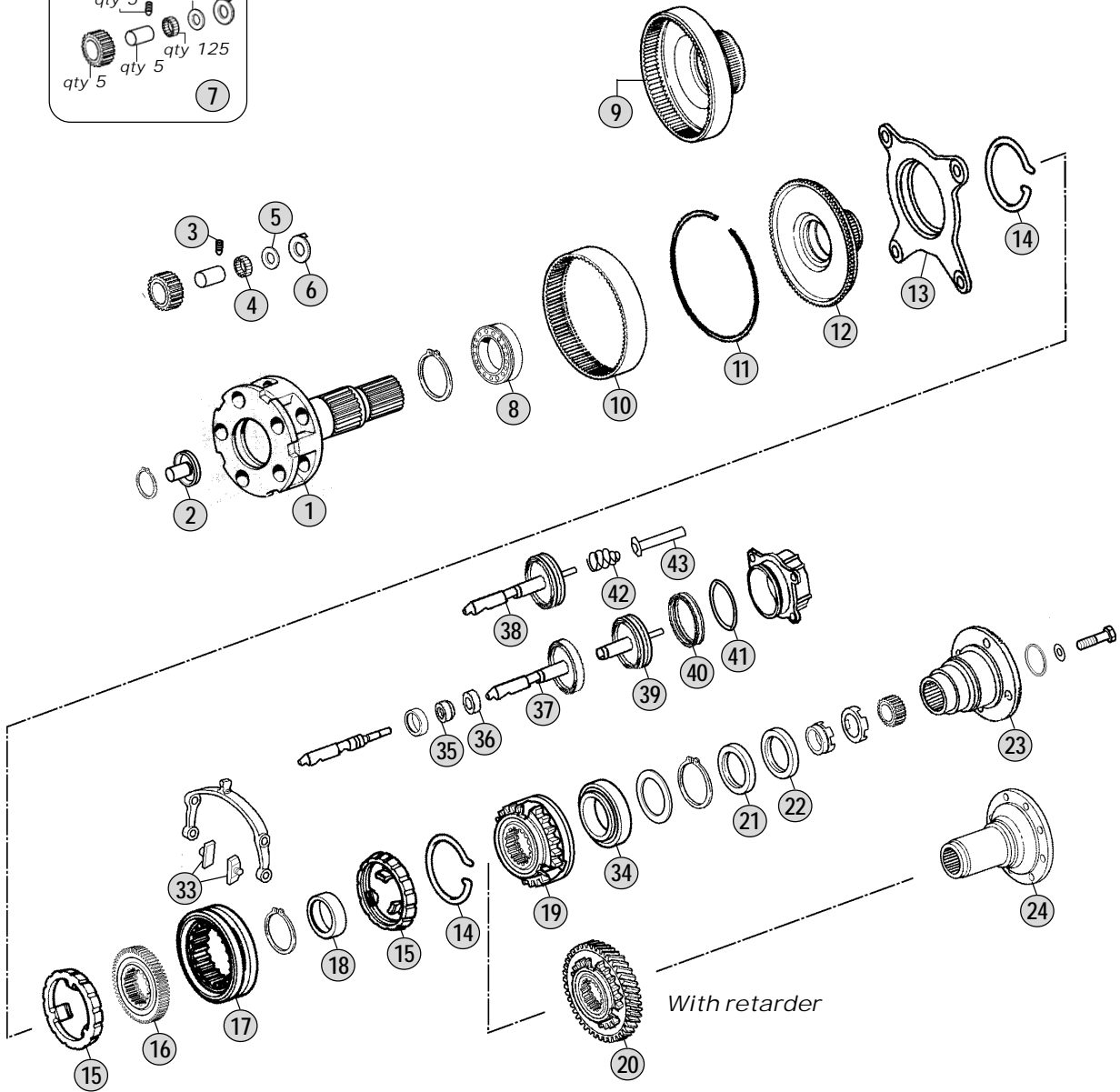
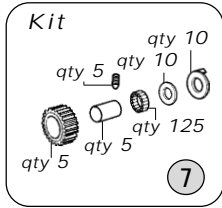
## Date

04 / 2011

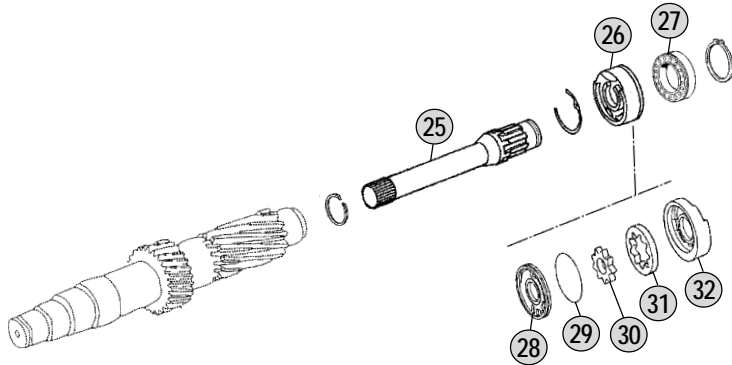
## Table

0385

Adattabile a : **MERCEDES**  
Suitable To :



Oil Pump Shaft & Oil Pump



**Models**

ACTROS MP2  
(CH From 930.xxx To 934.xxx)

**Models**

G280 - 16/11,72 - 0,69 715.525

Fig.	no.	Rif. MB	Description	Q.ty	Note	G280-16/11.72-0.69				
24		945 262 0545	Output Flange D.200 mm	1	For Model with TELMA Retarder	●				
25		389 269 1210	Oil Pump Shaft	1		●				
25		947 269 1010	Oil Pump Shaft	1		●				
25		947 269 1110	Oil Pump Shaft	1		●				
26		389 260 0690	Oil Pump	1	Old Type-Assembly	●				
27		004 981 9225	Bearing 45x75x16	1	With 101.123	●				
27		008 981 5425	Bearing	1	With 101.168/169	●				
28		389 269 2601	Oil Pump Cover	1	New Type-Disassembled	●				
29		029 997 5748	O Ring	1	New Type-Disassembled	●				
30		389 269 1406	Oil Pump Gear	1	New Type-Disassembled	●				
31		389 269 0706	Oil Pump Hub	1	New Type-Disassembled	●				
32		947 269 1001	Oil Pump Housing	1	New Type-Disassembled	●				
33		389 265 2449	Slide Fork	2	(A) BRASS	●				
33		M389 265 2449	Slide Fork	2	(A) IRON	●				
33		947 265 0349	Slide Fork	2	(B) BRASS	●				
33		M947 265 0349	Slide Fork	2	(B) IRON	●				
34		008 981 3025	Bearing 80x150x28	1		●				
34		007 981 8201	Bearing	1	For Model with TELMA Retarder	●				
35		000 267 0197	Oil Seal 22x32x8	1		●				
36		387 267 0650	Bush Th.8(34x22) mm	1		●				
37		930 260 2789	Cylinder	1		●				
38		945 267 2117	Cylinder	1		●				
39		389 267 1018	Cylinder	1		●				
40		024 997 8347	Oil Seal 77x90x17	1		●				
41		017 997 6545	Oil Seal	1		●				
42		008 993 0801	Spring	1		●				
43		000 543 5785	Oil Tube	1		●				
43		000 543 5485	Oil Tube	1		●				

Notes

(A) Up to gearbox 366886  
(B) From gearbox 366887

Date

04 / 2011

Table

0385

16 Speeds  
G280

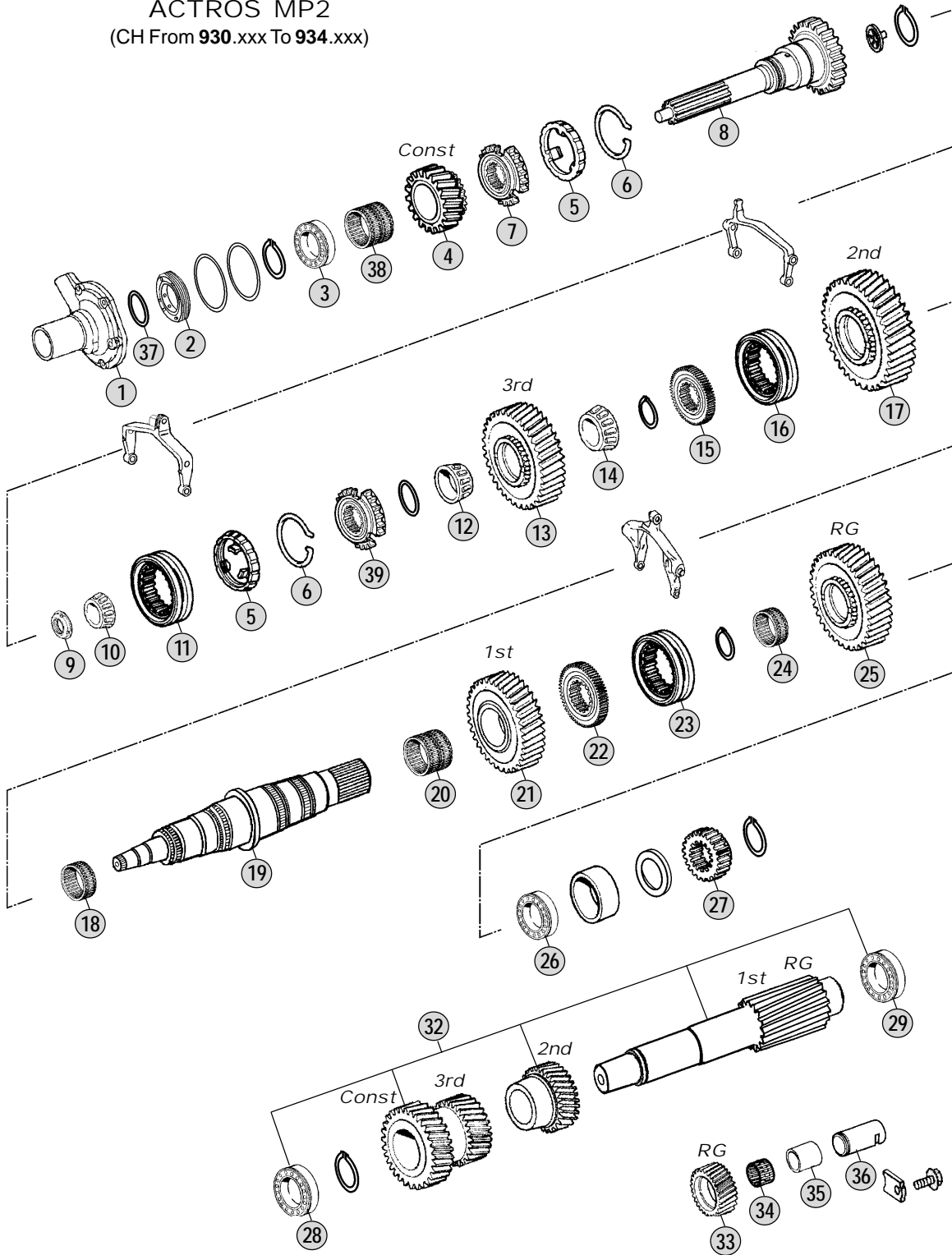


Adattabile a : **MERCEDES**  
 Suitable To :

Modelli Cambio/ Gearbox Models  
**G281 (12 Speeds)**

**Models**

**ACTROS MP2**  
 (CH From 930.xxx To 934.xxx)



**Models**

G281 - 12/14,93 - 1,00 **715.xxx**

Fig.	no.	Rif. MB	Description	Q.ty	Note	G281-12/14,93 - 1,00				
1		945 261 1118	Front Cover	1		●				
2		389 261 0865	Diaphragm	1		●				
3		011 981 1305	Bearing 75x140x34,3	1		●				
4		930 262 0717	Constant Gear	1		●				
5		946 262 6137	Synchronizer Ring	2		●				
5		CEI 119299	Synchronizer Ring	2	LONG LIFE	●				
6		387 262 0893	Elastic Ring	2		●				
7		945 262 5434	Synchronizer Cone	1		●				
8		930 262 0403	Input Shaft 66 T	1		●				
9		945 990 0250	Nut M30x1,5	1		●				
10		014 981 1905	Bearing 39,6x77,7x40	1		●				
11		945 262 6523	Sliding Sleeve	1		●				
11		M945 262 6523	Sliding Sleeve	1	LONG LIFE	●				
12		017 981 5105	Needle Bearing 50x41,3	1		●				
13		930 262 3617	Gear 3rd Speed 31 T	1		●				
14		017 981 7105	Bearing 55x29,80	1		●				
15		945 262 3635	Synchronizer Hub	1		●				
16		930 262 0123	Sliding Sleeve	1		●				
17		930 262 0112	Gear 2nd Speed 38 T	1		●				
18		022 981 5810	Needle Cage	1		●				
19		930 262 0805	Main Shaft	1		●				
20		022 981 5910	Needle Cage	1		●				
21		930 262 0511	Gear 1st Speed 41 T	1		●				
22		945 262 3635	Synchronizer Hub	1		●				
23		930 262 0123	Sliding Sleeve	1		●				
24		022 981 5610	Needle Cage	1		●				
25		930 262 0033	Reverse Gear 45 T	1		●				
25		930 262 0133	Reverse Gear 45 T	1		●				
26		014 981 6105	Bearing 60x130x30	1		●				
27		945 262 0909	Sun Gear 25 T	1		●				
28		015 981 9005	Bearing 50,8x100x3	1		●				
29		017 981 2605	Bearing	1		●				
32		930 260 0024	Countershaft Assy	1	Assy	●				
32		930 260 0324	Countershaft Assy	1		●				
33		930 263 0031	Reverse Gear 24 T	1		●				
34		012 981 8910	Needle Cage K42x50x51ZW	1		●				
35		389 263 0850	Bush Th.18(74x60) mm	1		●				
36		976 263 0030	Reverse Shaft	1		●				
37		019 997 0547	Oil Seal 56x72x8	1		●				
38		022 981 5310	Needle Cage	1		●				
39		930 262 0034	Synchronizer Cone	1		●				

Notes

Date

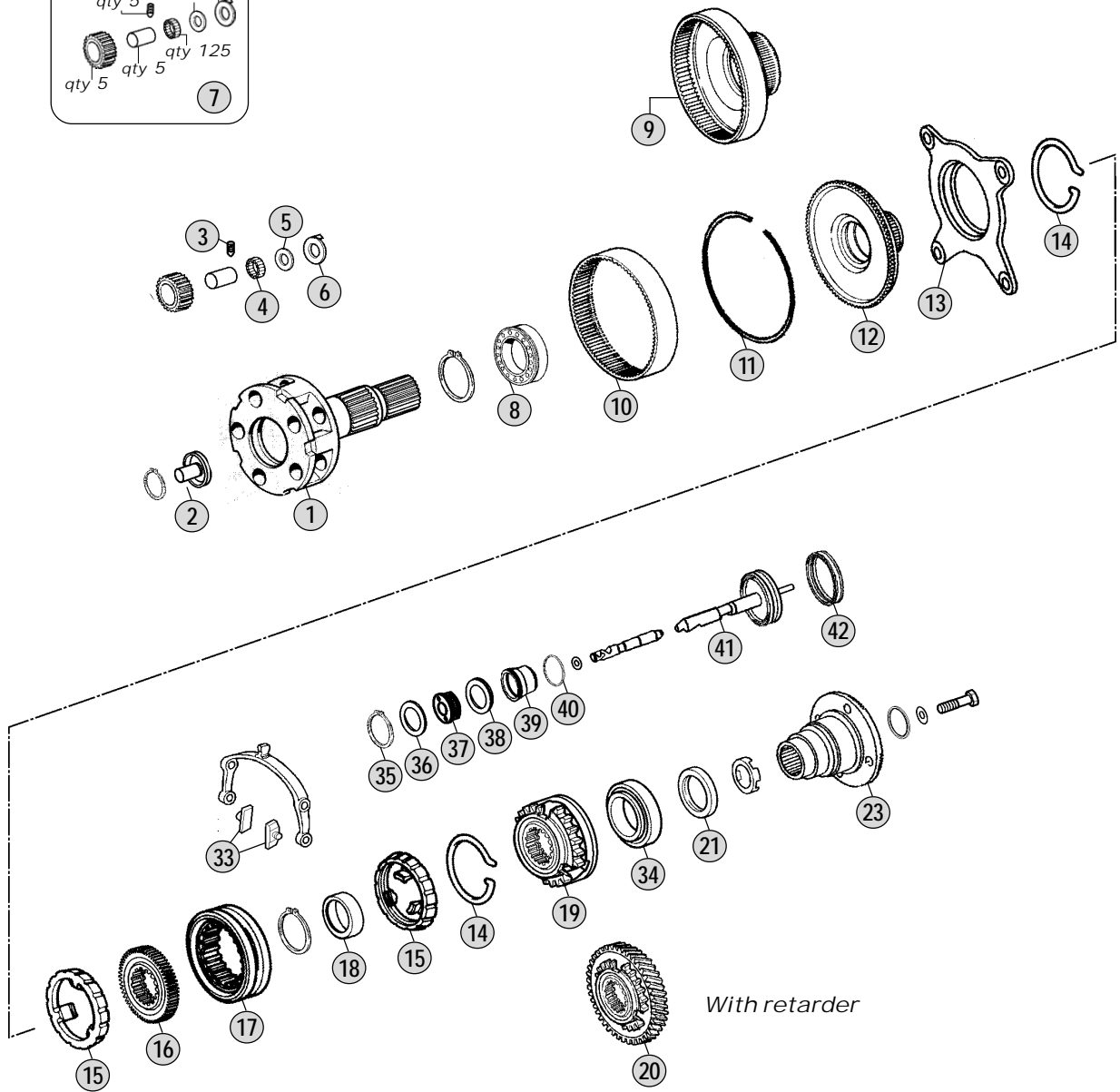
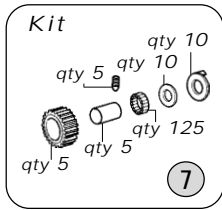
04/ 2011

Table

0390

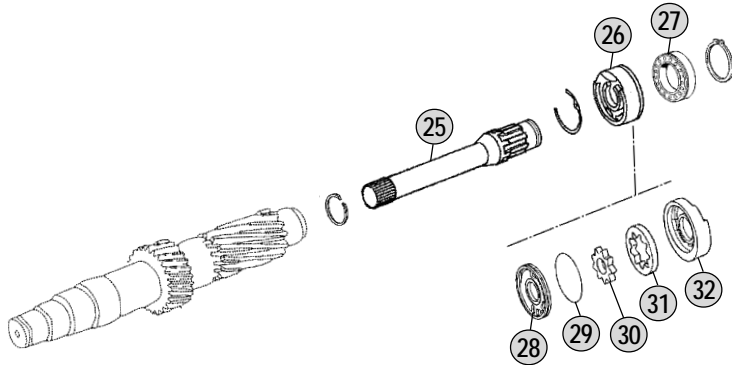
Adattabile a : **MERCEDES**  
 Suitable To :

Modelli Cambio/ Gearbox Models  
**G281 (12 Speeds)**



With retarder

Oil Pump Shaft & Oil Pump



**Models**

ACTROS MP2  
 (CH From 930.xxx To 934.xxx)

**Models**

G281 - 12/14,93 - 1,00 **715.xx**

G281-12/14,93 - 1,00

Fig.	no.	Rif. MB	Description	Q.ty	Note				
1		946 260 3661	Planetary Carrier (Empty)	1	Empty	●			
1		945 260 4661	Planetary Carrier (Complete)	1	Complete	●			
2		945 269 0834	Oil Tube	1		●			
3		000914 006109	Stud 6x14 mm	5		●			
4		000 981 4186	Needle 5x39,8	125		●			
5		389 262 0162	Spacer	10		●			
6		389 262 1462	Thrust Washer	10		●			
7		655 260 0197	Repair Kit	1		●			
8		008 981 1325	Bearing 90x130x14	1		●			
9		945 262 0108	Crown Gear 85 T D.269 mm	1	ALT-1 pc.Fig.10+Fig.11+Fig.12	●			
10		945 262 0208	Crown Gear 85 T D.269-H 70mm	1	ALT-1 pc.Fig.9 (Crown Assy)	●			
10		945 262 0808	Crown Gear 85 T D.271-H 70mm	1	ALT-1 pc.Fig.9 (Crown Assy)	●			
11		389 262 0773	Lock Ring	1		●			
12		389 262 1425	Carrier Hub 85 T	1	ALT-1 pc.Fig.9 (Crown Assy)	●			
13		947 260 3036	Synchronizer Flange	1		●			
14		389 262 0293	Elastic Ring	2		●			
15		947 260 0945	Synchronizer Ring	2		●			
15		CEI 119298	Synchronizer Ring	2	LONG LIFE	●			
16		389 262 2035	Synchronizer Hub	1		●			
17		945 262 6923	Sliding Sleeve	1		●			
17		M945 262 6923	Sliding Sleeve	1	LONG LIFE	●			
18		389 262 0251	Bush	1		●			
19		945 262 3834	Synchronizer Cone	1		●			
20		930 264 0320	Gear W/RET. 64 T	1	With retarder	●			
20		930 264 0420	Gear W/RET. 59 T	1	With Retarder	●			
21		014 997 5148	O Ring 5,3X72,4	1		●			
23		945 262 0045	Output Flange D.180 mm	1		●			
23		930 262 0045	Output Flange D.180 mm	1		●			
23		389 262 0645	Output Flange D.200 mm	1		●			
23		930 262 0145	Output Flange D.200 mm	1		●			
25		947 269 1010	Oil Pump Shaft	1		●			
25		947 269 1110	Oil Pump Shaft	1		●			
26		389 260 0690	Oil Pump	1	Old Type-Assembly	●			
27		008 981 5425	Bearing	1		●			
28		389 269 2601	Oil Pump Cover	1	New Type-Disassembled	●			
29		029 997 5748	O Ring	1	New Type-Disassembled	●			
30		389 269 1406	Oil Pump Gear	1	New Type-Disassembled	●			
31		389 269 0706	Oil Pump Hub	1	New Type-Disassembled	●			
32		947 269 1001	Oil Pump Housing	1	New Type-Disassembled	●			
33		947 265 0349	Slide Fork	2	BRASS	●			
33		M947 265 0349	Slide Fork	2	IRON	●			
34		008 981 3025	Bearing 80x150x28	1		●			
35		006 994 4241	Lock Ring	1		●			
36		389 262 3352	Spacer Th.2,50(64,7x50) mm	1		●			
36		389 262 3354	Spacer Th.1,10(64,7x50) mm	1		●			

Notes

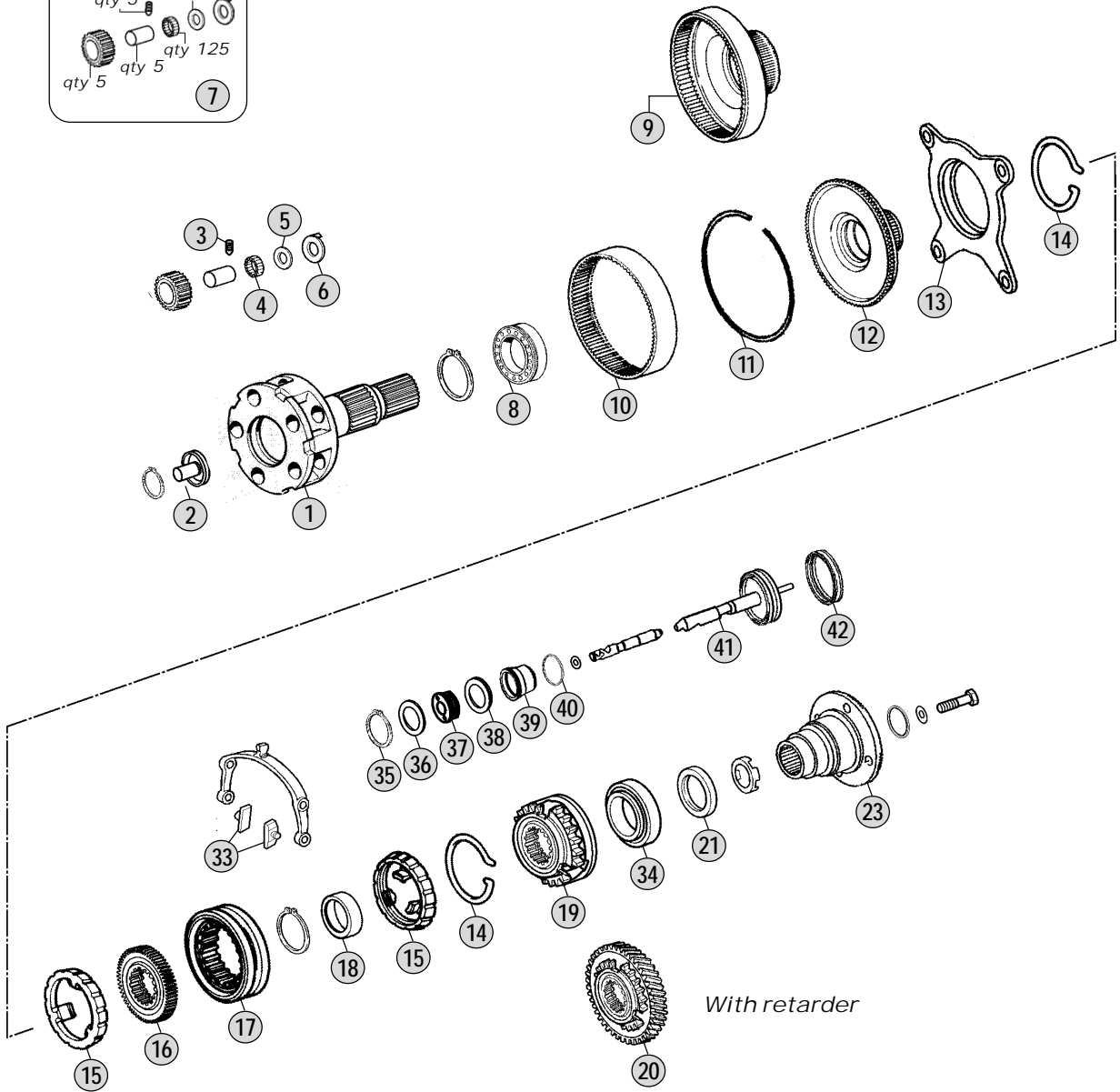
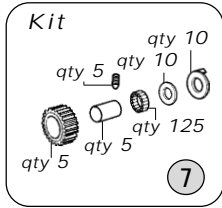
Date

04 / 2011

Table

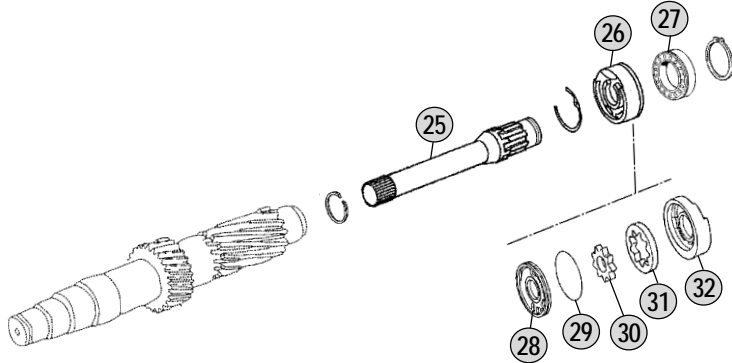
0395

Adattabile a : **MERCEDES**  
Suitable To :



With retarder

Oil Pump Shaft & Oil Pump



**Models**

ACTROS MP2  
(CH From 930.xxx To 934.xxx)

**Models**

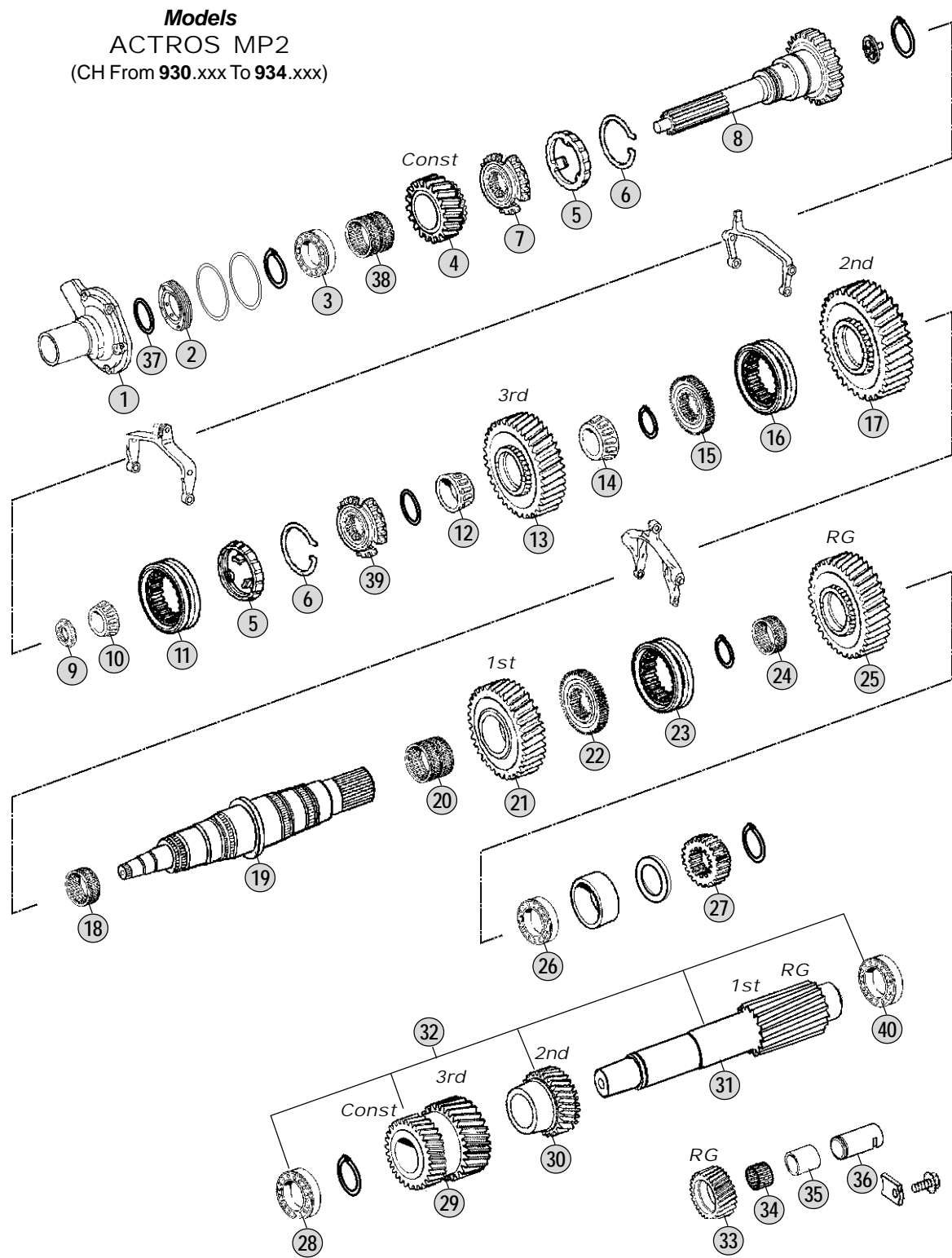
G281 - 12/14,93 - 1,00 715.xx





Adattabile a : **MERCEDES**  
Suitable To :

Modelli Cambio/ Gearbox Models  
**G330 (12 Speeds)**



**Models**

G330 - 12/11,63 - 0,77 **715.380**

Fig.	no.	Rif. MB	Description	Q.ty	Note	G330-12/11,63-0,77				
1		945 261 1118	Front Cover	1		●				
2		389 261 0865	Diaphragm	1		●				
3		011 981 1305	Bearing 75x140x34,3	1		●				
4		930 262 1717	Constant Gear 40 T	1		●				
5		946 262 6137	Synchronizer Ring	2		●				
5		CEI 119299	Synchronizer Ring	2	LONG LIFE	●				
6		387 262 0893	Elastic Ring	2		●				
7		945 262 5434	Synchronizer Cone	1		●				
8		930 262 0403	Input Shaft 66 T	1		●				
9		945 990 0250	Nut M30x1,5	1		●				
10		014 981 1905	Bearing 39,6x77,7x40	1		●				
11		945 262 6523	Sliding Sleeve	1		●				
11		M945 262 6523	Sliding Sleeve	1	LONG LIFE	●				
12		017 981 5105	Needle Bearing 50x41,3	1		●				
13		930 262 3617	Gear 3rd Speed 31 T	1		●				
14		017 981 7105	Bearing 55x29,80	1		●				
15		945 262 3635	Synchronizer Hub	1		●				
16		930 262 0123	Sliding Sleeve	1		●				
17		930 262 0112	Gear 2nd Speed 38 T	1		●				
18		022 981 5810	Needle Cage	1		●				
19		930 262 0805	Main Shaft	1		●				
20		022 981 5910	Needle Cage	1		●				
21		930 262 0511	Gear 1st Speed 41 T	1		●				
22		945 262 3635	Synchronizer Hub	1		●				
23		930 262 0123	Sliding Sleeve	1		●				
24		022 981 5610	Needle Cage	1		●				
25		930 262 0033	Reverse Gear 45 T	1		●				
25		930 262 0133	Reverse Gear 45 T	1		●				
26		014 981 6105	Bearing 60x130x30	1		●				
27		945 262 0909	Sun Gear 25 T	1		●				
28		015 981 9005	Bearing 50,8x100x3	1		●				
29		930 263 1910	Double Gear 30/30 T	1	For 190.443	●				
30		930 263 0112	Constant Gear 23 T	1	For 190.443	●				
31		CEI 105258	Countershaft 15/15 T	1	For 190.443	●				
32		930 260 0124	Countershaft Assy 30/30/23/15/15 T	1	Assy	●				
32		930 260 0424	Countershaft Assy	1	Assy	●				
33		930 263 0031	Reverse Gear 24 T	1		●				
34		012 981 8910	Needle Cage K42x50x51ZW	1		●				
35		389 263 0850	Bush Th.18(74x60) mm	1		●				
36		976 263 0030	Reverse Shaft	1		●				
37		019 997 0547	Oil Seal 56x72x8	1		●				
38		022 981 5310	Needle Cage	1		●				
39		930 262 0034	Synchronizer Cone	1		●				
40		017 981 2605	Bearing	1		●				

Notes

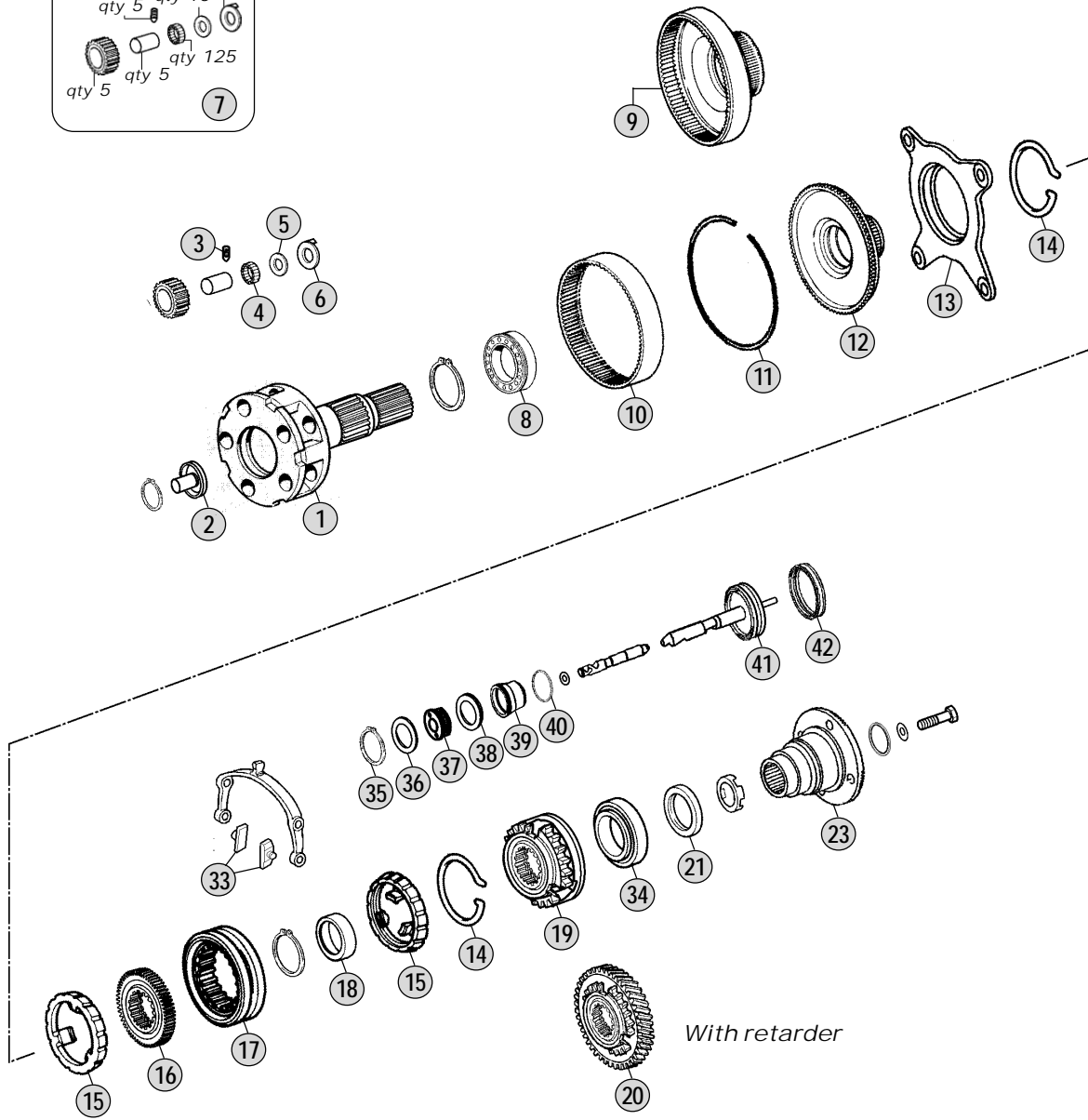
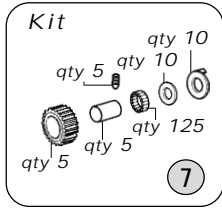
Date

04 / 2011

Table

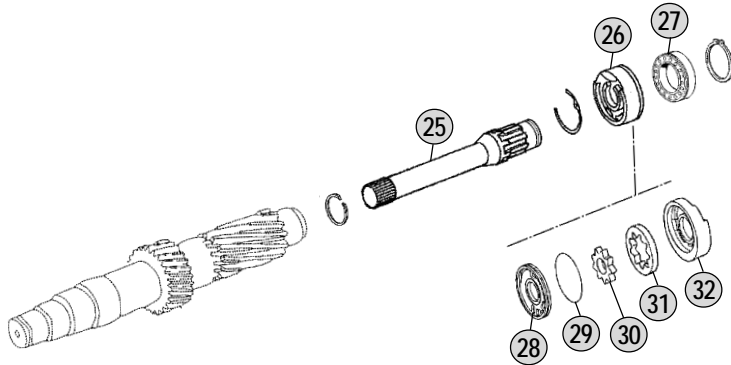
0400

Adattabile a : **MERCEDES**  
Suitable To :



**Models**  
ACTROS MP2  
(CH From 930.xxx To 934.xxx)

Oil Pump Shaft & Oil Pump



**Models**

G330 - 12/11,63 - 0,77 715.380

Fig.	no.	Rif. MB	Description	Q.ty	Note	G330-12/11,63-0,77				
1		946 260 3661	Planetary Carrier (Empty)	1	Empty	●				
1		945 260 4661	Planetary Carrier (Complete)	1	Complete	●				
2		945 269 0834	Oil Tube	1		●				
3		000914 006109	Stud 6x14 mm	5		●				
4		000 981 4186	Needle 5x39,8	125		●				
5		389 262 0162	Spacer	10		●				
6		389 262 1462	Thrust Washer	10		●				
7		655 260 0197	Repair Kit	1		●				
8		008 981 1325	Bearing 90x130x14	1		●				
9		945 262 0108	Crown Gear 85 T D.269 mm	1	ALT-1 pc.Fig.10+Fig.11+Fig.12	●				
10		945 262 0208	Crown Gear 85 T D.269-H 70mm	1	ALT-1 pc.Fig.9 (Crown Assy)	●				
10		945 262 0808	Crown Gear 85 T D.271-H 70mm	1	ALT-1 pc.Fig.9 (Crown Assy)	●				
11		389 262 0773	Lock Ring	1		●				
12		389 262 1425	Carrier Hub 85 T	1	ALT-1 pc.Fig.9 (Crown Assy)	●				
13		947 260 3036	Synchronizer Flange	1		●				
14		389 262 0293	Elastic Ring	2		●				
15		947 260 0945	Synchronizer Ring	2		●				
15		CEI 119298	Synchronizer Ring	2	LONG LIFE	●				
16		389 262 2035	Synchronizer Hub	1		●				
17		945 262 6923	Sliding Sleeve	1		●				
17		M945 262 6923	Sliding Sleeve	1	LONG LIFE	●				
18		389 262 0251	Bush	1		●				
19		945 262 3834	Synchronizer Cone	1		●				
20		930 264 0320	Gear W/RET. 64 T	1	With retarder	●				
20		930 264 0420	Gear W/RET. 59 T	1	With Retarder	●				
21		014 997 5148	O Ring 5,3X72,4	1		●				
23		945 262 0045	Output Flange D.180 mm	1		●				
23		930 262 0045	Output Flange D.180 mm	1		●				
23		389 262 0645	Output Flange D.200 mm	1		●				
23		930 262 0145	Output Flange D.200 mm	1		●				
25		947 269 1010	Oil Pump Shaft	1		●				
25		947 269 1110	Oil Pump Shaft	1		●				
26		389 260 0690	Oil Pump	1	Old Type-Assembly	●				
27		008 981 5425	Bearing	1		●				
28		389 269 2601	Oil Pump Cover	1	New Type-Disassembled	●				
29		029 997 5748	O Ring	1	New Type-Disassembled	●				
30		389 269 1406	Oil Pump Gear	1	New Type-Disassembled	●				
31		389 269 0706	Oil Pump Hub	1	New Type-Disassembled	●				
32		947 269 1001	Oil Pump Housing	1	New Type-Disassembled	●				
33		947 265 0349	Slide Fork	2	BRASS	●				
33		M947 265 0349	Slide Fork	2	IRON	●				
34		008 981 3025	Bearing 80x150x28	1		●				
35		006 994 4241	Lock Ring	1		●				
36		389 262 3352	Spacer Th.2,50(64,7x50) mm	1		●				
36		389 262 3354	Spacer Th.1,10(64,7x50) mm	1		●				

Notes

Date

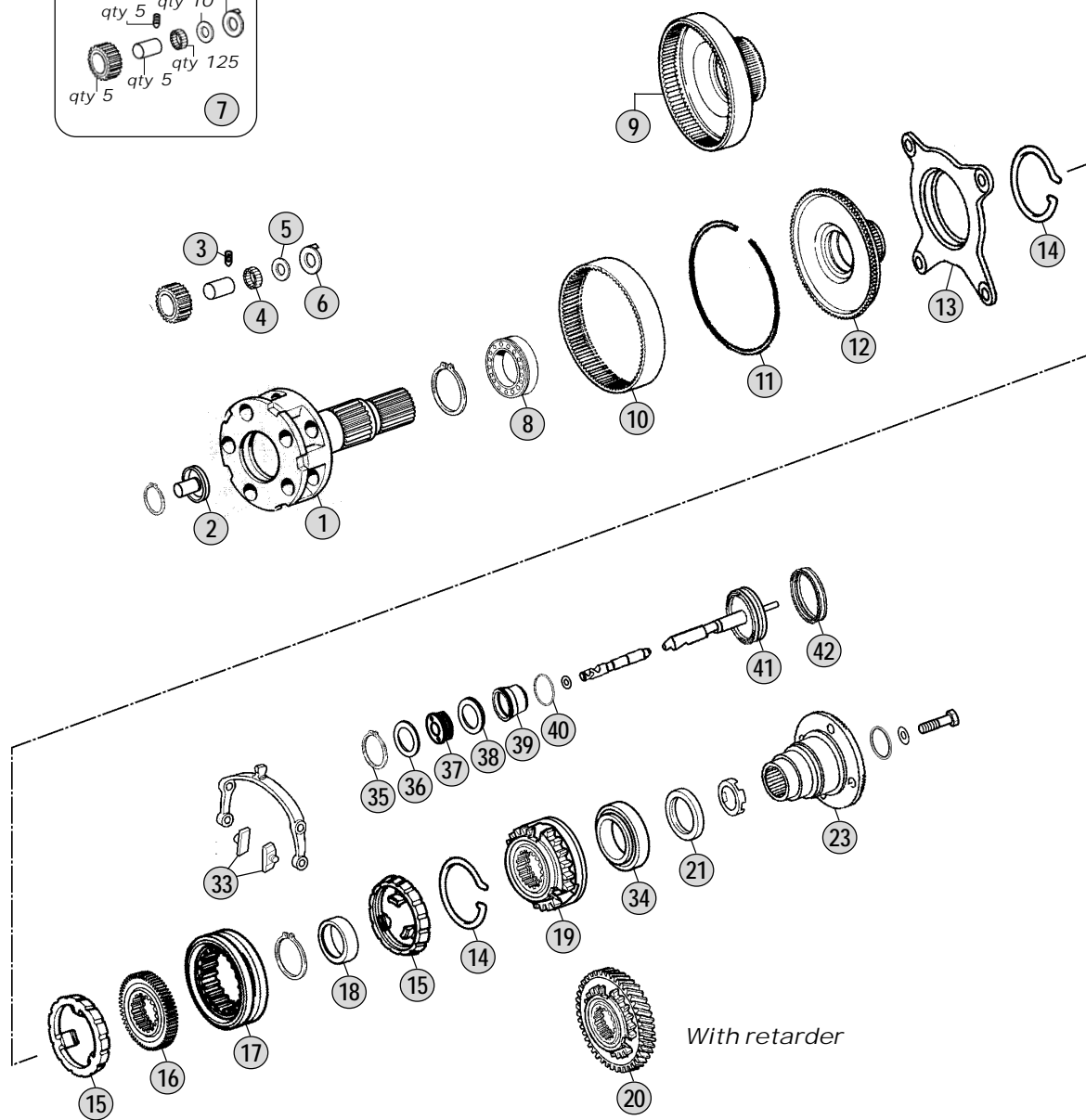
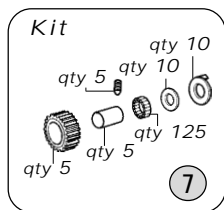
04 / 2011

Table

0405

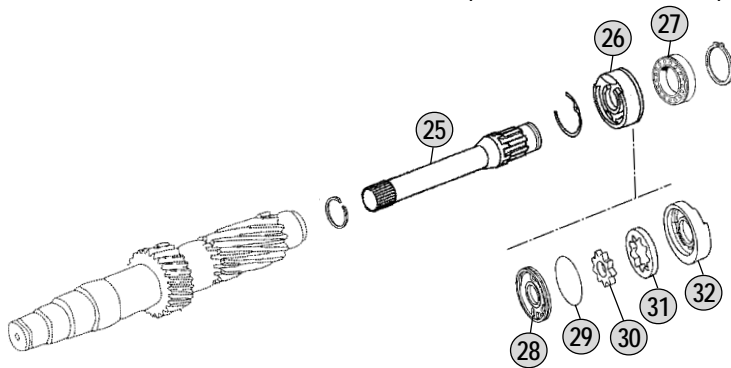
Adattabile a : **MERCEDES**  
 Suitable To :

Modelli Cambio/ Gearbox Models  
**G330 (12 Speeds)**



With retarder

Oil Pump Shaft & Oil Pump



**Models**

ACTROS MP2  
 (CH From 930.xxx To 934.xxx)

**Models**

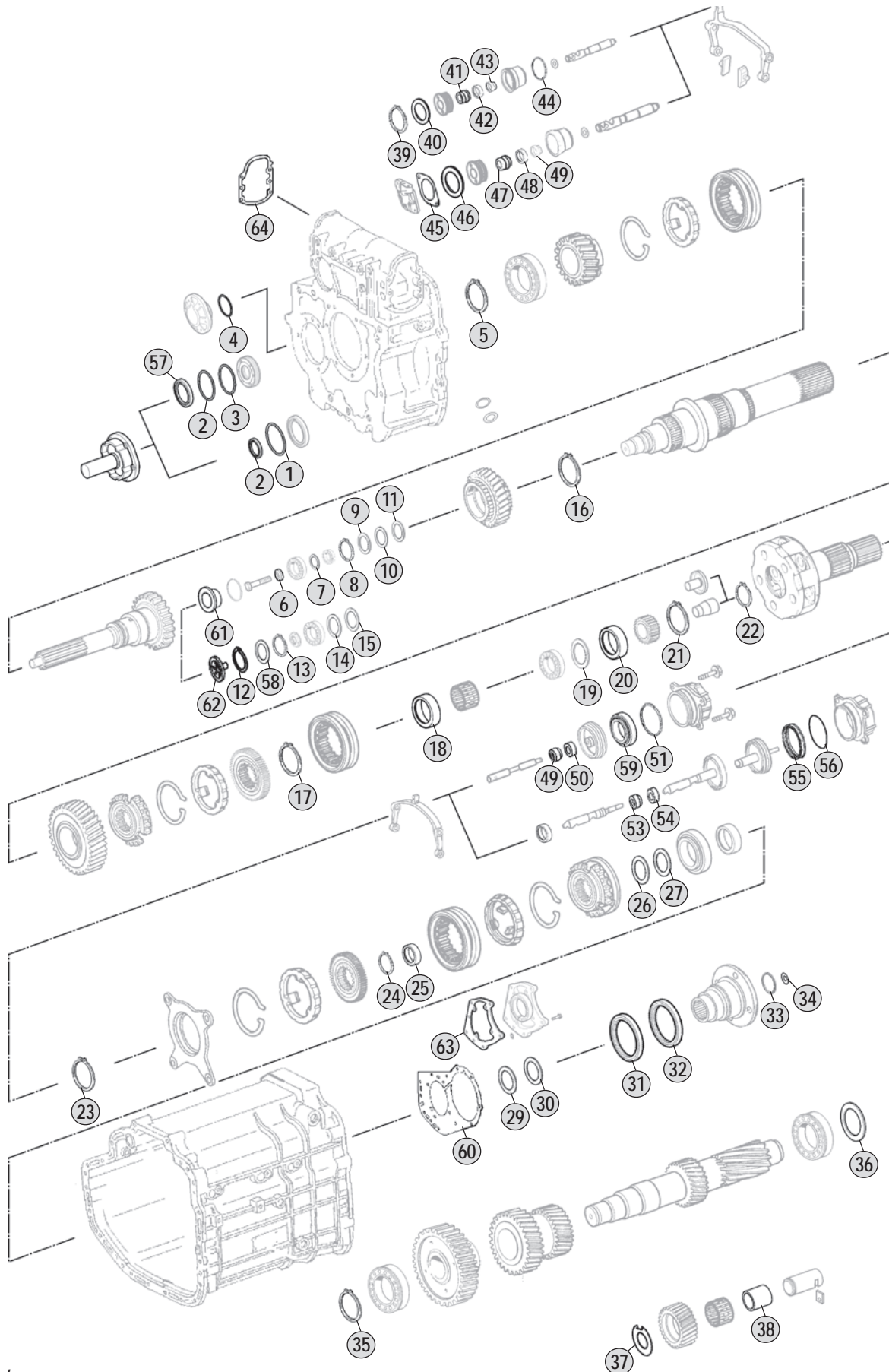
G330 - 12/11,63 - 0,77 715.380





Adattabile a : **MERCEDES**  
 Suitable To :

# Rasamenti / Washers



## Models

G125 - G135 Models SK

G155 - G180 - G200 Models SK

G210 - G240 - G260 Models SK - AXOR - ACTROS

G211 - G231 Models MAXI-ATEGO - AXOR - ACTROS

Fig.	no.	Rif. MB	Description	Q.ty	Note	G125-G135	G155-G180-G200	G210-G240-G260	G271-G231
1		389 262 4152	Spacer Th.0,10(139,5x125,5) mm	1		●			
1		389 262 3055	Spacer Th.0,25(139,5x120,5) mm	1			●	●	
1		389 262 3155	Spacer Th.0,28(139,5x120,5) mm	1			●	●	
1		389 262 3255	Spacer Th.0,31(139,5x120,5) mm	1			●	●	
1		389 262 3355	Spacer Th.0,34(139,5x120,5) mm	1			●	●	
1		389 262 3455	Spacer Th.0,37(139,5x120,5) mm	1			●	●	
1		389 262 3555	Spacer Th.0,40(139,5x120,5) mm	1			●	●	
1		389 262 4452	Spacer Th.0,40(139,5x125,5) mm	1		●	●		
1		389 262 3655	Spacer Th.0,43(139,5x120,5) mm	1			●	●	
1		389 262 1954	Spacer Th.0,45(139,5x125,5) mm	1		●	●		
1		389 262 3755	Spacer Th.0,46(139,5x120,5) mm	1			●	●	
1		389 262 3855	Spacer Th.0,49(139,5x120,5) mm	1			●	●	
1		389 262 2054	Spacer Th.0,50(139,5x125,5) mm	1		●	●		
1		389 262 2154	Spacer Th.0,55 (139,5x125,5) mm	1		●	●		
1		389 262 3955	Spacer Th.0,52(139,5x120,5) mm	1			●	●	
1		389 262 4055	Spacer Th.0,55(139,5x120,5) mm	1			●	●	
1		389 262 4155	Spacer Th.0,58(139,5x120,5) mm	1			●	●	
1		389 262 2254	Spacer Th.0,60(139,5x125,5) mm	1		●	●		
1		389 262 4255	Spacer Th.0,61 (139,5x120,5) mm	1			●	●	
1		389 262 4355	Spacer Th.0,64(139,5x120,5) mm	1			●	●	
1		389 262 2354	Spacer Th.0,65 (139,5x125,5) mm	1		●	●		
1		389 262 4455	Spacer Th.0,67(139,5x120,5) mm	1			●	●	
1		389 262 4555	Spacer Th.0,70(139,5x120,5) mm	1			●	●	
1		389 262 2454	Spacer Th.0,70(139,5x125,5) mm	1		●	●		
1		389 262 4655	Spacer Th.0,73(139,5x120,5) mm	1			●	●	
1		389 262 2554	Spacer Th.0,75 (139,5x125,5) mm	1		●	●		
1		389 262 4755	Spacer Th.0,76(139,5x120,5) mm	1			●	●	
1		389 262 4855	Spacer Th.0,79(139,5x120,5) mm	1			●	●	
1		389 262 4955	Spacer Th.0,82(139,5x120,5) mm	1			●	●	
1		389 262 5055	Spacer Th.0,85(139,5x120,5) mm	1			●	●	
1		389 262 5155	Spacer Th.0,88(139,5x120,5) mm	1			●	●	
1		389 262 5255	Spacer Th.0,91(139,5x120,5) mm	1			●	●	
1		389 262 5355	Spacer Th.0,94(139,5x120,5) mm	1				●	
1		389 262 5455	Spacer Th.0,97(139,5x120,5) mm	1				●	
1		389 262 5555	Spacer Th.1,00(139,5x120,5) mm	1				●	
1		389 262 5655	Spacer Th.1,03(139,5x120,5) mm	1				●	
1		389 262 5755	Spacer Th.1,06(139,5x120,5) mm	1				●	
1		389 262 5855	Spacer Th.1,09(139,5x120,5) mm	1				●	
1		389 262 5955	Spacer Th.1,12(139,5x120,5) mm	1				●	
1		389 262 2654	Spacer Th.2,00 (139,5x125,5) mm	1		●	●		
1		389 262 7755	Spacer Th.4,84 mm	1		●			
1		389 262 7855	Spacer Th.4,87 mm	1		●			
1		389 262 7955	Spacer Th.4,90 mm	1		●			
1		389 262 8055	Spacer Th.4,93 mm	1		●			
1		389 262 8155	Spacer Th.4,96 mm	1		●			

Notes

Date

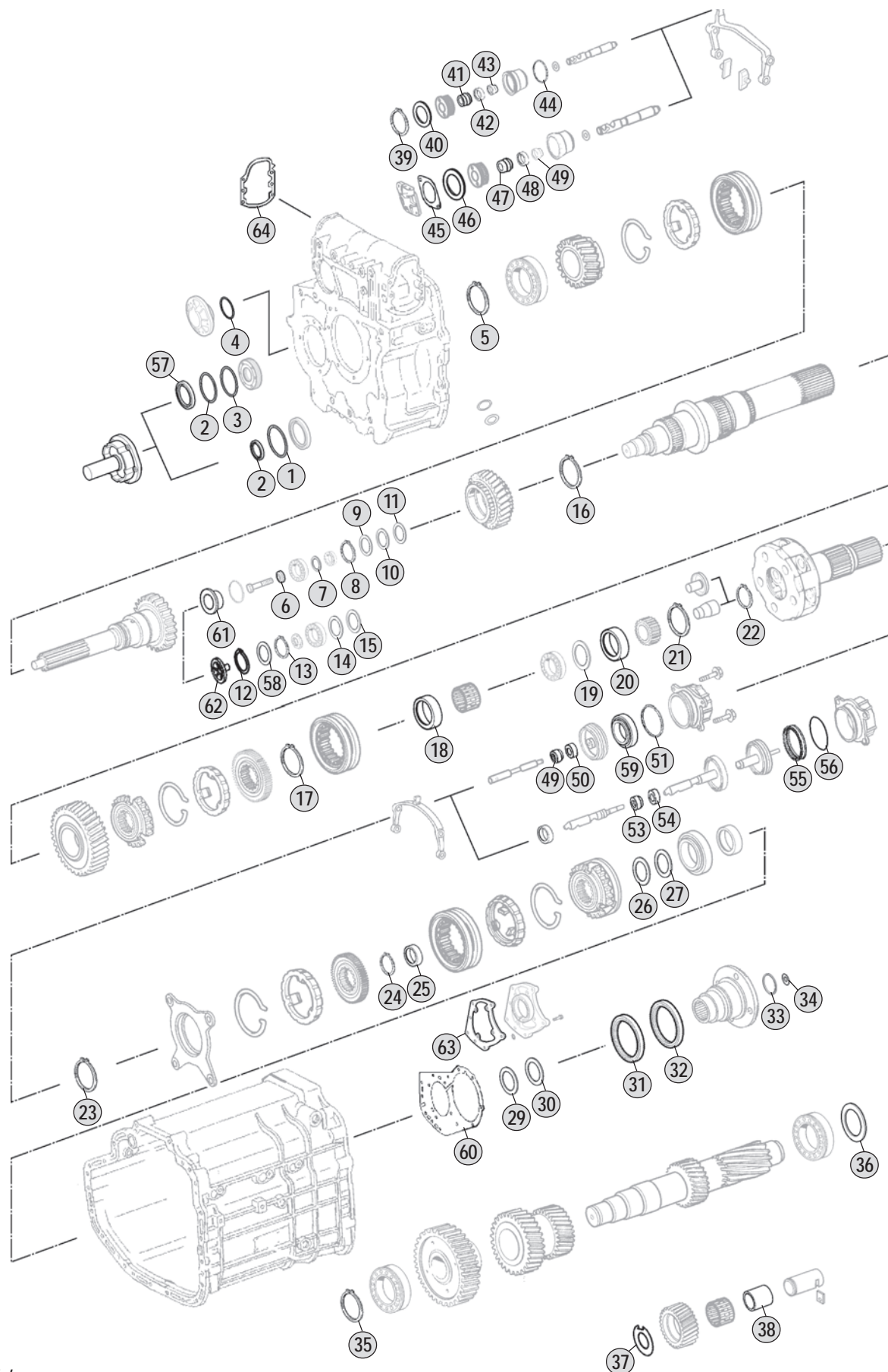
04 / 2011

Table

0410

Adattabile a : **MERCEDES**

Rasamenti / Washers

**Models**

G125 - G135 Models SK

G155 - G180 - G200 Models SK

G210 - G240 - G260 Models SK - AXOR - ACTROS

G211 - G231 Models MAXI-ATEGO - AXOR - ACTROS

Fig.	no.	Rif. MB	Description	Q.ty	Note	G125-G135	G155-G180-G200	G210-G240-G260	G271-G231
1		389 262 8255	Spacer Th.4,99 mm	1		●			
1		389 262 8355	Spacer Th.5,02 mm	1		●			
1		389 262 8455	Spacer Th.5,05 mm	1		●			
1		389 262 8555	Spacer Th.5,09 mm	1		●			
1		389 262 8655	Spacer Th.5,11 mm	1		●			
1		389 262 8855	Spacer Th.5,17 mm	1		●			
1		389 262 9055	Spacer Th.5,23 mm	1		●			
2		015 997 0347	Seal Ring Th.8(64x45) mm	1		●			
2		024 997 3047	Seal Ring 52x68x8 mm	1			●		
2		028 997 2248	Ring D.139,5x145,5 mm	1			●	●	
2		020 997 7848	Ring D.139,5x145,5 mm	1			●	●	
3		406 337 0252	Spacer Th.0,10(99,5x85) mm	1			●		
3		406 337 0352	Spacer Th.0,20(99,5x85) mm	1			●		
3		389 263 3252	Spacer Th.0,40(99,5x85) mm	1			●		
3		389 263 5252	Spacer Th.0,37(99,5x85) mm	1			●		
3		389 263 5252	Spacer Th.0,37(99,5x85) mm	1			●		
3		389 263 5352	Spacer Th.0,40(99,5x85) mm	1			●		
3		389 263 5452	Spacer Th.0,43(99,5x85) mm	1			●		
3		389 263 5552	Spacer Th.0,46(99,5x85) mm	1			●		
3		389 263 5652	Spacer Th.0,49(99,5x85) mm	1			●		
3		389 263 5752	Spacer Th.0,52(99,5x85) mm	1			●		
3		389 263 5852	Spacer Th.0,55(99,5x85) mm	1			●		
3		389 263 5952	Spacer Th.0,58(99,5x85) mm	1			●		
3		389 263 6052	Spacer Th.0,61(99,5x85) mm	1			●		
3		389 263 6152	Spacer Th.0,64(99,5x85) mm	1			●		
3		389 263 6252	Spacer Th.0,67(99,5x85) mm	1			●		
3		389 263 6352	Spacer Th.0,70(99,5x85) mm	1			●		
3		389 263 6452	Spacer Th.0,73(99,5x85) mm	1			●		
3		389 263 6552	Spacer Th.0,76(99,5x85) mm	1			●		
3		389 263 6652	Spacer Th.0,79(99,5x85) mm	1			●		
3		389 263 6752	Spacer Th.0,82(99,5x85) mm	1			●		
3		389 263 6852	Spacer Th.0,85(99,5x85) mm	1			●		
3		389 263 6952	Spacer Th.0,88(99,5x85) mm	1			●		
3		389 263 7052	Spacer Th.0,91(99,5x85) mm	1			●		
3		389 263 7152	Spacer Th.0,94(99,5x85) mm	1			●		
3		389 263 7252	Spacer Th.0,97(99,5x85) mm	1			●		
3		389 263 7352	Spacer Th.1,00(99,5x85) mm	1			●		
3		389 263 7452	Spacer Th.1,03(99,5x85) mm	1			●		
3		389 263 7552	Spacer Th.1,06(99,5x85) mm	1			●		
3		389 263 7652	Spacer Th.1,09(99,5x85) mm	1			●		
3		389 263 7752	Spacer Th.1,12(99,5x85) mm	1			●		
3		389 263 7852	Spacer Th.1,15(99,5x85) mm	1			●		
3		389 263 7952	Spacer Th.1,18(99,5x85) mm	1			●		
3		389 263 8052	Spacer Th.1,21(99,5x85) mm	1			●		
3		389 263 8152	Spacer Th.1,24(99,5x85) mm	1			●		

Notes

Date

04 / 2011

Table

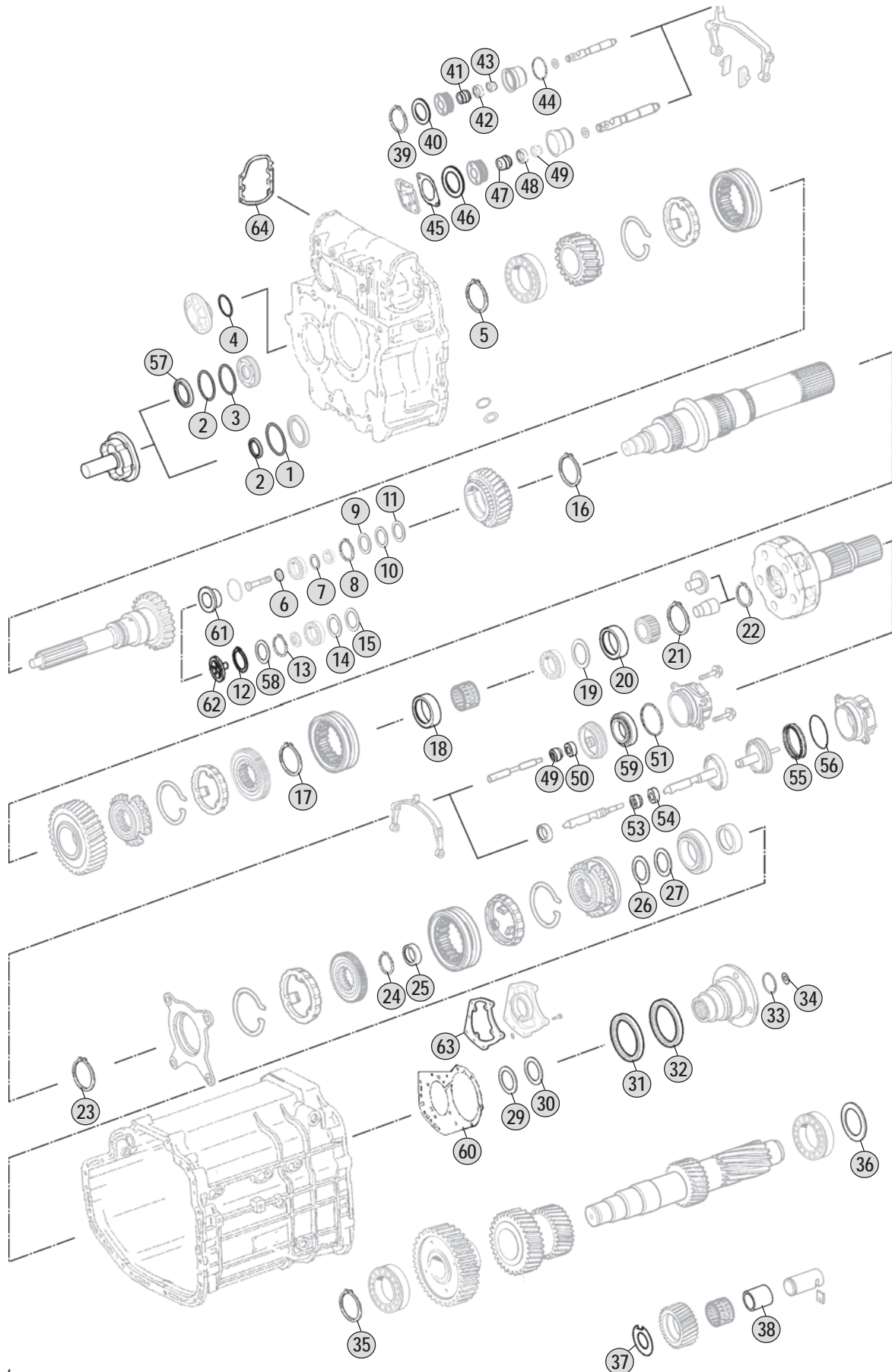
0410

Rasamenti  
Washers



Adattabile a : **MERCEDES**  
 Suitable To :

# Rasamenti / Washers



## Models

G125 - G135 Models SK

G155 - G180 - G200 Models SK

G210 - G240 - G260 Models SK - AXOR - ACTROS

G211 - G231 Models MAXI-ATEGO - AXOR - ACTROS

Fig.	no.	Rif. MB	Description	Q.ty	Note	G125-G135	G155-G180-G200	G210-G240-G260	G211-G231
3		389 263 8252	Spacer Th.1,27(99,5x85) mm	1			●		
3		389 263 8352	Spacer Th.1,30(99,5x85) mm	1			●		
3		389 263 8452	Spacer Th.1,33(99,5x85) mm	1			●		
3		389 263 8552	Spacer Th.1,36(99,5x85) mm	1			●		
3		389 263 8652	Spacer Th.1,39(99,5x85) mm	1			●		
3		389 262 0955	Spacer Th.0,10(139,5x120,5) mm	1				●	
3		389 262 0855	Spacer Th.0,15(139,5x120,5) mm	1				●	
3		389 262 0755	Spacer Th.0,20(139,5x120,5) mm	1				●	
3		389 262 0655	Spacer Th.0,40(139,5x120,5) mm	1				●	
3		389 262 0255	Spacer Th.0,50(139,5x120,5) mm	1				●	
3		389 262 0155	Spacer Th.0,55(139,5x120,5) mm	1				●	
3		389 262 0555	Spacer Th.0,80(139,5x120,5) mm	1				●	
3		389 262 3055	Spacer Th.0,25(139,5x120,5) mm	1				●	
3		389 262 3155	Spacer Th.0,28(139,5x120,5) mm	1				●	
3		389 262 3255	Spacer Th.0,31(139,5x120,5) mm	1				●	
3		389 262 3355	Spacer Th.0,34(139,5x120,5) mm	1				●	
3		389 262 3455	Spacer Th.0,37(139,5x120,5) mm	1				●	
3		389 262 3555	Spacer Th.0,40(139,5x120,5) mm	1				●	
3		389 262 3655	Spacer Th.0,43(139,5x120,5) mm	1				●	
3		389 262 3755	Spacer Th.0,46(139,5x120,5) mm	1				●	
3		389 262 3855	Spacer Th.0,49(139,5x120,5) mm	1				●	
3		389 262 3955	Spacer Th.0,52(139,5x120,5) mm	1				●	
3		389 262 4055	Spacer Th.0,55(139,5x120,5) mm	1				●	
3		389 262 4155	Spacer Th.0,58(139,5x120,5) mm	1				●	
3		389 262 4255	Spacer Th.0,61 (139,5x120,5) mm	1			●		
3		389 262 4355	Spacer Th.0,64(139,5x120,5) mm	1				●	
3		389 262 4455	Spacer Th.0,67(139,5x120,5) mm	1				●	
3		389 262 4555	Spacer Th.0,70(139,5x120,5) mm	1			●		
3		389 262 4655	Spacer Th.0,73(139,5x120,5) mm	1			●		
3		389 262 4755	Spacer Th.0,76(139,5x120,5) mm	1			●		
3		389 262 4855	Spacer Th.0,79(139,5x120,5) mm	1				●	
3		389 262 4955	Spacer Th.0,82(139,5x120,5) mm	1				●	
3		389 262 5055	Spacer Th.0,85(139,5x120,5) mm	1				●	
3		389 262 5155	Spacer Th.0,88(139,5x120,5) mm	1				●	
3		389 262 5255	Spacer Th.0,91(139,5x120,5) mm	1				●	
3		389 262 5355	Spacer Th.0,94(139,5x120,5) mm	1				●	
3		389 262 5455	Spacer Th.0,97(139,5x120,5) mm	1				●	
3		389 262 5555	Spacer Th.1,00(139,5x120,5) mm	1				●	
3		389 262 5655	Spacer Th.1,03(139,5x120,5) mm	1				●	
3		389 262 5755	Spacer Th.1,06(139,5x120,5) mm	1				●	
3		389 262 5855	Spacer Th.1,09(139,5x120,5) mm	1				●	
3		389 262 5955	Spacer Th.1,12(139,5x120,5) mm	1				●	
3		389 262 9654	Spacer Th.2,00(139,5x120,5) mm	1				●	
4		406 337 0252	Spacer Th.0,10(99,5x85) mm	1		●	●	●	
4		406 337 0352	Spacer Th.0,20(99,5x85) mm	1		●	●	●	

Notes

Date

04 / 2011

Table

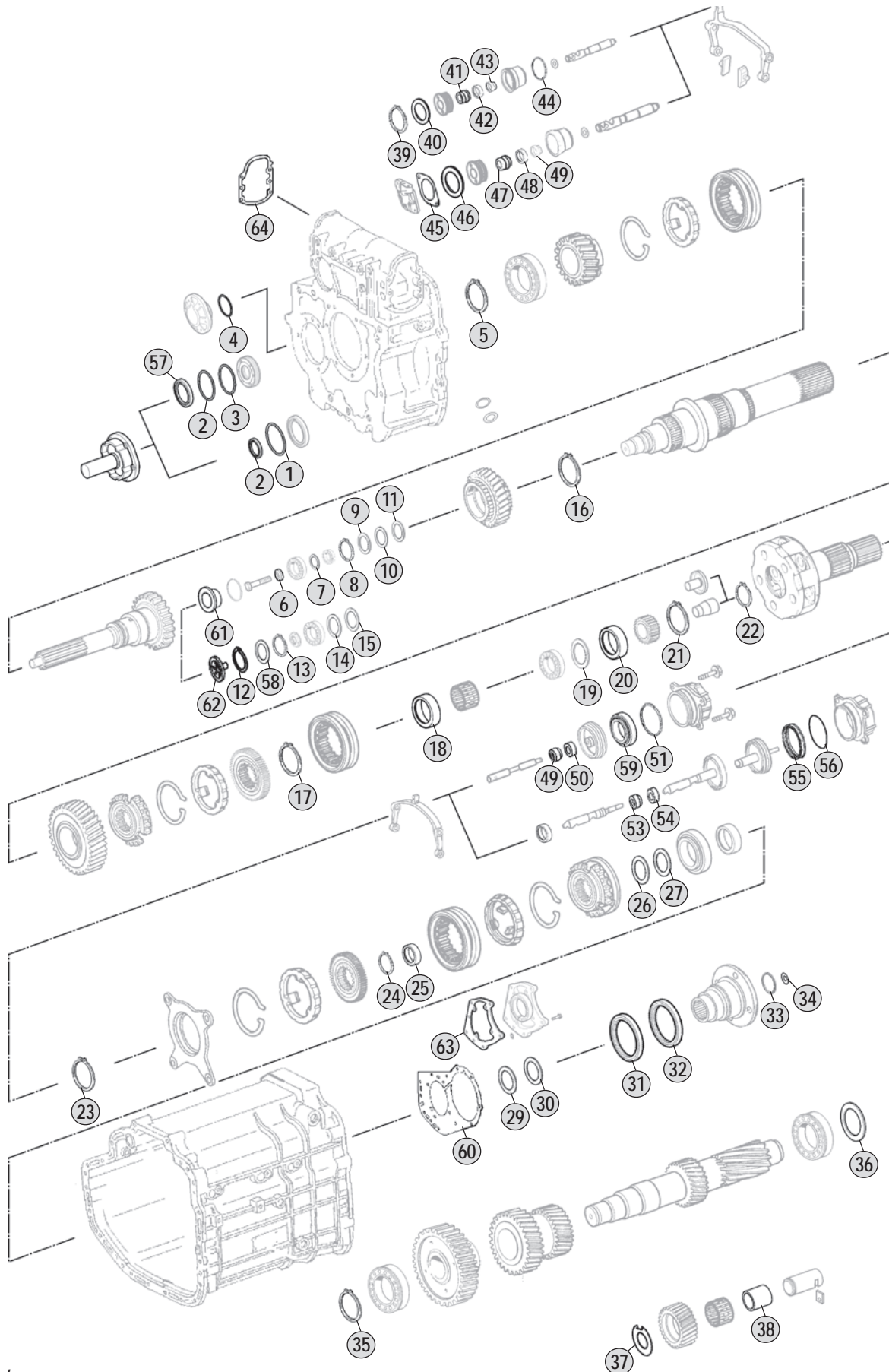
0410

Rasamenti  
Washers



Adattabile a : **MERCEDES**  
 Suitable To :

# Rasamenti / Washers



## Models

G125 - G135 Models SK

G155 - G180 - G200 Models SK

G210 - G240 - G260 Models SK - AXOR - ACTROS

G211 - G231 Models MAXI-ATEGO - AXOR - ACTROS

Fig.	no.	Rif. MB	Description	Q.ty	Note	G125-G135	G155-G180-G200	G210-G240-G260	G271-G231
4		389 263 3252	Spacer Th.0,40(99,5x85) mm	1		●	●	●	
4		389 263 5252	Spacer Th.0,37(99,5x85) mm	1		●	●	●	
4		389 263 5352	Spacer Th.0,40(99,5x85) mm	1		●	●	●	
4		389 263 5452	Spacer Th.0,43(99,5x85) mm	1		●	●	●	
4		389 263 5552	Spacer Th.0,46(99,5x85) mm	1		●	●	●	●
4		389 263 5652	Spacer Th.0,49(99,5x85) mm	1		●	●	●	●
4		389 263 5752	Spacer Th.0,52(99,5x85) mm	1		●	●	●	●
4		389 263 5852	Spacer Th.0,55(99,5x85) mm	1		●	●	●	●
4		389 263 5952	Spacer Th.0,58(99,5x85) mm	1		●	●	●	●
4		389 263 6052	Spacer Th.0,61(99,5x85) mm	1		●	●	●	●
4		389 263 6152	Spacer Th.0,64(99,5x85) mm	4		●	●	●	●
4		389 263 6252	Spacer Th.0,67(99,5x85) mm	1		●	●	●	●
4		389 263 6352	Spacer Th.0,70(99,5x85) mm	1		●	●	●	●
4		389 263 6452	Spacer Th.0,73(99,5x85) mm	1		●	●	●	●
4		389 263 6552	Spacer Th.0,76(99,5x85) mm	1		●	●	●	●
4		389 263 6652	Spacer Th.0,79(99,5x85) mm	1		●	●	●	●
4		389 263 6752	Spacer Th.0,82(99,5x85) mm	1		●	●	●	●
4		389 263 6852	Spacer Th.0,85(99,5x85) mm	1		●	●	●	●
4		389 263 6952	Spacer Th.0,88(99,5x85) mm	1		●	●	●	●
4		389 263 7052	Spacer Th.0,91(99,5x85) mm	1		●	●	●	●
4		389 263 7152	Spacer Th.0,94(99,5x85) mm	1		●	●	●	●
4		389 263 7252	Spacer Th.0,97(99,5x85) mm	1		●	●	●	●
4		389 263 7352	Spacer Th.1,00(99,5x85) mm	1		●	●	●	●
4		389 263 7452	Spacer Th.1,03(99,5x85) mm	1		●	●	●	●
4		389 263 7552	Spacer Th.1,06(99,5x85) mm	1		●	●	●	●
4		389 263 7652	Spacer Th.1,09(99,5x85) mm	1		●	●	●	●
4		389 263 7752	Spacer Th.1,12(99,5x85) mm	1		●	●	●	●
4		389 263 7852	Spacer Th.1,15(99,5x85) mm	1		●	●	●	●
4		389 263 7952	Spacer Th.1,18(99,5x85) mm	1		●	●	●	●
4		389 263 8052	Spacer Th.1,21(99,5x85) mm	1		●	●	●	●
4		389 263 8152	Spacer Th.1,24(99,5x85) mm	1		●	●	●	●
4		389 263 8252	Spacer Th.1,27(99,5x85) mm	1		●	●	●	●
4		389 263 8352	Spacer Th.1,30(99,5x85) mm	1		●	●	●	●
4		389 263 8452	Spacer Th.1,33(99,5x85) mm	1		●	●	●	●
4		389 263 8552	Spacer Th.1,36(99,5x85) mm	1		●	●	●	●
4		389 263 8652	Spacer Th.1,39(99,5x85) mm	1		●	●	●	●
5		387 262 0473	Seeger Ring Th.2,40 mm	1		●			
5		387 262 0573	Seeger Ring Th.2,45 mm	1		●			
5		387 262 0673	Seeger Ring Th.2,50 mm	1		●			
5		387 262 0773	Seeger Ring Th.2,55 mm	1		●			
5		387 262 0873	Seeger Ring Th.2,60 mm	1		●			
5		387 262 0973	Seeger Ring Th.2,65 mm	1		●			
5		387 262 7673	Seeger Ring Th.2,70 mm	1		●			
5		387 262 7773	Seeger Ring Th.2,75 mm	1		●			
5		387 262 7873	Seeger Ring Th.2,80 mm	1		●			

Notes

Date

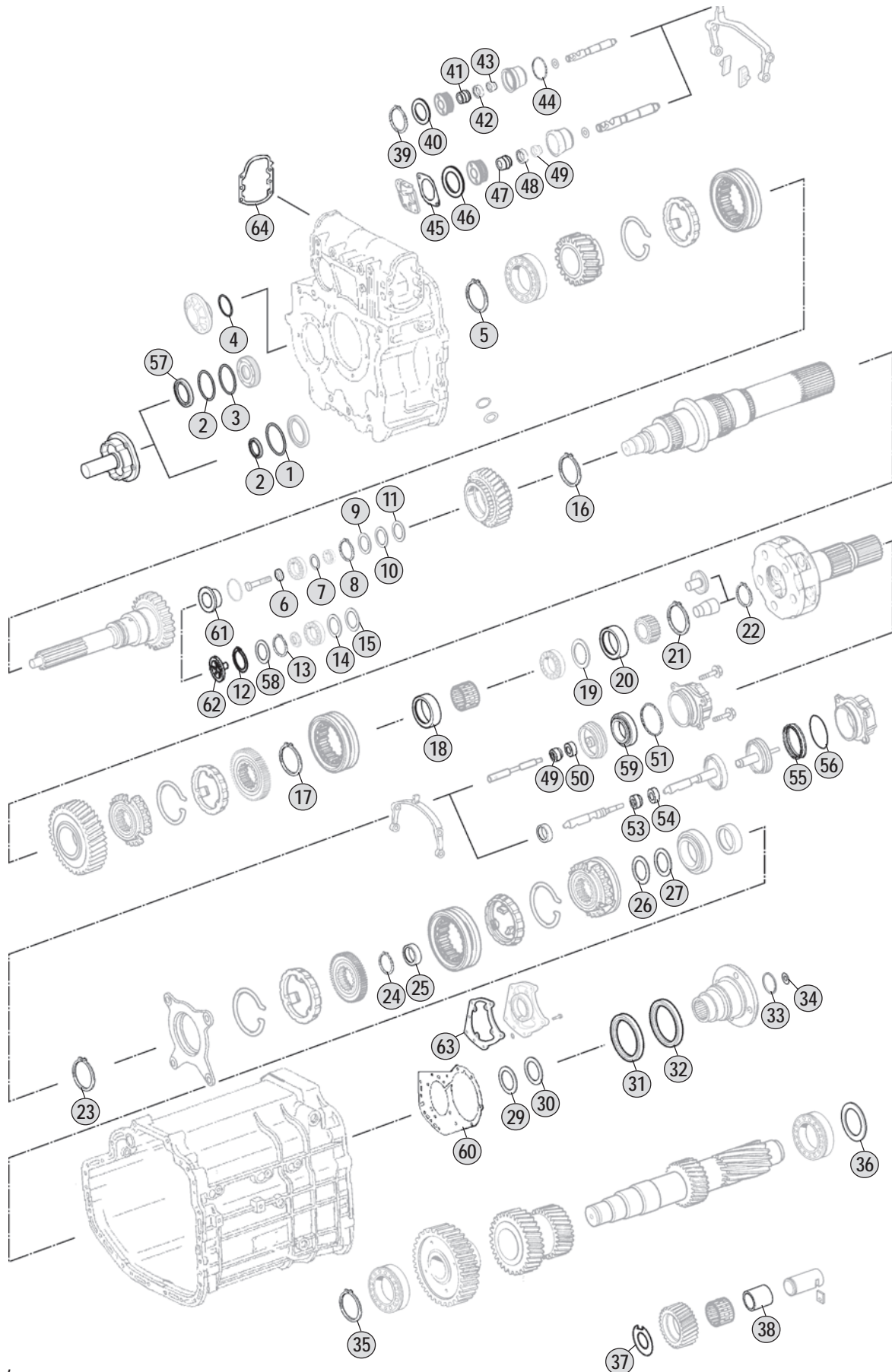
04 / 2011

Table

0410

Adattabile a : **MERCEDES**  
 Suitable To :

# Rasamenti / Washers



## Models

G125 - G135 Models SK

G155 - G180 - G200 Models SK

G210 - G240 - G260 Models SK - AXOR - ACTROS

G211 - G231 Models MAXI-ATEGO - AXOR - ACTROS

Fig.	no.	Rif. MB	Description	Q.ty	Note	G125-G135	G155-G180-G200	G210-G240-G260	G271-G231
5		387 262 8673	Seeger ring Th.3,12 mm	1			●	●	●
5		387 262 8773	Seeger ring Th.3,18 mm	1			●	●	●
5		387 262 8873	Seeger ring Th.3,24 mm	1			●	●	●
5		387 262 8973	Seeger ring Th.3,26 mm	1			●	●	●
5		387 262 9073	Seeger ring Th.3,34 mm	1			●	●	●
5		387 262 9173	Seeger ring Th.3,35 mm	1			●	●	●
5		387 262 9273	Seeger ring Th.3,44 mm	1			●	●	●
5		387 262 9373	Seeger ring Th.3,50 mm	1			●	●	●
5		387 262 6873	Seeger ring Th.3,64 mm	1			●		
5		387 262 6973	Seeger ring Th.3,68 mm	1			●		
5		387 262 7073	Seeger ring Th.3,72	1			●		
5		387 262 7173	Seeger ring Th.3,78 mm	1			●		
5		387 262 7273	Seeger ring Th.3,82 mm	1			●		
5		387 262 7373	Seeger ring Th.3,88 mm	1			●		
5		387 262 7473	Seeger ring Th.3,92 mm	1			●		
5		387 262 7573	Seeger ring Th.3,98 mm	1			●		
6		389 262 0862	Washer	1		●			
6		389 262 0062	Washer	1			●		
7		389 262 7252	Spacer Th.0,10(54,7x43) mm	1		●			
7		389 262 7152	Spacer Th.0,15(54,7x43) mm	1		●			
7		389 262 7052	Spacer Th.0,20(54,7x43) mm	1		●			
7		389 262 6952	Spacer Th.0,40(54,7x43) mm	1		●			
7		389 262 6852	Spacer Th.0,80(54,7x43) mm	1		●			
7		389 262 0154	Spacer Th.2,30(54,7x43) mm	1		●			
7		389 262 0354	Spacer Th.2,40(54,7x43) mm	1		●			
7		389 262 0554	Spacer Th.2,50(54,74x43) mm	1		●			
7		389 262 0754	Spacer Th.2,60(54,5x43) mm	1		●			
7		389 262 0954	Spacer Th.2,70(54,5x43) mm	1		●			
7		389 262 1154	Spacer Th.2,80(54,6x43) mm	1		●			
7		389 262 1354	Spacer Th.2,90(54,7x43) mm	1		●			
7		389 262 1554	Spacer Th.3,00(54,7x43,2) mm	1		●			
7		389 262 1754	Spacer Th.3,10(54,7x43) mm	1		●			
7		389 262 6554	Spacer Th.6,00(54,7x43) mm	1		●			
7		389 262 6454	Spacer Th.2,50(60x40) mm	1			●		
7		389 262 5552	Spacer Th.1,20(60x40) mm	1			●		
7		389 262 5752	Spacer Th.0,50(60x40) mm	1			●		
7		389 262 5652	Washer Th.0,80(60x40) mm	1			●		
7		389 262 2954	Spacer Th.0,70(60x40) mm	1			●		
7		389 262 3054	Spacer Th.0,60(60x40) mm	1			●		
7		389 262 7954	Spacer Th.0,30(60x40) mm	1			●		
7		389 262 5852	Spacer Th.0,20(60x40) mm	1			●		
7		389 262 5952	Spacer Th.0,10(60x40) mm	1			●		
8		387 268 0773	Seeger ring Sp.3,05 mm	1		●	●		
8		387 268 0873	Seeger ring Sp.3,08 mm	1		●	●		
8		387 268 0973	Seeger ring Sp.3,11 mm	1		●	●		

Notes

Date

04 / 2011

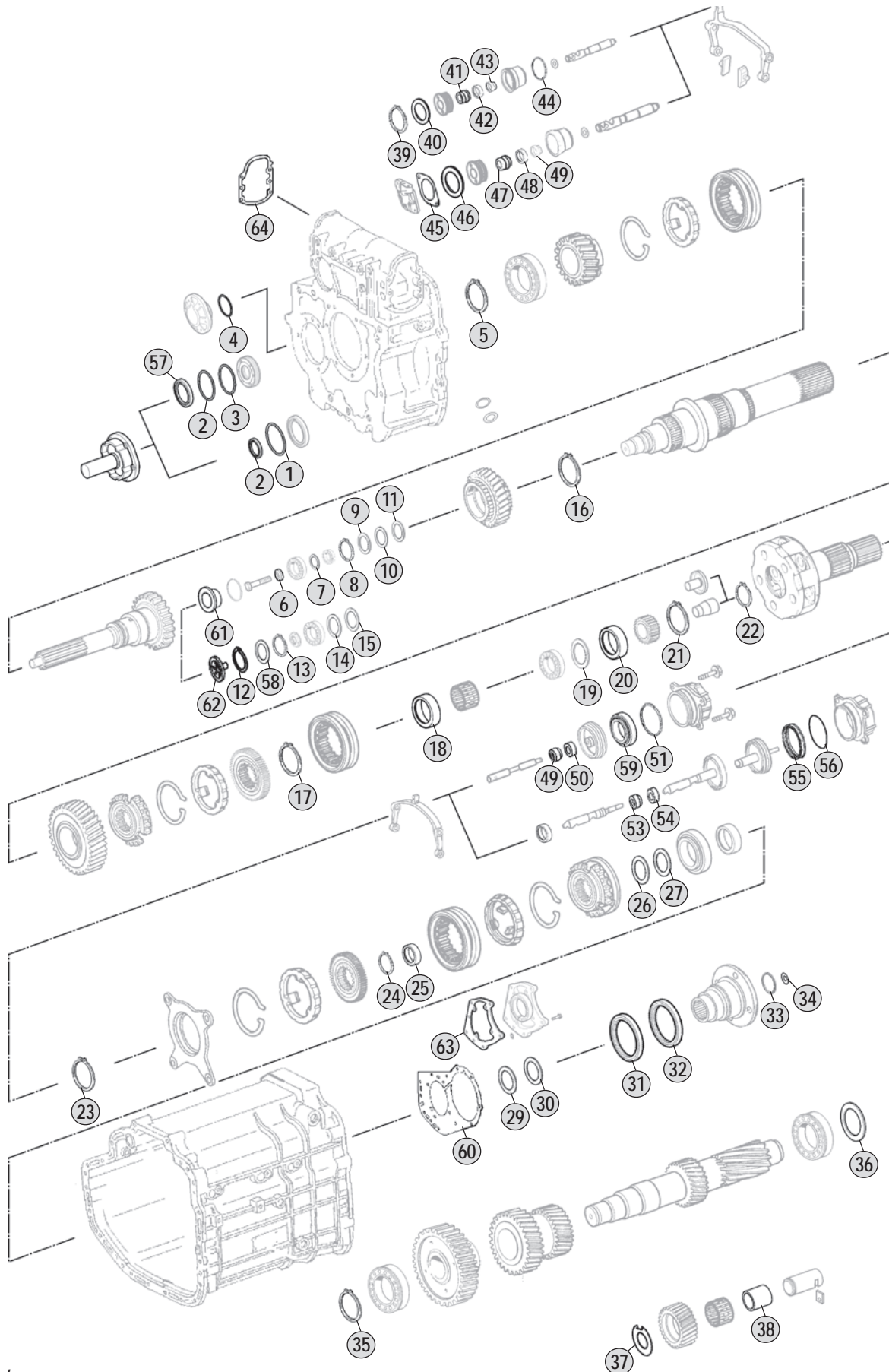
Table

0410



Adattabile a : **MERCEDES**  
 Suitable To :

# Rasamenti / Washers



## Models

G125 - G135 Models SK

G155 - G180 - G200 Models SK

G210 - G240 - G260 Models SK - AXOR - ACTROS

G211 - G231 Models MAXI-ATEGO - AXOR - ACTROS

Fig.	no.	Rif. MB	Description	Q.ty	Note	G125-G135	G155-G180-G200	G210-G240-G260	G271-G231
8		387 268 1073	Seeger ring Sp.3,14 mm	1		●	●		
9		389 262 0551	Spacer Th.3,20 mm	1		●			
9		000988 070001	Ring Th.0,50 mm	1		●			
9		389 262 3252	Spacer Th.2,00(64,7x50) mm	1			●		
9		389 262 3152	Spacer Th.1,95(64,7x50) mm	1			●		
9		389 262 3052	Spacer Th.1,90(64,7x50) mm	1			●		
9		389 262 2952	Spacer Th.1,85(64,7x50) mm	1			●		
9		389 262 2455	Spacer Th.1,82(64,7x50) mm	1			●		
9		389 262 2355	Spacer Th.1,80(64,7x50) mm	1			●		
9		389 262 2255	Spacer Th.1,76(64,7x50) mm	1			●		
9		389 262 2752	Spacer Th.1,75(64,7x50) mm	1			●		
9		389 262 2155	Spacer Th.1,73(64,7x50) mm	1			●		
9		389 262 2055	Spacer Th.1,67(64,7x50) mm	1			●		
9		389 262 2552	Spacer Th.1,65(64,7x50) mm	1			●		
9		389 262 1955	Spacer Th.1,64(64,7x50) mm	1			●		
9		389 262 1855	Spacer Th.1,61(64,7x50) mm	1			●		
9		389 262 3354	Spacer Th.1,10(64,7x50) mm	1			●		
9		389 262 1755	Spacer Th.1,58(64,7x50) mm	1			●		
9		389 262 2352	Spacer Th.1,55(64,7x50) mm	1			●		
9		389 262 1655	Spacer Th.1,52(64,7x50) mm	1			●		
9		389 262 2252	Spacer Th.1,50(64,7x50) mm	1			●		
9		389 262 1555	Spacer Th.1,50(64,7x50) mm	1			●		
9		389 262 1455	Spacer Th.1,46(64,7x50) mm	1			●		
9		389 262 2152	Spacer Th.1,45(64,7x50) mm	1			●		
9		389 262 2052	Spacer Th.1,40(64,7x50) mm	1			●		
9		389 262 1952	Spacer Th.1,35(64,7x50) mm	1			●		
9		389 262 2754	Spacer Th.1,30(64,7x50) mm	1			●		
9		389 262 3654	Spacer Th.1,25(64,7x50) mm	1			●		
9		389 262 3554	Spacer Th.1,20(64,7x50) mm	1			●		
9		389 262 3454	Spacer Th.1,15(64,7x50) mm	1			●		
9		389 262 3354	Spacer Th.1,10(64,7x50) mm	1			●		
9		389 262 3254	Spacer Th.1,05(64,7x50) mm	1			●		
9		389 262 2854	Spacer Th.0,50(64,7x50) mm	1			●		
9		389 263 3352	Spacer Th.0,45(64,7x50) mm	1			●		
10		389 262 1751	Spacer Th.1,75(89,5x80) mm	1		●	●		
10		389 262 0851	Spacer Th.1,80(89,5x80) mm	1		●	●		
10		389 262 1851	Spacer Sp.1,85(89,5x80) mm	1		●	●		
10		389 262 0951	Spacer Sp.1,90(89,5x80) mm	1		●	●		
10		389 262 1951	Spacer Sp.1,95(89,5x80) mm	1		●	●		
10		389 262 1051	Spacer Th.2,00(89,5x80) mm	1		●	●		
10		389 262 2051	Spacer Sp.2,05(89,5x80) mm	1		●	●		
10		389 262 1151	Spacer Sp.2,10(89,5x80) mm	1		●	●		
10		389 262 2151	Spacer Sp.2,15(89,5x80) mm	1		●	●		
10		389 262 1251	Spacer Th.2,20(89,5x80) mm	1		●	●		
10		389 262 2751	Spacer Sp.5,40(89,5x80) mm	1		●	●		

Notes

Date

04 / 2011

Table

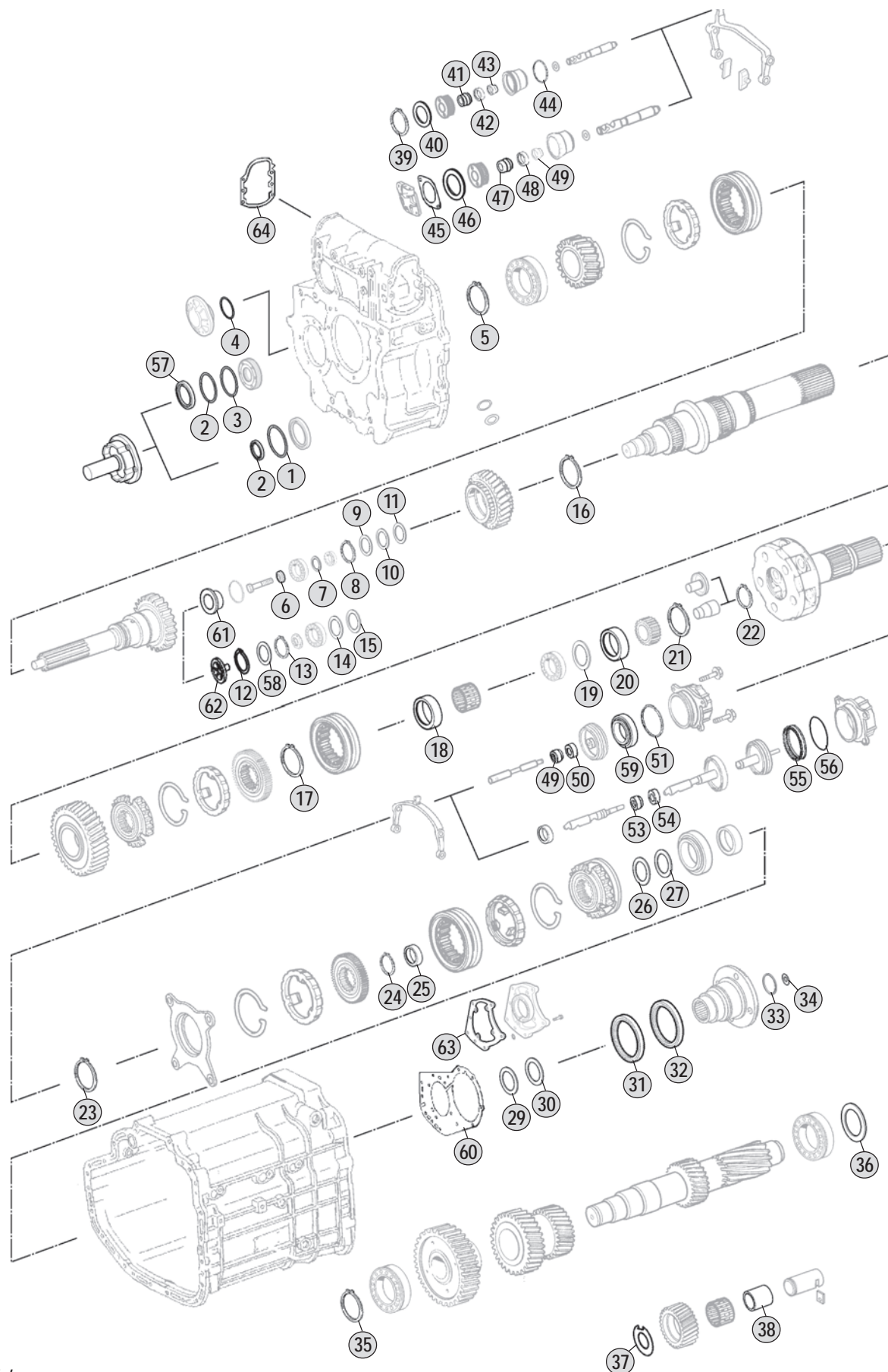
0410

Rasamenti  
Washers



Adattabile a : **MERCEDES**

Rasamenti / Washers

**Models**

G125 - G135 Models SK

G155 - G180 - G200 Models SK

G210 - G240 - G260 Models SK - AXOR - ACTROS

G211 - G231 Models MAXI-ATEGO - AXOR - ACTROS

Fig.	no.	Rif. MB	Description	Q.ty	Note	G125-G135	G155-G180-G200	G210-G240-G260	G211-G231
10		389 262 2851	Spacer Th.5,45(89,5x80) mm	1		●	●		
10		389 262 2951	Spacer Th.5,50(89,5x80) mm	1		●	●		
10		389 262 3051	Spacer Th.5,55(89,5x80) mm	1		●	●		
10		389 262 3151	Spacer Th.5,60(89,5x80) mm	1		●	●		
10		389 262 3251	Spacer Th.5,65(89,5x80) mm	1		●	●		
10		389 262 3351	Spacer Th.5,70(89,5x80) mm	1		●	●		
10		389 262 3451	Spacer Th.5,75(89,5x80) mm	1		●	●		
10		389 262 3551	Spacer Th.5,80(89,5x80) mm	1		●	●		
10		389 262 3651	Spacer Th.5,85(89,5x80) mm	1		●	●		
10		389 262 3751	Spacer Th.5,90(89,5x80) mm	1		●	●		
10		389 262 3851	Spacer Th.5,95(89,5x80) mm	1		●	●		
10		389 262 3951	Spacer Th.6,00(89,5x80) mm	1		●	●		
10		389 262 4051	Spacer Th.6,05(89,5x80) mm	1		●	●		
10		389 262 4151	Spacer Th.6,10(89,5x80) mm	1		●	●		
10		389 262 4251	Spacer Th.6,15(89,5x80) mm	1		●	●		
10		389 262 4351	Spacer Th.6,20(89,5x80) mm	1		●	●		
10		389 262 4451	Spacer Th.6,25(89,5x80) mm	1		●	●		
10		389 262 4551	Spacer Th.6,30(89,5x80) mm	1		●	●		
10		389 262 4651	Spacer Th.6,35(89,5x80) mm	1		●	●		
10		389 262 4751	Spacer Th.6,40(89,5x80) mm	1		●	●		
10		389 262 4851	Spacer Th.6,45(89,5x80) mm	1		●	●		
10		389 262 4951	Spacer Th.6,50(89,5x80) mm	1		●	●		
10		389 262 5051	Spacer Th.6,55(89,5x80) mm	1		●	●		
10		389 262 5151	Spacer Th.6,60(89,5x80) mm	1		●	●		
11		389 262 1854	Spacer Th.4(75x66) mm	1		●	●		
12		007993 050200	Retainer ring Th.2,50 mm	1			●		
12		000 994 9841	Retainer Ring Th.1,66 mm	1			●	●	
13		389 262 0973	Retainer ring Th.2,00 mm	1			●	●	
13		945 262 0073	Seeger Ring Th.2,10 mm	1				●	
14		389 262 5552	Spacer Th.1,20(60x40) mm	1			●		
14		389 262 5752	Spacer Th.0,50(60x40) mm	1			●		
14		389 262 5652	Washer Th.0,80(60x40) mm	1			●		
14		389 262 2954	Spacer Th.0,70(60x40) mm	1			●		
14		389 262 3054	Spacer Th.0,60(60x40) mm	1			●		
14		389 262 5752	Spacer Th.0,50(60x40) mm	1			●		
14		389 262 7954	Spacer Th.0,30(60x40) mm	1			●		
14		389 262 5852	Spacer Th.0,20(60x40) mm	1			●		
14		389 262 5952	Spacer Th.0,10(60x40) mm	1			●		
14		389 262 2351	Spacer	1			●	●	
15		389 262 2854	Spacer Th.0,50(64,7x50) mm	1			●	●	
15		389 262 3254	Spacer Th.1,05(64,7x50) mm	1			●	●	
15		389 262 3354	Spacer Th.1,10(64,7x50) mm	1			●	●	
15		389 262 3454	Spacer Th.1,15(64,7x50) mm	1			●	●	
15		389 262 3554	Spacer Th.1,20(64,7x50) mm	1			●	●	
15		389 262 3654	Spacer Th.1,25(64,7x50) mm	1			●	●	

Notes

Date

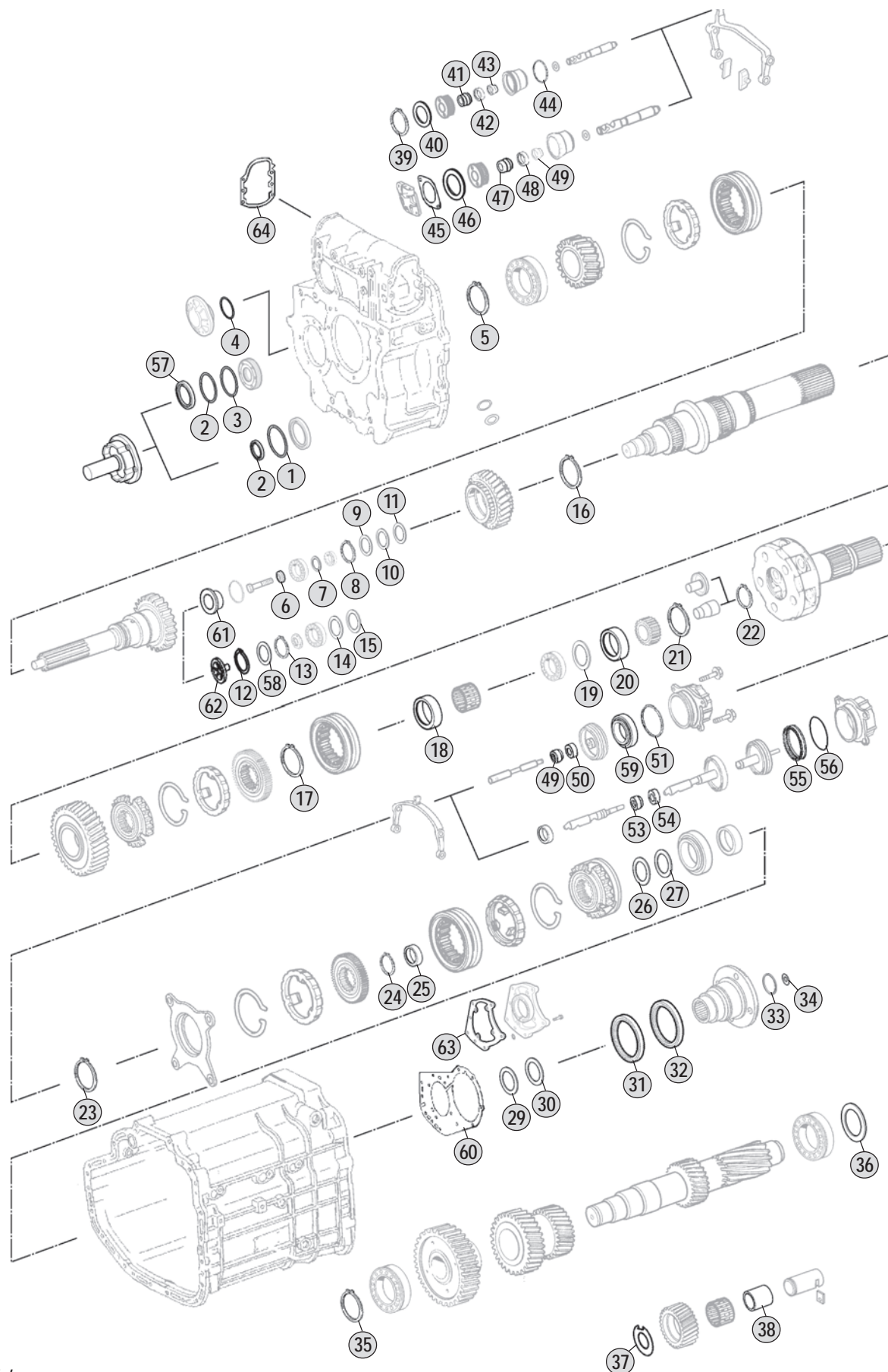
04 / 2011

Table

0410

Adattabile a : **MERCEDES**

Rasamenti / Washers

**Models**

G125 - G135 Models SK

G155 - G180 - G200 Models SK

G210 - G240 - G260 Models SK - AXOR - ACTROS

G211 - G231 Models MAXI-ATEGO - AXOR - ACTROS

Fig.	no.	Rif. MB	Description	Q.ty	Note	G125-G135	G155-G180-G200	G210-G240-G260	G271-G231
15		389 262 2754	Spacer Th.1,30(64,7x50) mm	1				●	●
15		389 262 1952	Spacer Th.1,35(64,7x50) mm	1				●	●
15		389 262 2052	Spacer Th.1,40(64,7x50) mm	1				●	●
15		389 262 1355	Spacer Th.1,43(64,7x50) mm	1				●	●
15		389 262 1455	Spacer Th.1,46(64,7x50) mm	1				●	●
15		389 262 1555	Spacer Th.1,50(64,7x50) mm	1				●	●
15		389 262 1655	Spacer Th.1,52(64,7x50) mm	1				●	●
15		389 262 2352	Spacer Th.1,55(64,7x50) mm	1				●	●
15		389 262 1755	Spacer Th.1,58(64,7x50) mm	1				●	●
15		389 262 1855	Spacer Th.1,61(64,7x50) mm	1				●	●
15		389 262 2255	Spacer Th.1,76(64,7x50) mm	1				●	●
15		389 262 2055	Spacer Th.1,67(64,7x50) mm	1				●	●
15		389 262 3554	Spacer Th.1,20(64,7x50) mm	1				●	●
15		389 262 2155	Spacer Th.1,73(64,7x50) mm	1				●	●
15		389 262 2255	Spacer Th.1,76(64,7x50) mm	1				●	●
15		389 262 2355	Spacer Th.1,80(64,7x50) mm	1				●	●
15		389 262 2455	Spacer Th.1,82(64,7x50) mm	1				●	●
15		389 262 2952	Spacer Th.1,85(64,7x50) mm	1				●	●
15		389 262 3052	Spacer Th.1,90(64,7x50) mm	1				●	●
15		389 262 3152	Spacer Th.1,95(64,7x50) mm	1				●	●
15		389 262 3252	Spacer Th.2,00(64,7x50) mm	1				●	●
15		389 262 3352	Spacer Th.2,50(64,7x50) mm	1				●	●
15		389 262 1656	Spacer Th.5,34(64,7x50) mm	1				●	
15		389 262 9755	Spacer Th.4,77(64,7x50) mm	1				●	
15		389 262 9555	Spacer Th.4,71(64,7x50) mm	1				●	
15		389 262 9455	Spacer Th.4,68(64,7x50) mm	1				●	
15		389 262 9355	Spacer Th.4,65(64,7x50) mm	1				●	
15		389 262 1456	Spacer Th.5,28(65x50) mm	1				●	
15		389 262 1356	Spacer Th.5,25(65x50) mm	1				●	
15		389 262 1256	Spacer Th.5,22(65x50) mm	1				●	
15		389 262 1056	Spacer Th.5,16(65x50) mm	1				●	
15		389 262 0956	Spacer Th.5,13(65x50) mm	1				●	
15		389 262 1156	Spacer Th.5,19(65x50) mm	1				●	
15		389 262 0856	Spacer Th.5,10(65x50) mm	1				●	
15		389 262 0756	Spacer Th.5,07(65x50) mm	1				●	
15		389 262 0656	Spacer Th.5,04(65x50) mm	1				●	
15		389 262 0556	Spacer Th.5,01(65x50) mm	1				●	
15		389 262 0456	Spacer Th.4,98(65x50) mm	1				●	
15		389 262 0356	Spacer Th.4,95(65x50) mm	1				●	
15		389 262 0256	Spacer Th.4,92(65x50) mm	1				●	
15		389 262 0156	Spacer Th.4,89(65x50) mm	1				●	
15		389 262 0056	Spacer Th.4,86(65x50) mm	1				●	
15		389 262 9955	Spacer Th.4,83(65x50) mm	1				●	
15		389 262 9855	Spacer Th.4,80(65x50) mm	1				●	
16		387 262 0473	Seeger Ring Th.2,40 mm	1		●	●		

Notes

Date

04 / 2011

Table

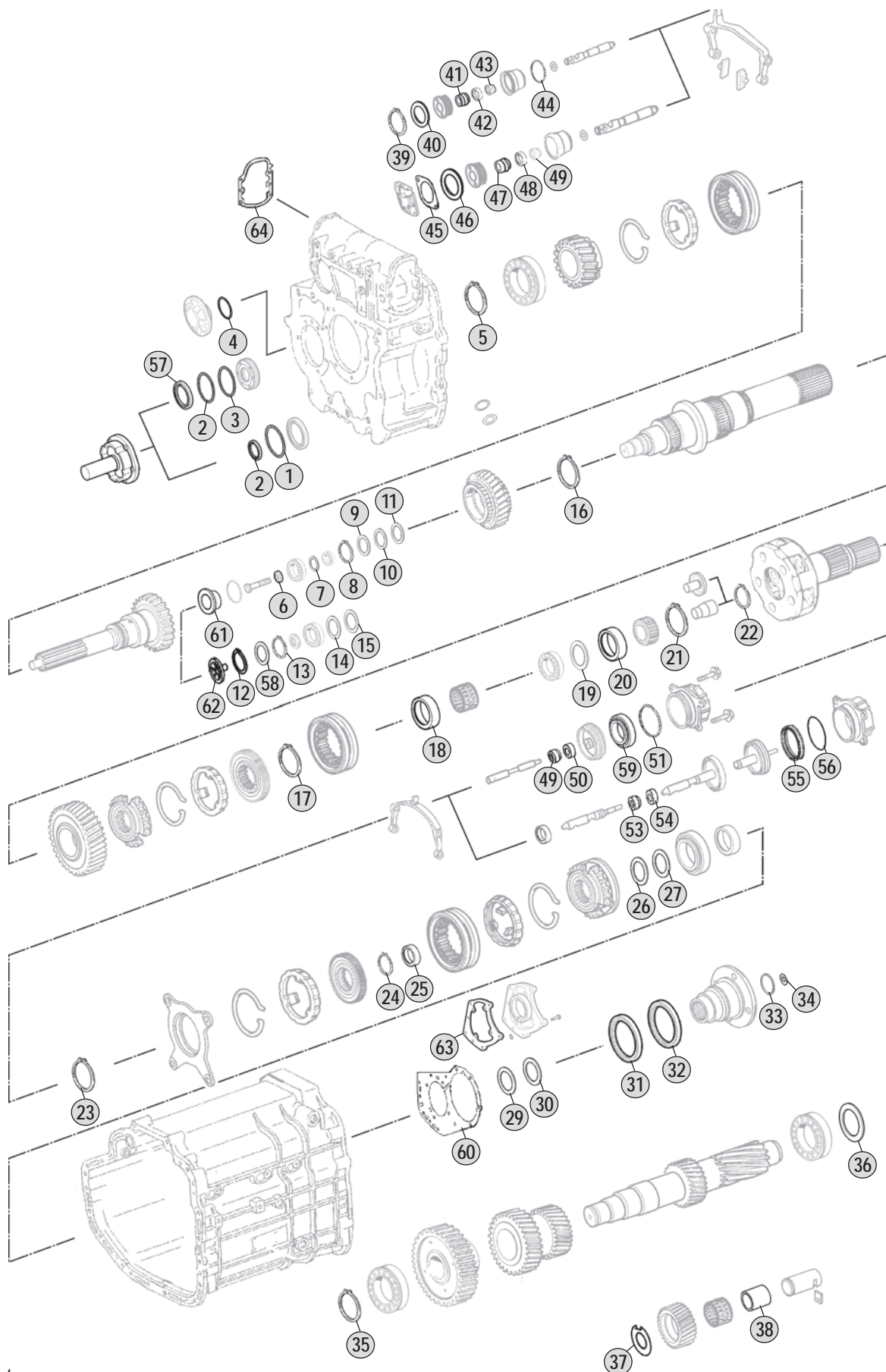
0410

Rasamenti  
Washers



Adattabile a : **MERCEDES**

Rasamenti / Washers

**Models**

G125 - G135 Models SK

G155 - G180 - G200 Models SK

G210 - G240 - G260 Models SK - AXOR - ACTROS

G211 - G231 Models MAXI-ATEGO - AXOR - ACTROS

Fig.	no.	Rif. MB	Description	Q.ty	Note	G125-G135	G155-G180-G200	G210-G240-G260	G211-G231
16		387 262 0573	Seeger Ring Th.2,45 mm	1		●	●		
16		387 262 0673	Seeger Ring Th.2,50 mm	1		●	●		
16		387 262 0773	Seeger Ring Th.2,55 mm	1		●	●		
16		387 262 0873	Seeger Ring Th.2,60 mm	1		●	●		
16		387 262 0973	Seeger Ring Th.2,65 mm	1		●	●		
16		387 262 7673	Seeger Ring Th.2,70 mm	1		●	●		
16		387 262 7773	Seeger Ring Th.2,75 mm	1		●	●		
16		387 262 7873	Seeger Ring Th.2,80 mm	1		●	●		
16		387 262 2073	Seeger Ring Th.2,40 mm	1				●	●
16		387 262 2173	Seeger Ring Th.2,45 mm	1				●	●
16		007 994 0041	Seeger Ring Th.2,50 mm	1				●	●
16		387 262 2373	Seeger Ring Th.2,55 mm	1				●	●
16		387 262 2473	Seeger Ring Th.2,60 mm	1				●	●
16		387 262 2573	Seeger Ring Th.2,65 mm	1				●	●
16		387 262 7673	Seeger Ring Th.2,70 mm	1				●	●
16		387 262 7973	Seeger Ring Th.2,70 mm	1				●	●
16		387 262 8073	Seeger Ring Th.2,75 mm	1				●	●
16		387 262 8173	Seeger Ring Th.2,80 mm	1				●	●
17		387 262 2073	Seeger Ring Th.2,40 mm	1		●	●	●	●
17		387 262 2173	Seeger Ring Th.2,45 mm	1		●	●	●	●
17		007 994 0041	Seeger Ring Th.2,50 mm	1		●	●	●	●
17		387 262 2373	Seeger Ring Th.2,55 mm	1		●	●	●	●
17		387 262 2473	Seeger Ring Th.2,60 mm	1		●	●	●	●
17		387 262 2573	Seeger Ring Th.2,65 mm	1		●	●	●	●
17		387 262 7973	Seeger Ring Th.2,70 mm	1		●	●	●	●
17		387 262 8073	Seeger Ring Th.2,75 mm	1		●	●	●	●
17		387 262 8173	Seeger Ring Th.2,80 mm	1		●	●	●	●
18		389 262 0150	Bush	1		●			
18		389 262 1250	Bush Th.33,00(78x62,6) mm	1		●			
18		389 262 2550	Bush	1			●	●	●
19		389 262 3552	Washer Th.0,10(136,8x130) mm	1		●	●	●	
19		389 262 3652	Washer Th.0,15(136,8x130) mm	1		●	●	●	
19		389 262 3752	Washer Th.0,20(136,8x130) mm	1		●	●	●	
19		389 262 3852	Washer Th.0,40(136,8x130) mm	1		●	●	●	
19		389 262 3952	Washer Th.0,80((129,5x115,3)mm	1		●	●	●	
19		389 263 4052	Washer Th.0,60(129,5x115,3) mm	1			●	●	
19		389 263 4152	Washer Th.0,65(129,5x115,3) mm	1			●	●	
19		389 263 4252	Washer Th.0,70(129,5x115,3) mm	1			●	●	
19		389 263 4352	Washer Th.0,75(129,5x115,3) mm	1			●	●	
19		389 263 0552	Washer Th 0,80(129,5x115,3)mm	1			●	●	
19		389 263 4452	Washer Th.0,85(129,5x115,3) mm	1			●	●	
19		389 263 4552	Washer Th.0,90(129,5x115,3) mm	1			●	●	
19		389 263 4652	Washer Th.0,95(129,5x115,3) mm	1			●	●	
19		389 263 4752	Washer Th.1,00(129,5x115,3) mm	1			●	●	
19		389 263 4952	Washer Th.1,10(129,5x115,3) mm	1			●	●	

Notes

Date

04 / 2011

Table

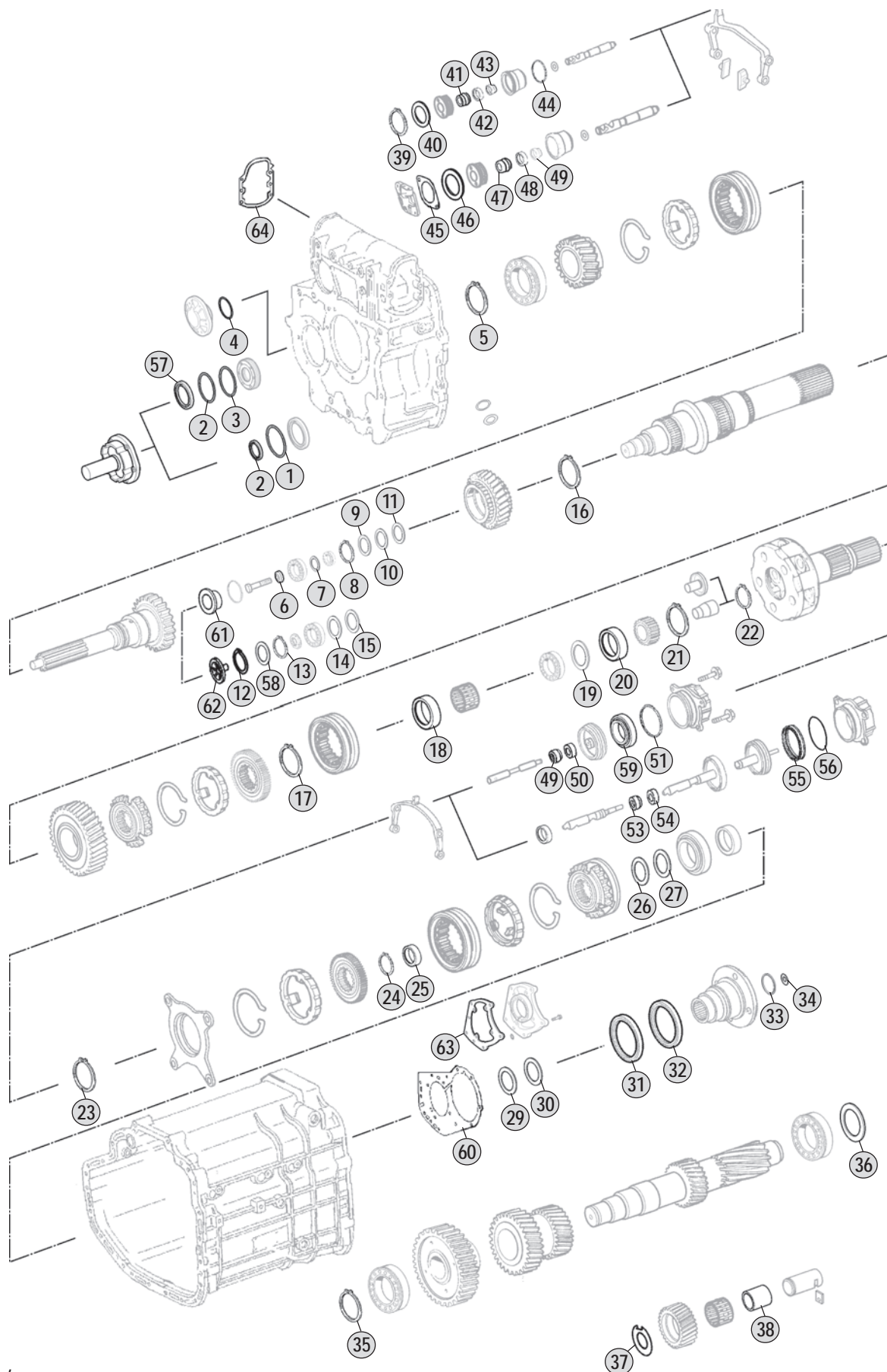
0410

Rasamenti  
Washers



Adattabile a : **MERCEDES**

Rasamenti / Washers

**Models**

G125 - G135 Models SK

G155 - G180 - G200 Models SK

G210 - G240 - G260 Models SK - AXOR - ACTROS

G211 - G231 Models MAXI-ATEGO - AXOR - ACTROS

Fig.	no.	Rif. MB	Description	Q.ty	Note	G125-G135	G155-G180-G200	G210-G240-G260	G211-G231
19		389 263 5052	Washer Th.1,15(129,5x115,3) mm	1			●	●	
20		389 262 6352	Spacer Th.14,6(74x60) mm	1		●			
20		389 262 0152	Spacer Th.20,3(74x60) mm	1			●		●
21		006 994 7341	Seeger Ring Th.2,95 mm	1		●	●		
21		007 994 1841	Seeger ring Th.2,45 mm	1			●	●	●
22		007993 040200	Lock ring Th.2,00 mm	1		●	●		
22		000472 060000	Lock ring Th.2,00 mm	1				●	●
23		000472 130000	Seeger Ring Th.3,94 mm	1		●	●	●	●
24		000471 120000	Seeger Ring Th.3,94 mm	1		●	●	●	●
25		389 262 0251	Bush	1		●	●	●	●
26		389 262 3954	Spacer Th.3,50(106,5x150) mm	1		●	●		
27		389 262 4752	Spacer Th.0,10(149,5x135,5) mm	1		●	●	●	
27		389 262 4852	Washer Th.0,15(149,5x135,5) mm	1		●	●	●	
27		389 262 4952	Spacer Th.0,20(149,5x135,5) mm	1		●	●	●	
27		389 262 5052	Spacer Th.0,40(149,5x135,5) mm	1		●	●	●	
27		389 262 5152	Spacer Th.0,80(149,5x135,5) mm	1		●	●	●	
27		389 262 7654	Spacer Th.0,25(149,5x135,5) mm	1		●	●	●	
27		389 262 7754	Spacer Th.1,40(149,5x135,5) mm	1		●	●	●	
27		389 262 7854	Washer Th.0,80(150x114) mm	1				●	
27		000472 140000	Seeger Ring Th.3,95 mm	1					●
29		389 262 4752	Spacer Th.0,10(149,5x135,5) mm	1		●	●	●	●
29		389 262 4852	Washer Th.0,15(149,5x135,5) mm	1		●	●	●	●
29		389 262 4952	Spacer Th.0,20(149,5x135,5) mm	1		●	●	●	●
29		389 262 7654	Spacer Th.0,25(149,5x135,5) mm	1		●	●	●	
29		389 262 5052	Spacer Th.0,40(149,5x135,5) mm	1		●	●	●	●
29		659 283 4652	Spacer Th.0,60(149,5x135,5) mm	1					●
29		659 283 4852	Spacer Th.0,70(149,5x135,5) mm	1					●
29		389 262 5152	Spacer Th.0,80(149,5x135,5) mm	1		●	●	●	●
29		659 283 5052	Spacer Th.0,85(149,5x135,5) mm	1					●
29		659 283 5152	Spacer Th.0,90(149,5x135,5) mm	1					●
29		659 283 5452	Spacer Th.1,05(149,5x135,5) mm	1			●		
29		659 283 5552	Spacer Th.1,10(149,5x135,5) mm	1					●
29		389 262 7754	Spacer Th.1,40(149,5x135,5) mm	1		●	●	●	●
30		015 997 2848	Ring	1				●	●
30		015 997 4048	Oil Seal	1					●
31		013 997 7247	Oil Seal 95x115x13	1		●	●	●	●
32		013 997 7347	Oil Seal 95x115x13	1		●	●	●	●
33		014 997 5148	O Ring 5,3X72,4	1		●	●	●	●
34		389 262 0362	Washer Th.20(94x24) mm	1		●	●	●	
35		000 264 0951	Seeger Ring Th.2,30 mm	1			●		
35		387 994 1341	Seeger Ring Th.2,45 mm	1			●		
35		387 994 1141	Seeger ring Th.2,55 mm	1			●		
35		387 994 0941	Seeger ring Th.2,60 mm	1			●		
35		387 994 0741	Seeger ring Th.2,75 mm	1			●		
35		387 994 0541	Seeger ring Th.2,85 mm	1			●		

Notes

Date

04 / 2011

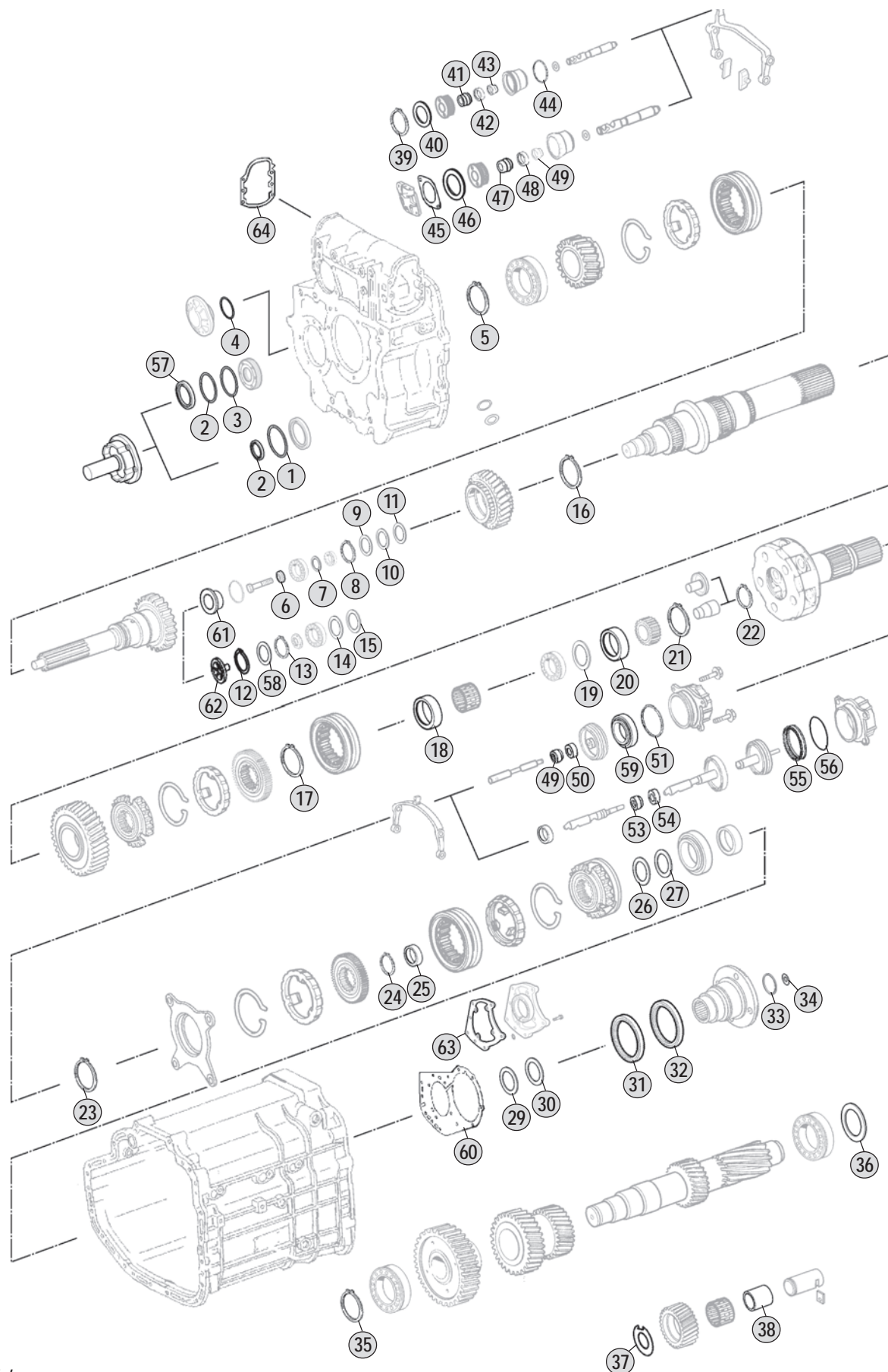
Table

0410

Rasamenti  
Washers

Adattabile a : **MERCEDES**

Rasamenti / Washers

**Models**

G125 - G135 Models SK

G155 - G180 - G200 Models SK

G210 - G240 - G260 Models SK - AXOR - ACTROS

G211 - G231 Models MAXI-ATEGO - AXOR - ACTROS

Fig.	no.	Rif. MB	Description	Q.ty	Note	G125-G135	G155-G180-G200	G210-G240-G260	G211-G231
35		387 994 0341	Seeger ring Th.2,95 mm	1			●		
35		389 994 0041	Seeger ring Th.3,00 mm	1			●	●	
36		389 263 2652	Spacer Th.0,95(136,8x130) mm	1		●			
36		389 263 2752	Spacer Th.1,00(136,8x130) mm	1		●			
36		389 263 2852	Spacer Th.1,05(136,8x130) mm	1		●			
36		389 262 3552	Washer Th.0,10(136,8x130) mm	1			●		
36		389 262 3652	Washer Th.0,15(136,8x130) mm	1			●		
36		385 283 3152	Spacer Th.0,15(136,8x130) mm	1		●			
36		389 283 0052	Spacer Th.0,15(136,8x130) mm	1		●			
36		389 262 3752	Washer Th.0,20(136,8x130) mm	1			●		
36		389 262 3852	Washer Th.0,40(136,8x130) mm	1			●		
36		389 263 1952	Spacer Th.0,60(136,8x130) mm	1		●			
36		389 263 2052	Spacer Th.0,65(136,8x130) mm	1		●			
36		389 263 2152	Spacer Th.0,70(109,6x96,3) mm	1		●			
36		389 263 2252	Spacer Th.0,75(136,8x130) mm	1		●			
36		389 263 2352	Spacer Th.0,80(109,3x50,3) mm	1		●			
36		389 263 2452	Spacer Th.0,85(136,8x130) mm	1		●			
36		389 263 2552	Spacer Th.0,90(136,8x130) mm	1		●			
36		389 263 0062	Spacer Th.1,00(136,8x130) mm	1		●			
36		389 263 4052	Washer Th.0,60(129,5x115,3) mm	1			●	●	
36		389 263 4152	Washer Th.0,65(129,5x115,3) mm	1			●	●	
36		389 263 4252	Washer Th.0,70(129,5x115,3) mm	1			●	●	
36		389 263 4352	Washer Th.0,75(129,5x115,3) mm	1			●	●	
36		389 263 0552	Washer Th.0,80(129,5x115,3) mm	1			●	●	
36		389 262 3952	Washer Th.0,80((129,5x115,3)mm	1			●	●	
36		389 263 4452	Washer Th.0,85(129,5x115,3) mm	1			●	●	
36		389 263 4552	Washer Th.0,90(129,5x115,3) mm	1			●	●	
36		389 263 4652	Washer Th.0,95(129,5x115,3) mm	1			●	●	
36		389 263 4752	Washer Th.1,00(129,5x115,3) mm	1			●	●	
36		389 263 4952	Washer Th.1,10(129,5x115,3) mm	1			●	●	
36		389 263 5052	Washer Th.1,15(129,5x115,3) mm	1			●	●	
36		389 263 8852	Washer Th.1,25(129,5x115,3)mm	1			●	●	
37		389 263 0062	Spacer Th.1,00(136,8x130) mm	1			●		
38		389 263 0150	Bush	1		●			
38		389 263 0950	Bush (42x42) mm	1		●			
38		389 263 0050	Bush Th.19(42x30) mm	1			●		
38		389 263 0850	Bush Th.18(74x60) mm	1			●	●	●
39		006 994 4241	Lock Ring	1			●	●	
40		389 262 2555	Spacer Th.0,70(64,7x50) mm	1			●	●	
40		389 262 2655	Spacer Th.0,90(64,7x50) mm	1			●	●	
40		389 262 3254	Spacer Th.1,05(64,7x50) mm	1			●	●	
40		389 262 3554	Spacer Th.1,20(64,7x50) mm	1			●	●	
40		389 262 2052	Spacer Th.1,40(64,7x50) mm	1			●	●	
40		389 262 3354	Spacer Th.1,10(64,7x50) mm	1			●	●	
40		389 262 2355	Spacer Th.1,80(64,7x50) mm	1			●	●	

Notes

Date

04 / 2011

Table

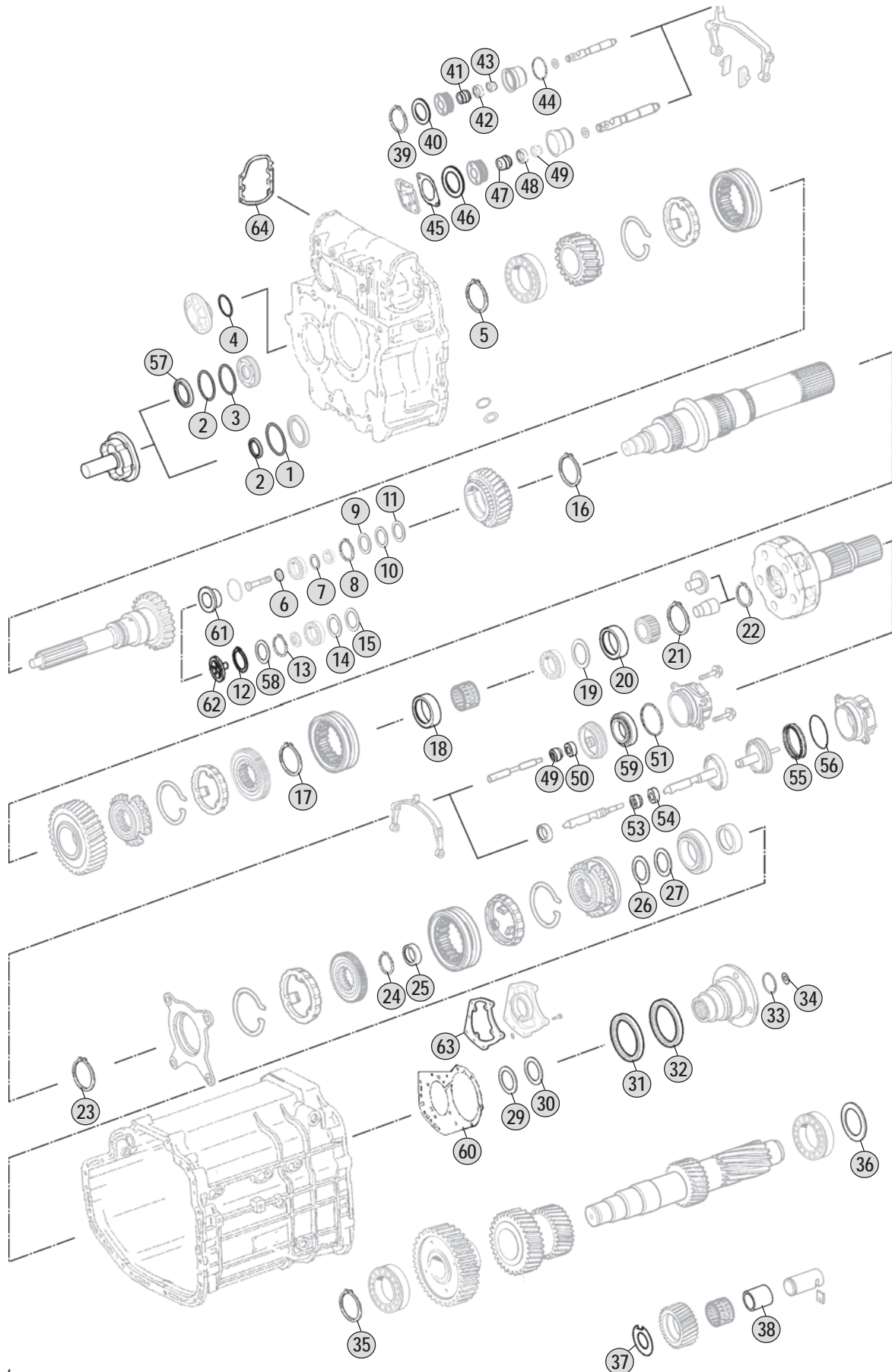
0410

Rasamenti  
Washers



Adattabile a : **MERCEDES**  
 Suitable To :

# Rasamenti / Washers



## Models

G125 - G135 Models SK

G155 - G180 - G200 Models SK

G210 - G240 - G260 Models SK - AXOR - ACTROS

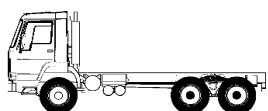
G211 - G231 Models MAXI-ATEGO - AXOR - ACTROS





Adattabile a : **MERCEDES**

HD7/2 - HD7/5 - HD7/11 - HD7/19



**HD7 + HL7**

Axles with  
Ø 233 mm CWP

**Models**

LP-NG

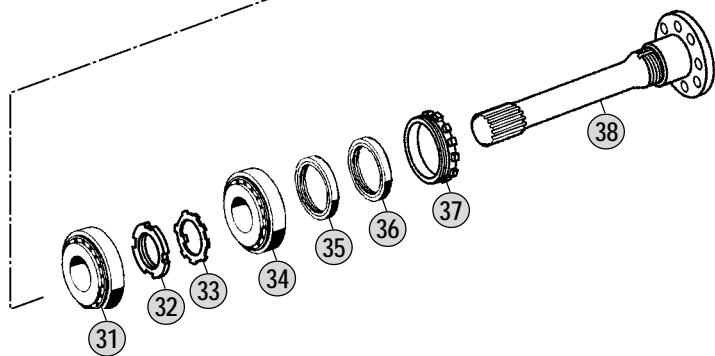
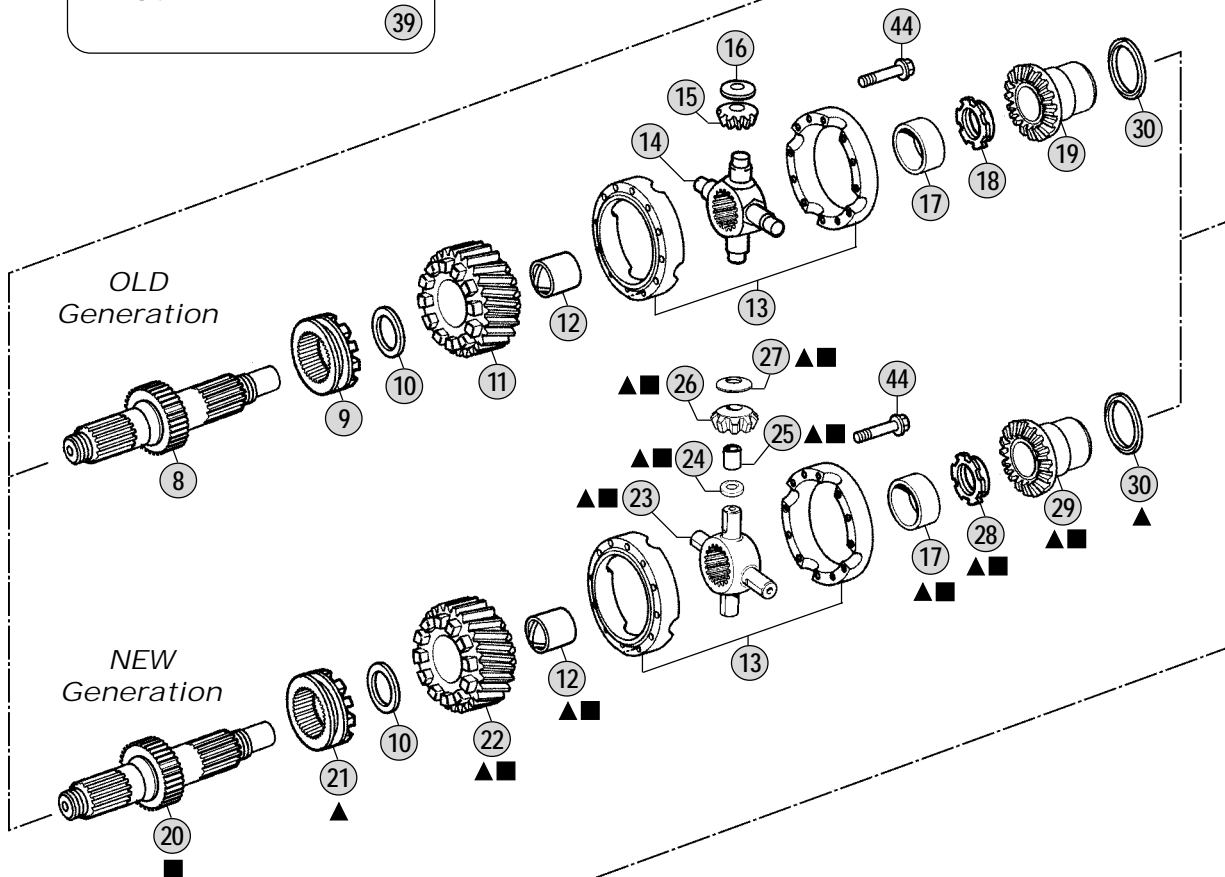
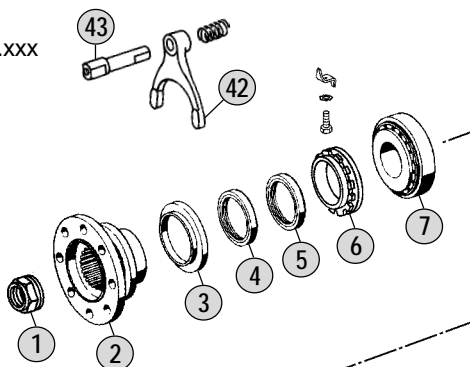
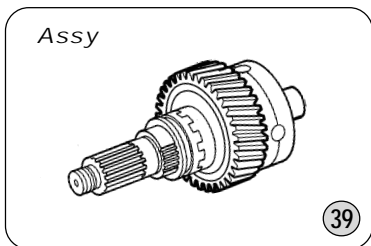
(CH 343.xxx - 346.xxx - 387.xxx - 389.xxx  
391.xxx - 393.xxx - 395.xxx)

LK

(CH From 673.xxx To 677.xxx)

MK-SK

(CH 617.xxx - 619.xxx - 651.xxx  
652.xxx - 653.xxx - 659.xxx)



- MB 40
- ▲ MAN 41

**Models**

HD7/2 - HD7/5 - HD7/11 - HD7/19

From **740.000** To **740.079**

From **748.990** To **748.999**

Fig.	no.	Rif. MB	Description	Q.ty	Note	HD7				
1		385 351 0672	Nut M45x1,5	1		●				
2		385 350 0145	Output Flange D.150 mm	1		●				
2		653 353 0145	Output Flange D.150 mm	1		●				
2		355 350 0645	Output Flange D.165 mm	1		●				
2		355 350 0745	Output Flange D.180 mm	1		●				
2		355 350 1245	Output Flange D.180 mm	1		●				
2		355 353 2345	Output Flange D.180 mm	1		●				
3		355 353 0391	Oil Collector	1		●				
4		023 997 8547	Oil Seal 80x100x12	1		●				
5		020 997 9947	Oil Seal 80x110x10	1		●				
6		355 353 0325	Grooved Nut	1		●				
7		000625 920067	Bearing 60x130x31	1		●				
8		355 353 0235	Shaft 28/41/28 T	1		●				
9		355 353 0736	Sliding Sleeve	1		●				
10		355 353 2062	Thrust Washer T.3,65 mm (Bronze)	1		●				
10		355 353 1962	Thrust Washer T.3,85 mm (Bronze)	1		●				
10		355 353 1862	Thrust Washer T.4,00 mm (Bronze)	1		●				
10		355 353 2562	Thrust washer T.4,20 mm (Bronze)	1		●				
11		355 350 0124	Gear 28/16 T	1	With 355 353 0085 (28x28 Teeth)	●				
11		355 350 0324	Gear 30/16 T	1	With 355 353 0285 (30x28 Teeth)	●				
12		355 353 0950	Bush 60x64x50	1		●				
13		355 350 1827	Diff.Housing Empty W/Screw	1		●				
14		355 350 0128	Differential Spider	1		●				
15		355 353 0214	Side Pinion 10 T	4		●				
16		355 353 0176	Thrust Washer	4		●				
17		355 353 1050	Bush 44x49x35	1		●				
18		355 353 0026	Grooved Nut M48x1,5	1		●				
19		355 353 0215	Side Gear 16 T-22 Splines	1		●				
20		355 353 0935	Shaft 28/41/28 T	1		●				
21		355 353 1236	Sliding Sleeve	1		●				
22		355 350 1415	Gear 28/16 T	1	With 355 353 0085 (28x28 Teeth)	●				
22		355 350 0624	Gear 30/16 T	1	With 355 353 0285 (30x28 Teeth)	●				
23		653 353 0020	Differential Spider	1		●				
24		653 353 0051	Spacer	4		●				
25		653 353 0050	Bush	4		●				
26		653 353 0014	Side Pinion 10 T	4		●				
27		355 353 0176	Thrust Washer	4		●				
28		355 353 0126	Grooved Nut M48x1,5	1		●				
29		355 353 1115	Side gear 16 T-22 Splines	1		●				
30		355 353 2262	Thrust Washer 102x2,35 mm (Bronze)	1		●				
30		355 353 2462	Thrust Washer 102x2,45 mm (Bronze)	1		●				
30		355 353 2362	Thrust Washer 102x2,60 mm (Bronze)	1		●				
30		355 353 2662	Thrust Washer 102x2,80 mm (Bronze)	1		●				
31		003 981 4925	Bearing 70x125x24	1		●				
32		070852 055000	Grooved Nut M55x1,5	1		●				

Notes

Date

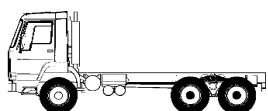
04 / 2011

Table

**0420**

Adattabile a : **MERCEDES**

HD7/2 - HD7/5 - HD7/11 - HD7/19



**HD7 + HL7**

Axles with  
Ø 233 mm CWP

**Models**

LP-NG

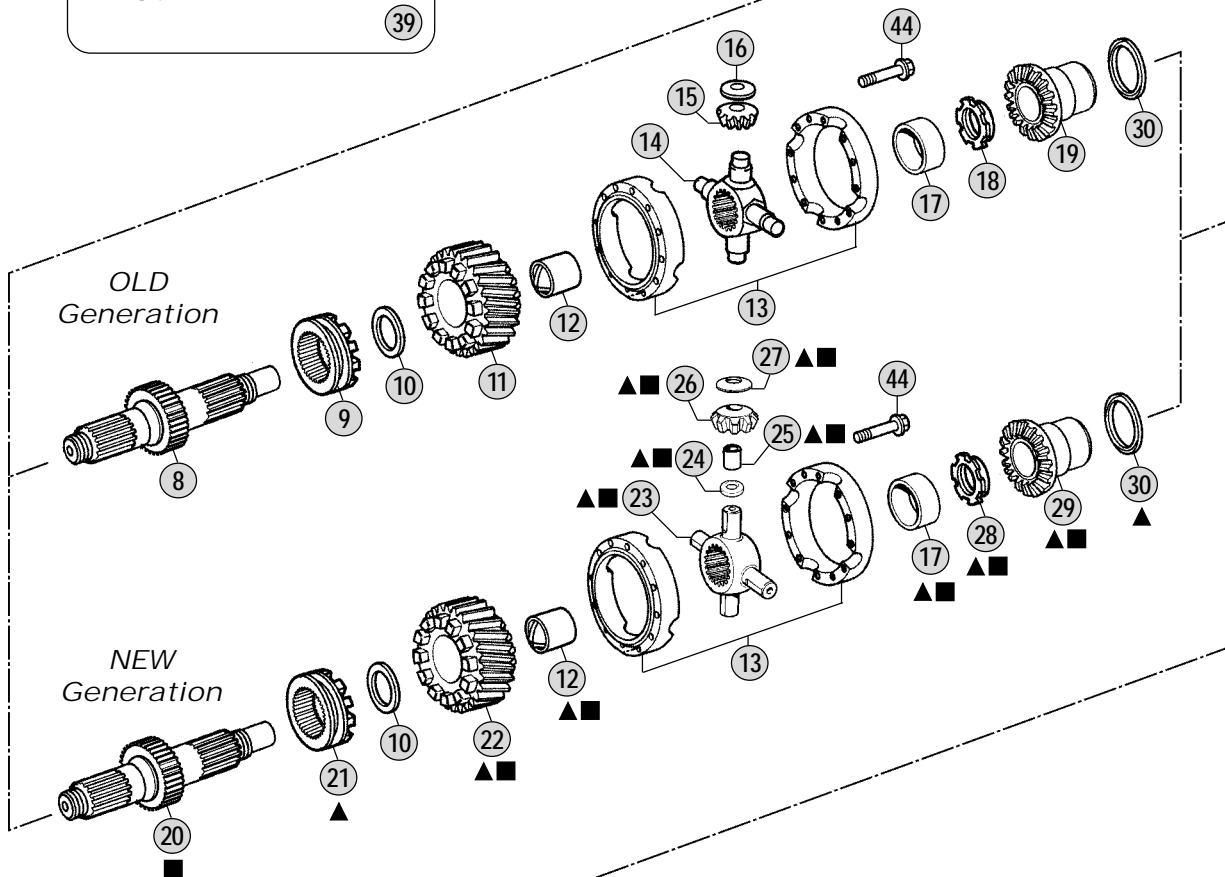
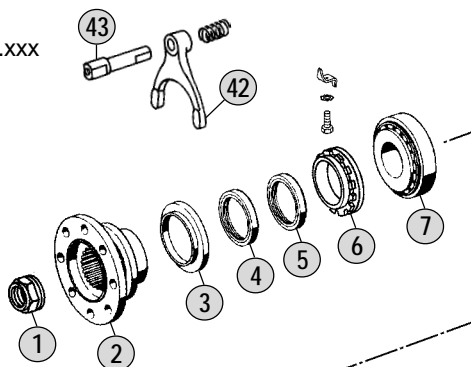
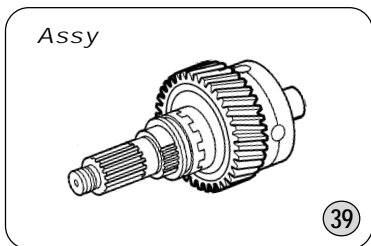
(CH 343.xxx - 346.xxx - 387.xxx - 389.xxx  
391.xxx - 393.xxx - 395.xxx)

LK

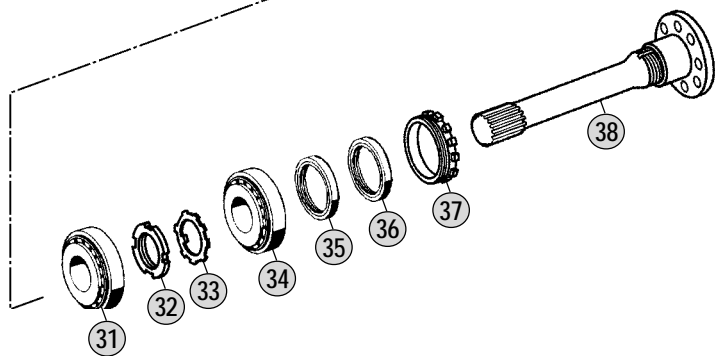
(CH From 673.xxx To 677.xxx)

MK-SK

(CH 617.xxx - 619.xxx - 651.xxx  
652.xxx - 653.xxx - 659.xxx)



- MB 40
- ▲ MAN 41



**Models**

HD7/2 - HD7/5 - HD7/11 - HD7/19

From **740.000** To **740.079**

From **748.990** To **748.999**



Adattabile a : **MERCEDES**

HD7/2 - HD7/5 - HD7/11 - HD7/19

**Models**

LP-NG

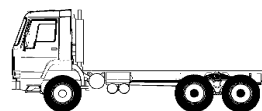
(CH 343.xxx - 346.xxx - 387.xxx  
389.xxx - 391.xxx - 393.xxx - 395.xxx)

LK

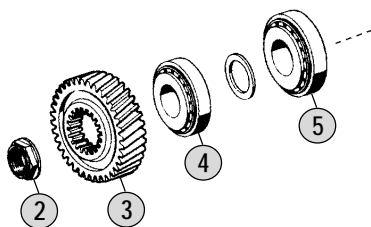
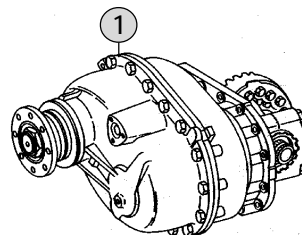
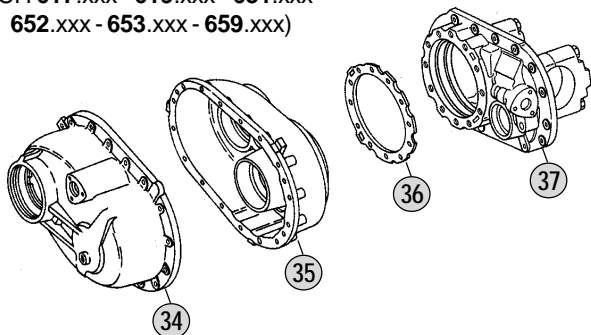
(CH From 673.xxx To 677.xxx)

MK-SK

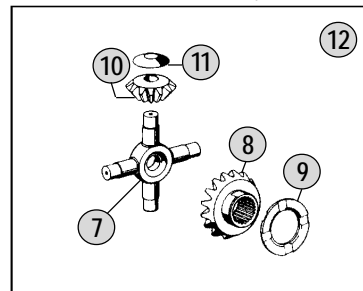
(CH 617.xxx - 619.xxx - 651.xxx  
652.xxx - 653.xxx - 659.xxx)



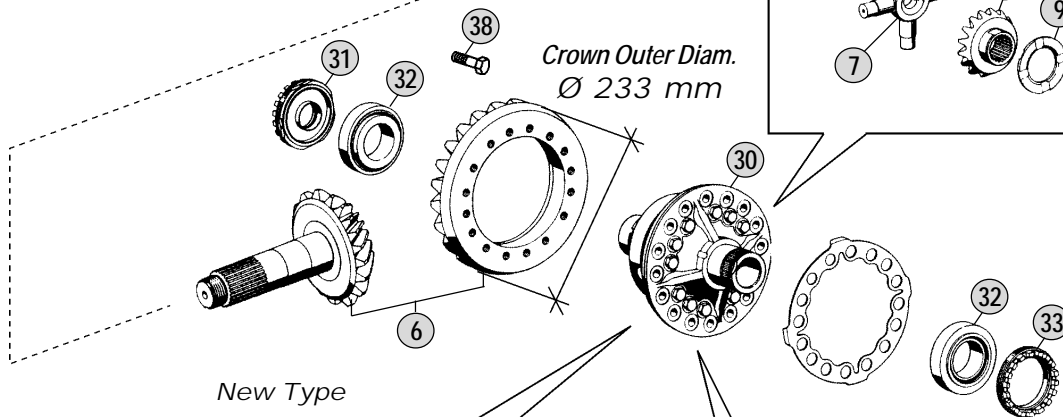
HD7 + HL7



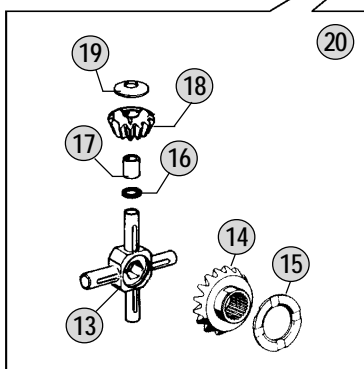
Old Type  
(MAN current production)



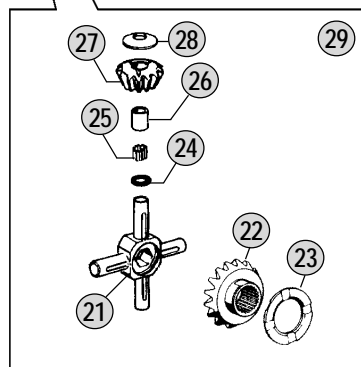
Crown Outer Diam.  
Ø 233 mm



New Type



Latest Type



**Models**

HD7/2 - HD7/5 - HD7/11 - HD7/19

From **740.000** To **740.079**

From **748.990** To **748.999**

Fig.	no.	Rif. MB	Description	Q.ty	Note	HD7				
1		387 350 7003	Central Gear 12x27 R.1:2,25	1		●				
1		387 350 7103	Central Gear 15x19 R.1:1,93	1		●				
1		387 350 3503	Central Gear 17x29 R.1:1,70	1		●				
1		387 350 6303	Central Gear 18x27 R.1:1,70	1		●				
1		387 350 2603	Central Gear 21x28 R.1:1,33	1		●				
1		387 350 5303	Central Gear 24x29 R.1:1,20	1		●				
1		387 350 8603	Central Gear 25x29 R.1:1,16	1		●				
2		385 351 0672	Nut M45x1,5	1		●				
3		355 353 0085	Gear 28 T	1	With 355 350 0124/1415 (28x28)	●				
3		355 353 0285	Gear 28 T	1	With 355 350 0324/0624 (30x28)	●				
4		003 981 7805	Bearing 55x120x45,5	1		●				
5		003 981 7005	Bearing 65x140x51	1		●				
6		355 350 4239	Crown & Pinion 12x27 R.=1:2,25	1	52 Km/h	●				
6		355 350 4339	Crown & Pinion 15x29 R.=1:1,93	1	60 Km/h	●				
6		355 350 3939	Crown & Pinion 17x29 R.=1:1,71	1	68 Km/h	●				
6		355 350 4039	Crown & pinion 18x27 R.=1:1,50	1	77 Km/h	●				
6		355 350 4139	Crown & Pinion 21x28 R.=1:1,33	1	87 Km/h	●				
6		355 350 4839	Crown & Pinion 24x29 R.=1:1,21	1	96 Km/h	●				
6		355 350 4939	Crown & Pinion 25x29 R.=1:1,16	1	100 Km/h	●				
7		308 353 0020	Differential Spider	1	Old Type	●				
8		355 353 0315	Side Gear 16 T-34 Splines	2	Old Type	●				
9		355 353 0562	Thrust Washer (Bronze)	2		●				
9		308 353 0062	Thrust Washer (Steel)	2		●				
10		494 335 0214	Side Pinion 10 T	4	Old Type	●				
11		494 335 0075	Thrust Washer	4	Old Type	●				
12		CEI 198859	Differential Gear Kit	1	Old Type	●				
13		355 353 0620	Differential Spider	1	New Type	●				
14		355 353 0315	Side Gear 16 T-34 Splines	2	(A) New Type	●				
14		355 353 0815	Side Gear 16 T-34 Splines	2	(B) New Type	●				
15		355 353 0562	Thrust Washer (Bronze)	2		●				
15		308 353 0062	Thrust Washer (Steel)	2		●				
16		355 353 6051	Spacer Ring	4	New Type	●				
17		355 353 0750	Bush 22x26x24,5	4	New Type	●				
18		494 335 0214	Side Pinion 10 T	4	(A) New Type	●				
18		355 353 0614	Side Pinion 10 T	4	(B) New Type	●				
19		494 335 0075	Thrust Washer	4	New Type	●				
20		393 586 0035	Differential Gear Kit	1	(A) New Type	●				
20		393 350 0040	Differential Gear Kit	1	(B) New Type	●				
21		395 353 0320	Differential Spider	1	Latest Type	●				
22		355 353 0615	Side Gear 14 T-34 Splines	2	Latest Type	●				
23		355 353 0562	Thrust Washer (Bronze)	2		●				
23		308 353 0062	Thrust Washer (Steel)	2		●				
24		395 353 0551	Spacer	4	Latest Type	●				
25		395 981 0287	Needle Kit (156 Pcs)	1	Latest Type	●				
26		395 353 0351	Bush	4	Latest Type	●				

Notes

(A - B) To be coupled together

Date

04 / 2011

Table

0430

Intermediate Axle  
with CWP Ø 233



Adattabile a : **MERCEDES**

HD7/2 - HD7/5 - HD7/11 - HD7/19

**Models**

LP-NG

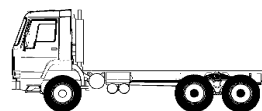
(CH 343.xxx - 346.xxx - 387.xxx  
389.xxx - 391.xxx - 393.xxx - 395.xxx)

LK

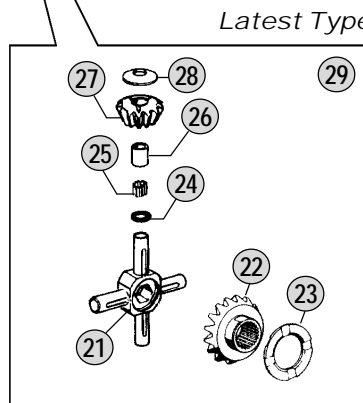
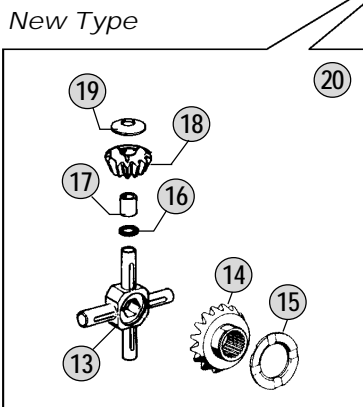
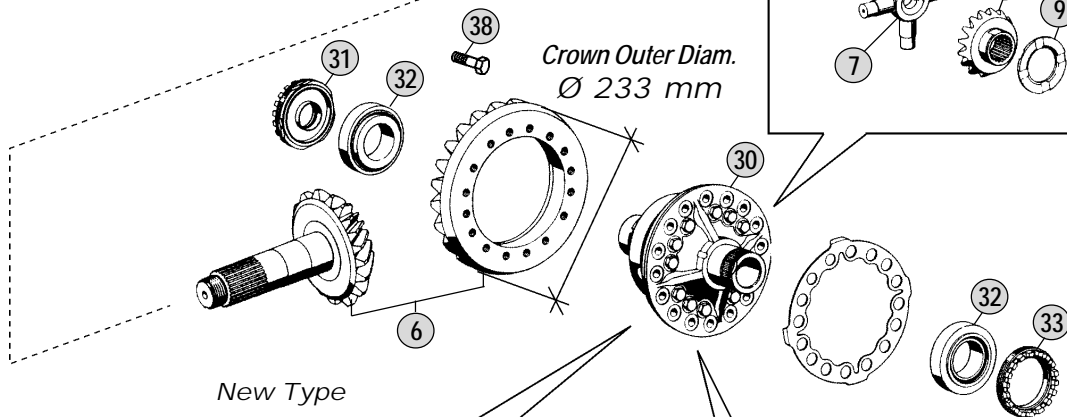
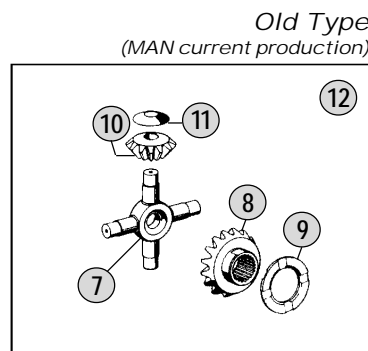
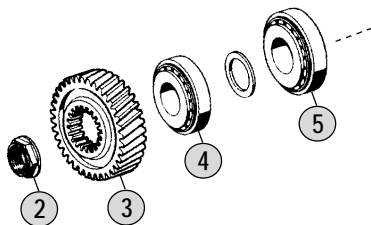
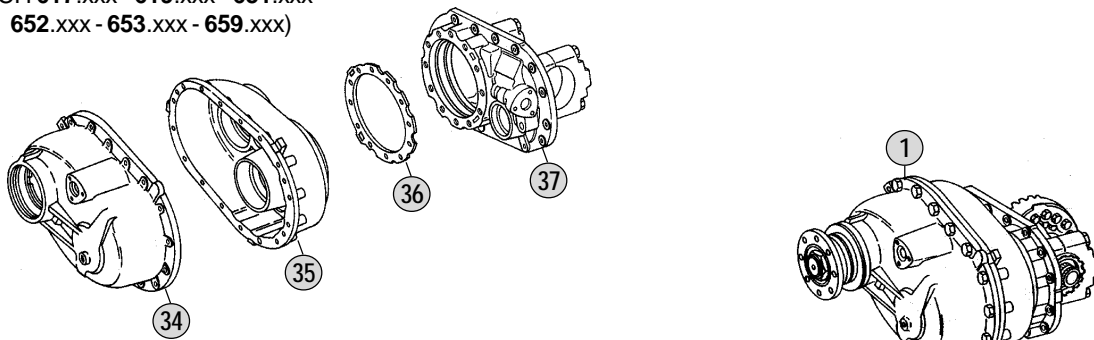
(CH From 673.xxx To 677.xxx)

MK-SK

(CH 617.xxx - 619.xxx - 651.xxx  
652.xxx - 653.xxx - 659.xxx)



HD7 + HL7



**Models**

HD7/2 - HD7/5 - HD7/11 - HD7/19

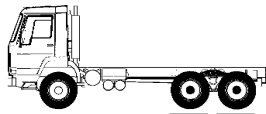
From **740.000** To **740.079**

From **748.990** To **748.999**



Adattabile a : **MERCEDES**  
 Suitable To :

Ponte Intermedio / Intermediate Axle  
 HD7/9 - HD7/14 - HD7/16



**HD7 + HL7**

Axles with  
 Ø 300 mm CWP

**Models**

**LP-NG**

(CH 343.xxx - 346.xxx - 387.xxx -  
 389.xxx - 391.xxx - 393.xxx - 395.xxx)

**LK**

(CH From 673.xxx To 677.xxx)

**MK-SK**

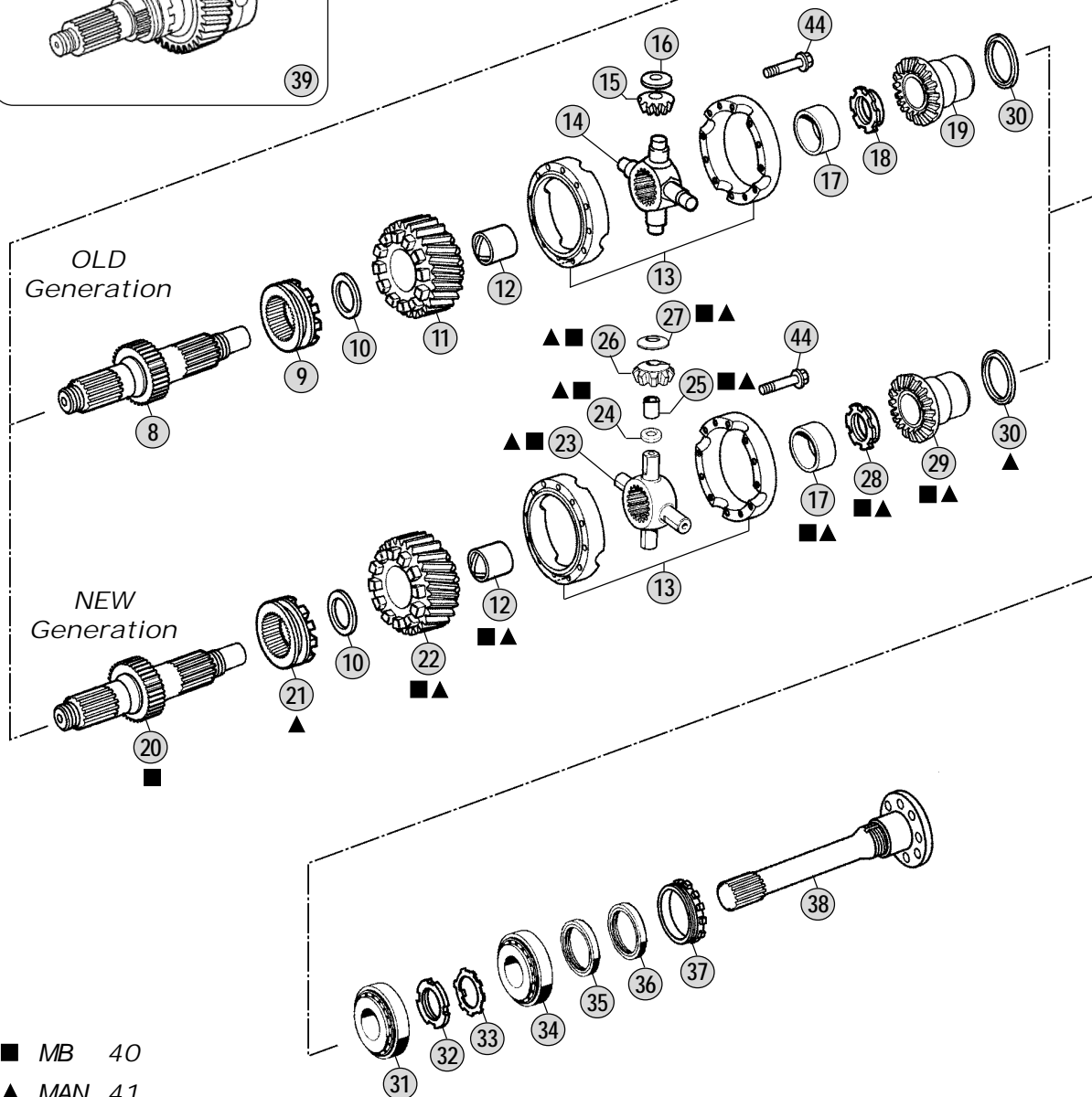
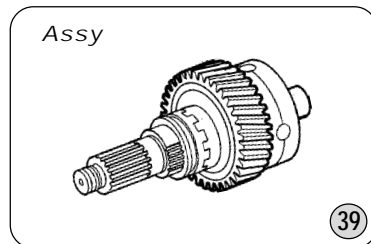
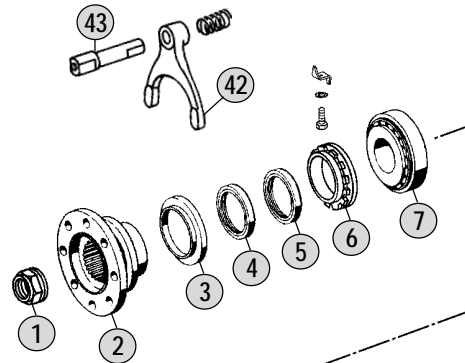
(CH 617.xxx - 619.xxx - 651.xxx  
 652.xxx - 653.xxx - 659.xxx)

**ACTROS MP1**

(CH From 950.xxx To 954.xxx)

**MAXI-ATEGO**

(CH From 950.500 to 950.563)



■ MB 40

▲ MAN 41

**Models**

HD7/9 - HD7/14 - HD7/16

From **740.500** To **740.550**

Fig.	no.	Rif. MB	Description	Q.ty	Note	HDT/9-14-16				
1		946 351 0072	Nut M55x1,5	1		●				
2		346 350 0545	Output Flange D.180 mm	1		●				
2		942 350 0045	Output Flange D.180 mm	1		●				
2		346 350 1645	Output Flange D.200 mm	1		●				
2		346 350 0945	Output Flange D.255 mm	1		●				
3		346 353 0090	Oil Collector	1		●				
4		017 997 2847	Oil seal 105x85x16	1		●				
5		017 997 2947	Oil seal 105x85x16	1		●				
6		346 353 0825	Adjusting ring	1		●				
7		000625 920066	Bearing 65x140x33	1		●				
8		346 353 0335	Shaft 31/42/34 T	1		●				
9		346 353 0836	Sliding sleeve	1		●				
10		346 353 1962	Thrust Washer T.3,65 mm (Bronze)	1		●				
10		346 353 1862	Thrust Washer T.3,85 mm (Bronze)	1		●				
10		346 353 1762	Thrust Washer Sp.4,00 mm (Bronze)	1		●				
10		346 353 2662	Thrust Washer Sp.4,20 mm (Bronze)	1		●				
11		346 353 0385	Gear 30/18 T	1		●				
12		346 353 0450	Bush 70x75x53	1		●				
13		346 350 2327	Differential Housing Empty	1		●				
14		346 350 0128	Differential Spider	1		●				
15		346 353 0514	Side Pinion 11 T	4		●				
16		346 353 0224	Thrust Washer	4		●				
17		346 353 0650	Bush	1		●				
18		346 353 0126	Grooved Nut M60x1,5	1		●				
19		346 353 0515	Side Gear 18 T-26 Splines	1		●				
20		346 353 0735	Shaft 31/42/34 T	1		●				
21		346 353 1136	Sliding Sleeve	1		●				
22		346 350 1324	Gear 30/18 T	1		●				
23		659 353 0020	Differential Spider	1		●				
24		659 353 0051	Spacer	4		●				
25		659 353 0050	Bush	4		●				
26		659 353 0014	Side Pinion 11 T	4		●				
27		346 353 0224	Thrust Washer	4		●				
28		346 353 0326	Grooved Nut M60x1,5	1		●				
29		346 353 1115	Side Gear 18 T-26 Spl.	1		●				
30		346 353 2462	Thrust Washer T.2,35 mm (Bronze)	1		●				
30		346 353 2562	Thrust Washer T.2,60 mm (Bronze)	1		●				
31		000000 000759	Bearing 80x140x26	1		●				
32		674 356 0226	Grooved Nut M60x1,5	1		●				
33		070952 060102	Thrust Washer	1		●				
34		005 981 5925	Bearing 60x110x22	1		●				
35		017 997 3147	Oil Seal Th.2,85(75x95x10) mm	1		●				
36		017 997 3047	Oil Seal 75x95x10	1		●				
37		346 353 0925	Grooved Nut	1		●				
38		346 353 0435	Drive Shaft with Flange L=392	1		●				

Notes

Date

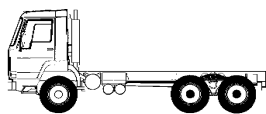
04 / 2011

Table

0440

Intermediate Axle  
with CWP Ø 300

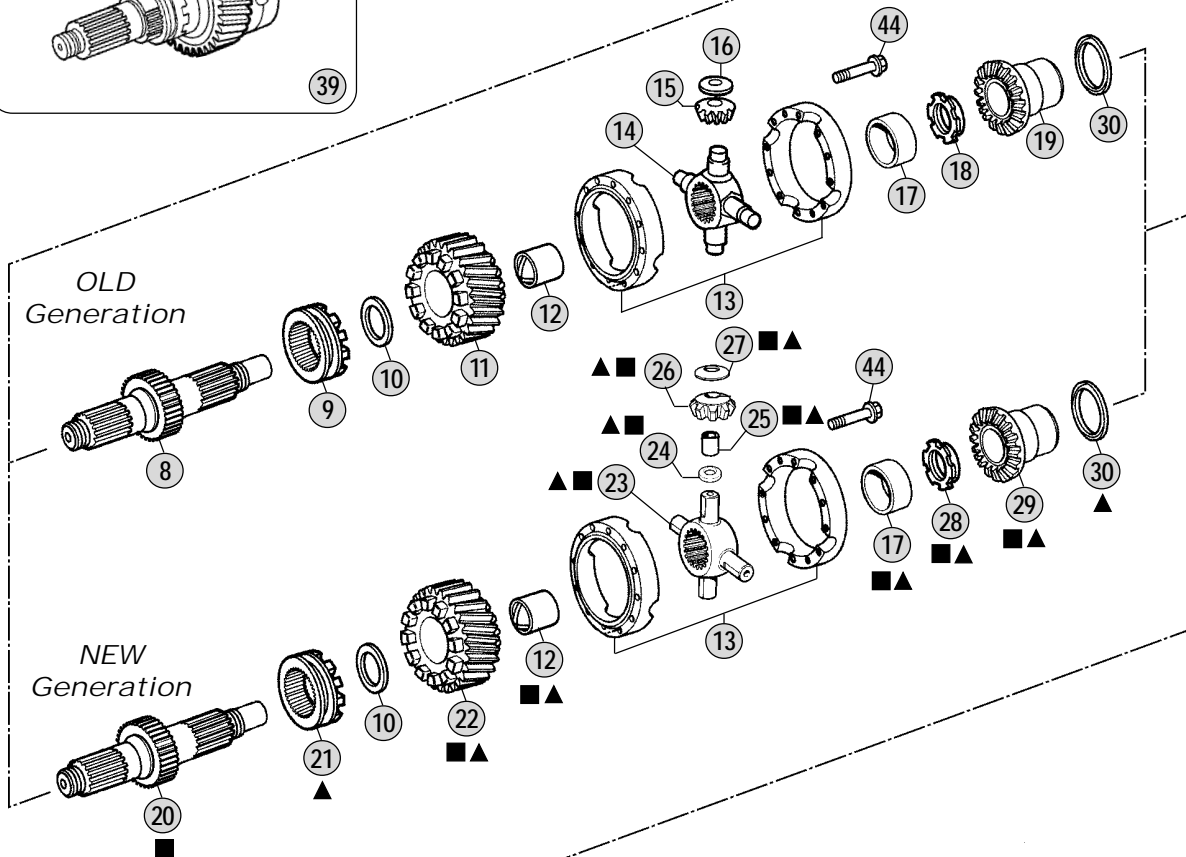
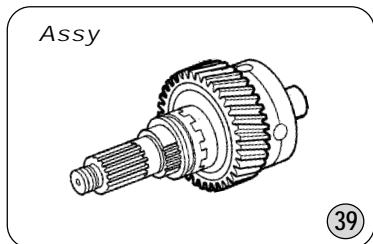
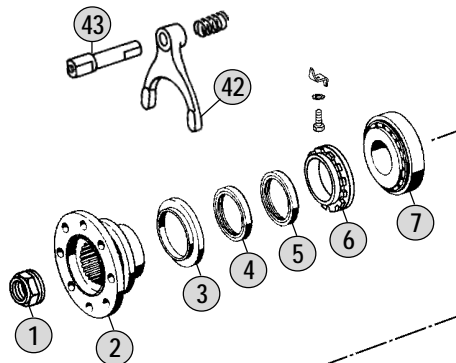
Adattabile a : **MERCEDES**  
Suitable To :



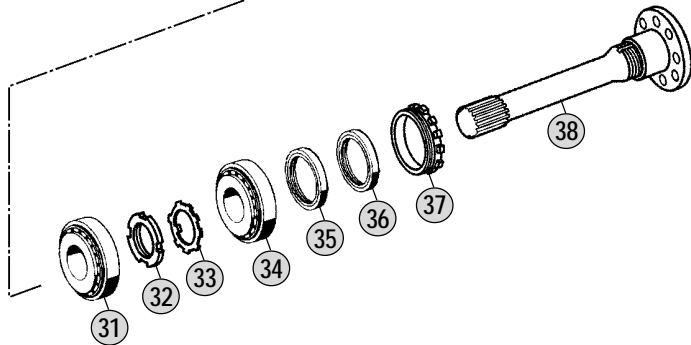
**HD7 + HL7**

Axles with  
Ø 300 mm CWP

**Models**  
LP-NG  
(CH 343.xxx - 346.xxx - 387.xxx -  
389.xxx - 391.xxx - 393.xxx - 395.xxx)  
LK  
(CH From 673.xxx To 677.xxx)  
MK-SK  
(CH 617.xxx - 619.xxx - 651.xxx  
652.xxx - 653.xxx - 659.xxx)  
ACTROS MP1  
(CH From 950.xxx To 954.xxx)  
MAXI-ATEGO  
(CH From 950.500 to 950.563)



- MB 40
- ▲ MAN 41



**Models**

HD7/9 - HD7/14 - HD7/16  
From **740.500** To **740.550**





Adattabile a : **MERCEDES**  
 Suitable To :

Ponte Intermedio / Intermediate Axle  
 HD7/9 - HD7/14 - HD7/16

**Models**

LP-NG

(CH 343.xxx - 346.xxx - 387.xxx  
 389.xxx - 391.xxx - 393.xxx - 395.xxx)

LK

(CH From 673.xxx To 677.xxx)

MK-SK

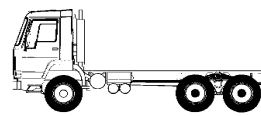
(CH 617.xxx - 619.xxx - 651.xxx  
 652.xxx - 653.xxx - 659.xxx)

ACTROS MP1

(CH From 950.xxx To 954.xxx)

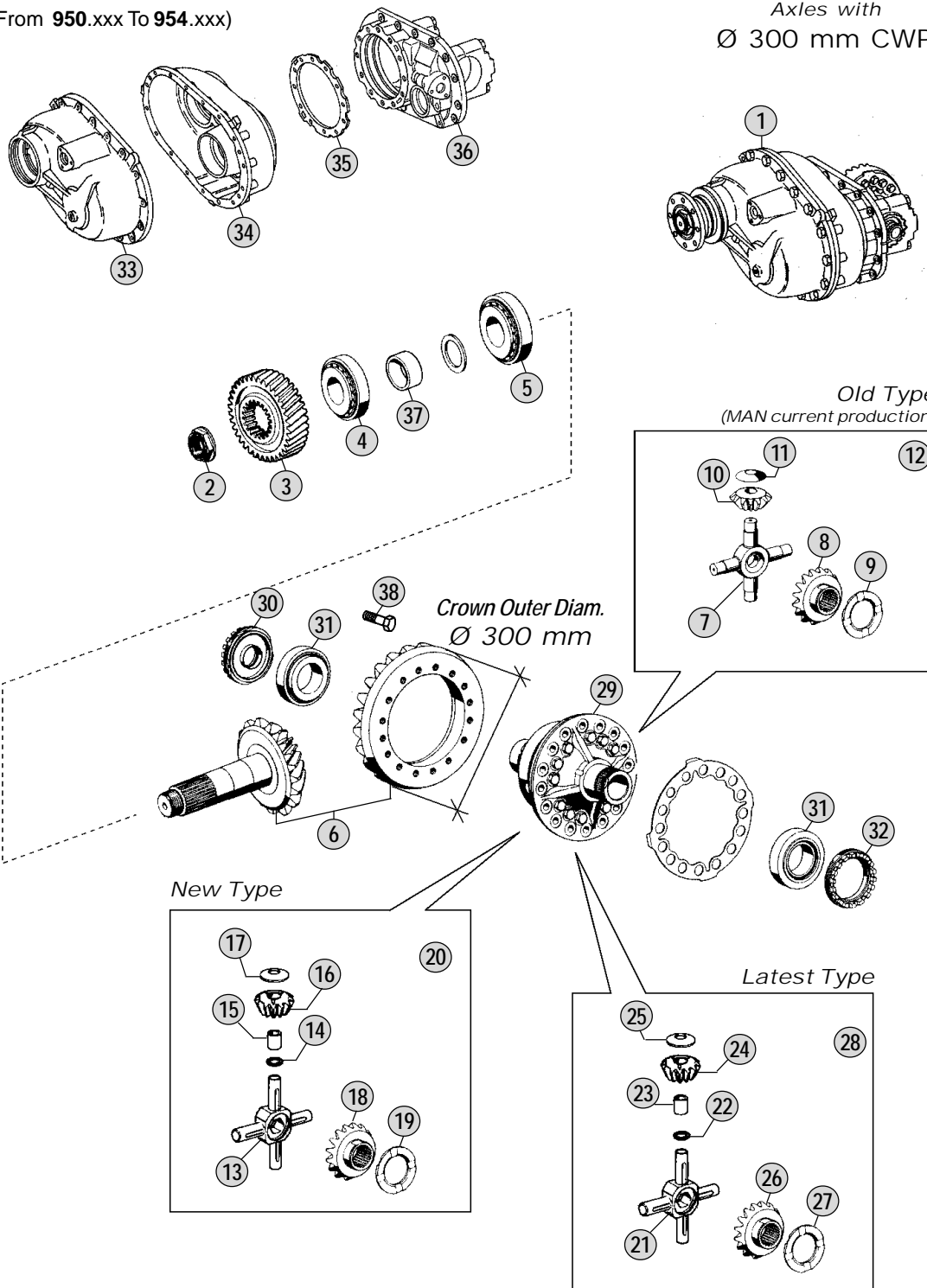
MAXI-ATEGO

(CH From 950.500 to 950.563)



**HD7 + HL7**

Axles with  
 Ø 300 mm CWP



**Models**

HD7/9 - HD7/14 - HD7/16

From **740.500** To **740.550**

Fig.	no.	Rif. MB	Description	Q.ty	Note	HDT/9-14-16				
1		346 350 2703	Central Gear 12x27 R.1:2,25	1		●				
1		346 350 2720	Central Gear 15x19 R.1:1,93	1		●				
1		655 350 0320	Central Gear 17x29 R.1:1,70	1		●				
1		346 350 2520	Central Gear 18x27 R.1:1,70	1		●				
1		655 350 1220	Central Gear 21x28 R.1:1,33	1		●				
1		346 350 8820	Central Gear 24x29 R.1:1,20	1		●				
2		946 351 0072	Nut M55x1,5	1		●				
3		346 353 0085	Gear 30 T	1		●				
4		003 981 7005	Bearing 65x140x51	1		●				
5		003 981 3105	Bearing 70x150x38	1		●				
6		346 350 3139	Crown & Pinion 12x27 R.=1:2,25	1	(A)	●				
6		346 350 2339	Crown & Pinion 15x29 R.=1:1,93	1	(A)	●				
6		346 350 2639	Crown & Pinion 17x29 R.=1:1,71	1	(A)	●				
6		346 350 2739	Crown & Pinion 18x27 R.=1:1,50	1	(A)	●				
6		346 350 2939	Crown & Pinion 21x28 R.=1:1,33	1	(A)	●				
6		346 350 3639	Crown & Pinion 24x29 R.=1:1,21	1	(B)	●				
7		346 350 0228	Differential Spider	1	Old Type	●				
8		346 353 0315	Side Gear 16 T-40 Splines	2	(1) Old Type	●				
8		346 353 0815	Side Gear 16 T-40 Splines	2	(2) Old Type	●				
9		346 353 2262	Thrust Washer	2		●				
10		366 353 0414	Side Pinion 11 T	4	(1) Old Type	●				
10		CEI 182080	Side Pinion 11 T	4	(2) Old Type	●				
11		346 353 0124	Thrust Washer	4		●				
12		CEI 198915	Differential Gear Kit	1	(2) Old Type	●				
13		346 353 0420	Differential Spider	1	New Type	●				
14		346 353 3251	Spacer	4	New Type	●				
15		346 353 0950	Bush 28x32x35	4	New Type	●				
16		346 353 0614	Side Pinion 11 T	4	New Type	●				
17		346 353 0124	Thrust Washer	4		●				
18		346 353 0315	Side Gear 16 T-40 Splines	2	New Type	●				
19		346 353 2262	Thrust Washer	2		●				
20		387 586 0035	Differential Gear kit	1	New Type	●				
21		346 353 0420	Differential Spider	1	Latest Type	●				
22		346 353 3251	Spacer	4	Latest Type	●				
23		346 353 0950	Bush 28x32x35	4	Latest Type	●				
24		346 353 1014	Side Pinion 11 T	4	Latest Type	●				
25		346 353 0124	Thrust Washer	4		●				
26		346 353 0815	Side Gear 16 T-40 Splines	2	Latest Type	●				
27		346 353 2262	Thrust Washer	2		●				
28		387 350 0040	Differential Gear kit	1	Latest Type	●				
29		346 350 0427	Differential Housing Empty	1	(A)	●				
29		346 350 8123	Differential Housing Assy	1	(A)	●				
29		346 350 0827	Differential Housing Empty	1	(B)	●				
29		346 350 6623	Differential Housing Assy	1	(B)	●				
30		346 350 0443	Grooved Nut	1		●				

## Notes

(A - B) To be coupled together  
(1 - 2) To be coupled together

## Date

04 / 2011

## Table

0450

Intermediate Axle  
with CWP Ø 300

Adattabile a : **MERCEDES**  
 Suitable To :

Ponte Intermedio / Intermediate Axle  
 HD7/9 - HD7/14 - HD7/16

**Models**

LP-NG

(CH 343.xxx - 346.xxx - 387.xxx  
 389.xxx - 391.xxx - 393.xxx - 395.xxx)

LK

(CH From 673.xxx To 677.xxx)

MK-SK

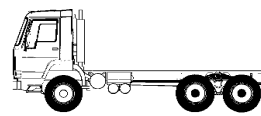
(CH 617.xxx - 619.xxx - 651.xxx  
 652.xxx - 653.xxx - 659.xxx)

ACTROS MP1

(CH From 950.xxx To 954.xxx)

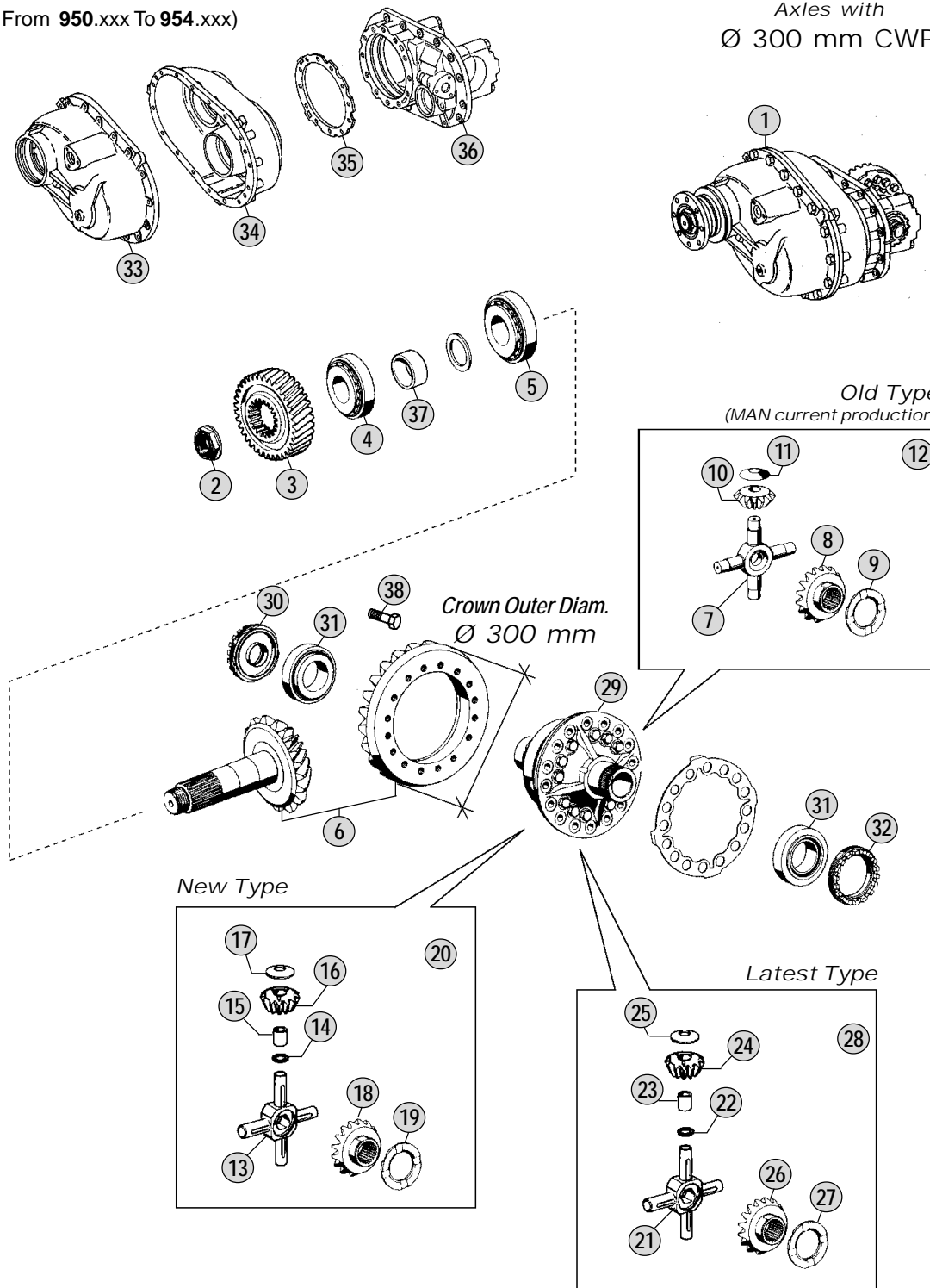
MAXI-ATEGO

(CH From 950.500 to 950.563)



**HD7 + HL7**

Axles with  
 Ø 300 mm CWP



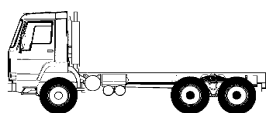
**Models**

HD7/9 - HD7/14 - HD7/16  
 From **740.500** To **740.550**



Adattabile a : **MERCEDES**  
 Suitable To :

Ponte Intermedio / Intermediate Axle  
 HD4/21 G - HD4/21 DG-10



**HD4 + HL4**

Axles with  
 Ø 368 mm CWP

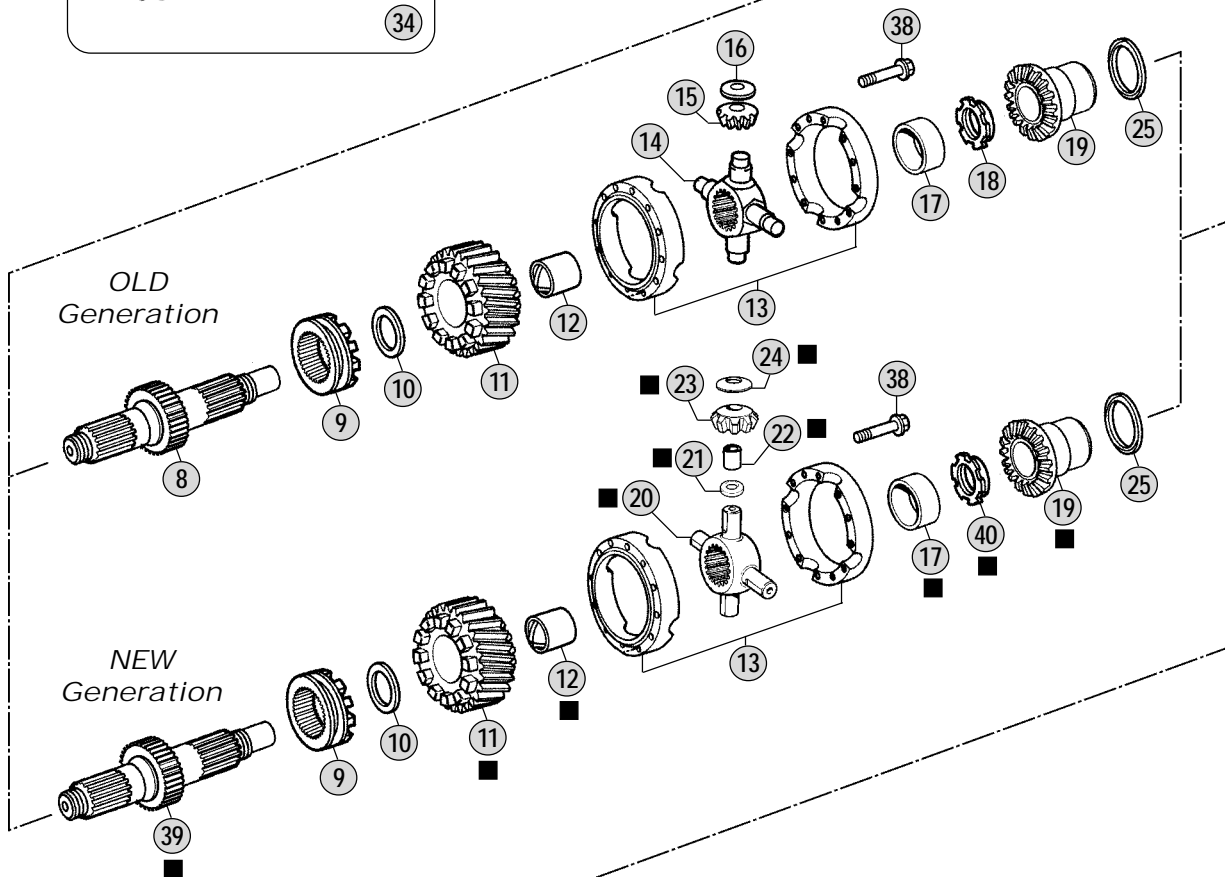
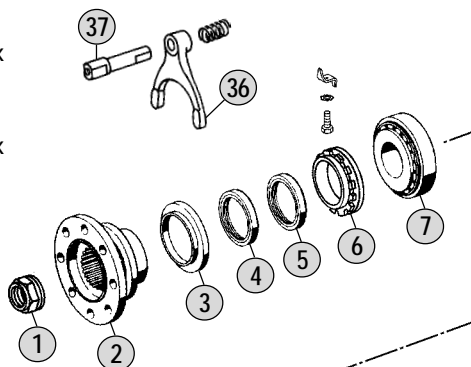
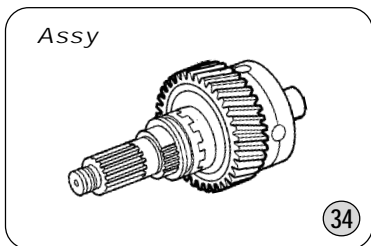
**Models**

LP-NG

(CH 387.xxx - 389.xxx - 391.xxx  
 393.xxx - 395.xxx)

MK-SK

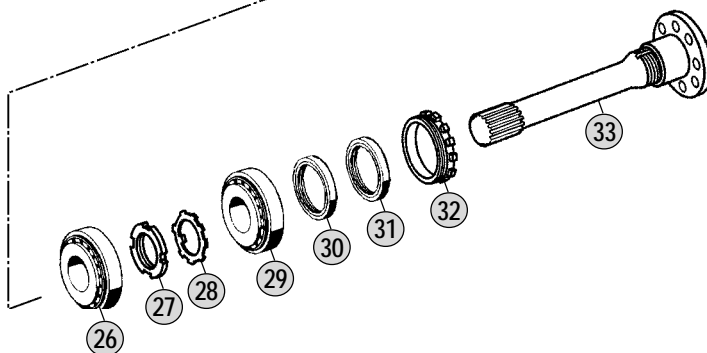
(CH 617.xxx - 619.xxx - 651.xxx  
 652.xxx - 653.xxx - 659.xxx)



OLD  
 Generation

NEW  
 Generation

Kits  
 ■ MB 35



**Models**

HD4/21 G - HD4/21 DG-10

744.803-807-809-830-832-834-842-845-854-856-858-860-862-863-868-870-876

Fig.	no.	Rif. MB	Description	Q.ty	Note	HDM21 G / DG-10				
1		385 351 0672	Nut M45x1,5	1		●				
2		385 350 0145	Output Flange D.150 mm	1		●				
2		653 353 0145	Output Flange D.150 mm	1		●				
2		355 350 0645	Output Flange D.165 mm	1		●				
3		355 353 0391	Oil Collector	1		●				
4		023 997 8547	Oil Seal 80x100x12	1		●				
5		020 997 9947	Oil Seal 80x110x10	1		●				
6		355 353 0325	Grooved Nut	1		●				
7		000625 920067	Bearing 60x130x31	1		●				
8		355 353 0235	Shaft 28/41/28 T	1		●				
9		355 353 1236	Sliding Sleeve	1		●				
10		355 353 1862	Thrust Washer T.4,00 mm (Bronze)	1		●				
10		355 353 1962	Thrust Washer T.3,85 mm (Bronze)	1		●				
11		385 353 0085	Gear 30/16 T	1		●				
12		355 353 0950	Bush 60x64x50	1		●				
13		355 350 1827	Diff.Housing Empty W/Screw	1		●				
14		355 350 0128	Differential Spider	1		●				
15		355 353 0214	Side Pinion 10 T	4		●				
16		355 353 0176	Thrust Washer	4		●				
17		355 353 1050	Bush 44x49x35	1		●				
18		355 353 0026	Grooved Nut M48x1,5	1		●				
19		385 353 0115	Side Gear 16 T / 22 Spl	1		●				
20		653 353 0020	Differential Spider	1		●				
21		653 353 0051	Spacer	4		●				
22		653 353 0050	Bush	4		●				
23		653 353 0014	Side Pinion 10 T	4		●				
24		355 353 0176	Thrust Washer	4		●				
25		355 353 2262	Thrust Washer 102x2,35 mm (Bronze)	1		●				
25		355 353 2462	Thrust Washer 102x2,45 mm (Bronze)	1		●				
25		355 353 2362	Thrust Washer 102x2,60 mm (Bronze)	1		●				
25		355 353 2662	Thrust Washer 102x2,80 mm (Bronze)	1		●				
26		003 981 4825	Bearing	1		●				
27		070852 055000	Grooved Nut M55x1,5	1		●				
28		070952 055102	Thrust Washer	1		●				
29		002 981 8125	Bearing 55x100x21	1		●				
30		017 997 2747	Oil Seal 68x90x10	1		●				
31		017 997 2647	Oil Seal 68x90x10	1		●				
32		355 353 0225	Grooved Nut M102X1,5	1	(A)	●				
32		385 353 1025	Grooved Nut	1	(B)	●				
33		355 353 0335	Drive Shaft With Flange	1	(A)	●				
33		385 353 0335	Drive Shaft With Flange L=333	1	(B)	●				
34		387 350 9723	Differential Shaft Kit	1		●				
35		658 350 0123	Differential Gear kit	1		●				
36		385 353 0034	Fork	1		●				
37		346 353 0535	Pin	1		●				

Notes

(A - B) To be coupled together

Date

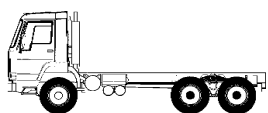
04 / 2011

Table

**0460**Intermediate Axle  
with CWP Ø 368



Adattabile a : **MERCEDES**  
Suitable To :



**HD4 + HL4**

Axles with  
Ø 368 mm CWP

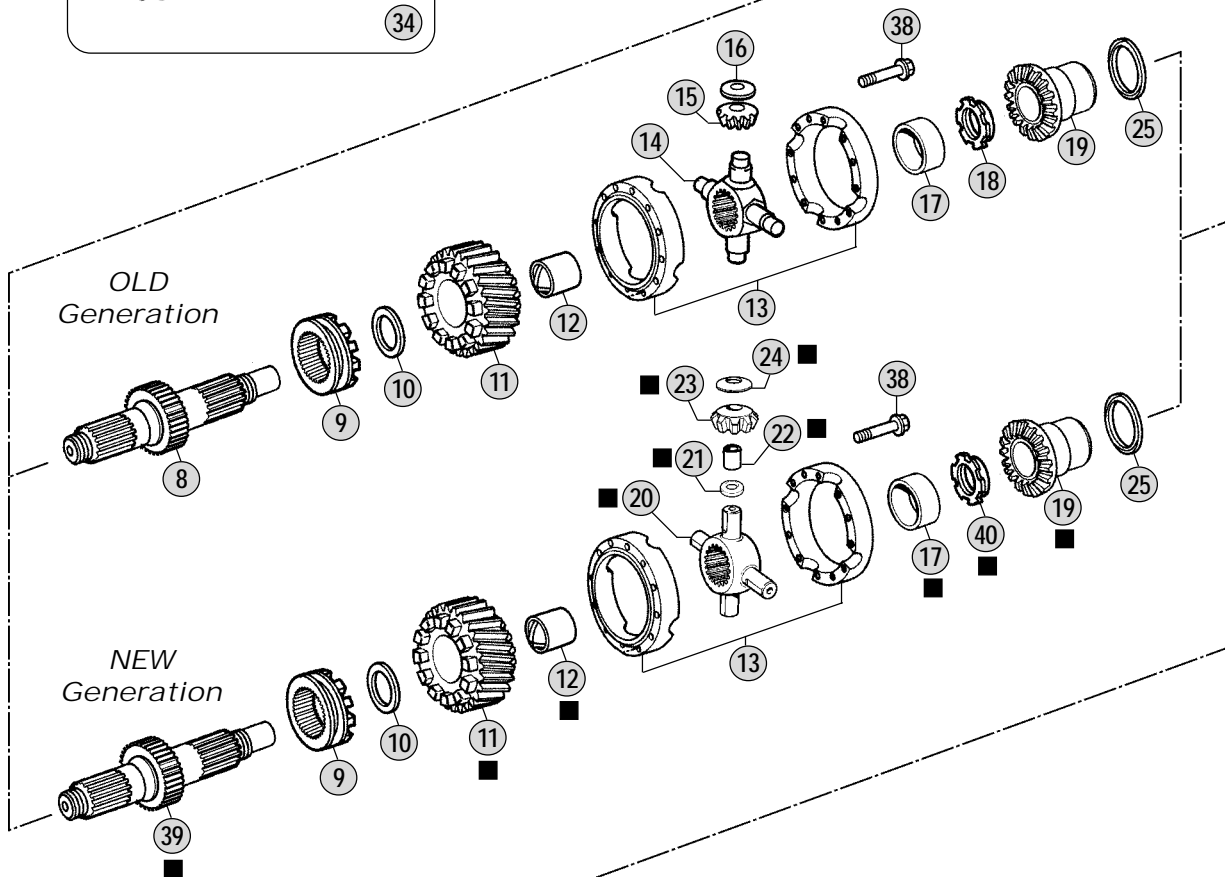
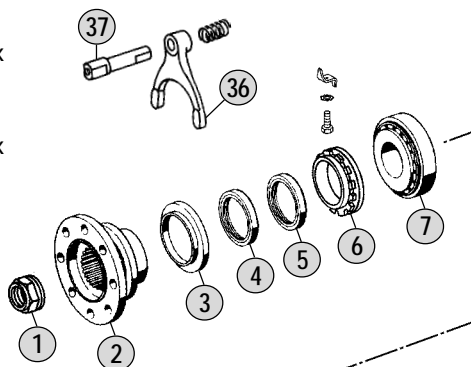
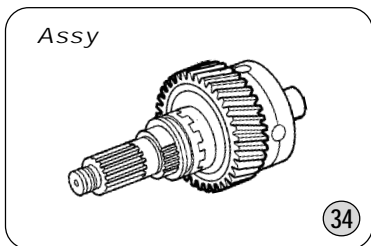
**Models**

LP-NG

(CH 387.xxx - 389.xxx - 391.xxx  
393.xxx - 395.xxx)

MK-SK

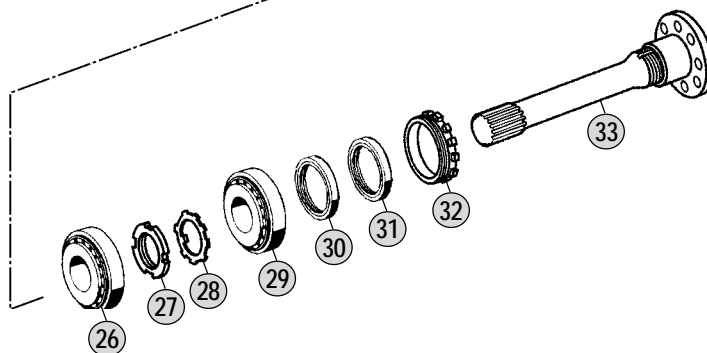
(CH 617.xxx - 619.xxx - 651.xxx  
652.xxx - 653.xxx - 659.xxx)



NEW  
Generation

OLD  
Generation

Kits  
■ MB 35



**Models**

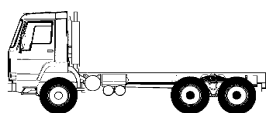
HD4/21 G - HD4/21 DG-10

744.803-807-809-830-832-834-842-845-854-856-858-860-862-863-868-870-876



Adattabile a : **MERCEDES**  
 Suitable To :

Ponte Intermedio / Intermediate Axle  
 HD4/21 G - HD4/21 DG-10



**HD4 + HD4**

Axles with  
 Ø 368 mm CWP

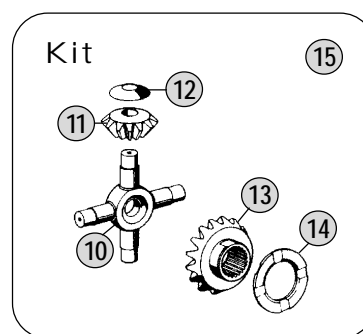
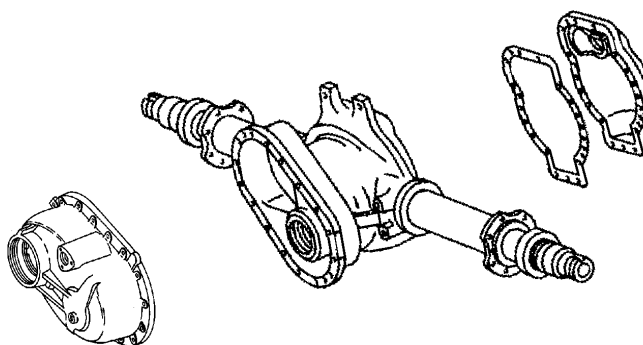
**Models**

LP-NG

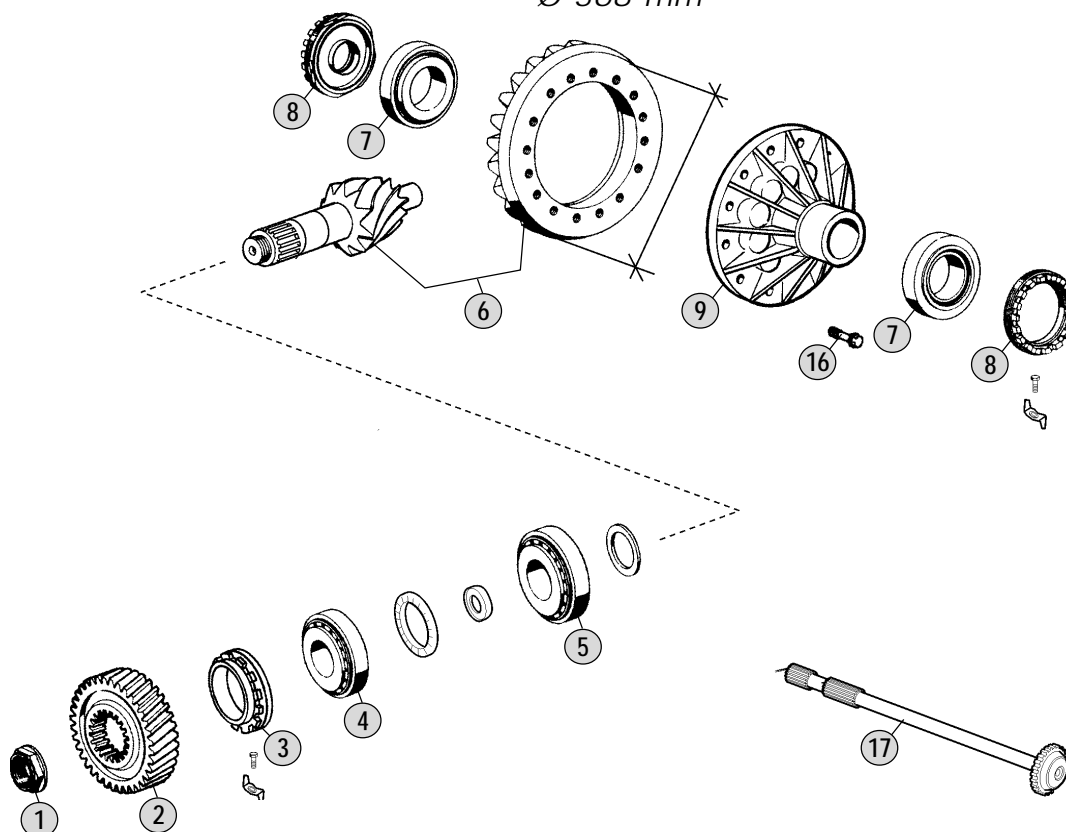
(CH 387.xxx - 389.xxx - 391.xxx  
 393.xxx - 395.xxx)

MK-SK

(CH 617.xxx - 619.xxx - 651.xxx  
 652.xxx - 653.xxx - 659.xxx)



Crown Outer Diam.  
 Ø 368 mm



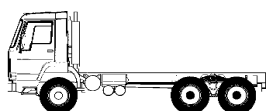
**Models**

HD4/21 G - HD4/21 DG-10

744.803-807-809-830-832-834-842-845-854-856-858-860-862-863-868-870-876



Adattabile a : **MERCEDES**  
 Suitable To :



**HD4 + HL4**

Axles with  
 Ø 410 mm CWP

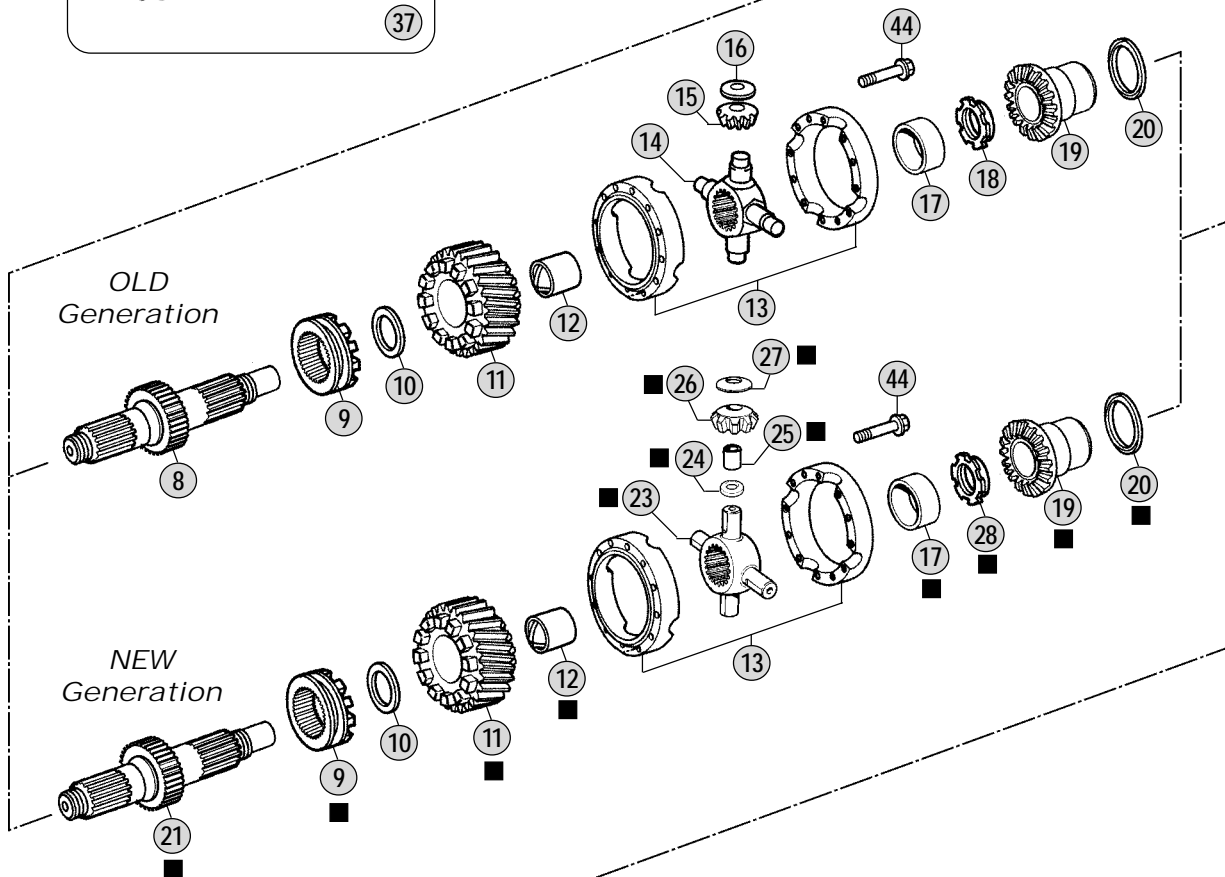
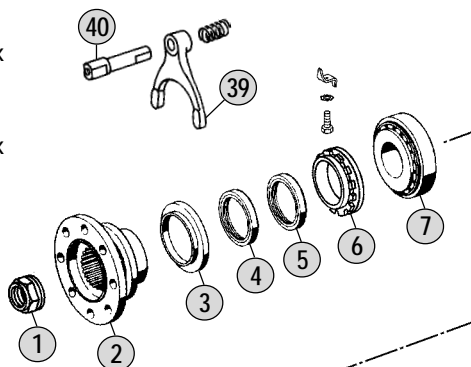
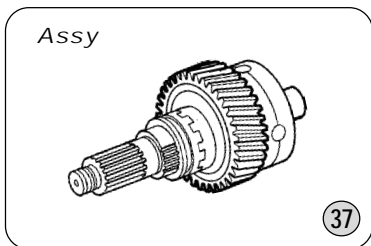
**Models**

LP-NG

(CH 387.xxx - 389.xxx - 391.xxx  
 393.xxx - 395.xxx)

MK-SK

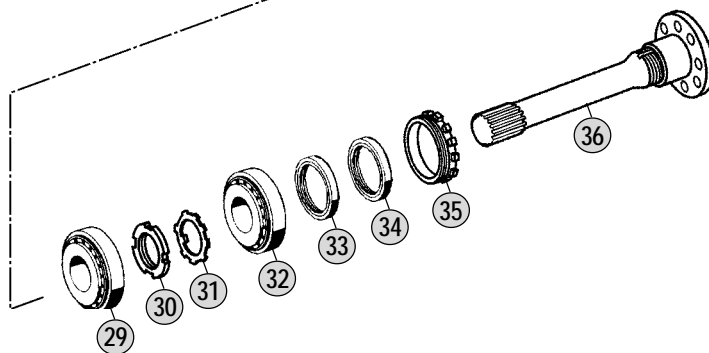
(CH 617.xxx - 619.xxx - 651.xxx  
 652.xxx - 653.xxx - 659.xxx)



NEW Generation

OLD Generation

Kits  
 ■ MB 38



**Models**

HD4/02 GD-10

745.700-702-730-732-736-738-739-741

Fig.	no.	Rif. MB	Description	Q.ty	Note	HD4/02 GD-10				
1		385 351 0672	Nut M45x1,5	1		●				
2		355 350 0645	Output Flange D.165 mm	1		●				
2		355 350 0745	Output Flange D.180 mm	1		●				
2		385 350 0145	Output Flange D.150 mm	1		●				
3		355 353 0391	Oil Collector	1		●				
4		023 997 8547	Oil Seal 80x100x12	1		●				
5		020 997 9947	Oil Seal 80x110x10	1		●				
6		355 353 0325	Grooved Nut	1		●				
7		000625 920067	Bearing 60x130x31	1		●				
8		355 353 0235	Shaft 28/41/28 T	1		●				
9		355 353 1236	Sliding Sleeve	1		●				
10		355 353 1862	Thrust Washer T.4,00 mm (Bronze)	1		●				
10		355 353 1962	Thrust Washer T.3,85 mm (Bronze)	1		●				
10		355 353 2062	Thrust Washer T.3,65 mm (Bronze)	1		●				
11		385 353 0085	Gear 30/16 T	1		●				
12		355 353 0950	Bush 60x64x50	1		●				
13		355 350 1827	Diff.Housing Empty W/Screw	1		●				
14		355 350 0128	Differential Spider	1		●				
15		355 353 0214	Side Pinion 10 T	4		●				
16		355 353 0176	Thrust Washer	4		●				
17		355 353 1050	Bush 44x49x35	1		●				
18		355 353 0026	Grooved Nut M48x1,5	1		●				
19		385 353 0115	Side Gear 16 T / 22 Spl	1		●				
20		355 353 2262	Thrust Washer 102x2,35 mm (Bronze)	1		●				
20		355 353 2462	Thrust Washer 102x2,45 mm (Bronze)	1		●				
20		355 353 2362	Thrust Washer 102x2,60 mm (Bronze)	1		●				
20		355 353 2662	Thrust Washer 102x2,80 mm (Bronze)	1		●				
21		355 353 0935	Shaft 28/41/28 T	1		●				
23		653 353 0020	Differential Spider	1		●				
24		653 353 0051	Spacer	4		●				
25		653 353 0050	Bush	4		●				
26		653 353 0014	Side Pinion 10 T	4		●				
27		355 353 0176	Thrust Washer	4		●				
28		355 353 0126	Grooved Nut M48x1,5	1		●				
29		007 981 0201	Bearing	1		●				
30		070852 055000	Grooved Nut M55x1,5	1		●				
31		070952 055102	Thrust Washer	1		●				
32		002 981 8125	Bearing 55x100x21	1		●				
33		017 997 2747	Oil Seal 68x90x10	1		●				
34		017 997 2647	Oil Seal 68x90x10	1		●				
35		385 353 1025	Grooved Nut	1		●				
36		385 353 0435	Drive Shaft With Flange	1		●				
36		385 353 0535	Drive Shaft With Flange	1		●				
37		387 350 9723	Differential Shaft Kit	1		●				
38		658 350 0123	Differential Gear kit	1		●				

Intermediate Axle  
with CWP Ø 410NotesDate

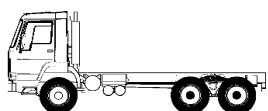
04 / 2011

Table**0480**



Adattabile a : **MERCEDES**  
 Suitable To :

HD4/02 GD-10



**HD4 + HL4**

Axles with  
 Ø 410 mm CWP

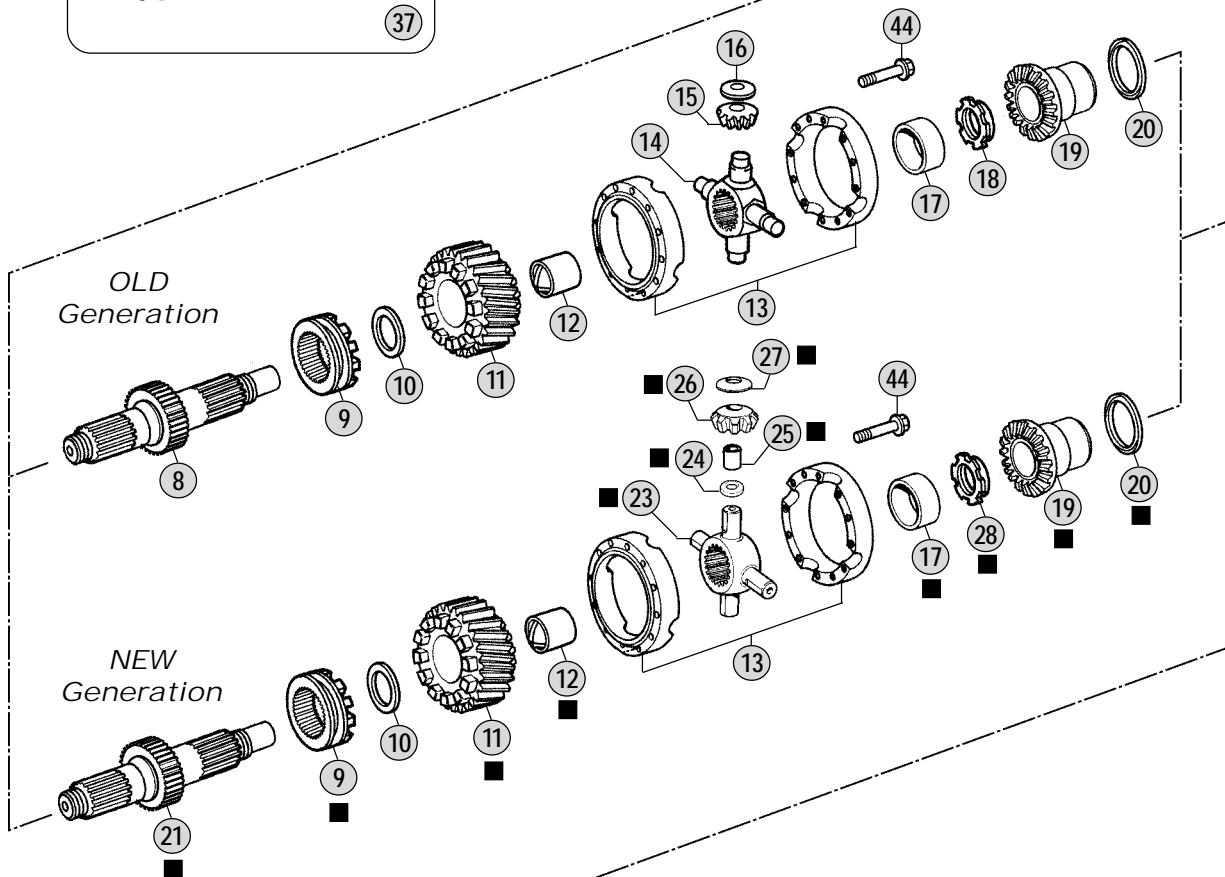
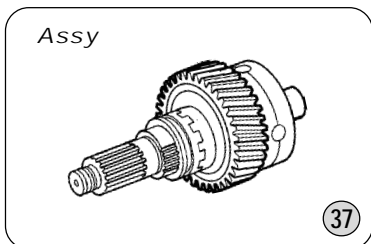
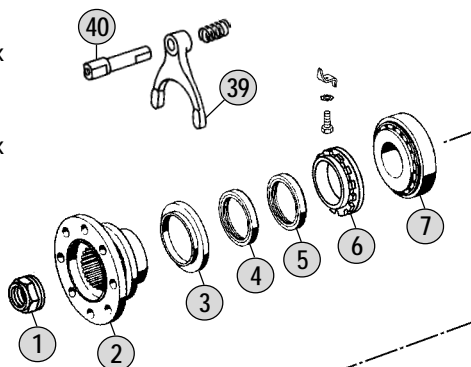
**Models**

LP-NG

(CH 387.xxx - 389.xxx - 391.xxx  
 393.xxx - 395.xxx)

MK-SK

(CH 617.xxx - 619.xxx - 651.xxx  
 652.xxx - 653.xxx - 659.xxx)

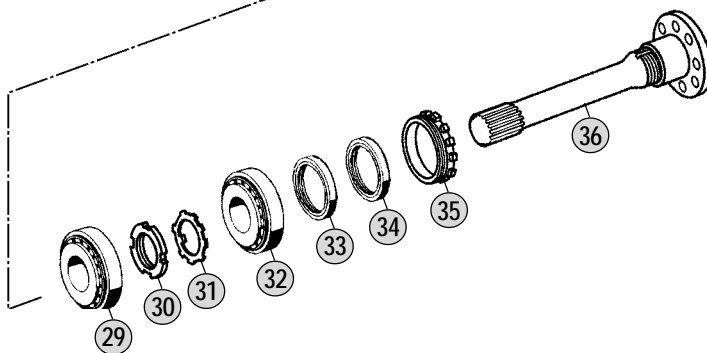


OLD  
 Generation

NEW  
 Generation

**Kits**

■ MB 38



**Models**

HD4/02 GD-10

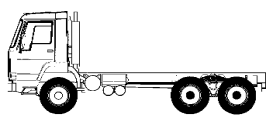
745.700-702-730-732-736-738-739-741



Adattabile a : **MERCEDES**

Suitable To :

HD4/02 GD-10

**HD4 + HD4**

Axles with

Ø 410 mm CWP

**Models**

LP-NG

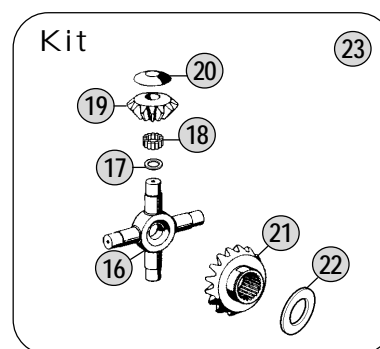
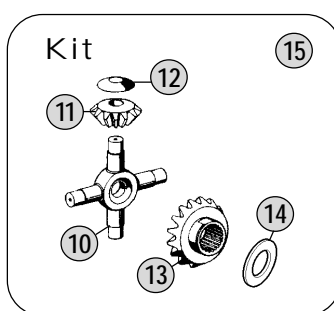
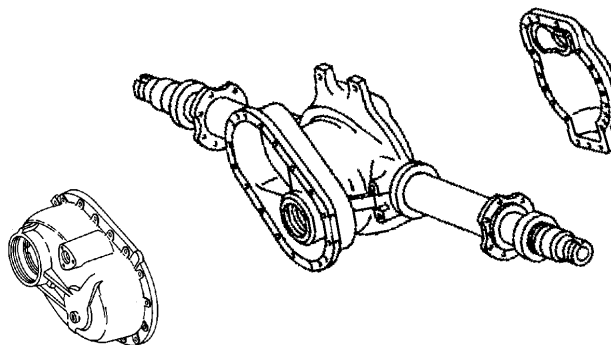
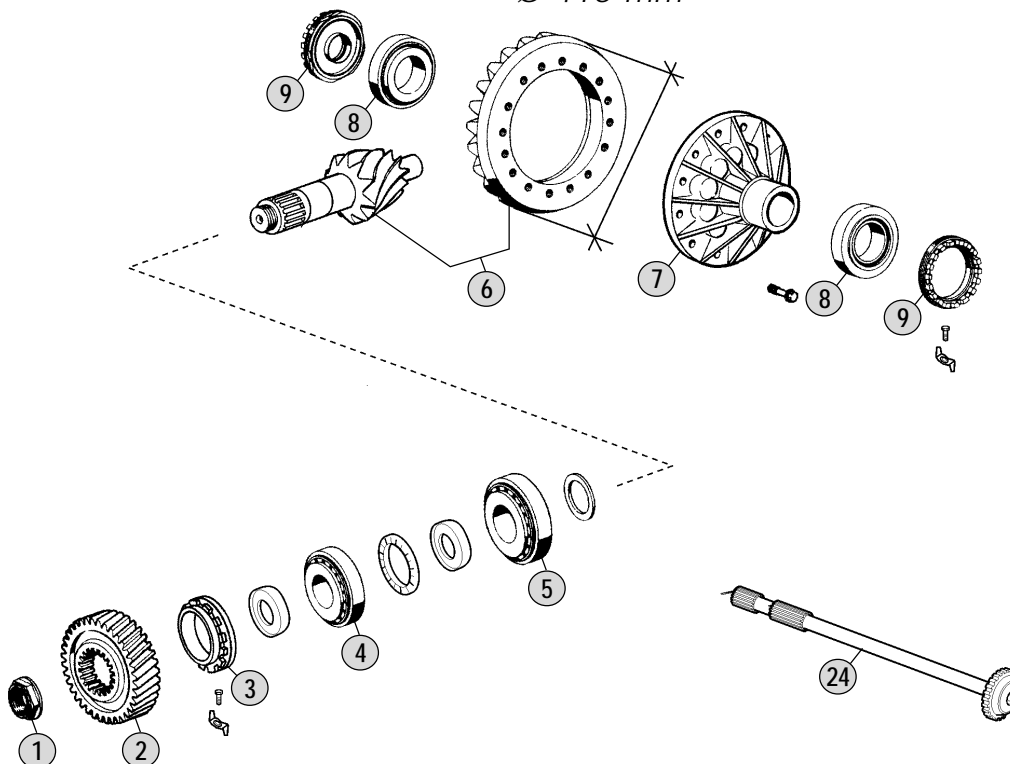
(CH 387.xxx - 389.xxx - 391.xxx

393.xxx - 395.xxx)

MK-SK

(CH 617.xxx - 619.xxx - 651.xxx

652.xxx - 653.xxx - 659.xxx)

Crown Outer Diam.  
Ø 410 mm**Models**

HD4/02 GD-10

**745.700-702-730-732-736-738-739-740**

Fig.	no.	Rif. MB	Description	Q.ty	Note	HD402 GD-10				
1		385 351 0172	Nut M40x1,5	1		●				
2		385 353 0385	Gear 30 T	1		●				
3		615 353 0225	Grooved Nut	1		●				
4		006 981 1705	Roller Bearing 65x165x36,1	1		●				
5		006 981 3505	Roller Bearing 65x165x40	1		●				
6		385 350 4439	Crown & Pinion 7x41 R.=1:5,85	1	(A) 63 Km/h	●				
6		385 350 4239	Crown & Pinion 9x47 R.=1:5,22	1	(A) 70 Km/h	●				
6		385 350 3939	Crown & Pinion 10x43 R.=1:4,30	1	(A) 85 Km/h	●				
6		385 350 4039	Crown & Pinion 12x47 R.=1:3,91	1	(A) 94 Km/h	●				
6		385 350 4639	Crown & Pinion 12x44 R.=1:3,67	1	(B) 100 Km/h	●				
7		385 350 1427	Differential Housing Empty	1	(A)(C) Empty	●				
7		387 350 2123	Differential Housing Assy	1	(A)(C) Assy	●				
7		615 350 3023	Differential Housing Assy	1	(A)(D) Assy	●				
7		615 350 3123	Differential Housing Assy	1	(B)(D) Assy	●				
8		006 981 0005	Roller Bearing 90x140x32	2		●				
9		615 353 0325	Grooved Nut	2		●				
10		617 353 0120	Differential Spider	1	(C)	●				
11		617 353 0114	Side Pinion 11 T	4	(C)	●				
12		385 353 1262	Thrust Washer 29x1,00	4	(C)	●				
13		617 353 0115	Side Gear 20 T-38 Splines	2	(C)	●				
14		385 353 2262	Thrust Washer T.1,45mm	2	(C)	●				
14		385 353 4062	Thrust Washer T.1,50mm	2	(C)	●				
15		385 350 0040	Differential Gear Kit	1	(C)	●				
16		615 353 0120	Differential Spider	1	(D)	●				
17		615 353 0051	Spacer Ring	4	(D)	●				
18		615 981 0186	Needle D.2,50x28,65	160	(D)	●				
19		615 353 0214	Side Pinion 11 T	4	(D)	●				
20		615 353 0262	Thrust Washer T.30x67x2	4	(D)	●				
21		617 353 0115	Side Gear 20 T-38 Splines	1	(D)	●				
22		385 353 2262	Thrust Washer T.1,45mm	2	(D)	●				
22		385 353 4062	Thrust Washer T.1,50mm	2	(D)	●				
23		615 350 0040	Differential Gear Kit	1	(D)	●				
24		385 357 6001	Drive Shaft With Lock	2		●				
24		652 357 0301	Drive Shaft W/Out Lock	2		●				

Intermediate Axle  
with CWP Ø 410Notes

(A - B) Respect the coupling as the assembling wheelbase between the CWP and the differential housing changes.

(C) Old Type without needle bearing

(D) New Type with needle bearing

Date

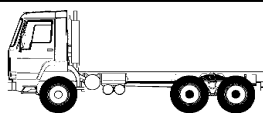
04 / 2011

Table**0490**

Adattabile a : **MERCEDES** HD7/55 DGS-13 - HD7/56 DGS-13  
 Suitable To :

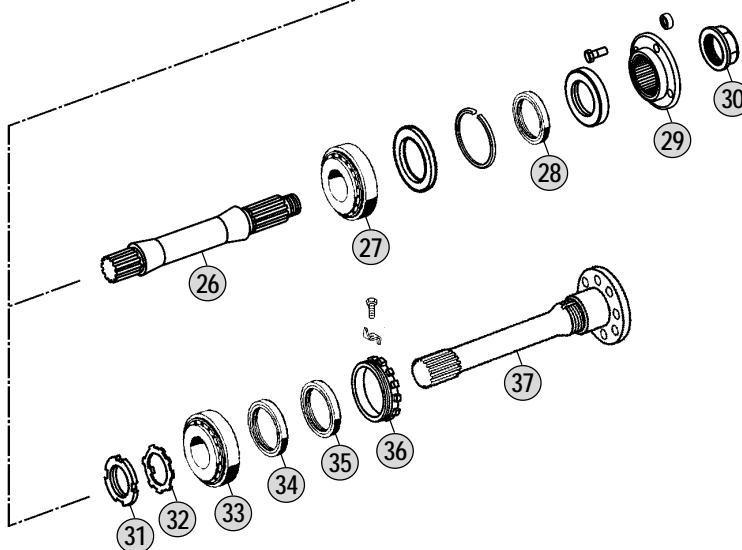
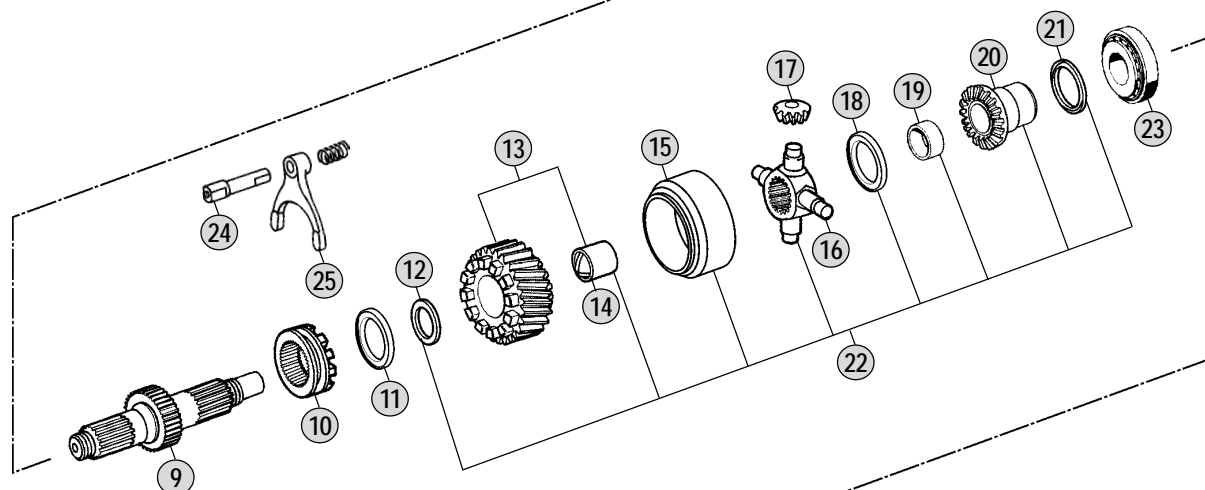
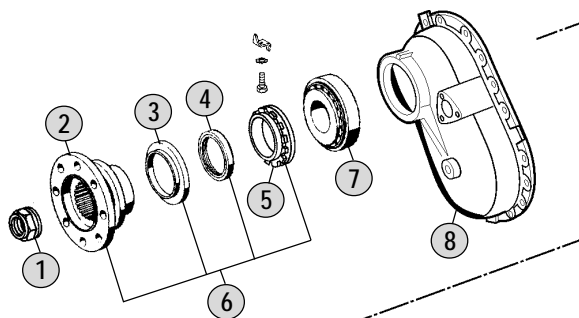
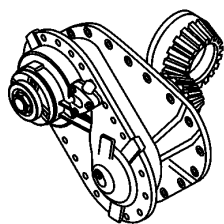
**Models**

MAXI-ATEGO  
 (CH From 930.500 To 950.600)  
 ACTROS MP1  
 (CH From 950.xxx To 954.xxx)  
 ACTROS MP2  
 (CH From 930.xxx To 934.xxx)  
 AXOR  
 (CH From 940.xxx To 944.xxx)

**HD7 + HL7**

Axles with

Ø 233 mm CWP

**Models**

HD7/55 DGS-13 - HD7/56 DGS-13

**748.261-271**

Fig.	no.	Rif. MB	Description	Q.ty	Note	HDT/55/56 DGS-13				
1		946 351 0072	Nut M55x1,5	1		●				
2		942 353 0745	Output Flange	1	Up to Axle 935174	●				
2		942 353 1045	Output Flange	1	From Axle 935175	●				
2		942 353 1145	Output Flange	1	From Axle 935175	●				
3		942 353 0159	Oil Seal 85x120x21	1	Up to Axle 935174	●				
3		014 997 1246	Oil seal	1	From Axle 935175	●				
4		942 351 0188	Tab Washer	1		●				
5		942 353 0425	Grooved Nut	1	Up to Axle 935174	●				
5		942 353 0925	Grooved Nut	1	From Axle 935175	●				
6		942 350 0945	Flange Kit	1	Up to Axle 935174	●				
6		942 350 1445	Flange Kit	1	From Axle 935175	●				
6		942 353 1545	Flange Kit	1	From Axle 935175	●				
7		942 981 0405	Bearing	1		●				
8		944 351 0008	Cover	1		●				
9		942 353 0435	Shaft 31/54/34 T	1		●				
10		942 353 0236	Diff. Locking Sleeve	1		●				
11		942 353 0062	Thrust Washer	1		●				
12		CEI 269129	Thrust Washer	1		●				
13		944 353 0285	Gear 31/14 T (With Bush)	1	With 146.647 (Teeth 31:31)	●				
13		944 353 0185	Gear 32/14 T (With Bush)	1	With 146.648 (Teeth 32:29)	●				
14		000 353 1450	Bush D.75	1		●				
15		CEI 175347	Differential Housing	1		●				
16		CEI 133171	Differential Spider	1		●				
17		CEI 182114	Side Pinion 9 T	4		●				
18		CEI 269128	Thrust Washer	1		●				
19		CEI 117394	Bush	1		●				
20		356 173 0043	Side Gear 14 T-22 Splines	1		●				
21		CEI 117396	Ring	1		●				
22		944 350 0723	Differential Gear Kit	1		●				
23		944 350 0049	Bearing	1		●				
24		948 353 0035	Pin	1		●				
25		942 353 0134	Fork	1		●				
26		944 353 0335	Drive shaft	1		●				
27		944 981 0025	Bearing	1		●				
28		942 353 0159	Oil Seal 85x120x21	1		●				
29		944 353 0245	Output Flange	1		●				
30		946 351 0072	Nut M55x1,5	1		●				
31		674 356 0226	Grooved Nut M60x1,5	1		●				
32		070952 060102	Thrust Washer	1		●				
33		944 981 0025	Bearing	1		●				
34		017 997 3147	Oil Seal Th.2,85(75x95x10) mm	1		●				
35		017 997 3047	Oil Seal 75x95x10	1		●				
36		942 353 0225	Grooved Nut	1		●				
37		944 330 0081	Drive Shaft	1		●				
37		944 353 0235	Drive Shaft L=325mm	1		●				

Notes

Date

04/ 2011

Table

0500

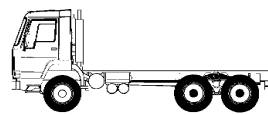
Intermediate Axle  
with CWP Ø 233



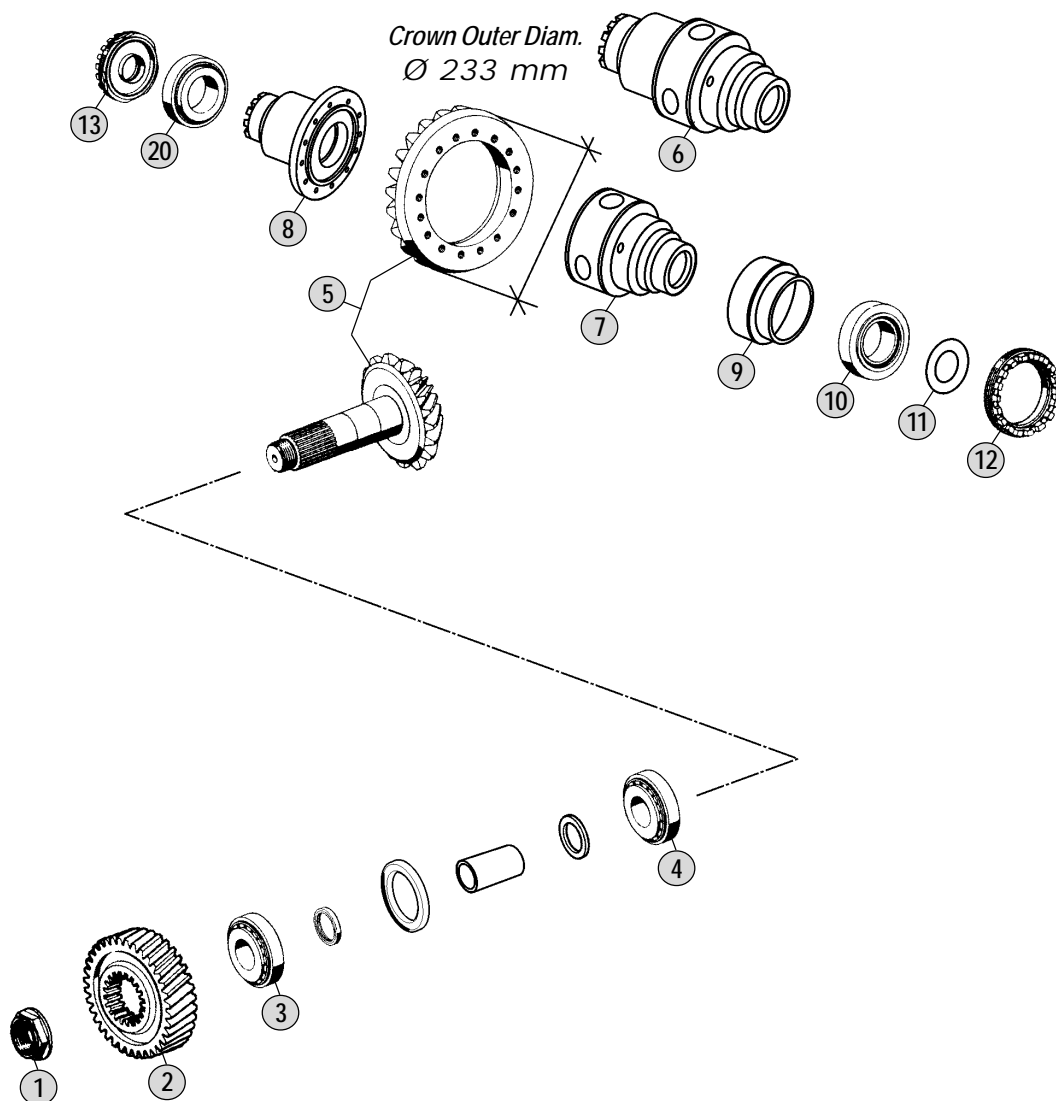
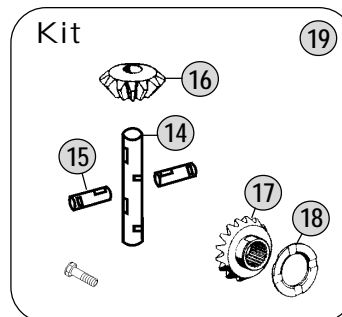
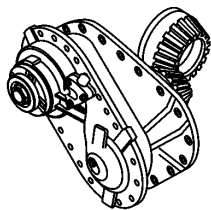
Adattabile a : **MERCEDES** HD7/55 DGS-13 - HD7/56 DGS-13  
 Suitable To :

**Models**

**MAXI-ATEGO**  
 (CH From **930.500** To **950.600**)  
**ACTROS MP1**  
 (CH From **950.xxx** To **954.xxx**)  
**ACTROS MP2**  
 (CH From **930.xxx** To **934.xxx**)  
**AXOR**  
 (CH From **940.xxx** To **944.xxx**)



**HD7 + HL7**  
 Axles with  
 Ø 233 mm CWP

**Models**

HD7/55 DGS-13 - HD7/56 DGS-13

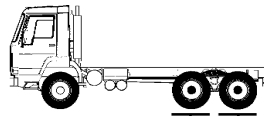
**748.261-271**



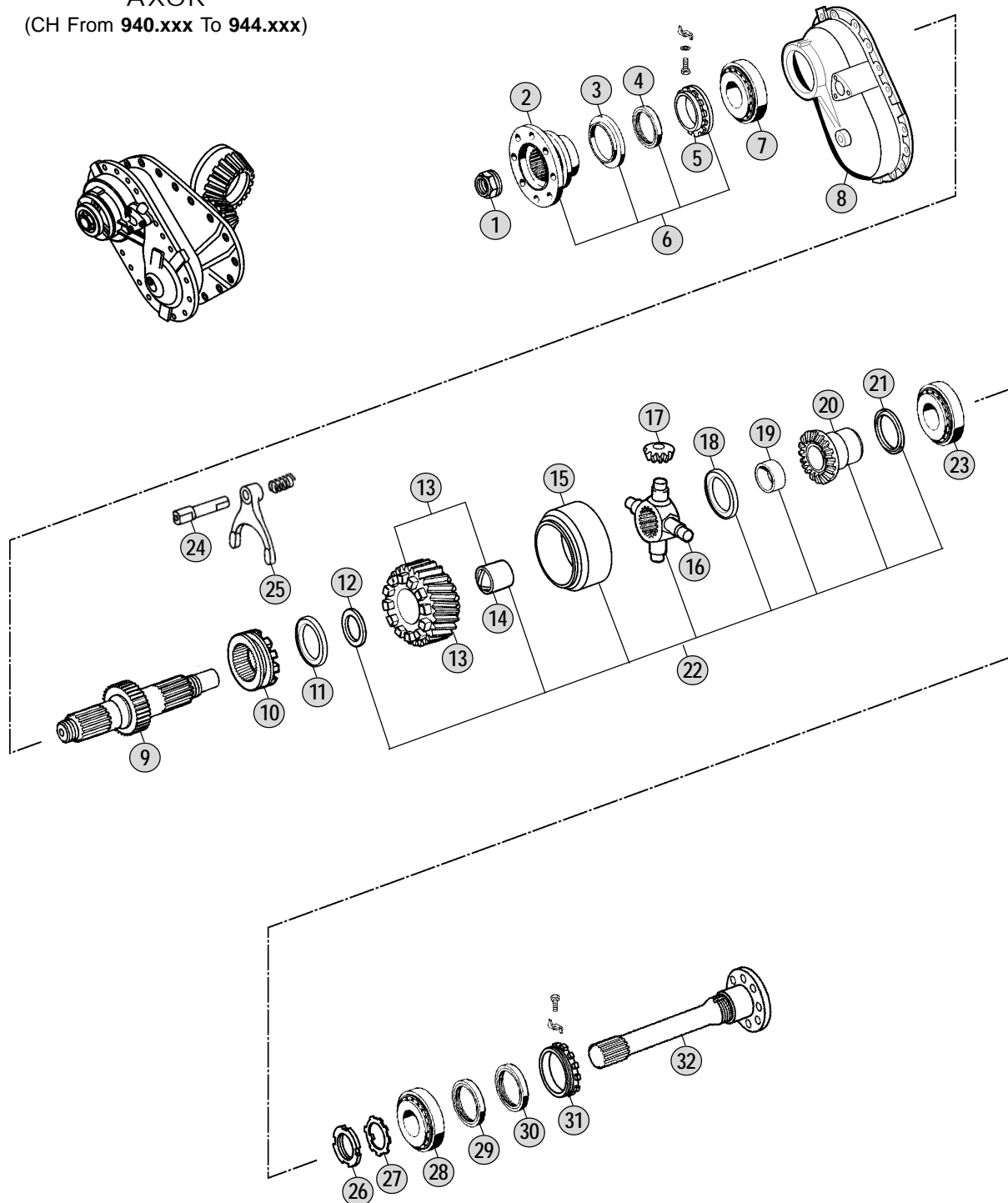
Adattabile a : **MERCEDES** HD7/55 - HD7/56 - HD7/57 - HD7/58  
 Suitable To :

**Models**

MAXI-ATEGO  
 (CH From 930.500 To 950.600)  
 ACTROS MP1  
 (CH From 950.xxx To 954.xxx)  
 ACTROS MP2  
 (CH From 930.xxx To 934.xxx)  
 AXOR  
 (CH From 940.xxx To 944.xxx)

**HD7 + HL7**

Axles with  
 Ø 300 mm CWP

**Models**

HD7/55 - HD7/56 - HD7/57 - HD7/58

740.893-895-897-898 748.263-273-275

Fig.	no.	Rif. MB	Description	Q.ty	Note	HDT/55-56-57-58				
1		946 351 0072	Nut M55x1,5	1		●				
2		942 353 0745	Output Flange	1	Up to Axle 935174	●				
2		942 353 1045	Output Flange	1	From Axle 935175	●				
2		942 353 1245	Output Flange	1	From Axle 935175	●				
3		942 353 0159	Oil Seal 85x120x21	1	Up to Axle 935174	●				
3		014 997 1246	Oil seal	1	From Axle 935175	●				
4		942 351 0188	Tab Washer	1	From Axle 935175	●				
5		942 353 0425	Grooved Nut	1	Up to Axle 935174	●				
5		942 353 0925	Grooved Nut	1	From Axle 935175	●				
6		942 350 0945	Flange Kit	1	Up to Axle 935174	●				
6		942 350 1545	Flange Kit	1	From Axle 935175	●				
6		942 350 1645	Flange Kit	1	From Axle 935175	●				
7		942 981 0405	Bearing	1		●				
8		942 351 0008	Differential Housing	1		●				
8		942 351 0108	Differential Housing	1		●				
9		942 353 0435	Shaft 31/54/34 T	1		●				
10		942 353 0236	Diff. Locking Sleeve	1		●				
11		942 353 0062	Thrust Washer	1		●				
12		CEI 269129	Thrust Washer	1		●				
13		942 353 0285	Gear 37/17 T (With Bush)	1	With 146.646 (Teeth 37:37)	●				
13		942 353 0185	Gear 39/14 T (With Bush)	1	With 245.020 (Teeth 39:35)	●				
14		000 353 1450	Bush D.75	1		●				
15		CEI 175347	Differential Housing	1		●				
16		CEI 133171	Differential Spider	1		●				
17		CEI 182114	Side Pinion 9 T	4		●				
18		CEI 269128	Thrust Washer	1		●				
19		CEI 117394	Bush	1		●				
20		356 173 0055	Side Gear 14 T-26 Splines	1		●				
21		CEI 117396	Ring	1		●				
22		942 350 2223	Differential gear kit	1		●				
23		942 981 0205	Bearing	1		●				
24		948 353 0035	Pin	1		●				
25		942 353 0134	Fork	1		●				
26		674 356 0226	Grooved Nut M60x1,5	1		●				
27		070952 060102	Thrust Washer	1		●				
28		005 981 5925	Bearing 60x110x22	1		●				
29		017 997 3147	Oil Seal Th.2,85(75x95x10) mm	1		●				
30		017 997 3047	Oil Seal 75x95x10	1		●				
31		942 353 0225	Grooved Nut	1		●				
31		942 353 1025	Grooved nut	1		●				
32		942 353 0235	Drive Shaft L=375mm	1		●				

Intermediate Axle  
with CWP Ø 300

Notes

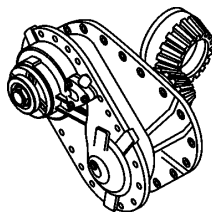
Date

04 / 2011

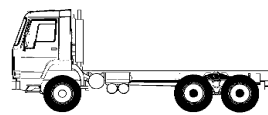
Table

**0520**

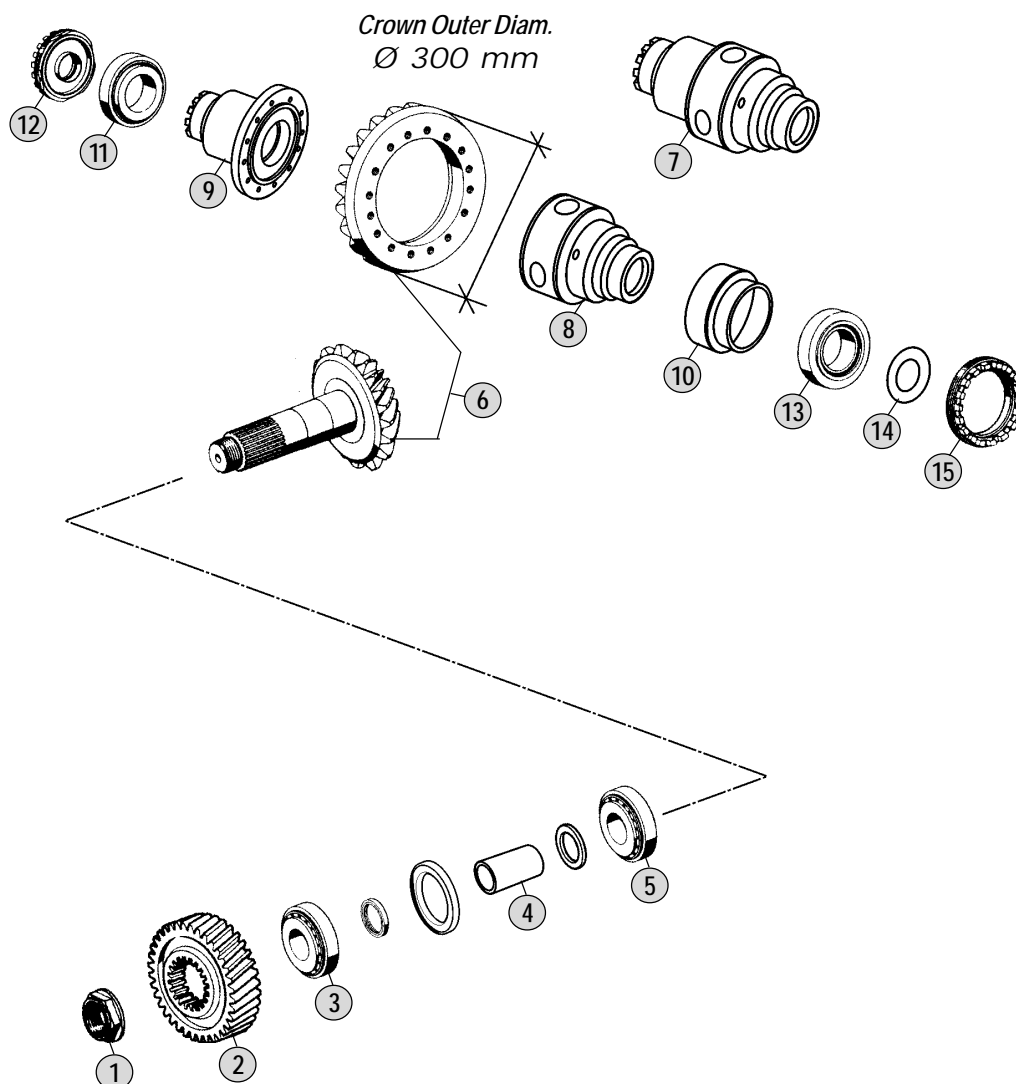
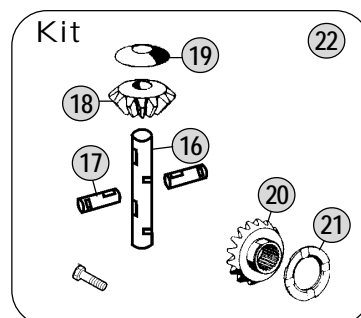
Adattabile a : **MERCEDES** HD7/55 - HD7/56 - HD7/57 - HD7/58  
 Suitable To :



**Models**  
**MAXI-ATEGO**  
 (CH From **930.500** To **950.600**)  
**ACTROS MP1**  
 (CH From **950.xxx** To **954.xxx**)  
**ACTROS MP2**  
 (CH From **930.xxx** To **934.xxx**)  
**AXOR**  
 (CH From **940.xxx** To **944.xxx**)



**HD7 + HL7**  
 Axles with  
 Ø 300 mm CWP



**Models**

HD7/55 - HD7/56 - HD7/57 - HD7/58

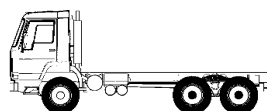
**740.893-895-897-898 748.263-273-275**





Adattabile a : **MERCEDES**

HL7 - HO7



HD7 + HL7

Axles with  
Ø 233 mm CWP**Models**

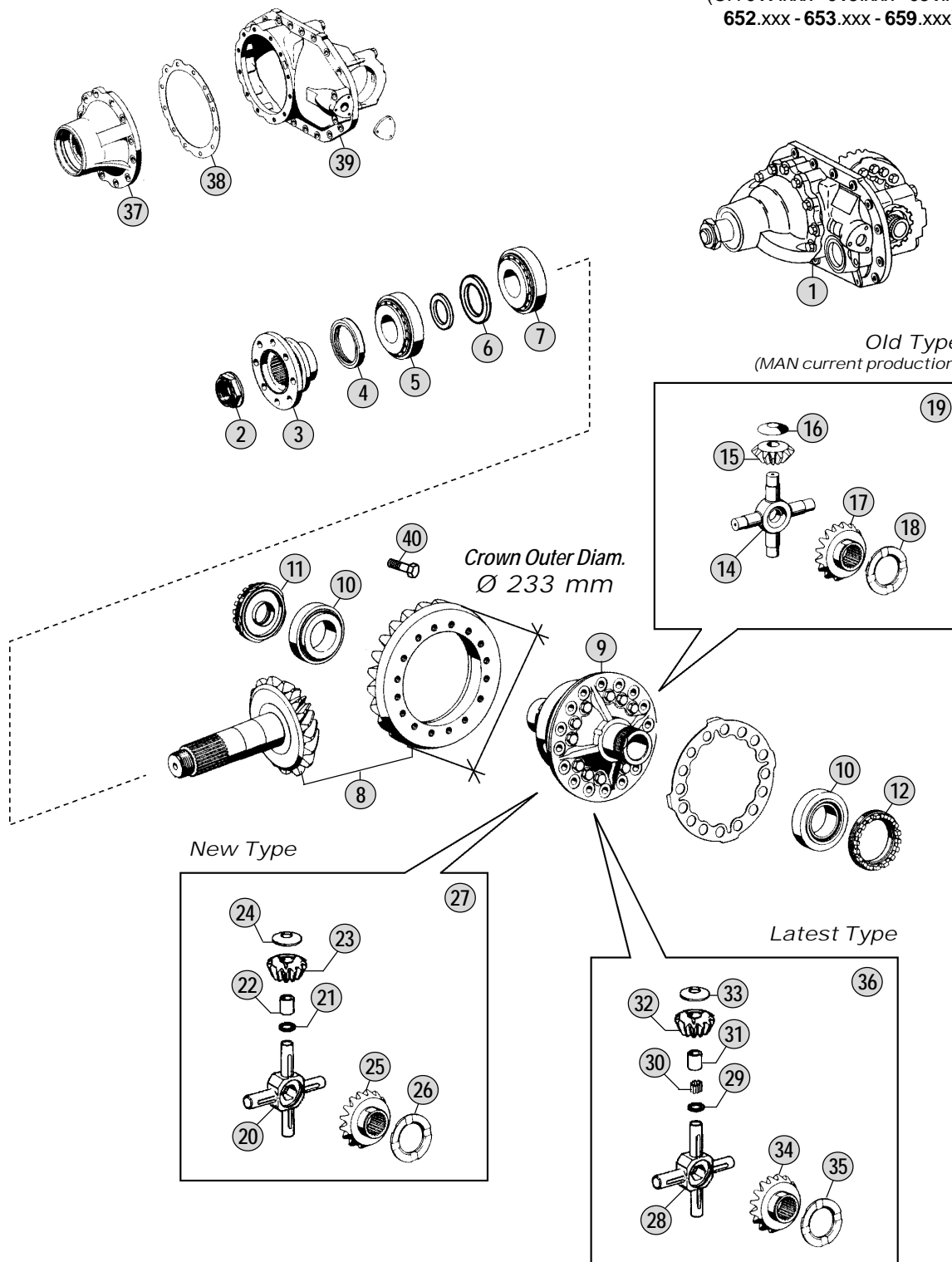
LP-NG

(CH 343.xxx - 346.xxx - 387.xxx - 389.xxx  
391.xxx - 393.xxx - 395.xxx)

LK

(CH From 673.xxx To 677.xxx)

MK-SK

(CH 617.xxx - 619.xxx - 651.xxx  
652.xxx - 653.xxx - 659.xxx)**Models**

HL7/1 - HL7/3 - HL7/4 - HL7/10 - HL7/18 - HL7/24 - HL7/26 - HO7/8DL10

From **740.100** To **740.199** From **740.200** To **740.234** From **748.512** To **748.526**From **740.900** To **740.949**

Fig.	no.	Rif. MB	Description	Q.ty	Note	HL7 - Ho7				
1		387 350 2520	Rear Axle 12x27 R.1:2,25	1	48 Km/h	●				
1		387 350 2820	Rear Axle 15x29 R.1:1,93	1	56 Km/h	●				
1		387 350 3020	Rear Axle 17x29 R.1:1,70	1	64 Km/h	●				
1		387 350 2620	Rear Axle 18x27 R.1:1,70	1	67 Km/h	●				
1		305 350 9520	Rear Axle 27x37 R.1:1,37	1	79 Km/h	●				
1		387 350 2720	Rear Axle 21x28 R.1:1,33	1	81 Km/h	●				
1		381 350 0920	Rear Axle 19x25 R.1:1,32	1	82 Km/h	●				
1		387 350 3120	Rear Axle 24x29 R.1:1,21	1	90 Km/h	●				
1		387 350 9920	Rear Axle 25x29 R.1:1,16	1	93 Km/h	●				
1		389 350 2620	Rear Axle 24x26 R.1:1,08	1	100 Km/h	●				
2		385 351 0672	Nut M45x1,5	1		●				
3		305 353 0345	Output Flange D.150	1		●				
3		355 353 2245	Output Flange D.150 mm	1		●				
3		355 353 1445	Output Flange D.165 mm	1		●				
3		355 353 2445	Output Flange D.180 mm	1		●				
3		355 353 1245	Output Flange D.180 mm	1		●				
4		020 997 0647	Oil seal 72x105x13	1		●				
5		005 981 4605	Bearing 54,5x104,7x36,5	1		●				
6		355 353 0129	Oil deflector	1		●				
7		003 981 7005	Bearing 65x140x51	1		●				
8		944 350 2139	Crown & pinion 12x27 R.=1:2,25	1	(A) 48 Km/h	●				
8		357 350 1339	Crown & pinion 15x29 R.=1:1,93	1	(A) 56 Km/h	●				
8		355 350 4639	Crown & pinion 17x29 R.=1:1,71	1	(A) 64 Km/h	●				
8		371 350 0039	Crown & pinion 18x27 R.=1:1,50	1	(A) 67 Km/h	●				
8		371 350 0139	Crown & pinion 27x37 R.=1:1,37	1	(A) 79 Km/h	●				
8		944 350 1839	Crown & pinion 21x28 R.=1:1,33	1	(A) 81 Km/h	●				
8		944 350 1239	Crown & pinion 19x25 R.=1:1,32	1	(A) 82 Km/h	●				
8		944 350 0439	Crown & pinion 24x29 R.=1:1,21	1	(A) 90 Km/h	●				
8		357 350 1639	Crown & pinion 25x29 R.=1:1,16	1	(A) 93 Km/h	●				
8		355 350 5439	Crown & Pinion 24x26 R.=1:1,08	1	(B) 100 Km/h	●				
9		355 350 0227	Differential Housing Empty	1	(A) Old/New Type	●				
9		CEI 199095	Differential Housing Empty	1	(A) Latest Type	●				
9		CEI 199321	Differential Housing Empty	1	(B) Latest Type	●				
9		387 350 1323	Differential Housing Assy	1	(A) New Type	●				
9		387 350 5923	Differential Housing Assy	1	(A) Latest Type	●				
9		387 350 6023	Differential Housing Assy	1	(B) Latest Type	●				
10		003 981 4105	Bearing 65x110x34	2		●				
11		944 350 0243	Grooved Nut	1		●				
12		371 353 0025	Adjusting Ring	1		●				
14		308 353 0020	Differential Spider	1	Old Type	●				
15		494 335 0214	Side Pinion 10 T	4	Old Type	●				
16		494 335 0075	Thrust Washer	4	Old Type	●				
17		355 353 0315	Side Gear 16 T-34 Splines	2	Old Type	●				
18		355 353 0562	Thrust Washer (Bronze)	2		●				
18		308 353 0062	Thrust Washer (Steel)	2		●				

Notes

(A - B) To be coupled together  
(C - D) To be coupled together

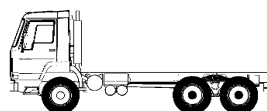
Date

04 / 2011

Table**0540**Rear Axle  
with CWP Ø 233

Adattabile a : **MERCEDES**

HL7 - HO7



HD7 + HL7

Axles with  
Ø 233 mm CWP**Models**

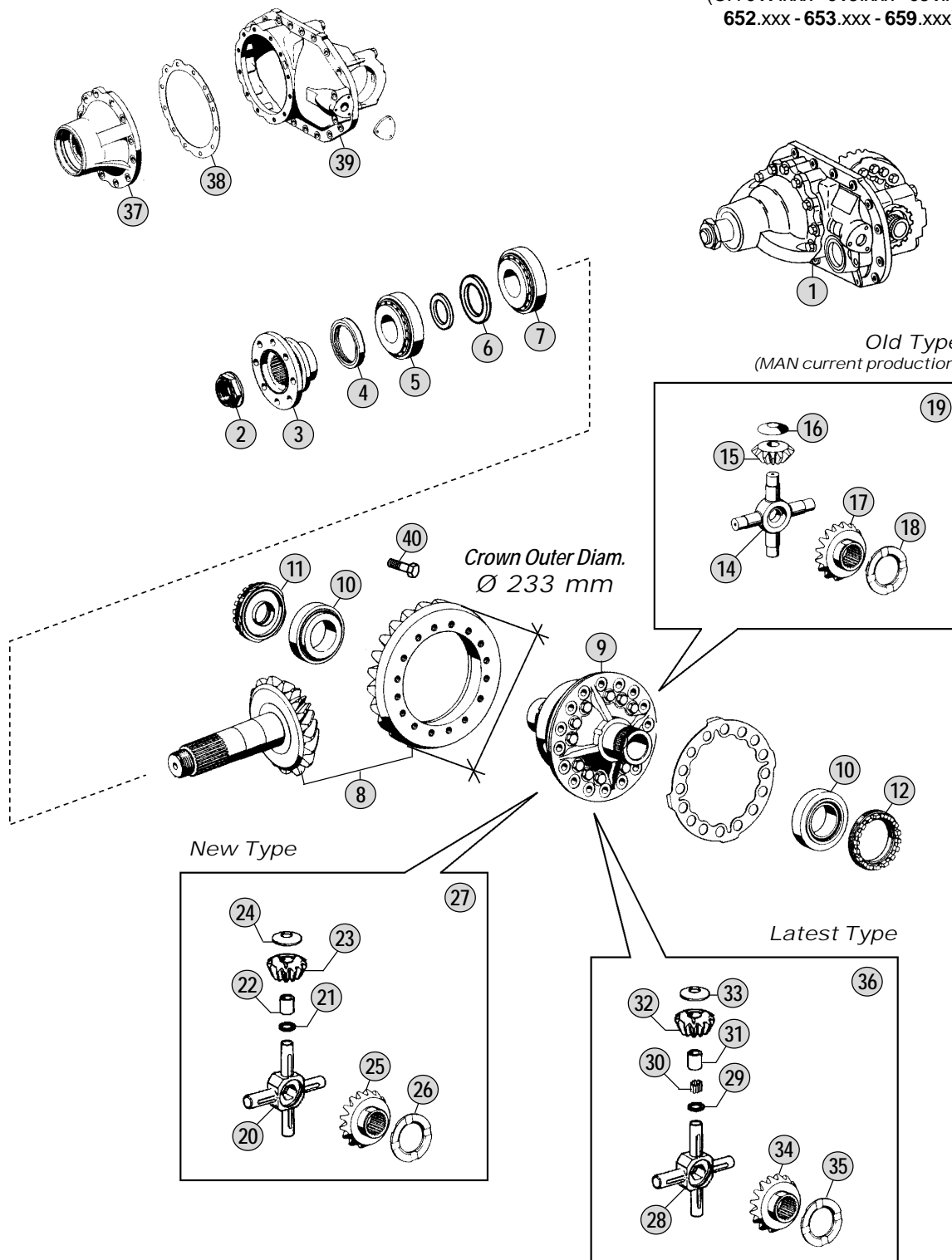
LP-NG

(CH 343.xxx - 346.xxx - 387.xxx - 389.xxx  
391.xxx - 393.xxx - 395.xxx)

LK

(CH From 673.xxx To 677.xxx)

MK-SK

(CH 617.xxx - 619.xxx - 651.xxx  
652.xxx - 653.xxx - 659.xxx)**Models**

HL7/1 - HL7/3 - HL7/4 - HL7/10 - HL7/18 - HL7/24 - HL7/26 - HO7/8DL10

From **740.100** To **740.199** From **740.200** To **740.234** From **748.512** To **748.526**From **740.900** To **740.949**

Fig.	no.	Rif. MB	Description	Q.ty	Note	HL7 - Ho7				
19		CEI 198859	Differential Gear Kit	1	Old Type	●				
20		355 353 0620	Differential Spider	1	New Type	●				
21		355 353 6051	Spacer Ring	4	New Type	●				
22		355 353 0750	Bush 22x26x24,5	4	New Type	●				
23		494 335 0214	Side Pinion 10 T	4	(C) New Type	●				
23		355 353 0614	Side Pinion 10 T	4	(D) New Type	●				
24		494 335 0075	Thrust Washer	4	New Type	●				
25		355 353 0315	Side Gear 16 T-34 Splines	2	(C) New Type	●				
25		355 353 0815	Side Gear 16 T-34 Splines	2	(D) New Type	●				
26		355 353 0562	Thrust Washer (Bronze)	2		●				
26		308 353 0062	Thrust Washer (Steel)	2		●				
27		393 586 0035	Differential Gear Kit	1	(C) New Type	●				
27		393 350 0040	Differential Gear Kit	1	(D) New Type	●				
28		395 353 0320	Differential Spider	1	Latest Type	●				
29		395 353 0551	Spacer	4	Latest Type	●				
30		395 981 0287	Needle Kit (156 Pcs)	1	Latest Type	●				
31		395 353 0351	Bush	4	Latest Type	●				
32		395 353 0114	Side Pinion 10 T	4	Latest Type	●				
33		395 353 0277	Thrust Washer	4	Latest Type	●				
34		355 353 0615	Side Gear 14 T-34 Splines	2	Latest Type	●				
35		355 353 0562	Thrust Washer (Bronze)	2		●				
35		308 353 0062	Thrust Washer (Steel)	2		●				
36		395 350 0040	Differential Gear Kit	1	Latest Type	●				
37		355 353 0807	Cover	1		●				
38		355 353 0152	Shim Sp.0,10 mm	1	(A)	●				
38		355 353 0552	Shim Sp.0,50 mm	1	(A)	●				
38		355 353 0652	Shim Sp.1,00 mm	1	(A)	●				
38		355 353 1052	Shim Sp.0,15 mm	1	(B)	●				
38		355 353 1252	Shim Sp.0,35 mm	1	(B)	●				
38		355 353 1352	Shim Sp.0,50 mm	1	(B)	●				
38		355 353 1452	Shim Sp.1,00 mm	1	(B)	●				
39		387 350 0020	Differential Support	1	(A)	●				
39		389 350 2520	Differential Support	1	(B)	●				
40		383 990 0701	Screw M12x1 (Cwp to Housing)	16		●				

Notes

(A - B) To be coupled together  
(C - D) To be coupled together

Date

04 / 2011

Table

**0540**Rear Axle  
with CWP Ø 233

Adattabile a : **MERCEDES**

HL7/07 - 010 - 013 - 015 - 021

**Models**

LP-NG

(CH 343.xxx - 346.xxx - 387.xxx  
389.xxx - 391.xxx - 393.xxx - 395.xxx)

LK

(CH From 673.xxx To 677.xxx)

MK-SK

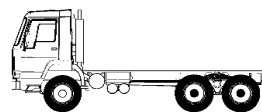
(CH 617.xxx - 619.xxx - 651.xxx  
652.xxx - 653.xxx - 659.xxx)

ACTROS MP1

(CH From 950.xxx To 954.xxx)

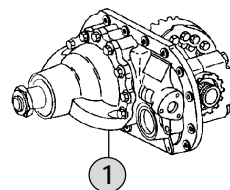
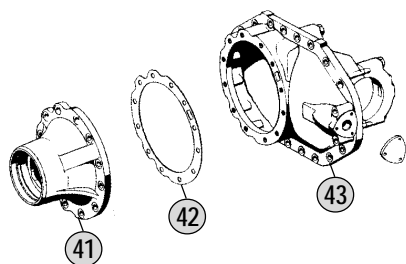
MAXI-ATEGO

(CH From 930.500 To 950.600)



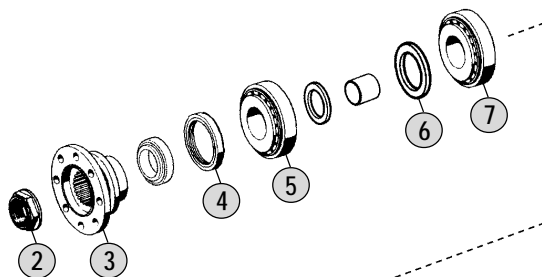
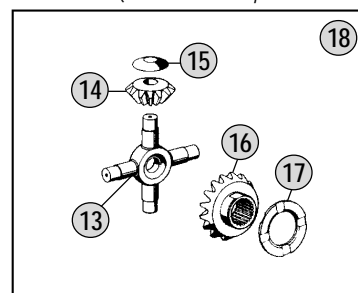
**HD7 + HL7**

Axles with  
Ø 300 mm CWP

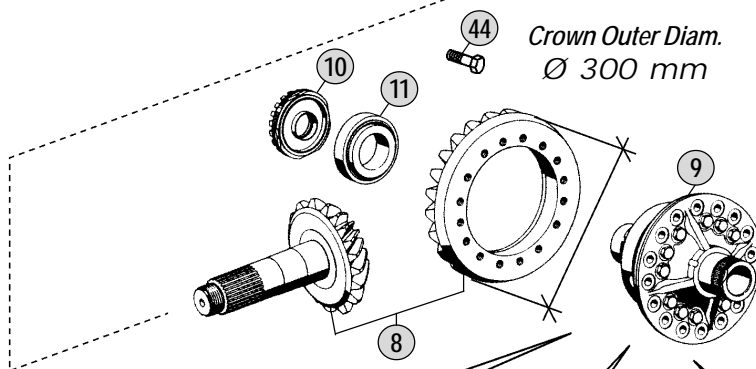


*Old Type*

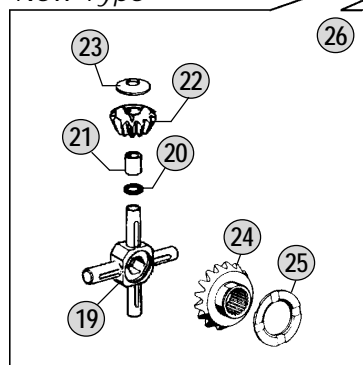
(MAN current production)



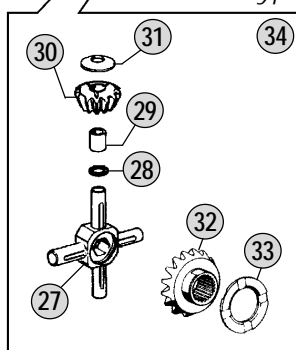
Crown Outer Diam.  
Ø 300 mm



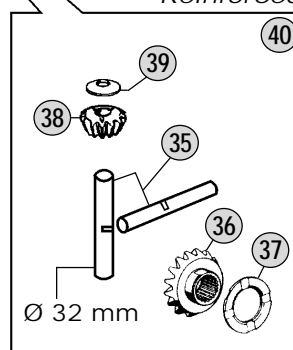
*New Type*



*Latest Type*



*Latest Reinforced*



**Models**

HL7/07 - HL7/010 - HL7/013 - HL7/015 - HL7/021

From **740.300 To 740.399** From **740.950 To 740.999** From **748.400 To 748.459**

Fig.	no.	Rif. MB	Description	Q.ty	Note	HL7 / 07				
1		307 350 4020	Central Gear 11x31 R.1:2,82	1	38 Km/h	●				
1		346 350 9803	Central Gear 12x27 R.1:2,25	1	48 Km/h	●				
1		346 350 7120	Central Gear 15x29 R.1:1,93	1	56 Km/h	●				
1		346 350 7220	Central Gear 17x29 R.1:1,70	1	64 Km/h	●				
1		346 350 9903	Central Gear 18x27 R.1:1,70	1	72 Km/h	●				
1		346 350 7020	Central Gear 21x28 R.1:1,33	1	81 Km/h	●				
1		397 350 0120	Central Gear 24x29 R.1:1,20	1	90 Km/h	●				
1		393 350 7720	Central Gear 25x29 R.1:1,16	1	93 Km/h	●				
1		655 350 7820	Central Gear 24x26 R.1:1,08	1	100 Km/h	●				
2		946 351 0072	Nut M5x1,5	1		●				
3		942 350 0245	Output Flange D.150 mm	1		●				
3		346 350 0445	Output Flange D.165 mm	1		●				
3		346 350 0645	Output Flange D.165 mm	1		●				
3		942 350 0145	Output Flange D.165 mm	1		●				
3		346 350 0545	Output Flange D.180 mm	1		●				
3		346 350 0845	Output Flange D.180 mm	1		●				
3		346 350 1245	Output Flange D.180 mm	1		●				
3		942 350 0045	Output Flange D.180 mm	1		●				
3		346 350 0945	Output Flange D.255 mm	1		●				
4		015 997 4747	Oil seal 85x105x13	1		●				
5		002 981 4505	Bearing 65x140x36	1		●				
6		346 353 1429	Thrust Washer 85x120	1		●				
7		003 981 3105	Bearing 70x150x38	1		●				
8		307 350 0139	Crown & Pinion 11x31 R.=1:2,82	1	(A)	●				
8		346 350 6239	Crown & Pinion 12x27 R.=1:2,25	1	(A)	●				
8		346 350 6039	Crown & Pinion 15x29 R.=1:1,93	1	(A)	●				
8		346 350 5639	Crown & Pinion 17x29 R.=1:1,71	1	(A)	●				
8		346 350 1739	Crown & Pinion 18x27 R.=1:1,50	1	(A)	●				
8		346 350 1939	Crown & Pinion 21x28 R.=1:1,33	1	(A)	●				
8		346 350 8039	Crown & Pinion 24x29 R.=1:1,21	1	(B)	●				
8		346 350 7839	Crown & Pinion 25x29 R.=1:1,16	1	(B)	●				
8		346 350 7639	Crown & Pinion 24x26 R.=1:1,08	1	(C)(1)	●				
9		346 350 0427	Differential Housing Empty	1	(A)	●				
9		346 350 8123	Differential Housing Assy	1	(A)	●				
9		346 350 1127	Differential Housing Empty	1	(B)	●				
9		CEI 199275	Differential Housing Empty	1	(B) Reinforced	●				
9		346 350 8223	Differential Housing Assy	1	(B)	●				
9		942 350 1823	Differential Housing Assy	1	(B) Reinforced	●				
9		346 350 2127	Differential Housing Empty	1	(C)(1)	●				
9		CEI 199276	Differential Housing Empty	1	(C) Reinforced	●				
9		393 350 2623	Differential Housing Assy	1	(C)(1)	●				
9		942 350 1923	Differential Housing Assy	1	(C) Reinforced	●				
10		346 350 0443	Grooved Nut	1		●				
11		003 981 3205	Bearing	2		●				
12		652 353 0025	Grooved Nut	1		●				

**Notes**

- (A-B-C) Respect the coupling as the assembling wheelbase between the CWP and the differential housing changes.
- (1) Bevel Gear 24x26 R.=1:1,08 **MUST** be assembled only on Axles with SAME RATIO.
- (2) Old Style Toothing. Use items marked (2) together
- (3) New Style Toothing. Use items marked (3) together

**Date**

04 / 2011

**Table****0550**Rear Axle  
with CWP Ø 300



Adattabile a : **MERCEDES**

HL7/07 - 010 - 013 - 015 - 021

**Models**

LP-NG

(CH 343.xxx - 346.xxx - 387.xxx  
389.xxx - 391.xxx - 393.xxx - 395.xxx)

LK

(CH From 673.xxx To 677.xxx)

MK-SK

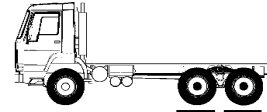
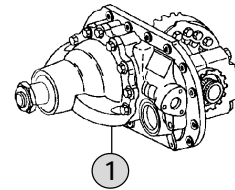
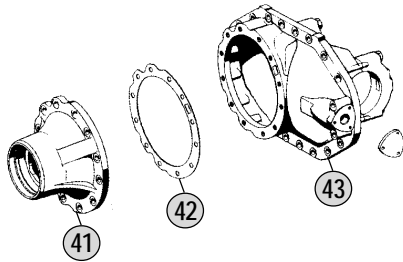
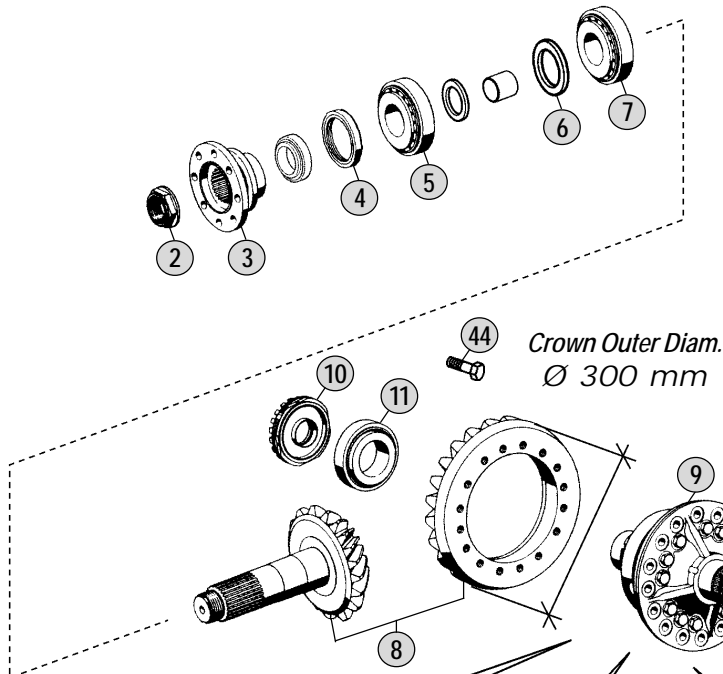
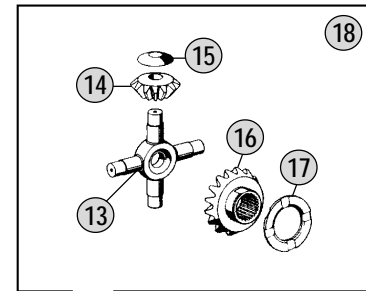
(CH 617.xxx - 619.xxx - 651.xxx  
652.xxx - 653.xxx - 659.xxx)

ACTROS MP1

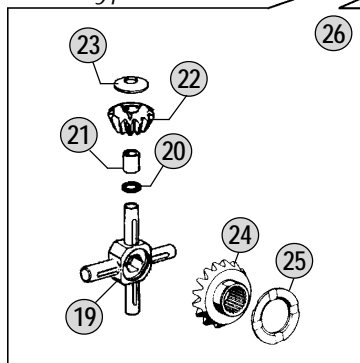
(CH From 950.xxx To 954.xxx)

MAXI-ATEGO

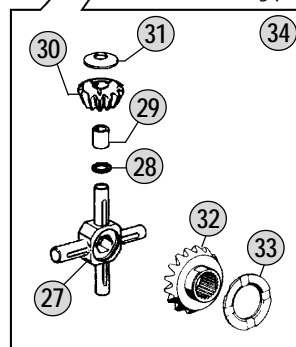
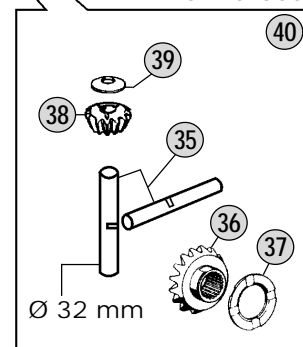
(CH From 930.500 To 950.600)

**HD7 + HL7**Axles with  
Ø 300 mm CWPOld Type  
(MAN current production)

New Type



Latest Type

Latest  
Reinforced**Models**

HL7/07 - HL7/010 - HL7/013 - HL7/015 - HL7/021

From **740.300 To 740.399** From **740.950 To 740.999** From **748.400 To 748.459**

Fig.	no.	Rif. MB	Description	Q.ty	Note	HL7 / Ø7				
13		346 350 0228	Differential Spider	1	Old Type	●				
14		366 353 0414	Side Pinion 11 T	4 (2)	Old Type	●				
14		CEI 182080	Side Pinion 11 T	4 (3)	Old Type	●				
15		346 353 0124	Thrust Washer	4	Old Type	●				
16		346 353 0315	Side Gear 16 T-40 Splines	2 (2)	Old Type	●				
16		346 353 0815	Side Gear 16 T-40 Splines	2 (3)	Old Type	●				
17		346 353 2262	Thrust Washer	2	Old Type	●				
18		CEI 198915	Differential Gear Kit	1 (3)	Old Type	●				
19		346 353 0420	Differential Spider	1	New Type	●				
20		346 353 3251	Spacer	4	New Type	●				
21		346 353 0950	Bush 28x32x35	4	New Type	●				
22		346 353 0614	Side Pinion 11 T	4	New Type	●				
23		346 353 0124	Thrust Washer	4	New Type	●				
24		346 353 0315	Side Gear 16 T-40 Splines	2	New Type	●				
25		346 353 2262	Thrust Washer	2	New Type	●				
26		387 586 0035	Differential Gear kit	1	New Type	●				
27		346 353 0420	Differential Spider	1	Latest Type	●				
28		346 353 3251	Spacer	4	Latest Type	●				
29		346 353 0950	Bush 28x32x35	4	Latest Type	●				
30		346 353 1014	Side Pinion 11 T	4	Latest Type	●				
31		346 353 0124	Thrust Washer	4	Latest Type	●				
32		346 353 0815	Side Gear 16 T-40 Splines	2	Latest Type	●				
33		346 353 2262	Thrust Washer	2	Latest Type	●				
34		387 350 0040	Differential Gear kit	1	Latest Type	●				
35		CEI 107227	Pin	2	Reinforced	●				
36		346 353 0815	Side Gear 16 T-40 Splines	2		●				
37		CEI 269133	Washer	2	Reinforced	●				
38		346 353 1014	Side Pinion 11 T	4	Reinforced	●				
39		CEI 269182	Washer	4	Reinforced	●				
40		CEI 298168	Differential gear kit	1	Reinforced	●				
41		346 353 0807	Cover	1 (AB)		●				
41		346 353 0907	Cover	1 (C)		●				
42		346 353 0952	Shim Sp.0,10 mm	1 (AB)		●				
42		346 353 1352	Shim Sp.0,50 mm	1 (AB)		●				
42		346 353 1452	Shim Sp.1,00 mm	1 (AB)		●				
42		346 353 1852	Shim Sp.0,10 mm	1 (C)		●				
42		346 353 2252	Shim Sp.0,50 mm	1 (C)		●				
42		346 353 1429	Thrust Washer 85x120	1 (C)		●				
43		395 350 8720	Differential support	1 (AB)		●				
43		942 350 0703	Differential support	1 (C)		●				
44		346 990 3101	Screw M14x1 (Cwp to Housing)	16		●				

**Notes**

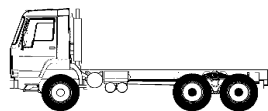
- (A-B-C) Respect the coupling as the assembling wheelbase between the CWP and the differential housing changes.
- (1) Bevel Gear 24x26 R.=1:1,08 **MUST** be assembled only on Axles with SAME RATIO.
- (2) Old Style Toothing. Use items marked (2) together
- (3) New Style Toothing. Use items marked (3) together

**Date**

04 / 2011

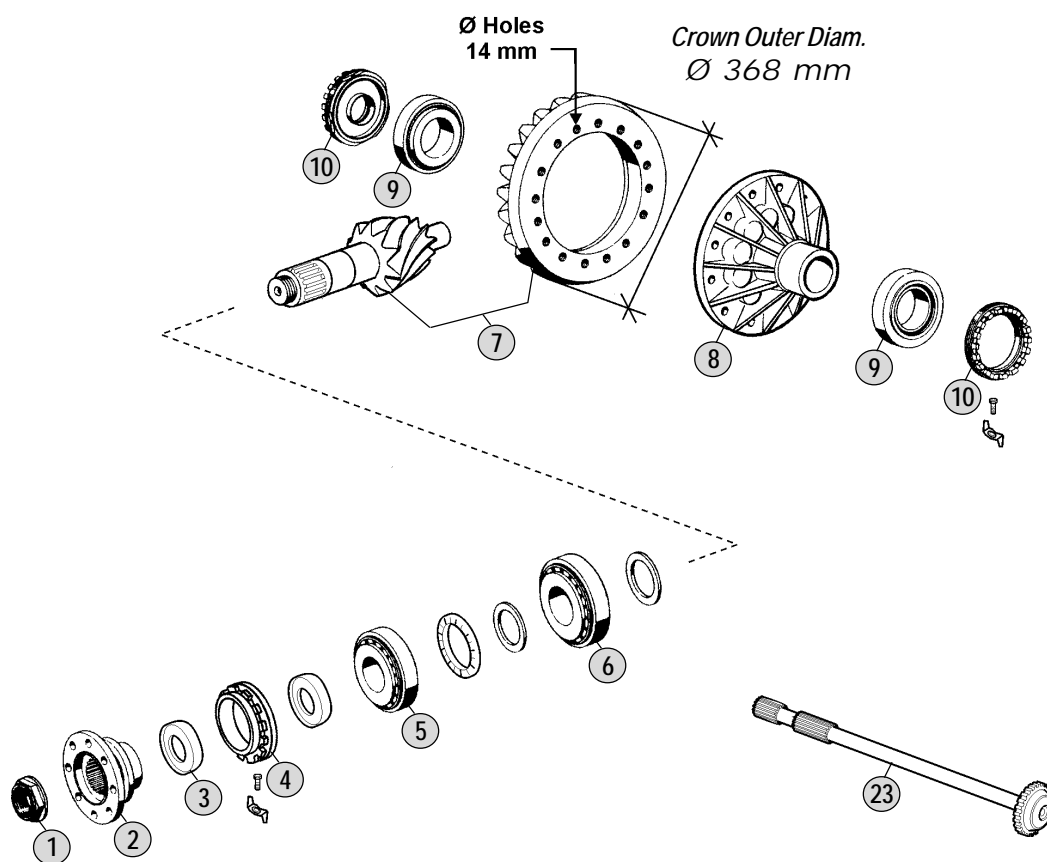
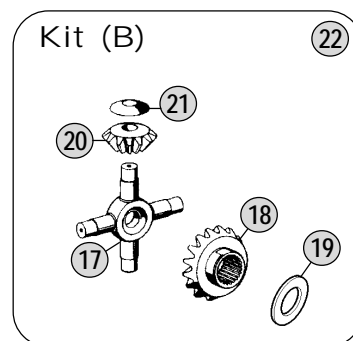
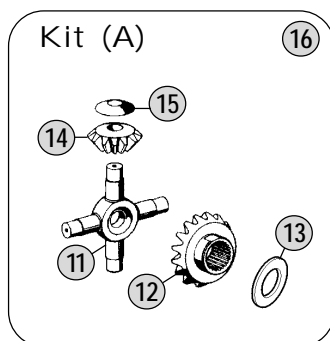
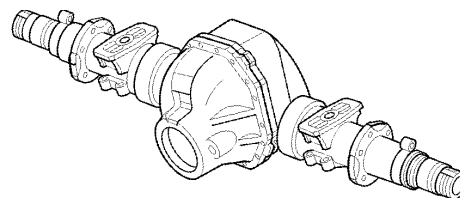
**Table****0550**Rear Axle  
with CWP Ø 300

Adattabile a : **MERCEDES**  
 Suitable To :



**HL4 + HL4**  
 Axles with  
 Ø 368 mm CWP

**Models**  
 LP-NG  
 (CH 387.xxx - 389.xxx - 391.xxx  
 393.xxx - 395.xxx)  
 MK-SK  
 (CH 617.xxx - 619.xxx - 651.xxx  
 652.xxx - 653.xxx - 659.xxx)



**Models**

HL4/1-7,6 - HL4/4-8,8 - HL4/16-7,7 - HL4/23-7,7 - HL4/8-10 - HL4/17-9,2 - HH4/19D10  
 HO4/10DL10 - HL4/28D7,8 - HL4/30D6,4 - HL4/29D9,2 - HL4/31DS7,0 - HL4/32D10,6

From 744.900 To 744.999; From 744.700 To 744.735; From 744.400 To 744.450

From 744.500 To 744.532; From 744.300 To 744.352; From 744.600 To 744.632

Fig.	no.	Rif. MB	Description	Q.ty	Note	HL4 Ø 368 mm			
1		385 351 0172	Nut M40x1,5	1		●			
2		360 350 0045	Output Flange D.130 mm	1		●			
2		358 350 0045	Output Flange D.120 mm	1		●			
2		360 350 0645	Output Flange D.150 mm	1		●			
3		016 981 6847	Oil Seal	1		●			
4		327 353 1025	Grooved Nut	1		●			
5		002 981 1105	Bearing 60x135x35	1		●			
6		012 981 8505	Bearing	1		●			
7		616 350 0139	Crown & pinion 7x48 R.=1:6,86	1	56 Km/h	●			
7		301 350 0739	Crown & pinion 7x43 R.=1:6,14	1	62 Km/h	●			
7		301 350 0639	Crown & pinion 7x40 R.=1:5,71	1	67 Km/h	●			
7		383 350 0739	Crown & Pinion 8x42 R.=1:5,25	1	73 Km/h	●			
7		301 350 1339	Crown & pinion 8x39 R.=1:4,88	1	79 Km/h	●			
7		301 350 0839	Crown & pinion 10x43 R.=1:4,30	1	89 Km/h	●			
7		676 350 0239	Crown & Pinion 12x46 R.=1:3,83	1	100 Km/h	●			
8		322 350 0927	Differential Housing Empty	1	(AB)(X#) Empty	●			
8		383 350 2323	Differential Housing Assy	1	(A)	●			
8		383 350 2123	Differential Housing Assy	1	(B)	●			
9		002 981 1605	Bearing	2		●			
10		321 353 0025	Grooved Nut	2		●			
11		383 353 0120	Differential Spider	1	(A)(XY)	●			
12		358 353 0015	Side Gear 18 T-38 Splines	2	(A)(X)	●			
12		675 353 0215	Side Gear 16 T-38 Splines	2	(A)(Y)	●			
13		674 353 0362	Thrust Washer	2	(A)(X)	●			
13		676 353 0162	Thrust Washer	2	(A)(Y)	●			
14		302 353 0014	Side Pinion 10 T	4	(A)(X)	●			
14		675 353 0014	Side Pinion 9 T	4	(A)(Y)	●			
15		352 353 0024	Thrust Washer	4	(A)(XY)	●			
16		381 586 0135	Differential gear kit	1	(A)(X)	●			
16		675 350 0040	Differential Kit	1	(A)(Y)	●			
17		383 353 0120	Differential Spider	1	(B)(#@)	●			
18		302 353 0015	Side Gear 18 T-24 Spines	2	(B)(#)	●			
18		675 353 0115	Side Gear	2	(B)(@)	●			
19		674 353 0362	Thrust Washer	2	(B)(#)	●			
19		676 353 0162	Thrust Washer	2	(B)(@)	●			
20		302 353 0014	Side Pinion 10 T	4	(B)(#)	●			
20		675 353 0014	Side Pinion 9 T	4	(B)(@)	●			
21		352 353 0024	Thrust Washer	4	(B)(#@)	●			
22		358 586 0035	Differential Kit	1	(B)(#)	●			
22		675 350 0140	Differential Gear Kit	1	(B)(@)	●			
23		301 357 0301	Drive Shaft	2	(A)	●			
23		322 357 2601	Drive Shaft L=973 mm	2	(A)	●			
23		383 357 0501	Drive Shaft	2	(B)	●			
23		383 357 0601	Drive Shaft	2	(B)	●			
23		385 357 0501	Drive Shaft	2	(B)	●			

## Notes

(A) Version with 38 splines  
 (X) Old Generation  
 (#) Old Generation

(B) Version with 40 splines  
 (Y) New Generation  
 (@) New Generation

## Date

04 / 2011

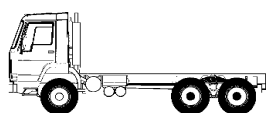
## Table

0560

Rear Axle  
with CWP Ø 368

Adattabile a : **MERCEDES**

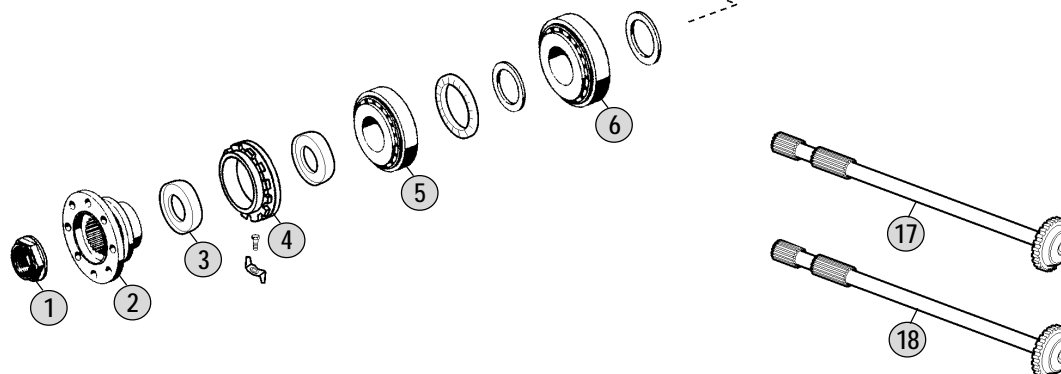
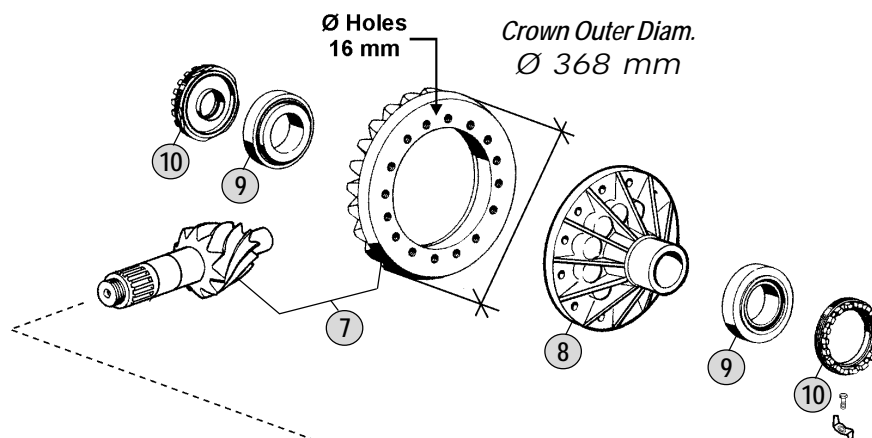
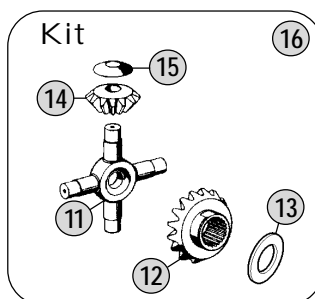
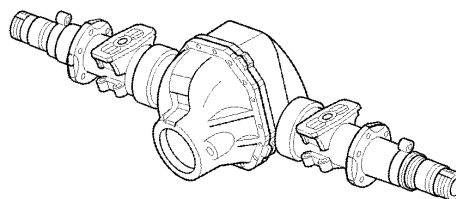
HD4 / 22

**HD4 + HD4**Axles with  
Ø 368 mm CWP**Models**

LP-NG

(CH 387.xxx - 389.xxx - 391.xxx  
393.xxx - 395.xxx)

MK-SK

(CH 617.xxx - 619.xxx - 651.xxx  
652.xxx - 653.xxx - 659.xxx)**Models**

HD4 / 22

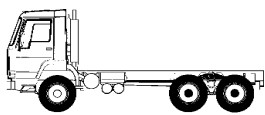
From **744.804** To **744.877**





Adattabile a : **MERCEDES**  
 Suitable To :

Ponte Posteriore / Rear Axle  
 HD4 - HH4 - HL4 - HO4



**HD4 + HD4**  
 Axles with  
 Ø 410 mm CWP

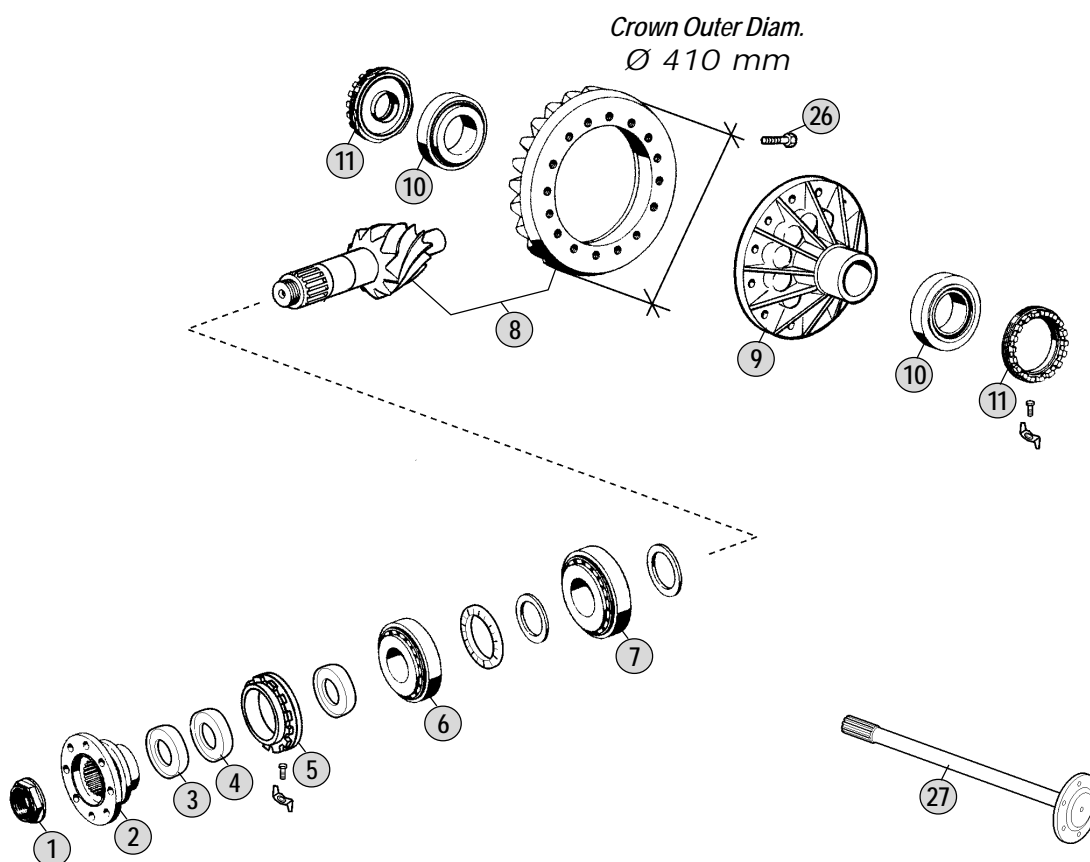
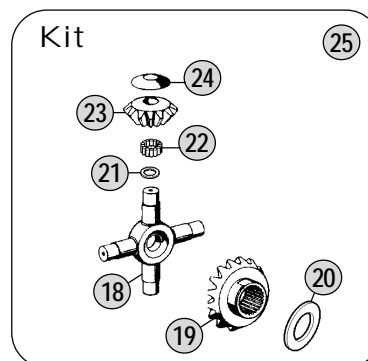
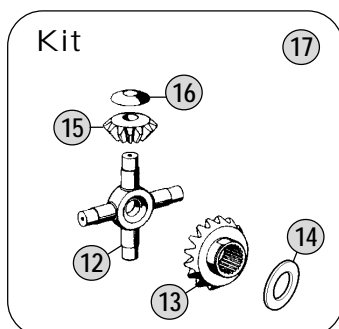
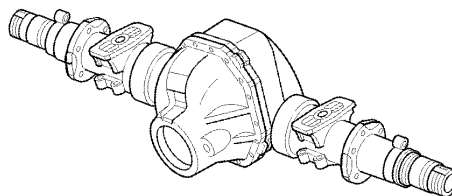
**Models**

LP-NG

(CH 387.xxx - 389.xxx - 391.xxx  
 393.xxx - 395.xxx)

MK-SK

(CH 617.xxx - 619.xxx - 651.xxx  
 652.xxx - 653.xxx - 659.xxx)



**Models**

HL4/09 D-9,2 - HL4/01 D/DL-10 - HL4/06 D-12 - HL4/07 D-9,4

HH4/04 D-12 - HO4/02 CL11,5 - HO4/01 D-11,5 - HD4/03 D-10

HO4/01 DL-10 - HL4/05 D-9,2 - HL4/05 D-9,2 - HL4/08 D-10,6

From **745.600** To **745.699** From **745.701** To **745.799** From **745.800** To **745.899**

Fig.	no.	Rif. MB	Description	Q.ty	Note	HD4-HH4-HL4-HO4				
1		385 351 0172	Nut M40x1,5	1		●				
2		385 353 0945	Output Flange D.130 mm	1		●				
2		385 353 1045	Output Flange D.150 mm	1		●				
2		385 353 1345	Output Flange D.150 mm	1		●				
2		385 353 1145	Output Flange D.165 mm	1		●				
3		016 997 6747	Oil seal	1		●				
4		016 997 6647	Oil seal	1		●				
5		615 353 0125	Grooved Nut	1		●				
6		006 981 1705	Roller Bearing 65x165x36,1	1		●				
7		006 981 3505	Roller Bearing 65x165x40	1		●				
8		385 350 4339	Crown & Pinion 7x41 R.=1:5,86	1	(A) 52 Km/h	●				
8		385 350 4139	Crown & Pinion 9x47 R.=1:5,22	1	(A) 59 Km/h	●				
8		652 350 0039	Crown & Pinion 8x38 R.=1:4,75	1	(A) 65 Km/h	●				
8		301 350 2239	Crown & Pinion 10x43 R.=1:4,30	1	(A) 71 Km/h	●				
8		301 350 2339	Crown & Pinion 12x47 R.=1:3,92	1	(A) 78 Km/h	●				
8		652 350 0339	Crown & Pinion 12x44 R.=1:3,66	1	(B) 84 Km/h	●				
8		652 350 0239	Crown & Pinion 12x40 R.=1:3,33	1	(B) 92 Km/h	●				
8		300 350 0139	Crown & Pinion 15x46 R.=1:3,06	1	(C) 100 Km/h	●				
9		385 350 1427	Differential Housing Empty	1	(A)(D) Empty	●				
9		387 350 2123	Differential Housing Assy	1	(A)(D) Assy	●				
9		615 350 3023	Differential Housing Assy	1	(A)(E) Assy	●				
9		652 350 0923	Differential Housing Assy	1	(A)(E)(*) Assy	●				
9		615 350 3123	Differential Housing Assy	1	(B)(E) Assy	●				
9		615 350 2923	Differential Housing Assy	1	(C)(E) Assy	●				
10		006 981 0005	Roller Bearing 90x140x32	2		●				
11		615 353 0325	Grooved Nut	2		●				
12		617 353 0120	Differential Spider	1	(D)	●				
13		617 353 0115	Side Gear 20 T-38 Splines	2	(D)	●				
14		385 353 4062	Thrust Washer T.1,50mm	2	(D)	●				
14		385 353 2262	Thrust Washer T.1,45mm	2	(D)	●				
15		617 353 0114	Side Pinion 11 T	4	(D)	●				
16		385 353 1262	Thrust Washer 29x1,00	4	(D)	●				
17		385 350 0040	Differential Gear Kit	1	(D)	●				
18		615 353 0120	Differential Spider	1	(E)	●				
19		617 353 0115	Side Gear 20 T-38 Splines	2	(E)	●				
20		385 353 4062	Thrust Washer T.1,50mm	2	(E)	●				
20		385 353 2262	Thrust Washer T.1,45mm	2	(E)	●				
21		615 353 0051	Spacer Ring	4	(E)	●				
22		615 981 0186	Needle D.2,50x28,65	160	(E)	●				
23		615 353 0214	Side Pinion 11 T	4	(E)	●				
24		615 353 0262	Thrust Washer T.30x67x2	4	(E)	●				
25		615 350 0040	Differential Gear Kit	1	(E)	●				
26		385 990 2401	Screw	18		●				
27		385 357 5501	Drive Shaft With Lock L=1024	2		●				
27		652 357 0301	Drive Shaft W/Out Lock	2		●				

**Notes**

(A-B-C) Respect the coupling as the assembling wheelbase between the CWP and the differential housing changes.

(D) Old Type

(E) New Type

(\*) Special Version 745.780/81/82/83

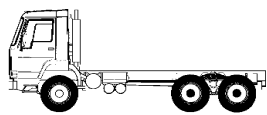
**Date**

04 / 2011

**Table****0580**Rear Axle  
with CWP Ø 410

Adattabile a : **MERCEDES**  
 Suitable To :

Ponte Posteriore / Rear Axle  
 HD4 - HH4 - HL4 - HO4



**HD4 + HD4**  
 Axles with  
 Ø 410 mm CWP

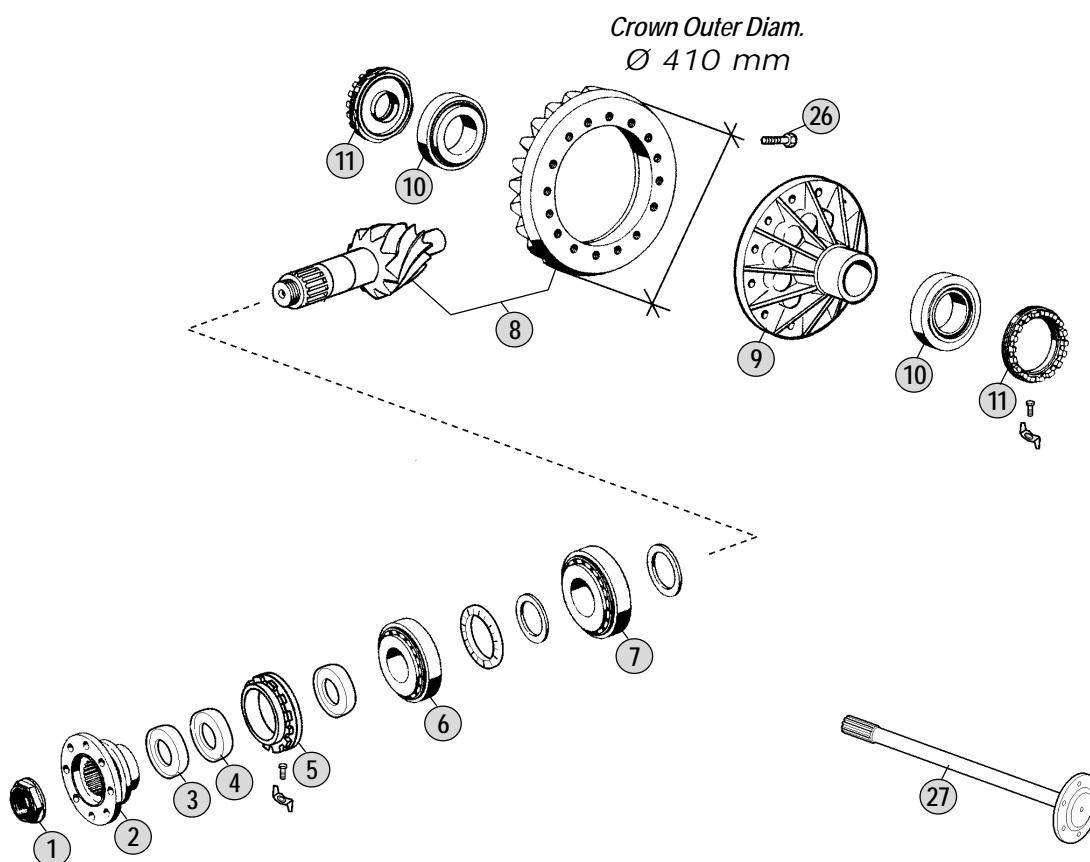
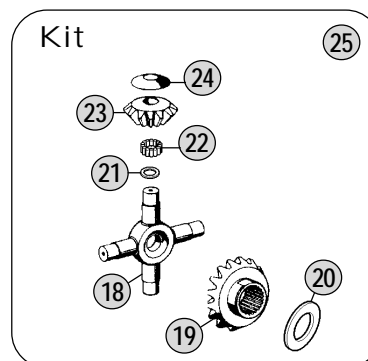
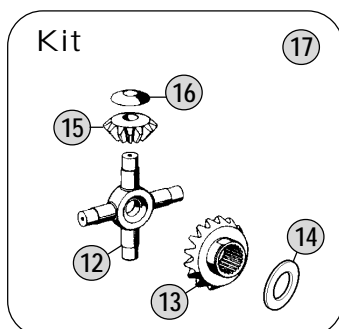
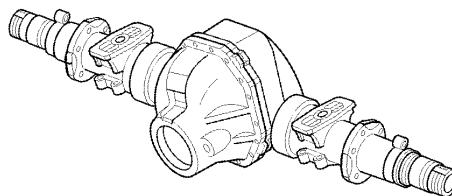
**Models**

LP-NG

(CH 387.xxx - 389.xxx - 391.xxx  
 393.xxx - 395.xxx)

MK-SK

(CH 617.xxx - 619.xxx - 651.xxx  
 652.xxx - 653.xxx - 659.xxx)



**Models**

HL4/09 D-9,2 - HL4/01 D/DL-10 - HL4/06 D-12 - HL4/07 D-9,4

HH4/04 D-12 - HO4/02 CL11,5 - HO4/01 D-11,5 - HD4/03 D-10

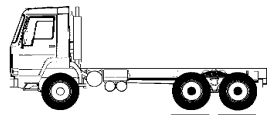
HO4/01 DL-10 - HL4/05 D-9,2 - HL4/05 D-9,2 - HL4/08 D-10,6

From 745.600 To 745.699 From 745.701 To 745.799 From 745.800 To 745.899

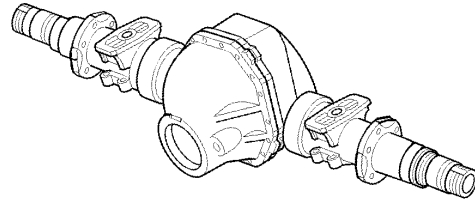


Adattabile a : **MERCEDES**  
 Suitable To :

Ponte Posteriore / *Rear Axle*  
 HL 1/2-3,3 - HL 1/3-4,5

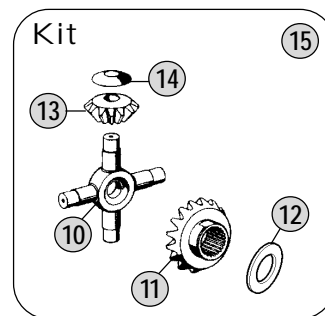


**HL + HL**  
 Axles with  
 Ø 244 mm CWP

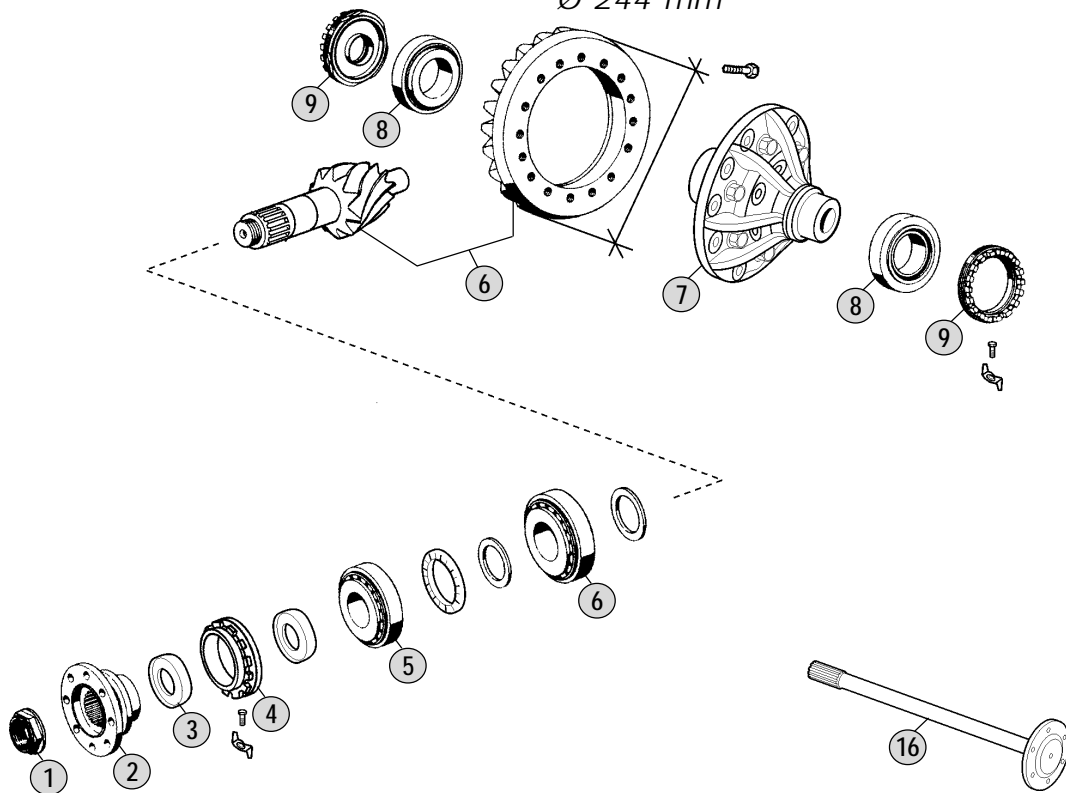


**Buses Models**

O309 - O406 - O407 - O408  
 O409 - O410 - O508 - O608  
 (CH 309.xxx - 406.xxx - 407.xxx - 408.xxx  
 409.xxx - 410.xxx - 508.xxx - 608.xxx)



Crown Outer Diam.  
 Ø 244 mm



**Models**

HL 1/2-3,3 - HL1/3-4,5

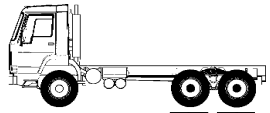
745.001/030/031/200/201/202/203



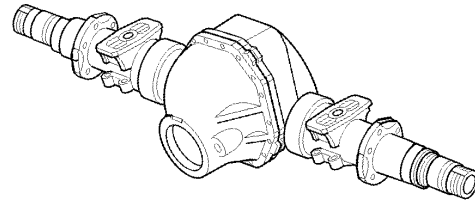


Adattabile a : **MERCEDES**  
 Suitable To :

HL 2/5-9-2-3-4-7-12-11-13-14-15



**HL + HL**  
 Axles with  
 Ø 312 mm CWP

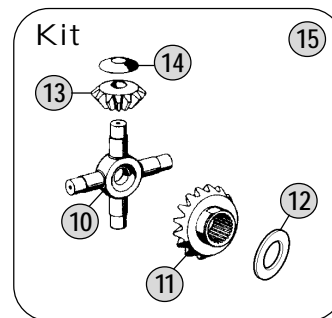


### Models

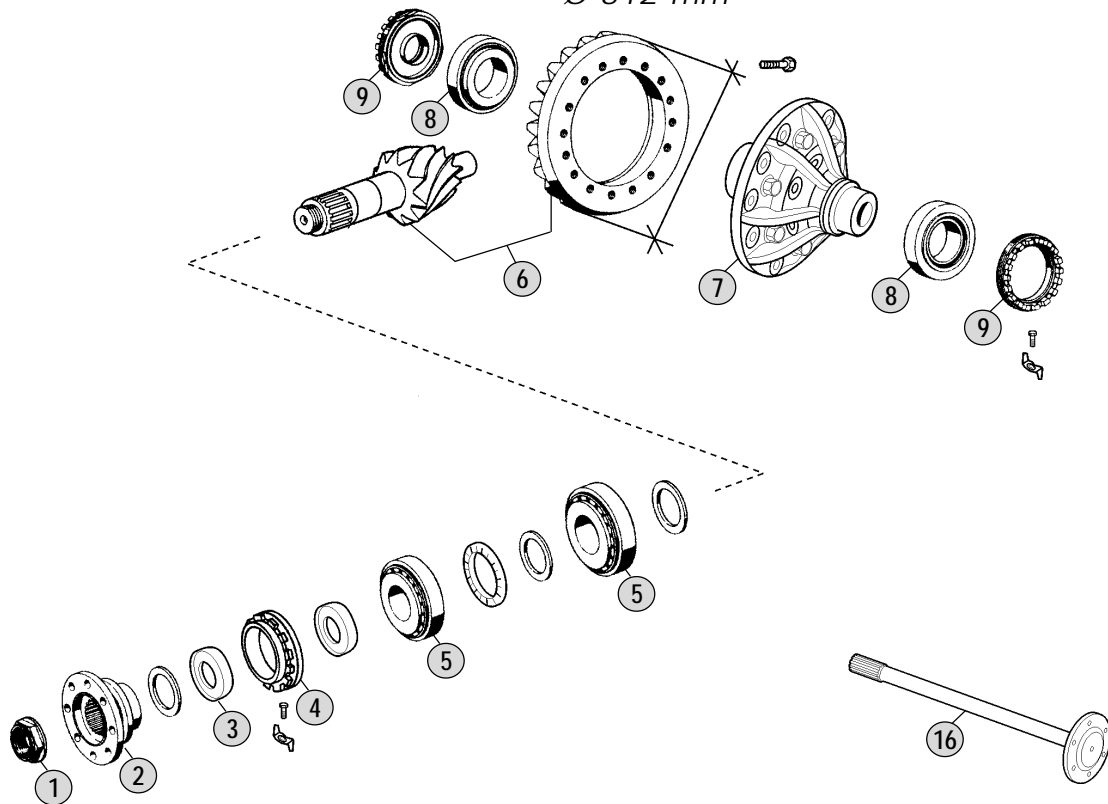
TRANSPORTER T1/T2  
 508/608/609/613/709/711/  
 809/811/814/1013/1317  
 (CH 631.xxx - 601.xxx - 611.xxx  
 661.xxx - 667.xxx - 668.xxx - 672.xxx)

### Buses Models

O301 - O402 - O614  
 (CH 301.xxx - 402.xxx - 614.xxx)



Crown Outer Diam.  
 Ø 312 mm



### Models

HL 2/5-4,5 - HL 2/9-4,7 - HL 2/2-4,8 - HL 2/3-5,7 - HL 2/4-6,4

HL 2/7-7,7 - HL 2/12 D-4,5 - HL 2/11 D-5,8 - HL 2/13 D-6,4

HL 2/14 D-6,9 - HL 2/15 D-5,8

From **741.300** To **741.337** From **741.560** To **741.580** From **742.420** To **742.486**

Fig.	no.	Rif. MB	Description	Q.ty	Note	HL				
1		385 351 0372	Nut M 32x1,5	1		●				
2		316 350 0045	Output Flange D.120 mm	1		●				
2		318 350 0145	Output Flange D.130 mm	1		●				
3		011 997 7447	Oil seal	1		●				
4		316 353 0025	Grooved Nut	1		●				
5		002 981 8805	Bearing	2		●				
5		001 981 9405	Bearing	2		●				
5		008 981 1605	Bearing	2		●				
5		003 981 2901	Bearing	1		●				
6		674 350 0439	Crown & pinion 8x41 R.=1:5,13	1	(A) 57 Km/h	●				
6		318 350 1239	Crown & pinion 10x43 R.=1:4,30	1	(A) 68 Km/h	●				
6		674 350 0639	Crown & Pinion 11x43 R.=1:3,90	1	(A) 75 Km/h	●				
6		310 350 0439	Crown & Pinion 11x40 R.=1:3,64	1	(A) 80 Km/h	●				
6		670 350 0339	Crown & Pinion 13x41 R.=1:3,15	1	(B) 93 Km/h	●				
6		670 350 0239	Crown & Pinion 13x38 R.=1:2,92	1	(B) 100 m/h	●				
7		316 350 0227	Differential Housing Empty	1	(A)(C)	●				
7		316 350 1423	Differential Housing Assy	1	(A)(C)	●				
7		380 350 0027	Differential Housing Empty	1	(A)(D)	●				
7		380 350 0523	Differential Housing Assy	1	(A)(D)	●				
7		669 350 0623	Differential Housing Assy	1	(B)(D)	●				
8		001 981 6005	Bearing	2	(C)	●				
8		005 981 9405	Bearing	2	(D)	●				
9		324 353 0225	Grooved Nut	2		●				
10		318 353 0020	Spider	1	(CD)	●				
11		314 353 0715	Side Gear 16 T-33 Splines	2	(C)	●				
11		380 353 0015	Side Gear 16 T-33 Splines	2	(D)	●				
11		674 353 0015	Side Gear	2	(D)(*) Latest	●				
12		314 353 0962	Thrust Washer T.1,95 mm	2	(C)	●				
12		380 353 0162	Thrust Washer T.1,28 mm	2	(D)	●				
12		674 353 0262	Thrust Washer	2	(D)(*) Latest	●				
13		316 353 0014	Side Pinion 10 T	4	(C)	●				
13		380 353 0014	Side Pinion 10 T	4	(D)	●				
13		674 353 0014	Side Pinion	4	(D)(*) Latest	●				
14		314 353 0224	Thrust Washer	4	(C)	●				
14		380 353 0024	Thrust Washer	4	(D)	●				
15		314 350 0026	Differential Kit	1	(C)	●				
15		318 586 0135	Differential Kit	1	(D)	●				
16		310 357 1101	Drive Shaft	1	(C)	●				
16		310 357 0601	Drive Shaft	1	(C)	●				
16		674 357 0001	Drive Shaft	1	(D)	●				
16		314 357 0501	Drive Shaft	1	(D)	●				

**Notes**

(A - B) To be coupled together

(C - D) To be coupled together

(\*) 380 353 0015 + 380 353 0162 + 380 353 0014 Replaced by  
674 353 0015 + 674 353 0014 + 674 353 0262**Date**

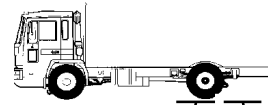
04 / 2011

**Table****0600**Rear Axle  
with CWP Ø 312

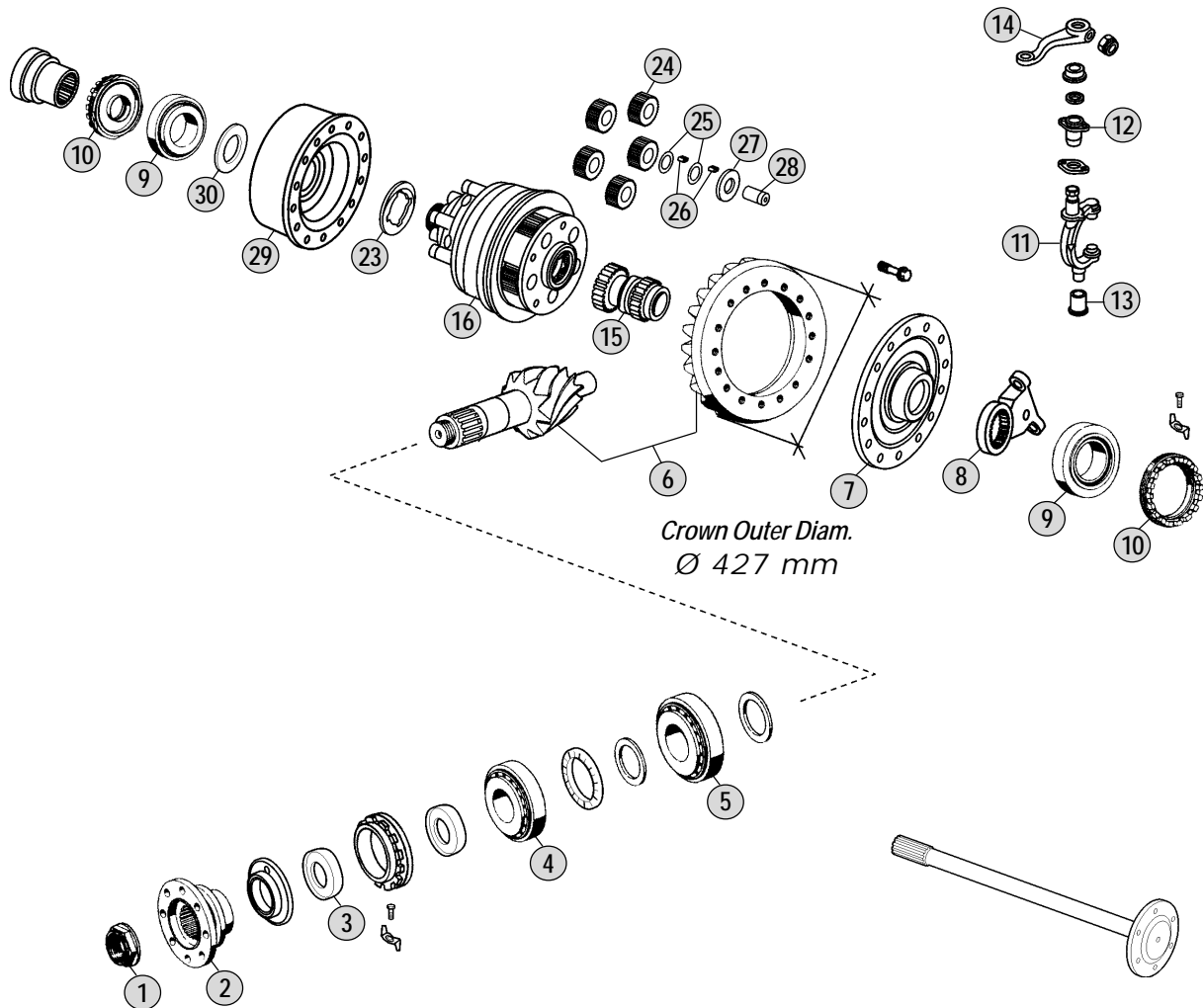
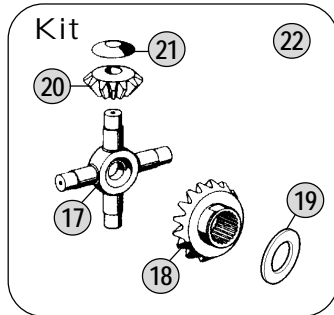
Adattabile a : **MERCEDES**  
 Suitable To :

HL 5/1 Z-10 - HL 5/2 Z-10

**Models**  
 LP-NG  
 (CH 385.xxx)



**HL + HL**  
 Axles with  
 Ø 427 mm CWP



**Models**

HL 5/1 Z-10 - HL 5/2 Z-10  
 From **745.000** To **745.043**

Fig.	no.	Rif. MB	Description	Q.ty	Note	HL 5/12 Z-10			
1		385 351 0172	Nut M40x1,5	1		●			
2		360 350 0045	Output Flange D.130 mm	1		●			
2		386 353 0745	Output Flange D.130 mm	1		●			
2		360 350 0445	Output Flange D.150 mm	1		●			
3		016 997 6647	Oil seal	1		●			
4		001 981 9905	Bearing	1		●			
5		003 981 1205	Bearing	1		●			
6		302 350 1539	Crown & Pinion 7x48 R.=1:6,86	1	74 Km/h	●			
6		302 350 2639	Crown & Pinion 7x43 R.=1:6,15	1	82 Km/h	●			
6		302 350 2839	Crown & Pinion 8x45 R.=1:5,63	1	90 Km/h	●			
7		354 353 0113	Cover	1		●			
8		360 353 0319	Sleeve support	1		●			
9		017 981 7905	Bearing 100x150x32	2		●			
10		354 353 0025	Grooved Nut	2		●			
11		327 350 1588	Fork	1		●			
12		327 353 0338	Bush	1		●			
13		327 353 0438	Bush	1		●			
14		338 353 0132	Lever	1		●			
15		354 353 0085	Gear 23 T	1		●			
16		338 350 0727	Differential Housing Empty	1	(A) Empty	●			
16		354 350 0123	Differential Housing Assy	1	(A) Assy	●			
16		302 350 1823	Differential Housing Assy	1	(B) Assy	●			
17		360 353 0020	Differential Spider 30M	1	(A) 30M	●			
17		301 353 0020	Differential Spider 29M	1	(B) 29M	●			
18		354 353 0015	Side Gear 20 T-37 Splines	2	(A)	●			
18		301 353 0115	Side Gear 20 T-37 Splines	2	(B)	●			
19		327 353 3962	Thrust washer T.1,50 mm	2		●			
20		354 353 0014	Side Pinion 11 T	4	(A)	●			
20		385 353 0114	Side Pinion 11 T	4	(B)	●			
21		327 353 4662	Thrust Washer 30x1,00	4	(A)	●			
21		385 353 1262	Thrust Washer 29x1,00	4	(B)	●			
22		354 586 0035	Differential Kit	1	(A)	●			
22		352 350 0040	Differential Kit	1	(B)	●			
23		327 353 2952	Thrust Washer T.1,50 mm	1		●			
23		327 353 3052	Thrust Washer T.1,80 mm	1		●			
24		327 353 0586	Side pinion 17 T	5		●			
25		327 353 2462	Thrust washer	10		●			
26		355 981 0187	Needle D.4x11,80 Kit (70 Pcs)	5	(70 pcs)	●			
27		327 353 2162	Thrust washer	5		●			
28		354 353 0174	Planerary Pin	5		●			
29		385 353 0013	Hub	1		●			
30		327 353 6552	Thrust Washer T.6,50 mm	1		●			

Notes

(A - B) To be coupled together

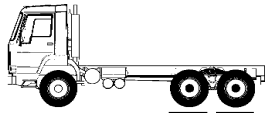
Date

04/ 2011

Table**0610**Rear Axle  
Axle with CWP Ø 427

Adattabile a : **MERCEDES**  
 Suitable To :

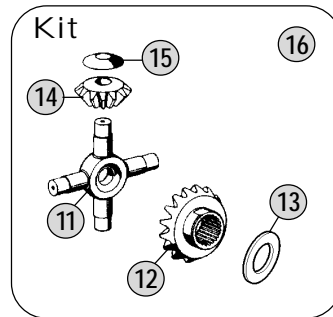
HO5/8 DL-10



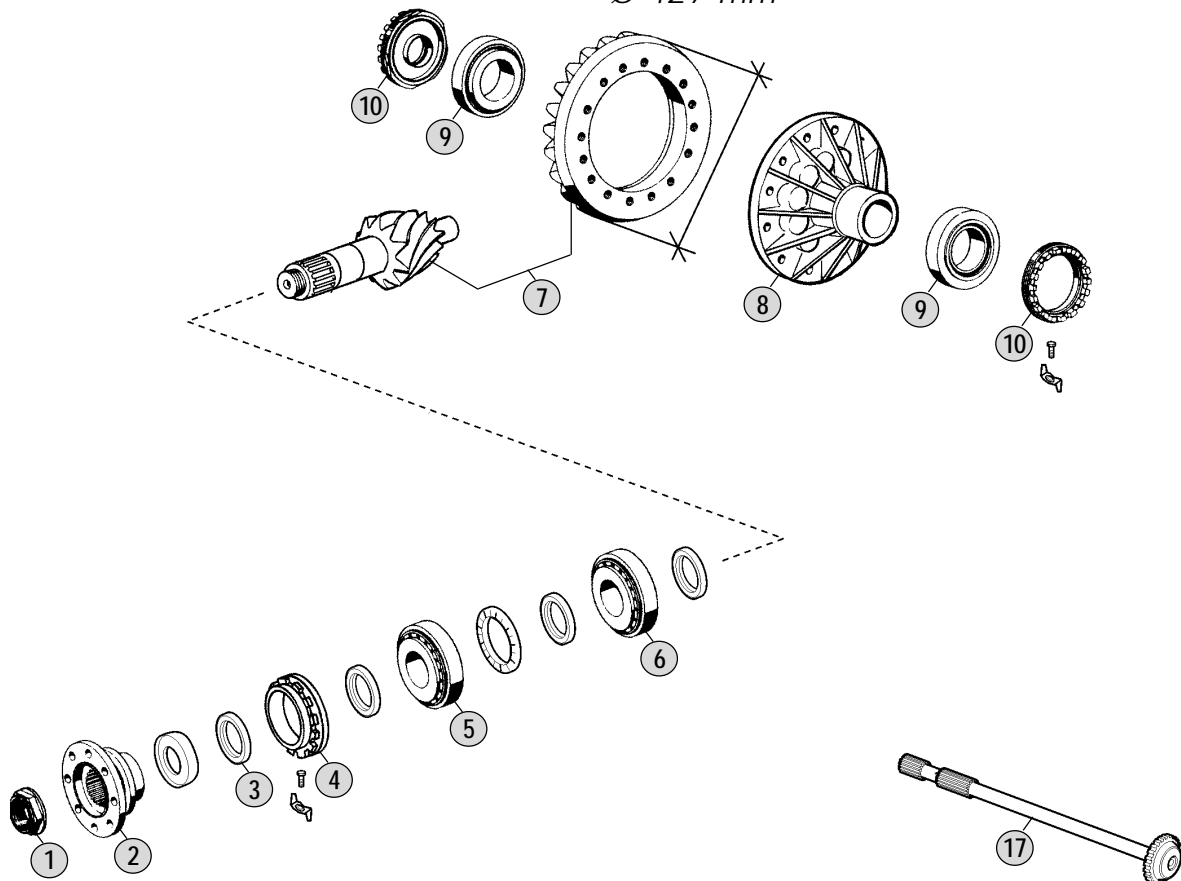
**HO + HO**  
 Axles with  
 Ø 427 mm CWP

**Buses Models**

O302 - O303  
 (CH 302.xxx - 303.xxx)



Crown Outer Diam.  
 Ø 427 mm



**Models**

HO5/8 DL-10

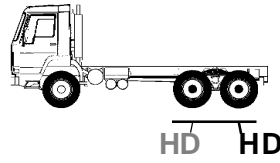
From **745.200** To **745.230**



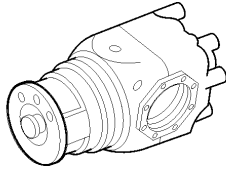


Adattabile a : **MERCEDES**  
Suitable To :

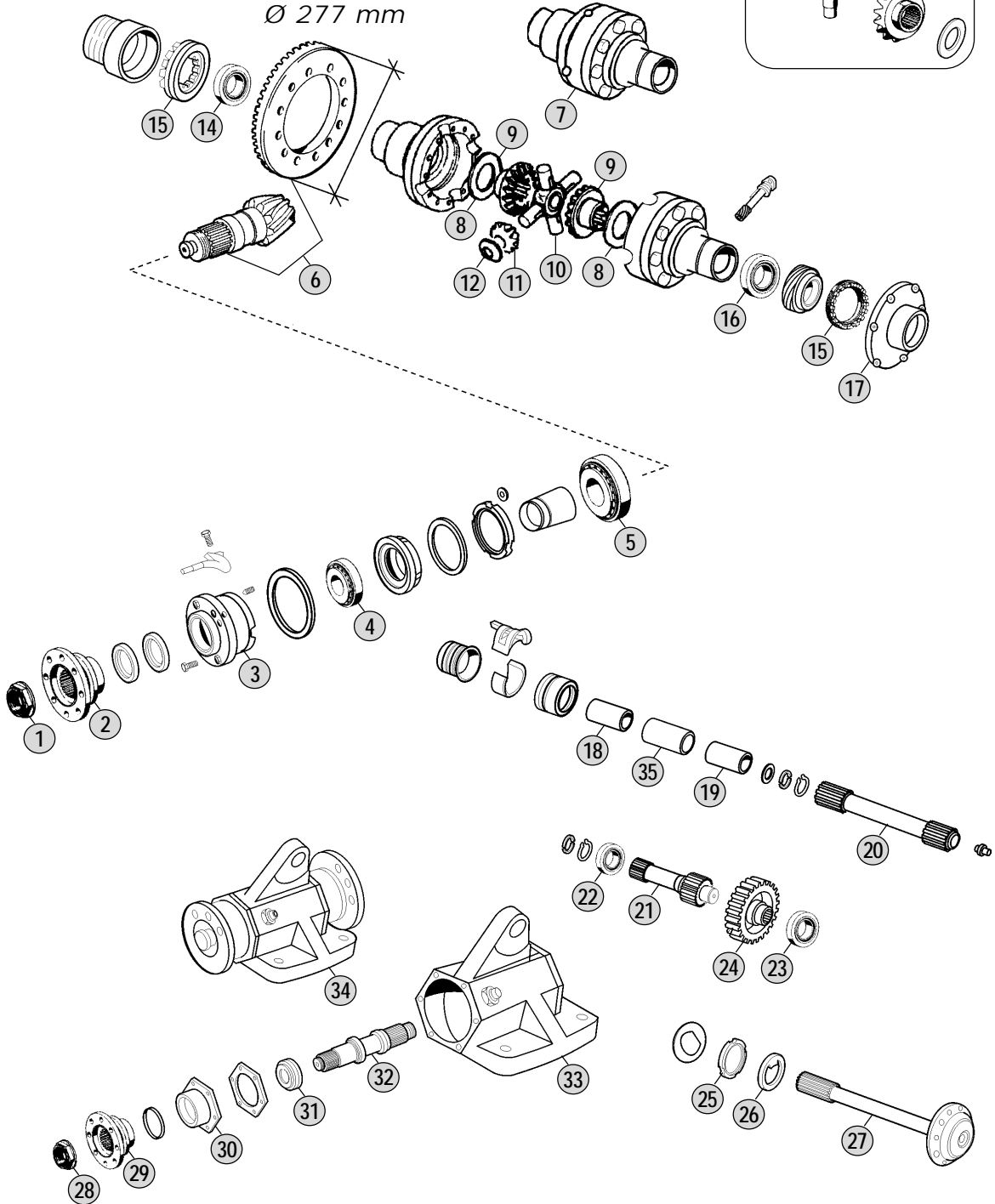
**HD 6/3 DG-10**



**Models**  
LP-NG  
(CH 343.xxx - 346.xxx)



Crown Outer Diam.  
Ø 277 mm



**Models**

HD 6/3 DG-10

745.500 - 501

Fig.	no.	Rif. MB	Description	Q.ty	Note	HD 63 DC-10				
1		385 351 0172	Nut M40x1,5	1		●				
2		315 353 0045	Coupling flange	1		●				
3		315 350 0250	Bearing Cage	1		●				
4		006 981 1005	Bearing	1		●				
5		001 981 0601	Bearing	1		●				
6		343 350 0039	Crown & Pinion 9x26 R.=1:2,89	1		●				
7		349 350 0027	Differential Housing Empty	1	Empty	●				
7		349 350 0923	Differential Housing Assy	1	Assy	●				
8		304 353 0362	Washer	2		●				
9		335 353 0015	Side Gear 16 T	2		●				
10		304 353 0020	Spider	1		●				
11		326 353 0414	Side Pinion 11 T	4		●				
12		304 353 0162	Washer	4		●				
13		343 586 0135	Differential Kit	1		●				
14		006 981 0605	Bearing	1		●				
15		366 353 0225	Adjusting Ring	2		●				
16		001 981 8505	Bearing	1		●				
17		320 357 0121	Differential Cover	1		●				
18		320 357 0120	Tube 80	1		●				
19		320 357 0020	Support tube	1		●				
20		335 357 0102	Drive Shaft L=448,50 mm	1		●				
21		326 354 1310	Pinion 12 T	1	Ratio 27:12	●				
21		326 354 1410	Pinion 11 T	1	Ratio 28:11	●				
21		315 354 0610	Pinion 10 T	1	Ratio 29:10	●				
22		000 981 4301	Roller Bearing	1		●				
23		005412 410215	Bearing	2		●				
24		326 354 1212	Gear 27 T	1	Ratio 27:12	●				
24		326 354 1012	Gear 28 T	1	Ratio 28:11	●				
24		326 354 1112	Gear 29 T	1	Ratio 29:10	●				
25		303 356 0026	Adjusting Ring	1		●				
26		304 356 0073	Anello di fermo	1		●				
27		335 356 0205	Drive Shaft	1		●				
28		385 351 0172	Nut M40x1,5	1		●				
29		315 353 0045	Coupling flange	1		●				
30		343 352 0016	Bearing flange	1		●				
31		343 353 0153	Shim	1		●				
32		343 353 0335	Shaft	1		●				
33		343 352 0841	Differential support	1		●				
34		343 350 0741	Differential Support Assy	1	Assy	●				
35		320 357 0053	Engaging tube	1		●				

Rear Axle  
with CWP Ø 277

Notes

Date

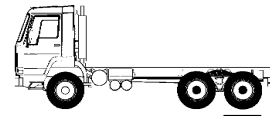
04 / 2011

Table

**0630**

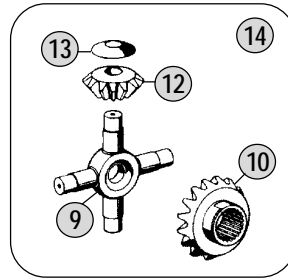
Adattabile a : **MERCEDES** HL O/01 - HL O/02 - HL O/14 - HL O/15  
 Suitable To :

**Models**  
**SPRINTER**  
 (CH 901.xxx - 902.xxx - 903.xxx  
 904.xxx)

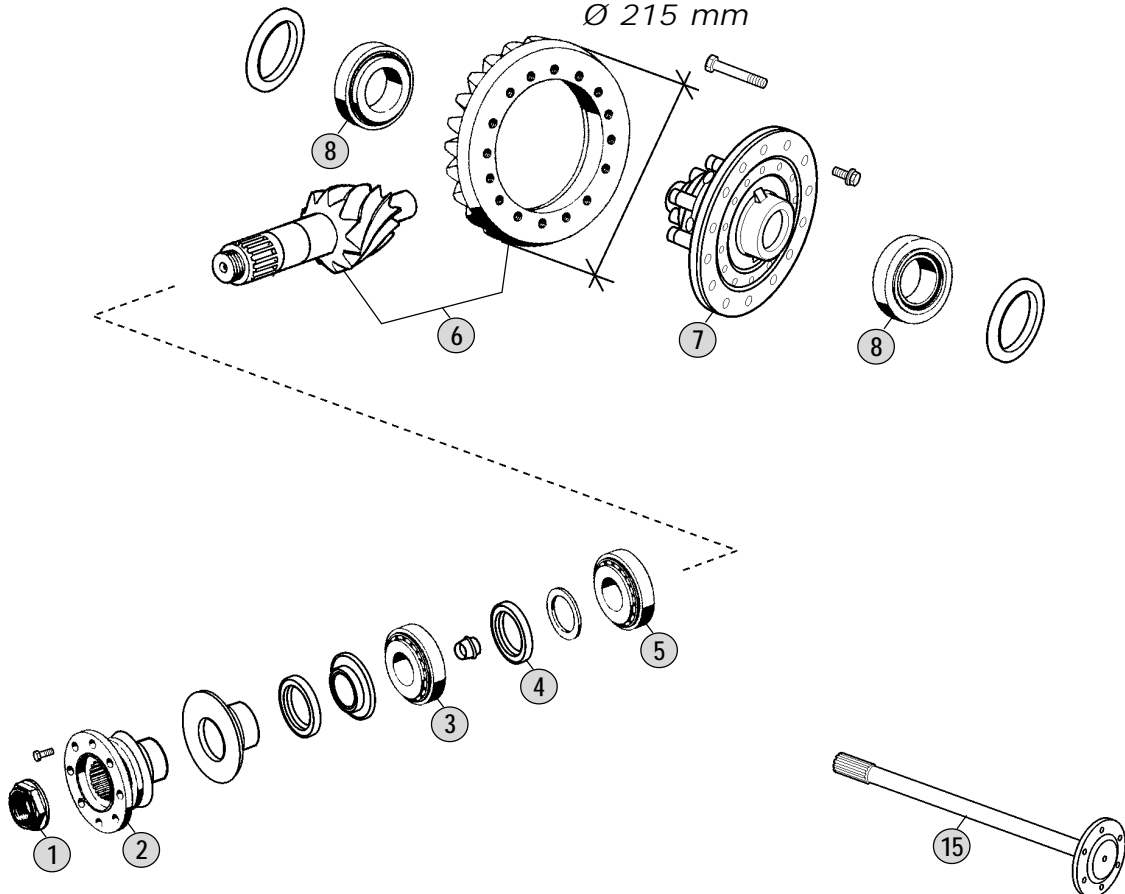


**HLO**

Axles with  
 Ø 215 mm CWP



Crown Outer Diam.  
 Ø 215 mm



**Models**

HL O/01 - HL O/02 - HL O/14 - HL O/15

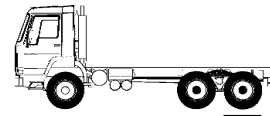
741.130-131-407-408-409



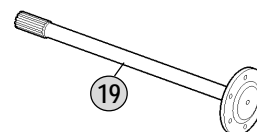
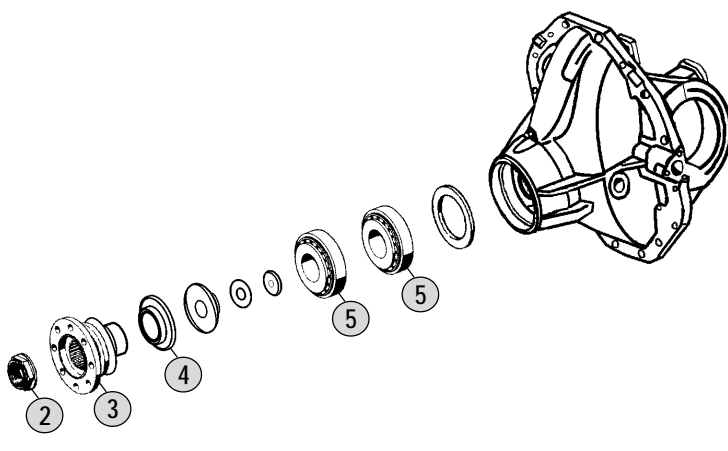
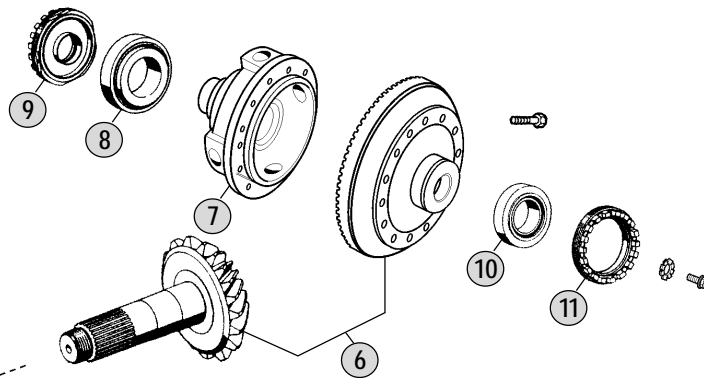
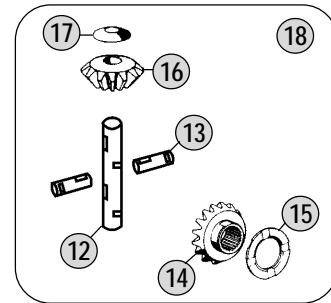
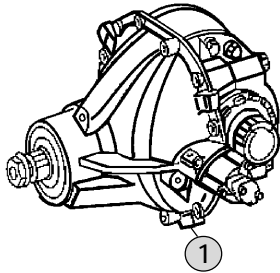
Adattabile a : **MERCEDES**

HL 2 / 30 / 31 / 43 / 44 / 46 / 47

**Models**  
ATEGO  
(CH 970.xxx)



HL 2

**Models**

HL 2/30 - HL 2/31 - HL 2/43 - HL 2/44 - HL 2/46 - HL 2/47

742.503 - 504 - 505 - 506 - 509 - 510

Fig.	no.	Rif. MB	Description	Q.ty	Note	HL 2/43 - 44				
1		QPM350000101	Central Gear 13x38 w/lock	1	100 Km/h	●				
1		QPM700000011	Central Gear 13x38 w/out lock	1	100 Km/h	●				
1		QPM350000097	Central Gear 13x41 w/lock	1	93 Km/h	●				
1		QPM700000006	Central Gear 13x41 w/out lock	1	93 Km/h	●				
1		QPM350000075	Central Gear 11x40 w/lock	1	80 Km/h	●				
1		QPM700000014	Central Gear 11x40 w/out lock	1	80 Km/h	●				
1		QPM350000095	Central Gear 11x43 w/lock	1	75 Km/h	●				
1		QPM700000012	Centra Gear 11x43 w/out lock	1	75 Km/h	●				
1		QPM700000013	Central Gear 10x43 w/out lock	1	68 Km/h	●				
1		QPM700000007	Central Gear 9x43 w/out lock	1	61 Km/h	●				
1		QPM350000099	Central Gear 8x41 w/lock	1	57 Km/h	●				
1		QPM700000005	Central Gear 8x41 w/out lock	1	57 Km/h	●				
1		QPM350000102	Central Gear 7x40 w/lock	1	51 Km/h	●				
1		QPM700000001	Central Gear 7x40 w/out lock	1	51 Km/h	●				
2		385 351 0172	Nut M40x1,5	1		●				
3		670 350 0045	Output Flange D.120 mm	1		●				
3		674 350 0245	Output Flange D.120 mm	1		●				
3		674 350 0145	Output Flange D.120 mm	1		●				
3		970 350 0045	Output Flange D.120 mm	1		●				
3		677 350 0045	Output Flange D.150 mm	1		●				
4		019 997 6047	Oil Seal	1		●				
5		014 981 7605	Bearing 60x125x36,5	2		●				
6		9703530112+0110	Crown & Pinion 13x38 R.=1:2,92	1	100 Km/h	●				
6		9703530212+0210	Crown & Pinion 13x41 R.=1:3,15	1	93 Km/h	●				
6		9703530312+0310	Crown & Pinion 11x40 R.=1:3,64	1	80 Km/h	●				
6		9703530412+0410	Crown & Pinion 11x43 R.=1:3,91	1	75 Km/h	●				
6		9703530512+0510	Crown & Pinion 10x43 R.=1:4,30	1	68 Km/h	●				
6		9703530812+0810	Crown & pinion 9x43 R.=1:4,78	1	61 Km/h	●				
6		9703530612+0610	Crown & Pinion 8x41 R.=1:5,12	1	57 Km/h	●				
6		9703530712+0710	Crown & Pinion 7x40 R.=1:5,71	1	51 Km/h	●				
7		970 353 0101	Differential Housing Assy	1		●				
8		017 981 8005	Bearing	1		●				
9		674 353 0025	Grooved Nut	1		●				
10		017 981 7905	Bearing 100x150x32	1		●				
11		970 353 0025	Grooved Nut	1		●				
12		970 353 0121	Spider Body	1		●				
13		970 353 0221	Pin	2		●				
14		675 353 0215	Side Gear 16 T-38 Splines	2		●				
15		676 353 0162	Thrust Washer	2		●				
16		675 353 0014	Side Pinion 9 T	4		●				
17		352 353 0024	Thrust Washer	4		●				
18		970 350 0240	Differential Kit	1		●				
19		970 357 0401	Drive Shaft	1		●				
19		970 357 0601	Drive Shaft	2		●				

Rear Axle

Notes

Date

04 / 2011

Table

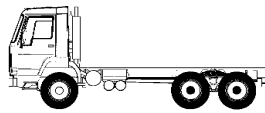
**0650**



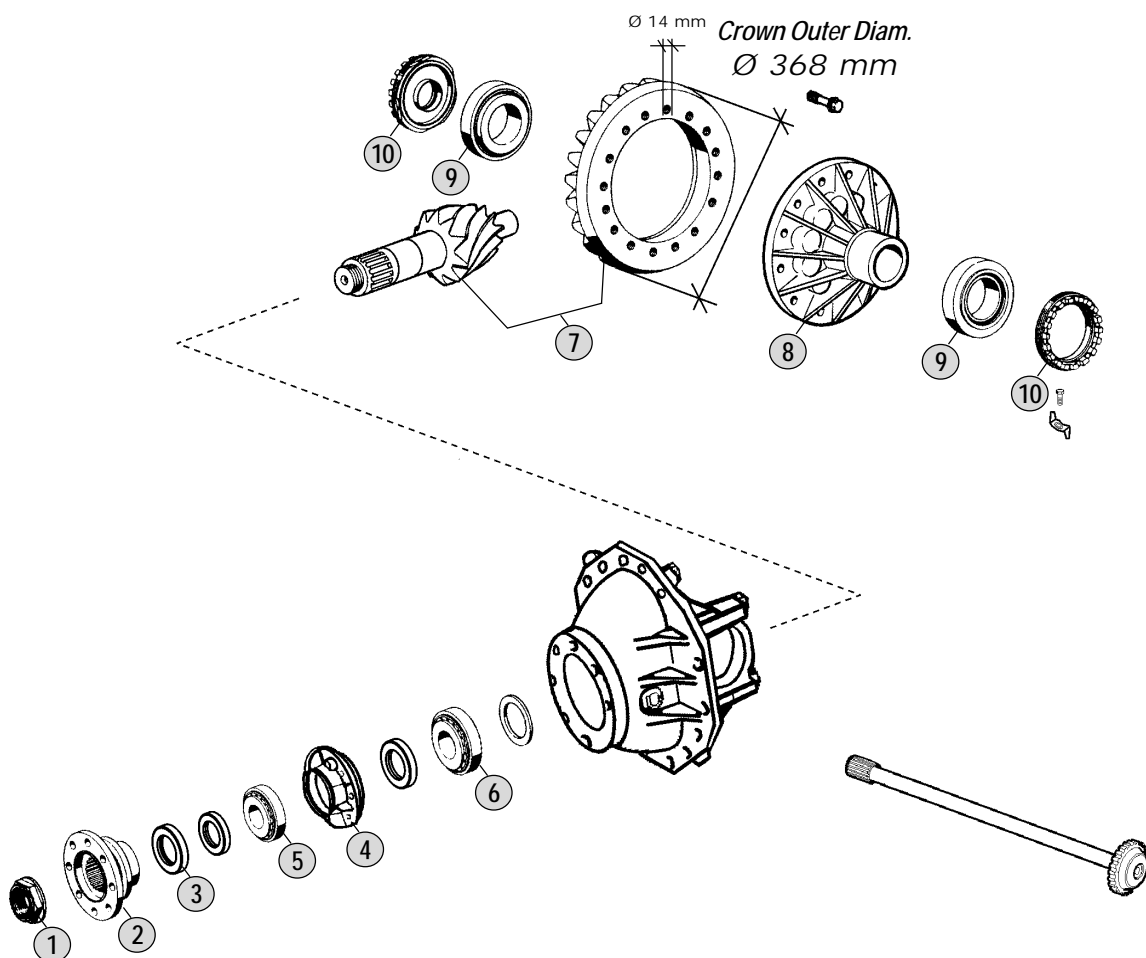
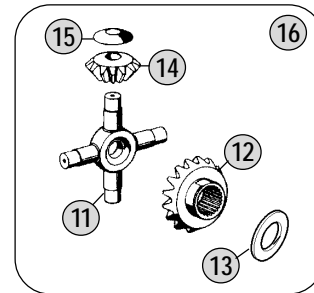
Adattabile a : **MERCEDES**  
 Suitable To :

**HL 4 / 40**

**Models**  
**ATEGO**  
 (From 970.xxx To 974.xxx)



**HL 4/40**  
 Axles with  
 Ø 368 mm CWP



**Models**

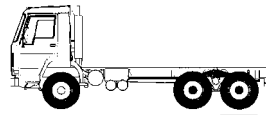
HL 4 / 40

770.001/002/003



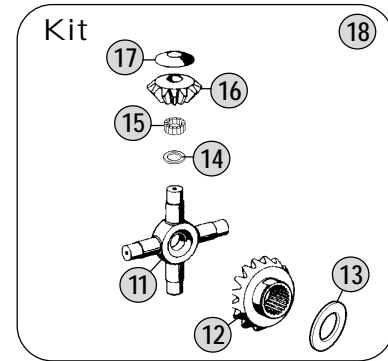
Adattabile a : **MERCEDES**  
 Suitable To :

**HL 4 / 40**

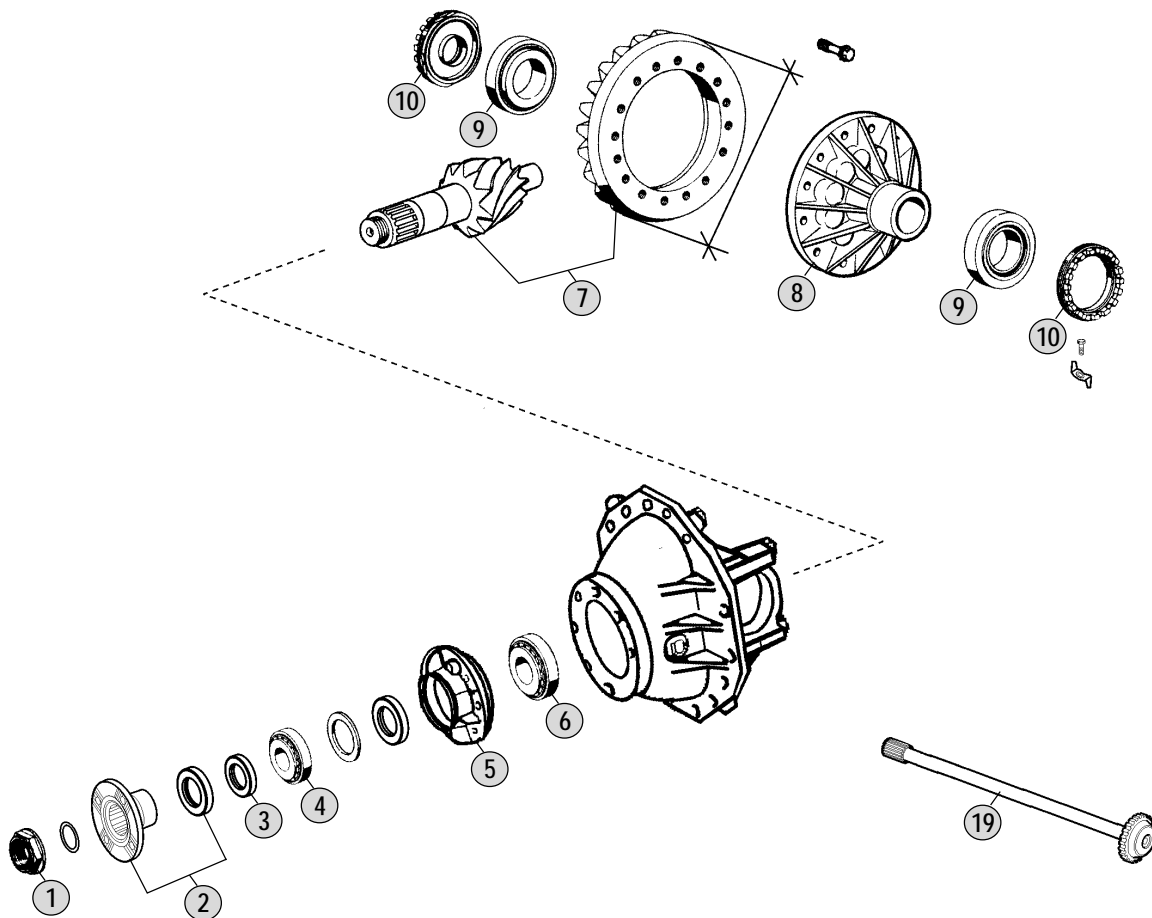


**Models**  
**ATEGO**  
 (CH From 970.xxx To 974.xxx)

**HL 4/40**  
 Axles with  
 Ø 410 mm CWP



Crown Outer Diam.  
 Ø 410 mm



**Models**

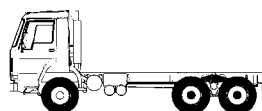
HL 4 / 40

771.000/001/005/003



Adattabile a : **MERCEDES**  
 Suitable To :

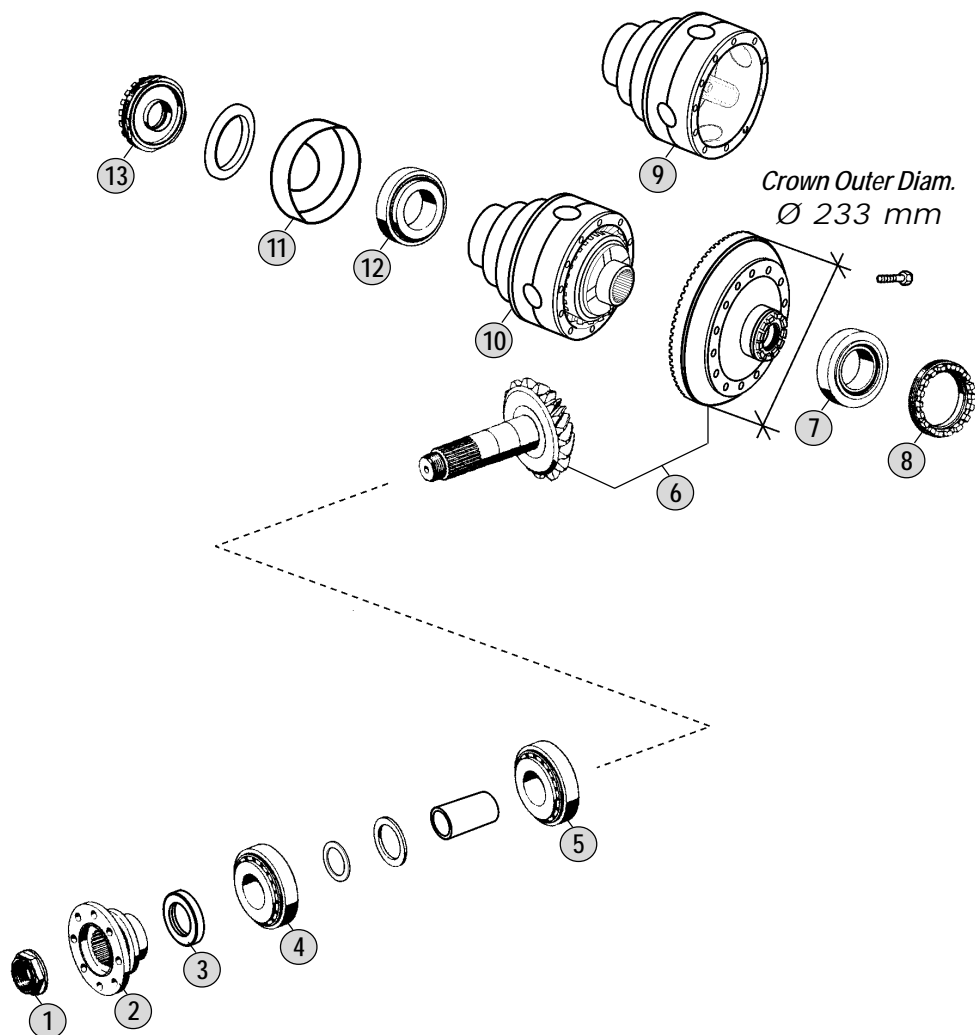
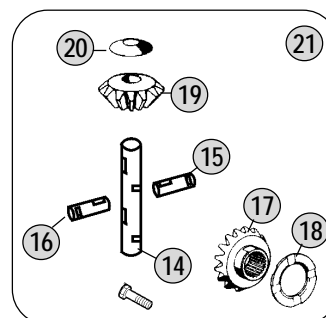
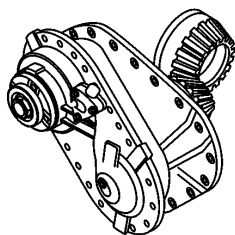
Ponte Posteriore / *Rear Axle*  
**HL 7/55 - HL 7/56**



**HL 4/40**

*Axles with*  
 Ø 233 mm CWP

**Models**  
**ACTROS MP2**  
 (CH From 930.xxx To 934.xxx)



**Models**

HL 7/55 - HL 7/56

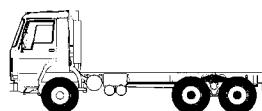
**748.260/269/270/706**





Adattabile a : **MERCEDES**

HL 7/50 - HL 7/55 - HL 7/56

**HL 4/40**

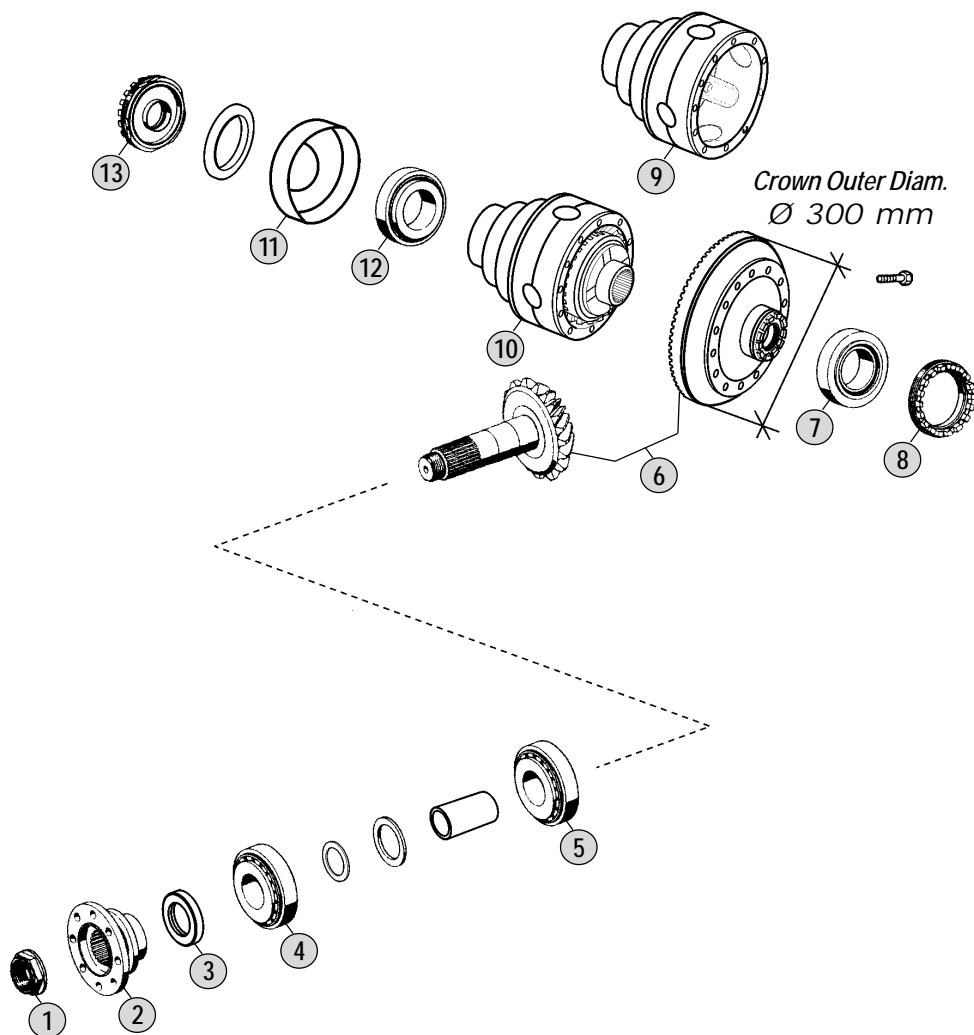
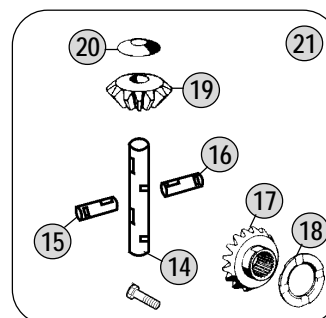
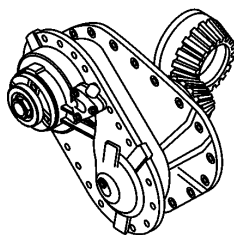
Axles with

Ø 300 mm CWP

**Models**

ACTROS MP2

(CH From 930.xxx To 934.xxx)

**Models**

HL 7/50 - HL 7/55 - HL 7/56

748.262/268/272/274/276/701/706/708

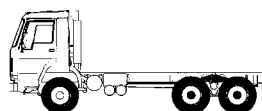


Adattabile a : **MERCEDES** HL 6/1/3 - HO 6/1/2/3/5/6

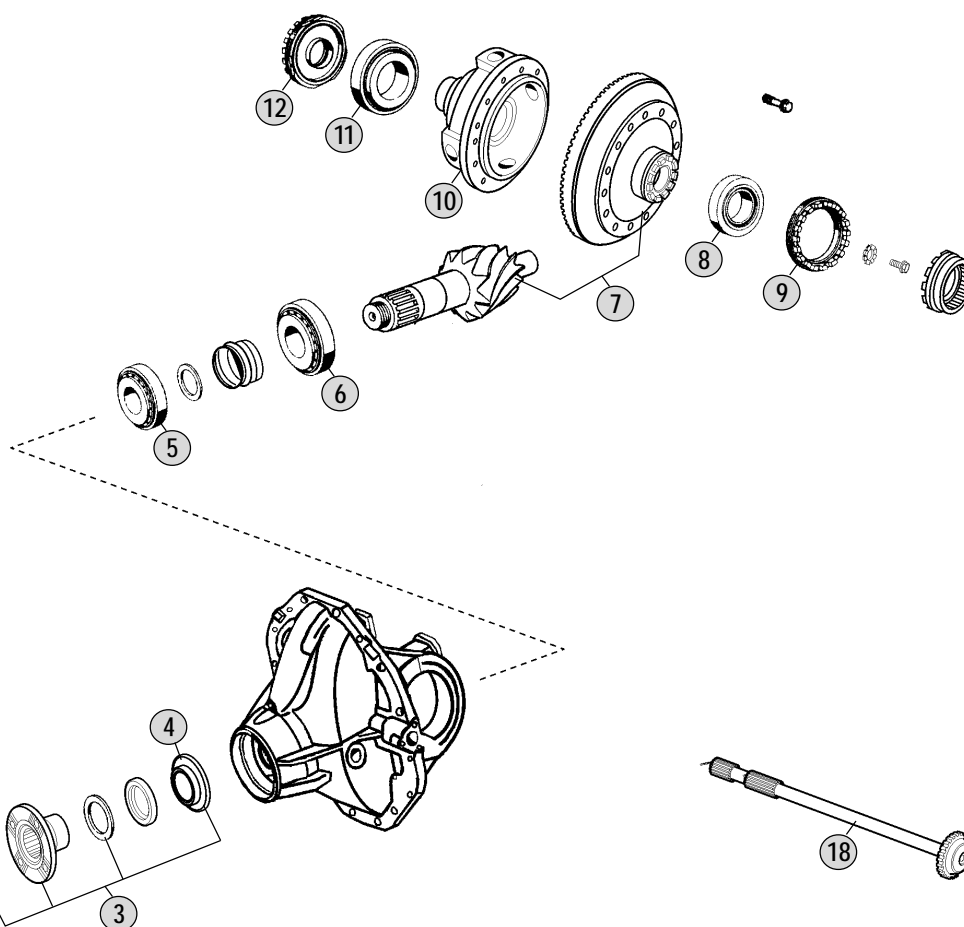
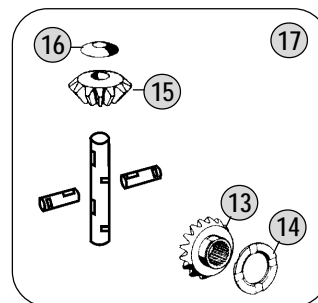
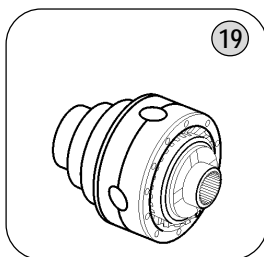
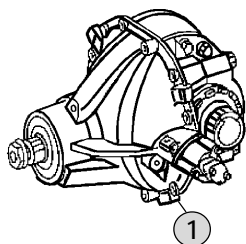
**Models**

ACTROS MP2

(CH From 930.xxx To 934.xxx)



HL 6/1/3  
HO 6/1/2/3/5/6

**Models**

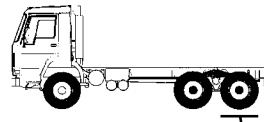
HL 6/1 - HL 6/3 - HO 6/1 - HO 6/2 - HO 6/3 - HO 6/5 - HO 6/6

746.210/211/212/213/216/217/218/221

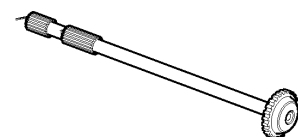
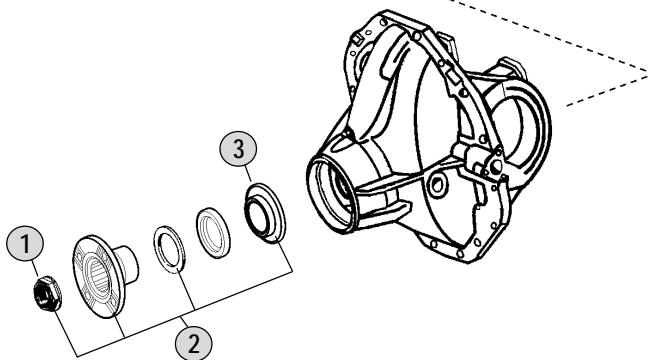
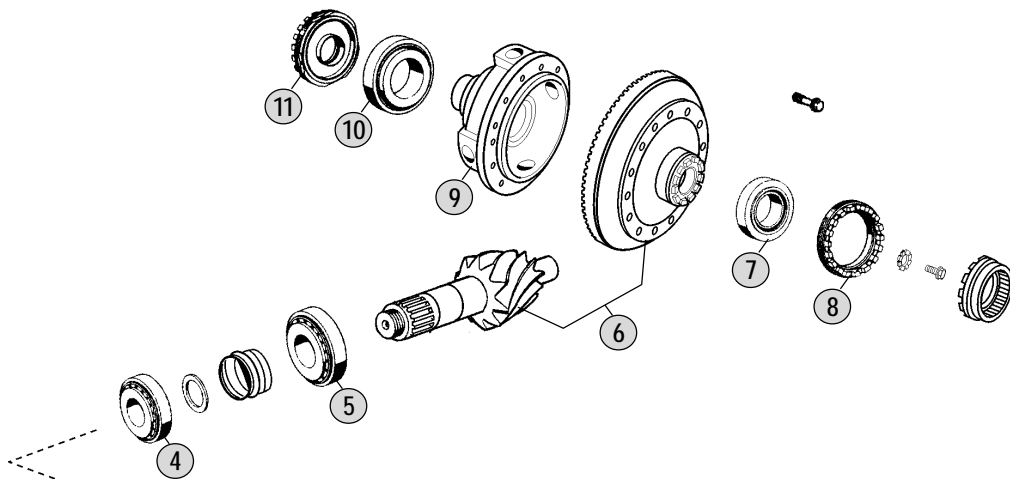
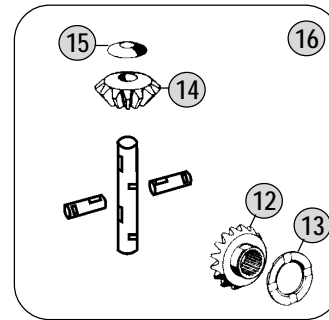
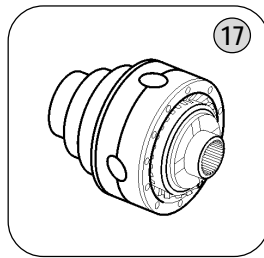


Adattabile a : **MERCEDES**  
Suitable To :

**Models**  
**ACTROS**  
(CH From 930.xxx To 934.xxx)



HL 8/1 - HO 8/1



**Models**

HL 8/1 - HO 8/1




748.590 - 748.591

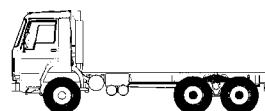




Adattabile a : **MERCEDES**

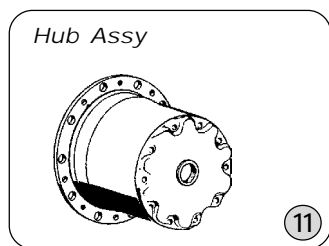
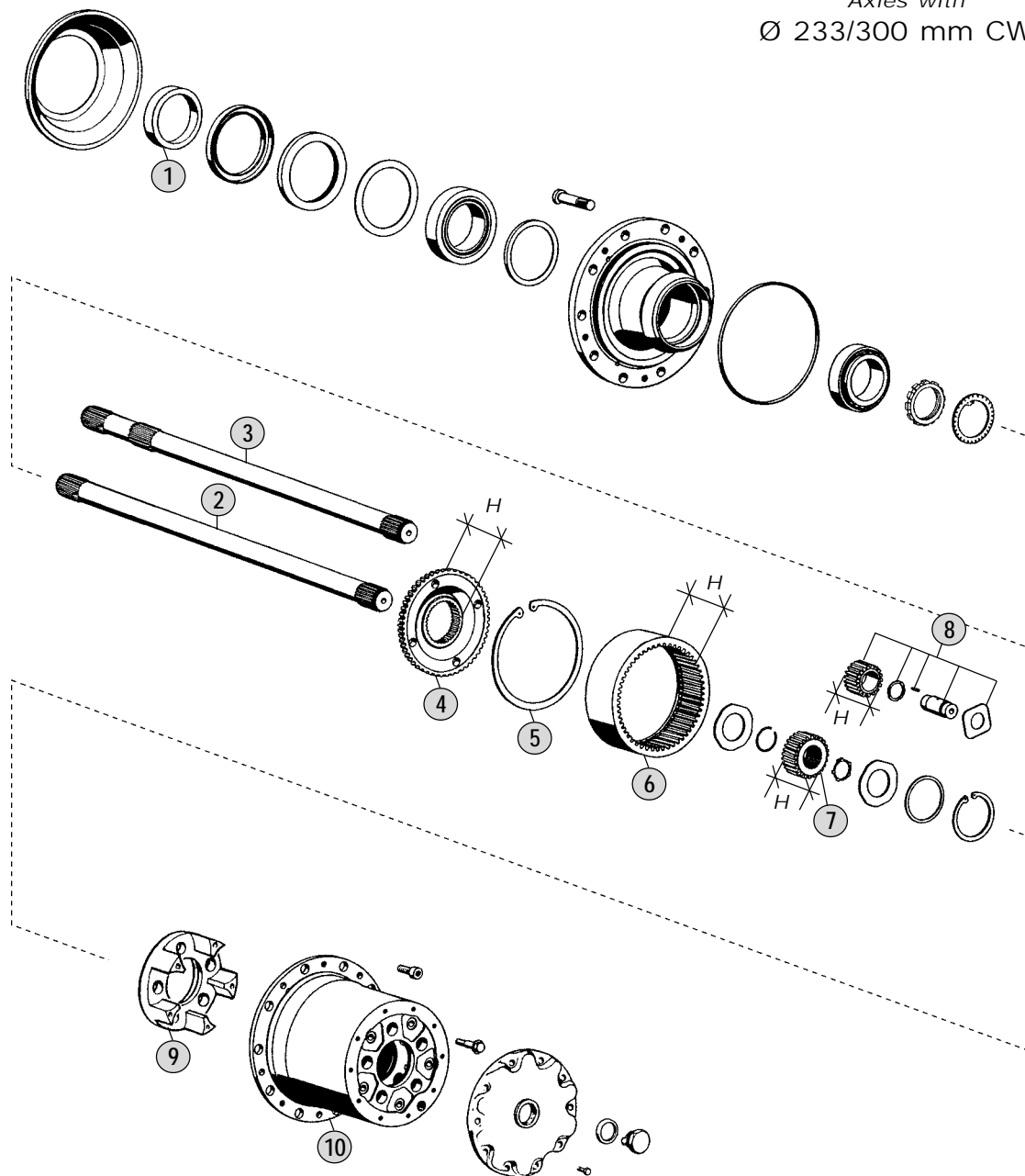
**HD7-9 / H7-9** 13120 - 16120

		+		+	
(A)	Z 56		Z 56		Z 19
(B)	Z 86		Z 86		Z 29
(C)	Z 75		Z 75		Z 25



**HD7 - HL7**  
Axles with

Ø 233/300 mm CWP



**Models**

HD7 - HD4 (Intermediate) - HL7 - HO7 (Rear)

From 740.000 To 740.079 - From 748.990 To 740.999 - From 740.500 To 740.550

745.700/702/730/732/736/738/739/741/893/895/897/898 - 748.261/263/271/273/275 (Int.)

From 740.100 To 740.399 - From 740.950 To 740.999- From 748.400 To 748.526 (Rear)

Fig.	Rif. MB	Description	Q.ty	Note	HDT - Hr-9				
1	355 356 1215	Thrust Ring	1		●				
1	346 356 1415	Thrust Ring	1		●				
2	355 357 0701	Drive Shaft W/out lock L=1090 mm	1	(A) 34 Spl	●				
2	659 357 1001	Drive Shaft W/out lock L=1103 mm	1	(BC) 34 Spl	●				
2	658 357 0801	Drive Shaft W/out lock L=1108 mm	1	(BC) 40 Spl	●				
3	355 357 1001	Drive shaft W/lock L=1060 mm	1	(A) 34 Spl	●				
3	355 357 0801	Drive shaft W/lock L=1090 mm	1	(A) 34 Spl	●				
3	658 357 1501	Drive shaft W/lock L=1108 mm	1	(A) 40 Spl	●				
3	658 357 0901	Drive Shaft W/lock L=1108 mm	1	(A) 41 Spl	●				
3	659 357 1101	Drive Shaft W/lock L=1103 mm	1	(BC) 34 Spl	●				
4	355 354 0709	Carrier Hub 56 T	1	(A) Old Type (H=40 mm)	●				
4	355 354 1809	Carrier Hub 56 T	1	(A) (H=40 mm)	●				
4	346 354 1009	Carrier Hub 56 T	1	(A) Old Type (H=66 mm)	●				
4	355 354 1909	Carrier Hub 56 T	1	(A) (H=66 mm)	●				
4	355 354 2509	Carrier Hub 86 T	1	(B) (H=40 mm)	●				
4	355 354 2409	Carrier Hub 86 T	1	(B) (H=66 mm)	●				
4	355 354 2809	Carrier Hub 75 T	1	(C) (H=40 mm)	●				
4	355 354 2709	Carrier Hub 75 T	1	(C) (H=66 mm)	●				
5	000472 240000	Snap Ring 240x5,0 mm	1	Old Type	●				
5	346 994 0439	Snap ring	1		●				
6	355 354 0312	Crown Gear 56 T	1	(A) Old Type (H=79 mm)	●				
6	355 354 1212	Crown Gear 56 T	1	(A) (H=71,5 mm)	●				
6	346 354 0512	Crown Gear 56 T	1	(A) Old Type (H=89 mm)	●				
6	355 354 1312	Crown Gear 56 T	1	(A) (H=81,5 mm)	●				
6	346 354 3712	Crown Gear 56 T	1	(A) (H=91,5 mm)	●				
6	355 354 2712	Crown Gear 86 T	1	(B) (H=91,5 mm)	●				
6	355 354 3012	Crown Gear 75 T	1	(C) (H=91,5 mm)	●				
6	355 354 3212	Crown Gear 75 T	1	(C) Latest Type	●				
7	355 354 0317	Sun Gear 19 T/34 Spl	1	(A) (H=35 mm)	●				
7	346 354 0517	Sun Gear 19 T/40 Spl	1	(A) (H=45 mm)	●				
7	346 354 4117	Sun Gear 19 T/41 Spl	1	(A) (H=55 mm)	●				
7	305 354 0317	Sun Gear 19 T-34 Spl	1	(A) Bus Version	●				
7	355 354 2117	Sun Gear 29 T/34 Spl	1	(B) (H=55 mm)	●				
7	346 354 1917	Sun Gear 29 T/40 Spl	1	(B) (H=55 mm)	●				
7	355 354 2717	Sun Gear 25 T/34 Spl	1	(C) (H=55 mm)	●				
7	346 354 2517	Sun Gear 25 T/40 Spl	1	(C) (H=55 mm)	●				
7	355 354 3617	Sun Gear 25 T-34 Spl	1	(C) Latest Type	●				
8	355 350 0354	Differential Gear Kit 18 T	1	(A) (H=34 mm)	●				
8	346 350 0554	Differential Gear Kit 18 T	1	(A) (H=44 mm)	●				
8	656 350 0054	Differential Gear Kit	1	(A) (H=54 mm)	●				
8	305 350 0454	Differential Gear Kit 18 T	1	(A) Bus Version	●				
8	651 350 0054	Differential Gear Kit 28 T	1	(B) (H=54 mm)	●				
8	355 350 0454	Differential Gear Kit 28 T	1	(C) (H=51 mm)	●				
8	652 350 0254	Differential Gear Kit	1	(C) Latest Type	●				
9	CEI 135116	Flange	1	(A)	●				

Notes

(A - B - C) To be coupled together




Date

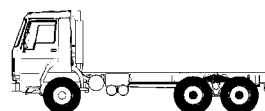
04 / 2011

Table**0720**

Adattabile a : **MERCEDES**

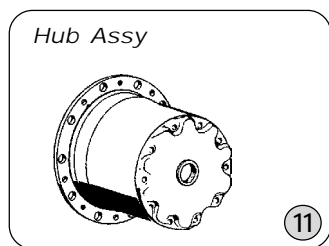
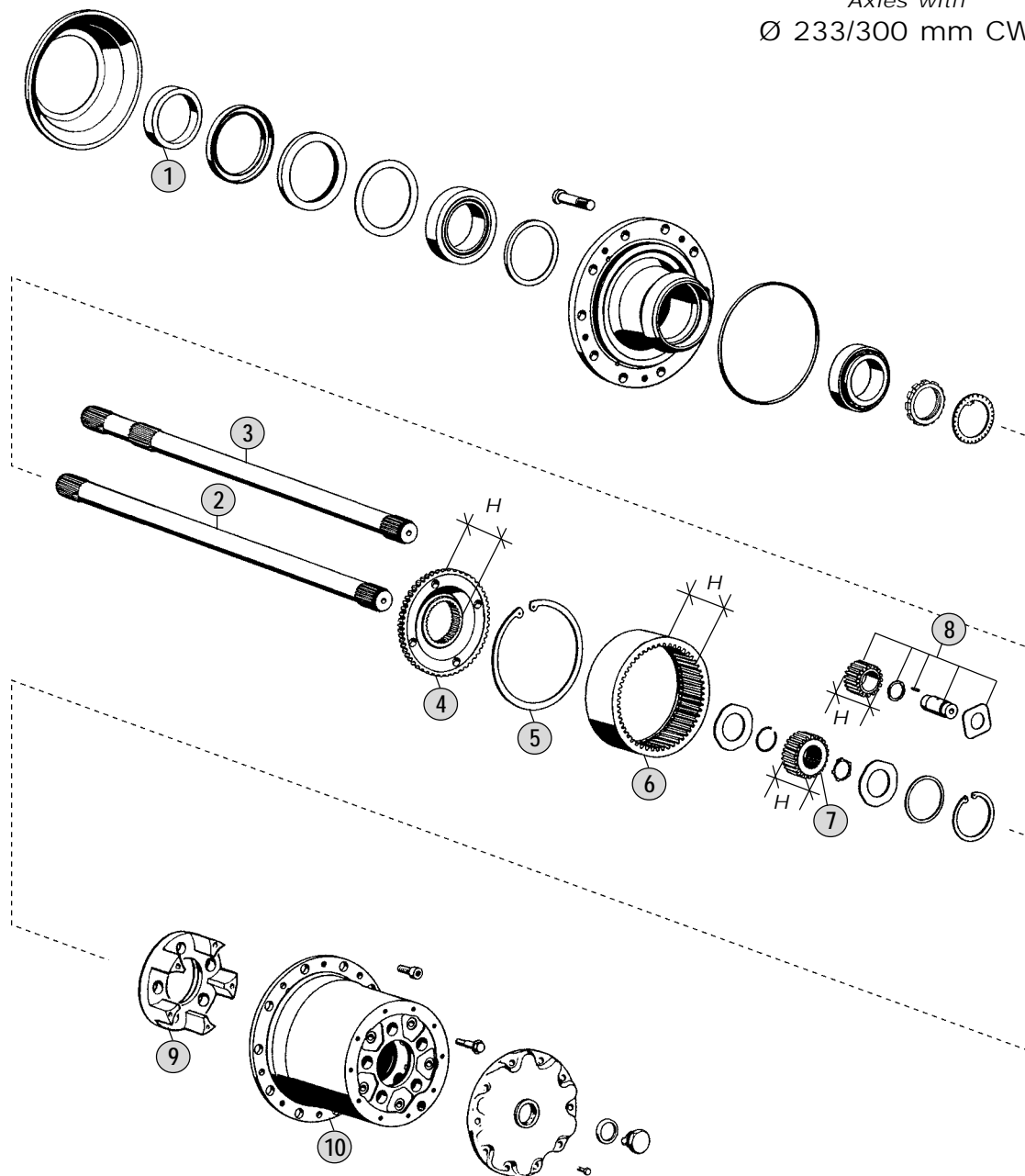
**HD7-9 / H7-9** 13120 - 16120

		+		+	
(A)	Z 56		Z 56		Z 19
(B)	Z 86		Z 86		Z 29
(C)	Z 75		Z 75		Z 25



**HD7 - HL7**  
Axles with

Ø 233/300 mm CWP



**Models**

HD7 - HD4 (Intermediate) - HL7 - HO7 (Rear)

From 740.000 To 740.079 - From 748.990 To 740.999 - From 740.500 To 740.550

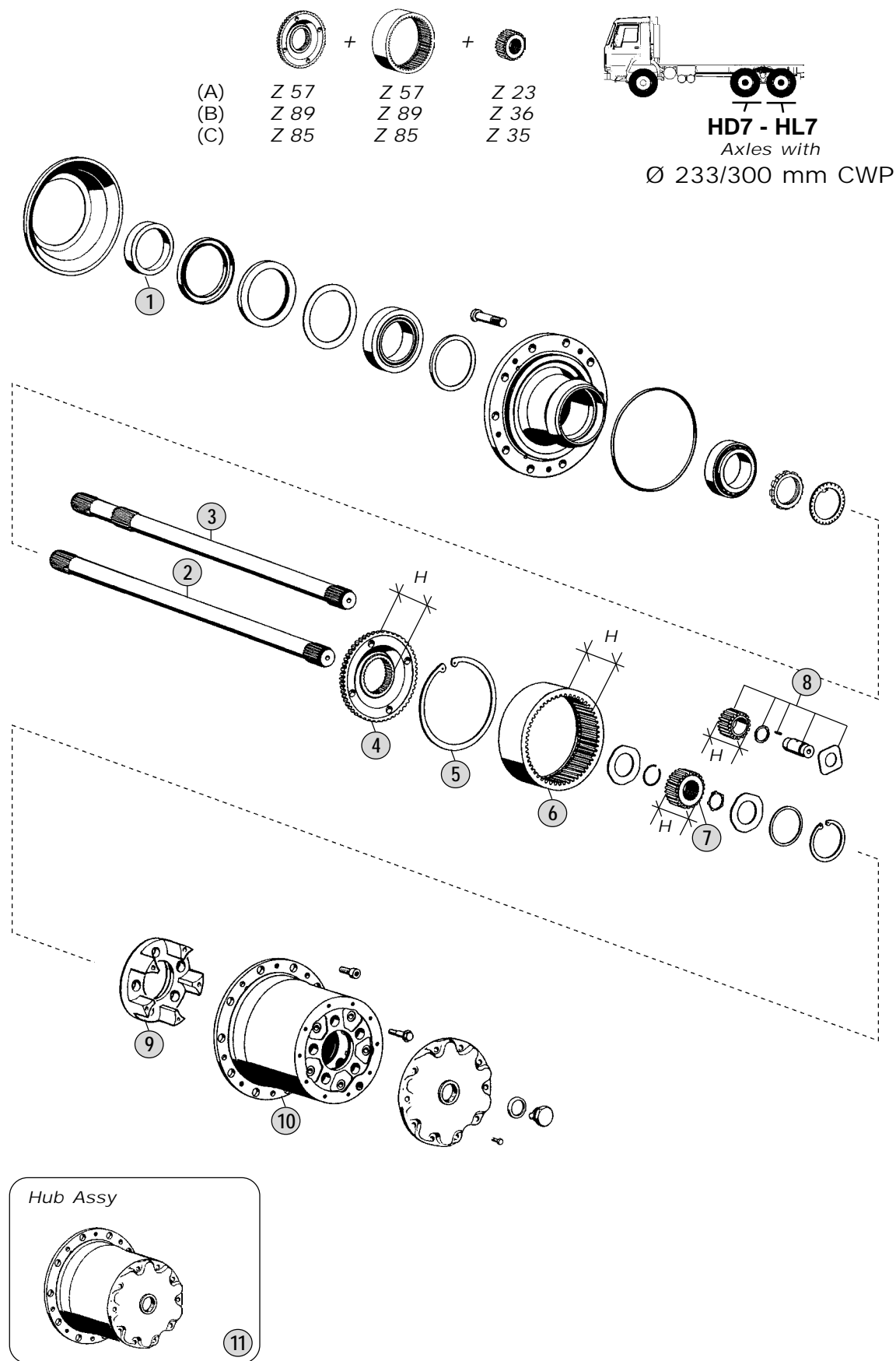
745.700/702/730/732/736/738/739/741/893/895/897/898 - 748.261/263/271/273/275 (Int.)

From 740.100 To 740.399 - From 740.950 To 740.999- From 748.400 To 748.526 (Rear)



Adattabile a : **MERCEDES**  
 Suitable To :

Hubs for Intermediate And Rear Axle  
**HD7-9 / H7-9** 13120 - 16120



#### Models

HD7 - HD4 (Intermediate) - HL7 - HO7 (Rear)

From 740.000 To 740.079 - From 748.990 To 740.999 - From 740.500 To 740.550

745.700/702/730/732/736/738/739/741/893/895/897/898 - 748.261/263/271/273/275 (Int.)

From 740.100 To 740.399 - From 740.950 To 740.999 - From 748.400 To 748.526 (Rear)

Fig.	CEI	Rif. MB	Description	Q.ty	Note	HD7 - H7-9				
1		355 356 1215	Thrust Ring	1		●				
1		346 356 1415	Thrust Ring	1		●				
2		355 357 0701	Drive Shaft W/out lock L=1090 mm	1	(A) 34 Spl	●				
2		658 357 0601	Drive Shaft W/out lock	1	(A) 34 Spl	●				
2		659 357 1001	Drive Shaft W/out lock L=1103 mm	1	(BC) 34 Spl	●				
2		658 357 0801	Drive Shaft W/out lock L=1108 mm	1	(BC) 40 Spl	●				
3		346 357 1801	Drive Shaft W/lock L=1098 mm	0	(A) 34 Spl	●				
3		658 357 0901	Drive Shaft W/lock L=1108 mm	1	(BC) 40 Spl	●				
4		346 354 0909	Carrier Hub 57 T	1	(A) Old Type (H=40 mm)	●				
4		346 354 3109	Carrier Hub 57 T	1	(A) (H=40 mm)	●				
4		346 354 1109	Carrier Hub 57 T	1	(A) Old Type (H=66 mm)	●				
4		346 354 3009	Carrier Hub 57 T	1	(A) (H=66 mm)	●				
4		346 354 4309	Carrier Hub 89 T	1	(B) (H=40 mm)	●				
4		346 354 4209	Carrier Hub 89 T	1	(B) (H=66 mm)	●				
4		346 354 5809	Carrier Hub 85 T	1	(C) (H=40 mm)	●				
4		346 354 5709	Carrier Hub 85 T	1	(C) (H=66 mm)	●				
5		000472 230000	Snap ring	1	Old Type	●				
5		346 994 0439	Snap ring	1		●				
6		355 354 0412	Crown Gear 57 T	1	(A) Old Type (H=79 mm)	●				
6		355 354 1512	Crown Gear 57 T	1	(A) (H=71,5 mm)	●				
6		346 354 0412	Crown Gear 57 T	1	(A) Old Type (H=89 mm)	●				
6		346 354 1412	Crown Gear 57 T	1	(A) (H=81,50 mm)	●				
6		346 354 2612	Crown Gear 89 T	1	(B) (H=91,50 mm)	●				
6		346 354 4312	Crown Gear 85 T	1	(C) (H=91,50 mm)	●				
6		346 354 4412	Crown Gear 85 T	1	(C) Latest Version	●				
7		355 354 0417	Sun Gear 23 T/34 Spl	1	(A) (H=35 mm)	●				
7		346 354 0417	Sun Gear 23 T/40 Spl	1	(A) (H=45 mm)	●				
7		305 354 0217	Sun Gear 23 T-34 Spl	1	(A) Bus Version	●				
7		355 354 1817	Sun Gear 36 T/34 Spl	1	(B) (H=55/45 mm)	●				
7		346 354 1717	Sun Gear 36 T/40 Spl	1	(B) (H=55 mm)	●				
7		355 354 2517	Sun Gear 35 T/34 Spl	1	(C) (H=55 mm)	●				
7		346 354 2417	Sun Gear 35 T/40 Spl.	1	(C) (H=55 mm)	●				
7		355 354 3517	Sun Gear 35 T-34 Spl	1	(C) Latest Version	●				
8		355 350 0254	Planetary Gear Set 17 T	1	(A) (H=34 mm)	●				
8		346 350 0654	Planetary Gear Set 17 T	1	(A) (H=44 mm)	●				
8		305 350 0354	Planetary Gear Set 17 T	1	(A) Bus Version	●				
8		653 350 0054	Planetary Gear Set 26 T	1	(B) (H=54 mm)	●				
8		652 350 0054	Planetary Gear Set 24 T	1	(C) (H=54 mm)	●				
8		653 350 0254	Planetary Gear Set 25 T	1	(C) Latest Version	●				
9		CEI 135116	Flange	1	(A)	●				
9		346 350 7533A	Flange	1	(BC)	●				
9		346 350 9133A	Flange	1	(C) Latest Version	●				
10		346 350 1533	Hub Empty	1	(A)	●				
10		346 350 3033	Hub Empty	1	(A)	●				
10		355 350 3433	Hub Empty	1	(A)	●				

Notes

(A - B - C) To be coupled together

Date

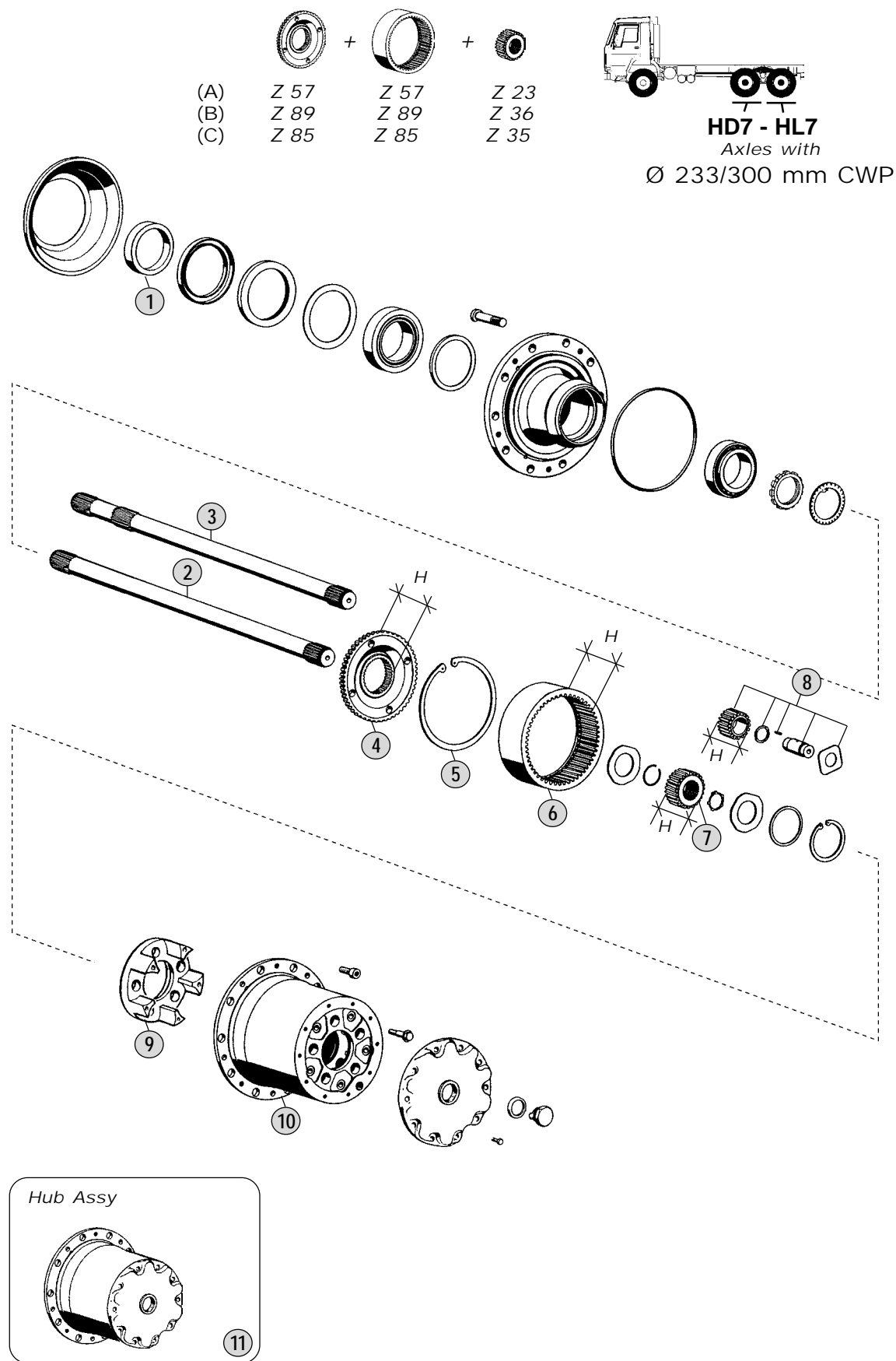
04 / 2011

Table**0730**



Adattabile a : **MERCEDES**  
 Suitable To :

Hubs for Intermediate And Rear Axle  
**HD7-9 / H7-9** 13120 - 16120



#### Models

HD7 - HD4 (Intermediate) - HL7 - HO7 (Rear)

From 740.000 To 740.079 - From 748.990 To 740.999 - From 740.500 To 740.550

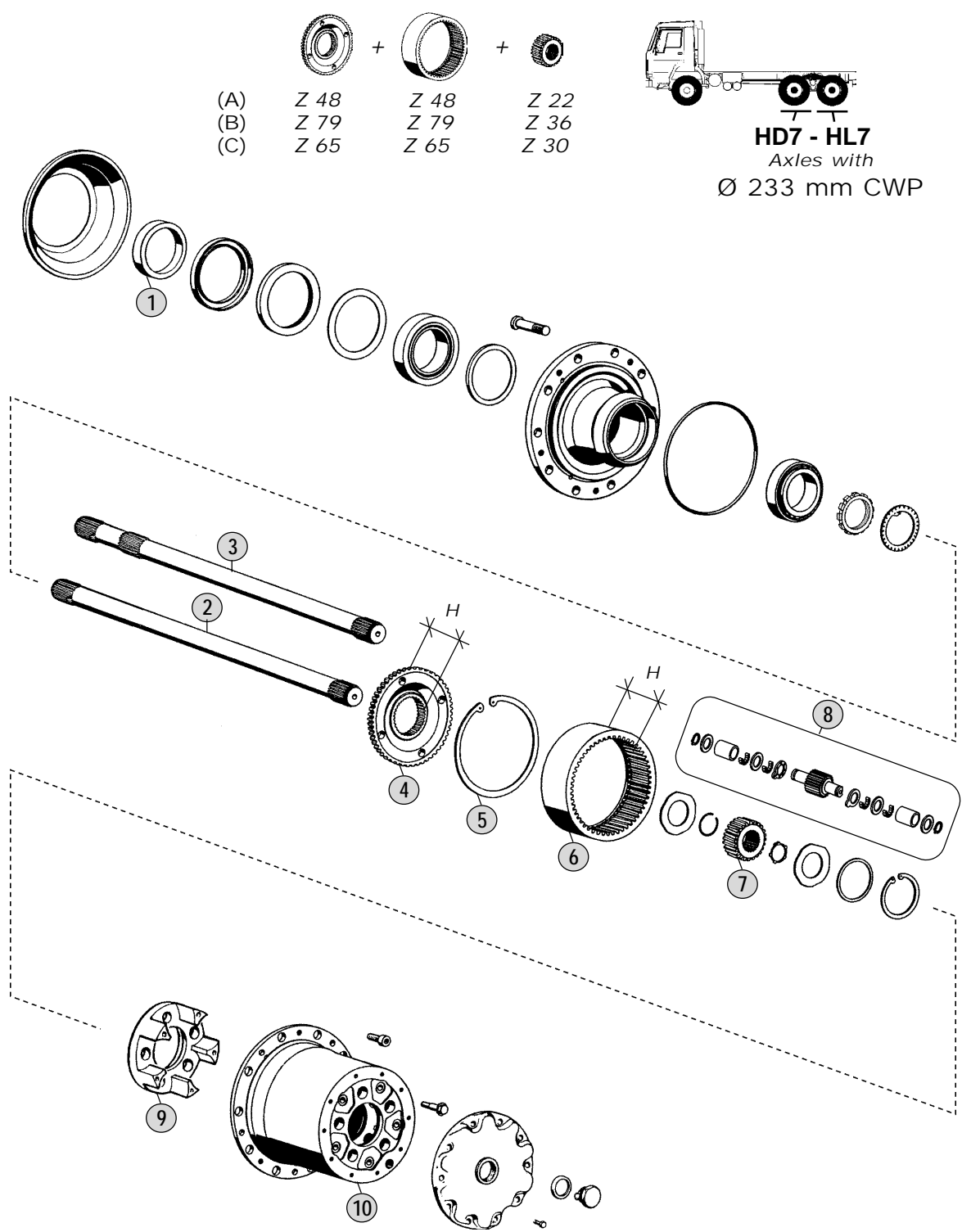
745.700/702/730/732/736/738/739/741/893/895/897/898 - 748.261/263/271/273/275 (Int.)

From 740.100 To 740.399 - From 740.950 To 740.999 - From 748.400 To 748.526 (Rear)

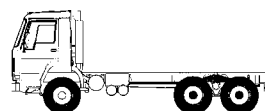


Adattabile a : **MERCEDES**

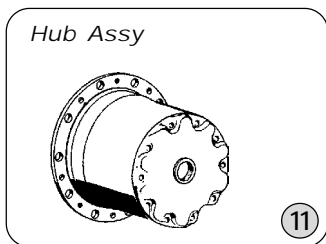
**HD7-9 / H7-9** 13120 - 16120



		+		+	
(A)	Z 48		Z 48		Z 22
(B)	Z 79		Z 79		Z 36
(C)	Z 65		Z 65		Z 30



**HD7 - HL7**  
 Axles with  
 Ø 233 mm CWP



**Models**

HD7 - HD4 (Intermediate) - HL7 - HO7 (Rear)

From 740.000 To 740.079 - From 748.990 To 740.999 - From 740.500 To 740.550

745.700/702/730/732/736/738/739/741/893/895/897/898 - 748.261/263/271/273/275 (Int.)

From 740.100 To 740.399 - From 740.950 To 740.999- From 748.400 To 748.526 (Rear)



