

Fig.	Oem No	Oem Old No	Pcs	Description	Sizes	Notes	SG 13.80-0.84
1	1312 302 064		1	COVER	L= 80 D=68	A	◆
2	1312 302 036		1	COVER	L=170 D=60	B	◆
3	0734 310 387		1	OIL SEAL	55X75X8mm		◆
4	1295 202 041		1	OIL PUMP			◆
5	1295 307 479		1	COVER			◆
6	1295 307 434		1	COVER			◆
7	1312 301 020	(1312 301 006)	1	HOUSING		A	◆
7	1312 301 021	(1312 301 007)	1	HOUSING		B	◆
7	1312 301 026		1	HOUSING		C	◆
8	1499 298 135		1	SIPLIT RING KIT	4.30mm	(1)	◆
8	1499 298 133		1	SIPLIT RING KIT	4.20mm	(2)	◆
8	1499 298 131		1	SIPLIT RING KIT	4.10mm	(3)	◆
8	1499 298 129		1	SIPLIT RING KIT	4.00mm	(4)	◆
8	1499 298 127		1	SIPLIT RING KIT	3.90mm	(5)	◆
8	1499 298 125		1	SIPLIT RING KIT	3.80mm	(6)	◆
9	0730 061 816		1	RETAINING RING			◆
10	0730 106 168		2	SIPLIT RING	4.30mm		◆
10	0730 106 166		2	SIPLIT RING	4.20mm		◆
10	0730 106 164		2	SIPLIT RING	4.10mm		◆
10	0730 106 162		2	SIPLIT RING	4.00mm		◆
10	0730 106 160		2	SIPLIT RING	3.90mm		◆
10	0730 106 158		2	SIPLIT RING	3.80mm		◆
11	0730 005 748		1	SHIM	0.90mm		◆
11	0730 005 743		1	SHIM	0.65mm		◆
11	2050 309 066		1	SHIM	0.50mm		◆
11	2050 309 067		1	SHIM	0.30mm		◆
11	0730 005 747		1	SHIM	0.25mm		◆
11	2050 309 068		1	SHIM	0.20mm		◆
11	2001673		1	SHIM	0.10mm		◆
12	0750 117 431		1	ROLLER BEARING	75X150X30.5mm		◆
13	0735 320 950		2	NEEDLE CAGE	93X101X32.5mm		◆
14	1312 302 073		1	CONSTANT GEAR 34 T			◆
15	1312 304 027		1	ENGAGING RING			◆
16	1297 304 484	(1297 304 402)	2	SYNCHRONIZING CONE			◆
17	1310 304 202	(1312 302 057)	1	ENGAGING SLEEVE			◆
		(1310 304 174)					
18	1297 306 120		6	SLIDING PAD			◆
19	1313 312 002		1	G.SHIFT FORK			◆
20	1315 312 047		2	SCREW	M12X1.0mm		◆
21	1312 312 008		1	G.SHIFT RAIL			◆
22	0634 313 671		1	O-RING	80.0X3.0mm		◆

NOTES :

ABCD alfabetic letters are used in conjunction with the encoded parts.

Alphabetical Coding has been done according to Input Shaft

(1) This kit includes [1499 298 135] = 2pcs 0730 106 168 + 1pcs 0730 061 816

(2) This kit includes [1499 298 133] = 2pcs 0730 106 166 + 1pcs 0730 061 816

(3) This kit includes [1499 298 131] = 2pcs 0730 106 164 + 1pcs 0730 061 816

(4) This kit includes [1499 298 129] = 2pcs 0730 106 162 + 1pcs 0730 061 816

(5) This kit includes [1499 298 127] = 2pcs 0730 106 160 + 1pcs 0730 061 816

(6) This kit includes [1499 298 125] = 2pcs 0730 106 158 + 1pcs 0730 061 816

16 S 220/A

GEARBOX 16S220A

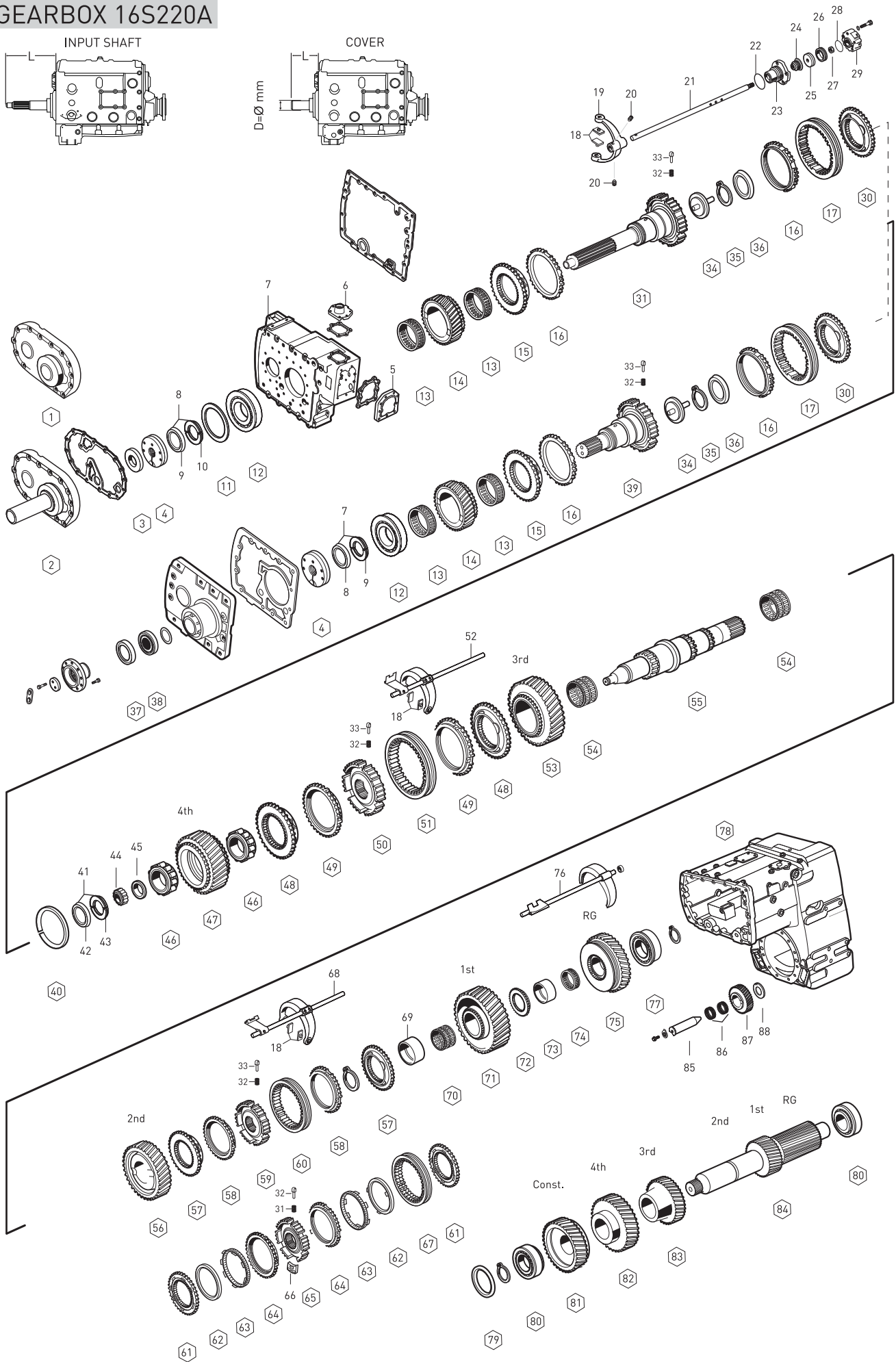


Fig.	Oem No	Oem Old No	Pcs	Description	Sizes	Notes	SG 13.80-0.84
23	1296 312 042	(1296 312 016)	1	CYLINDER			◆
24	0750 112 034		1	FLANGE PACKING	25.0X38.0X14.2mm		◆
25	1312 312 003	(1296 312 056)	1	PISTON			◆
26	0750 112 089		1	DOUBLE PACKING	53.0X63.0X16.2mm		◆
27	0737 006 095		1	NUT	M16X1.5mm		◆
28	0634 314 018		1	O-RING	59.0X2.0mm		◆
29	0750 132 032		1	5/2 WAY VALVE		AC	◆
29	1295 212 009	(0501 204 597)	1	5/2 WAY VALVE		B	◆
30	1312 304 056		1	ENGAGING RING			◆
31	1312 202 035	(1312 202 032)	1	INPUT SHAFT	L=320 SAE 2	A	◆
31	1312 202 037	(1312 202 026)	1	INPUT SHAFT	L=320 SAE 2	B	◆
31	1312 202 040	(1312 202 027)	1	INPUT SHAFT		C	◆
32	0732 040 409		9	SPRING			◆
33	1297 304 436		9	PRESSURE PIECE			◆
34	1315 302 196		1	OIL PIPET			◆
35	0630 502 027		1	RETANING RING	472/50X2mm		◆
36	0501 314 060		1	OIL SEAL			◆
37	0734 319 276		1	OIL SEAL	75X105X14mm	D	◆
38	0750 117 312		1	ROLLER BEARING	50.8X104.7X30.1mm	D	◆
39	1312 202 041	(1312 202 031)	1	INPUT SHAFT (Short Type)		D	◆
40	0730 005 468		1	RING	4.00mm		◆
40	0730 005 466		1	RING	3.60mm		◆
41	1499 298 027		1	SIPLIT RING KIT	5.00mm	(7)	◆
41	1499 298 026		1	SIPLIT RING KIT	4.90mm	(8)	◆
41	2001580		1	SIPLIT RING KIT	4.85mm	(9)	◆
41	1499 298 025		1	SIPLIT RING KIT	4.80mm	(10)	◆
41	1499 298 024		1	SIPLIT RING KIT	4.70mm	(11)	◆
41	1499 298 023		1	SIPLIT RING KIT	4.60mm	(12)	◆
42	0730 062 781		1	RETAINING RING			◆
43	0730 107 023		2	SIPLIT RING	5.00mm		◆
43	0730 107 022		2	SIPLIT RING	4.90mm		◆
43	2001581		2	SIPLIT RING	4.85mm		◆
43	0730 107 021		2	SIPLIT RING	4.80mm		◆
43	0730 107 020		2	SIPLIT RING	4.70mm		◆
43	0730 107 019		2	SIPLIT RING	4.60mm		◆
44	0750 117 232		1	ROLLER BEARING	42X40.3mm		◆
45	1315 304 048		1	THRUST WASHER	8.00mm		◆
45	1315 304 047		1	THRUST WASHER	7.90mm		◆
45	1315 304 046		1	THRUST WASHER	7.80mm		◆
46	0750 118 258		2	ROLLER BEARING	67X101X38mm		◆
47	1312 304 032		1	GEAR 4th 30 T		ABCD	◆

NOTES :

ABCD alfabetic letters are used in conjunction with the encoded parts.

Alphabetical Coding has been done according to Input Shaft

(7) This kit includes (1499 298 027) = 2pcs 0730 107 023 + 1pcs 0730 062 781

(8) This kit includes (1499 298 026) = 2pcs 0730 107 022 + 1pcs 0730 062 781

(9) This kit includes (2001580) = 2pcs 2001581 + 1pcs 0730 062 781

(10) This kit includes (1499 298 025) = 2pcs 0730 107 021 + 1pcs 0730 062 781

(11) This kit includes (1499 298 024) = 2pcs 0730 107 020 + 1pcs 0730 062 781

(12) This kit includes (1499 298 023) = 2pcs 0730 107 019 + 1pcs 0730 062 781

GEARBOX 16S220A

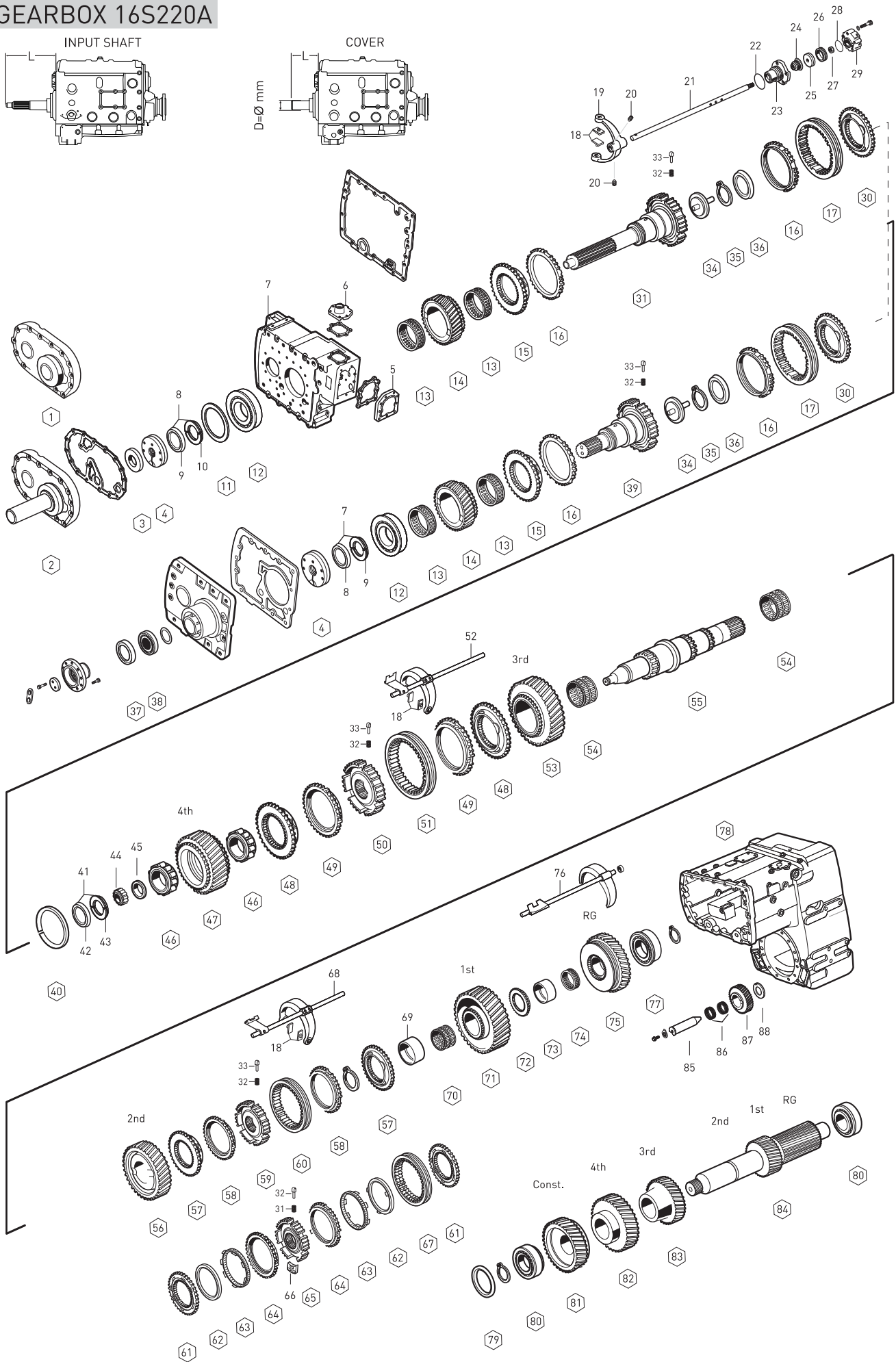


Fig.	Oem No	Oem Old No	Pcs	Description	Sizes	Notes	SG 13.80-0.84
47	1312 304 031		1	GEAR 4th 34 T		BD	◆
48	1316 304 159	(1316 304 145)	2	ENGAGING RING			◆
49	1316 304 168	(1316 304 149)	2	SYNCHRONIZING CONE			◆
50	1316 304 162		1	GUIDE SLEEVE			◆
51	1316 304 167	(1315 304 135)	1	ENGAGING SLEEVE			◆
52	1312 206 036		1	GEAR SHIT FORK 3rd/4th		AB	◆
52	1312 206 046		1	GEAR SHIT FORK 3rd/4th		C	◆
53	1312 304 137		1	GEAR 3rd 32 T		ABCD	◆
53	1312 304 136		1	GEAR 3rd 34 T		BD	◆
54	0750 115 303		2	NEEDLE CAGE	92X100X63mm		◆
55	1312 304 133		1	MAIN SHAFT		ABCD	◆
56	1312 304 141		1	GEAR 2nd 37 T		ABCD	◆
56	1312 304 139		1	GEAR 2nd 38 T		BD	◆
57	1316 304 156		2	ENGAGING RING		C	◆
58	1316 304 170	(1316 304 150)	2	SYNCHRONIZING CONE		C	◆
59	1316 304 163		1	GUIDE SLEEVE		C	◆
60	1316 304 169	(1315 304 136)	1	ENGAGING SLEEVE		C	◆
61	1312 304 106		2	ENGAGING RING		ABD	◆
62	1268 304 424		2	SYNCHRONIZING CONE		ABD	◆
63	1268 304 494	(1268 304 491)	2	INTERMEDIATE CONE		ABD	◆
64	1268 304 525		2	SYNCHRONIZING CONE		ABD	◆
65	1312 304 158		1	GUIDE SLEEVE		ABD	◆
66	1312 304 159		3	SLIDING BLOCK		ABD	◆
67	1310 304 175	(1312 304 157)	1	ENGAGING SLEEVE		ABD	◆
68	1312 206 034		1	GEAR SHIT FORK 1st/2nd		AB	◆
68	1312 206 040		1	GEAR SHIT FORK 1st/2nd		C	◆
69	1312 304 084		1	BEARING RACE			◆
70	0750 115 327		1	NEEDLE CAGE	96X104X72mm		◆
71	1312 304 086		1	GEAR 1st 44 T		ABCD	◆
71	1312 304 085		1	GEAR 1st 47 T		BD	◆
72	1312 304 083		1	HUB			◆
73	1316 304 133	(1312 304 082)	1	BEARING RACE			◆
74	0750 115 326		1	NEEDLE CAGE	90X98X50mm		◆
75	1312 304 088		1	REVERSE GEAR 39 T		ABCD	◆
75	1312 304 087		1	REVERSE GEAR 38 T		BD	◆
76	1312 206 028		1	GEAR SHIT FORK/RG		AB	◆
76	1312 206 033		1	GEAR SHIT FORK/RG		C	◆
77	0750 117 678		1	ROLLER BEARING	80X140X36.5mm		◆
78	1312 301 082	(1312 301 053)	1	HOUSING			◆
79	0730 106 917		1	SHIM	3.00mm		◆
79	0730 106 909		1	SHIM	2.60mm		◆

NOTES :

ABCD alfabetic letters are used in conjunction with the encoded parts.
 Alphabetical Coding has been done according to Input Shaft

16 S 220/A

GEARBOX 16S220A

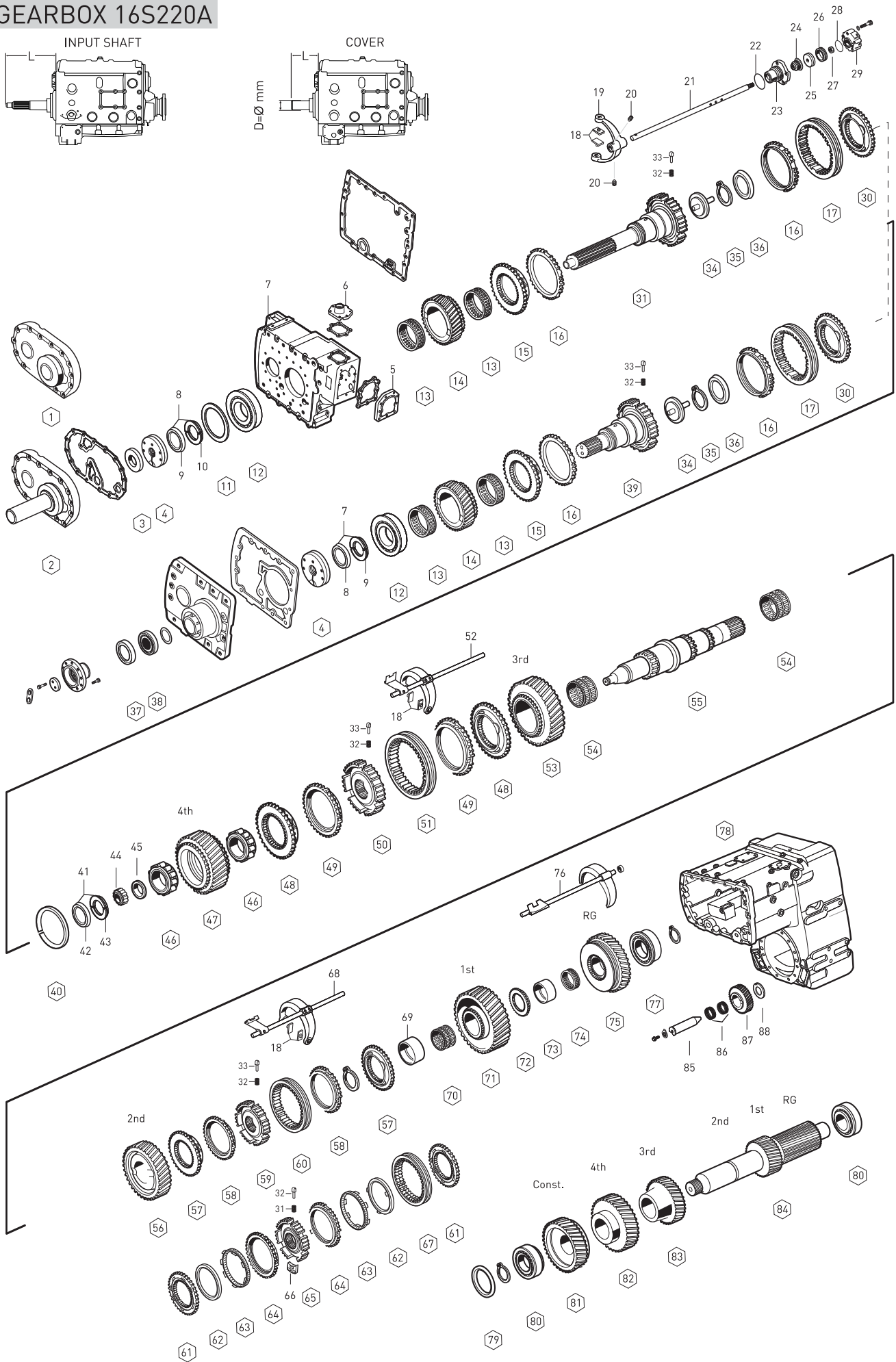


Fig.	Oem No	Oem Old No	Pcs	Description	Sizes	Notes
79	0730 101 467		1	SHIM	2.20mm	
79	0730 106 905		1	SHIM	1.85mm	
79	2001678		1	SHIM	0.30mm	
79	2001679		1	SHIM	0.20mm	
79	2001680		1	SHIM	0.10mm	
80	0750 117 009		2	ROLLER BEARING	49.2X103.1X43.6mm	
81	1312 303 006		1	CONSTANT GEAR 37 T		ABCD
81	1312 303 005		1	CONSTANT GEAR 39 T		BD
82	1312 303 017		1	GEAR 4th 39 T		ABCD
82	1312 303 016		1	GEAR 4th 37 T		BD
83	1312 303 020		1	GEAR 3rd 28 T		ABCD
83	1312 303 021		1	GEAR 3rd 26 T		BD
84	1312 303 009		1	COUNTER SHAFT 19-23 T		ABCD
84	1312 303 008		1	COUNTER SHAFT 17-20 T		BD
85	1297 305 008	(1297 305 005)	1	PIN		
86	0750 115 255		2	NEEDLE CAGE	45.0X53.0X25.0mm	
87	1297 305 012		1	REV.IDLER GEAR		
87	1297 305 011		1	REV.IDLER GEAR		
88	0730 150 064		1	THRUST WASHER		

NOTES _____:

ABCD alfabetic letters are used in conjunction with the encoded parts.
 Alphabetical Coding has been done according to Input Shaft

GEARBOX 16S220 A

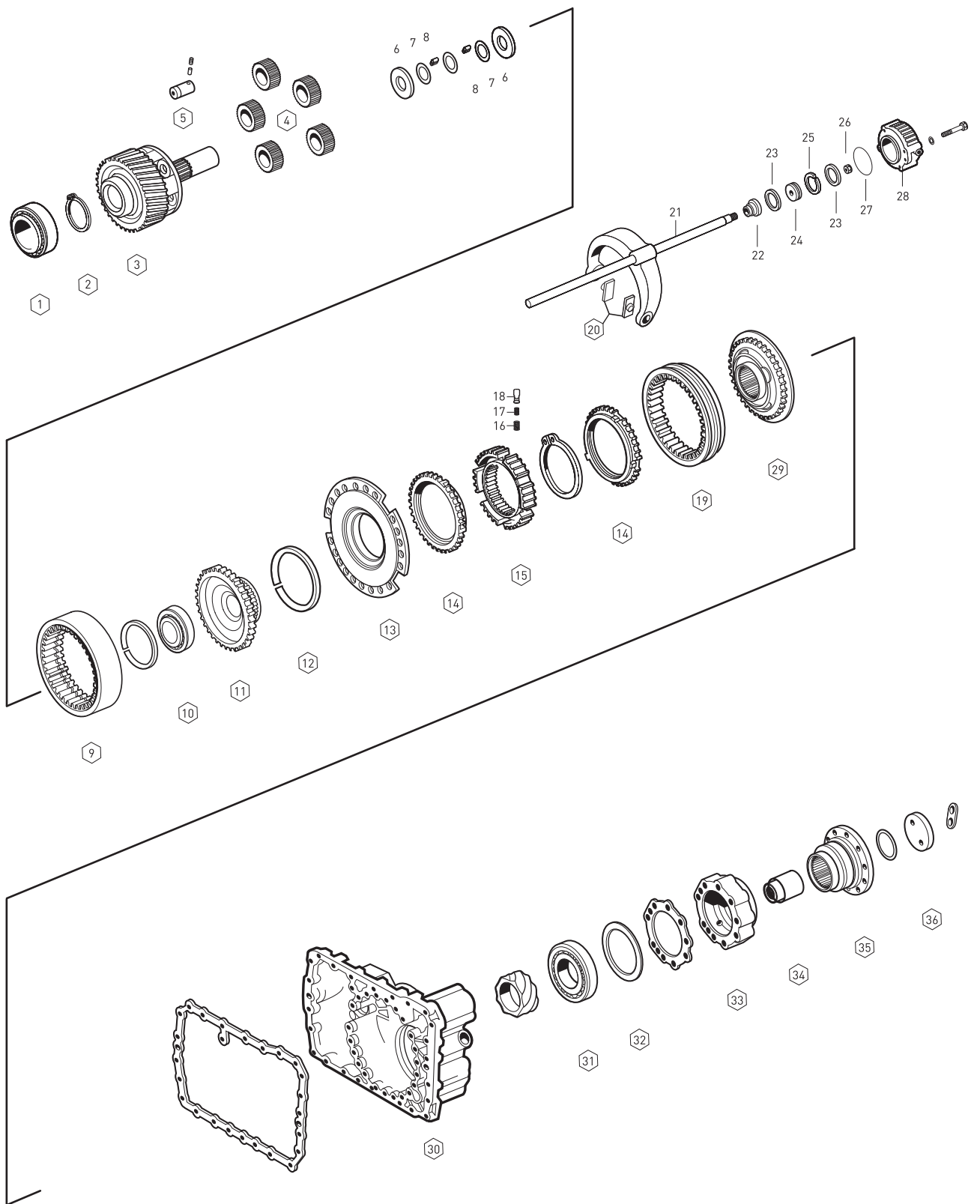


Fig.	Oem No	Oem Old No	Pcs	Description	Sizes	Notes
1	0735 410 110		1	ROLLER BEARING	110X200X38mm	
2	0630 501 058		1	RETAINING RING	471/110X4mm	
3	1312 232 025	(1312 232 017)	1	PLANETARY CARRIER		
4	1312 232 014		5	PLANETARY GEAR SET		
5	1312 332 026		5	PLANET SHAFT		
6	0501 308 981		10	THRUST WASHER		
7	0730 107 168		15	THRUST WASHER		
8	0750 119 116		140	NEEDLE ROLLER	10X16.8mm	
9	1295 332 086		1	RING WHEEL 86 T		
10	0635 338 035		1	ROLLER BEARING	100X125X13mm	
11	1297 332 120		1	CARRIER HUB 86 T		
12	0730 505 056	(0730 505 055)	1	SPRING RING	3.20mm	
13	1296 233 006		1	FLANGE		
14	1296 333 045	(1296 333 022)	2	SYNCHRONIZING CONE		
15	1297 333 115		1	GUIDE SLEEVE		
16	0732 040 385		9	SPRING		
17	0732 040 386		9	SPRING		
18	1240 304 278		9	PRESSURE PIECE		
19	1296 333 023		1	ENGAGING SLEEVE		
20	1296 334 004		2	SLIDING PAD		
21	1297 234 021		1	GEAR SHIFT FORK		
22	0750 112 034		1	FLANGE PACKING	25.0X38.0X14.2mm	
23	0750 112 097		2	SEALING RING		
24	1297 334 056		1	PISTON		
25	0750 112 096		1	GUIDE RING		
26	0737 006 095		1	NUT	M16X1.5mm	
27	0634 313 520		1	O-RING	96.0X3.0mm	
28	1297 334 055		1	CYLINDER		
29	1297 233 056		1	ENGAGING RING		
30	1313 301 008		1	HOUSING		
30	1313 301 009		1	HOUSING		
31	0750 116 002		1	ROLLER BEARING	90X160X30mm	
32	0730 100 115		1	SHIM	0.30mm	
32	0730 100 116		1	SHIM	0.20mm	
32	2001660		1	SHIM	0.10mm	
33	1312 301 037		1	BEARING COVER		
34	1312 332 033		1	BUSHING		
35	1297 338 041		2	COMPANION FLANGE	4-H, Ø180mm	
35	1297 338 010		2	COMPANION FLANGE	10-H, Ø180mm	
36	1312 332 028		1	WASHER		

NOTES :

SG 13.80-0.84

16 S 220/A

GEARBOX 16S220 A

SYNCHRONIZER KIT CONST.

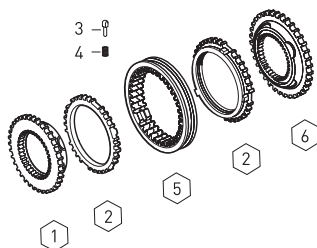


Fig.	. Oem No	Oem Old No	Pcs	Description
	1297 298 955		Kit	SYNCHRONIZER KIT Const
1	1312 304 027		1	ENGAGING RING
2	1297 304 484	(1297 304 402)	2	SYNCHRONIZING CONE
3	1297 304 436		3	PRESSURE PIECE
4	0732 040 409		3	SPRING
5	1310 304 202	(1312 302 057)	1	ENGAGING SLEEVE
		(1310 304 174)		
6	1312 304 056		1	ENGAGING RING

SYNCHRONIZER KIT 3rd/4th/CONST.



Fig.	. Oem No	Oem Old No	Pcs	Description
	1312 204 031		Kit	SYNCH.KIT 3rd/4th/Const.
1	1312 304 027		1	ENGAGING RING
2	1297 304 484	(1297 304 402)	1	SYNCHRONIZING CONE

SYNCHRONIZER KIT 3rd/4th

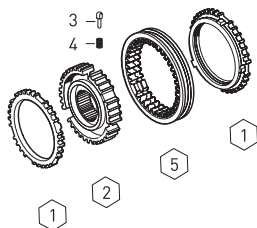


Fig.	o. Oem No	Oem Old No	Pcs	Description
	1316 204 014		Kit	SYNCH.KIT 3rd/4th
1	1316 304 168	(1316 304 149)	2	SYNCHRONIZING CONE
2	1316 304 162		1	GUIDE SLEEVE
3	1297 304 436		3	PRESSURE PIECE
4	0732 040 409		3	SPRING
5	1316 304 167	(1315 304 135)	1	ENGAGING SLEEVE

SYNCHRONIZER KIT 3rd/4th

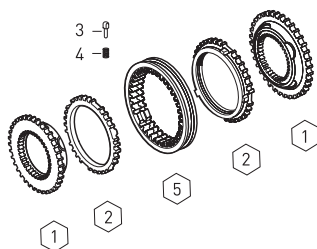


Fig.	. Oem No	Oem Old No	Pcs	Description
	1315 298 030		Kit	SYNCH.KIT 3rd/4th
1	1312 304 027		2	ENGAGING RING
2	1297 304 484	(1297 304 402)	2	SYNCHRONIZING CONE
3	1297 304 436		3	PRESSURE PIECE
4	0732 040 409		3	SPRING
5	1310 304 202	(1312 302 057)	1	ENGAGING SLEEVE
		(1310 304 174)		

SYNCHRONIZER KIT 3rd/4th

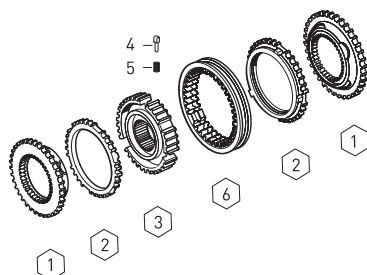


Fig.	. Oem No	Oem Old No	Pcs	Description
	1315 298 061	(1316 204 016)	Kit	SYNCH.KIT 3rd/4th
1	1316 304 159	(1316 304 145)	2	ENGAGING RING
2	1316 304 168	(1316 304 149)	2	SYNCHRONIZING CONE
3	1316 304 162		1	GUIDE SLEEVE
4	1297 304 436		3	PRESSURE PIECE
5	0732 040 409		3	SPRING
6	1316 304 167	(1315 304 135)	1	ENGAGING SLEEVE

Fig.	. Oem No	Oem Old No	Pcs	Description
	1315 298 060	(1316 204 017)	Kit	SYNCH.KIT 1st/2nd
1	1316 304 156		2	ENGAGING RING
2	1316 304 170	(1316 304 150)	2	SYNCH.CONE
3	1316 304 163		1	GUIDE SLEEVE
4	1297 304 436		3	PRESSURE PIECE
5	0732 040 409		3	SPRING
6	1316 304 169	(1315 304 136)	1	ENGAGING SLEEVE

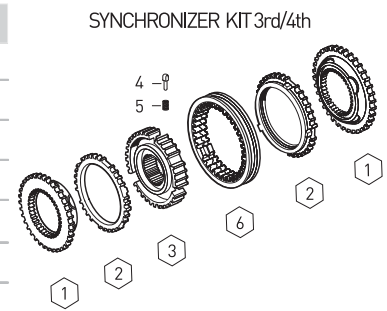


Fig.	. Oem No	Oem Old No	Pcs	Description
	1315 204 006	(1312 298 911)	Kit	SYNCH.KIT 1st/2nd
1	1312 304 106		2	ENGAGING RING
2	1268 304 424		2	SYNCHRONIZING CONE
3	1268 304 494	(1268 304 491)	2	INTERMEDIATE CONE
4	1268 304 525		2	SYNCHRONIZING CONE
5	1312 304 158		1	GUIDE SLEEVE
6	1312 304 159		3	SLIDING BLOCK
7	1297 304 436		3	PRESSURE PIECE
8	0732 040 409		3	SPRING
9	1310 304 175	(1312 304 157)	1	ENGAGING SLEEVE

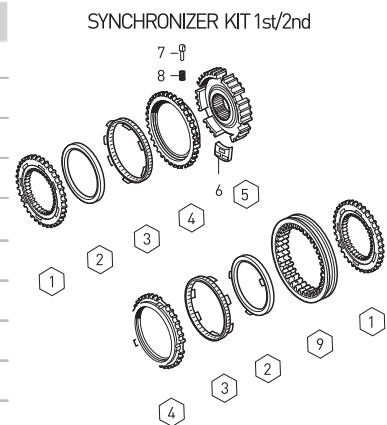


Fig.	. Oem No	Oem Old No	Pcs	Description
	1316 233 017		Kit	SYNCHRONIZER KIT
1	1296 333 045	(1296 333 022)	2	SYNCHRONIZING CONE
2	1297 333 115		1	GUIDE SLEEVE
3	0732 040 385		9	SPRING
4	0732 040 386		9	SPRING
5	1240 304 278		9	PRESSURE PIECE
6	1296 333 023		1	ENGAGING SLEEVE

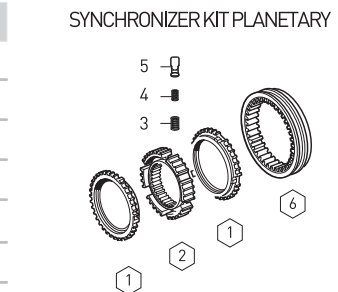
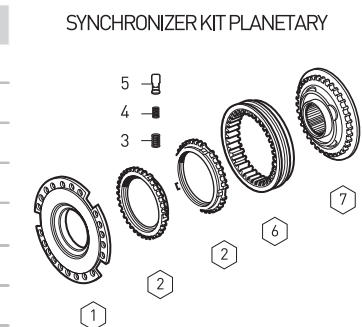


Fig.	. Oem No	Oem Old No	Pcs	Description
	1295 298 962		Kit	SYNCHRONIZER KIT
1	1296 233 006		1	FLANGE
2	1296 333 045	(1296 333 022)	2	SYNCHRONIZING CONE
3	0732 040 385		9	SPRING
4	0732 040 386		9	SPRING
5	1240 304 278		9	PRESSURE PIECE
6	1296 333 023		1	ENGAGING SLEEVE
7	1297 233 056		1	ENGAGING RING



GEARBOX 16S220 A

GEARBOX GASKET KIT

Fig.	. Oem No	Oem Old No	Pcs	Description
1	K20.01584	1295 298 915		GASKET KIT
2		1313 301 038	1	GASKET
3		1313 302 014	1	GASKET
4		1313 306 012	1	GASKET
5		1313 307 002	1	GASKET
5		1313 307 020	2	GASKET
5		1313 307 003	1	GASKET
5		1313 307 004	1	GASKET
5		1313 307 022	1	GASKET
6		1313 301 037	1	GASKET
7		1313 301 036	1	GASKET
8		1238 308 201	1	GASKET
9		1313 307 005	1	GASKET
10		1313 307 006	1	GASKET

P.T.O. (POWERTAKEOFF)

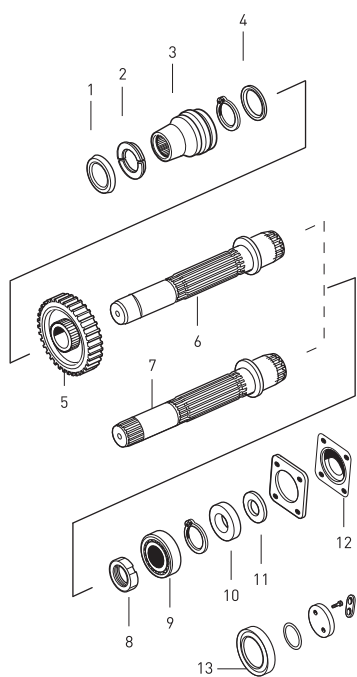


Fig.	. Oem No	Oem Old No	Pcs	Description
1	1296 313 131		1	RETAINING RING
2	0730 104 627		1	SPLIT RING
3	1296 313 238		1	SLIDING SLEEVE
4	0730 104 628		1	THRUST WASHER
5	1296 313 082		1	GEAR 33 T
5	1296 313 083		1	GEAR 36 T
5	1296 313 084		1	GEAR 38 T
5	1296 313 085		1	GEAR 39 T
5	1296 313 086		1	GEAR 46 T
6	1296 213 028		1	INTERM.SHAFT
7	1296 213 028		1	INTERM.SHAFT (Milled)
8	1296 313 125		1	NUT
9	0735 410 139		1	ROLLER BEARING
10	7429 032 102		1	THRUST WASHER
11	1232 304 062		1	SHIM (1.00mm)
11	1232 304 063		1	SHIM (0.90mm)
11	1232 304 072		1	SHIM (0.70mm)
12	1250 313 190		1	COVER
13	0750 111 341		1	OIL SEAL

GEARBOX 16S151

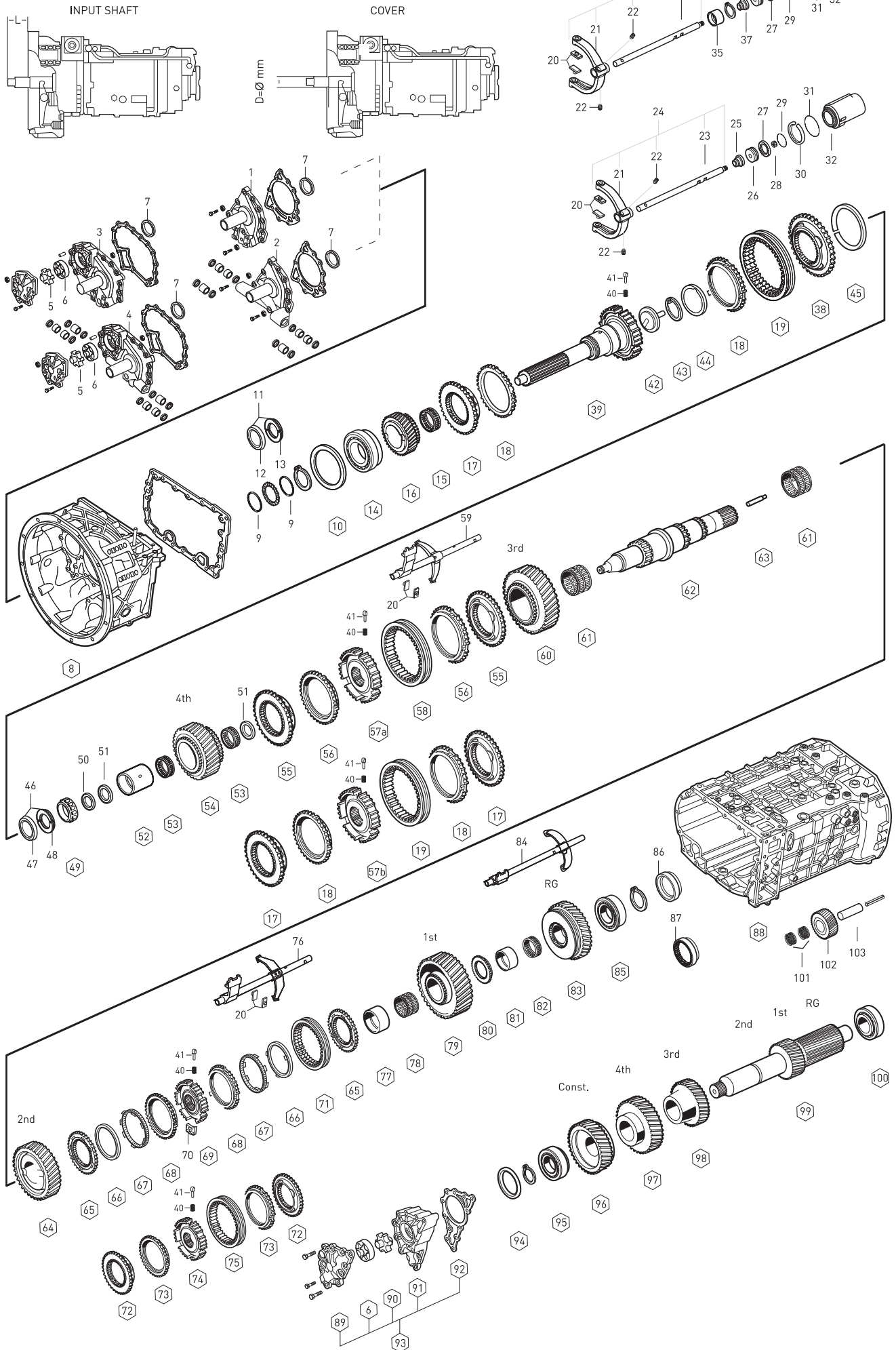


Fig	Oem No	Oem Old No	Pc	Description	Sizes	Notes	SG 13.80-0.84	SG 13.85-0.84	SG 13.86-0.84	DG 16.47-1.00	DG 16.53-1.00
1	1315 302 136	(1315 402 136)	1	COVER	L=7 D=60	BG	◆				
1	1315 302 075	(1315 402 075)	1	COVER	L=7 D=60	B				◆	
2	1315 302 106	(1315 402 106)	1	COVER	L=7 D=66	B			◆		
2	1315 302 193		1	COVER	L=7 D=60	G	◆			◆	
2	1315 302 072	(1315 402 072)	1	COVER	L=3 D=62,6	C	◆	◆		◆	
2	1315 202 060	(4130 306 306)	1	COVER		D	◆		◆		
3	1315 302 045		1	COVER		AF		◆			
4	1315 302 044		1	COVER		AF					◆
5	1315 202 014		1	OIL PUMP GEAR		AF		◆			◆
6	1315 303 027		1	ROTOR				◆			◆
7	0734 310 387		1	OIL SEAL	55X75X8mm	ABCFG (1)	◆	◆	◆	◆	◆
7	0734 310 104		1	OIL SEAL	52X68X8mm	D (2)	◆		◆		
7	0734 319 514		1	OIL SEAL	52X72X8mm	E (3)	◆		◆	◆	
8	1316 201 142	(1316 301 064)	1	HOUSING		BC	◆		◆	◆	
8	1316 201 154	(1316 301 092)	1	HOUSING		D	◆		◆		
8	1315 301 075		1	HOUSING		AF		◆			
8	1315 201 041	(1315 301 079)	1	HOUSING		AF					◆
8	1316 201 149	(1316 301 069)	1	HOUSING		G	◆				
9	0730 150 766		2	THRUST WASHER	3.30mm		◆	◆	◆	◆	◆
10	0730 007 486		1	SHIM	2.00mm		◆	◆	◆	◆	◆
10	0730 007 483		1	SHIM	1.85mm		◆	◆	◆	◆	◆
10	0730 007 479		1	SHIM	1.65mm		◆	◆	◆	◆	◆
10	0730 007 136		1	SHIM	1.60mm		◆	◆	◆	◆	◆
10	0730 007 129		1	SHIM	1.25mm		◆	◆	◆	◆	◆
10	0730 005 748		1	SHIM	0.90mm		◆	◆	◆	◆	◆
10	2050 309 067		1	SHIM	0.30mm		◆	◆	◆	◆	◆
10	0730 005 747		1	SHIM	0.25mm		◆	◆	◆	◆	◆
10	2050 309 068		1	SHIM	0.20mm		◆	◆	◆	◆	◆
10	2001673		1	SHIM	0.10mm		◆	◆	◆	◆	◆
11	1499 298 038		1	SIPLIT RING KIT	4.20mm	(4)	◆				◆
11	1499 298 036		1	SIPLIT RING KIT	4.10mm	(5)	◆				◆
11	1499 298 034		1	SIPLIT RING KIT	4.00mm	(6)	◆				◆
11	1499 298 032		1	SIPLIT RING KIT	3.90mm	(7)	◆				◆
11	1499 298 030		1	SIPLIT RING KIT	3.80mm	(8)	◆				◆
12	0730 062 579		1	RETAINING RING			◆				◆
13	0730 108 147		2	SIPLIT RING	4.20mm		◆				◆
13	0730 108 145		2	SIPLIT RING	4.10mm		◆				◆
13	0730 108 143		2	SIPLIT RING	4.00mm		◆				◆
13	0730 108 141		2	SIPLIT RING	3.90mm		◆				◆
13	0730 108 139		2	SIPLIT RING	3.80mm		◆				◆
14	0750 117 732		1	ROLLER BEARING	85X150X30.5mm		◆		◆	◆	

NOTES _____ :

ABCDEF G alphabetic letters are used in conjunction with the encoded parts.

Alphabetical Coding has been done according to Input Shaft

(1) With input shaft 1315 202 037-1315 202 022 - 1315 202 040 - 1315 202 012 - 1315 202 03

(2) With input shaft 1315 202 048

(3) With input shaft 1315 221 002

(4) This kit includes [1499 298 038] = 2pcs 0730 108 147 + 1pcs 0730 062 579

(5) This kit includes [1499 298 036] = 2pcs 0730 108 145 + 1pcs 0730 062 579

(6) This kit includes [1499 298 034] = 2pcs 0730 108 143 + 1pcs 0730 062 579

(7) This kit includes [1499 298 032] = 2pcs 0730 108 141 + 1pcs 0730 062 579

(8) This kit includes [1499 298 030] = 2pcs 0730 108 139 + 1pcs 0730 062 579

GEARBOX 16S151

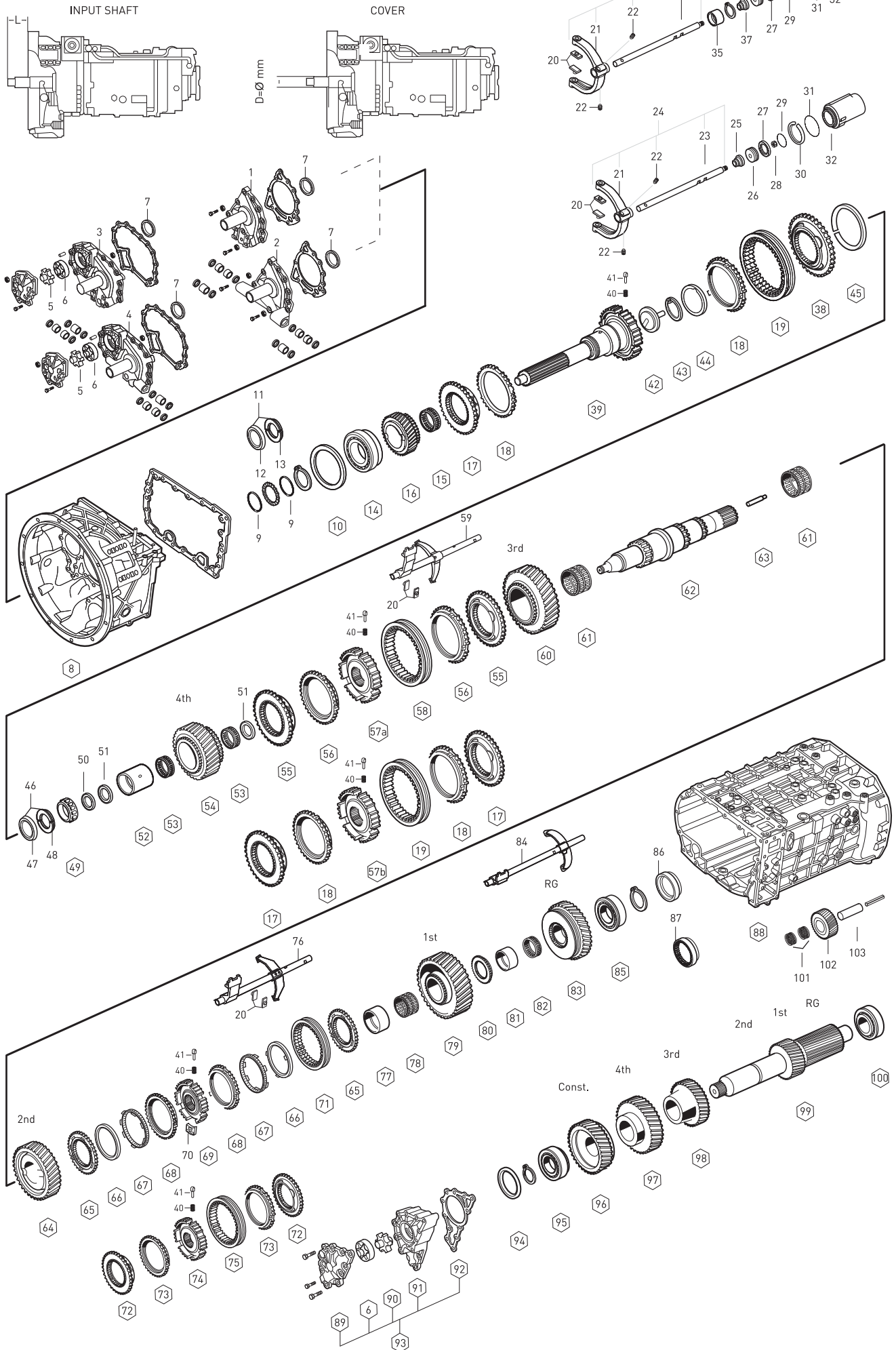


Fig.	Oem No	Oem Old No	Pc	Description	Sizes	Notes	SG 13.80-0.84	SG 13.85-0.84	SG 13.86-0.84	DG 16.47-1.00	DG 16.53-1.00
14	0750 117 431		1	ROLLER BEARING	75X150X30.5mm		◆	◆			◆
15	0735 321 437		2	NEEDLE CAGE	93X101X25mm	(9)		◆			◆
16	1315 302 173		1	CONSTANT GEAR 34 T		BCDEG	◆				
16	1315 302 158		1	CONSTANT GEAR 35 T		BCDEG			◆		
16	1315 302 157		1	CONSTANT GEAR 30T		BCDEG				◆	
16	1315 302 008		1	CONSTANT GEAR 34T		AF		◆			
16	1315 302 007		1	CONSTANT GEAR 30T		AF					◆
17	1312 304 027		1	ENGAGING RING			◆	◆	◆	◆	◆
18	1297 304 484	(1297 304 402)	2	SYNCHRONIZING CONE			◆	◆	◆	◆	◆
19	1310 304 202	(1312 302 057)	1	ENGAGING SLEEVE			◆	◆	◆	◆	◆
		(1310 304 174)									
20	1316 306 015		6	SLIDING PAD			◆	◆	◆	◆	◆
21	1315 312 074		1	G.SHIFT FORK			◆	◆	◆	◆	◆
22	1315 312 047		2	SCREW	M12X1.0mm		◆	◆	◆	◆	◆
23	1315 312 073		1	G.SHIFT RAIL		BCDEG	◆		◆	◆	
24	1315 212 013		1	G.S.FORK and RAIL ASSY.		BCDEG	◆		◆	◆	
25	0750 112 253	(0750 112 131)	1	FLANGE PACKING	25.0X40.0X15.0mm	BCDEG	◆		◆	◆	
26	1312 312 020		1	PISTON			◆	◆	◆	◆	◆
27	0750 112 177		1	DOUBLE PACKING	55.0X63.0X9.4mm		◆	◆	◆	◆	◆
28	0737 006 095		1	NUT	M16X1.5mm		◆	◆	◆	◆	◆
29	0634 313 320		1	O-RING	67.0X3.0mm		◆	◆	◆	◆	◆
30	1315 312 034		1	SPRING			◆	◆	◆	◆	◆
31	0634 313 018		1	O-RING	82.0X3.0mm		◆	◆	◆	◆	◆
32	1315 312 048		1	CYLINDER			◆	◆	◆	◆	◆
33	1315 312 076		1	G.SHIFT RAIL		AF		◆			◆
34	1315 212 011		1	G.S.FORK and RAIL ASSY.		AF		◆			◆
35	0730 260 396		1	BUSHING		AF		◆			◆
36	0630 502 021		1	RETAINING RING		AF		◆			◆
37	0750 112 034		1	FLANGE PACKING	25.0X38.0X14.2mm	AF		◆			◆
38	1312 304 056		1	ENGAGING RING			◆	◆	◆	◆	◆
39	1315 202 012	(1315 302 042)	1	INPUT SHAFT		A		◆			◆
39	1315 202 037	(1315 302 153)	1	INPUT SHAFT	L=109 SAE 2	B	◆		◆	◆	
39	1315 202 040	(1315 302 162)	1	INPUT SHAFT	L=117 SAE 2	C	◆		◆	◆	
39	1315 202 048		1	INPUT SHAFT		D	◆		◆		
39	1315 221 002		1	INPUT SHAFT	L=109 SAE 2	E	◆		◆	◆	
39	1315 202 022	(1315 202 011)	1	INPUT SHAFT	L=109 SAE 2	F		◆			◆
		(1315 302 086)									
39	1315 202 038		1	INPUT SHAFT	L=109 SAE 2	G	◆		◆	◆	
40	0732 040 409		9	SPRING			◆	◆	◆	◆	◆
41	1297 304 436		9	PRESSURE PIECE			◆	◆	◆	◆	◆
42	1315 302 196		1	OIL PIPET			◆	◆	◆	◆	◆

NOTES :

ABCDEF G alphabetic letters are used in conjunction with the encoded parts.

Alphabetical Coding has been done according to Input Shaft

(9) With input shaft and Const.gear 1315 202 012-1315 202 022 / 1315 302 008-1315 302 007

GEARBOX 16S151

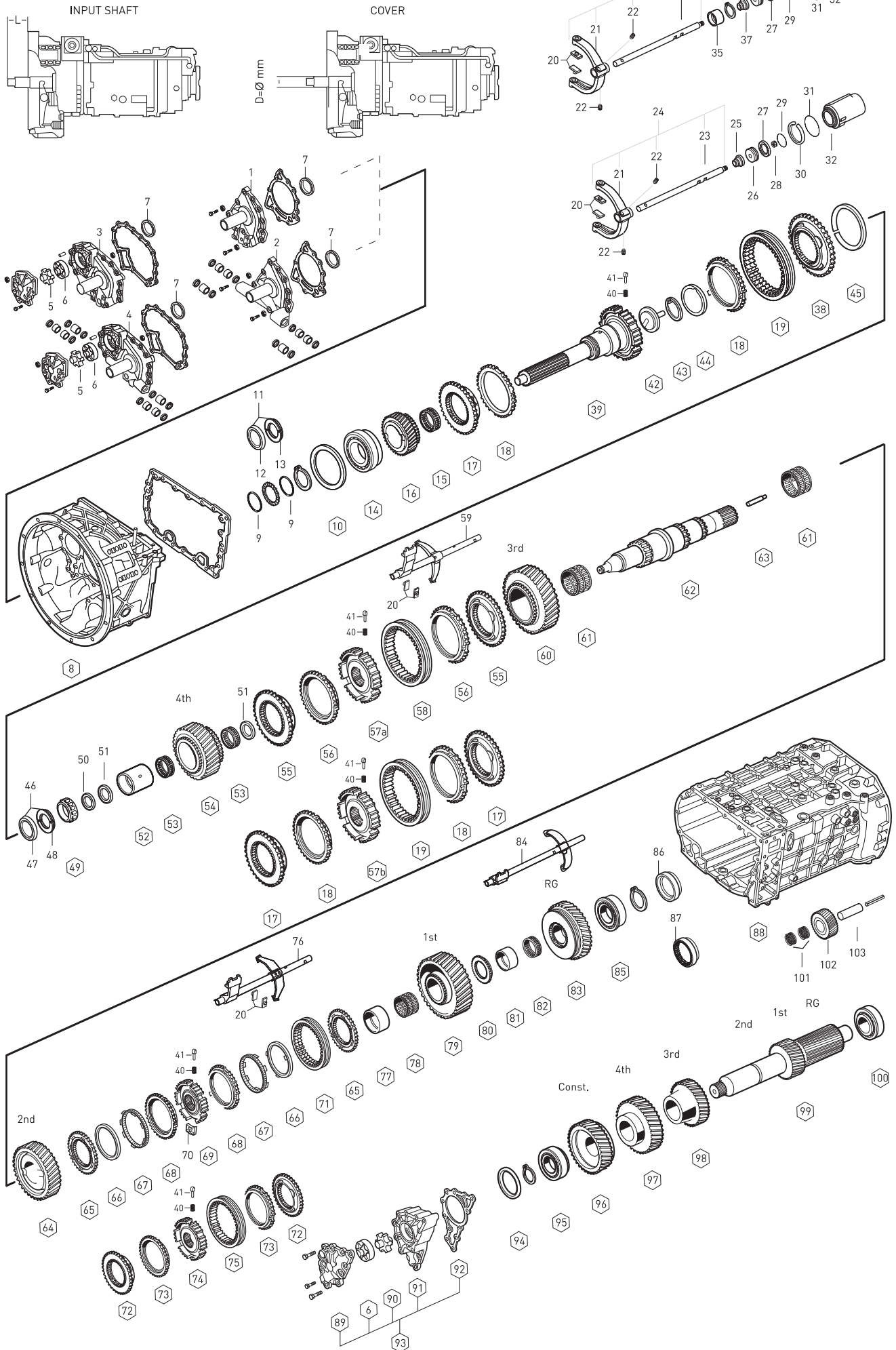


Fig.	Oem No	Oem Old No	Pcs	Description	Sizes	Notes	SG 13.80-0.84	SG 13.85-0.84	SG 13.86-0.84	DG 16.47-1.00	DG 16.53-1.00
43	0630 502 027		1	RETANING RING	472/50X2mm		◆	◆	◆	◆	◆
44	0501 314 060		1	OIL SEAL			◆	◆	◆	◆	◆
45	0730 006 171		1	RING	3.50mm		◆	◆	◆	◆	◆
45	0730 005 465		1	RING	3.40mm		◆	◆	◆	◆	◆
45	0730 005 468		1	RING	4.00mm		◆	◆	◆	◆	◆
45	0730 005 466		1	RING	3.60mm		◆	◆	◆	◆	◆
46	1499 298 027		1	SIPLIT RING KIT	5.00mm	(10)	◆	◆	◆	◆	◆
46	1499 298 026		1	SIPLIT RING KIT	4.90mm	(11)	◆	◆	◆	◆	◆
46	2001580		1	SIPLIT RING KIT	4.85mm	(12)	◆	◆	◆	◆	◆
46	1499 298 025		1	SIPLIT RING KIT	4.80mm	(13)	◆	◆	◆	◆	◆
46	1499 298 024		1	SIPLIT RING KIT	4.70mm	(14)	◆	◆	◆	◆	◆
46	1499 298 023		1	SIPLIT RING KIT	4.60mm	(15)	◆	◆	◆	◆	◆
47	0730 062 781		1	RETAINING RING			◆	◆	◆	◆	◆
48	0730 107 023		2	SIPLIT RING	5.00mm		◆	◆	◆	◆	◆
48	0730 107 022		2	SIPLIT RING	4.90mm		◆	◆	◆	◆	◆
48	2001581		2	SIPLIT RING	4.85mm		◆	◆	◆	◆	◆
48	0730 107 021		2	SIPLIT RING	4.80mm		◆	◆	◆	◆	◆
48	0730 107 020		2	SIPLIT RING	4.70mm		◆	◆	◆	◆	◆
48	0730 107 019		2	SIPLIT RING	4.60mm		◆	◆	◆	◆	◆
49	0750 117 232		1	ROLLER BEARING	42X40.3mm		◆	◆	◆	◆	◆
50	1315 304 048		1	THRUST WASHER	8.00mm		◆	◆	◆	◆	◆
50	1315 304 047		1	THRUST WASHER	7.90mm		◆	◆	◆	◆	◆
50	1315 304 046		1	THRUST WASHER	7.80mm		◆	◆	◆	◆	◆
51	0750 101 158		2	THRUST WASHER			◆	◆	◆	◆	◆
52	0750 119 125		1	BEARING RACE	67X77X54.1mm		◆	◆	◆	◆	◆
53	0750 115 531	(0750 115 534)	2	NEEDLE CAGE	77X101X29mm		◆	◆	◆	◆	◆
53	0750 118 198		2	NEEDLE CAGE	67X101X32mm		◆	◆	◆	◆	◆
54	1315 304 017		1	GEAR 4th 30 T		ABCDEFG	◆	◆	◆	◆	◆
54	1315 304 089	(1315 304 010)	1	GEAR 4th 32 T		ABCDEFG	◆	◆	◆	◆	◆
55	1316 304 159	(1316 304 145)	2	ENGAGING RING			◆	◆	◆	◆	◆
17	1312 304 027		2	ENGAGING RING			◆	◆	◆	◆	◆
56	1316 304 168	(1316 304 149)	2	SYNCHRONIZING CONE			◆	◆	◆	◆	◆
18	1297 304 484	(1297 304 402)	2	SYNCHRONIZING CONE			◆	◆	◆	◆	◆
57a	1316 304 162		1	GUIDE SLEEVE			◆	◆	◆	◆	◆
57b	1312 304 052		1	GUIDE SLEEVE			◆	◆	◆	◆	◆
58	1316 304 167	(1315 304 135)	1	ENGAGING SLEEVE			◆	◆	◆	◆	◆
19	1310 304 202	(1312 302 057)	1	ENGAGING SLEEVE			◆	◆	◆	◆	◆
		(1310 304 174)									
59	1315 206 065		1	GEAR SHIT FORK 3rd/4th		ABCDEFG	◆	◆	◆	◆	◆
59	1315 206 066		1	GEAR SHIT FORK 3rd/4th		c			◆		
60	1315 304 028		1	GEAR 3rd 32 T		ABCDEFG	◆	◆	◆	◆	◆

NOTES :

ABCDEFG alphabetic letters are used in conjunction with the encoded parts.
 Alphabetical Coding has been done according to Input Shaft
 (10) This kit includes (1499 298 027) = 2pcs 0730 107 023 + 1pcs 0730 062 781
 (11) This kit includes (1499 298 026) = 2pcs 0730 107 022 + 1pcs 0730 062 781
 (12) This kit includes (2001580) = 2pcs 2001581 + 1pcs 0730 062 781
 (13) This kit includes (1499 298 025) = 2pcs 0730 107 021 + 1pcs 0730 062 781
 (14) This kit includes (1499 298 024) = 2pcs 0730 107 020 + 1pcs 0730 062 781
 (15) This kit includes (1499 298 023) = 2pcs 0730 107 019 + 1pcs 0730 062 781

16 S 151

GEARBOX 16S151

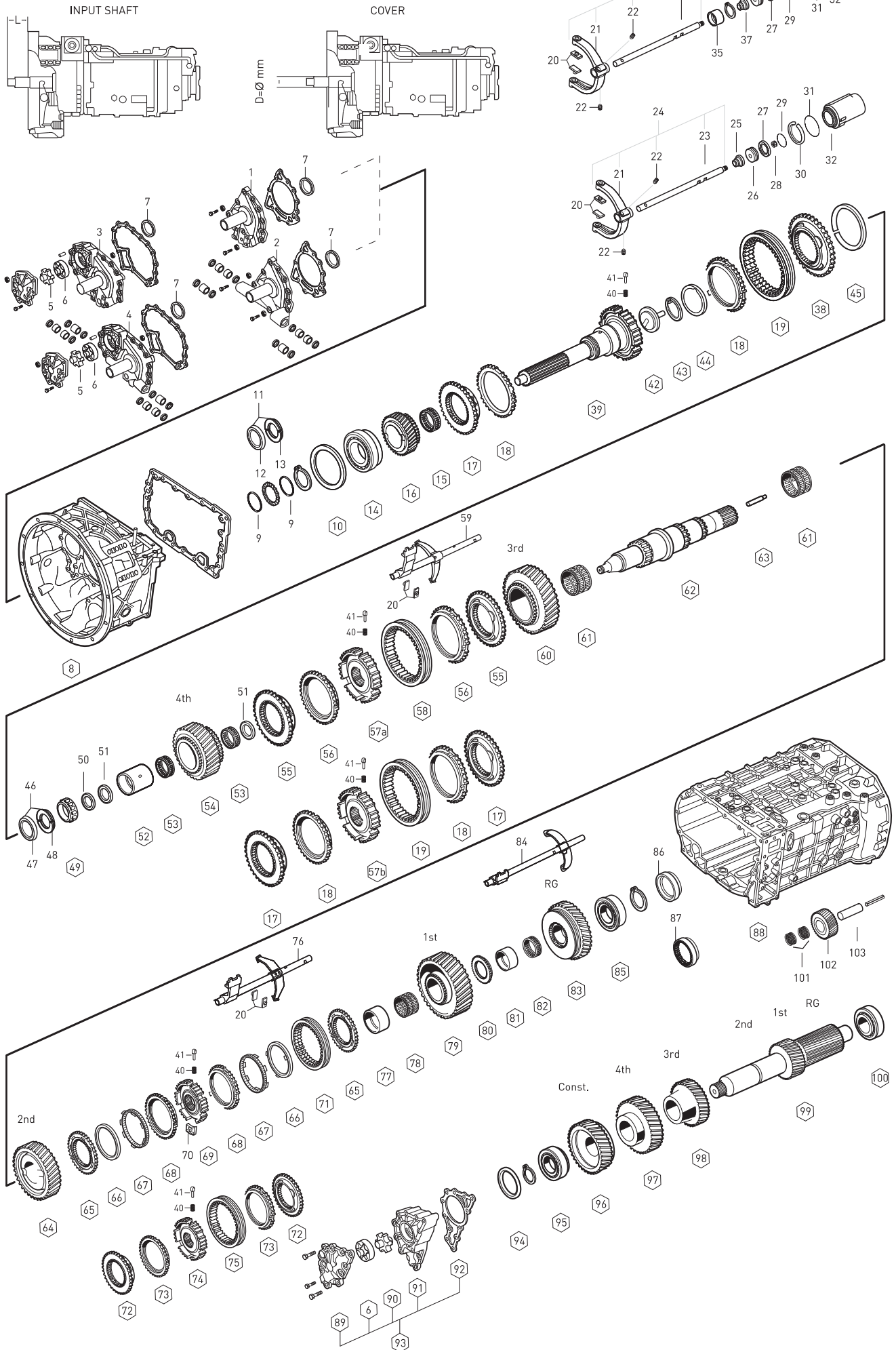


Fig.	Oem No	Oem Old No	Pcs	Description	Sizes	Notes	SG 13.80-0.84	SG 13.85-0.84	SG 13.86-0.84	DG 16.47-1.00	DG 16.53-1.00
60	1315 304 027		1	GEAR 3rd 34 T		ABCDEF G					
61	0735 321 087		2	NEEDLE CAGE	92X100X53mm		◆	◆	◆	◆	◆
62	1315 304 131	(1315 304 084)	1	MAIN SHAFT 23 T HELICAL (NEW)		BCDE G	◆		◆	◆	
62	1315 304 029		1	MAIN SHAFT 25 T (OLD)		AF		◆			◆
62	1315 304 130	(1313 304 072)	1	MAIN SHAFT 24 T (OLD)		BCDE G	◆		◆	◆	
63	1312 304 150		1	OIL PIPE			◆	◆	◆	◆	◆
64	1315 304 026		1	GEAR 2nd 37 T		ABCDEF G	◆	◆			
64	1315 304 025		1	GEAR 2nd 38 T		ABCDEF G			◆	◆	◆
65	1312 304 106		2	ENGAGING RING			◆	◆	◆	◆	◆
66	1268 304 424		2	SYNCHRONIZING CONE			◆	◆	◆	◆	◆
67	1268 304 494	(1268 304 491)	2	INTERMEDIATE CONE			◆	◆	◆	◆	◆
68	1268 304 525		2	SYNCHRONIZING CONE			◆	◆	◆	◆	◆
69	1312 304 158		1	GUIDE SLEEVE			◆	◆	◆	◆	◆
70	1312 304 159		3	SLIDING BLOCK			◆	◆	◆	◆	◆
71	1310 304 175	(1312 304 157)	1	ENGAGING SLEEVE			◆	◆	◆	◆	◆
72a	1316 304 156		2	ENGAGING RING			◆	◆	◆	◆	◆
72b	1313 304 009		2	ENGAGING RING			◆	◆	◆	◆	◆
73a	1316 304 170	(1316 304 150)	2	SYNCHRONIZING CONE			◆	◆	◆	◆	◆
73b	1297 304 485	(1297 304 401)	2	SYNCHRONIZING CONE			◆	◆	◆	◆	◆
74a	1316 304 163		1	GUIDE SLEEVE			◆	◆	◆	◆	◆
74b	1313 304 008		1	GUIDE SLEEVE			◆	◆	◆	◆	◆
75a	1316 304 169	(1315 304 136)	1	ENGAGING SLEEVE			◆	◆	◆	◆	◆
75b	1316 304 078		1	ENGAGING SLEEVE			◆	◆	◆	◆	◆
76	1315 206 061		1	GEAR SHIT FORK 1st/2nd		ABCDEF G	◆	◆	◆	◆	◆
76	1315 206 062		1	GEAR SHIT FORK 1st/2nd		C				◆	
77	1313 304 038		1	BEARING RACE			◆	◆	◆	◆	◆
78	0750 115 325		1	NEEDLE CAGE	96X104X55mm		◆	◆	◆	◆	◆
79	1315 304 014		1	GEAR 1st 44 T		ABCDEF G	◆	◆			
79	1315 304 004		1	GEAR 1st 47 T		ABCDEF G			◆	◆	◆
80	1315 304 018		1	HUB			◆	◆	◆	◆	◆
81	1315 304 132	(1313 304 036)	1	BEARING RACE			◆	◆	◆	◆	◆
82	0750 115 324		1	NEEDLE CAGE	90X98X41mm		◆	◆	◆	◆	◆
83	1315 304 013		1	REVERSE GEAR 42 T		ABCDEF G	◆	◆			
83	1315 304 006		1	REVERSE GEAR 44 T		ABCDEF G			◆	◆	◆
84	1315 206 069		1	GEAR SHIT FORK/RG		ABCDEF G	◆	◆	◆	◆	◆
84	1315 206 070		1	GEAR SHIT FORK/RG		C				◆	
85	0750 117 677		1	ROLLER BEARING	80X130X36mm		◆	◆	◆	◆	◆
86	1315 332 054		1	WASHER (OLD)			◆	◆	◆	◆	◆
87	1315 332 073		1	WASHER (NEW)			◆	◆	◆	◆	◆
88	1315 201 178	(1315 201 109)	1	HOUSING		BC	◆		◆		
88	1315 201 202		1	HOUSING		BC				◆	

NOTES :

ABCDEF G alphabetic letters are used in conjunction with the encoded parts.
 Alphabetical Coding has been done according to Input Shaft

16 S 151

GEARBOX 16S151

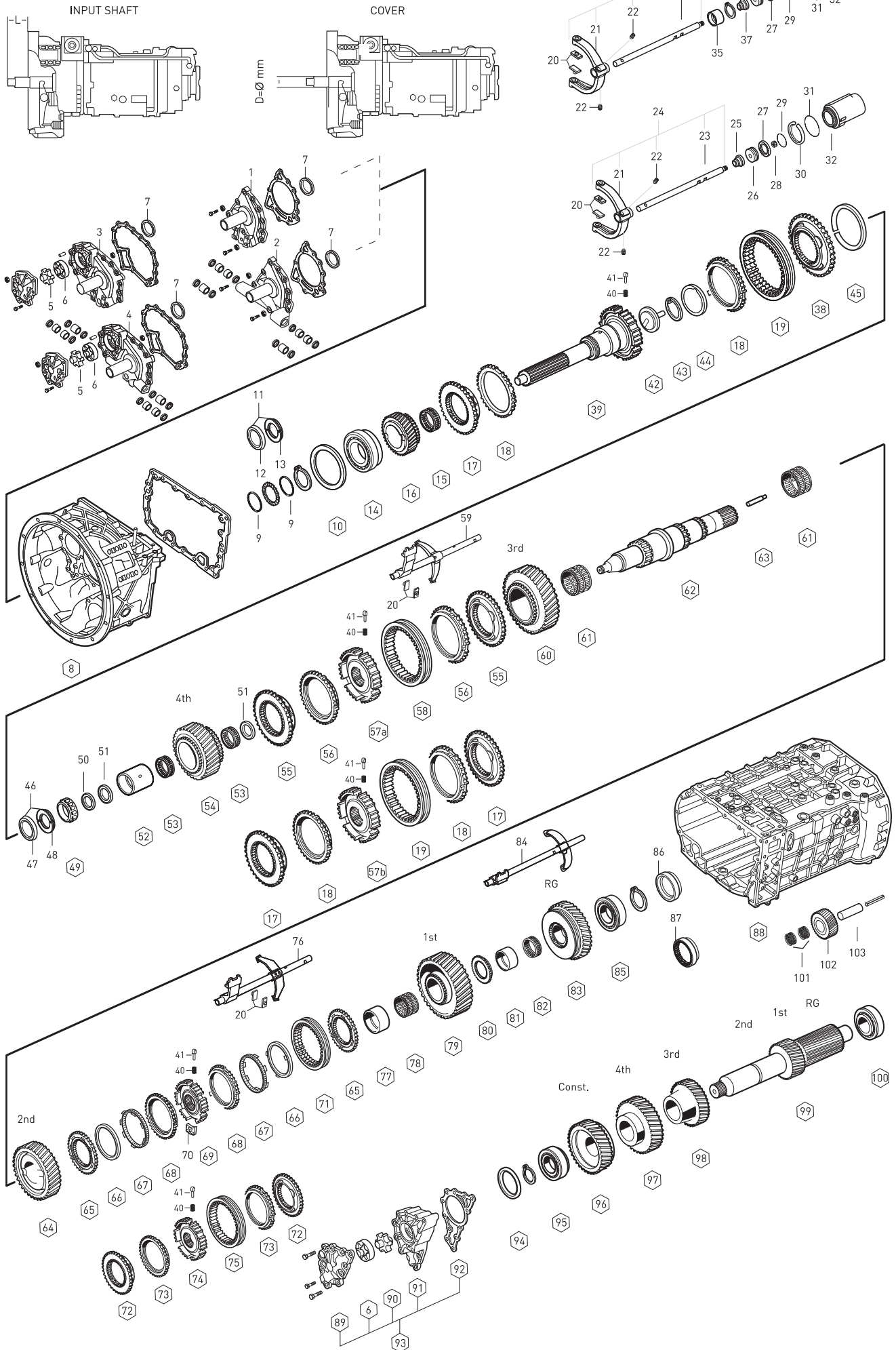


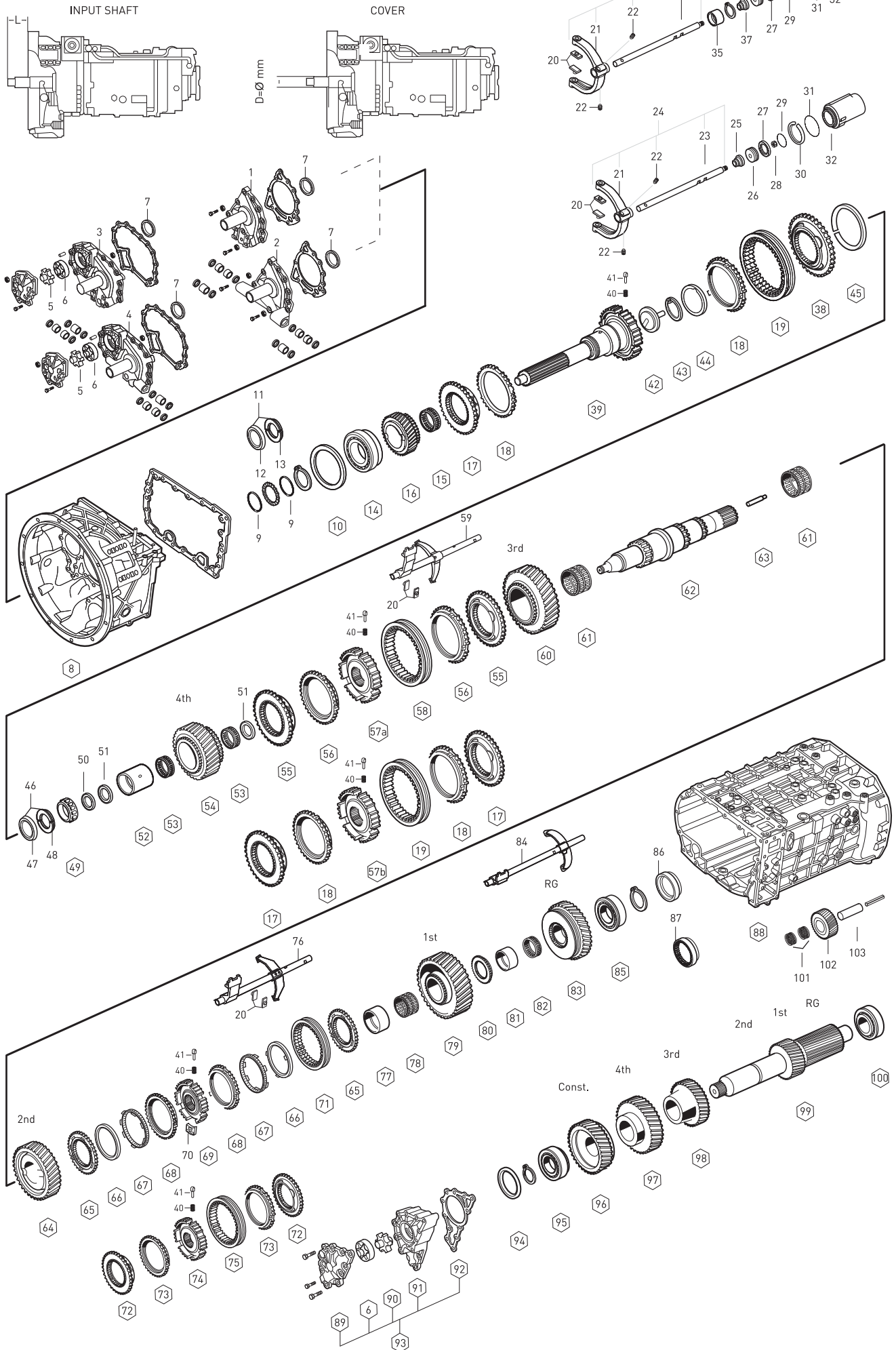
Fig.	Oem No	Oem Old No	Pcs	Description	Sizes	Notes	SG 13.80-0.84	SG 13.85-0.84	SG 13.86-0.84	DG 16.47-1.00	DG 16.53-1.00
88	1315 201 181	(1315 201 128)	1	HOUSING		DG	◆		◆		
88	1315 201 209		1	HOUSING		E	◆				
88	1315 201 208		1	HOUSING		EG				◆	
88	1315 201 074	(1315 201 186)	1	HOUSING		AF		◆			◆
89	1315 302 120	(1315 302 116) (1315 402 120)	1	PUMP COVER		BCDEG	◆		◆	◆	
90	1314 202 039		1	OIL PUMP GEAR		BCDEG	◆		◆	◆	
6	1315 303 027		1	ROTOR		BCDEG	◆		◆	◆	
91	1315 302 121	(1315 302 117) (1315 402 121)	1	PUMP HOUSING		BCDEG	◆		◆	◆	
92	1315 303 060	(0501 314 747)	1	GASKET		BCDEG	◆		◆	◆	
93	2000570		KIT	OIL PUMP ASSY.		BCDEG	◆		◆	◆	
94	0730 106 917		1	SHIM	3.00mm		◆		◆	◆	
94	0730 106 909		1	SHIM	2.60mm		◆		◆	◆	
94	0730 101 467		1	SHIM	2.20mm		◆		◆	◆	
94	0730 106 905		1	SHIM	1.85mm		◆		◆	◆	
94	2001678		1	SHIM	0.30mm		◆		◆	◆	
94	2001679		1	SHIM	0.20mm		◆		◆	◆	
94	2001680		1	SHIM	0.10mm		◆		◆	◆	
95	0750 117 009		1	ROLLER BEARING	49.2X103.1X43.6mm		◆		◆	◆	
94	0730 102 099		1	SHIM	3.00mm			◆			◆
94	0730 102 060		1	SHIM	2.60mm			◆			◆
94	0730 102 068		1	SHIM	2.20mm			◆			◆
94	0730 102 075		1	SHIM	1.85mm			◆			◆
94	2001652		1	SHIM	0.30mm			◆			◆
94	2001653		1	SHIM	0.20mm			◆			◆
94	2001654		1	SHIM	0.10mm			◆			◆
95	0750 117 010		1	ROLLER BEARING	50.8X100X35mm			◆			◆
96	1315 303 052	(1315 303 012)	1	CONS.GEAR 37 T		ABCDEFG	◆	◆			
96	1315 303 051		1	CONS.GEAR 32 T		BCDE			◆		
96	1315 303 008		1	CONS.GEAR 39 T		ABCEFG				◆	◆
97	1315 303 046	(1315 303 011)	1	GEAR 4th 39 T		ABCDEFG	◆	◆			
97	1315 303 050		1	GEAR 4th 35 T		ABCDEFG			◆	◆	◆
98	1315 303 010		1	GEAR 3rd 28 T		ABCDEFG	◆	◆			
98	1315 303 004		1	GEAR 3rd 26 T		ABCDEFG			◆	◆	◆
99	1315 303 041		1	COUNTER SHAFT 19-23 T		BCDEG	◆				
99	1315 303 022	(1315 303 048)	1	COUNTER SHAFT 19-23 T		AF		◆			
99	1315 303 042		1	COUNTER SHAFT 17-20 T		AF		◆			
99	1315 303 063		1	COUNTER SHAFT 17-20 T		BCDEG			◆	◆	
99	1315 303 020	(1315 303 049)	1	COUNTER SHAFT 17-20 T		AF					◆
100	0750 117 009		1	ROLLER BEARING	49.2X103.1X43.6mm		◆		◆	◆	

NOTES :

ABCDEF G alphabetic letters are used in conjunction with the encoded parts.
 Alphabetical Coding has been done according to Input Shaft

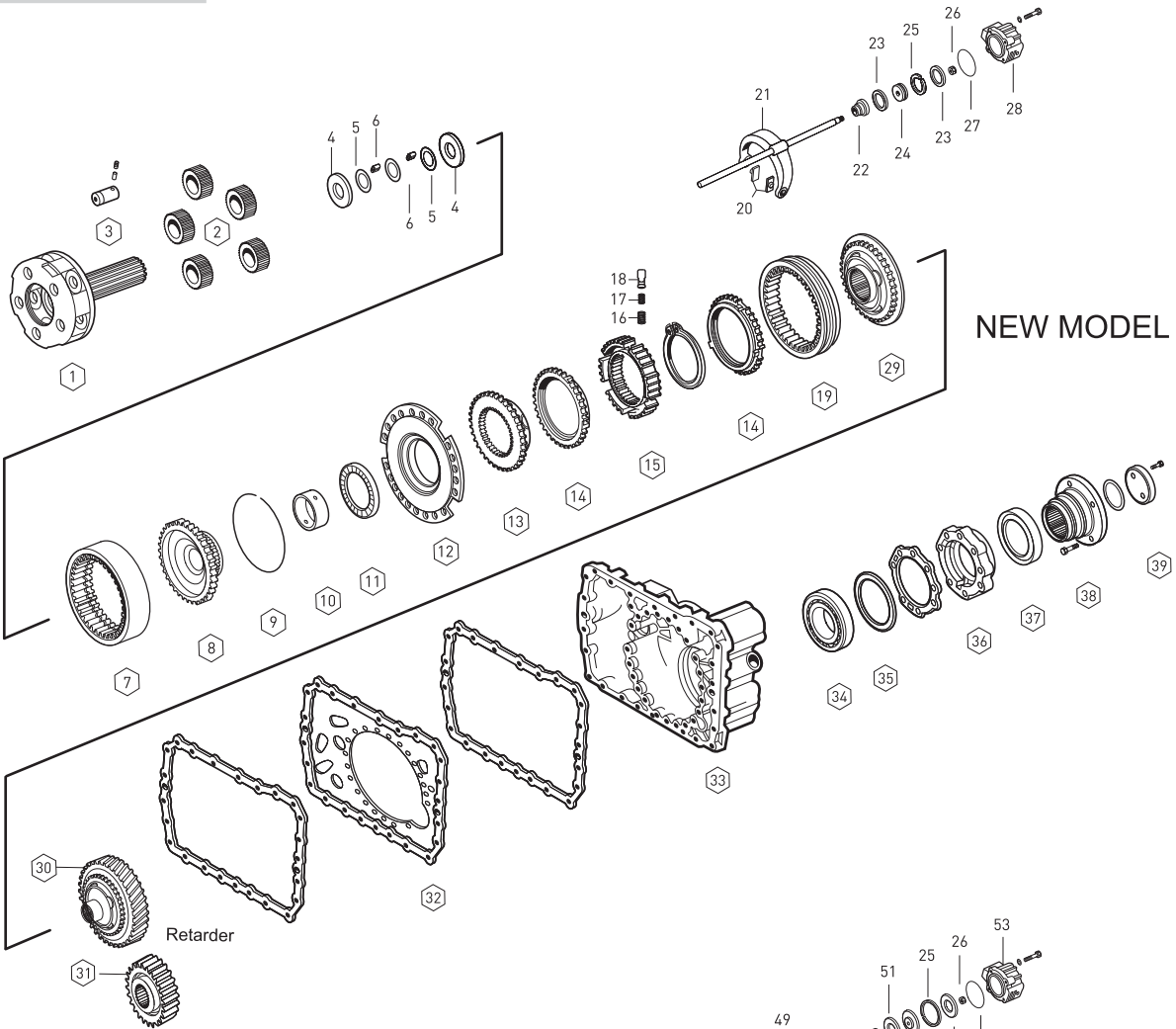
16 S 151

GEARBOX 16S151

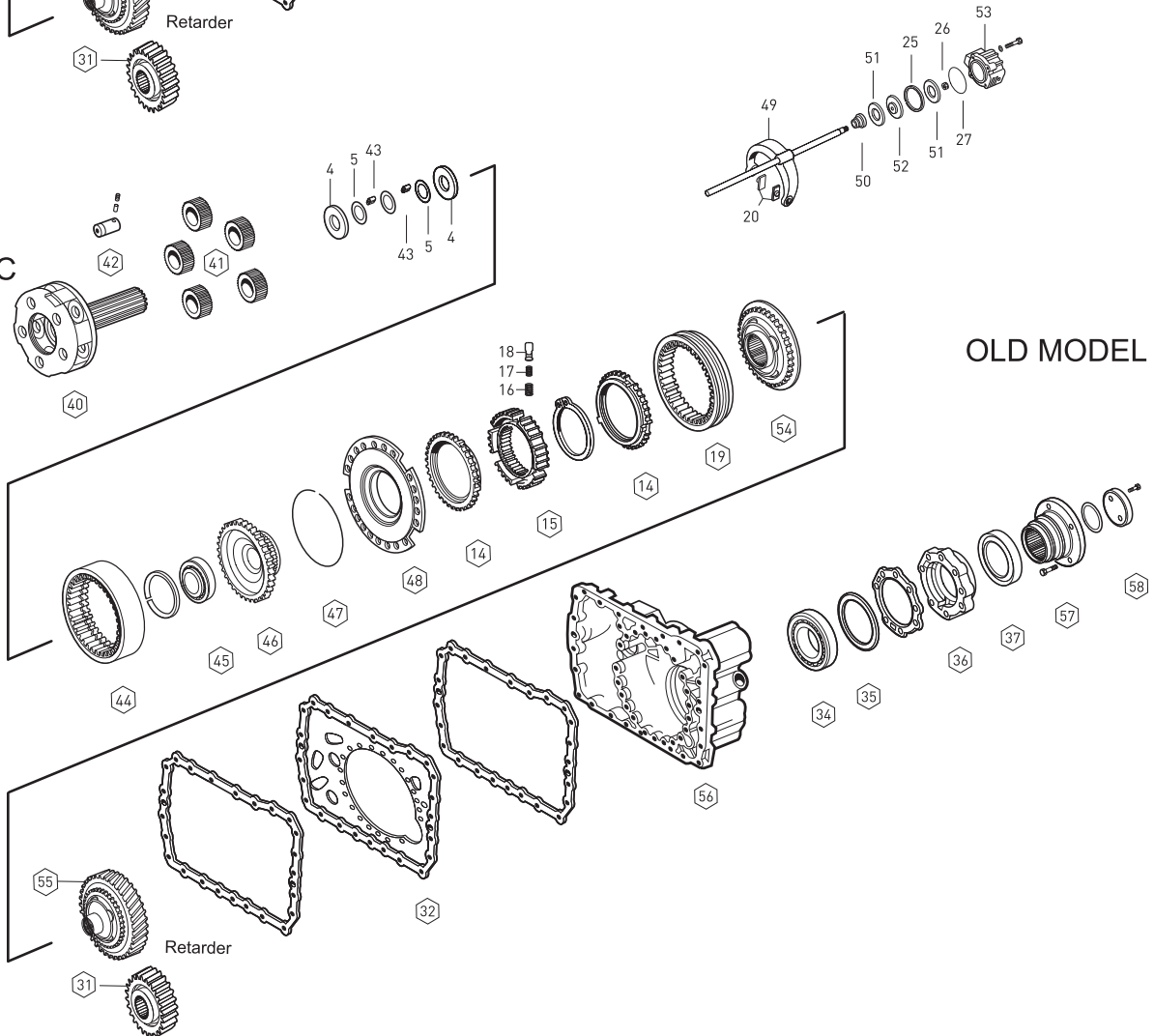


GEARBOX 16S151

A



BC



NEW MODEL

OLD MODEL

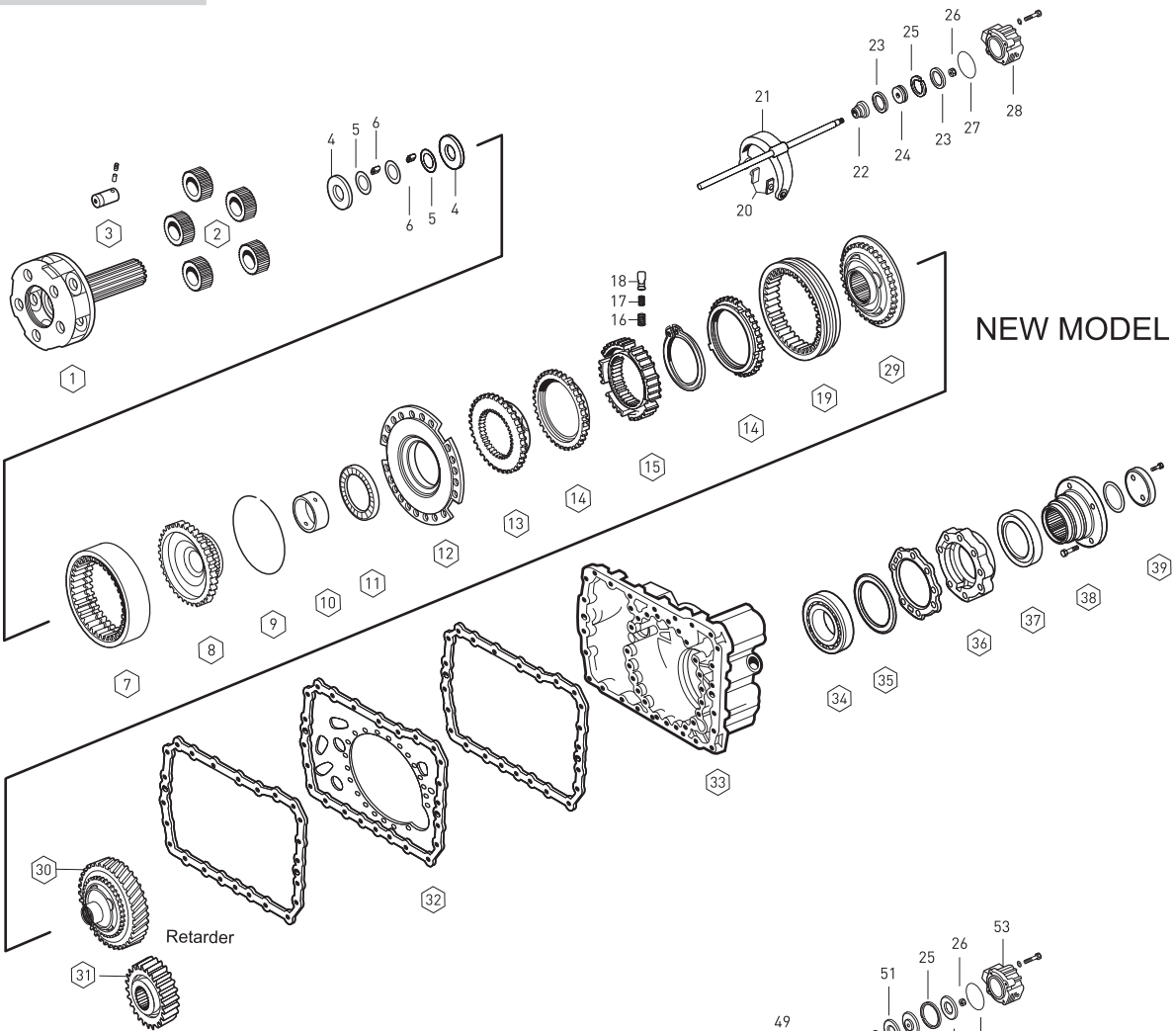
Fig.	Oem No	Oem Old No	Pcs	Description	Sizes	Notes	SG 13.80-0.84	SG 13.85-0.84	SG 13.86-0.84	DG 16.47-1.00	DG 16.53-1.00
1	1315 232 017		1	PLANETARY CARRIER		A	◆		◆	◆	
2	1315 232 010		5	PLANETARY GEAR SET		A (1)	◆		◆	◆	
3	1315 332 053	(1315 332 044)	5	PLANET SHAFT		A	◆		◆	◆	
4	0730 107 168		10	THRUST WASHER		ABC	◆	◆	◆	◆	◆
5	0501 308 981		15	THRUST WASHER		ABC	◆	◆	◆	◆	◆
6	0750 119 116		140	NEEDLE ROLLER	10X16.8mm	A	◆		◆	◆	
7	1315 332 041		1	RING WHEEL		A	◆		◆	◆	
8	1316 332 103		1	CARRIER HUB		A	◆		◆	◆	
9	0730 513 583		1	SPRING RING	3.20mm	A	◆		◆	◆	
10	1316 333 014		1	BUSHING		A	◆		◆	◆	
11	0735 298 169		1	NEEDLE BEARING	104.5X128.4X10mm	A	◆		◆	◆	
12	1296 333 046	(1296 333 039)	1	FLANGE		A	◆		◆	◆	
13	1296 333 050		1	ENGAGING RING		A	◆		◆	◆	
14	1296 333 045	(1296 333 022)	2	SYNCHRONIZING CONE		ABC	◆	◆	◆	◆	◆
15	1313 333 001		1	GUIDE SLEEVE		ABC	◆	◆	◆	◆	◆
16	0732 040 385		9	SPRING		ABC	◆	◆	◆	◆	◆
17	0732 040 386		9	SPRING		ABC	◆	◆	◆	◆	◆
18	1240 304 278		9	PRESSURE PIECE		ABC	◆	◆	◆	◆	◆
19	1296 333 023		1	ENGAGING SLEEVE		ABC	◆	◆	◆	◆	◆
20	1296 334 004		2	SLIDING PAD		ABC	◆	◆	◆	◆	◆
21	1315 334 058		1	GEAR SHIFT FORK		A	◆		◆	◆	
22	0750 112 253	(0750 112 131)	1	FLANGE PACKING	25.0X40.0X15.0mm	A	◆		◆	◆	
23	0734 307 294	(0734 307 280)	2	SEALING RING		A	◆		◆	◆	
24	1315 334 034	(1315 334 063)	1	PISTON		A	◆		◆	◆	
25	0750 112 066		1	GUIDE RING		ABC	◆	◆	◆	◆	◆
26	0737 006 095		1	NUT	M16X1.5mm	ABC	◆	◆	◆	◆	◆
27	0501 317 536		1	O-RING	94.0X3.0mm	ABC	◆	◆	◆	◆	◆
28	1315 334 056		1	CYLINDER		A	◆		◆	◆	
29	1316 233 015		1	ENGAGING RING		A	◆		◆	◆	
30	1316 233 014		1	ENGAGING RING	Retarder	A	◆		◆	◆	
31	6085 301 012		1	GEAR (29 T)	Retarder	ABC	◆	◆	◆	◆	◆
32	1315 301 118		1	INTERM.PLATE		ABC	◆	◆	◆	◆	◆
33	1315 301 224	(1315 301 223)	1	HOUSING		A	◆		◆	◆	
34	0750 116 002		1	ROLLER BEARING	90X160X30mm	ABC	◆	◆	◆	◆	◆
35	0730 100 115		1	SHIM	0.30mm	ABC	◆	◆	◆	◆	◆
35	0730 100 116		1	SHIM	0.20mm	ABC	◆	◆	◆	◆	◆
35	2001660		1	SHIM	0.10mm	ABC	◆	◆	◆	◆	◆
36	1315 231 004		1	BEARING COVER		ABC	◆	◆	◆	◆	◆
37	0750 111 341		1	OIL SEAL	105X130X12mm	ABC	◆	◆	◆	◆	◆
38	1297 333 110		1	COMPANION FLANGE	4-H, Ø180mm	A	◆		◆	◆	
39	1312 332 028		1	WASHER		A	◆		◆	◆	

NOTES :

- A : Alphabetical letters used in conjunction with these products are classified.
- B : Alphabetical letters used in conjunction with these products are classified.
- C : Alphabetical letters used in conjunction with these products are classified.
- (1) With main shaft 1315 304 131 New Model

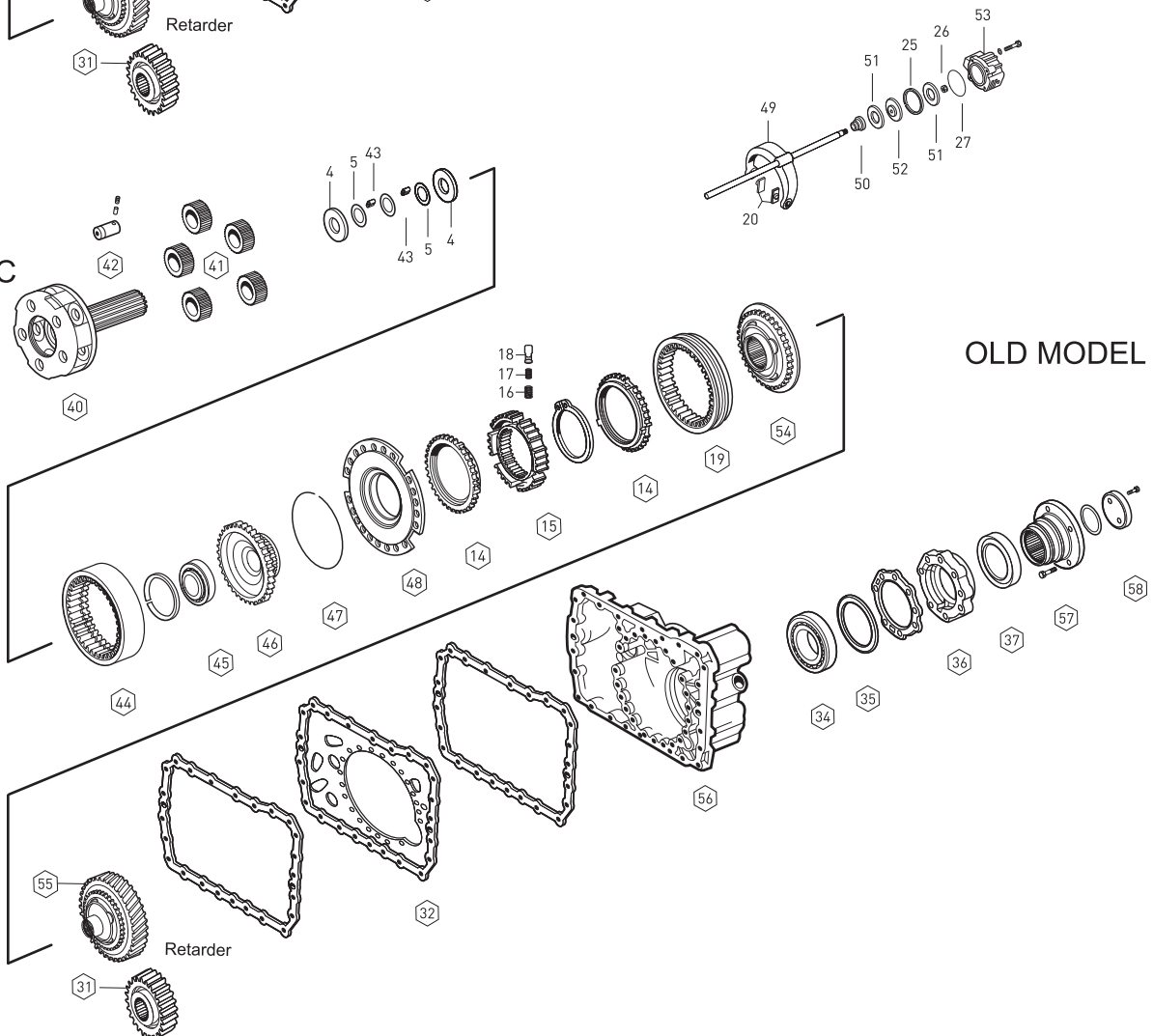
GEARBOX 16S151

A



NEW MODEL

BC



OLD MODEL

Fig.	Oem No	Oem Old No	Pcs	Description	Sizes	Notes	SG 13.80-0.84	SG 13.85-0.84	SG 13.86-0.84	DG 16.47-1.00	DG 16.53-1.00
40	1315 232 023		1	PLANETARY CARRIER		BC	◆	◆	◆	◆	◆
41	1315 232 001		5	PLANETARY GEAR SET		B (2)		◆			◆
41	1313 232 003		5	PLANETARY GEAR SET		C (3)	◆		◆	◆	
42	1296 332 005		5	PLANET SHAFT		BC	◆	◆	◆	◆	◆
43	0735 470 164		140	NEEDLE ROLLER	10X15mm	BC	◆	◆	◆	◆	◆
44	1315 332 003		1	RING WHEEL 90 T		B		◆			◆
44	1295 332 086		1	RING WHEEL 86 T		C	◆		◆	◆	
45	0750 116 165	(0635 338 049)	1	ROLLER BEARING	80.0X110.0X16mm	BC	◆	◆	◆	◆	◆
46	1315 332 002		1	CARRIER HUB 90 T		B		◆			◆
46	1313 332 020		1	CARRIER HUB 86 T		C	◆		◆	◆	
47	0730 505 056	(0730 505 055)	1	SPRING RING	3.20mm	BC	◆	◆	◆	◆	◆
48	1315 233 006		1	FLANGE		BC	◆	◆	◆	◆	◆
49	1315 334 033		1	GEAR SHIFT FORK		BC	◆	◆	◆	◆	◆
50	0750 112 034		1	FLANGE PACKING	25.0X38.0X14.2mm	BC	◆	◆	◆	◆	◆
51	0734 317 150	(0750 112 019)	2	SEALING RING	80.0X90.0X4.8mm	BC	◆	◆	◆	◆	◆
52	1296 334 039		1	PISTON		BC	◆	◆	◆	◆	◆
53	1315 334 021		1	CYLINDER		BC	◆	◆	◆	◆	◆
54	1313 233 001	(1297 233 018)	1	ENGAGING RING	38spl.	BC	◆	◆	◆	◆	◆
55	1315 233 023		1	ENGAGING RING	Retarder	BC	◆	◆	◆	◆	◆
56	1315 301 224	(1315 301 223)	1	HOUSING		BC	◆	◆	◆	◆	◆
57	1313 338 002		1	COMPANION FLANGE	4-H, Ø180mm	B		◆			◆
57	1315 338 002		1	COMPANION FLANGE	4-H, Ø180mm	C	◆		◆	◆	
58	1295 332 051		1	WASHER		B		◆			◆
58	1295 332 118		1	WASHER		C	◆		◆	◆	

NOTES :

- A : Alphabetical letters used in conjunction with these products are classified.
- B : Alphabetical letters used in conjunction with these products are classified.
- C : Alphabetical letters used in conjunction with these products are classified.
- (2) With main shaft 1315 304 029 Old Model
- (3) With main shaft 1315 304 130 Old Model

16 S 151

GEARBOX 16S151

SYNCHRONIZER KIT CONST.

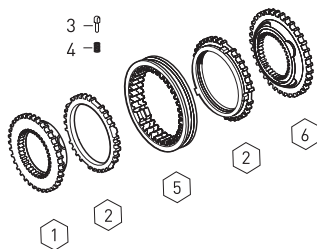


Fig	o. Oem No	Oem Old No	Pcs.	Ürün Tanımı	Description
	1297 298 955		Kit	TAKVIYE SENKROMENÇ KİT	SYNCHRONIZER KIT Const
1	1312 304 027		1	TAKVIYE SENKROMENÇ	ENGAGING RING
2	1297 304 484	(1297 304 402)	2	TAKVIYE SENK.FRENLEME	SYNCHRONIZING CONE
3	1297 304 436		3	PRİZ.YILDIZ DIŞLI FİŞEĞİ	PRESSURE PIECE
4	0732 040 409		3	PRİZ.YILDIZ DIŞLI YAYI	SPRING
5	1310 304 202	(1312 302 057)	1	TAKVIYE SENK.HALKA	ENGAGING SLEEVE
		(1310 304 174)			
6	1312 304 056		1	TAKVIYE SENKROMENÇ	ENGAGING RING

SYNCHRONIZER KIT 3rd/4th/CONST.

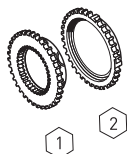


Fig	o. Oem No	Oem Old No	Pcs.	Ürün Tanımı	Description
	1312 204 031		Kit	TAK.3./4.VİT.SENK.KİT	SYNCH.KIT 3rd/4th/Const.
1	1312 304 027		1	TAK.3./4.VİT.SENKROMENÇ	ENGAGING RING
2	1297 304 484	(1297 304 402)	1	TAK.3./4.VİT.FRENLEME	SYNCHRONIZING CONE

SYNCHRONIZER KIT 3rd/4th

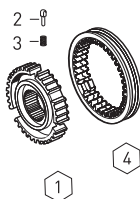


Fig	o. Oem No	Oem Old No	Pcs.	Ürün Tanımı	Description
	1312 204 028		Kit	3./4.VİT.HALKA YILDIZ KİTİ	SYNCH.KIT 3rd/4th
1	1312 304 052		1	3./4.VİT.YILDIZ DIŞLI	GUIDE SLEEVE
2	1297 304 436		3	PRİZ.YILDIZ DIŞLI FİŞEĞİ	PRESSURE PIECE
3	0732 040 409		3	PRİZ.YILDIZ DIŞLI YAYI	SPRING
4	1310 304 202	(1312 302 057)	1	TAKVIYE SENK.HALKA	ENGAGING SLEEVE
		(1310 304 174)			

SYNCHRONIZER KIT 3rd/4th

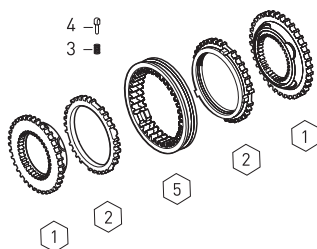


Fig	o. Oem No	Oem Old No	Pcs.	Ürün Tanımı	Description
	1315 298 030		Kit	3./4.VİT.SENKROMENÇ KİT	SYNCH.KIT 3rd/4th
1	1312 304 027		2	3./4.VİT.SENKROMENÇ	ENGAGING RING
2	1297 304 484	(1297 304 402)	2	3./4.VİT.SENK.FRENLEME	SYNCHRONIZING CONE
3	1297 304 436		3	PRİZ.YILDIZ DIŞLI FİŞEĞİ	PRESSURE PIECE
4	0732 040 409		3	PRİZ.YILDIZ DIŞLI YAYI	SPRING
5	1310 304 202	(1312 302 057)	1	3./4.VİT.SENK.HALKA	ENGAGING SLEEVE
		(1310 304 174)			

SYNCHRONIZER KIT 3rd/4th

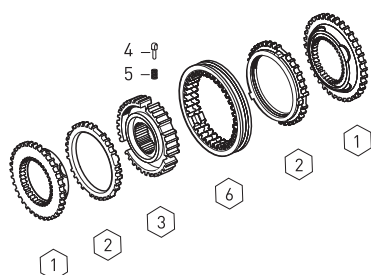


Fig.	. Oem No	Oem Old No	Pcs.	Ürün Tanımı	Description
	1315 298 018		Kit	3./4.VİT.SENKROMENÇ KİT	SYNCH.KIT 3rd/4th
1	1312 304 027		2	3./4.VİT.SENKROMENÇ	ENGAGING RING
2	1297 304 484	(1297 304 402)	2	3./4.VİT.SENK.FRENLEME	SYNCHRONIZING CONE
3	1312 304 052		1	3./4.VİT.YILDIZ DIŞLI	GUIDE SLEEVE
4	1297 304 436		3	PRİZ.YILDIZ DIŞLI FİŞEĞİ	PRESSURE PIECE
5	0732 040 409		3	PRİZ.YILDIZ DIŞLI YAYI	SPRING
6	1310 304 202	(1312 302 057)	1	3./4.VİT.SENK.HALKA	ENGAGING SLEEVE
		(1310 304 174)			

Fig.	o. Oem No	Oem Old No	Pcs	Description
	1315 298 061	(1316 204 016)	Kit	SYNCH.KIT 3rd/4th
1	1316 304 159	(1316 304 145)	2	ENGAGING RING
2	1316 304 168	(1316 304 149)	2	SYNCHRONIZING CONE
3	1316 304 162		1	GUIDE SLEEVE
4	1297 304 436		3	PRESSURE PIECE
5	0732 040 409		3	SPRING
6	1316 304 167	(1315 304 135)	1	ENGAGING SLEEVE

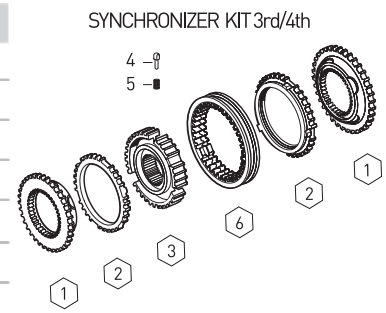


Fig.	o. Oem No	Oem Old No	Pcs	Description
	1316 204 014		Kit	SYNCH.KIT 3rd/4th
1	1316 304 168	(1316 304 149)	2	SYNCHRONIZING CONE
2	1316 304 162		1	GUIDE SLEEVE
3	1297 304 436		3	PRESSURE PIECE
4	0732 040 409		3	SPRING
5	1316 304 167	(1315 304 135)	1	ENGAGING SLEEVE

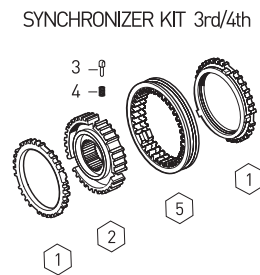


Fig.	o. Oem No	Oem Old No	Pcs	Description
	1313 204 009		Kit	SYNCH.KIT 1st/2nd
1	1313 304 009		1	ENGAGING RING
2	1297 304 485	(1297 304 401)	1	SYNCHRONIZING CONE



Fig.	o. Oem No	Oem Old No	Pcs.	Description
	1313 204 008		Kit	SYNCH.KIT 1st/2nd
1	1313 304 008		1	GUIDE SLEEVE
2	1297 304 436		3	PRESSURE PIECE
3	0732 040 409		3	SPRING
4	1316 304 078		1	ENGAGING SLEEVE



Fig.	o. Oem No	Oem Old No	Pcs	Description
	1313 204 003		Kit	SYNCH.KIT 1st/2nd
1	1297 304 485	(1297 304 401)	2	SYNCH.CONE
2	1313 304 008		1	GUIDE SLEEVE
3	1297 304 436		3	PRESSURE PIECE
4	0732 040 409		3	SPRING
5	1316 304 078		1	ENGAGING SLEEVE

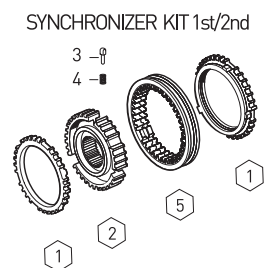
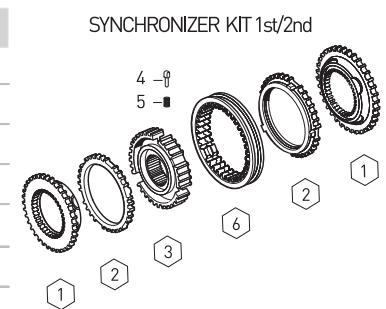


Fig.	o. Oem No	Oem Old No	Pcs	Description
	1313 298 909		Kit	SYNCH.KIT 1st/2nd
1	1313 304 009		2	ENGAGING RING
2	1297 304 485	(1297 304 401)	2	SYNCH.CONE
3	1313 304 008		1	GUIDE SLEEVE
4	1297 304 436		3	PRESSURE PIECE
5	0732 040 409		3	SPRING
6	1316 304 078		1	ENGAGING SLEEVE



GEARBOX 16S151

SYNCHRONIZER KIT 1st/2nd

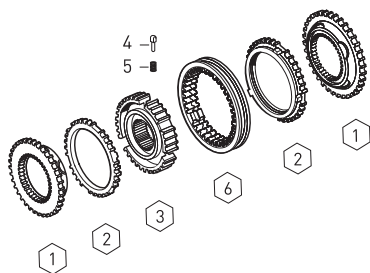


Fig.	o. Oem No	Oem Old No	Pcs	Description
	1315 298 060	(1316 204 017)	Kit	SYNCH.KIT 1st/2nd
1	1316 304 156		2	ENGAGING RING
2	1316 304 170	(1316 304 150)	2	SYNCH.CONE
3	1316 304 163		1	GUIDE SLEEVE
4	1297 304 436		3	PRESSURE PIECE
5	0732 040 409		3	SPRING
6	1316 304 169	(1315 304 136)	1	ENGAGING SLEEVE

SYNCHRONIZER KIT 1st/2nd

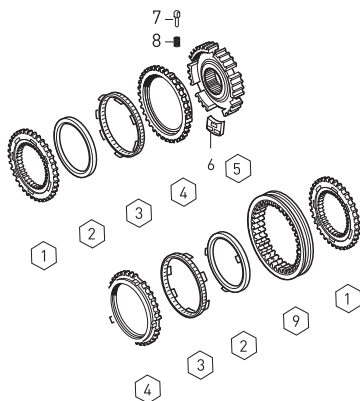


Fig.	o. Oem No	Oem Old No	Pcs	Description
	1315 204 006	(1312 298 911)	Kit	SYNCH.KIT 1st/2nd
1	1312 304 106		2	ENGAGING RING
2	1268 304 424		2	SYNCHRONIZING CONE
3	1268 304 494	(1268 304 491)	2	INTERMEDIATE CONE
4	1268 304 525		2	SYNCHRONIZING CONE
5	1312 304 158		1	GUIDE SLEEVE
6	1312 304 159		3	SLIDING BLOCK
7	1297 304 436		3	PRESSURE PIECE
8	0732 040 409		3	SPRING
9	1310 304 175	(1312 304 157)	1	ENGAGING SLEEVE

SYNCHRONIZER KIT PLANETARY

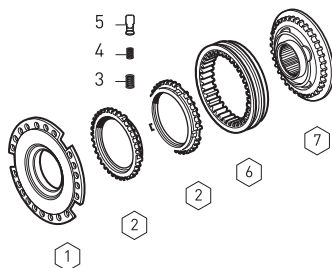


Fig.	o. Oem No	Oem Old No	Pcs	Description
	1315 298 047		Kit	SYNCHRONIZER KIT
1	1315 233 006		1	FLANGE
2	1296 333 045	(1296 333 022)	2	SYNCHRONIZING CONE
3	0732 040 385		9	SPRING
4	0732 040 386		9	SPRING
5	1240 304 278		9	PRESSURE PIECE
6	1296 333 023		1	ENGAGING SLEEVE
7	1313 233 001	(1297 233 018)	1	ENGAGING RING

SYNCHRONIZER KIT PLANETARY

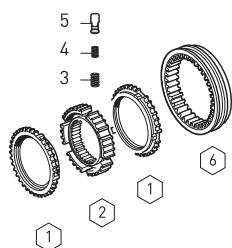


Fig.	. Oem No	Oem Old No	Pcs	Description
	1315 233 029		Kit	SYNCHRONIZER KIT
1	1296 333 045	(1296 333 022)	2	SYNCHRONIZING CONE
2	1313 333 001		1	GUIDE SLEEVE
3	0732 040 385		9	SPRING
4	0732 040 386		9	SPRING
5	1240 304 278		9	PRESSURE PIECE
6	1296 333 023		1	ENGAGING SLEEVE

SYNCHRONIZER KIT PLANETARY

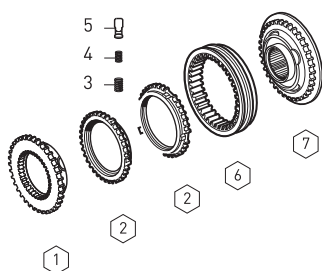


Fig.	o. Oem No	Oem Old No	Pcs	Description
	1315 298 034		Kit	SYNCHRONIZER KIT
1	1296 333 050		1	ENGAGING RING
2	1296 333 045	(1296 333 022)	2	SYNCHRONIZING CONE
3	0732 040 385		9	SPRING
4	0732 040 386		9	SPRING
5	1240 304 278		9	PRESSURE PIECE
6	1296 333 023		1	ENGAGING SLEEVE
7	1316 233 015		1	ENGAGING RING

ç

Fig	o. Oem No	Oem Old No	Pcs	Description
	1315 298 029		Kit	SYNCHRONIZER KIT
1	1296 333 050		1	ENGAGING RING
2	1296 333 045	(1296 333 022)	2	SYNCHRONIZING CONE
3	1313 333 001		1	GUIDE SLEEVE
4	0732 040 385		9	SPRING
5	0732 040 386		9	SPRING
6	1240 304 278		9	PRESSURE PIECE
7	1296 333 023		1	ENGAGING SLEEVE
8	1316 233 015		1	ENGAGING RING

SYNCHRONIZER KIT PLANETARY

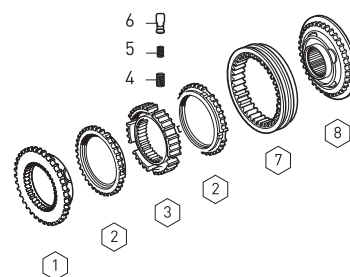
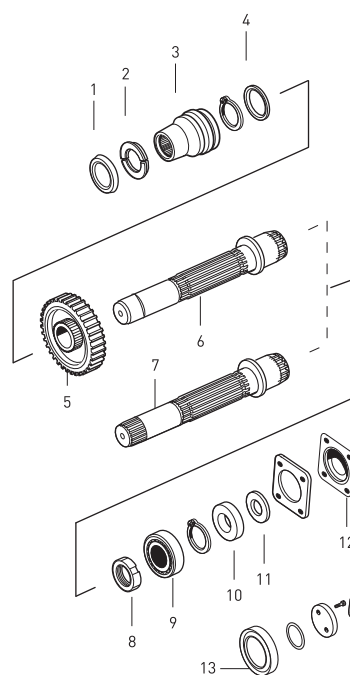


Fig	o. Oem No	Oem Old No	Pcs	Description
1	K20.01585 1315 298 001		Kit	GASKET KIT
2	1315 301 233		1	GASKET
3	0501 314 246		1	GASKET
3	0501 314 587		1	GASKET
4	1316 301 042		2	GASKET
4	1315 301 007		2	GASKET
5	0501 318 308		2	GASKET
6	1315 307 012		1	GASKET
7	1315 307 013		1	GASKET
8	0501 317 240		1	GASKET
9	1315 331 001		1	GASKET
10	1238 308 201		1	GASKET
1	0501 316 146		1	GASKET
1	1315 301 234		1	GASKET
12	1316 301 022		1	GASKET
13	1315 303 060		1	GASKET
14	1315 307 242		1	GASKET

GEARBOX GASKET KIT

Fig	o. Oem No	Oem Old No	Pcs	Description
1	1296 313 131		1	RETAINING RING
2	0730 104 627		1	SPLIT RING
3	1296 313 238		1	SLIDING SLEEVE
4	0730 104 628		1	THRUST WASHER
5	1296 313 082		1	GEAR 33 T
5	1296 313 083		1	GEAR 36 T
5	1296 313 084		1	GEAR 38 T
5	1296 313 085		1	GEAR 39 T
5	1296 313 086		1	GEAR 46 T
6	1296 213 028		1	INTERM.SHAFT
7	1296 213 028		1	INTERM.SHAFT (Milled)
8	1296 313 125		1	NUT
9	0735 410 139		1	ROLLER BEARING
10	7429 032 102		1	THRUST WASHER
1	1232 304 062		1	SHIM (1.00mm)
1	1232 304 063		1	SHIM (0.90mm)
1	1232 304 072		1	SHIM (0.70mm)
12	1250 313 190		1	COVER
13	0750 111 341		1	OIL SEAL

P.T.O. (POWER TAKEOFF)



GEARBOX 16S181

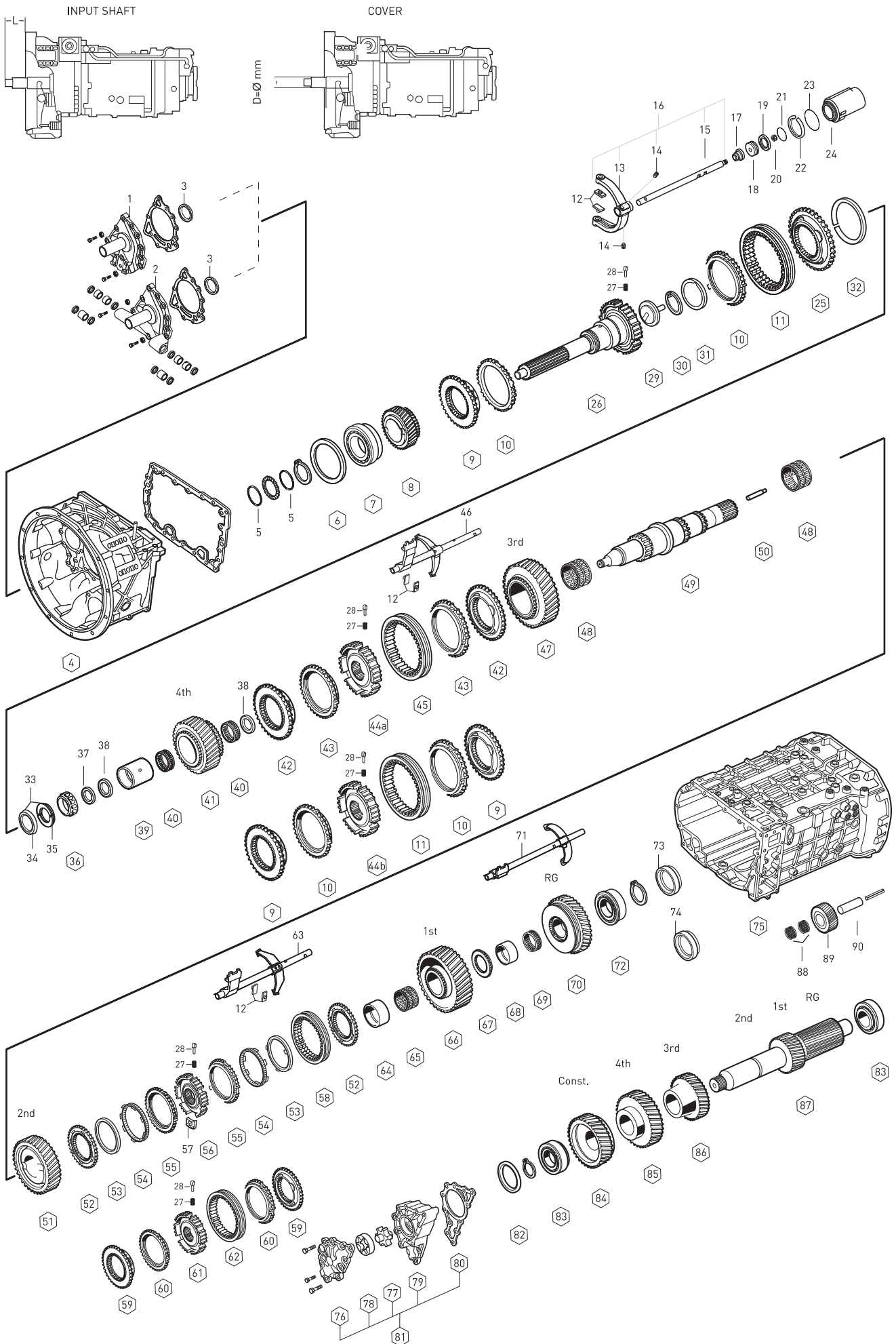


Fig.	Oem No	Oem Old No	Pcs	Description	Sizes	Notes	SG 13.80-0.84	DG 16.41-1.00
1	1315 302 075	(1315 402 075)	1	COVER	L=7 D=60	A	◆	◆
1	1315 302 136	(1315 402 136)	1	COVER	L=7 D=60	C	◆	◆
2	1315 302 072	(1315 402 072)	1	COVER	L=3 D=62.6	B	◆	◆
3	0734 310 387		1	OIL SEAL	55X75X8mm	ABC (1)	◆	◆
3	0734 319 514		1	OIL SEAL	52X72X8mm	D (2)	◆	◆
4	1316 201 142	(1316 301 064)	1	HOUSING		AB	◆	◆
4	1316 201 144	(1316 301 061)	1	HOUSING		C	◆	◆
4	1316 221 015	(1316 221 013)	1	HOUSING		D	◆	◆
5	0730 150 766		2	THRUST WASHER	3.30mm		◆	◆
6	0730 007 486		1	SHIM	2.00mm		◆	◆
6	0730 007 483		1	SHIM	1.85mm		◆	◆
6	0730 007 479		1	SHIM	1.65mm		◆	◆
6	0730 007 136		1	SHIM	1.60mm		◆	◆
6	0730 007 129		1	SHIM	1.25mm		◆	◆
6	0730 005 748		1	SHIM	0.90mm		◆	◆
6	2050 309 067		1	SHIM	0.30mm		◆	◆
6	0730 005 747		1	SHIM	0.25mm		◆	◆
6	2050 309 068		1	SHIM	0.20mm		◆	◆
6	2001673		1	SHIM	0.10mm		◆	◆
7	0750 117 732		1	ROLLER BEARING	85X150X30.5mm		◆	◆
8	1316 302 057		1	CONSTANT GEAR 35 T		ABCD	◆	◆
8	1316 302 066		1	CONSTANT GEAR 30 T		ABCD	◆	◆
8	1316 302 056		1	CONSTANT GEAR 30 T		ABCD	◆	◆
9	1312 304 027		1	ENGAGING RING			◆	◆
10	1297 304 484	(1297 304 402)	2	SYNCHRONIZING CONE			◆	◆
11	1310 304 202	(1312 302 057)	1	ENGAGING SLEEVE			◆	◆
		(1310 304 174)						
12	1316 306 015		6	SLIDING PAD			◆	◆
13	1315 312 074		1	G.SHIFT FORK			◆	◆
14	1315 312 047		2	SCREW			◆	◆
15	1316 312 023		1	G.SHIFT RAIL			◆	◆
16	1316 212 010		1	G.S.FORK and RAIL ASSY.			◆	◆
17	0750 112 253	(0750 112 131)	1	FLANGE PACKING	25.0X40.0X15.0mm		◆	◆
18	1312 312 020		1	PISTON			◆	◆
19	0750 112 177		1	DOUBLE PACKING	55.0X63.0X9.4mm		◆	◆
20	0737 006 095		1	NUT	M16X1.5mm		◆	◆
21	0634 313 320		1	O-RING	67.0X3.0mm		◆	◆
22	1315 312 034		1	SPRING			◆	◆
23	0634 313 018		1	O-RING	82.0X3.0mm		◆	◆
24	1316 312 015		1	CYLINDER			◆	◆
25	1312 304 056		1	ENGAGING RING			◆	◆

NOTES :

ABCD alfabetic letters are used in conjunction with the encoded parts.

Alphabetical Coding has been done according to Input Shaft

(1) With input shaft 1316 202 025-1316 202 026 - 1316 202 038

(2) With input shaft 1316 221 017

GEARBOX 16S181

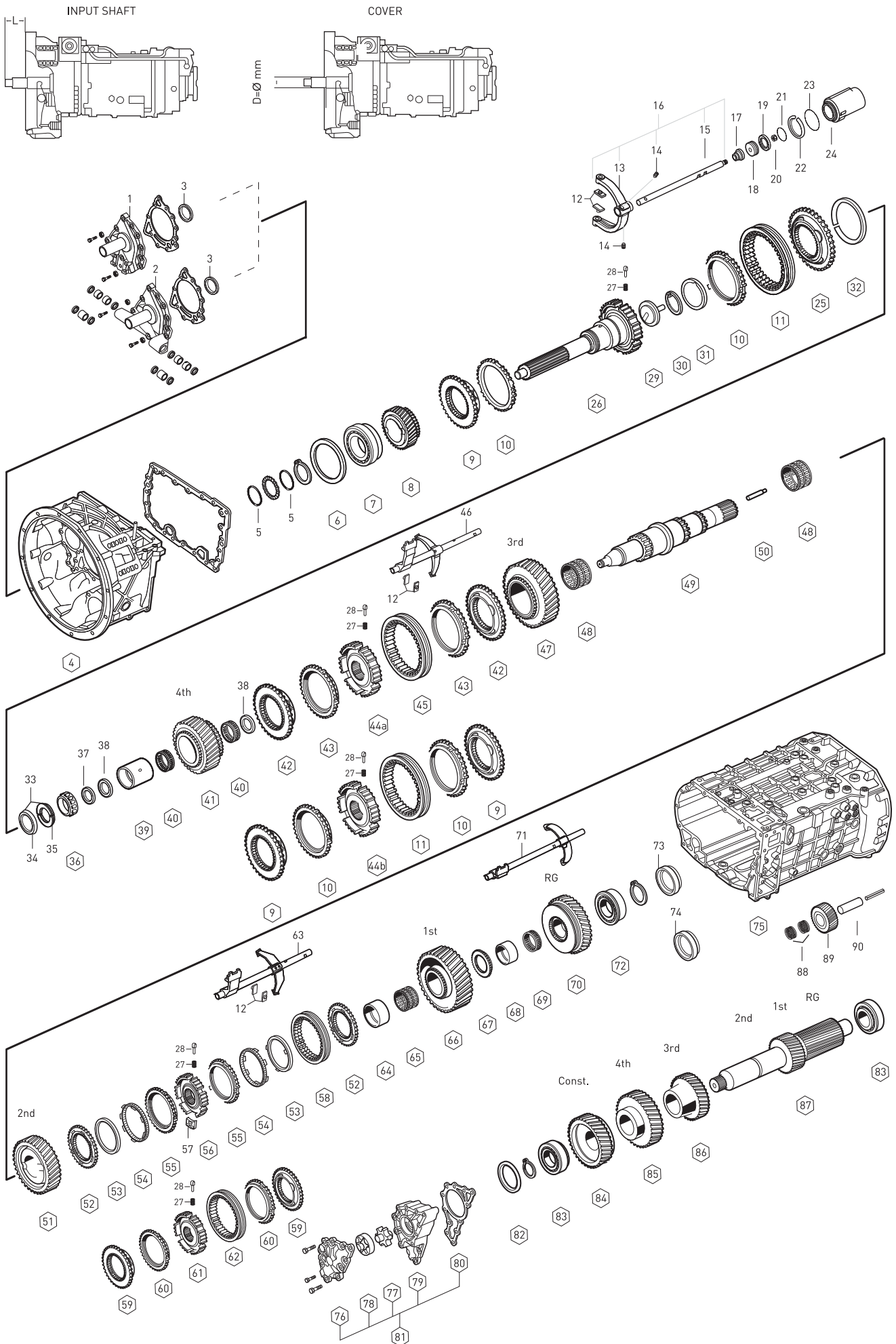


Fig.	Oem No	Oem Old No	Pcs	Description	Sizes	Notes	SG 13.80-0.84	DG 16.41-1.00
26	1316 202 025	(1316 302 085)	1	INPUT SHAFT	L=109 SAE 2	A	◆	◆
26	1316 202 026	(1316 302 079)	1	INPUT SHAFT	L=117 SAE 2	B	◆	◆
26	1316 202 038		1	INPUT SHAFT	L=109 SAE 2	C	◆	◆
26	1316 221 017		1	INPUT SHAFT	L=109 SAE 2	D	◆	◆
27	0732 040 409		9	SPRING			◆	◆
28	1297 304 436		9	PRESSURE PIECE			◆	◆
29	1315 302 196		1	OIL PIPET			◆	◆
30	0630 502 027		1	RETANING RING	472/50X2mm		◆	◆
31	0501 314 060		1	OIL SEAL			◆	◆
32	0730 006 171		1	RING	3.50mm		◆	◆
32	0730 005 465		1	RING	3.40mm		◆	◆
33	1499 298 027		1	SIPLIT RING KIT	5.00mm	(3)	◆	◆
33	1499 298 026		1	SIPLIT RING KIT	4.90mm	(4)	◆	◆
33	2001580		1	SIPLIT RING KIT	4.85mm	(5)	◆	◆
33	1499 298 025		1	SIPLIT RING KIT	4.80mm	(6)	◆	◆
33	1499 298 024		1	SIPLIT RING KIT	4.70mm	(7)	◆	◆
33	1499 298 023		1	SIPLIT RING KIT	4.60mm	(8)	◆	◆
34	0730 062 781		1	RETAINING RING			◆	◆
35	0730 107 023		2	SIPLIT RING	5.00mm		◆	◆
35	0730 107 022		2	SIPLIT RING	4.90mm		◆	◆
35	2001581		2	SIPLIT RING	4.85mm		◆	◆
35	0730 107 021		2	SIPLIT RING	4.80mm		◆	◆
35	0730 107 020		2	SIPLIT RING	4.70mm		◆	◆
35	0730 107 019		2	SIPLIT RING	4.60mm		◆	◆
36	0750 117 232		1	ROLLER BEARING	42X40.3mm		◆	◆
37	1315 304 048		1	THRUST WASHER	8.00mm		◆	◆
37	1315 304 047		1	THRUST WASHER	7.90mm		◆	◆
37	1315 304 046		1	THRUST WASHER	7.80mm		◆	◆
38	0750 101 158		2	THRUST WASHER			◆	◆
39	0750 119 124		1	BEARING RACE	67X77X66.1mm		◆	◆
40	0750 115 531	(0750 115 534)	2	NEEDLE CAGE	77X101X29mm		◆	◆
41	1316 304 103		1	GEAR 4th 32 T		ABCD	◆	◆
42	1316 304 159	(1316 304 145)	2	ENGAGING RING			◆	◆
9	1312 304 027		2	ENGAGING RING			◆	◆
43	1316 304 168	(1316 304 149)	2	SYNCHRONIZING CONE			◆	◆
10	1297 304 484	(1297 304 402)	2	SYNCHRONIZING CONE			◆	◆
44a	1316 304 162		1	GUIDE SLEEVE			◆	◆
44b	1312 304 052		1	GUIDE SLEEVE			◆	◆
45	1316 304 167	(1315 304 135)	1	ENGAGING SLEEVE			◆	◆
11	1310 304 202	(1312 302 057)	1	ENGAGING SLEEVE			◆	◆
		(1310 304 174)					◆	◆

NOTES :

ABCD alfabetic letters are used in conjunction with the encoded parts.

Alphabetical Coding has been done according to Input Shaft

(3) This kit includes [1499 298 027] = 2pcs 0730 107 023 + 1pcs 0730 062 781

(4) This kit includes [1499 298 026] = 2pcs 0730 107 022 + 1pcs 0730 062 781

(5) This kit includes [2001580] = 2pcs 2001581 + 1pcs 0730 062 781

(6) This kit includes [1499 298 025] = 2pcs 0730 107 021 + 1pcs 0730 062 781

(7) This kit includes [1499 298 024] = 2pcs 0730 107 020 + 1pcs 0730 062 781

(8) This kit includes [1499 298 023] = 2pcs 0730 107 019 + 1pcs 0730 062 781

GEARBOX 16S181

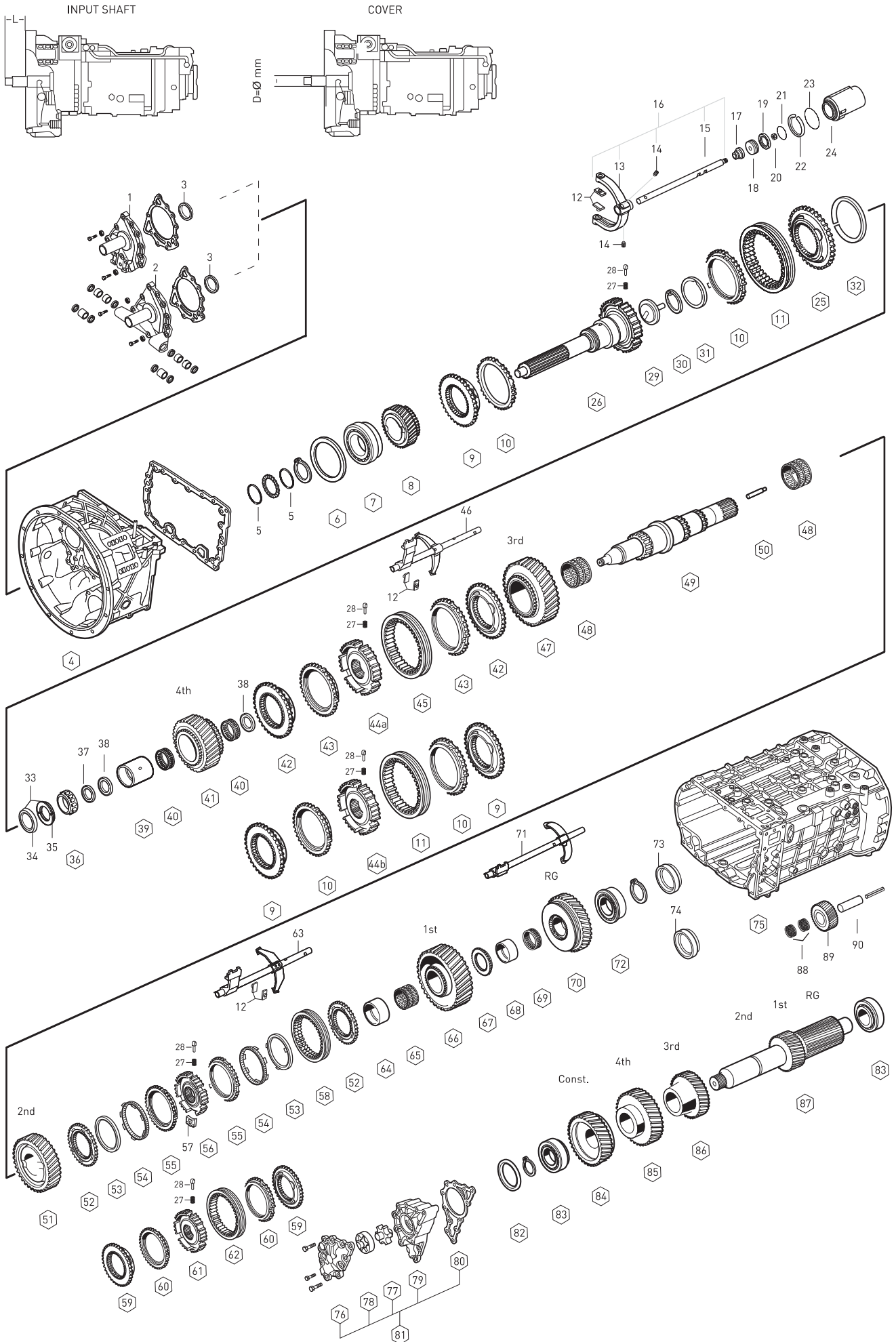


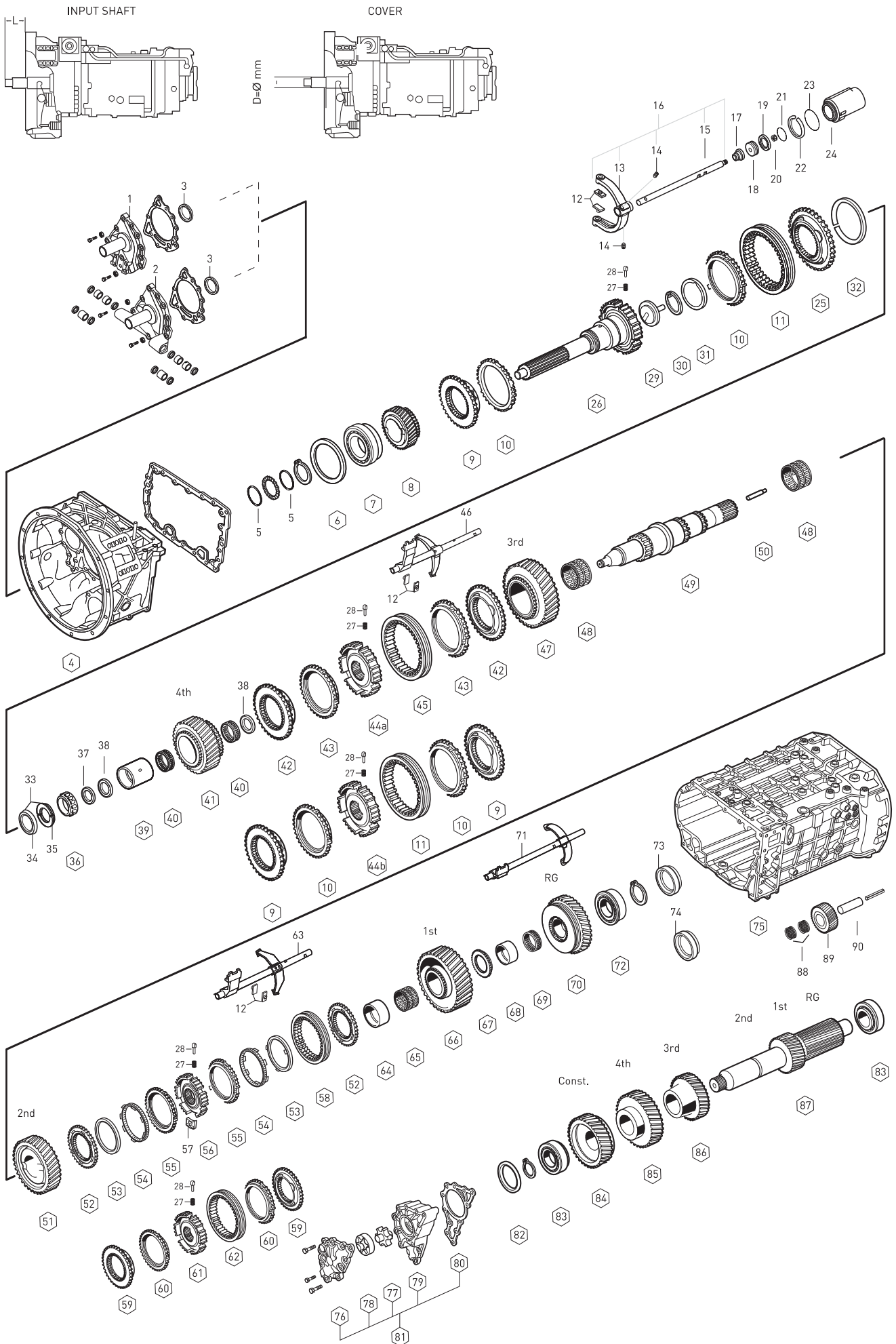
Fig.	Oem No	Oem Old No	Pcs	Description	Sizes	Notes	SG 13.80-0.84	DG 16.41-1.00
46	1316 206 047		1	GEAR SHIT FORK 3rd/4th			◆	◆
47	1316 304 094		1	GEAR 3rd 34 T		ABCD	◆	◆
48	0750 115 303		2	NEEDLE CAGE	92X100X63mm		◆	◆
49	1316 304 132	(1316 304 079)	1	MAIN SHAFT		ABCD	◆	◆
50	1312 304 150		1	OIL PIPE			◆	◆
51	1316 304 002		1	GEAR 2nd 38 T			◆	◆
52	1312 304 106		2	ENGAGING RING			◆	◆
53	1268 304 424		2	SYNCHRONIZING CONE			◆	◆
54	1268 304 494	(1268 304 491)	2	INTERMEDIATE CONE			◆	◆
55	1268 304 525		2	SYNCHRONIZING CONE			◆	◆
56	1312 304 158		1	GUIDE SLEEVE			◆	◆
57	1312 304 159		3	SLIDING BLOCK			◆	◆
58	1310 304 175	(1312 304 157)	1	ENGAGING SLEEVE			◆	◆
59a	1316 304 156		2	ENGAGING RING			◆	◆
59b	1313 304 009		2	ENGAGING RING			◆	◆
60a	1316 304 170	(1316 304 150)	2	SYNCHRONIZING CONE			◆	◆
60b	1297 304 485	(1297 304 401)	2	SYNCHRONIZING CONE			◆	◆
61a	1316 304 163		1	GUIDE SLEEVE			◆	◆
61b	1313 304 008		1	GUIDE SLEEVE			◆	◆
62a	1316 304 169	(1315 304 136)	1	ENGAGING SLEEVE			◆	◆
62b	1316 304 078		1	ENGAGING SLEEVE			◆	◆
63	1316 206 043		1	GEAR SHIT FORK 1st/2nd			◆	◆
64	1312 304 084		1	BEARING RACE			◆	◆
65	0750 115 327		1	NEEDLE CAGE	96X104X72mm		◆	◆
66	1316 304 010		1	GEAR 1st 47 T		ABCD	◆	◆
67	1312 304 124		1	HUB			◆	◆
68	1316 304 133	(1312 304 082)	1	BEARING RACE			◆	◆
69	0750 115 326		1	NEEDLE CAGE	90X98X50mm		◆	◆
70	1316 304 012		1	REVERSE GEAR 44 T		ABCD	◆	◆
71	1316 206 050		1	GEAR SHIT FORK/RG			◆	◆
72	0750 117 678		1	ROLLER BEARING	80X140X36.5mm		◆	◆
73	1316 332 109		1	WASHER [Retarder]			◆	◆
74	1315 332 073		1	WASHER [NEW]			◆	◆
75	1316 201 117	(1316 201 072)	1	HOUSING		AC	◆	◆
75	1316 201 110		1	HOUSING		BD	◆	◆
75	1316 201 111		1	HOUSING		C	◆	◆
76	1315 302 120	(1315 302 116)	1	PUMP COVER			◆	◆
		(1315 402 120)						
77	1314 202 039		1	PUMP GEAR		ABC	◆	◆
78	1315 303 027		1	ROTOR		ABC	◆	◆
79	1315 302 121	(1315 302 117)	1	PUMP HOUSING			◆	◆

NOTES :

ABCD alfabetic letters are used in conjunction with the encoded parts.
 Alphabetical Coding has been done according to Input Shaft

16 S 181

GEARBOX 16S181



SG 13.80-0.84
DG 16.41-1.00

Fig.	Oem No	Oem Old No	Pcs	Description	Sizes	Notes		
79	1315 302 121	(1315 402 121)	1	PUMP HOUSING			◆	◆
80	1315 303 060	(0501 314 747)	1	GASKET			◆	◆
81	2000570		KIT	OIL PUMP ASSY.			◆	◆
82	0730 106 917		1	SHIM	3.00mm		◆	◆
82	0730 106 909		1	SHIM	2.60mm		◆	◆
82	0730 101 467		1	SHIM	2.20mm		◆	◆
82	0730 106 905		1	SHIM	1.85mm		◆	◆
82	2001678		1	SHIM	0.30mm		◆	◆
82	2001679		1	SHIM	0.20mm		◆	◆
82	2001680		1	SHIM	0.10mm		◆	◆
83	0750 117 009		2	ROLLER BEARING	49.2X103.1X43.6mm		◆	◆
84	1316 303 056		1	CONS.GEAR 32 T		ABCD	◆	
84	1316 303 055		1	CONS.GEAR 39 T		ABCD		◆
85	1316 303 063		1	GEAR 4th 35 T		ABCD	◆	◆
86	1316 303 058		1	GEAR 3rd 26 T		ABCD	◆	◆
87	1316 303 033		1	COUNTER SHAFT 17-20 T		ABCD	◆	◆
88	0750 115 369		2	NEEDLE CAGE	45.0X57.0X25.0mm		◆	◆
89	1316 305 001		1	REV.IDLER GEAR			◆	◆
90	1316 201 029		1	PIN			◆	◆

NOTES _____:

ABCD alfabetic letters are used in conjunction with the encoded parts.
Alphabetical Coding has been done according to Input Shaft

16 S 181

GEARBOX 16S181

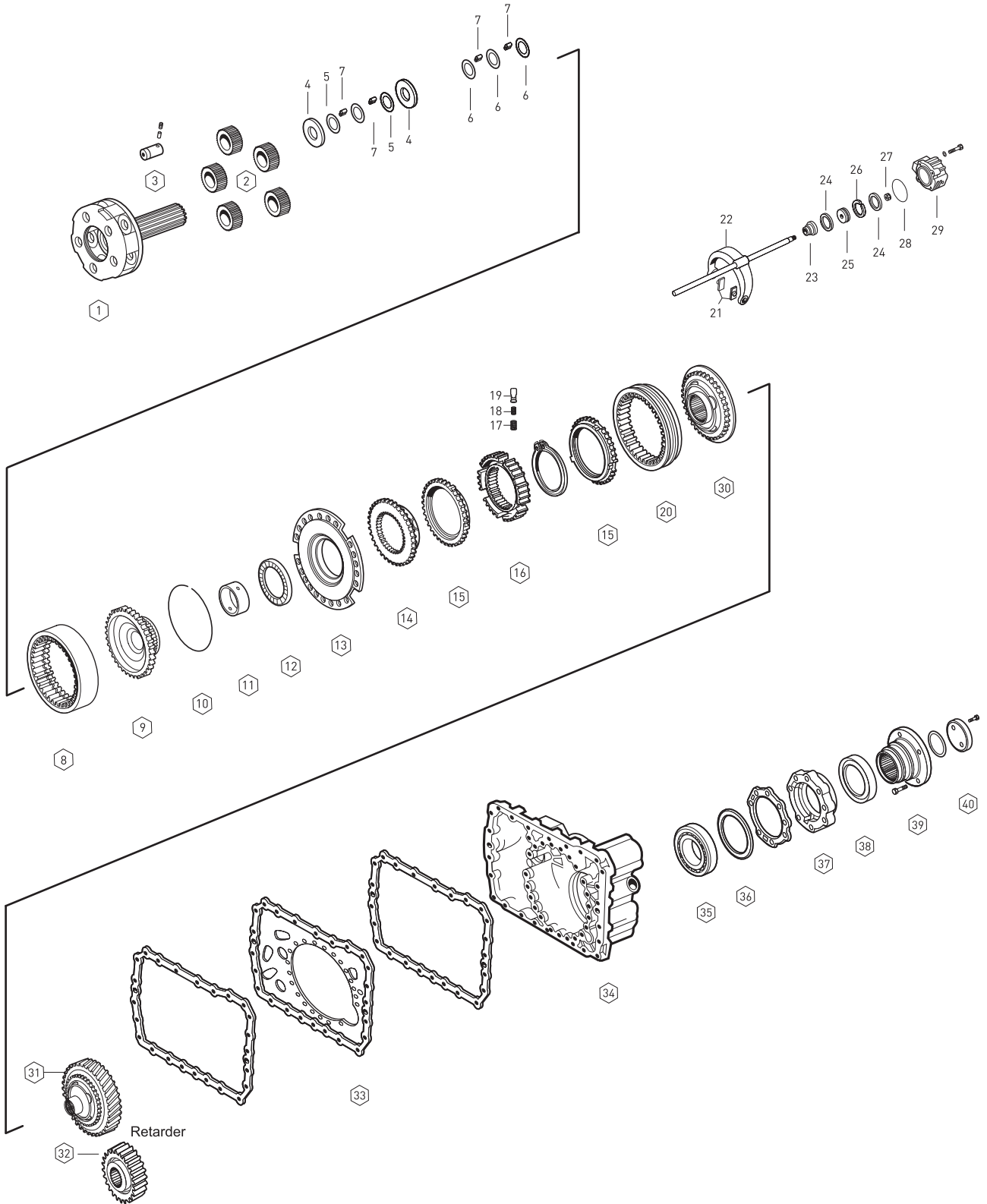
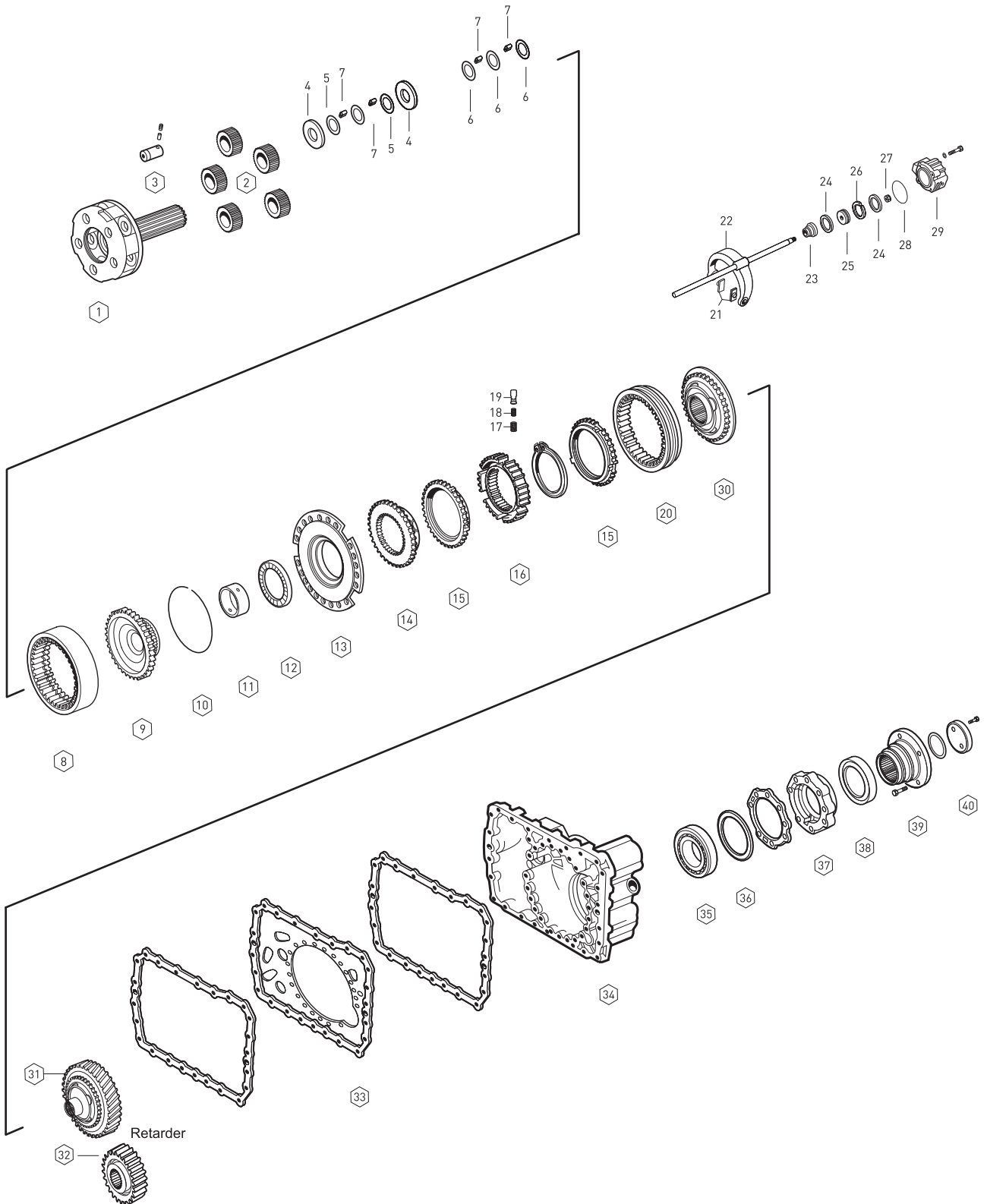


Fig.	Oem No	Oem Old No	Pcs	Description	Sizes	Notes	SG 13.80-0.84	DG 16.41-1.00
1	1316 232 019		1	PLANETARY CARRIER		A	◆	◆
1	1315 232 017		1	PLANETARY CARRIER		B	◆	◆
2	1316 232 011		5	PLANETARY GEAR SET		A	◆	◆
2	1315 232 010		5	PLANETARY GEAR SET		B	◆	◆
3	1316 332 096	(1316 332 038)	5	PLANET SHAFT		A	◆	◆
3	1315 332 053	(1315 332 044)	5	PLANET SHAFT		B	◆	◆
4	0730 109 323		10	THRUST WASHER		A	◆	◆
4	0501 308 981		10	THRUST WASHER		B	◆	◆
5	0730 109 309		5	THRUST WASHER		A	◆	◆
6	0730 107 168		15	THRUST WASHER		B	◆	◆
7	0750 119 116		140	NEEDLE ROLLER	10X16.8mm	AB	◆	◆
8	1315 332 041		1	RING WHEEL			◆	◆
9	1316 332 103		1	CARRIER HUB			◆	◆
10	0730 513 583		1	SPRING RING	3,20mm		◆	◆
11	1316 333 014		1	BUSHING		AB	◆	◆
12	0735 298 169		1	NEEDLE BEARING	104,5X128,4X10mm	AB	◆	◆
13	1296 333 046	(1296 333 039)	1	FLANGE			◆	◆
14	1296 333 050		1	ENGAGING RING			◆	◆
15	1296 333 045	(1296 333 022)	2	SYNCHRONIZING CONE			◆	◆
16	1313 333 001		1	GUIDE SLEEVE			◆	◆
17	0732 040 385		9	SPRING			◆	◆
18	0732 040 386		9	SPRING			◆	◆
19	1240 304 278		9	PRESSURE PIECE			◆	◆
20	1296 333 023		1	ENGAGING SLEEVE			◆	◆
21	1296 334 004		2	SLIDING PAD			◆	◆
22	1316 334 010		1	GEAR SHIFT FORK			◆	◆
23	0750 112 253	(0750 112 131)	1	FLANGE PACKING	25.0X40,0X15.0mm		◆	◆
24	0734 307 294	(0734 307 280)	2	SEALING RING			◆	◆
25	1315 334 034	(1315 334 063)	1	PISTON			◆	◆
26	0750 112 066		1	GUIDE RING			◆	◆
27	0737 006 095		1	NUT	M16X1.5mm		◆	◆
28	0501 317 536		1	O-RING	94.0X3.0mm		◆	◆
29	1315 334 056		1	CYLINDER			◆	◆
30	1316 233 015		1	ENGAGING RING			◆	◆
31	1316 233 014		1	ENGAGING RING	Retarder		◆	◆
32	6085 301 012		1	GEAR (29 T)	Retarder		◆	◆
33	1315 301 118		1	INTERM.PLATE			◆	◆
34	1315 301 224	(1315 301 223)	1	HOUSING			◆	◆
35	0750 116 002		1	ROLLER BEARING	90X160X30mm		◆	◆
36	0730 100 115		1	SHIM	0.30mm		◆	◆
36	0730 100 116		1	SHIM	0.20mm		◆	◆

NOTES :

A : Alphabetical letters used in conjunction with these products are classified.
B : Alphabetical letters used in conjunction with these products are classified.

GEARBOX 16S181



GEARBOX 16S181

SYNCHRONIZER KIT CONST.

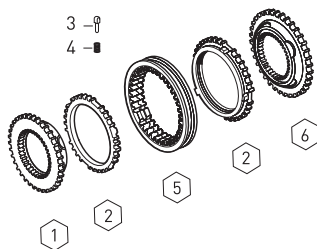


Fig.	o. Oem No	Oem Old No	Pcs	Description
	1297 298 955		Kit	SYNCHRONIZER KIT Const
1	1312 304 027		1	ENGAGING RING
2	1297 304 484	(1297 304 402)	2	SYNCHRONIZING CONE
3	1297 304 436		3	PRESSURE PIECE
4	0732 040 409		3	SPRING
5	1310 304 202	(1312 302 057)	1	ENGAGING SLEEVE
		(1310 304 174)		
6	1312 304 056		1	ENGAGING RING

SYNCHRONIZER KIT 3rd/4th/CONST.

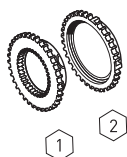


Fig.	o. Oem No	Oem Old No	Pcs	Description
	1312 204 031		Kit	SYNCH.KIT 3rd/4th/Const.
1	1312 304 027		1	ENGAGING RING
2	1297 304 484	(1297 304 402)	1	SYNCHRONIZING CONE

SYNCHRONIZER KIT 3rd/4th

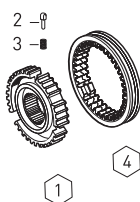


Fig.	o. Oem No	Oem Old No	Pcs	Description
	1312 204 028		Kit	SYNCH.KIT 3rd/4th
1	1312 304 052		1	GUIDE SLEEVE
2	1297 304 436		3	PRESSURE PIECE
3	0732 040 409		3	SPRING
4	1310 304 202	(1312 302 057)	1	ENGAGING SLEEVE
		(1310 304 174)		

SYNCHRONIZER KIT 3rd/4th

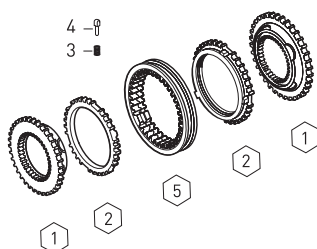


Fig.	o. Oem No	Oem Old No	Pcs	Description
	1315 298 030		Kit	SYNCH.KIT 3rd/4th
1	1312 304 027		2	ENGAGING RING
2	1297 304 484	(1297 304 402)	2	SYNCHRONIZING CONE
3	1297 304 436		3	PRESSURE PIECE
4	0732 040 409		3	SPRING
5	1310 304 202	(1312 302 057)	1	ENGAGING SLEEVE
		(1310 304 174)		

SYNCHRONIZER KIT 3rd/4th

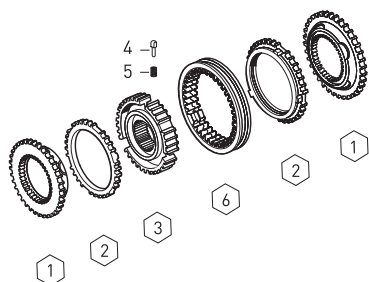


Fig.	. Oem No	Oem Old No	Pcs	Description
	1315 298 018		Kit	SYNCH.KIT 3rd/4th
1	1312 304 027		2	ENGAGING RING
2	1297 304 484	(1297 304 402)	2	SYNCHRONIZING CONE
3	1312 304 052		1	GUIDE SLEEVE
4	1297 304 436		3	PRESSURE PIECE
5	0732 040 409		3	SPRING
6	1310 304 202	(1312 302 057)	1	ENGAGING SLEEVE
		(1310 304 174)		

Fig.	. Oem No	Oem Old No	Pcs	Description
	1315 298 061	(1316 204 016)	Kit	SYNCH.KIT 3rd/4th
1	1316 304 159	(1316 304 145)	2	ENGAGING RING
2	1316 304 168	(1316 304 149)	2	SYNCHRONIZING CONE
3	1316 304 162		1	GUIDE SLEEVE
4	1297 304 436		3	PRESSURE PIECE
5	0732 040 409		3	SPRING
6	1316 304 167	(1315 304 135)	1	ENGAGING SLEEVE

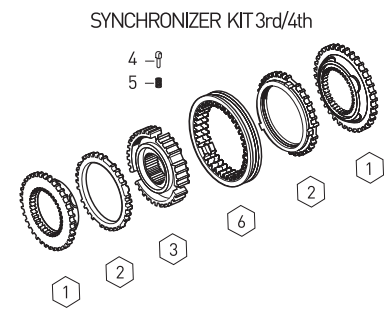


Fig.	. Oem No	Oem Old No	Pcs	Description
	1316 204 014		Kit	SYNCH.KIT 3rd/4th
1	1316 304 168	(1316 304 149)	2	SYNCHRONIZING CONE
2	1316 304 162		1	GUIDE SLEEVE
3	1297 304 436		3	PRESSURE PIECE
4	0732 040 409		3	SPRING
5	1316 304 167	(1315 304 135)	1	ENGAGING SLEEVE



Fig.	. Oem No	Oem Old No	Pcs	Description
	1313 204 009		Kit	SYNCH.KIT 1st/2nd
1	1313 304 009		1	ENGAGING RING
2	1297 304 485	(1297 304 401)	1	SYNCHRONIZING CONE



Fig.	. Oem No	Oem Old No	Pcs	Description
	1313 204 008		Kit	SYNCH.KIT 1st/2nd
1	1313 304 008		1	GUIDE SLEEVE
2	1297 304 436		3	PRESSURE PIECE
3	0732 040 409		3	SPRING
4	1316 304 078		1	ENGAGING SLEEVE



Fig.	. Oem No	Oem Old No	Pcs	Description
	1313 204 003		Kit	SYNCH.KIT 1st/2nd
1	1297 304 485	(1297 304 401)	2	SYNCH.CONE
2	1313 304 008		1	GUIDE SLEEVE
3	1297 304 436		3	PRESSURE PIECE
4	0732 040 409		3	SPRING
5	1316 304 078		1	ENGAGING SLEEVE

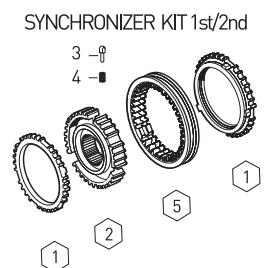
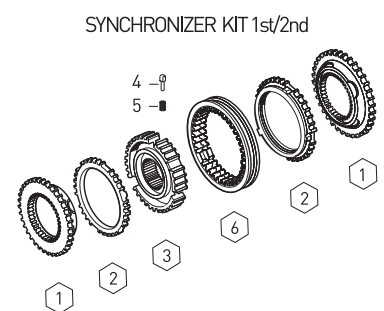


Fig.	. Oem No	Oem Old No	Pcs	Description
	1313 298 909		Kit	SYNCH.KIT 1st/2nd
1	1313 304 009		2	ENGAGING RING
2	1297 304 485	(1297 304 401)	2	SYNCH.CONE
3	1313 304 008		1	GUIDE SLEEVE
4	1297 304 436		3	PRESSURE PIECE
5	0732 040 409		3	SPRING
6	1316 304 078		1	ENGAGING SLEEVE



GEARBOX 16S181

SYNCHRONIZER KIT 1st/2nd

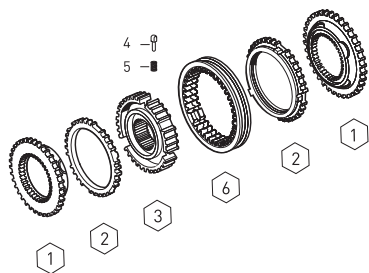


Fig.	. Oem No	Oem Old No	Pcs	Description
	1315 298 060	(1316 204 017)	Kit	SYNCH.KIT 1st/2nd
1	1316 304 156		2	ENGAGING RING
2	1316 304 170	(1316 304 150)	2	SYNCH.CONE
3	1316 304 163		1	GUIDE SLEEVE
4	1297 304 436		3	PRESSURE PIECE
5	0732 040 409		3	SPRING
6	1316 304 169	(1315 304 136)	1	ENGAGING SLEEVE

SYNCHRONIZER KIT 1st/2nd

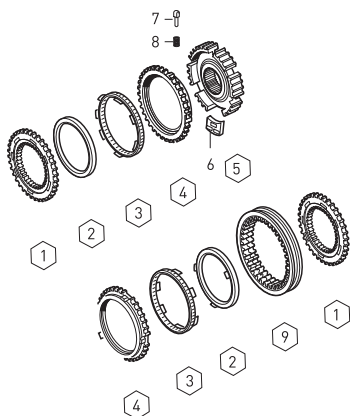


Fig.	. Oem No	Oem Old No	Pcs.	Description
	1315 204 006	(1312 298 911)	Kit	SYNCH.KIT 1st/2nd
1	1312 304 106		2	ENGAGING RING
2	1268 304 424		2	SYNCHRONIZING CONE
3	1268 304 494	(1268 304 491)	2	INTERMEDIATE CONE
4	1268 304 525		2	SYNCHRONIZING CONE
5	1312 304 158		1	GUIDE SLEEVE
6	1312 304 159		3	SLIDING BLOCK
7	1297 304 436		3	PRESSURE PIECE
8	0732 040 409		3	SPRING
9	1310 304 175	(1312 304 157)	1	ENGAGING SLEEVE

SYNCHRONIZER KIT PLANETARY

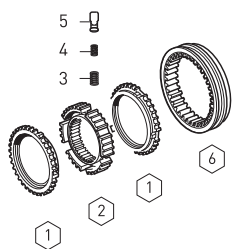


Fig.	. Oem No	Oem Old No	Pcs.	Description
	1315 233 029		Kit	SYNCHRONIZER KIT
1	1296 333 045	(1296 333 022)	2	SYNCHRONIZING CONE
2	1313 333 001		1	GUIDE SLEEVE
3	0732 040 385		9	SPRING
4	0732 040 386		9	SPRING
5	1240 304 278		9	PRESSURE PIECE
6	1296 333 023		1	ENGAGING SLEEVE

SYNCHRONIZER KIT PLANETARY

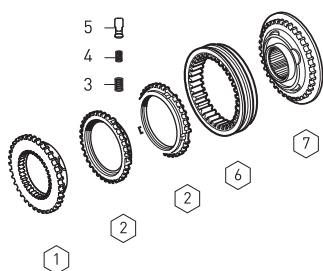


Fig.	. Oem No	Oem Old No	Pcs.	Description
	1315 298 034		K	SYNCHRONIZER KIT
1	1296 333 050		1	ENGAGING RING
2	1296 333 045	(1296 333 022)	2	SYNCHRONIZING CONE
3	0732 040 385		9	SPRING
4	0732 040 386		9	SPRING
5	1240 304 278		9	PRESSURE PIECE
6	1296 333 023		1	ENGAGING SLEEVE
7	1316 233 015		1	ENGAGING RING

Fig.	o. Oem No	Oem Old No	Pcs	Description
	1315 298 029		Kit	SYNCHRONIZER KIT
1	1296 333 050		1	ENGAGING RING
2	1296 333 045	(1296 333 022)	2	SYNCHRONIZING CONE
3	1313 333 001		1	GUIDE SLEEVE
4	0732 040 385		9	SPRING
5	0732 040 386		9	SPRING
6	1240 304 278		9	PRESSURE PIECE
7	1296 333 023		1	ENGAGING SLEEVE
8	1316 233 015		1	ENGAGING RING

SYNCHRONIZER KIT PLANETARY

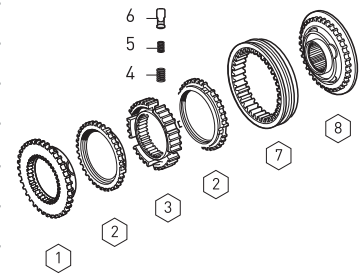
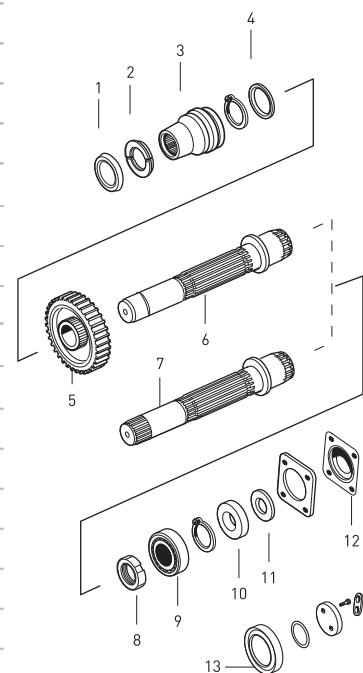


Fig.	o. Oem No	Oem Old No	Pcs	Description
1	K20.01585 1315 298 001		Kit	GASKET KIT
2	1315 301 233		1	GASKET
3	0501 314 246		1	GASKET
3	0501 314 587		1	GASKET
4	1316 301 042		2	GASKET
4	1315 301 007		2	GASKET
5	0501 318 308		2	GASKET
6	1315 307 012		1	GASKET
7	1315 307 013		1	GASKET
8	0501 317 240		1	GASKET
9	1315 331 001		1	GASKET
10	1238 308 201		1	GASKET
11	0501 316 146		1	GASKET
11	1315 301 234		1	GASKET
12	1316 301 022		1	GASKET
13	1315 303 060		1	GASKET
14	1315 307 242		1	GASKET

GEARBOX GASKET KIT

Fig.	o. Oem No	Oem Old No	Pcs	Description
1	1296 313 131		1	RETAINING RING
2	0730 104 627		1	SPLIT RING
3	1296 313 238		1	SLIDING SLEEVE
4	0730 104 628		1	THRUST WASHER
5	1296 313 082		1	GEAR 33 T
5	1296 313 083		1	GEAR 36 T
5	1296 313 084		1	GEAR 38 T
5	1296 313 085		1	GEAR 39 T
5	1296 313 086		1	GEAR 46 T
6	1296 213 028		1	INTERM.SHAFT
7	1296 213 028		1	INTERM.SHAFT (Milled)
8	1296 313 125		1	NUT
9	0735 410 139		1	ROLLER BEARING
10	7429 032 102		1	THRUST WASHER
11	1232 304 062		1	SHIM (1.00mm)
11	1232 304 063		1	SHIM (0.90mm)
11	1232 304 072		1	SHIM (0.70mm)
12	1250 313 190		1	COVER
13	0750 111 341		1	OIL SEAL

P.T.O. (POWER TAKE OFF)



GEARBOX 16S221

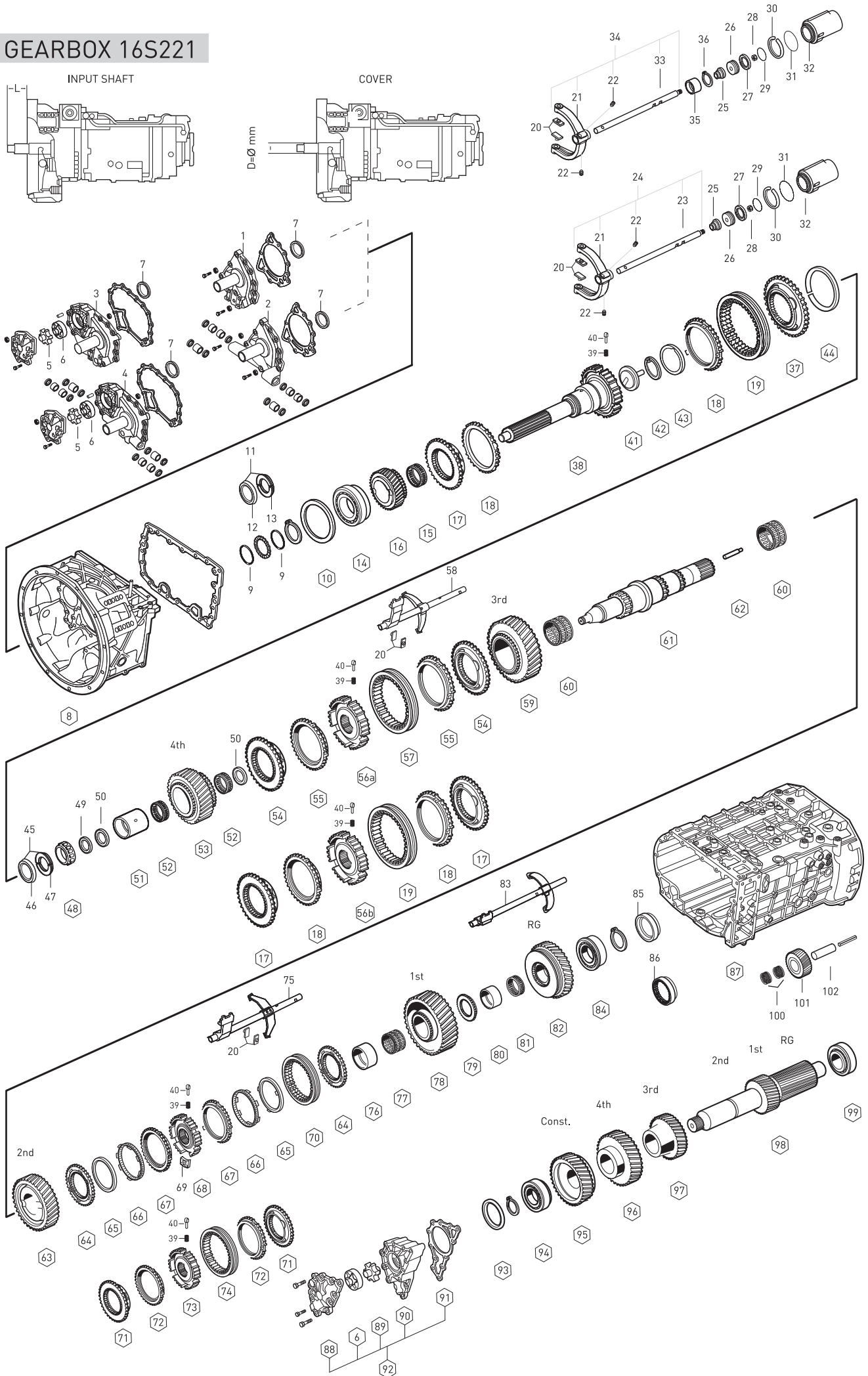


Fig.	Oem No	Oem Old No	Pcs	Description	Sizes	Notes	SG 13.80-0.84	SG 13.85-0.84	SG 13.86-0.84	DG 16.41-1.00	DG 16.47-1.00	DG 16.53-1.00
1	1315 302 075	(1315 402 075)	1	COVER	L=7 D=60	A	◆		◆			
1	1315 302 136	(1315 402 136)	1	COVER	L=7 D=60	C				◆	◆	
2	1315 302 072	(1315 402 072)	1	COVER	L=3 D=62.6	B	◆		◆			
2	1315 302 106	(1315 402 106)	1	COVER	L=7 D=66	C	◆		◆			
2	1315 202 060	(4130 406 306)	1	COVER		G	◆		◆	◆	◆	
3	1315 302 047		1	COVER	L=7 D=60	A				◆	◆	
4	1315 302 057		1	COVER	L=7 D=60	B				◆	◆	
5	1315 202 014		1	OIL PUMP GEAR			◆	◆	◆	◆	◆	◆
6	1315 303 027		1	ROTOR			◆	◆	◆	◆	◆	◆
7	0734 310 387		1	OIL SEAL	55X75X8mm	ABCEF (1)	◆	◆	◆	◆	◆	◆
7	0734 319 514		1	OIL SEAL	52X72X8mm	D (2)	◆		◆	◆	◆	◆
7	0734 310 104		1	OIL SEAL	52X68X8mm	G (3)	◆		◆	◆	◆	◆
8	1316 201 142	(1316 301 064)	1	HOUSING		ABC	◆		◆	◆	◆	
8	1316 221 015	(1316 221 013)	1	HOUSING		D	◆		◆	◆	◆	
8	1316 201 154	(1316 301 092)	1	HOUSING		G	◆		◆	◆	◆	
9	0730 150 766		2	THRUST WASHER	3.30mm		◆	◆	◆	◆	◆	◆
10	0730 007 486		1	SHIM	2.00mm		◆	◆	◆	◆	◆	◆
10	0730 007 483		1	SHIM	1.85mm		◆	◆	◆	◆	◆	◆
10	0730 007 479		1	SHIM	1.65mm		◆	◆	◆	◆	◆	◆
10	0730 007 136		1	SHIM	1.60mm		◆	◆	◆	◆	◆	◆
10	0730 007 129		1	SHIM	1.25mm		◆	◆	◆	◆	◆	◆
10	0730 005 748		1	SHIM	0.90mm		◆	◆	◆	◆	◆	◆
10	2050 309 067		1	SHIM	0.30mm		◆	◆	◆	◆	◆	◆
10	0730 005 747		1	SHIM	0.25mm		◆	◆	◆	◆	◆	◆
10	2050 309 068		1	SHIM	0.20mm		◆	◆	◆	◆	◆	◆
10	2001673		1	SHIM	0.10mm		◆	◆	◆	◆	◆	◆
11	1499 298 038		1	SIPLIT RING KIT	4.20mm	(4)		◆			◆	
11	1499 298 036		1	SIPLIT RING KIT	4.10mm	(5)		◆			◆	
11	1499 298 034		1	SIPLIT RING KIT	4.00mm	(6)		◆			◆	
11	1499 298 032		1	SIPLIT RING KIT	3.90mm	(7)		◆			◆	
11	1499 298 030		1	SIPLIT RING KIT	3.80mm	(8)		◆			◆	
12	0730 062 579		1	RETAINING RING				◆			◆	
13	0730 108 147		2	SIPLIT RING	4.20mm			◆			◆	
13	0730 108 145		2	SIPLIT RING	4.10mm			◆			◆	
13	0730 108 143		2	SIPLIT RING	4.00mm			◆			◆	
13	0730 108 141		2	SIPLIT RING	3.90mm			◆			◆	
13	0730 108 139		2	SIPLIT RING	3.80mm			◆			◆	
14	0750 117 732		1	ROLLER BEARING	85X150X30.5mm		◆		◆	◆	◆	
14	0750 117 431		1	ROLLER BEARING	75X150X30.5mm			◆				◆
15	0735 320 950		2	NEEDLE CAGE	93X101X32.5mm	(9)		◆				◆
16	1316 302 065		1	CONSTANT GEAR 34 T		ABCDG	◆					

NOTES :

- ABCDEF G alphabetic letters are used in conjunction with the encoded parts.
- Alphabetical Coding has been done according to Input Shaft
- (1) With input shaft 1316 202 025-1316 202 026-1316 202 038-1316 202 014-1316 202 015
- (2) With input shaft 1316 221 017
- (3) With input shaft 1316 202 033
- (4) This kit includes [1499 298 038] = 2pcs 0730 108 147 + 1pcs 0730 062 579
- (5) This kit includes [1499 298 036] = 2pcs 0730 108 145 + 1pcs 0730 062 579
- (6) This kit includes [1499 298 034] = 2pcs 0730 108 143 + 1pcs 0730 062 579
- (7) This kit includes [1499 298 032] = 2pcs 0730 108 141 + 1pcs 0730 062 579
- (8) This kit includes [1499 298 030] = 2pcs 0730 108 139 + 1pcs 0730 062 579
- (9) With input shaft and Const.gear 1316 302 014-1316 302 015 / 1316 302 001-1316 302 002

16 S 221

GEARBOX 16S221

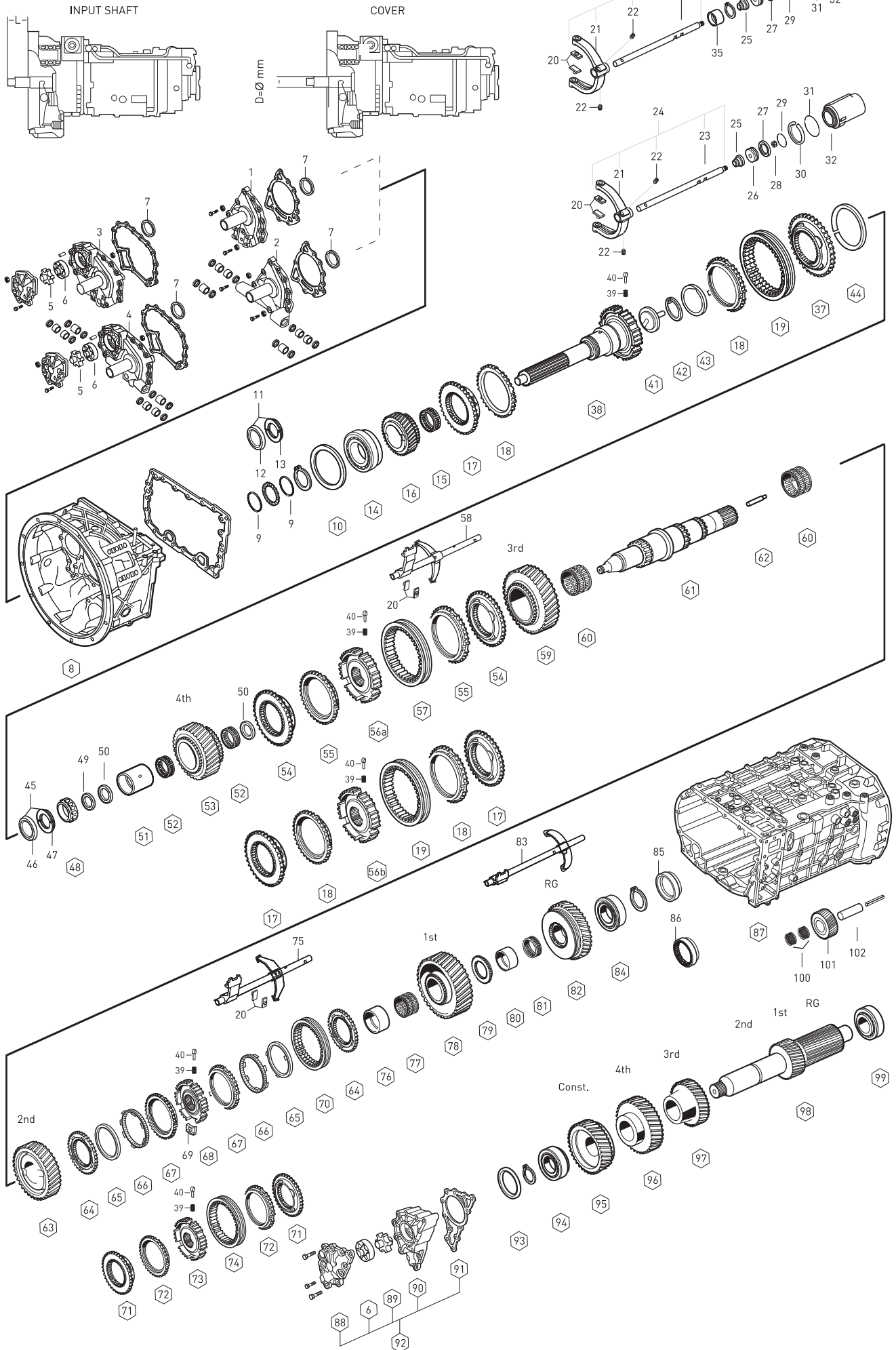


Fig	Oem No	Oem Old No	Pcs	Description	Sizes	Notes	SG 13.80-0.84	SG 13.85-0.84	SG 13.86-0.84	DG 16.41-1.00	DG 16.47-1.00	DG 16.53-1.00
16	1316 302 002		1	CONSTANT GEAR 34 T		EF	◆					
16	1316 302 067		1	CONSTANT GEAR 35 T		ABCDG		◆				
16	1316 302 066		1	CONSTANT GEAR 30 T		ABCDG			◆	◆	◆	
16	1316 302 001		1	CONSTANT GEAR 30 T		EF						◆
17	1312 304 027		1	ENGAGING RING			◆	◆	◆	◆	◆	◆
18	1297 304 484	(1297 304 402)	2	SYNCHRONIZING CONE			◆	◆	◆	◆	◆	◆
19	1310 304 202	(1312 302 057)	1	ENGAGING SLEEVE			◆	◆	◆	◆	◆	◆
		(1310 304 174)										
20	1316 306 015		6	SLIDING PAD			◆	◆	◆	◆	◆	◆
21	1315 312 074		1	G.SHIFT FORK			◆	◆	◆	◆	◆	◆
22	1315 312 047		2	SCREW	M12X1.0mm		◆	◆	◆	◆	◆	◆
23	1316 312 023		1	G.SHIFT RAIL			◆	◆	◆	◆	◆	◆
24	1316 212 010		1	G.SHIFT RAIL ASSY.			◆	◆	◆	◆	◆	◆
25	0750 112 253	(0750 112 131)	1	FLANGE PACKING	25.0X40.0X15.0mm		◆	◆	◆	◆	◆	◆
26	1312 312 020		1	PISTON			◆	◆	◆	◆	◆	◆
27	0750 112 177		1	DOUBLE PACKING	55.0X63.0X9.4mm		◆	◆	◆	◆	◆	◆
28	0737 006 095		1	NUT	M16X1.5mm		◆	◆	◆	◆	◆	◆
29	0634 313 320		1	O-RING	67.0X3.0mm		◆	◆	◆	◆	◆	◆
30	1315 312 034		1	SPRING			◆	◆	◆	◆	◆	◆
31	0634 313 018		1	O-RING	82.0X3.0mm		◆	◆	◆	◆	◆	◆
32	1316 312 015		1	CYLINDER			◆	◆	◆	◆	◆	◆
33	1316 312 024		1	G.SHIFT RAIL			◆	◆	◆	◆	◆	◆
34	1316 212 008		1	G.SHIFT RAIL ASSY.			◆	◆	◆	◆	◆	◆
35	0730 260 396		1	BUSHING			◆	◆	◆	◆	◆	◆
36	0630 502 021		1	RETAINING RING			◆	◆	◆	◆	◆	◆
37	1312 304 056		1	ENGAGING RING			◆	◆	◆	◆	◆	◆
38	1316 202 025	(1316 302 085)	1	INPUT SHAFT	L=109 SAE 2	A	◆		◆	◆	◆	
38	1316 202 026	(1316 302 079)	1	INPUT SHAFT	L=117 SAE 2	B	◆		◆	◆	◆	
38	1316 202 038		1	INPUT SHAFT	L=109 SAE 2	C	◆		◆	◆	◆	
38	1316 221 017		1	INPUT SHAFT	L=109 SAE 2	D	◆		◆	◆	◆	
38	1316 302 015		1	INPUT SHAFT		E		◆				◆
38	1316 302 014		1	INPUT SHAFT		F		◆				◆
38	1316 202 033		1	INPUT SHAFT	L=238.2	G	◆		◆	◆	◆	
39	0732 040 409		9	SPRING			◆	◆	◆	◆	◆	◆
40	1297 304 436		9	PRESSURE PIECE			◆	◆	◆	◆	◆	◆
41	1315 302 196		1	OIL PIPET			◆	◆	◆	◆	◆	◆
42	0630 502 027		1	RETANING RING	472/50X2mm		◆	◆	◆	◆	◆	◆
43	0501 314 060		1	OIL SEAL			◆	◆	◆	◆	◆	◆
44	0730 006 171		1	RING	3.50mm		◆	◆	◆	◆	◆	◆
44	0730 005 465		1	RING	3.40mm		◆	◆	◆	◆	◆	◆
45	1499 298 027		1	SIPLIT RING KIT	5.00mm	{10}	◆	◆	◆	◆	◆	◆

NOTES / NO:TLAR

ABCDEF G alphabetic letters are used in conjunction with the encoded parts.
 Alphabetical Coding has been done according to Input Shaft
 {10} This kit includes {1499 298 027} = 2pcs 0730 107 023 + 1pcs 0730 062 781

16 S 221

GEARBOX 16S221

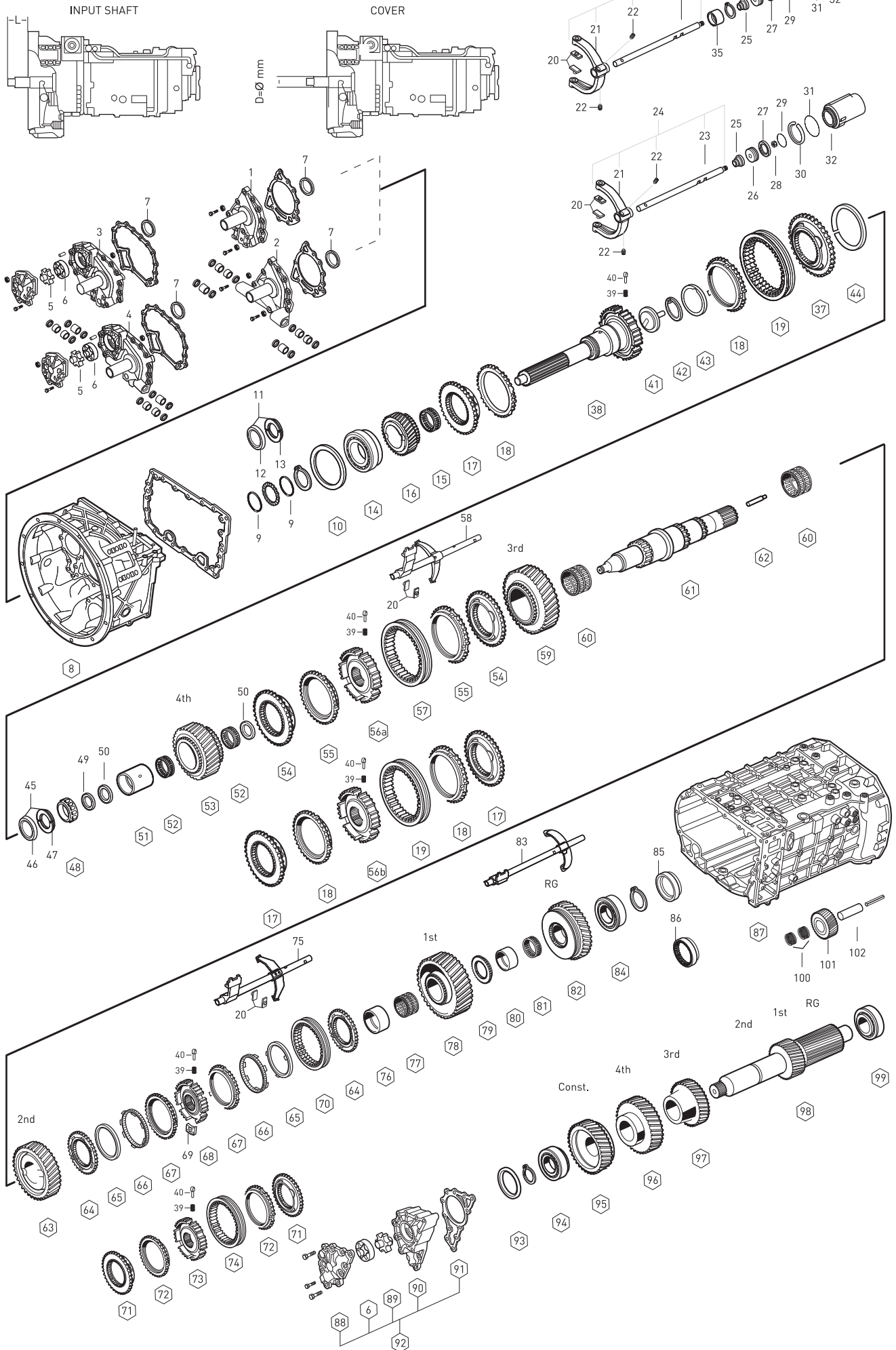


Fig.	Oem No	Oem Old No	Pcs	escription	Sizes	Notes	SG 13.80-0.84	SG 13.85-0.84	SG 13.86-0.84	DG 16.41-1.00	DG 16.47-1.00	DG 16.53-1.00
45	1499 298 026		1	SIPLIT RING KIT	4.90mm	(11)	◆	◆	◆	◆	◆	◆
45	2001580		1	SIPLIT RING KIT	4.85mm	(12)	◆	◆	◆	◆	◆	◆
45	1499 298 025		1	SIPLIT RING KIT	4.80mm	(13)	◆	◆	◆	◆	◆	◆
45	1499 298 024		1	SIPLIT RING KIT	4.70mm	(14)	◆	◆	◆	◆	◆	◆
45	1499 298 023		1	SIPLIT RING KIT	4.60mm	(15)	◆	◆	◆	◆	◆	◆
46	0730 062 781		1	RETAINING RING			◆	◆	◆	◆	◆	◆
47	0730 107 023		2	SIPLIT RING	5.00mm		◆	◆	◆	◆	◆	◆
47	0730 107 022		2	SIPLIT RING	4.90mm		◆	◆	◆	◆	◆	◆
47	2001581		2	SIPLIT RING	4.85mm		◆	◆	◆	◆	◆	◆
47	0730 107 021		2	SIPLIT RING	4.80mm		◆	◆	◆	◆	◆	◆
47	0730 107 020		2	SIPLIT RING	4.70mm		◆	◆	◆	◆	◆	◆
47	0730 107 019		2	SIPLIT RING	4.60mm		◆	◆	◆	◆	◆	◆
48	0750 117 232		1	ROLLER BEARING	42X40.3mm		◆	◆	◆	◆	◆	◆
49	1315 304 048		1	THRUST WASHER	8.00mm		◆	◆	◆	◆	◆	◆
49	1315 304 047		1	THRUST WASHER	7.90mm		◆	◆	◆	◆	◆	◆
49	1315 304 046		1	THRUST WASHER	7.80mm		◆	◆	◆	◆	◆	◆
50	0750 101 158		2	THRUST WASHER			◆	◆	◆	◆	◆	◆
51	0750 119 124		1	BEARING RACE	67X77X66.1mm		◆	◆	◆	◆	◆	◆
52	0750 115 531	(0750 115 534)	2	NEEDLE CAGE	77X101X29mm		◆	◆	◆	◆	◆	◆
53	1316 304 007		1	GEAR 4th 30 T		ABCDEF G	◆	◆				
53	1316 304 103		1	GEAR 4th 32 T		ABCDEF G			◆	◆	◆	◆
54	1316 304 159	(1316 304 145)	2	ENGAGING RING			◆	◆	◆	◆	◆	◆
17	1312 304 027		2	ENGAGING RING			◆	◆	◆	◆	◆	◆
55	1316 304 168	(1316 304 149)	2	SYNCHRONIZING CONE			◆	◆	◆	◆	◆	◆
18	1297 304 484	(1297 304 402)	2	SYNCHRONIZING CONE			◆	◆	◆	◆	◆	◆
56a	1316 304 162		1	GUIDE SLEEVE			◆	◆	◆	◆	◆	◆
56b	1312 304 052		1	GUIDE SLEEVE			◆	◆	◆	◆	◆	◆
57	1316 304 167	(1315 304 135)	1	ENGAGING SLEEVE			◆	◆	◆	◆	◆	◆
19	1310 304 202	(1312 302 057)	1	ENGAGING SLEEVE			◆	◆	◆	◆	◆	◆
		(1310 304 174)					◆	◆	◆	◆	◆	◆
58	1316 206 047		1	GEAR SHIT FORK 3rd/4th			◆	◆	◆	◆	◆	◆
59	1316 304 009		1	GEAR 3rd 32 T		ABCDEF G	◆	◆				
59	1316 304 008		1	GEAR 3rd 34 T		ABCDEF G			◆	◆	◆	◆
60	0750 115 303		2	NEEDLE CAGE	92X100X63mm		◆	◆	◆	◆	◆	◆
61	1316 304 130	(1312 304 134)	1	MAIN SHAFT		ABCDEF G	◆		◆		◆	
61	1316 304 132	(1316 304 079)	1	MAIN SHAFT		ABCDEF G		◆		◆		◆
62	1312 304 150		1	OIL PIPE			◆	◆	◆	◆	◆	◆
63	1316 304 003		1	GEAR 2nd 37 T		ABCDEF G	◆	◆				
63	1316 304 002		1	GEAR 2nd 38 T		ABCDEF G			◆	◆	◆	◆
64	1312 304 106		2	ENGAGING RING			◆	◆	◆	◆	◆	◆
65	1268 304 424		2	SYNCHRONIZING CONE			◆	◆	◆	◆	◆	◆

NOTES :

ABCDEF G alphabetic letters are used in conjunction with the encoded parts.

Alphabetical Coding has been done according to Input Shaft

[11] This kit includes [1499 298 026] = 2pcs 0730 107 022 + 1pcs 0730 062 781

[12] This kit includes [2001580] = 2pcs 2001581 + 1pcs 0730 062 781

[13] This kit includes [1499 298 025] = 2pcs 0730 107 021 + 1pcs 0730 062 781

[14] This kit includes [1499 298 024] = 2pcs 0730 107 020 + 1pcs 0730 062 781

[15] This kit includes [1499 298 023] = 2pcs 0730 107 019 + 1pcs 0730 062 781

16 S 221

GEARBOX 16S221

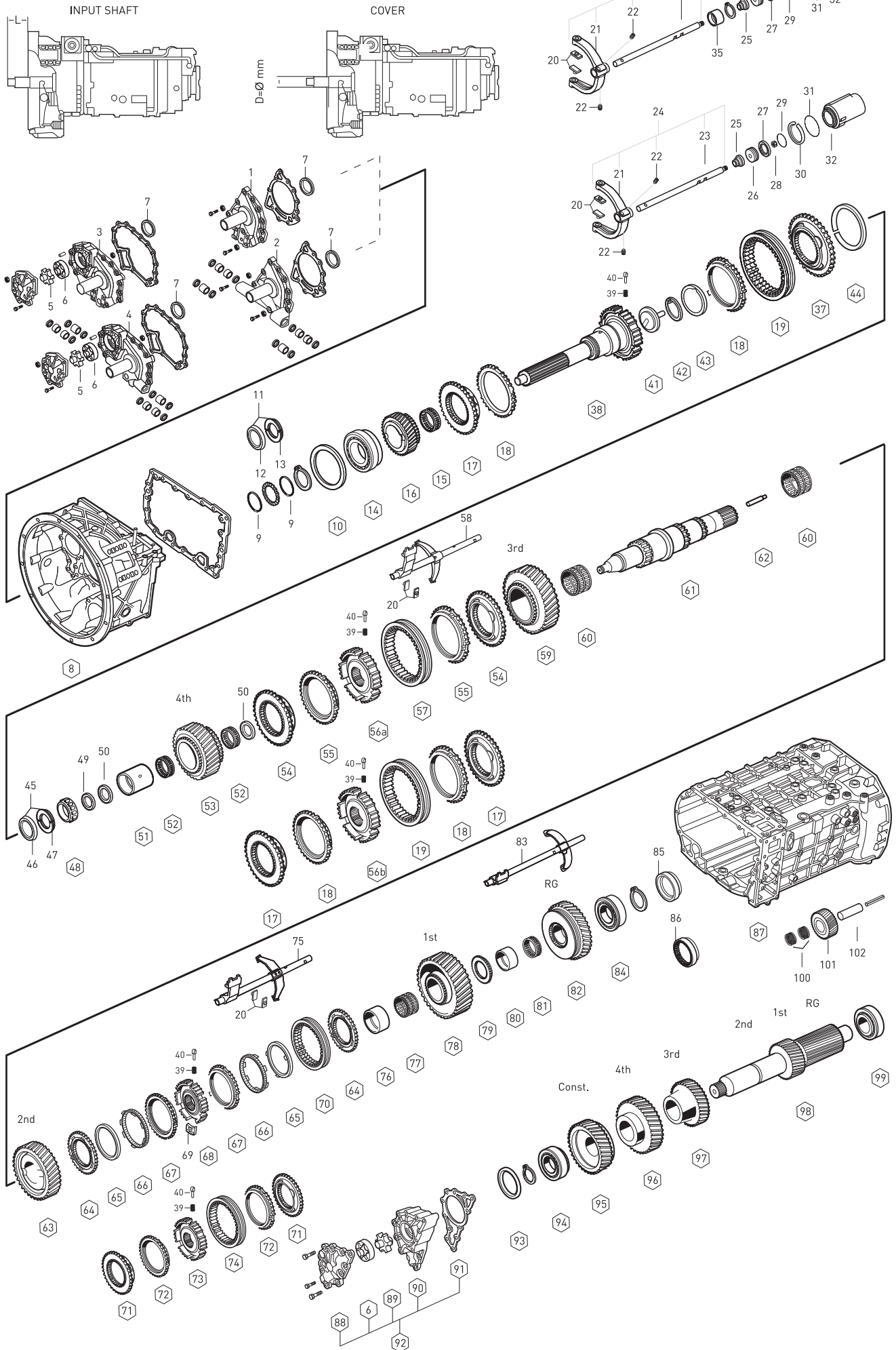


Fig.	Oem No	Oem Old No	Pcs	Description	Sizes	Notes	SG 13.80-0.84	SG 13.85-0.84	SG 13.86-0.84	DG 16.41-1.00	DG 16.47-1.00	DG 16.53-1.00
66	1268 304 494	(1268 304 491)	2	INTERMEDIATE CONE			◆	◆	◆	◆	◆	◆
67	1268 304 525		2	SYNCHRONIZING CONE			◆	◆	◆	◆	◆	◆
68	1312 304 158		1	GUIDE SLEEVE			◆	◆	◆	◆	◆	◆
69	1312 304 159		3	SLIDING BLOCK			◆	◆	◆	◆	◆	◆
70	1310 304 175	(1312 304 157)	1	ENGAGING SLEEVE			◆	◆	◆	◆	◆	◆
71a	1316 304 156		2	ENGAGING RING			◆	◆	◆	◆	◆	◆
71b	1313 304 009		2	ENGAGING RING			◆	◆	◆	◆	◆	◆
72a	1316 304 170	(1316 304 150)	2	SYNCHRONIZING CONE			◆	◆	◆	◆	◆	◆
72b	1297 304 485	(1297 304 401)	2	SYNCHRONIZING CONE			◆	◆	◆	◆	◆	◆
73a	1316 304 163		1	GUIDE SLEEVE			◆	◆	◆	◆	◆	◆
73b	1313 304 008		1	GUIDE SLEEVE			◆	◆	◆	◆	◆	◆
74a	1316 304 169	(1315 304 136)	1	ENGAGING SLEEVE			◆	◆	◆	◆	◆	◆
74b	1316 304 078		1	ENGAGING SLEEVE			◆	◆	◆	◆	◆	◆
75	1316 206 043		1	GEAR SHIT FORK 1st/2nd			◆	◆	◆	◆	◆	◆
76	1312 304 084		1	BEARING RACE			◆	◆	◆	◆	◆	◆
77	0750 115 327		1	NEEDLE CAGE	96X104X72mm		◆	◆	◆	◆	◆	◆
78	1316 304 013		1	GEAR 1st 44 T		ABCDEF G	◆	◆				
78	1316 304 010		1	GEAR 1st 47 T		ABCDEF G			◆	◆	◆	◆
79	1312 304 124		1	HUB			◆	◆	◆	◆	◆	◆
80	1316 304 133	(1312 304 082)	1	BEARING RACE			◆	◆	◆	◆	◆	◆
81	0750 115 326		1	NEEDLE CAGE	90X98X50mm		◆	◆	◆	◆	◆	◆
82	1316 304 015		1	REVERSE GEAR 42 T		ABCDEF G	◆	◆				
82	1316 304 012		1	REVERSE GEAR 44 T		ABCDEF G			◆	◆	◆	◆
83	1316 206 050		1	GEAR SHIT FORK/RG			◆	◆	◆	◆	◆	◆
84	0750 117 678		1	ROLLER BEARING	80X140X36.5mm		◆	◆	◆	◆	◆	◆
85	1316 332 109		1	WASHER (Retarder)			◆	◆	◆	◆	◆	◆
86	1315 332 073		1	WASHER (NEW)			◆	◆	◆	◆	◆	◆
87	1315 301 224	(1315 301 223)	1	HOUSING			◆	◆	◆	◆	◆	◆
88	1315 302 120	(1315 302 116)	1	PUMP COVER			◆	◆	◆	◆	◆	◆
		(1315 402 120)										
89	1314 202 039		1	OIL PUMP GEAR		ABCG	◆	◆	◆	◆	◆	◆
6	1315 303 027		1	ROTOR		ABCG	◆	◆	◆	◆	◆	◆
90	1315 302 121	(1315 302 117)	1	PUMP HOUSING			◆	◆	◆	◆	◆	◆
		(1315 402 121)										
91	1315 303 060	(0501 314 747)	1	GASKET			◆	◆	◆	◆	◆	◆
92	2000570		KIT	OIL PUMP ASSY.			◆	◆	◆	◆	◆	◆
93	0730 106 917		1	SHIM	3.00mm		◆		◆	◆		
93	0730 106 909		1	SHIM	2.60mm		◆		◆	◆		
93	0730 101 467		1	SHIM	2.20mm		◆		◆	◆		
93	0730 106 905		1	SHIM	1.85mm		◆		◆	◆		
93	2001678		1	SHIM	0.30mm		◆		◆	◆		

NOTES :

ABCDEF G alphabetic letters are used in conjunction with the encoded parts.
 Alphabetical Coding has been done according to Input Shaft

16 S 221

GEARBOX 16S221

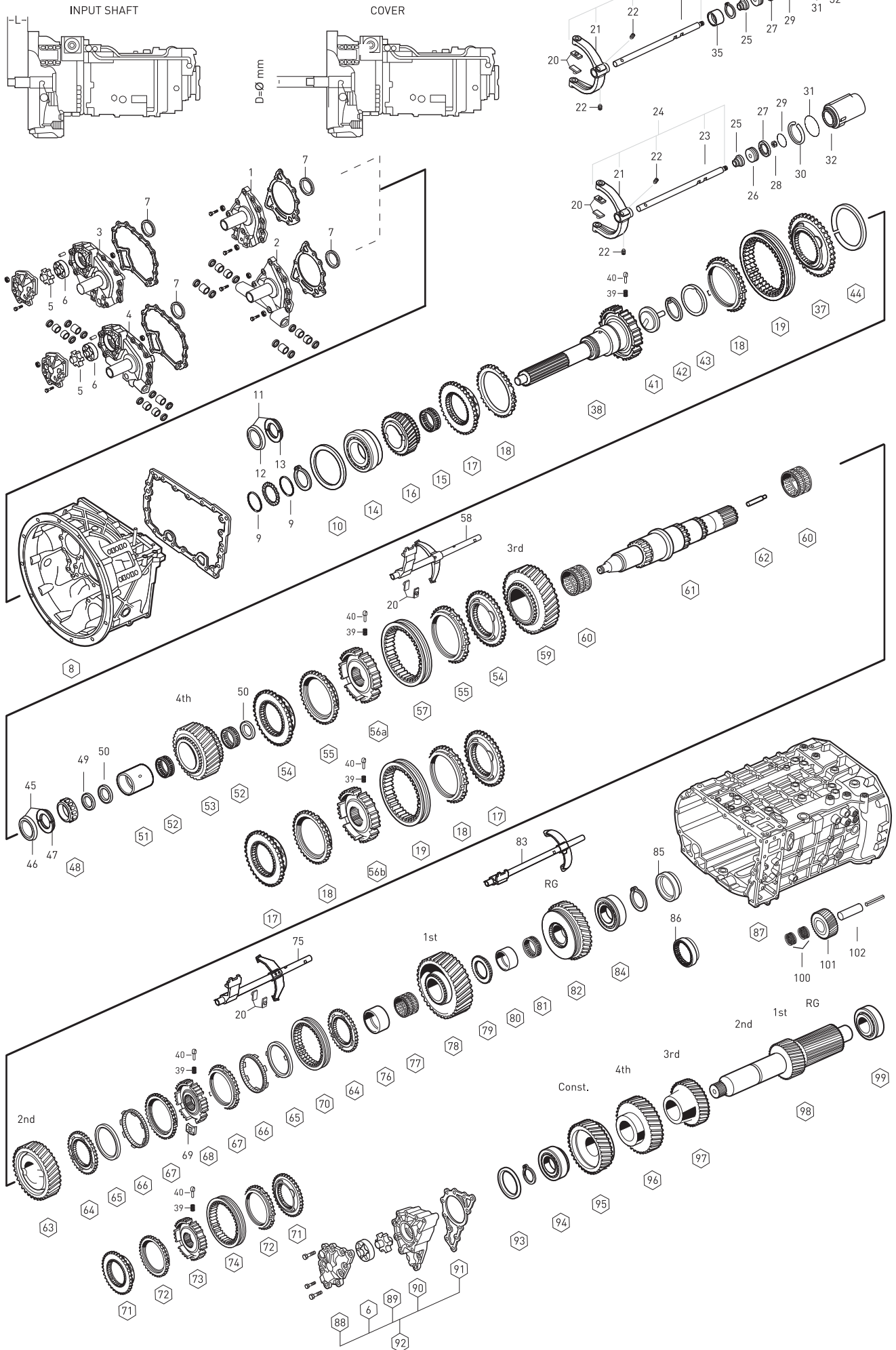


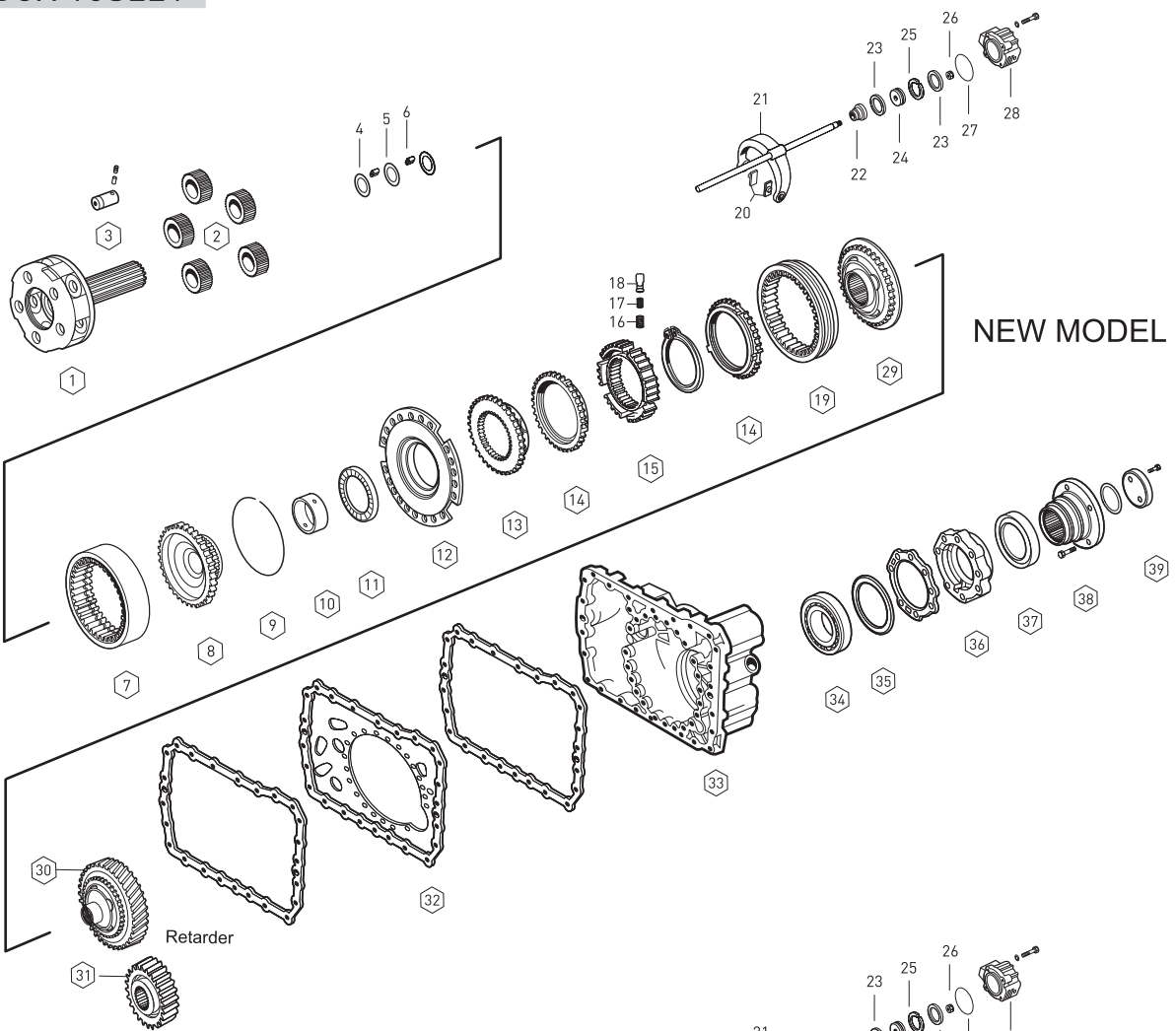
Fig.	Oem No	Oem Old No	Pcs	Description	Sizes	Notes	SG 13.80-0.84	SG 13.85-0.84	SG 13.86-0.84	DG 16.41-1.00	DG 16.47-1.00	DG 16.53-1.00
93	2001679		1	SHIM	0.20mm		◆		◆	◆	◆	
93	2001680		1	SHIM	0.10mm		◆		◆	◆	◆	
94	0750 117 009		1	ROLLER BEARING	49.2X103.1X43.6mm		◆		◆	◆	◆	
93	0730 102 099		1	SHIM	3.00mm			◆				◆
93	0730 102 060		1	SHIM	2.60mm			◆				◆
93	0730 102 068		1	SHIM	2.20mm			◆				◆
93	0730 102 075		1	SHIM	1.85mm			◆				◆
93	2001652		1	SHIM	0.30mm			◆				◆
93	2001653		1	SHIM	0.20mm			◆				◆
93	2001654		1	SHIM	0.10mm			◆				◆
94	0750 117 010		1	ROLLER BEARING	50.8X100X35mm			◆				◆
95	1316 303 031		1	CONS.GEAR 37 T		ABCDG	◆					
95	1316 303 002		1	CONS.GEAR 37 T		EF		◆				
95	1316 303 064		1	CONS.GEAR 32 T		ABCDG			◆			
95	1316 303 030		1	CONS.GEAR 39 T		ABCDG				◆	◆	
95	1316 303 001		1	CONS.GEAR 39 T		EF						◆
96	1316 303 004		1	GEAR 4th 39 T		ABCDEFGG	◆	◆				
96	1316 303 065		1	GEAR 4th 35 T		ABCDEFGG			◆	◆	◆	◆
97	1316 303 006		1	GEAR 3rd 28 T		ABCDEFGG	◆	◆				
97	1316 303 005		1	GEAR 3rd 26 T		ABCDEFGG			◆	◆	◆	◆
98	1316 303 008		1	COUNTER SHAFT 19-23 T		ABCDG	◆					
98	1316 303 034		1	COUNTER SHAFT 19-23 T		ABCDG	◆					
98	1316 303 053		1	COUNTER SHAFT 19-23 T		EF		◆				
98	1316 303 033		1	COUNTER SHAFT 17-20 T		ABCDG			◆	◆		
98	1316 303 052		1	COUNTER SHAFT		ABCDG					◆	
98	1316 303 007		1	COUNTER SHAFT 17-20 T		EF						◆
99	0750 117 009		1	ROLLER BEARING	49.2X103.1X43.6mm		◆		◆	◆	◆	
99	0750 117 011		1	ROLLER BEARING	50.8X104.7X39.6mm			◆				◆
100	0750 115 369		2	NEEDLE CAGE	45.0X57.0X25.0mm		◆	◆	◆	◆	◆	◆
101	1316 305 002		1	REV.IDLER GEAR			◆	◆	◆			
101	1316 305 001		1	REV.IDLER GEAR						◆	◆	◆
102	1316 201 030		1	PIN			◆	◆	◆			
102	1316 201 029		1	PIN						◆	◆	◆

16 S 221

NOTES :
 ABCDEFG alfabetic letters are used in conjunction with the encoded parts.
 Alphabetical Coding has been done according to Input Shaft

GEARBOX 16S221

A



B

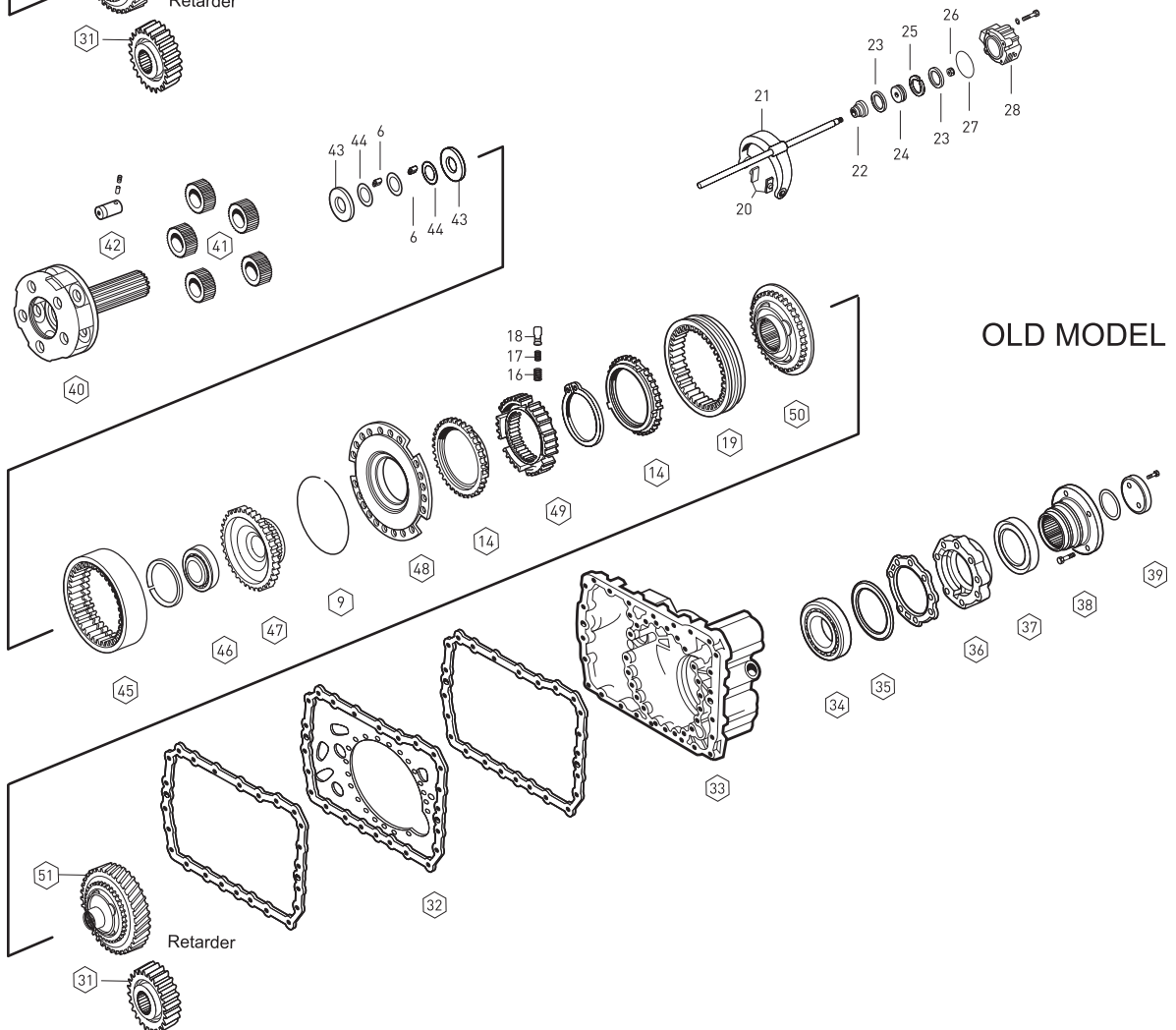


Fig	Oem No	Oem Old No	Pcs	Description	Sizes	Notes	SG 13.80-0.84	SG 13.85-0.84	SG 13.86-0.84	DG 16.41-1.00	DG 16.47-1.00	DG 16.53-1.00
1	1316 232 019		1	PLANETARY CARRIER		A	◆					◆
2	1316 232 011		5	PLANETARY GEAR SET		A	◆					◆
3	1316 332 096	(1316 332 038)	5	PLANET SHAFT		A	◆					◆
4	0730 109 323		10	THRUST WASHER		A	◆					◆
5	0730 109 309		5	THRUST WASHER		A	◆					◆
6	0750 119 116		140	NEEDLE ROLLER	10X16.8mm	AB	◆	◆	◆	◆	◆	◆
7	1315 332 041		1	RING WHEEL		A	◆					◆
8	1316 332 103		1	CARRIER HUB		A	◆					◆
9	0730 513 583		1	SPRING RING	3.20mm	AB	◆	◆	◆	◆	◆	◆
10	1316 333 014		1	BUSHING		A	◆					◆
11	0735 298 169		1	NEEDLE BEARING	104.5X128.4X10mm	A	◆					◆
12	1296 333 046	(1296 333 039)	1	FLANGE		A	◆					◆
13	1296 333 050		1	ENGAGING RING		A	◆					◆
14	1296 333 045	(1296 333 022)	2	SYNCHRONIZING CONE		AB	◆	◆	◆	◆	◆	◆
15	1313 333 001		1	GUIDE SLEEVE		A	◆					◆
16	0732 040 385		9	SPRING		AB	◆	◆	◆	◆	◆	◆
17	0732 040 386		9	SPRING		AB	◆	◆	◆	◆	◆	◆
18	1240 304 278		9	PRESSURE PIECE		AB	◆	◆	◆	◆	◆	◆
19	1296 333 023		1	ENGAGING SLEEVE		AB	◆	◆	◆	◆	◆	◆
20	1296 334 004		2	SLIDING PAD		AB	◆	◆	◆	◆	◆	◆
21	1316 334 010		1	GEAR SHIFT FORK		AB	◆	◆	◆	◆	◆	◆
22	0750 112 253	(0750 112 131)	1	FLANGE PACKING	25.0X40.0X15.0mm	AB	◆	◆	◆	◆	◆	◆
23	0734 307 294	(0734 307 280)	2	SEALING RING		AB	◆	◆	◆	◆	◆	◆
24	1315 334 034	(1315 334 063)	1	PISTON		AB	◆	◆	◆	◆	◆	◆
25	0750 112 066		1	GUIDE RING		AB	◆	◆	◆	◆	◆	◆
26	0737 006 095		1	NUT	M16X1.5mm	AB	◆	◆	◆	◆	◆	◆
27	0501 317 536		1	O-RING	94.0X3.0mm	AB	◆	◆	◆	◆	◆	◆
28	1315 334 056		1	CYLINDER		AB	◆	◆	◆	◆	◆	◆
29	1316 233 015		1	ENGAGING RING		A	◆					◆
30	1316 233 014		1	ENGAGING RING	Retarder	A	◆					◆
31	6085 301 012		1	GEAR (29 T)	Retarder	AB	◆	◆	◆	◆	◆	◆
32	1315 301 118		1	INTERM.PLATE		AB	◆	◆	◆	◆	◆	◆
33	1315 301 224	(1315 301 223)	1	HOUSING		AB	◆	◆	◆	◆	◆	◆
34	0750 116 002		1	ROLLER BEARING	90X160X30mm	AB	◆	◆	◆	◆	◆	◆
35	0730 100 115		1	SHIM	0.30mm	AB	◆	◆	◆	◆	◆	◆
35	0730 100 116		1	SHIM	0.20mm	AB	◆	◆	◆	◆	◆	◆
35	2001660		1	SHIM	0.10mm	AB	◆	◆	◆	◆	◆	◆
36	1315 231 004		1	BEARING COVER		AB	◆	◆	◆	◆	◆	◆
37	0750 111 341		1	OIL SEAL	105X130X12mm	AB	◆	◆	◆	◆	◆	◆
38	1297 333 110		1	COMPANION FLANGE	4-H, Ø180mm	AB	◆	◆	◆	◆	◆	◆
38	1316 338 002		1	COMPANION FLANGE	4-H, Ø180mm	AB	◆	◆	◆	◆	◆	◆

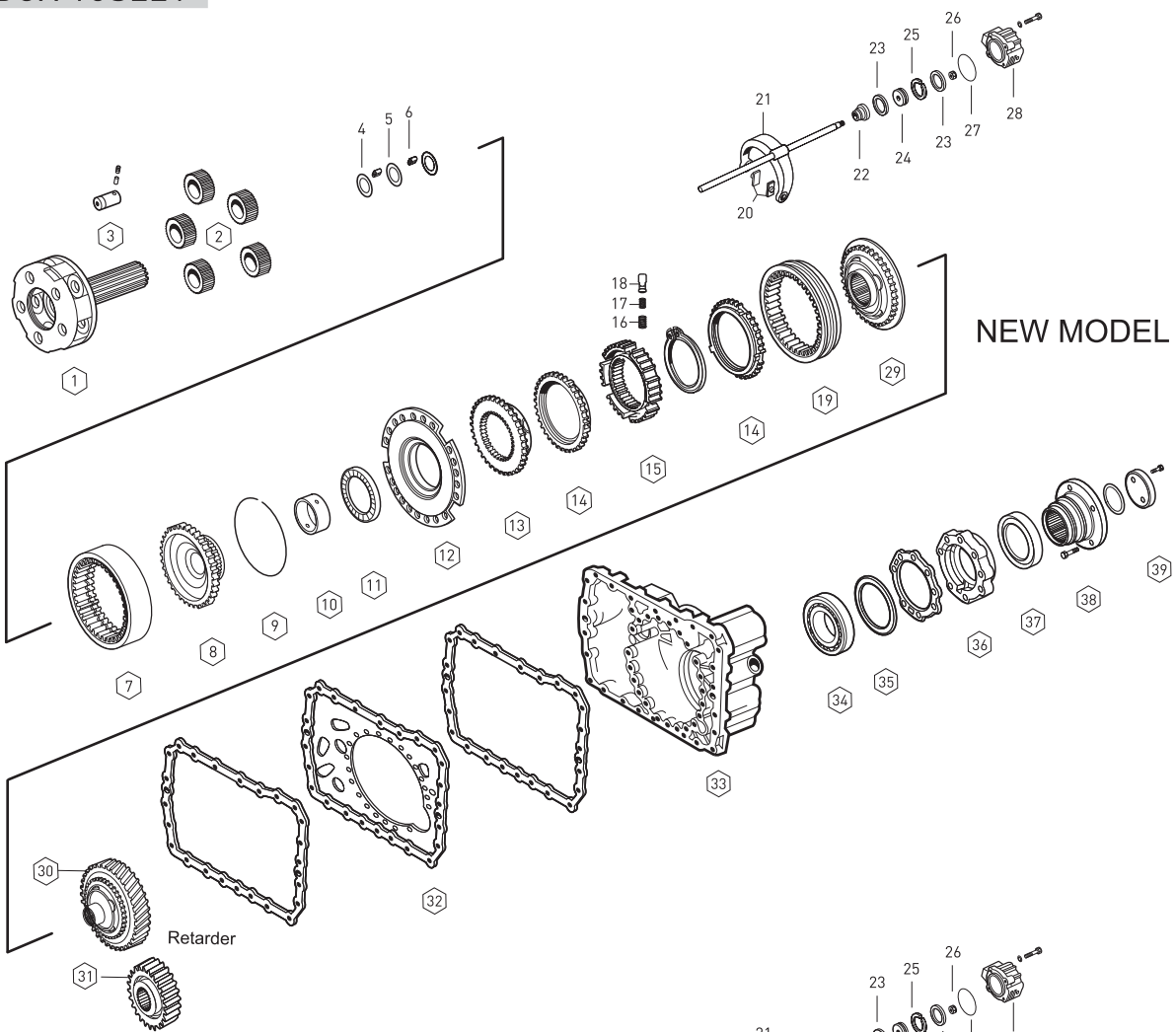
NOTES :

A : Alphabetical letters used in conjunction with these products are classified.
B : Alphabetical letters used in conjunction with these products are classified.

16 S 221

GEARBOX 16S221

A



B

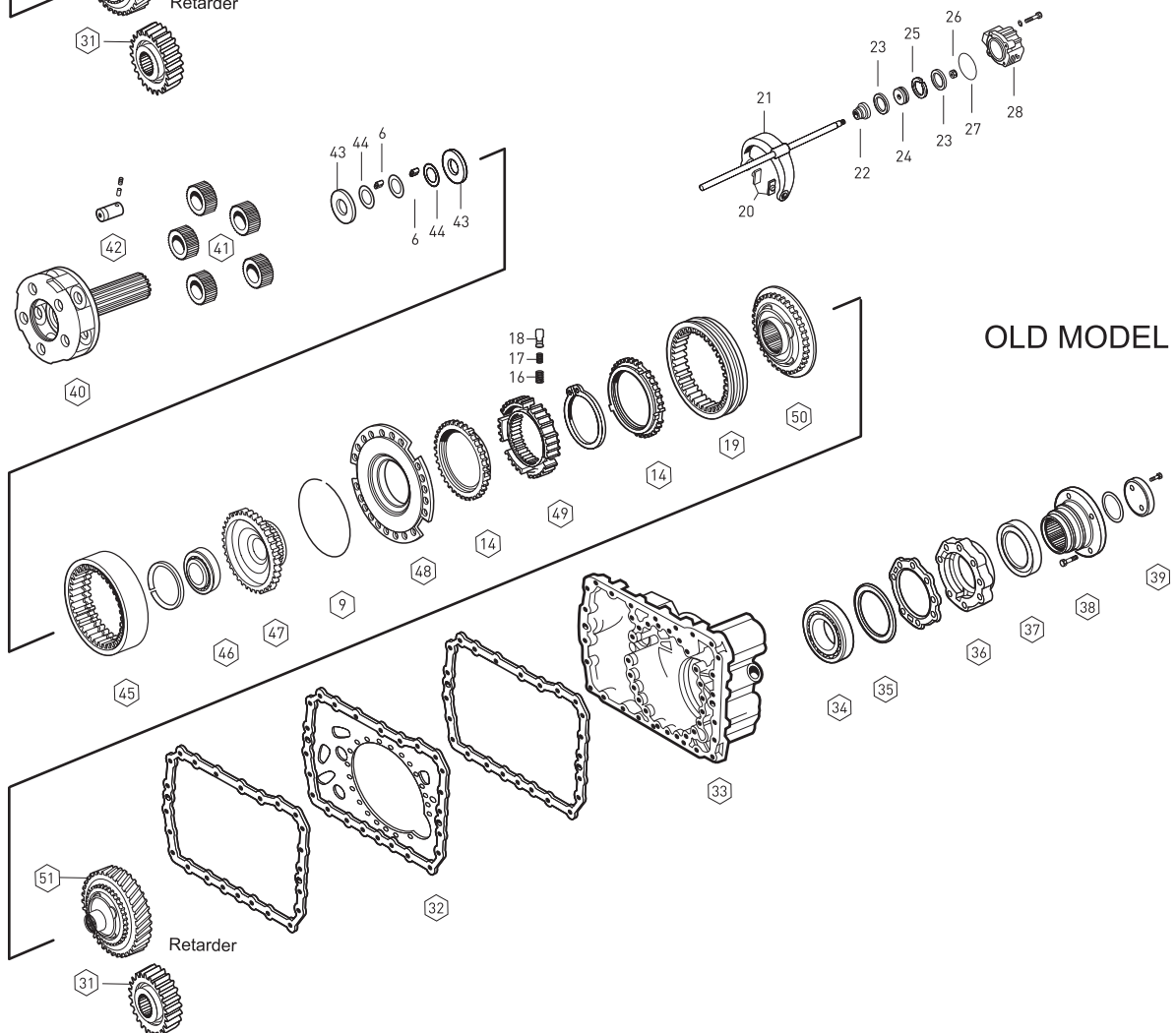


Fig.	Oem No	Oem Old No	Pcs	Description	Sizes	Notes	SG 13.80-0.84	SG 13.85-0.84	SG 13.86-0.84	DG 16.41-1.00	DG 16.47-1.00	DG 16.53-1.00
38	1312 333 018		1	COMPANION FLANGE	4-H, Ø200mm	AB	◆	◆	◆	◆	◆	◆
38	1316 338 003		1	COMPANION FLANGE	4-H, Ø200mm	AB	◆	◆	◆	◆	◆	◆
39	1312 332 028		1	WASHER		AB	◆	◆	◆	◆	◆	◆
40	1316 232 006	(1312 232 015)	1	PLANETARY CARRIER		B	◆	◆	◆	◆	◆	◆
41	1312 232 014		5	PLANETARY GEAR SET		B	◆	◆	◆	◆	◆	◆
42	1312 332 026		5	PLANET SHAFT		B	◆	◆	◆	◆	◆	◆
43	0501 308 981		10	THRUST WASHER		B	◆	◆	◆	◆	◆	◆
44	0730 107 168		15	THRUST WASHER		B	◆	◆	◆	◆	◆	◆
45	1295 332 086		1	RING WHEEL 86 T		B	◆	◆	◆	◆	◆	◆
46	0635 338 035		1	ROLLER BEARING	100.0X125.0X13mm	B	◆	◆	◆	◆	◆	◆
47	1297 332 120		1	CARRIER HUB 86 T		B	◆	◆	◆	◆	◆	◆
48	1315 233 006		1	FLANGE		B	◆	◆	◆	◆	◆	◆
49	1297 333 115		1	GUIDE SLEEVE		B	◆	◆	◆	◆	◆	◆
50	1297 233 056		1	ENGAGING RING		B	◆	◆	◆	◆	◆	◆
51	1316 233 010		1	ENGAGING RING	Retarder	B	◆	◆	◆	◆	◆	◆

16 S 221

NOTES :

 A : Alphabetical letters used in conjunction with these products are classified.
 B : Alphabetical letters used in conjunction with these products are classified.

GEARBOX 16S221

SYNCHRONIZER KIT CONST.

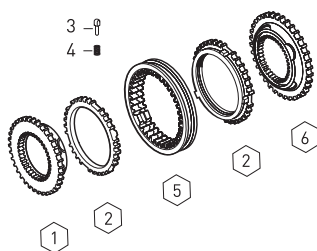


Fig.	. Oem No	Oem Old No	Pcs	Description
	1297 298 955		Kit	SYNCHRONIZER KIT Const
1	1312 304 027		1	ENGAGING RING
2	1297 304 484	(1297 304 402)	2	SYNCHRONIZING CONE
3	1297 304 436		3	PRESSURE PIECE
4	0732 040 409		3	SPRING
5	1310 304 202	(1312 302 057)	1	ENGAGING SLEEVE
		(1310 304 174)		
6	1312 304 056		1	ENGAGING RING

SYNCHRONIZER KIT 3rd/4th/CONST.

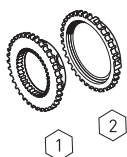


Fig.	. Oem No	Oem Old No	Pcs	Description
	1312 204 031		Kit	SYNCH.KIT 3rd/4th/Const.
1	1312 304 027		1	ENGAGING RING
2	1297 304 484	(1297 304 402)	1	SYNCHRONIZING CONE

SYNCHRONIZER KIT 3rd/4th

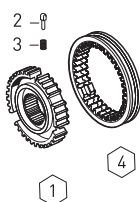


Fig.	o. Oem No	Oem Old No	Pcs	Description
	1312 204 028		Kit	SYNCH.KIT 3rd/4th
1	1312 304 052		1	GUIDE SLEEVE
2	1297 304 436		3	PRESSURE PIECE
3	0732 040 409		3	SPRING
4	1310 304 202	(1312 302 057)	1	ENGAGING SLEEVE
		(1310 304 174)		

SYNCHRONIZER KIT 3rd/4th

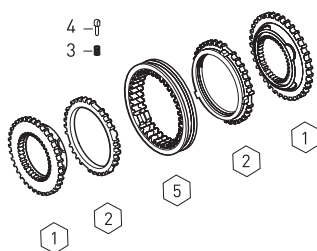


Fig.	. Oem No	Oem Old No	Pcs	Description
	1315 298 030		Kit	SYNCH.KIT 3rd/4th
1	1312 304 027		2	ENGAGING RING
2	1297 304 484	(1297 304 402)	2	SYNCHRONIZING CONE
3	1297 304 436		3	PRESSURE PIECE
4	0732 040 409		3	SPRING
5	1310 304 202	(1312 302 057)	1	ENGAGING SLEEVE
		(1310 304 174)		

SYNCHRONIZER KIT 3rd/4th

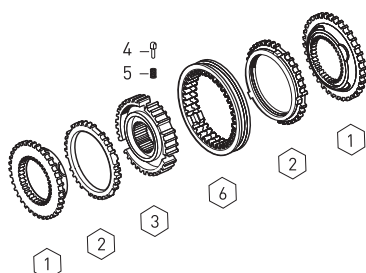


Fig.	. Oem No	Oem Old No	Pcs	Description
	1315 298 018		Kit	SYNCH.KIT 3rd/4th
1	1312 304 027		2	ENGAGING RING
2	1297 304 484	(1297 304 402)	2	SYNCHRONIZING CONE
3	1312 304 052		1	GUIDE SLEEVE
4	1297 304 436		3	PRESSURE PIECE
5	0732 040 409		3	SPRING
6	1310 304 202	(1312 302 057)	1	ENGAGING SLEEVE
		(1310 304 174)		

Fig.	o. Oem No	Oem Old No	Pcs	Description
	1315 298 061	(1316 204 016)	Kit	SYNCH.KIT 3rd/4th
1	1316 304 159	(1316 304 145)	2	ENGAGING RING
2	1316 304 168	(1316 304 149)	2	SYNCHRONIZING CONE
3	1316 304 162		1	GUIDE SLEEVE
4	1297 304 436		3	PRESSURE PIECE
5	0732 040 409		3	SPRING
6	1316 304 167	(1315 304 135)	1	ENGAGING SLEEVE

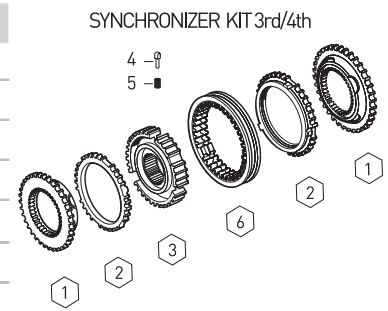


Fig.	o. Oem No	Oem Old No	Pcs	Description
	1316 204 014		Kit	SYNCH.KIT 3rd/4th
1	1316 304 168	(1316 304 149)	2	SYNCHRONIZING CONE
2	1316 304 162		1	GUIDE SLEEVE
3	1297 304 436		3	PRESSURE PIECE
4	0732 040 409		3	SPRING
5	1316 304 167	(1315 304 135)	1	ENGAGING SLEEVE



Fig.	o. Oem No	Oem Old No	Pcs	Description
	1313 204 009		Kit	SYNCH.KIT 1st/2nd
1	1313 304 009		1	ENGAGING RING
2	1297 304 485	(1297 304 401)	1	SYNCHRONIZING CONE



Fig.	o. Oem No	Oem Old No	Pcs	Description
	1313 204 008		Kit	SYNCH.KIT 1st/2nd
1	1313 304 008		1	GUIDE SLEEVE
2	1297 304 436		3	PRESSURE PIECE
3	0732 040 409		3	SPRING
4	1316 304 078		1	ENGAGING SLEEVE



Fig.	o. Oem No	Oem Old No	Pcs	Description
	1313 204 003		Kit	SYNCH.KIT 1st/2nd
1	1297 304 485	(1297 304 401)	2	SYNCH.CONE
2	1313 304 008		1	GUIDE SLEEVE
3	1297 304 436		3	PRESSURE PIECE
4	0732 040 409		3	SPRING
5	1316 304 078		1	ENGAGING SLEEVE

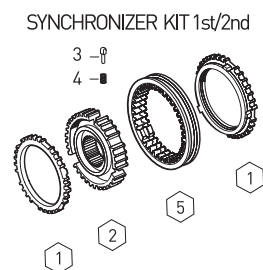
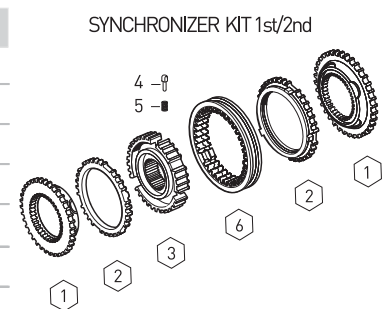


Fig.	o. Oem No	Oem Old No	Pcs	Description
	1313 298 909		Kit	SYNCH.KIT 1st/2nd
1	1313 304 009		2	ENGAGING RING
2	1297 304 485	(1297 304 401)	2	SYNCH.CONE
3	1313 304 008		1	GUIDE SLEEVE
4	1297 304 436		3	PRESSURE PIECE
5	0732 040 409		3	SPRING
6	1316 304 078		1	ENGAGING SLEEVE



GEARBOX 16S221

SYNCHRONIZER KIT 1st/2nd

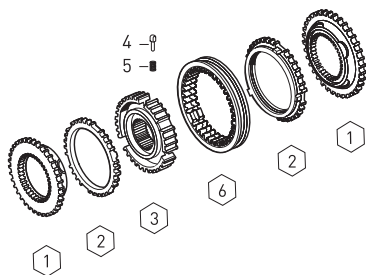


Fig.	. Oem No	Oem Old No	Pcs	Description
	1315 298 060	(1316 204 017)	Kit	SYNCH.KIT 1st/2nd
1	1316 304 156		2	ENGAGING RING
2	1316 304 170	(1316 304 150)	2	SYNCH.CONE
3	1316 304 163		1	GUIDE SLEEVE
4	1297 304 436		3	PRESSURE PIECE
5	0732 040 409		3	SPRING
6	1316 304 169	(1315 304 136)	1	ENGAGING SLEEVE

SYNCHRONIZER KIT 1st/2nd

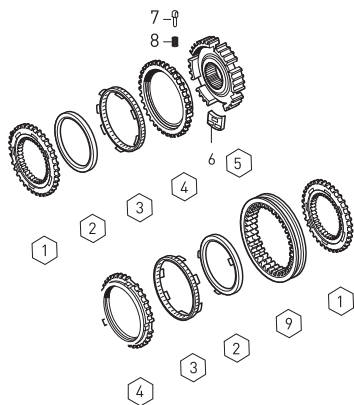


Fig.	. Oem No	Oem Old No	Pcs	Description
	1315 204 006	(1312 298 911)	Kit	SYNCH.KIT 1st/2nd
1	1312 304 106		2	ENGAGING RING
2	1268 304 424		2	SYNCHRONIZING CONE
3	1268 304 494	(1268 304 491)	2	INTERMEDIATE CONE
4	1268 304 525		2	SYNCHRONIZING CONE
5	1312 304 158		1	GUIDE SLEEVE
6	1312 304 159		3	SLIDING BLOCK
7	1297 304 436		3	PRESSURE PIECE
8	0732 040 409		3	SPRING
9	1310 304 175	(1312 304 157)	1	ENGAGING SLEEVE

SYNCHRONIZER KIT PLANETARY

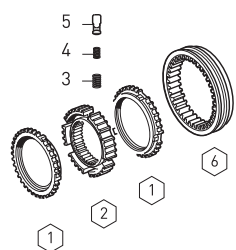


Fig.	. Oem No	Oem Old No	Pcs	Description
	1316 233 017		Kit	SYNCHRONIZER KIT
1	1296 333 045	(1296 333 022)	2	SYNCHRONIZING CONE
2	1297 333 115		1	GUIDE SLEEVE
3	0732 040 385		9	SPRING
4	0732 040 386		9	SPRING
5	1240 304 278		9	PRESSURE PIECE
6	1296 333 023		1	ENGAGING SLEEVE

SYNCHRONIZER KIT PLANETARY

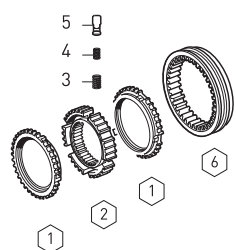


Fig.	Oem No	Oem Old No	Pcs	Description
	1315 233 029		Kit	SYNCHRONIZER KIT
1	1296 333 045	(1296 333 022)	2	SYNCHRONIZING CONE
2	1313 333 001		1	GUIDE SLEEVE
3	0732 040 385		9	SPRING
4	0732 040 386		9	SPRING
5	1240 304 278		9	PRESSURE PIECE
6	1296 333 023		1	ENGAGING SLEEVE

SYNCHRONIZER KIT PLANETARY

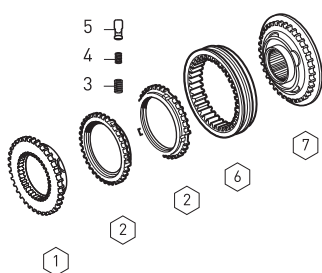


Fig.	. Oem No	Oem Old No	Pcs	Description
	1315 298 034		Kit	SYNCHRONIZER KIT
1	1296 333 050		1	ENGAGING RING
2	1296 333 045	(1296 333 022)	2	SYNCHRONIZING CONE
3	0732 040 385		9	SPRING
4	0732 040 386		9	SPRING
5	1240 304 278		9	PRESSURE PIECE
6	1296 333 023		1	ENGAGING SLEEVE
7	1316 233 015		1	ENGAGING RING

Fig.	. Oem No	Oem Old No	Pcs	Description
	1315 298 029		Kit	SYNCHRONIZER KIT
1	1296 333 050		1	ENGAGING RING
2	1296 333 045	(1296 333 022)	2	SYNCHRONIZING CONE
3	1313 333 001		1	GUIDE SLEEVE
4	0732 040 385		9	SPRING
5	0732 040 386		9	SPRING
6	1240 304 278		9	PRESSURE PIECE
7	1296 333 023		1	ENGAGING SLEEVE
8	1316 233 015		1	ENGAGING RING

SYNCHRONIZER KIT PLANETARY

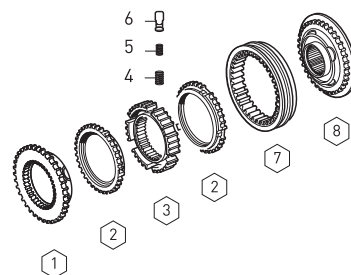
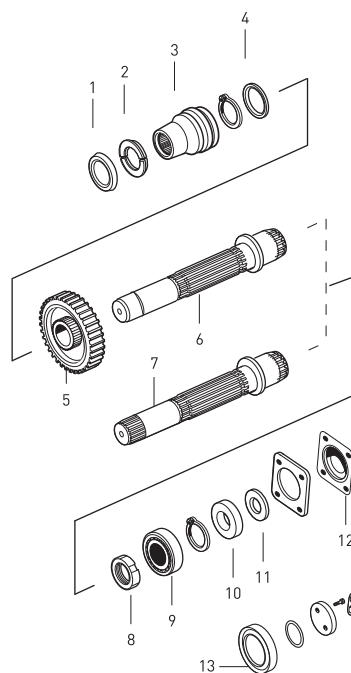


Fig.	. Oem No	Oem Old No	Pcs	Description
1	K20.01585 1315 298 001		Kit	GASKET KIT
2	1315 301 233		1	GASKET
3	0501 314 246		1	GASKET
3	0501 314 587		1	GASKET
4	1316 301 042		2	GASKET
4	1315 301 007		2	GASKET
5	0501 318 308		2	GASKET
6	1315 307 012		1	GASKET
7	1315 307 013		1	GASKET
8	0501 317 240		1	GASKET
9	1315 331 001		1	GASKET
10	1238 308 201		1	GASKET
11	0501 316 146		1	GASKET
11	1315 301 234		1	GASKET
12	1316 301 022		1	GASKET
13	1315 303 060		1	GASKET
14	1315 307 242		1	GASKET

GEARBOX GASKET KIT

Fig.	. Oem No	Oem Old No	Pcs	Description
1	1296 313 131		1	RETAINING RING
2	0730 104 627		1	SPLIT RING
3	1296 313 238		1	SLIDING SLEEVE
4	0730 104 628		1	THRUST WASHER
5	1296 313 082		1	GEAR 33 T
5	1296 313 083		1	GEAR 36 T
5	1296 313 084		1	GEAR 38 T
5	1296 313 085		1	GEAR 39 T
5	1296 313 086		1	GEAR 46 T
6	1296 213 028		1	INTERM.SHAFT
7	1296 213 028		1	INTERM.SHAFT (Milled)
8	1296 313 125		1	NUT
9	0735 410 139		1	ROLLER BEARING
10	7429 032 102		1	THRUST WASHER
11	1232 304 062		1	SHIM (1.00mm)
11	1232 304 063		1	SHIM (0.90mm)
11	1232 304 072		1	SHIM (0.70mm)
12	1250 313 190		1	COVER
13	0750 111 341		1	OIL SEAL

P.T.O. (POWER TAKEOFF)



GEARBOX 16S251

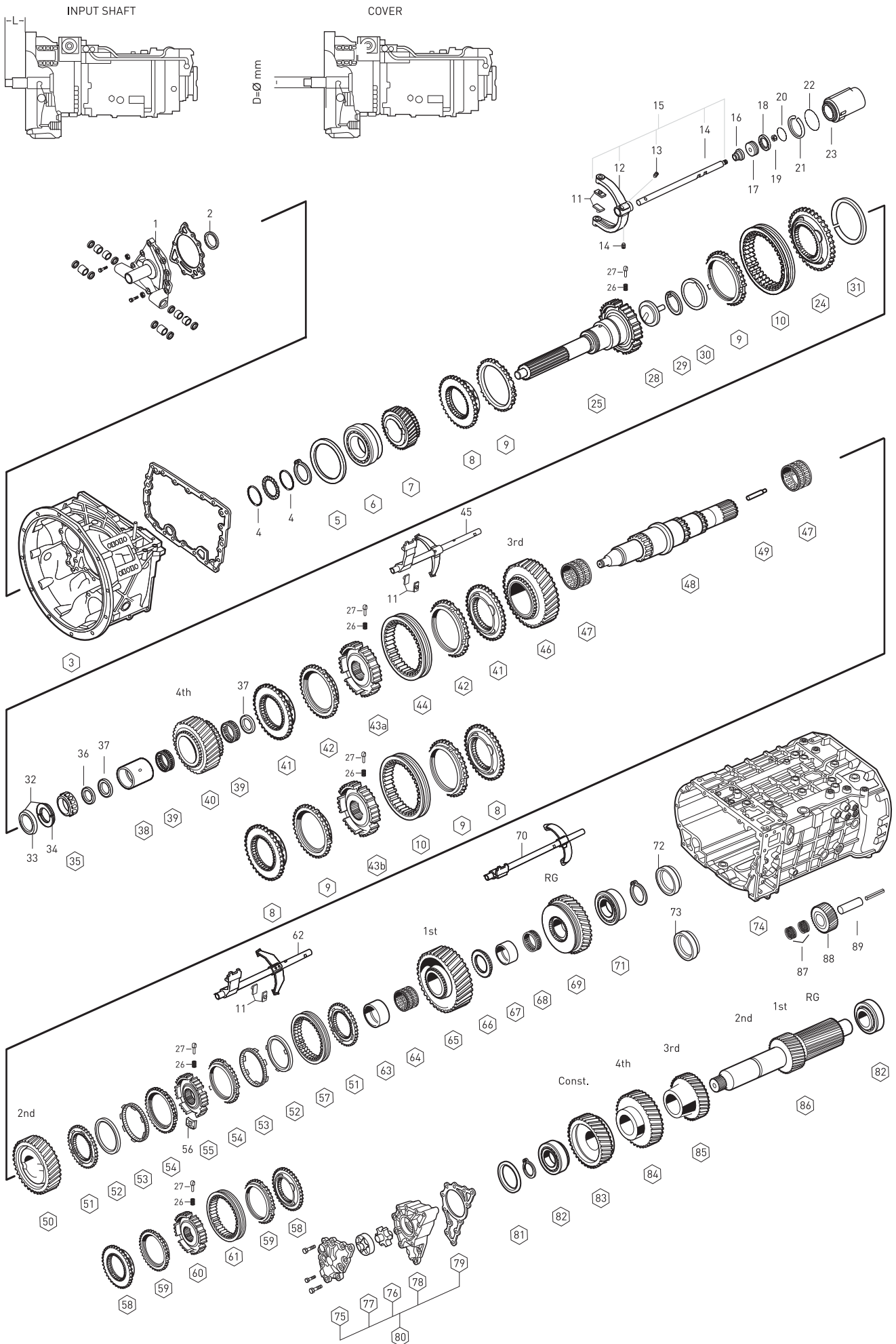


Fig.	Oem No	Oem Old No	Pcs	Description	Sizes	Notes	SG 13.80-0.84
1	1315 302 075	(1315 402 075)	1	COVER	L=7 D=60	A	◆
1	1315 302 134	(1315 402 134)	1	COVER	L=7 D=60	A	◆
1	1315 302 072	(1315 402 072)	1	COVER	L=3 D=62.6	B	◆
2	0734 310 387		1	OIL SEAL	55X75X8mm		◆
3	1316 201 142	(1316 301 064)	1	HOUSING			◆
4	0730 150 766		2	THRUST WASHER	3.30mm		◆
5	0730 007 486		1	SHIM	2.00mm		◆
5	0730 007 483		1	SHIM	1.85mm		◆
5	0730 007 479		1	SHIM	1.65mm		◆
5	0730 007 136		1	SHIM	1.60mm		◆
5	0730 007 129		1	SHIM	1.25mm		◆
5	0730 005 748		1	SHIM	0.90mm		◆
5	2050 309 067		1	SHIM	0.30mm		◆
5	0730 005 747		1	SHIM	0.25mm		◆
5	2050 309 068		1	SHIM	0.20mm		◆
5	2001673		1	SHIM	0.10mm		◆
6	0750 117 732		1	ROLLER BEARING	85X150X30.5mm		◆
7	1316 302 067		1	CONSTANT GEAR 35 T			◆
8	1312 304 027		1	ENGAGING RING			◆
9	1297 304 484	(1297 304 402)	2	SYNCHRONIZING CONE			◆
10	1310 304 202	(1312 302 057)	1	ENGAGING SLEEVE			◆
		(1310 304 174)					◆
11	1316 306 015		6	SLIDING PAD			◆
12	1315 312 074		1	G.SHIFT FORK			◆
13	1315 312 047		2	SCREW	M12X1.0mm		◆
14	1316 312 023		1	G.SHIFT RAIL			◆
15	1316 212 010		1	G.S.FORK and RAIL ASSY.			◆
16	0750 112 253	(0750 112 131)	1	FLANGE PACKING	25.0X40.0X15.0mm		◆
17	1312 312 020		1	PISTON			◆
18	0750 112 177		1	DOUBLE PACKING	55.0X63.0X9.4mm		◆
19	0737 006 095		1	NUT	M16X1.5mm		◆
20	0634 313 320		1	O-RING	67.0X3.0mm		◆
21	1315 312 034		1	SPRING			◆
22	0634 313 018		1	O-RING	82.0X3.0mm		◆
23	1316 312 015		1	CYLINDER			◆
24	1312 304 056		1	ENGAGING RING			◆
25	1316 202 025	(1316 302 085)	1	NPUT SHAFT	L=109 SAE 2	A	◆
25	1316 202 026	(1316 302 079)	1	NPUT SHAFT	L=117 SAE 2	B	◆
26	0732 040 409		9	SPRING			◆
27	1297 304 436		9	PRESSURE PIECE			◆
28	1315 302 196		1	OIL PIPET			◆

NOTES :

AB alphabetic letters are used in conjunction with the encoded parts.
 Alphabetical Coding has been done according to Input Shaft

16 S 251

GEARBOX 16S251

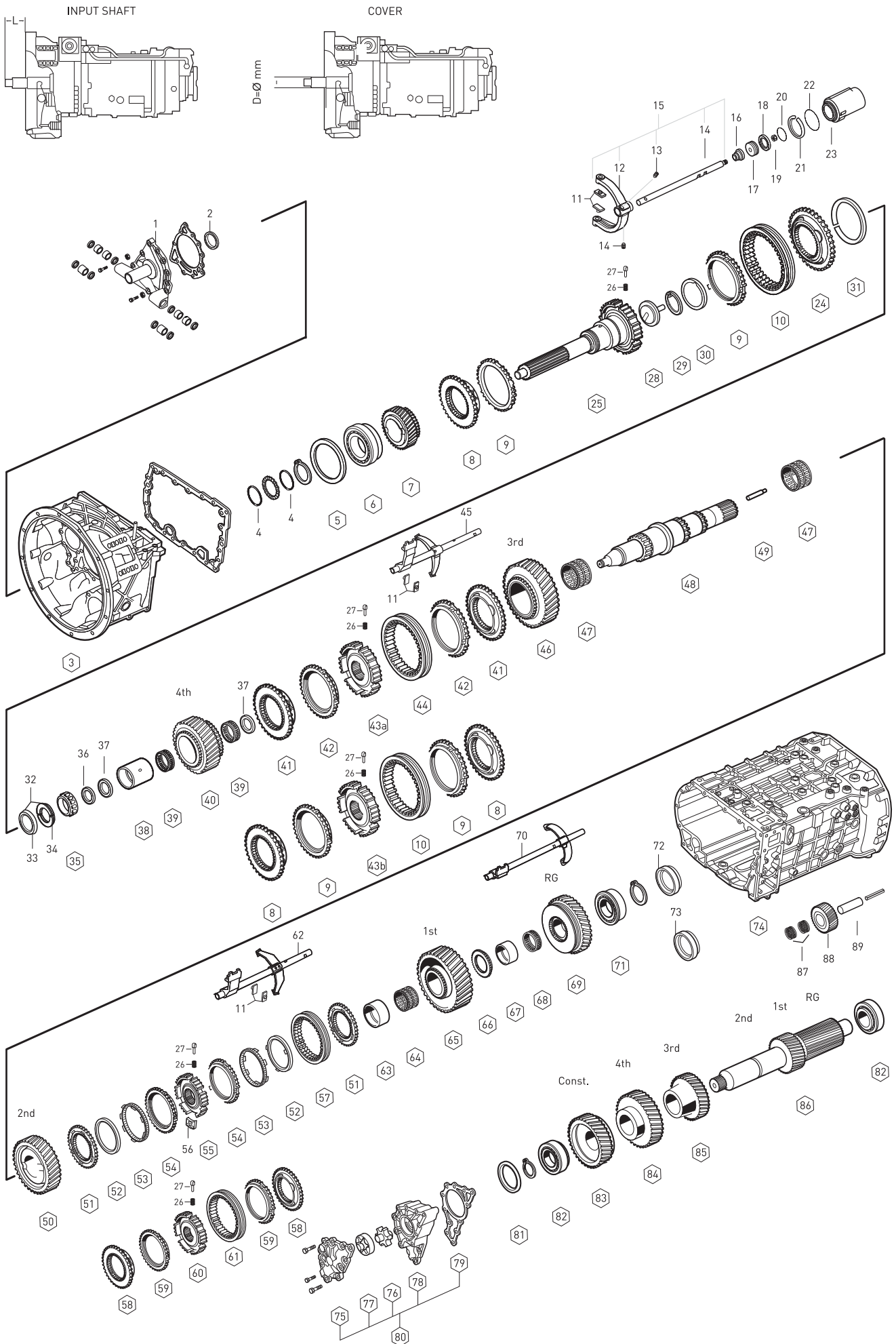


Fig.	Oem No	Oem Old No	Pcs	Description	Sizes	Notes	
29	0630 502 027		1	RETAINING RING	472/50X2mm		◆
30	0501 314 060		1	OIL SEAL			◆
31	0730 006 171		1	RING	3.50mm		◆
31	0730 005 465		1	RING	3.40mm		◆
32	1499 298 027		1	SIPLIT RING KIT	5.00mm	(1)	◆
32	1499 298 026		1	SIPLIT RING KIT	4.90mm	(2)	◆
32	2001580		1	SIPLIT RING KIT	4.85mm	(3)	◆
32	1499 298 025		1	SIPLIT RING KIT	4.80mm	(4)	◆
32	1499 298 024		1	SIPLIT RING KIT	4.70mm	(5)	◆
32	1499 298 023		1	SIPLIT RING KIT	4.60mm	(6)	◆
33	0730 062 781		1	RETAINING RING			◆
34	0730 107 023		2	SIPLIT RING	5.00mm		◆
34	0730 107 022		2	SIPLIT RING	4.90mm		◆
34	2001581		2	SIPLIT RING	4.85mm		◆
34	0730 107 021		2	SIPLIT RING	4.80mm		◆
34	0730 107 020		2	SIPLIT RING	4.70mm		◆
34	0730 107 019		2	SIPLIT RING	4.60mm		◆
35	0750 117 232		1	ROLLER BEARING	42X40.3mm		◆
36	1315 304 048		1	THRUST WASHER	8.00mm		◆
36	1315 304 047		1	THRUST WASHER	7.90mm		◆
36	1315 304 046		1	THRUST WASHER	7.80mm		◆
37	0750 101 158		2	THRUST WASHER			◆
38	0750 119 124		1	BEARING RACE	67X77X66.1mm		◆
39	0750 115 531	(0750 115 534)	2	NEEDLE CAGE	77X101X29mm		◆
40	1316 304 103		1	GEAR 4th 32 T			◆
41	1316 304 159	(1316 304 145)	2	ENGAGING RING			◆
8	1312 304 027		2	ENGAGING RING			◆
42	1316 304 168	(1316 304 149)	2	SYNCHRONIZING CONE			◆
9	1297 304 484	(1297 304 402)	2	SYNCHRONIZING CONE			◆
43a	1316 304 162		1	GUIDE SLEEVE			◆
43b	1312 304 052		1	GUIDE SLEEVE			◆
44	1316 304 167	(1315 304 135)	1	ENGAGING SLEEVE			◆
10	1310 304 202	(1312 302 057)	1	ENGAGING SLEEVE			◆
		(1310 304 174)					
45	1316 206 047		1	GEAR SHIT FORK 3rd/4th			◆
46	1316 304 066		1	GEAR 3rd 32 T			◆
47	0750 115 303		2	NEEDLE CAGE	92X100X63mm		◆
48	1316 304 131	(1312 304 091)	1	MAIN SHAFT			◆
49	1316 304 093	(1312 304 092)	1	OIL PIPE			◆
50	1316 304 002		1	GEAR 2nd 38 T			◆
51	1312 304 106		2	ENGAGING RING			◆

NOTES :

AB alphabetic letters are used in conjunction with the encoded parts.

Alphabetical Coding has been done according to Input Shaft

(1) This kit includes [1499 298 027] = 2pcs 0730 107 023 + 1pcs 0730 062 781

(2) This kit includes [1499 298 026] = 2pcs 0730 107 022 + 1pcs 0730 062 781

(3) This kit includes [2001580] = 2pcs 2001581 + 1pcs 0730 062 781

(4) This kit includes [1499 298 025] = 2pcs 0730 107 021 + 1pcs 0730 062 781

(5) This kit includes [1499 298 024] = 2pcs 0730 107 020 + 1pcs 0730 062 781

(6) This kit includes [1499 298 023] = 2pcs 0730 107 019 + 1pcs 0730 062 781

GEARBOX 16S251

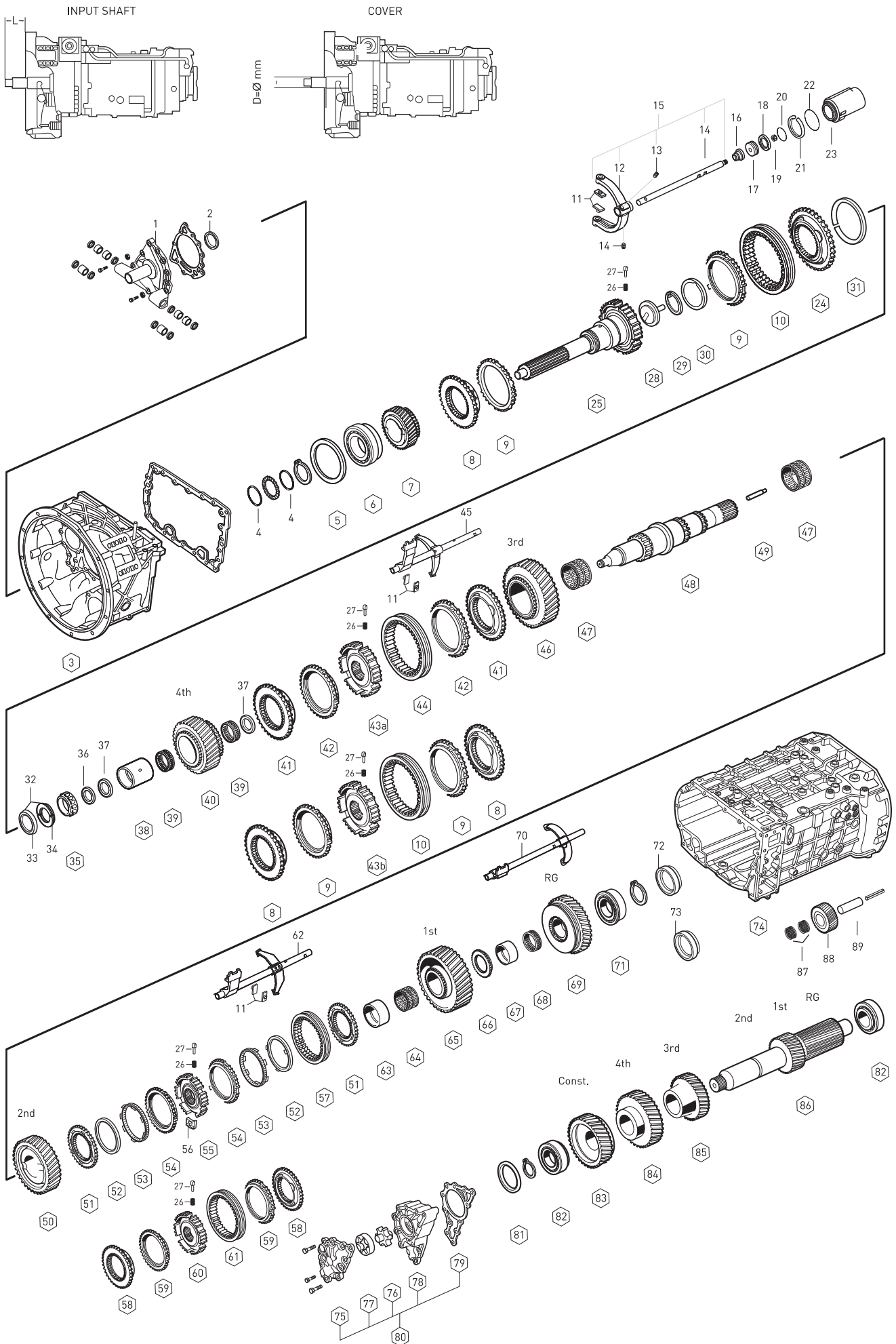
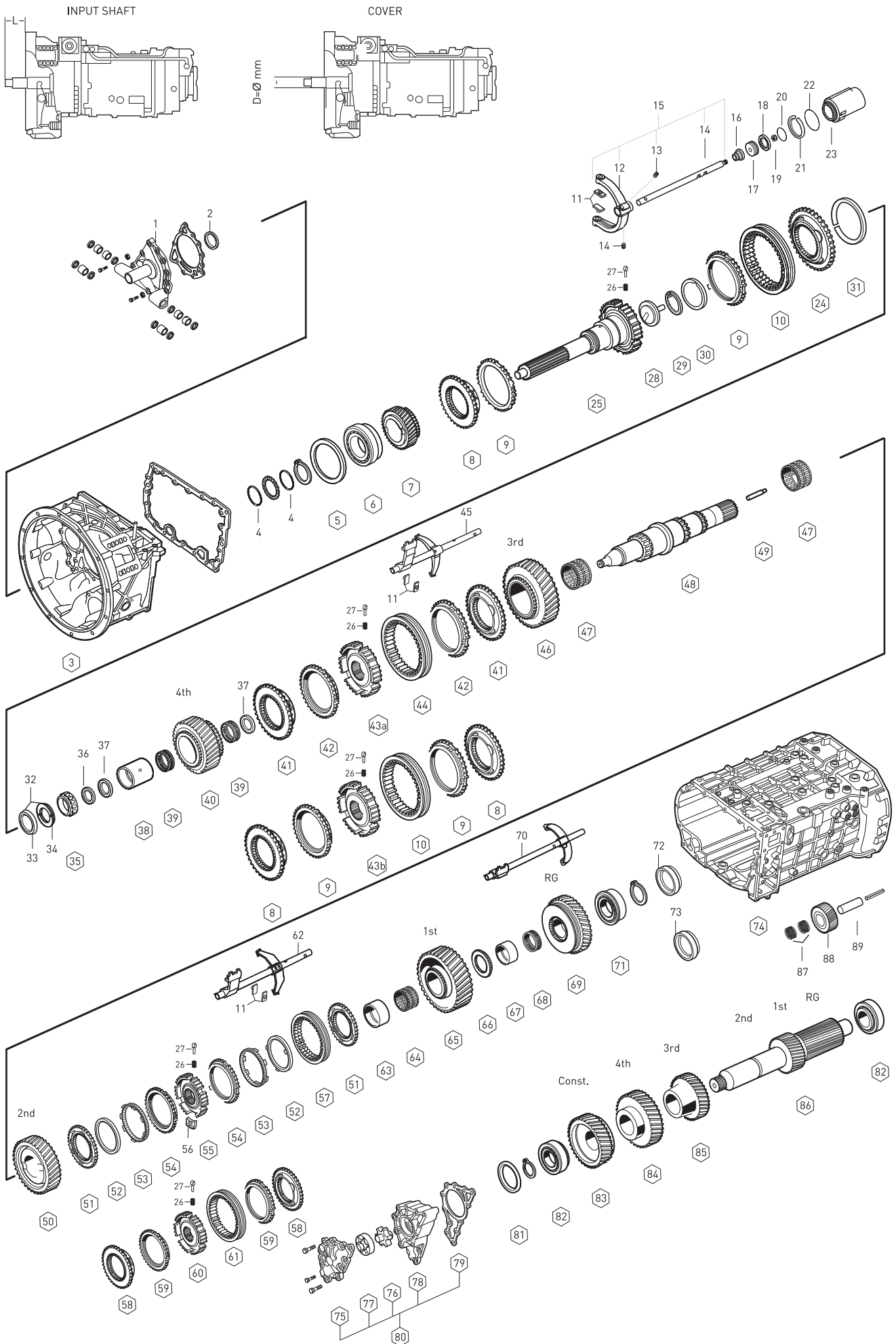


Fig.	Oem No	Oem Old No	Pcs	Description	Sizes	Notes	SG 13.80-0.84
52	1268 304 424		2	SYNCHRONIZING CONE			◆
53	1268 304 494	(1268 304 491)	2	INTERMEDIATE CONE			◆
54	1268 304 525		2	SYNCHRONIZING CONE			◆
55	1312 304 158		1	GUIDE SLEEVE			◆
56	1312 304 159		3	SLIDING BLOCK			◆
57	1310 304 175	(1312 304 157)	1	ENGAGING SLEEVE			◆
58a	1316 304 156		2	ENGAGING RING			◆
58b	1313 304 009		2	ENGAGING RING			◆
59a	1316 304 170	(1316 304 150)	2	SYNCHRONIZING CONE			◆
59b	1297 304 485	(1297 304 401)	2	SYNCHRONIZING CONE			◆
60a	1316 304 163		1	GUIDE SLEEVE			◆
60b	1313 304 008		1	GUIDE SLEEVE			◆
61a	1316 304 169	(1315 304 136)	1	ENGAGING SLEEVE			◆
61b	1316 304 078		1	ENGAGING SLEEVE			◆
62	1316 206 043		1	GEAR SHIT FORK 1st/2nd			◆
63	1312 304 084		1	BEARING RACE			◆
64	0750 115 327		1	NEEDLE CAGE	96X104X72mm		◆
65	1316 304 010		1	GEAR 1st 47 T			◆
66	1312 304 124		1	HUB			◆
67	1316 304 133	(1312 304 082)	1	BEARING RACE			◆
68	0750 115 326		1	NEEDLE CAGE	90X98X50mm		◆
69	1316 304 012		1	REVERSE GEAR 44 T			◆
70	1316 206 050		1	GEAR SHIT FORK/RG			◆
71	0750 117 678		1	ROLLER BEARING	80X140X36.5mm		◆
72	1316 332 109		1	WASHER (Retarder)			◆
73	1315 332 073		1	WASHER (NEW)			◆
74	1316 201 110		1	HOUSING			◆
75	1315 302 120	(1315 302 116)	1	PUMP COVER			◆
		(1315 402 120)					
76	1314 202 039		1	OIL PUMP GEAR			◆
77	1315 303 027		1	ROTOR			◆
78	1315 302 121	(1315 302 117)	1	PUMP HOUSING			◆
		(1315 402 121)					
79	1315 303 060	(0501 314 747)	1	GASKET			◆
80	2000570		KIT	OIL PUMP ASSY.			◆
81	0730 106 917		1	SHIM	3.00mm		◆
81	0730 106 909		1	SHIM	2.60mm		◆
81	0730 101 467		1	SHIM	2.20mm		◆
81	0730 106 905		1	SHIM	1.85mm		◆
81	2001678		1	SHIM	0.30mm		◆
81	2001679		1	SHIM	0.20mm		◆

NOTES :

AB alfabetic letters are used in conjunction with the encoded parts.
 Alphabetical Coding has been done according to Input Shaft

GEARBOX 16S251



GEARBOX 16S251

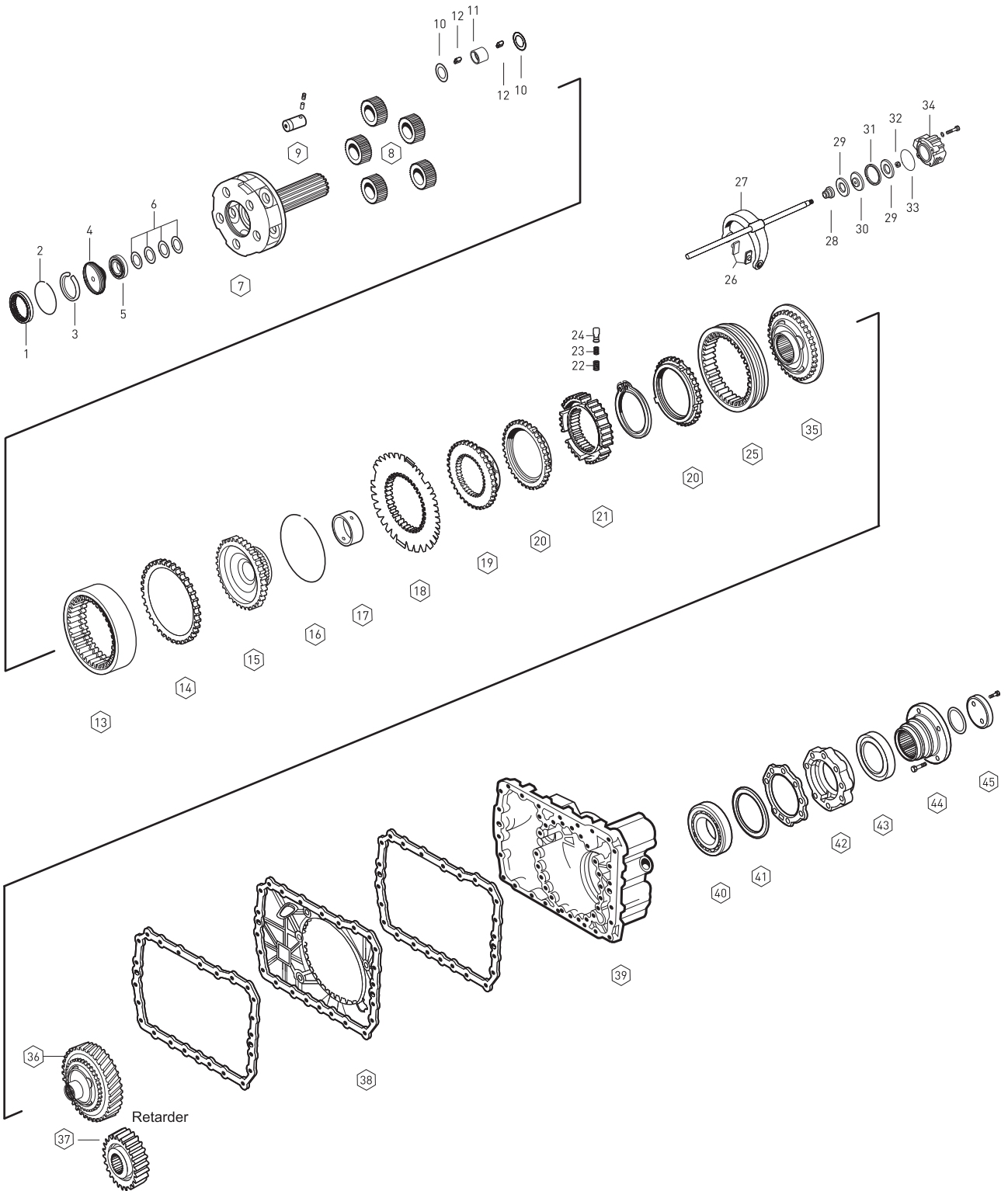
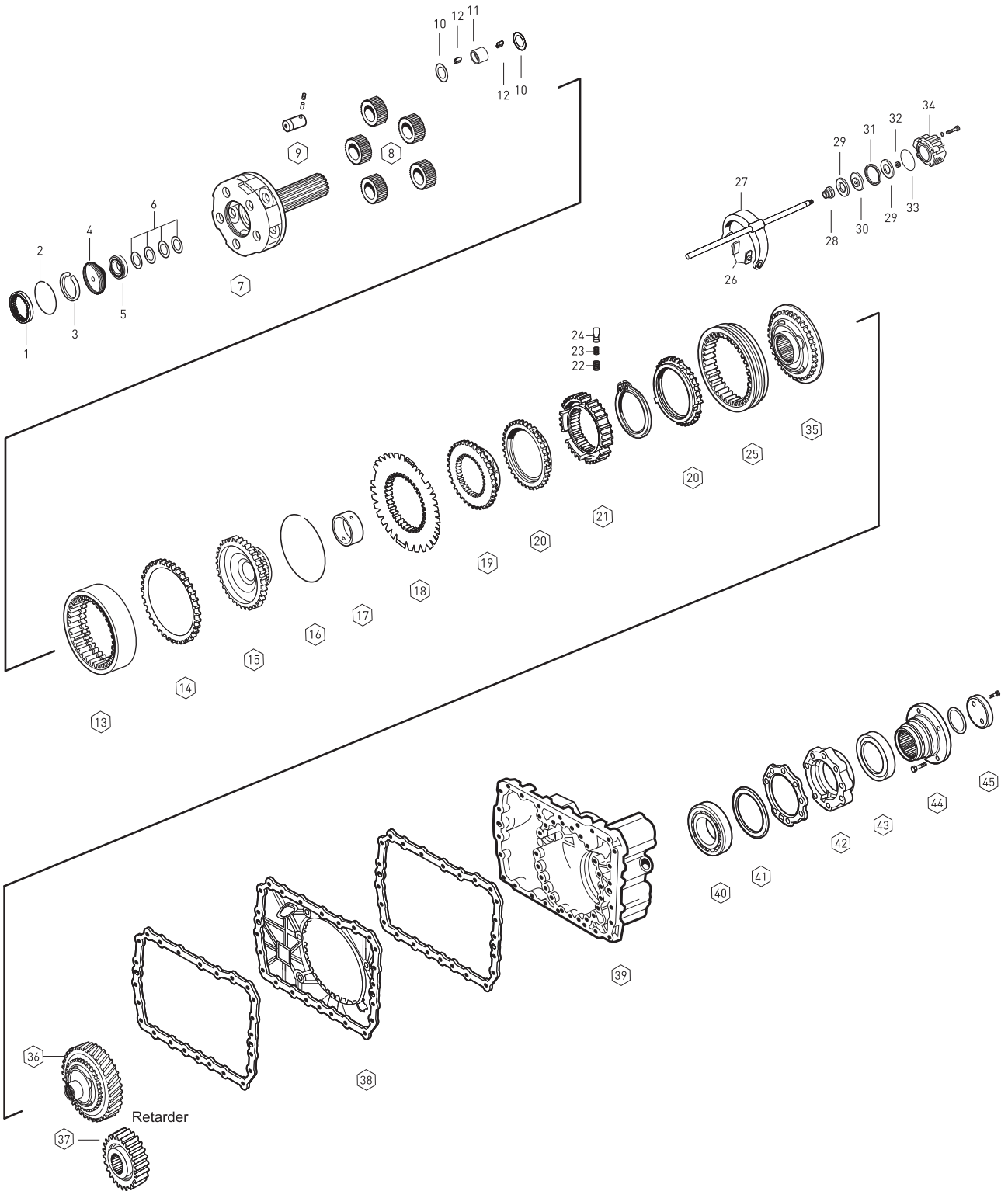


Fig.	Oem No	Oem Old No	Pcs.	Description	Sizes	Notes	SG 13.80-0.84
1	1316 332 068		1	PRESSURE DISC			◆
2	0630 513 243		1	SNAP RING	2.20mm		◆
2	0630 513 245		1	SNAP RING	1.60mm		◆
3	0730 513 680		1	SNAP RING	7.00mm		◆
4	1316 332 069		1	COVER			◆
5	0635 360 007		1	BALL.BEARING	30.0X47.0X11.0mm		◆
6	0770 067 039		4	CUP SPRING			◆
7	1316 232 021		1	PLANETARY CARRIER			◆
8	1316 232 017		5	PLANETARY GEAR SET			◆
9	1316 332 097		5	PLANET SHAFT			◆
10	0730 109 323		10	THRUST WASHER			◆
11	0730 162 801		5	THRUST WASHER	14.90mm		◆
12	0750 119 116		140	NEEDLE ROLLER	10X16.8mm		◆
13	1316 332 042		1	RING WHEEL			◆
14	1316 332 044		1	THRUST RING			◆
15	1316 332 073		1	CARRIER HUB			◆
16	0730 513 639		1	SPRING RING			◆
17	1316 333 014		1	BUSHING			◆
18	1316 333 026	(1316 333 010)	1	FLANGE			◆
19	1296 333 050		1	ENGAGING RING			◆
20	1296 333 045	(1296 333 022)	2	SYNCHRONIZING CONE			◆
21	1313 333 001		1	GUIDE SLEEVE			◆
22	0732 040 385		9	SPRING			◆
23	0732 040 386		9	SPRING			◆
24	1240 304 278		9	PRESSURE PIECE			◆
25	1296 333 023		1	ENGAGING SLEEVE			◆
26	1296 334 004		2	SLIDING PAD			◆
27	1316 334 011		1	GEAR SHIFT FORK			◆
28	0750 112 253	(0750 112 131)	1	FLANGE PACKING	25.0X40.0X15.0mm		◆
29	0734 307 294	(0734 307 280)	2	SEALING RING			◆
30	1315 334 034	(1315 334 063)	1	PISTON			◆
31	0750 112 066		1	GUIDE RING			◆
32	0737 006 095		1	NUT	M16X1.5mm		◆
33	0501 317 536		1	O-RING	94.0X3.0mm		◆
34	1315 334 056		1	CYLINDER			◆
35	1316 233 015		1	ENGAGING RING			◆
36	1316 233 014		1	ENGAGING RING	Retarder		◆
37	6085 301 012		1	GEAR (29 T)	Retarder		◆
38	1316 301 051		1	INTERM.PLATE			◆
39	1315 301 224	(1315 301 223)	1	HOUSING			◆
40	0750 116 002		1	ROLLER BEARING	90X160X30mm		◆

NOTES :

16 S 251

GEARBOX 16S251



GEARBOX 16S251

SYNCHRONIZER KIT CONST.

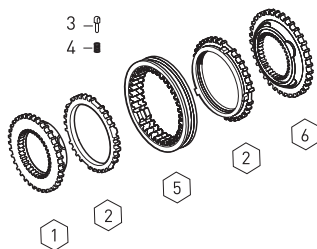


Fig.	o. Oem No	Oem Old No	Pcs	Description
	1297 298 955		Kit	SYNCHRONIZER KIT Const
1	1312 304 027		1	ENGAGING RING
2	1297 304 484	(1297 304 402)	2	SYNCHRONIZING CONE
3	1297 304 436		3	PRESSURE PIECE
4	0732 040 409		3	SPRING
5	1310 304 202	(1312 302 057)	1	ENGAGING SLEEVE
		(1310 304 174)		
6	1312 304 056		1	ENGAGING RING

SYNCHRONIZER KIT 3rd/4th/CONST.

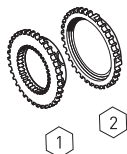


Fig.	o. Oem No	Oem Old No	Pcs	Description
	1312 204 031		Kit	SYNCH.KIT 3rd/4th/Const.
1	1312 304 027		1	ENGAGING RING
2	1297 304 484	(1297 304 402)	1	SYNCHRONIZING CONE

SYNCHRONIZER KIT 3rd/4th

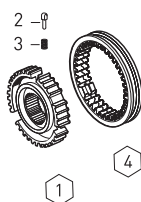


Fig.	o. Oem No	Oem Old No	Pcs	Description
	1312 204 028		Kit	SYNCH.KIT 3rd/4th
1	1312 304 052		1	GUIDE SLEEVE
2	1297 304 436		3	PRESSURE PIECE
3	0732 040 409		3	SPRING
4	1310 304 202	(1312 302 057)	1	ENGAGING SLEEVE
		(1310 304 174)		

SYNCHRONIZER KIT 3rd/4th

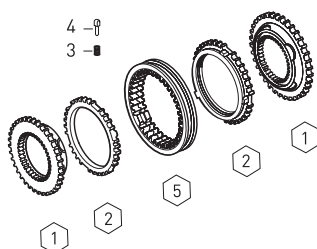


Fig.	o. Oem No	Oem Old No	Pcs	Description
	1315 298 030		Kit	SYNCH.KIT 3rd/4th
1	1312 304 027		2	ENGAGING RING
2	1297 304 484	(1297 304 402)	2	SYNCHRONIZING CONE
3	1297 304 436		3	PRESSURE PIECE
4	0732 040 409		3	SPRING
5	1310 304 202	(1312 302 057)	1	ENGAGING SLEEVE
		(1310 304 174)		

SYNCHRONIZER KIT 3rd/4th

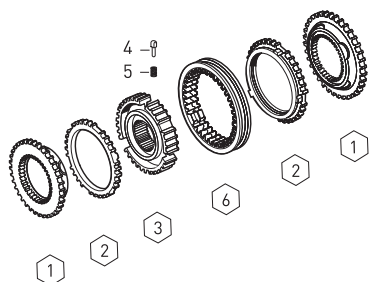


Fig.	o. Oem No	Oem Old No	Pcs	Description
	1315 298 018		Kit	SYNCH.KIT 3rd/4th
1	1312 304 027		2	ENGAGING RING
2	1297 304 484	(1297 304 402)	2	SYNCHRONIZING CONE
3	1312 304 052		1	GUIDE SLEEVE
4	1297 304 436		3	PRESSURE PIECE
5	0732 040 409		3	SPRING
6	1310 304 202	(1312 302 057)	1	ENGAGING SLEEVE
		(1310 304 174)		

Fig.	o. Oem No	Oem Old No	Pcs	Description
	1315 298 061	(1316 204 016)	Kit	SYNCH.KIT 3rd/4th
1	1316 304 159	(1316 304 145)	2	ENGAGING RING
2	1316 304 168	(1316 304 149)	2	SYNCHRONIZING CONE
3	1316 304 162		1	GUIDE SLEEVE
4	1297 304 436		3	PRESSURE PIECE
5	0732 040 409		3	SPRING
6	1316 304 167	(1315 304 135)	1	ENGAGING SLEEVE

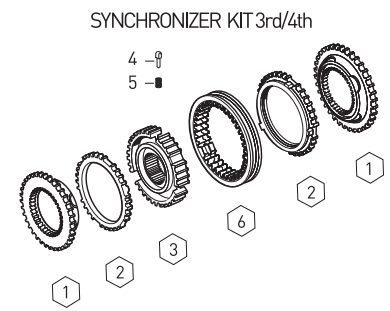


Fig.	o. Oem No	Oem Old No	Pcs	Description
	1316 204 014		Kit	SYNCH.KIT 3rd/4th
1	1316 304 168	(1316 304 149)	2	SYNCHRONIZING CONE
2	1316 304 162		1	GUIDE SLEEVE
3	1297 304 436		3	PRESSURE PIECE
4	0732 040 409		3	SPRING
5	1316 304 167	(1315 304 135)	1	ENGAGING SLEEVE



Fig.	o. Oem No	Oem Old No	Pcs	Description
	1313 204 009		Kit	SYNCH.KIT 1st/2nd
1	1313 304 009		1	ENGAGING RING
2	1297 304 485	(1297 304 401)	1	SYNCHRONIZING CONE



Fig.	o. Oem No	Oem Old No	Pcs	Description
	1313 204 008		Kit	SYNCH.KIT 1st/2nd
1	1313 304 008		1	GUIDE SLEEVE
2	1297 304 436		3	PRESSURE PIECE
3	0732 040 409		3	SPRING
4	1316 304 078		1 /	ENGAGING SLEEVE



Fig.	o. Oem No	Oem Old No	Pcs	Description
	1313 204 003		Kit	SYNCH.KIT 1st/2nd
1	1297 304 485	(1297 304 401)	2	SYNCH.CONE
2	1313 304 008		1	GUIDE SLEEVE
3	1297 304 436		3	PRESSURE PIECE
4	0732 040 409		3	SPRING
5	1316 304 078		1	ENGAGING SLEEVE

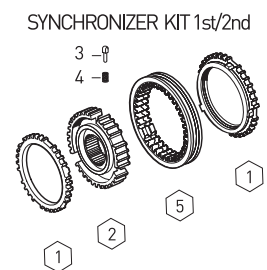
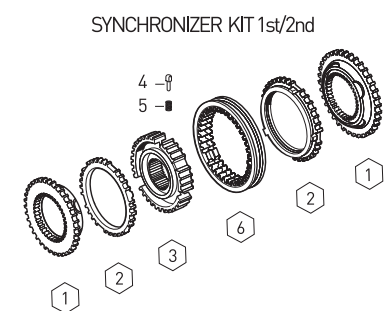


Fig.	o. Oem No	Oem Old No	Pcs	Description
	1313 298 909		Kit	SYNCH.KIT 1st/2nd
1	1313 304 009		2	ENGAGING RING
2	1297 304 485	(1297 304 401)	2	SYNCH.CONE
3	1313 304 008		1	GUIDE SLEEVE
4	1297 304 436		3	PRESSURE PIECE
5	0732 040 409		3	SPRING
6	1316 304 078		1 1	ENGAGING SLEEVE



GEARBOX 16S251

SYNCHRONIZER KIT 1st/2nd

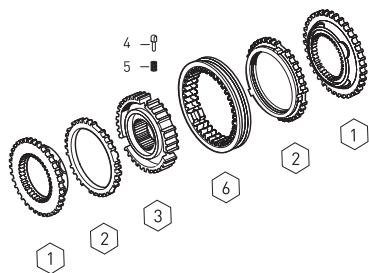


Fig.	o. Oem No	Oem Old No	Pcs	Description
	1315 298 060	(1316 204 017)	Kit	SYNCH.KIT 1st/2nd
1	1316 304 156		2	ENGAGING RING
2	1316 304 170	(1316 304 150)	2	SYNCH.CONE
3	1316 304 163		1	GUIDE SLEEVE
4	1297 304 436		3	PRESSURE PIECE
5	0732 040 409		3	SPRING
6	1316 304 169	(1315 304 136)	1	ENGAGING SLEEVE

SYNCHRONIZER KIT 1st/2nd

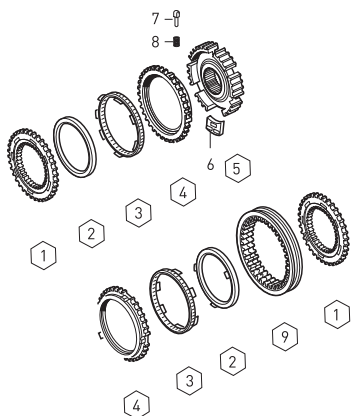


Fig.	o. Oem No	Oem Old No	Pcs	Description
	1315 204 006	(1312 298 911)	Kit	SYNCH.KIT 1st/2nd
1	1312 304 106		2	ENGAGING RING
2	1268 304 424		2	SYNCHRONIZING CONE
3	1268 304 494	(1268 304 491)	2	INTERMEDIATE CONE
4	1268 304 525		2	SYNCHRONIZING CONE
5	1312 304 158		1	GUIDE SLEEVE
6	1312 304 159		3	SLIDING BLOCK
7	1297 304 436		3	PRESSURE PIECE
8	0732 040 409		3	SPRING
9	1310 304 175	(1312 304 157)	1	ENGAGING SLEEVE

SYNCHRONIZER KIT PLANETARY

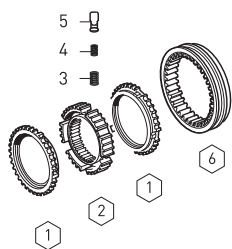


Fig.	o. Oem No	Oem Old No	Pcs	Description
	1315 233 029		Kit	SYNCHRONIZER KIT
1	1296 333 045	(1296 333 022)	2	SYNCHRONIZING CONE
2	1313 333 001		1	GUIDE SLEEVE
3	0732 040 385		9	SPRING
4	0732 040 386		9	SPRING
5	1240 304 278		9	PRESSURE PIECE
6	1296 333 023		1	ENGAGING SLEEVE

SYNCHRONIZER KIT PLANETARY

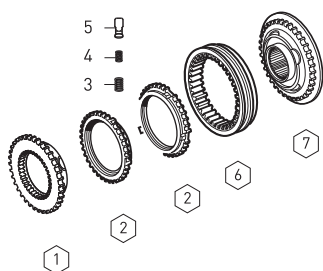


Fig.	o. Oem No	Oem Old No	Pcs	Description
	1315 298 034		Kit	SYNCHRONIZER KIT
1	1296 333 050		1	ENGAGING RING
2	1296 333 045	(1296 333 022)	2	SYNCHRONIZING CONE
3	0732 040 385		9	SPRING
4	0732 040 386		9	SPRING
5	1240 304 278		9	PRESSURE PIECE
6	1296 333 023		1	ENGAGING SLEEVE
7	1316 233 015		1	ENGAGING RING

Fig.	. Oem No	Oem Old No	Pcs	Description
	1315 298 029		Kit	SYNCHRONIZER KIT
1	1296 333 050		1	ENGAGING RING
2	1296 333 045	(1296 333 022)	2	SYNCHRONIZING CONE
3	1313 333 001		1	GUIDE SLEEVE
4	0732 040 385		9	SPRING
5	0732 040 386		9	SPRING
6	1240 304 278		9	PRESSURE PIECE
7	1296 333 023		1	ENGAGING SLEEVE
8	1316 233 015		1	ENGAGING RING

SYNCHRONIZER KIT PLANETARY

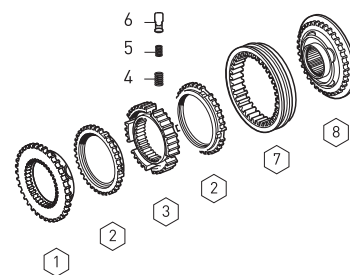
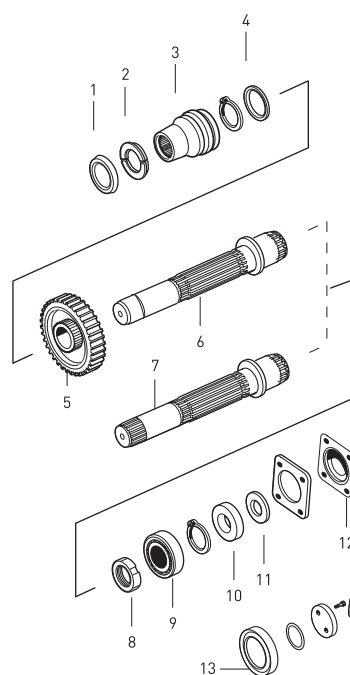


Fig.	. Oem No	Oem Old No	Pcs.	Description
1	K20.01585 1315 298 001		Kit	GASKET KIT
2	1315 301 233		1	GASKET
3	0501 314 246		1	GASKET
3	0501 314 587		1	GASKET
4	1316 301 042		2	GASKET
4	1315 301 007		2	GASKET
5	0501 318 308		2	GASKET
6	1315 307 012		1	GASKET
7	1315 307 013		1	GASKET
8	0501 317 240		1	GASKET
9	1315 331 001		1	GASKET
10	1238 308 201		1	GASKET
11	0501 316 146		1	GASKET
11	1315 301 234		1	GASKET
12	1316 301 022		1	GASKET
13	1315 303 060		1	GASKET
14	1315 307 242		1	GASKET

GEARBOX GASKET KIT

Fig.	. Oem No	Oem Old No	Pcs	Description
1	1296 313 131		1	RETAINING RING
2	0730 104 627		1	SPLIT RING
3	1296 313 238		1	SLIDING SLEEVE
4	0730 104 628		1	THRUST WASHER
5	1296 313 082		1	GEAR 33 T
5	1296 313 083		1	GEAR 36 T
5	1296 313 084		1	GEAR 38 T
5	1296 313 085		1	GEAR 39 T
5	1296 313 086		1	GEAR 46 T
6	1296 213 028		1	INTERM.SHAFT
7	1296 213 028		1	INTERM.SHAFT (Milled)
8	1296 313 125		1	NUT
9	0735 410 139		1	ROLLER BEARING
10	7429 032 102		1	THRUST WASHER
11	1232 304 062		1	SHIM (1.00mm)
11	1232 304 063		1	SHIM (0.90mm)
11	1232 304 072		1	SHIM (0.70mm)
12	1250 313 190		1	COVER
13	0750 111 341		1	OIL SEAL

P.T.O. (POWER TAKE OFF)



GEARBOX 16S1620 TD

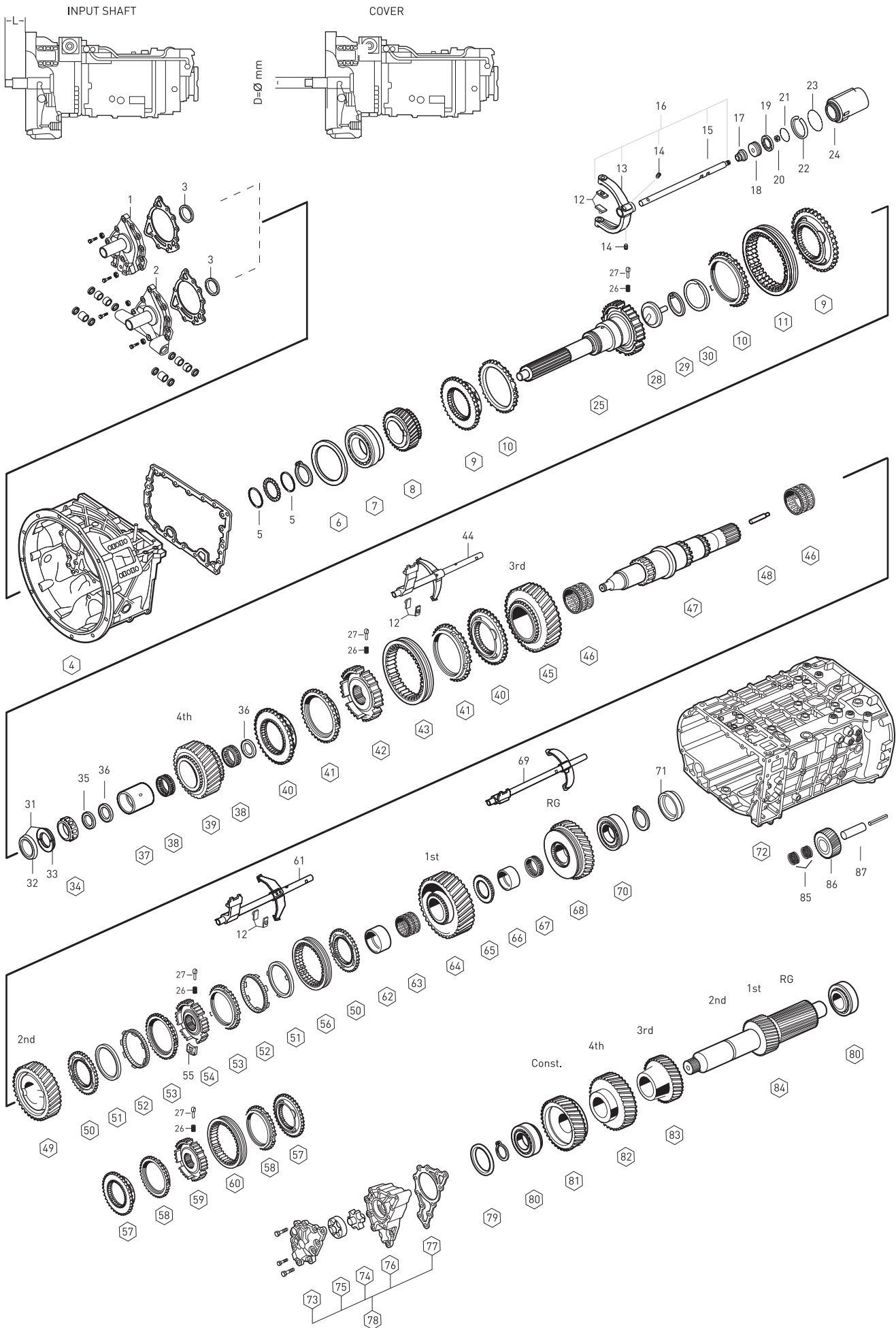


Fig.	Oem No	Oem Old No	Pcs	Description	Sizes	Notes	DG 16.41-1.00
1	1315 302 136	(1315 402 136)	1	COVER	L=7 D=60	C	◆
1	1315 302 075	(1315 402 075)	1	COVER	L=7 D=60	A	◆
2	1315 302 193		1	COVER	L=7 D=60	D	◆
2	1315 302 072	(1315 402 072)	1	COVER	L=3 D=62.6	B	◆
2	1315 302 161	(1315 402 161)	1	COVER	L=24 D=60	C	◆
3	0734 310 387		1	OIL SEAL	55X75X8mm		◆
4	1316 201 142	(1316 301 064)	1	HOUSING		ABD	◆
4	1316 201 149	(1316 301 069)	1	HOUSING		C	◆
5	0730 150 766		2	THRUST WASHER	3.30mm		◆
6	0730 007 486		1	SHIM	2.00mm		◆
6	0730 007 479		1	SHIM	1.65mm		◆
6	0730 007 136		1	SHIM	1.60mm		◆
6	0730 007 129		1	SHIM	1.25mm		◆
6	0730 005 748		1	SHIM	0.90mm		◆
6	0730 005 747		1	SHIM	0.25mm		◆
6	2050 309 068		1	SHIM	0.20mm		◆
6	2001673		1	SHIM	0.10mm		◆
7	0750 117 732		1	ROLLER BEARING	85X150X30.5mm		◆
8	1315 302 157		1	CONSTANT GEAR 30T			◆
9	1312 304 027		2	ENGAGING RING			◆
10	1297 304 484	(1297 304 402)	2	SYNCHRONIZING CONE			◆
11	1310 304 202	(1312 302 057)	1	ENGAGING SLEEVE			◆
		(1310 304 174)					
12	1316 306 015		6	SLIDING PAD			◆
13	1315 312 074		1	G.SHIFT FORK			◆
14	1315 312 047		2	SCREW	M12X1.0mm		◆
15	1315 312 073		1	G.SHIFT RAIL			◆
16	1315 212 013		1	G.S.FORK and RAIL ASSY.			◆
17	0750 112 253	(0750 112 131)	1	FLANGE PACKING	25.0X40.0X15.0mm		◆
18	1312 312 020		1	PISTON			◆
19	0750 112 177		1	DOUBLE PACKING	55.0X63.0X9.4mm		◆
20	0737 006 095		1	NUT	M16X1.5mm		◆
21	0634 313 320		1	O-RING	67.0X3.0mm		◆
22	1315 312 034		1	SPRING			◆
23	0634 313 018		1	O-RING	82.0X3.0mm		◆
24	1315 312 048		1	CYLINDER			◆
25	1315 202 037	(1315 302 153)	1	INPUT SHAFT	L=109 SAE 2	A	◆
25	1315 202 040	(1315 302 162)	1	INPUT SHAFT	L=117 SAE 2	B	◆
25	1315 202 038		1	INPUT SHAFT	L=109 SAE 2	C	◆
25	1315 202 070		1	INPUT SHAFT	L=117 SAE 2	D	◆
26	0732 040 409		9	SPRING			◆

NOTES :

ABCD alfabetic letters are used in conjunction with the encoded parts.
 Alphabetical Coding has been done according to Input Shaft

16 S 1620 TD

GEARBOX 16S1620 TD

