

# GEARBOX 16S160

## PLANETARY GEAR KIT

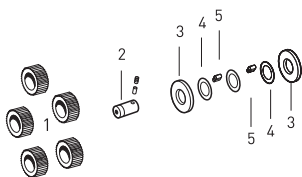


Fig.	. Oem No	Oem Old No	Pcs	Description
	<b>1297 298 919</b>		Kit	PLANETARY GEAR KIT
1	<b>1297 232 024</b>	<b>(1297 332 028)</b>	5	PLANETARY GEAR
2	<b>1297 332 109</b>	<b>(1297 332 005)</b>	5	PLANETARY SHAFT
3	<b>0501 306 212</b>		10	THRUST WASHER
4	<b>0730 103 846</b>		15	THRUST WASHER
5	<b>0750 119 109</b>		120	NEEDLE ROLLER (10X16.8)

## SYNCHRONIZER KIT PLANETARY

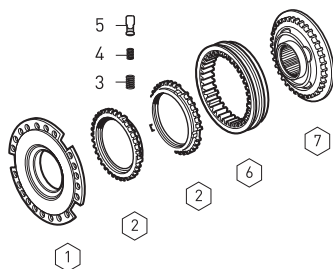


Fig.	. Oem No	Oem Old No	Pcs	Description
	<b>1295 298 939</b>		Kit	SYNCHRONIZER KIT
1	<b>1296 233 006</b>		1	FLANGE
2	<b>1296 333 045</b>	<b>(1296 333 022)</b>	2	SYNCHRONIZING CONE
3	<b>0732 040 385</b>		9	SPRING
4	<b>0732 040 386</b>		9	SPRING
5	<b>1240 304 278</b>		9	PRESSURE PIECE
6	<b>1296 333 023</b>		1	ENGAGING SLEEVE
7	<b>1313 233 001</b>	<b>(1297 233 018)</b>	1	ENGAGING RING

## SYNCHRONIZER KIT PLANETARY

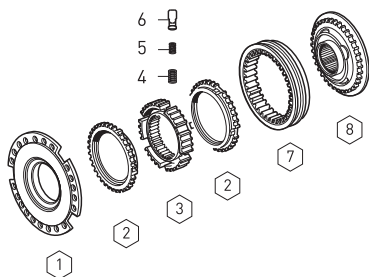


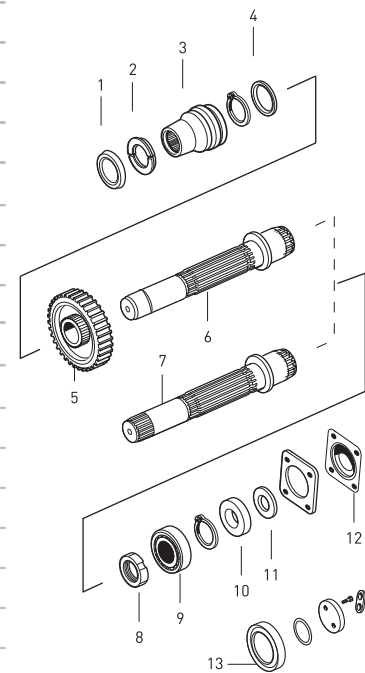
Fig	. Oem No	Oem Old No	Pcs	Description
	<b>1295 298 950</b>		Kit	SYNCHRONIZER KIT
1	<b>1296 233 006</b>		1	FLANGE
2	<b>1296 333 045</b>	<b>(1296 333 022)</b>	2	SYNCHRONIZING CONE
3	<b>1296 333 002</b>		1	GUIDE SLEEVE
4	<b>0732 040 385</b>		9	SPRING
5	<b>0732 040 386</b>		9	SPRING
6	<b>1240 304 278</b>		9	PRESSURE PIECE
7	<b>1296 333 023</b>		1	ENGAGING SLEEVE
8	<b>1313 233 001</b>	<b>(1297 233 018)</b>	1	ENGAGING RING

## GEARBOX GASKET KIT

Fig.	. Oem No	Oem Old No	Pcs	Description
1	<b>K20.01584</b>	<b>1295 298 915</b>	Kit	GASKET KIT
2		<b>1313 301 038</b>	1	GASKET
3		<b>1313 302 014</b>	1	GASKET
4		<b>1313 306 012</b>	1	GASKET
5		<b>1313 307 002</b>	1	GASKET
5		<b>1313 307 020</b>	2	GASKET
5		<b>1313 307 003</b>	1	GASKET
5		<b>1313 307 004</b>	1	GASKET
5		<b>1313 307 022</b>	1	GASKET
6		<b>1313 301 037</b>	1	GASKET
7		<b>1313 301 036</b>	1	GASKET
8		<b>1238 308 201</b>	1	GASKET
9		<b>1313 307 005</b>	1	GASKET
10		<b>1313 307 006</b>	1	GASKET

Fig	. Oem No	Oem Old No	Pcs	Description
1	1296 313 131		1	RETAINING RING
2	0730 104 627		1	SPLIT RING
3	1296 313 238		1	SLIDING SLEEVE
4	0730 104 628		1	THRUST WASHER
5	1296 313 082		1	GEAR 33 T
5	1296 313 083		1	GEAR 36 T
5	1296 313 084		1	GEAR 38 T
5	1296 313 085		1	GEAR 39 T
5	1296 313 086		1	GEAR 46 T
6	1296 213 028		1	INTERM.SHAFT
7	1296 213 028		1	INTERM.SHAFT (Milled)
8	1296 313 125		1	NUT
9	0735 410 139		1	ROLLER BEARING
10	7429 032 102		1	THRUST WASHER
11	1232 304 062		1	SHIM (1.00mm)
11	1232 304 063		1	SHIM (0.90mm)
11	1232 304 072		1	SHIM (0.70mm)
12	1250 313 190		1	COVER
13	0750 111 341		1	OIL SEAL

P.T.O. (POWERTAKEOFF)



# GEARBOX 16S160/1

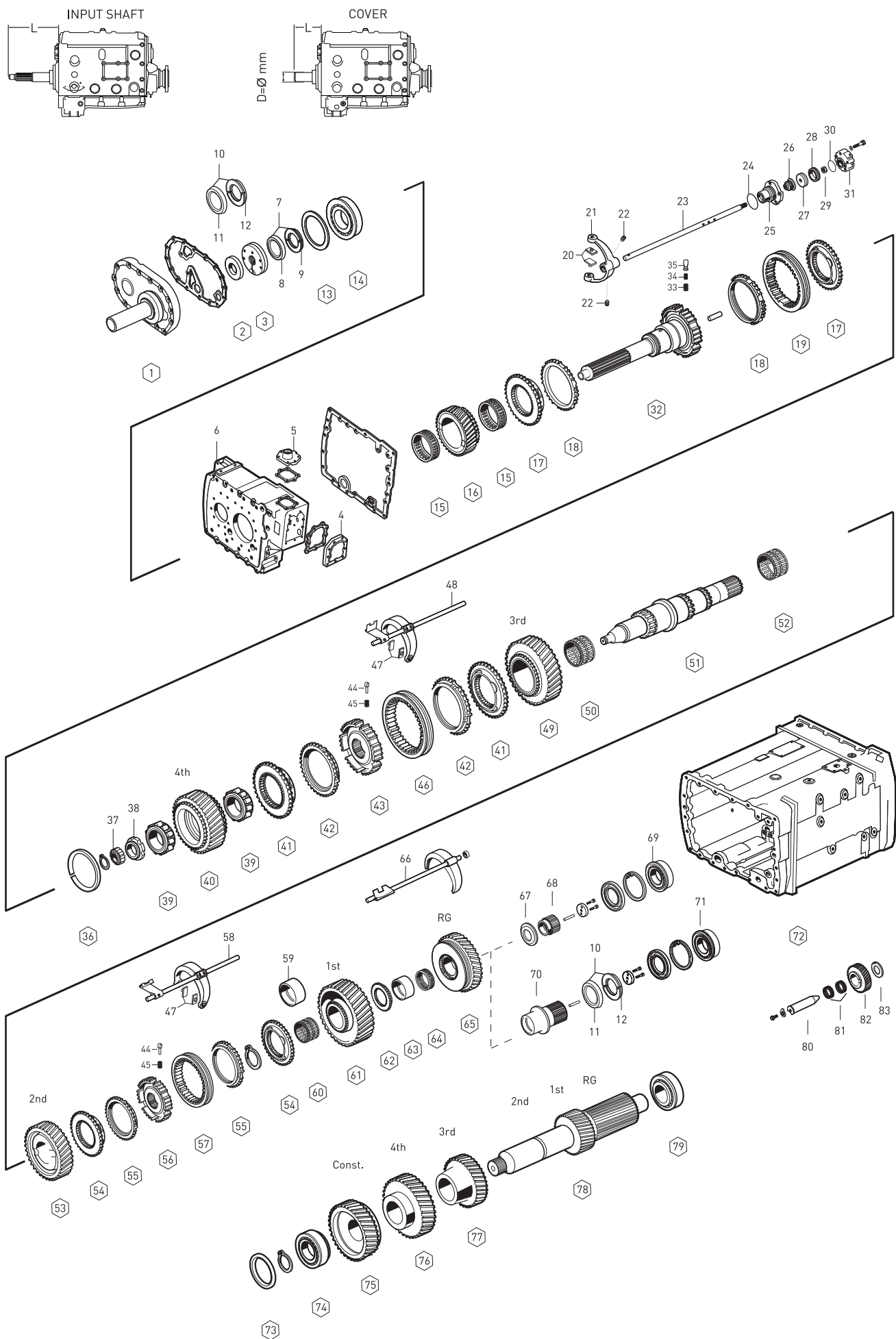


Fig	Oem No	Oem Old No	Pcs	Description	Sizes	Notes	SG 11.46-0.85	DG 13.68-1.00	SG 14.29-0.82	DG 17.06-1.00
1	1297 302 011		1	COVER	L=170 D=57	A	◆	◆	◆	◆
2	0750 111 002		1	OIL SEAL	48X75X8mm	A	◆	◆	◆	◆
2	0634 310 733		1	OIL SEAL	90X110X13mm	B	◆		◆	
3	1295 202 041		1	OIL PUMP			◆	◆	◆	◆
4	1295 307 479		1	COVER			◆	◆	◆	◆
5	1295 307 434		1	COVER			◆	◆	◆	◆
6	1296 301 227	(1296 301 228)	1	HOUSING		B		◆	◆	
6	1296 301 150	(1296 301 195)	1	HOUSING		A	◆			◆
6	1296 301 205		1	HOUSING		A		◆	◆	
7	1499 298 003		1	SIPLIT RING KIT	4.00mm	(1)	◆	◆	◆	◆
7	1499 298 002		1	SIPLIT RING KIT	3.90mm	(2)	◆	◆	◆	◆
7	1499 298 001		1	SIPLIT RING KIT	3.80mm	(3)	◆	◆	◆	◆
8	0730 062 579		1	RETAINING RING			◆	◆	◆	◆
9	0730 105 156		2	SIPLIT RING	4.00mm		◆	◆	◆	◆
9	0730 105 155		2	SIPLIT RING	3.90mm		◆	◆	◆	◆
9	0730 105 154		2	SIPLIT RING	3.80mm		◆	◆	◆	◆
10	1499 298 090		1	SIPLIT RING KIT	4.30mm	(4)	◆	◆	◆	◆
10	1499 298 114		1	SIPLIT RING KIT	4.20mm	(5)	◆	◆	◆	◆
10	1499 298 100		1	SIPLIT RING KIT	4.10mm	(6)	◆	◆	◆	◆
10	1499 298 098		2	SIPLIT RING KIT	4.00mm	(7)	◆	◆	◆	◆
10	1499 298 096		2	SIPLIT RING KIT	3.90mm	(8)	◆	◆	◆	◆
10	1499 298 094		2	SIPLIT RING KIT	3.80mm	(9)	◆	◆	◆	◆
11	0730 061 816		2	RETAINING RING			◆	◆	◆	◆
12	0730 103 244		2	SIPLIT RING	4.30mm		◆	◆	◆	◆
12	0730 104 337		2	SIPLIT RING	4.20mm		◆	◆	◆	◆
12	0730 103 941		2	SIPLIT RING	4.10mm		◆	◆	◆	◆
12	0730 103 939		4	SIPLIT RING	4.00mm		◆	◆	◆	◆
12	0730 103 937		4	SIPLIT RING	3.90mm		◆	◆	◆	◆
12	0730 103 935		4	SIPLIT RING	3.80mm		◆	◆	◆	◆
13	0730 102 504		1	SHIM	0.60mm		◆	◆	◆	◆
13	2001645		1	SHIM	0.30mm		◆	◆	◆	◆
13	2001646		1	SHIM	0.20mm		◆	◆	◆	◆
13	2001647		1	SHIM	0.10mm		◆	◆	◆	◆
14	0750 118 130	(0750 118 131)	1	ROLLER BEARING	80X150X27.5mm		◆	◆	◆	◆
15	0735 320 896		2	NEEDLE CAGE	88X96X29mm		◆	◆	◆	◆
16	1297 302 177	(1297 302 070)	1	CONSTANT GEAR 30 T		AB	◆			
16	1297 302 176	(1297 302 071)	1	CONSTANT GEAR 28 T		A		◆		
16	1297 302 250	(1297 302 111)	1	CONSTANT GEAR 29 T		AB			◆	
16	1297 302 241	(1297 302 079)	1	CONSTANT GEAR 26 T		A				◆
17	1295 304 278		4	ENGAGING RING			◆	◆	◆	◆
17	1297 304 041		4	ENGAGING RING			◆	◆	◆	◆

NOTES :

AB alphabetic letters are used in conjunction with the encoded parts.

Alphabetical Coding has been done according to Input Shaft

- (1) This kit includes (1499 298 003) = 2pcs 0730 105 156 + 1pcs 0730 062 579
- (2) This kit includes (1499 298 002) = 2pcs 0730 105 155 + 1pcs 0730 062 579
- (3) This kit includes (1499 298 001) = 2pcs 0730 105 154 + 1pcs 0730 062 579
- (4) This kit includes (1499 298 090) = 2pcs 0730 103 244 + 1pcs 0730 061 816
- (5) This kit includes (1499 298 114) = 2pcs 0730 104 337 + 1pcs 0730 061 816
- (6) This kit includes (1499 298 100) = 2pcs 0730 103 941 + 1pcs 0730 061 816
- (7) This kit includes (1499 298 098) = 2pcs 0730 103 939 + 1pcs 0730 061 816
- (8) This kit includes (1499 298 096) = 2pcs 0730 103 937 + 1pcs 0730 061 816
- (9) This kit includes (1499 298 094) = 2pcs 0730 103 935 + 1pcs 0730 061 816

16 S 160/1





Fig	Oem No	Oem Old No	Pcs	Description	Sizes	Notes	SG 11.46-0.85	DG 13.68-1.00	SG 14.29-0.82	DG 17.06-1.00
18	1304 304 686	(1295 304 004)	4	SYNCHRONIZING CONE			◆	◆	◆	◆
19	1295 304 002		2	ENGAGING SLEEVE			◆	◆	◆	◆
20	1295 306 132		2	SLIDING PAD			◆	◆	◆	◆
21	1313 312 002		1	G.SHIFT FORK			◆	◆	◆	◆
22	1315 312 047		2	SCREW	M12X1.0mm		◆	◆	◆	◆
23	1297 312 008		1	G.SHIFT RAIL			◆	◆	◆	◆
24	0634 313 671		1	O-RING	80.0X3.0mm		◆	◆	◆	◆
25	1296 312 042	(1296 312 016)	1	CYLINDER			◆	◆	◆	◆
26	0750 112 034		1	FLANGE PACKING	25.0X38.0X14.2mm		◆	◆	◆	◆
27	1296 312 053	(1296 312 047)	1	PISTON			◆	◆	◆	◆
28	0750 112 089		1	DOUBLE PACKING	53.0X63.0X16.2mm		◆	◆	◆	◆
29	0737 006 095		1	NUT	M16X1.5mm		◆	◆	◆	◆
30	0634 314 018		1	O-RING	59.0X2.0mm		◆	◆	◆	◆
31	0750 132 032		1	5/2 WAY VALVE			◆	◆	◆	◆
32	1297 202 052		1	INPUT SHAFT	L=260 SAE 1 3/4	A	◆	◆	◆	◆
32	1297 221 008		1	INPUT SHAFT	L=367.6 SAE 1 3/4	B	◆	◆	◆	◆
33	0732 040 385		9	SPRING			◆	◆	◆	◆
34	0732 040 386		9	SPRING			◆	◆	◆	◆
35	1240 304 278		9	PRESSURE PIECE			◆	◆	◆	◆
36	0730 003 518		1	RING	6.30mm		◆	◆	◆	◆
36	0730 003 517		1	RING	6.00mm		◆	◆	◆	◆
36	0730 003 161		1	RING	5.10mm		◆	◆	◆	◆
36	0730 003 159		1	RING	4.50mm		◆	◆	◆	◆
36	0730 004 237		1	RING	4.00mm		◆	◆	◆	◆
37	0750 118 038		1	ROLLER BEARING	35X68X27.5mm		◆	◆	◆	◆
38	0737 502 092		1	NUT	M60X1.5mm		◆	◆	◆	◆
39	0750 118 220		2	ROLLER BEARING	63X97.5X37.5mm		◆	◆	◆	◆
40	1297 304 267	(1297 304 025)	1	GEAR 4th 28 T		AB	◆	◆	◆	◆
40	1297 304 260	(1297 304 026)	1	GEAR 4th 30 T		A	◆	◆	◆	◆
40	1297 304 318	(1297 304 175)	1	GEAR 4th 26 T		AB	◆	◆	◆	◆
40	1297 304 413	(1297 304 285)	1	GEAR 4th 29 T		A	◆	◆	◆	◆
41	1297 304 369		2	ENGAGING RING			◆	◆	◆	◆
42	1297 304 484	(1297 304 402)	2	SYNCHRONIZING CONE			◆	◆	◆	◆
43	1297 304 446		1	GUIDE SLEEVE			◆	◆	◆	◆
44	1297 304 436		6	PRESSURE PIECE			◆	◆	◆	◆
45	0732 040 409		6	SPRING			◆	◆	◆	◆
46	1310 304 202	(1312 302 057)	1	ENGAGING SLEEVE			◆	◆	◆	◆
		(1310 304 174)								
47	1297 306 120		4	SLIDING PAD			◆	◆	◆	◆
48	1297 206 103	(1297 206 049)	1	GEAR SHIT FORK 3rd/4th			◆	◆	◆	◆
49	1297 304 266	(1297 304 019)	1	GEAR 3rd 32 T		AB	◆	◆	◆	◆

NOTES :

AB alfabetic letters are used in conjunction with the encoded parts.  
 Alphabetical Coding has been done according to Input Shaft

16 S 160/1

# GEARBOX 16S160/1

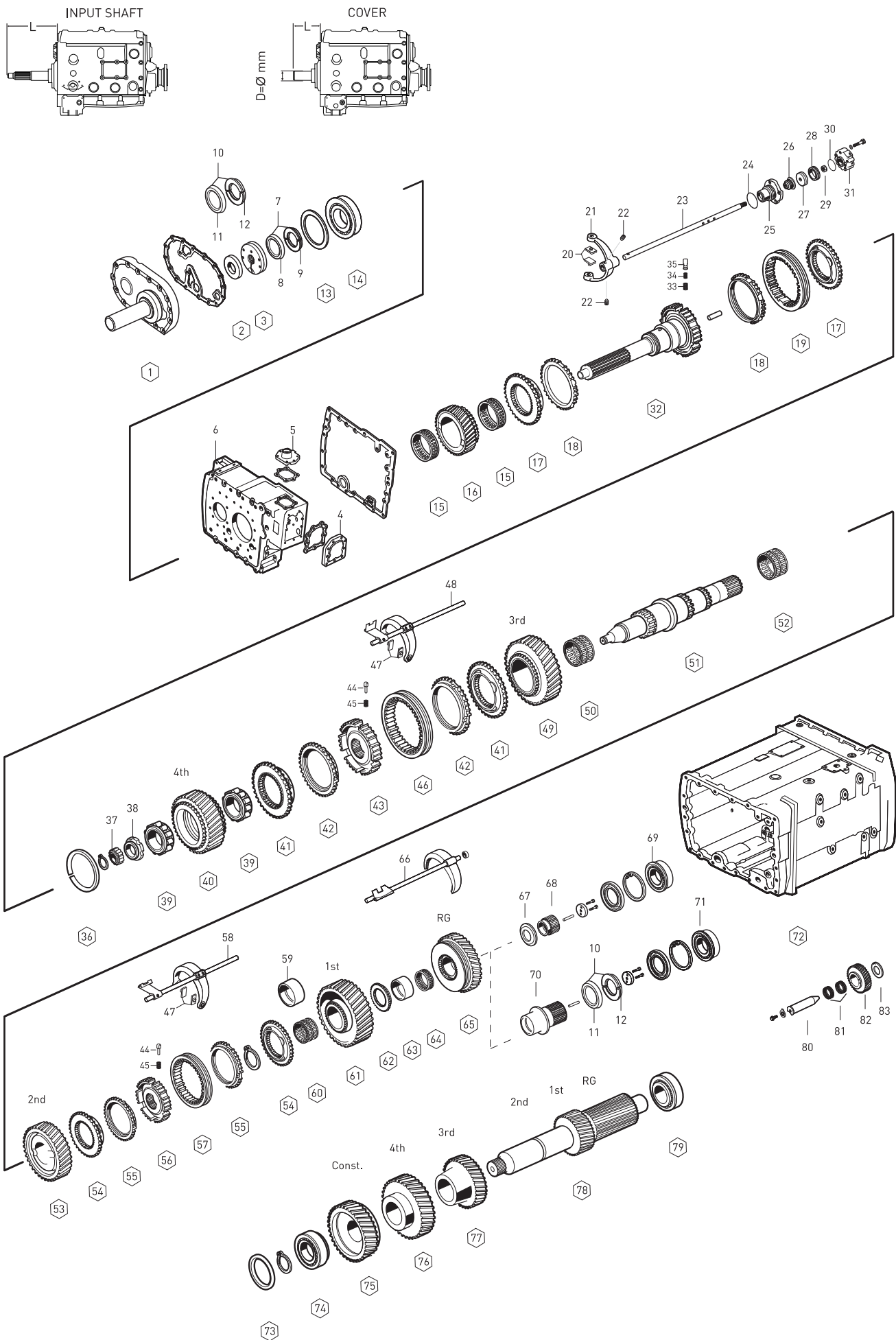


Fig.	Oem No	Oem Old No	Pcs	Description	Sizes	Notes	SG 11.46-0.85	DG 13.68-1.00	SG 14.29-0.82	DG 17.06-1.00
49	1297 304 261	(1297 304 020)	1	GEAR 3rd 34 T		A		◆		
49	1297 304 414	(1297 304 122)	1	GEAR 3rd 34 T		A				◆
50	0735 320 451		1	NEEDLE CAGE	82X90X60mm		◆	◆	◆	◆
51	1297 304 181		1	MAIN SHAFT		AB	◆	◆		
51	1297 304 193		1	MAIN SHAFT		AB			◆	◆
52	0735 320 452		1	NEEDLE CAGE	82X90X55mm		◆	◆	◆	◆
53	1297 304 269	(1297 304 016)	1	GEAR 2nd 37 T		AB	◆		◆	
53	1297 304 442	(1297 304 017)	1	GEAR 2nd 38 T		A		◆		◆
54	1297 304 371		2	ENGAGING RING			◆	◆	◆	◆
55	1297 304 485	(1297 304 401)	2	SYNCHRONIZING CONE			◆	◆	◆	◆
56	1297 304 445		1	GUIDE SLEEVE			◆	◆	◆	◆
57	1297 304 450	(1297 304 415)	1	ENGAGING SLEEVE			◆	◆	◆	◆
58	1297 206 106	(1297 206 058)	1	GEAR SHIT FORK 1st/2nd			◆	◆	◆	◆
59	1297 304 035		1	BEARING RACE			◆	◆	◆	◆
60	0735 320 487		1	NEEDLE CAGE	82X90X68mm		◆	◆	◆	◆
61	1297 304 270	(1297 304 153)	1	GEAR 1st 44 T		AB	◆		◆	
61	1297 304 441	(1297 304 152)	1	GEAR 1st 47 T		A		◆		◆
62	1297 304 154		1	GUIDE SLEEVE			◆	◆	◆	◆
63	1297 304 034		1	BEARING RACE			◆	◆		
64	0735 320 486		1	NEEDLE CAGE	78X86X44mm		◆	◆	◆	◆
65	1297 304 149		1	REVERSE GEAR 39 T		AB	◆		◆	
65	1297 304 148		1	REVERSE GEAR 38 T		A		◆		◆
66	1297 206 174	(1297 206 162)	1	GEAR SHIT FORK/RG			◆	◆	◆	◆
67	1297 304 381	(1297 304 176)	1	THRUST WASHER			◆	◆		
68	1297 304 187		1	SUN GEAR 27 T			◆	◆		
69	0750 118 135	(0750 118 006)	1	ROLLER BEARING	65X140X33mm		◆	◆		
70	1297 304 439	(1297 304 192)	1	SUN GEAR 24 T					◆	◆
71	0750 118 180		1	ROLLER BEARING	80X140X33mm				◆	◆
72	1297 301 146	(1297 301 105)	1	HOUSING			◆	◆	◆	◆
		(1297 301 148)								
		(1297 301 106)								
73	0730 102 099		1	SHIM	3.00mm		◆	◆	◆	◆
73	0730 102 060		1	SHIM	2.60mm		◆	◆	◆	◆
73	0730 102 068		1	SHIM	2.20mm		◆	◆	◆	◆
73	0730 102 075		1	SHIM	1.85mm		◆	◆	◆	◆
73	2001652		1	SHIM	0.30mm		◆	◆	◆	◆
73	2001653		1	SHIM	0.20mm		◆	◆	◆	◆
73	2001654		1	SHIM	0.10mm		◆	◆	◆	◆
74	0750 117 010		1	ROLLER BEARING	50.8X100X35mm		◆	◆	◆	◆
72	1297 303 074	(1297 303 040)	1	CONSTANT GEAR 31 T		AB	◆			
75	1297 303 066	(1297 303 039)	1	CONSTANT GEAR 34 T		A		◆		

NOTES \_\_\_\_\_:

AB alfabetic letters are used in conjunction with the encoded parts.  
 Alphabetical Coding has been done according to Input Shaft

16 S 160/1

# GEARBOX 16S160/1

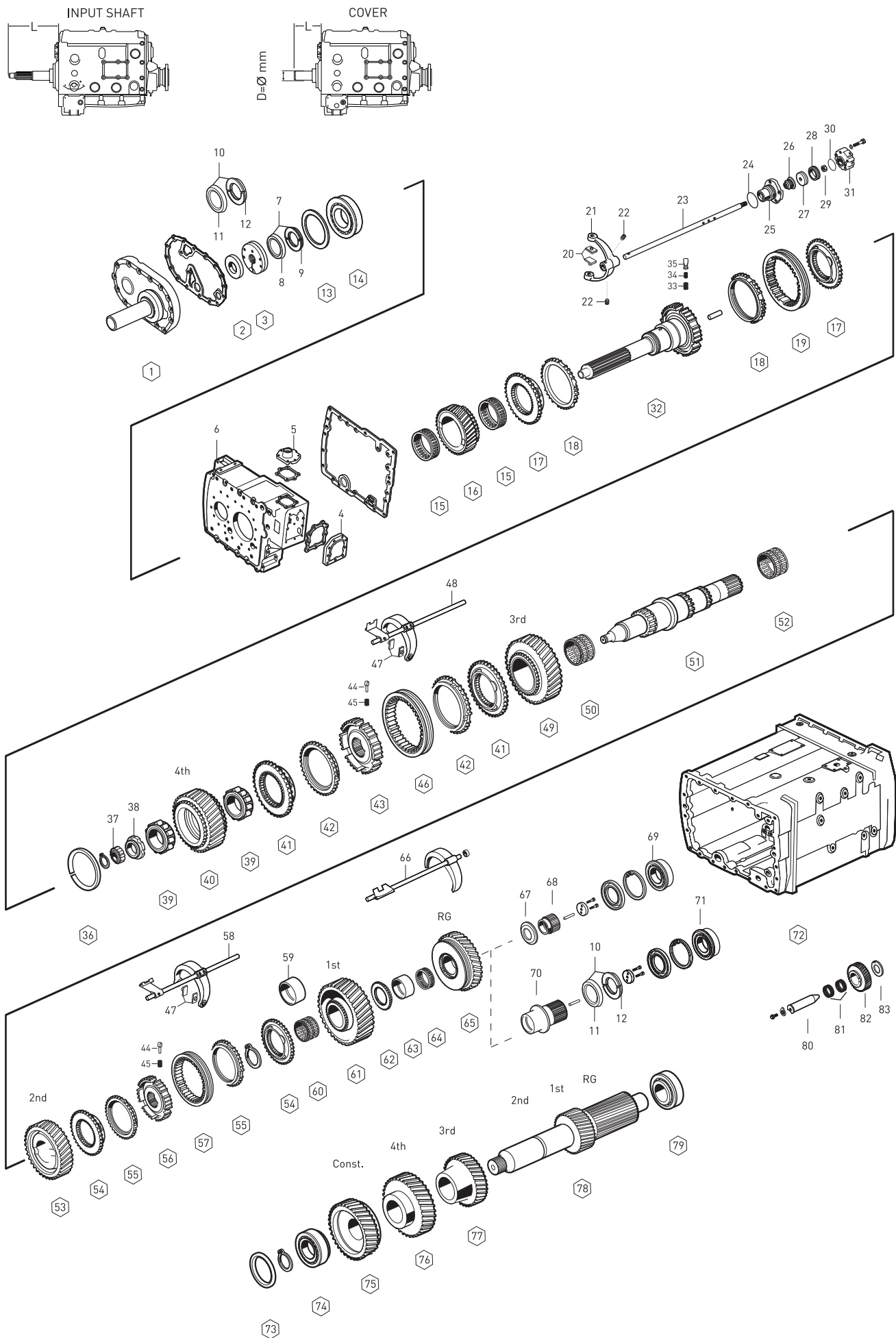


Fig.	Oem No	Oem Old No	Pcs	Description	Sizes	Notes	SG 11.46-0.85	DG 13.68-1.00	SG 14.29-0.82	DG 17.06-1.00
75	1297 303 098	(1297 303 051)	1	CONSTANT GEAR 32 T		AB			◆	
75	1297 303 086	(1297 303 043)	1	CONSTANT GEAR 35 T		A				◆
76	1297 303 072	(1297 303 025)	1	GEAR 4th 34 T		AB	◆			
76	1297 303 065	(1297 303 026)	1	GEAR 4th 31 T		A		◆		
76	1297 303 097	(1297 303 050)	1	GEAR 4th 35 T		AB			◆	
76	1297 303 123	(1297 303 041)	1	GEAR 4th 32 T		A				◆
77	1297 303 073	(1297 303 010)	1	GEAR 3rd 28 T		AB	◆		◆	
77	1297 303 067	(1297 303 009)	1	GEAR 3rd 25 T		A		◆		
77	1297 303 132	(1297 303 042)	1	GEAR 3rd 26 T		A				◆
78	1297 303 075	(1297 303 054)	1	COUNTER SHAFT 19-23 T		AB	◆		◆	
78	1297 303 140	(1297 303 064)	1	COUNTER SHAFT 17-20 T		A		◆		◆
79	0750 117 009		1	ROLLER BEARING	49.2X103.1X43.6mm		◆	◆	◆	◆
80	1295 305 056	(1295 305 008)	1	PIN			◆	◆	◆	◆
		(1295 305 057)								
81	0750 115 011	(0735 320 042)	2	NEEDLE CAGE	40.0X60.0X26.0mm		◆	◆	◆	◆
82	1295 305 052		1	REV.IDLER GEAR				◆		◆
82	1295 305 051		1	REV.IDLER GEAR			◆		◆	
83	0730 150 064		1	THRUST WASHER			◆	◆	◆	◆

16 S 160/1

NOTES \_\_\_\_\_:  
 AB alfabetic letters are used in conjunction with the encoded parts.  
 Alphabetical Coding has been done according to Input Shaft



# GEARBOX 16S160/1

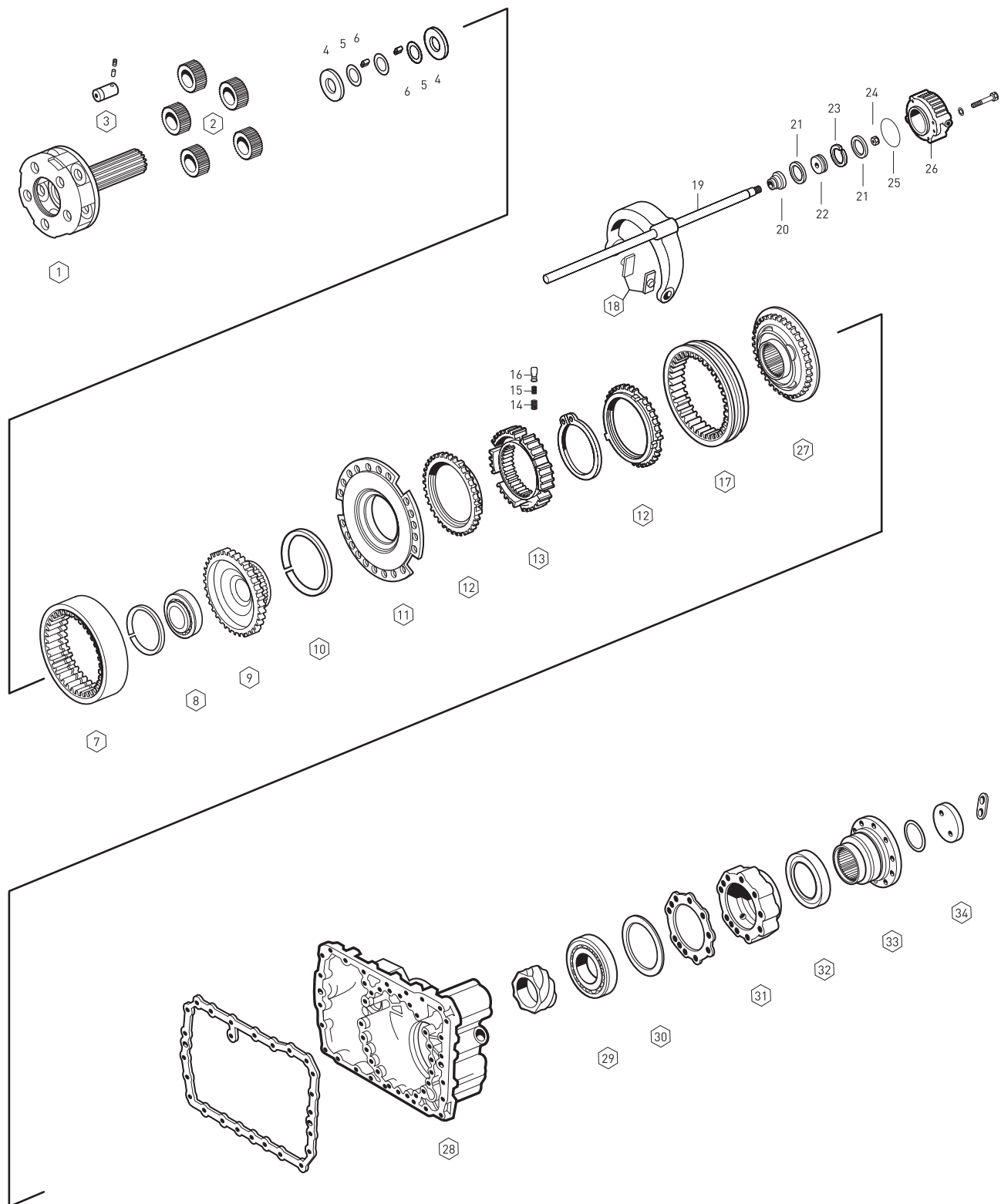




Fig.	Oem No	Oem Old No	Pcs.	Description	Sizes	Notes	SG 11.46-0.85	DG 13.68-1.00	SG 14.29-0.82	DG 17.06-1.00
1	1297 232 039	(1297 232 027)	1	PLANETARY CARRIER		A	◆	◆		
1	1297 232 045	(1297 232 026)	1	PLANETARY CARRIER		B			◆	◆
2	1297 232 023	(1297 332 022)	5	PLANETARY GEAR SET		A	◆	◆		
2	1297 232 024	(1297 332 028)	5	PLANETARY GEAR SET		B			◆	◆
3	1297 332 109	(1297 332 005)	5	PLANET SHAFT			◆	◆	◆	◆
4	0501 306 212		10	THRUST WASHER			◆	◆	◆	◆
5	0730 103 846		15	THRUST WASHER			◆	◆	◆	◆
6	0750 119 109		120	NEEDLE ROLLER	10X16.8mm		◆	◆	◆	◆
7	1297 332 080	(1297 332 036)	1	RING WHEEL		A	◆	◆		
7	1295 332 086		1	RING WHEEL 86 T		B			◆	◆
8	0750 116 165	(0635 338 049)	1	ROLLER BEARING	80X110X16mm		◆	◆	◆	◆
9	1297 332 017		1	CARRIER HUB		A	◆	◆		
9	1297 332 035		1	CARRIER HUB 86 T		B			◆	◆
10	0730 505 056	(0730 505 055)	1	SPRING RING	3.20mm		◆	◆	◆	◆
11	1296 233 006		1	FLANGE			◆	◆	◆	◆
12	1296 333 045	(1296 333 022)	2	SYNCHRONIZING CONE			◆	◆	◆	◆
13	1296 333 002		1	GUIDE SLEEVE			◆	◆	◆	◆
14	0732 040 385		9	SPRING			◆	◆	◆	◆
15	0732 040 386		9	SPRING			◆	◆	◆	◆
16	1240 304 278		9	PRESSURE PIECE			◆	◆	◆	◆
17	1296 333 023		1	ENGAGING SLEEVE			◆	◆	◆	◆
18	1296 334 004		2	SLIDING PAD			◆	◆	◆	◆
19	1312 234 002		1	GEAR SHIFT FORK			◆	◆	◆	◆
20	0750 112 034		1	FLANGE PACKING	25.0X38.0X14.2mm		◆	◆	◆	◆
21	0734 317 150	(0750 112 019)	2	SEALING RING	80.0X90.0X4.8mm		◆	◆	◆	◆
22	1296 334 039		1	PISTON			◆	◆	◆	◆
23	0750 112 066		1	GUIDE RING			◆	◆	◆	◆
24	0737 006 095		1	NUT	M16X1.5mm		◆	◆	◆	◆
25	0634 314 019		1	O-RING	94.0X3.0mm		◆	◆	◆	◆
26	1295 334 075		1	CYLINDER			◆	◆	◆	◆
27	1313 233 001	(1297 233 018)	1	ENGAGING RING	38spl.		◆	◆	◆	◆
28	1296 301 133		1	HOUSING			◆	◆	◆	◆
29	0750 116 002		1	ROLLER BEARING	90X160X30mm		◆	◆	◆	◆
30	0730 100 115		1	SHIM	0.30mm		◆	◆	◆	◆
30	0730 100 116		1	SHIM	0.20mm		◆	◆	◆	◆
30	2001660		1	SHIM	0.10mm		◆	◆	◆	◆
31	1295 231 001		1	BEARING COVER			◆	◆	◆	◆
32	0750 111 341		1	OIL SEAL	105.0X130.0X12mm		◆	◆	◆	◆
33	1297 338 041		1	COMPANION FLANGE	4-H,Ø180mm		◆	◆	◆	◆
33	1297 338 038		1	COMPANION FLANGE	10-H,Ø180mm		◆	◆	◆	◆
34	1295 332 051		1	WASHER			◆	◆	◆	◆

NOTES :

A : Alphabetical letters used in conjunction with these products are classified.  
B : Alphabetical letters used in conjunction with these products are classified.

16 S 160/1

# GEARBOX 16S160/1

## SYNCHRONIZER KIT CONST.

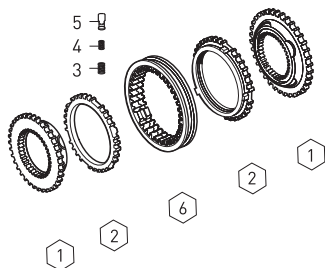


Fig.	. Oem No	Oem Old No	Pcs	Description
	<b>1295 298 936</b>		Kit	SYNCHRONIZER KIT Const
1	<b>1295 304 278</b>		2	ENGAGING RING
2	<b>1304 304 686</b>	<b>(1295 304 004)</b>	2	SYNCHRONIZING CONE
3	<b>0732 040 385</b>		3	SPRING
4	<b>0732 040 386</b>		3	SPRING
5	<b>1240 304 278</b>		3	PRESSURE PIECE
6	<b>1295 304 002</b>		1	ENGAGING SLEEVE

## SYNCHRONIZER KIT 3rd/4th

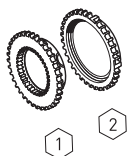


Fig.	. Oem No	Oem Old No	Pcs	Description
	<b>1297 204 071</b>		Kit	SYNCH.KIT 3rd/4th
1	<b>1297 304 369</b>		1	ENGAGING RING
2	<b>1297 304 484</b>	<b>(1297 304 402)</b>	1	SYNCHRONIZING CONE

## SYNCHRONIZER KIT 3rd/4th

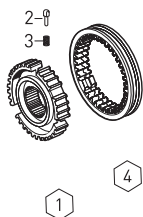


Fig.	. Oem No	Oem Old No	Pcs	Description
	<b>1297 204 069</b>		Kit	SYNCH.KIT 3rd/4th
1	<b>1297 304 446</b>		1	GUIDE SLEEVE
2	<b>1297 304 436</b>		3	PRESSURE PIECE
3	<b>0732 040 409</b>		3	SPRING
4	<b>1310 304 202</b>	<b>(1312 302 057)</b>	1	ENGAGING SLEEVE
		<b>(1310 304 174)</b>		

## SYNCHRONIZER KIT 3rd/4th

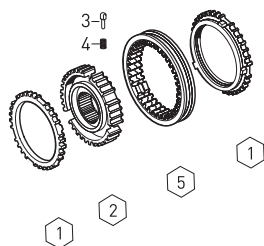


Fig.	. Oem No	Oem Old No	Pcs	Description
	<b>1297 204 054</b>		Kit	SYNCH.KIT 3rd/4th
1	<b>1297 304 484</b>	<b>(1297 304 402)</b>	2	SYNCH.CONE
2	<b>1297 304 446</b>		1	GUIDE SLEEVE
3	<b>1297 304 436</b>		3	PRESSURE PIECE
4	<b>0732 040 409</b>		3	SPRING
5	<b>1310 304 202</b>	<b>(1312 302 057)</b>	1	ENGAGING SLEEVE
		<b>(1310 304 174)</b>		

## SYNCHRONIZER KIT 3rd/4th

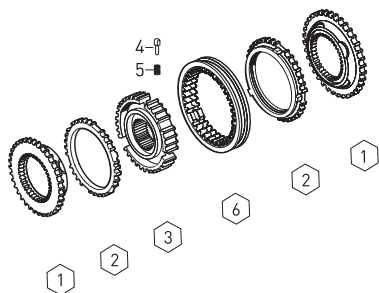


Fig.	. Oem No	Oem Old No	Pcs	Description
	<b>1297 298 959</b>		Kit	SYNCH.KIT 3rd/4th
1	<b>1297 304 369</b>		2	ENGAGING RING
2	<b>1297 304 484</b>	<b>(1297 304 402)</b>	2	SYNCH.CONE
3	<b>1297 304 446</b>		1	GUIDE SLEEVE
4	<b>1297 304 436</b>		3	PRESSURE PIECE
5	<b>0732 040 409</b>		3	SPRING
6	<b>1310 304 202</b>	<b>(1312 302 057)</b>	1	ENGAGING SLEEVE
		<b>(1310 304 174)</b>		

Fig.	o. Oem No	Oem Old No	Pcs	Description
	<b>1297 204 070</b>		Kit	SYNCH.KIT 1st/2nd
1	<b>1297 304 371</b>		1	ENGAGING RING
2	<b>1297 304 485</b>	<b>(1297 304 401)</b>	1	SYNCHRONIZING CONE

SYNCHRONIZER KIT 1st/2nd

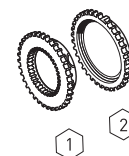


Fig.	o. Oem No	Oem Old No	Pcs	Description
	<b>1297 204 067</b>		Kit	SYNCH.KIT 1st/2nd
1	<b>1297 304 445</b>		1	GUIDE SLEEVE
2	<b>1297 304 436</b>		3	PRESSURE PIECE
3	<b>0732 040 409</b>		3	SPRING
4	<b>1297 304 450</b>	<b>(1297 304 415)</b>	1	ENGAGING SLEEVE

SYNCHRONIZER KIT 1st/2nd

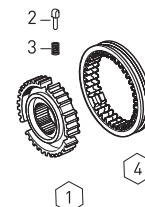


Fig.	o. Oem No	Oem Old No	Pcs	Description
	<b>1297 204 053</b>		Kit	SYNCH.KIT 1st/2nd
1	<b>1297 304 485</b>	<b>(1297 304 401)</b>	2	SYNCH.CONE
2	<b>1297 304 445</b>		1	GUIDE SLEEVE
3	<b>1297 304 436</b>		3	PRESSURE PIECE
4	<b>0732 040 409</b>		3	SPRING
5	<b>1297 304 450</b>	<b>(1297 304 415)</b>	1	ENGAGING SLEEVE

SYNCHRONIZER KIT 1st/2nd

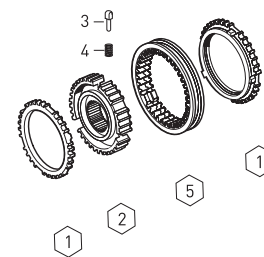


Fig.	o. Oem No	Oem Old No	Pcs	Description
	<b>1297 298 957</b>		Kit	SYNCH.KIT 1st/2nd
1	<b>1297 304 371</b>		2	ENGAGING RING
2	<b>1297 304 485</b>	<b>(1297 304 401)</b>	2	SYNCH.CONE
3	<b>1297 304 445</b>		1	GUIDE SLEEVE
4	<b>1297 304 436</b>		3	PRESSURE PIECE
5	<b>0732 040 409</b>		3	SPRING
6	<b>1297 304 450</b>	<b>(1297 304 415)</b>	1	ENGAGING SLEEVE

SYNCHRONIZER KIT 1st/2nd

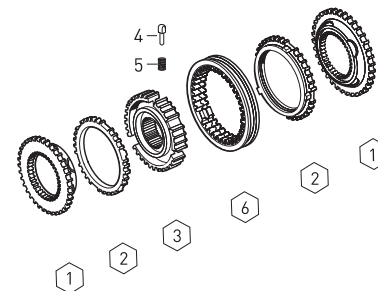
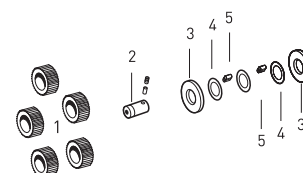


Fig.	o. Oem No	Oem Old No	Pcs	Description
	<b>1297 298 912</b>		Kit	PLANETARY GEAR KIT
1	<b>1297 232 023</b>	<b>(1297 332 022)</b>	5	PLANETARY GEAR
2	<b>1297 332 109</b>	<b>(1297 332 005)</b>	5	PLANETARY SHAFT
3	<b>0501 306 212</b>		10	THRUST WASHER
4	<b>0730 103 846</b>		15	THRUST WASHER
5	<b>0750 119 109</b>		120	NEEDLE ROLLER (10X16,8)

PLANETARY GEAR KIT



# GEARBOX 16S160/1

## PLANETARY GEAR KIT

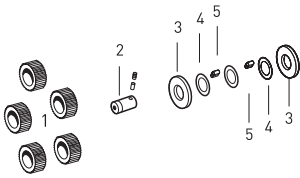


Fig.	Oem No	Oem Old No	Pcs	Description
	<b>1297 298 919</b>		Kit	PLANETARY GEAR KIT
1	<b>1297 232 024</b>	<b>(1297 332 028)</b>	5	PLANETARY GEAR
2	<b>1297 332 109</b>	<b>(1297 332 005)</b>	5	PLANETARY SHAFT
3	<b>0501 306 212</b>		10	THRUST WASHER
4	<b>0730 103 846</b>		15	THRUST WASHER
5	<b>0750 119 109</b>		120	NEEDLE ROLLER (10X16.8)

## SYNCHRONIZER KIT PLANETARY

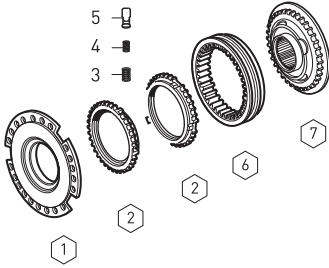


Fig.	Oem No	Oem Old No	Pcs	Description
	<b>1295 298 939</b>		Kit	SYNCHRONIZER KIT
1	<b>1296 233 006</b>		1	FLANGE
2	<b>1296 333 045</b>	<b>(1296 333 022)</b>	2	SYNCHRONIZING CONE
3	<b>0732 040 385</b>		9	SPRING
4	<b>0732 040 386</b>		9	SPRING
5	<b>1240 304 278</b>		9	PRESSURE PIECE
6	<b>1296 333 023</b>		1	ENGAGING SLEEVE
7	<b>1313 233 001</b>	<b>(1297 233 018)</b>	1	ENGAGING RING

## SYNCHRONIZER KIT PLANETARY

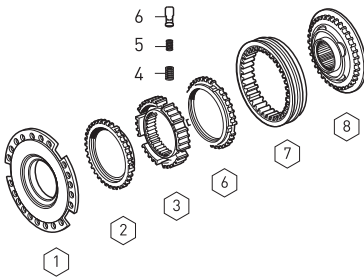


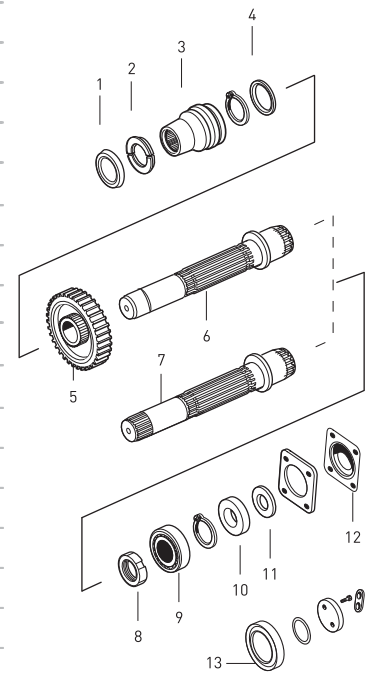
Fig.	Oem No	Oem Old No	Pcs.	Description
	<b>1295 298 950</b>		Kit	SYNCHRONIZER KIT
1	<b>1296 233 006</b>		1	FLANGE
2	<b>1296 333 045</b>	<b>(1296 333 022)</b>	2	SYNCHRONIZING CONE
3	<b>1296 333 002</b>		1	GUIDE SLEEVE
4	<b>0732 040 385</b>		9	SPRING
5	<b>0732 040 386</b>		9	SPRING
6	<b>1240 304 278</b>		9	PRESSURE PIECE
7	<b>1296 333 023</b>		1	ENGAGING SLEEVE
8	<b>1313 233 001</b>	<b>(1297 233 018)</b>	1	ENGAGING RING

## GEARBOX GASKET KIT

Fig.	Oem No	Oem Old No	Pcs.	Description
1	<b>K20.01584</b> <b>1295 298 915</b>		Kit	GASKET KIT
2	<b>1313 301 038</b>		1	GASKET
3	<b>1313 302 014</b>		1	GASKET
4	<b>1313 306 012</b>		1	GASKET
5	<b>1313 307 002</b>		1	GASKET
5	<b>1313 307 020</b>		2	GASKET
5	<b>1313 307 003</b>		1	GASKET
5	<b>1313 307 004</b>		1	GASKET
5	<b>1313 307 022</b>		1	GASKET
6	<b>1313 301 037</b>		1	GASKET
7	<b>1313 301 036</b>		1	GASKET
8	<b>1238 308 201</b>		1	GASKET
9	<b>1313 307 005</b>		1	GASKET
10	<b>1313 307 006</b>		1	GASKET

Fig.	Oem No	Oem Old No	Pcs	Description																																																						
1	1296 313 131		1	RETAINING RING																																																						
2	0730 104 627		1	SPLIT RING																																																						
3	1296 313 238		1	SLIDING SLEEVE																																																						
4	0730 104 628		1	THRUST WASHER																																																						
5	1296 313 082		1	GEAR 33 T																																																						
5	1296 313 083		1	GEAR 36 T																																																						
5	1296 313 084		1	GEAR 38 T																																																						
5	1296 313 085		1 <td GEAR 39 T	5	1296 313 086		1	GEAR 46 T	6	1296 213 028		1	INTERM.SHAFT	7	1296 213 028		1	INTERM.SHAFT (Milled)	8	1296 313 125		1	NUT	9	0735 410 139		1	ROLLER BEARING	10	7429 032 102		1	THRUST WASHER	11	1232 304 062		1	SHIM (1.00mm)	11	1232 304 063		1	SHIM (0.90mm)	11	1232 304 072		1	SHIM (0.70mm)	12	1250 313 190		1	COVER	13	0750 111 341		1	OIL SEAL
5	1296 313 086		1	GEAR 46 T																																																						
6	1296 213 028		1	INTERM.SHAFT																																																						
7	1296 213 028		1	INTERM.SHAFT (Milled)																																																						
8	1296 313 125		1	NUT																																																						
9	0735 410 139		1	ROLLER BEARING																																																						
10	7429 032 102		1	THRUST WASHER																																																						
11	1232 304 062		1	SHIM (1.00mm)																																																						
11	1232 304 063		1	SHIM (0.90mm)																																																						
11	1232 304 072		1	SHIM (0.70mm)																																																						
12	1250 313 190		1	COVER																																																						
13	0750 111 341		1	OIL SEAL																																																						

P.T.O. (POWERTAKEOFF)



# GEARBOX 16S190

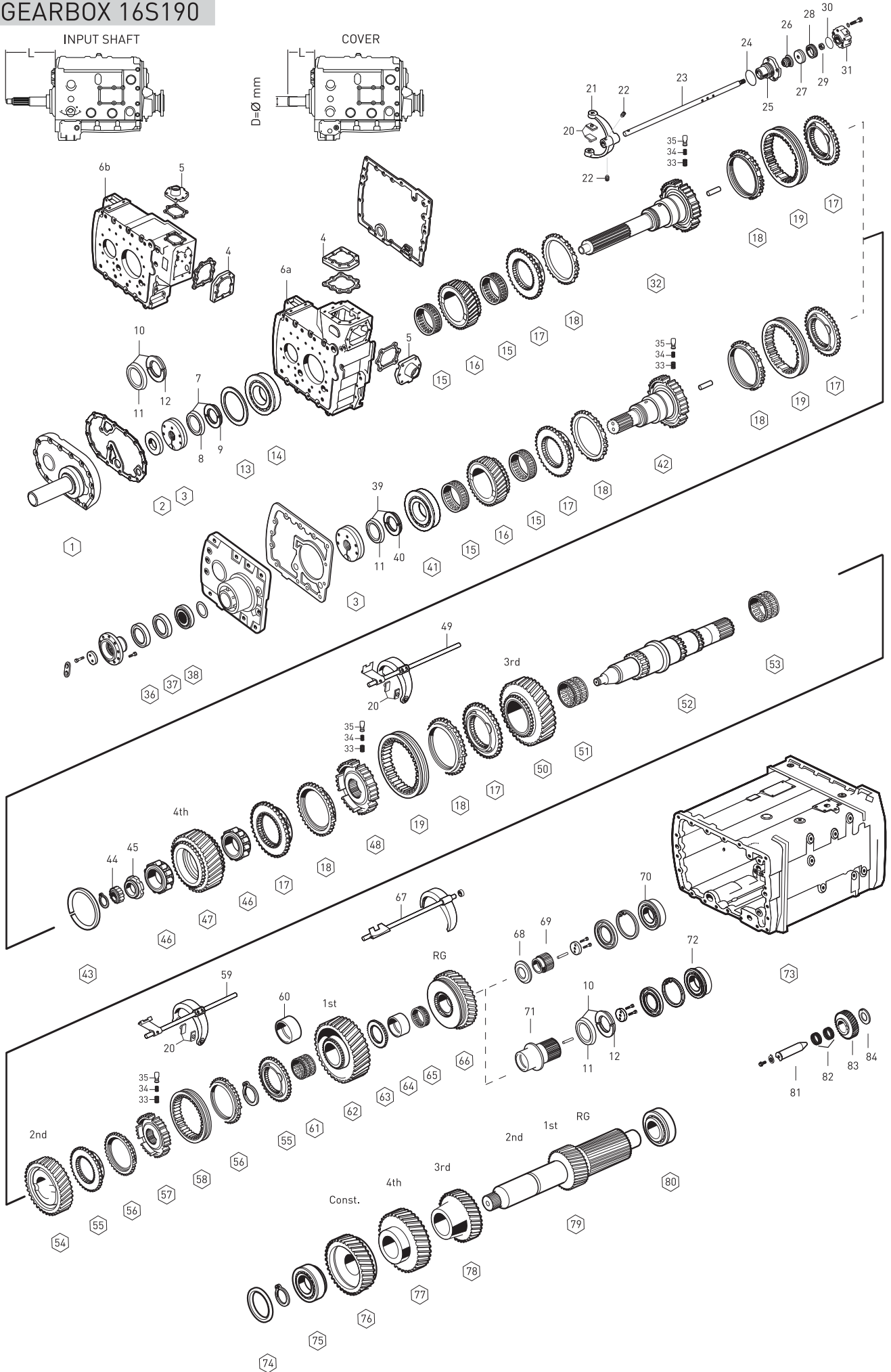


Fig.	Oem No	Oem Old No	Pcs	Description	Sizes	Notes	SG 11.46-0.85	DG 13.68-1.00	SG 14.29-0.82	DG 17.06-1.00
1	1297 302 239		1	COVER	L=147 D=60	A	◆	◆		
1	1297 302 042		1	COVER	L=170 D=60	BD	◆	◆	◆	◆
2	0734 310 387		1	OIL SEAL	55X75X8mm		◆	◆	◆	◆
3	1295 202 041		1	OIL PUMP			◆	◆	◆	◆
4	1295 307 479		1	COVER			◆	◆	◆	◆
5	1295 307 434		1	COVER			◆	◆	◆	◆
6a	1295 301 289	(1295 301 131)	1	HOUSING		A		◆		
6a	1295 301 293	(1295 301 134)	1	HOUSING		AB	◆			
6b	1296 301 200		1	HOUSING		D	◆		◆	
6b	1296 301 205		1	HOUSING		BD			◆	◆
6b	1296 301 207		1	HOUSING		C	◆	◆		
6b	1296 301 208		1	HOUSING		C			◆	
6b	1296 301 213		1	HOUSING		D		◆		
7	1499 298 003		1	SIPLIT RING KIT	4.00mm	(1)	◆	◆	◆	◆
7	1499 298 002		1	SIPLIT RING KIT	3.90mm	(2)	◆	◆	◆	◆
7	1499 298 001		1	SIPLIT RING KIT	3.80mm	(3)	◆	◆	◆	◆
8	0730 062 579		1	RETAINING RING			◆	◆	◆	◆
9	0730 105 156		2	SIPLIT RING	4.00mm		◆	◆	◆	◆
9	0730 105 155		2	SIPLIT RING	3.90mm		◆	◆	◆	◆
9	0730 105 154		2	SIPLIT RING	3.80mm		◆	◆	◆	◆
10	1499 298 090		1	SIPLIT RING KIT	4.30mm	(4)	◆	◆	◆	◆
10	1499 298 114		1	SIPLIT RING KIT	4.20mm	(5)	◆	◆	◆	◆
10	1499 298 100		1	SIPLIT RING KIT	4.10mm	(6)	◆	◆	◆	◆
10	1499 298 098		2	SIPLIT RING KIT	4.00mm	(7)	◆	◆	◆	◆
10	1499 298 096		2	SIPLIT RING KIT	3.90mm	(8)	◆	◆	◆	◆
10	1499 298 094		2	SIPLIT RING KIT	3.80mm	(9)	◆	◆	◆	◆
11	0730 061 816		2	RETAINING RING			◆	◆	◆	◆
12	0730 103 244		2	SIPLIT RING	4.30mm		◆	◆	◆	◆
12	0730 104 337		2	SIPLIT RING	4.20mm		◆	◆	◆	◆
12	0730 103 941		2	SIPLIT RING	4.10mm		◆	◆	◆	◆
12	0730 103 939		4	SIPLIT RING	4.00mm		◆	◆	◆	◆
12	0730 103 937		4	SIPLIT RING	3.90mm		◆	◆	◆	◆
12	0730 103 935		4	SIPLIT RING	3.80mm		◆	◆	◆	◆
13	0730 102 504		1	SHIM	0.60mm		◆	◆	◆	◆
13	2001645		1	SHIM	0.30mm		◆	◆	◆	◆
13	2001646		1	SHIM	0.20mm		◆	◆	◆	◆
13	2001647		1	SHIM	0.10mm		◆	◆	◆	◆
14	0750 118 130	(0750 118 131)	1	ROLLER BEARING	80X150X27.5mm		◆	◆	◆	◆
15	0735 320 896		2	NEEDLE CAGE	88X96X29mm		◆	◆	◆	◆
16	1297 302 177	(1297 302 070)	1	CONSTANT GEAR 30 T		CDE	◆			
16	1297 302 176	(1297 302 071)	1	CONSTANT GEAR 28 T		AD		◆		

NOTES :

ABCDE alphabetic letters are used in conjunction with the encoded parts.

Alphabetical Coding has been done according to Input Shaft

- (1) This kit includes (1499 298 003) = 2pcs 0730 105 156 + 1pcs 0730 062 579
- (2) This kit includes (1499 298 002) = 2pcs 0730 105 155 + 1pcs 0730 062 579
- (3) This kit includes (1499 298 001) = 2pcs 0730 105 154 + 1pcs 0730 062 579
- (4) This kit includes (1499 298 090) = 2pcs 0730 103 244 + 1pcs 0730 061 816
- (5) This kit includes (1499 298 114) = 2pcs 0730 104 337 + 1pcs 0730 061 816
- (6) This kit includes (1499 298 100) = 2pcs 0730 103 941 + 1pcs 0730 061 816
- (7) This kit includes (1499 298 098) = 2pcs 0730 103 939 + 1pcs 0730 061 816
- (8) This kit includes (1499 298 096) = 2pcs 0730 103 937 + 1pcs 0730 061 816
- (9) This kit includes (1499 298 094) = 2pcs 0730 103 935 + 1pcs 0730 061 816

16 S 190



# GEARBOX 16S190

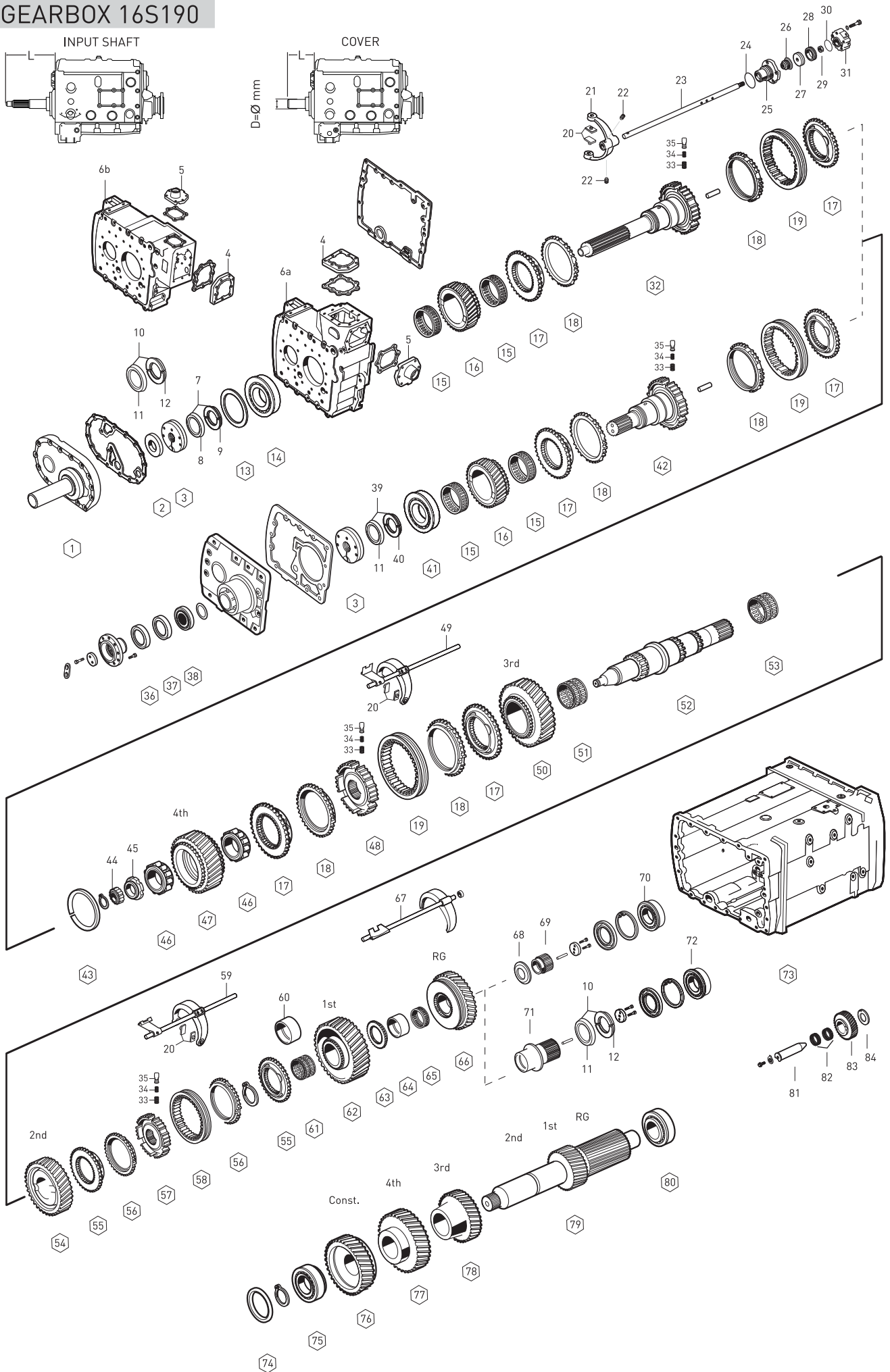


Fig.	Oem No	Oem Old No	Pcs	Description	Sizes	Notes	SG 11.46-0.85	DG 13.68-1.00	SG 14.29-0.82	DG 17.06-1.00
16	1297 302 250	(1297 302 111)	1	CONSTANT GEAR 29 T		ABDE			◆	
16	1297 302 241	(1297 302 079)	1	CONSTANT GEAR 26 T		DE				◆
17a	1295 304 278		4	ENGAGING RING			◆	◆	◆	◆
17b	1297 304 041		4	ENGAGING RING			◆	◆	◆	◆
18	1304 304 686	(1295 304 004)	4	SYNCHRONIZING CONE			◆	◆	◆	◆
19	1295 304 002		2	ENGAGING SLEEVE			◆	◆	◆	◆
20	1295 306 132		6	SLIDING PAD			◆	◆	◆	◆
21	1313 312 002		1	G.SHIFT FORK			◆	◆	◆	◆
22	1315 312 047		2	SCREW	M12X1.0mm		◆	◆	◆	◆
23	1297 312 008		1	G.SHIFT RAIL			◆	◆	◆	◆
24	0634 313 671		1	O-RING	80.0X3.0mm		◆	◆	◆	◆
25	1296 312 042	(1296 312 016)	1	CYLINDER			◆	◆	◆	◆
26	0750 112 034		1	FLANGE PACKING	25.0X38.0X14.2mm		◆	◆	◆	◆
27	1296 312 053	(1296 312 047)	1	PISTON			◆	◆	◆	◆
28	0750 112 089		1	DOUBLE PACKING	53.0X63.0X16.2mm		◆	◆	◆	◆
29	0737 006 095		1	NUT	M16X1.5mm		◆	◆	◆	◆
30	0634 314 018		1	O-RING	59.0X2.0mm		◆	◆	◆	◆
31	0750 132 033		1	5/2 WAY VALVE			◆	◆	◆	◆
32	1297 202 011		1	INPUT SHAFT	L=286 SAE 2	A	◆	◆		
32	1297 202 045		1	INPUT SHAFT	L=295 SAE 2	B	◆		◆	
32	1297 202 061	(1297 221 002)	1	INPUT SHAFT	L=232	C	◆	◆		
32	1297 202 053	(1297 302 231)	1	INPUT SHAFT	L=320 SAE 2	D	◆	◆	◆	◆
33	0732 040 385		9	SPRING			◆	◆	◆	◆
34	0732 040 386		9	SPRING			◆	◆	◆	◆
35	1240 304 278		9	PRESSURE PIECE			◆	◆	◆	◆
36	0734 300 140		1	OIL SEAL	70X90X10mm	E	◆			◆
37	0634 310 648		1	OIL SEAL	70X90X10mm	E	◆			◆
38	0750 117 651		1	ROLLER BEARING	50X90X24.7mm	E	◆			◆
39	1499 298 129		1	SIPLIT RING KIT		E (10)	◆			◆
39	1499 298 127		1	SIPLIT RING KIT		E (11)	◆			◆
39	1499 298 125		1	SIPLIT RING KIT		E (12)	◆			◆
40	0730 106 162		2	SIPLIT RING	(4.00mm)	E	◆			◆
40	0730 106 160		2	SIPLIT RING	(3.90mm)	E	◆			◆
40	0730 106 158		2	SIPLIT RING	(3.80mm)	E	◆			◆
41	0750 117 431		1	ROLLER BEARING	75X150X30.5mm	E	◆			◆
42	1297 202 044		1	INPUT SHAFT [Short Type]		E	◆			◆
43	0730 003 518		1	RING	6.30mm		◆	◆	◆	◆
43	0730 003 517		1	RING	6.00mm		◆	◆	◆	◆
43	0730 003 161		1	RING	5.10mm		◆	◆	◆	◆
43	0730 003 159		1	RING	4.50mm		◆	◆	◆	◆
43	0730 004 237		1	RING	4.00mm		◆	◆	◆	◆

NOTES :

ABCDE alphabetic letters are used in conjunction with the encoded parts.  
Alphabetical Coding has been done according to Input Shaft

[12] This kit includes [1499 298 129] = 2pcs 0730 106 162 + 1pcs 0730 061 816

[13] This kit includes [1499 298 127] = 2pcs 0730 106 160 + 1pcs 0730 061 816

[14] This kit includes [1499 298 125] = 2pcs 0730 106 158 + 1pcs 0730 061 816

16 S 190

# GEARBOX 16S190

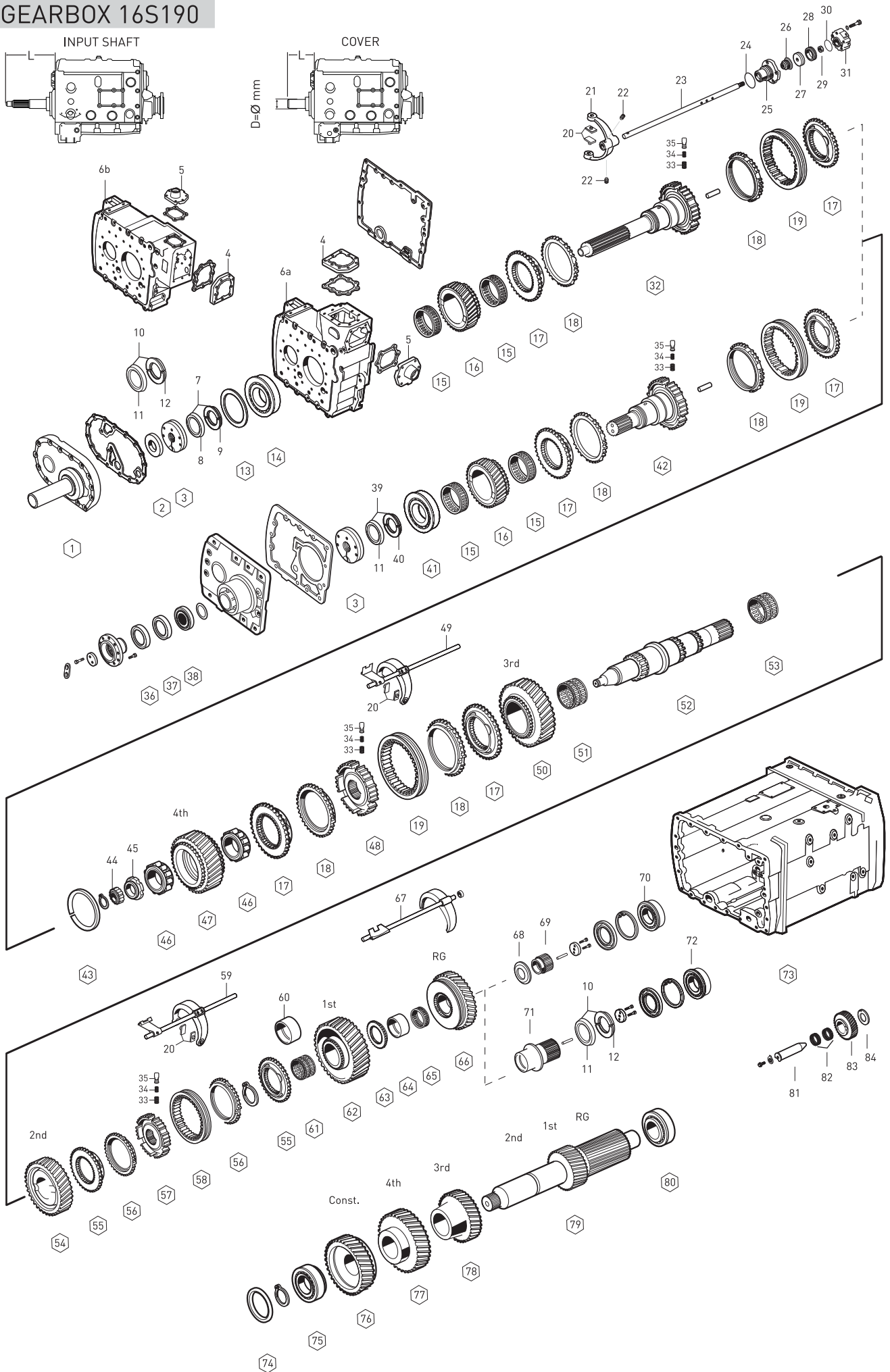


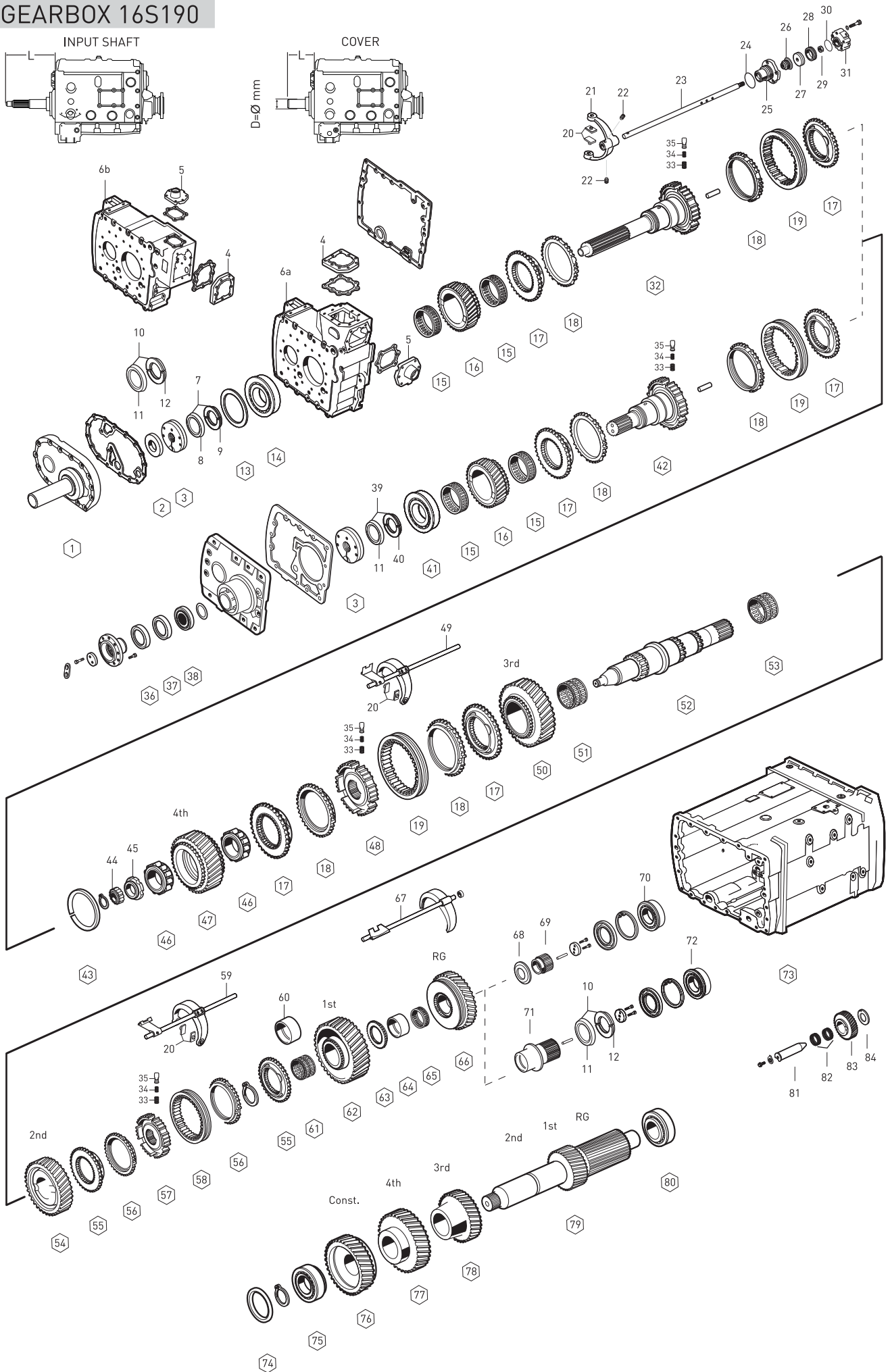
Fig.	Oem No	Oem Old No	Pcs	Description	Sizes	Notes	SG 11.46-0.85	DG 13.68-1.00	SG 14.29-0.82	DG 17.06-1.00
44	0750 118 038		1	ROLLER BEARING	35X68X27.5mm		◆	◆	◆	◆
45	0737 502 092		1	NUT	M60X1.5mm		◆	◆	◆	◆
46	0750 118 220		2	ROLLER BEARING	63X97.5X37.5mm		◆	◆	◆	◆
47	1297 304 267	(1297 304 025)	1	GEAR 4th 28 T		CDE	◆			
47	1297 304 260	(1297 304 026)	1	GEAR 4th 30 T		AD		◆		
47	1297 304 318	(1297 304 175)	1	GEAR 4th 26 T		ABDE			◆	
47	1297 304 413	(1297 304 285)	1	GEAR 4th 29 T		DE				◆
48	1297 304 031		1	GUIDE SLEEVE			◆	◆	◆	◆
49	1297 206 110	(1297 206 053)	1	GEAR SHIT FORK 3rd/4th						◆
49	1297 206 103	(1297 206 049)	1	GEAR SHIT FORK 3rd/4th			◆	◆	◆	
50	1297 304 266	(1297 304 019)	1	GEAR 3rd 32 T		ABCD	◆		◆	
50	1297 304 261	(1297 304 020)	1	GEAR 3rd 34 T		AD		◆		
50	1297 304 414	(1297 304 122)	1	GEAR 3rd 34 T		DE				◆
51	0735 320 451		1	NEEDLE CAGE	82X90X60mm		◆	◆	◆	◆
52	1297 304 181		1	MAIN SHAFT		ACDE	◆	◆		
52	1297 304 193		1	MAIN SHAFT		ABDE			◆	◆
53	0735 320 452		1	NEEDLE CAGE	82X90X55mm		◆	◆	◆	◆
54	1297 304 269	(1297 304 016)	1	GEAR 2nd 37 T		BCDE	◆		◆	
54	1297 304 442	(1297 304 017)	1	GEAR 2nd 38 T		ADE		◆		◆
55	1297 304 196		2	ENGAGING RING			◆	◆	◆	◆
56	1296 304 135	(1246 304 278)	2	SYNCHRONIZING CONE			◆	◆	◆	◆
57	1297 304 195		1	GUIDE SLEEVE			◆	◆	◆	◆
58	1257 304 020	(1250 304 160)	1	ENGAGING SLEEVE			◆	◆	◆	◆
59	1297 206 109	(1297 206 075)	1	GEAR SHIT FORK 1st/2nd						◆
59	1297 206 106	(1297 206 058)	1	GEAR SHIT FORK 1st/2nd			◆	◆	◆	
60	1297 304 035		1	BEARING RACE			◆	◆	◆	◆
61	0735 320 487		1	NEEDLE CAGE	82X90X68mm		◆	◆	◆	◆
62	1297 304 270	(1297 304 153)	1	GEAR 1st 44 T		ABCDE	◆		◆	
62	1297 304 441	(1297 304 152)	1	GEAR 1st 47 T		ADE		◆		◆
63	1297 304 154		1	GUIDE SLEEVE			◆	◆	◆	◆
64	1297 304 034		1	BEARING RACE			◆	◆		
65	0735 320 486		1	NEEDLE CAGE	78X86X44mm		◆	◆	◆	◆
66	1297 304 149		1	REVERSE GEAR 39 T		ABCDE	◆		◆	
66	1297 304 148		1	REVERSE GEAR 38 T		ADE		◆		◆
67	1297 206 174	(1297 206 162)	1	GEAR SHIT FORK/RG			◆	◆	◆	◆
68	1297 304 381	(1297 304 176)	1	THRUST WASHER		ADE	◆	◆		
69	1297 304 187		1	SUN GEAR 27 T		ADE	◆	◆		
70	0750 118 135	(0750 118 006)	1	ROLLER BEARING	65X140X33mm	ACDE	◆	◆		
71	1297 304 439	(1297 304 192)	1	SUN GEAR 24 T		ABDE			◆	◆
72	0750 118 180		1	ROLLER BEARING	80X140X33mm	ABDE			◆	◆
73	1297 301 154	(1297 301 138)	1	HOUSING						◆

NOTES :

ABCDE alphabetic letters are used in conjunction with the encoded parts.  
 Alphabetical Coding has been done according to Input Shaft

16 S 190

# GEARBOX 16S190







# GEARBOX 16S190

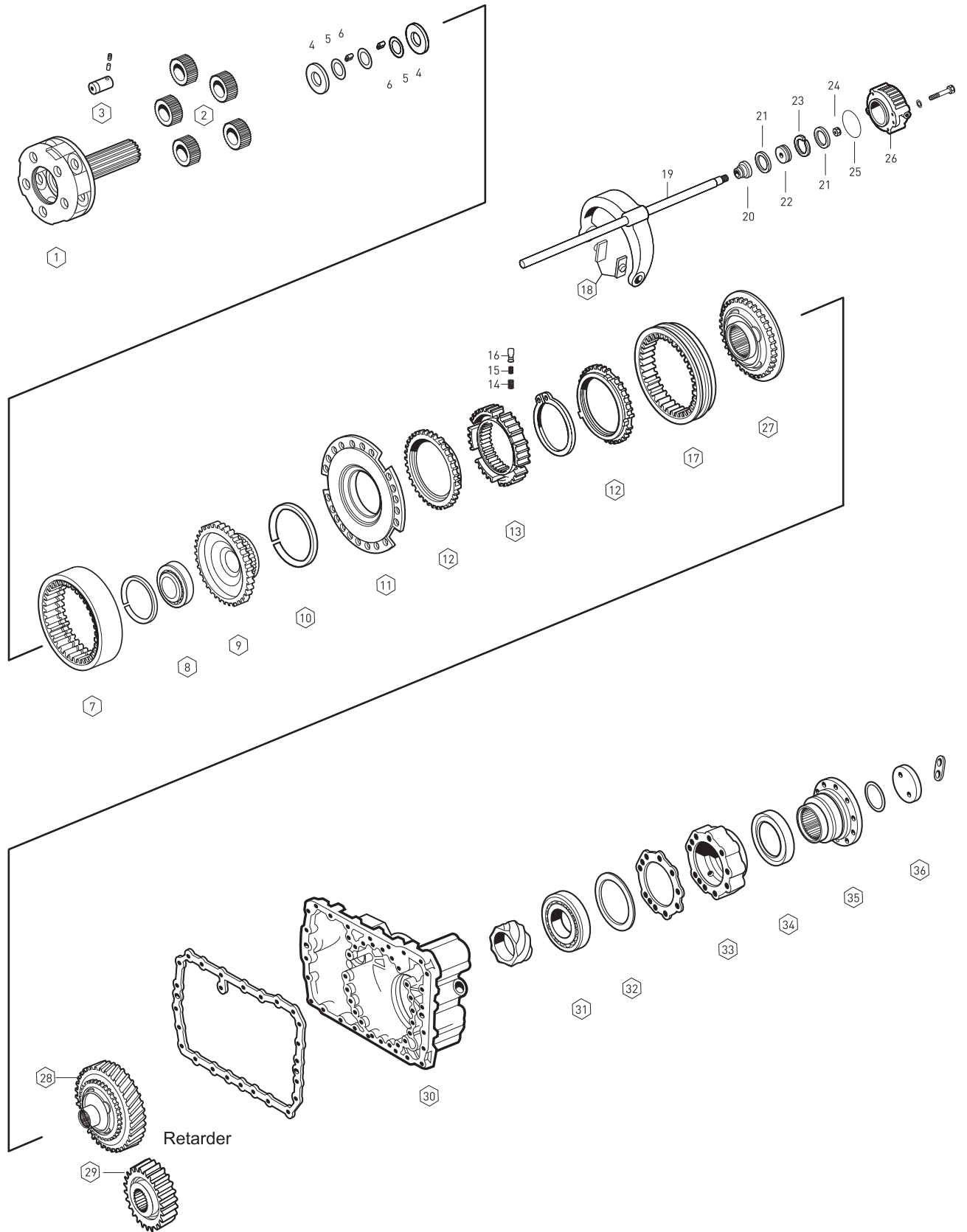




Fig.	Oem No	Oem Old No	Pcs.	Description	Sizes	Notes	SG 11.46-0.85	DG 13.68-1.00	SG 14.29-0.82	DG 17.06-1.00
1	1297 232 039	(1297 232 027)	1	PLANETARY CARRIER		A	◆	◆		
1	1297 232 045	(1297 232 026)	1	PLANETARY CARRIER		B			◆	◆
2	1297 232 023	(1297 332 022)	5	PLANETARY GEAR SET		A	◆	◆		
2	1297 232 024	(1297 332 028)	5	PLANETARY GEAR SET		B			◆	◆
3	1297 332 109	(1297 332 005)	5	PLANET SHAFT			◆	◆	◆	◆
4	0501 306 212		10	THRUST WASHER			◆	◆	◆	◆
5	0730 103 846		15	THRUST WASHER			◆	◆	◆	◆
6	0750 119 109		120	NEEDLE ROLLER	10X16.8mm		◆	◆	◆	◆
7	1297 332 080	(1297 332 036)	1	RING WHEEL		A	◆	◆		
7	1295 332 086		1	RING WHEEL 86 T		B			◆	◆
8	0750 116 165	(0635 338 049)	1	ROLLER BEARING	80X110X16mm		◆	◆	◆	◆
9	1297 332 017		1	CARRIER HUB		A	◆	◆		
9	1297 332 035		1	CARRIER HUB 86 T		B			◆	◆
10	0730 505 056	(0730 505 055)	1	SPRING RING	3.20mm		◆	◆	◆	◆
11	1296 233 006		1	FLANGE			◆	◆	◆	◆
12	1296 333 045	(1296 333 022)	2	SYNCHRONIZING CONE			◆	◆	◆	◆
13	1296 333 002		1	GUIDE SLEEVE			◆	◆	◆	◆
14	0732 040 385		9	SPRING			◆	◆	◆	◆
15	0732 040 386		9	SPRING			◆	◆	◆	◆
16	1240 304 278		9	PRESSURE PIECE			◆	◆	◆	◆
17	1296 333 023		1	ENGAGING SLEEVE			◆	◆	◆	◆
18	1296 334 004		2	SLIDING PAD			◆	◆	◆	◆
19	1312 234 002		1	GEAR SHIFT FORK			◆	◆	◆	◆
20	0750 112 034		1	FLANGE PACKING	25.0X38.0X14.2mm		◆	◆	◆	◆
21	0734 317 150	(0750 112 019)	2	SEALING RING	80.0X90.0X4.8mm		◆	◆	◆	◆
22	1296 334 039		1	PISTON			◆	◆	◆	◆
23	0750 112 066		1	GUIDE RING			◆	◆	◆	◆
24	0737 006 095		1	NUT	M16X1.5mm		◆	◆	◆	◆
25	0634 314 019		1	O-RING	94.0X3.0mm		◆	◆	◆	◆
26	1295 334 075		1	CYLINDER			◆	◆	◆	◆
27	1313 233 001	(1297 233 018)	1	ENGAGING RING	38spl.		◆	◆	◆	◆
28	1297 333 118		1	ENGAGING RING	Retarder				◆	
29	1297 313 231		1	GEAR	Retarder				◆	
30	1296 301 129		1	HOUSING				◆	◆	
30	1296 301 133		1	HOUSING			◆	◆	◆	◆
30	1296 301 180		1	HOUSING			◆	◆		
31	0750 116 002		1	ROLLER BEARING	90X160X30mm		◆	◆	◆	◆
32	0730 100 115		1	SHIM	0.30mm		◆	◆	◆	◆
32	0730 100 116		1	SHIM	0.20mm		◆	◆	◆	◆
32	2001660		1	SHIM	0.10mm		◆	◆	◆	◆
33	1295 231 001		1	BEARING COVER			◆	◆	◆	◆

NOTES :

A : Alphabetical letters used in conjunction with these products are classified.  
B : Alphabetical letters used in conjunction with these products are classified.

16 S 190

# GEARBOX 16S190

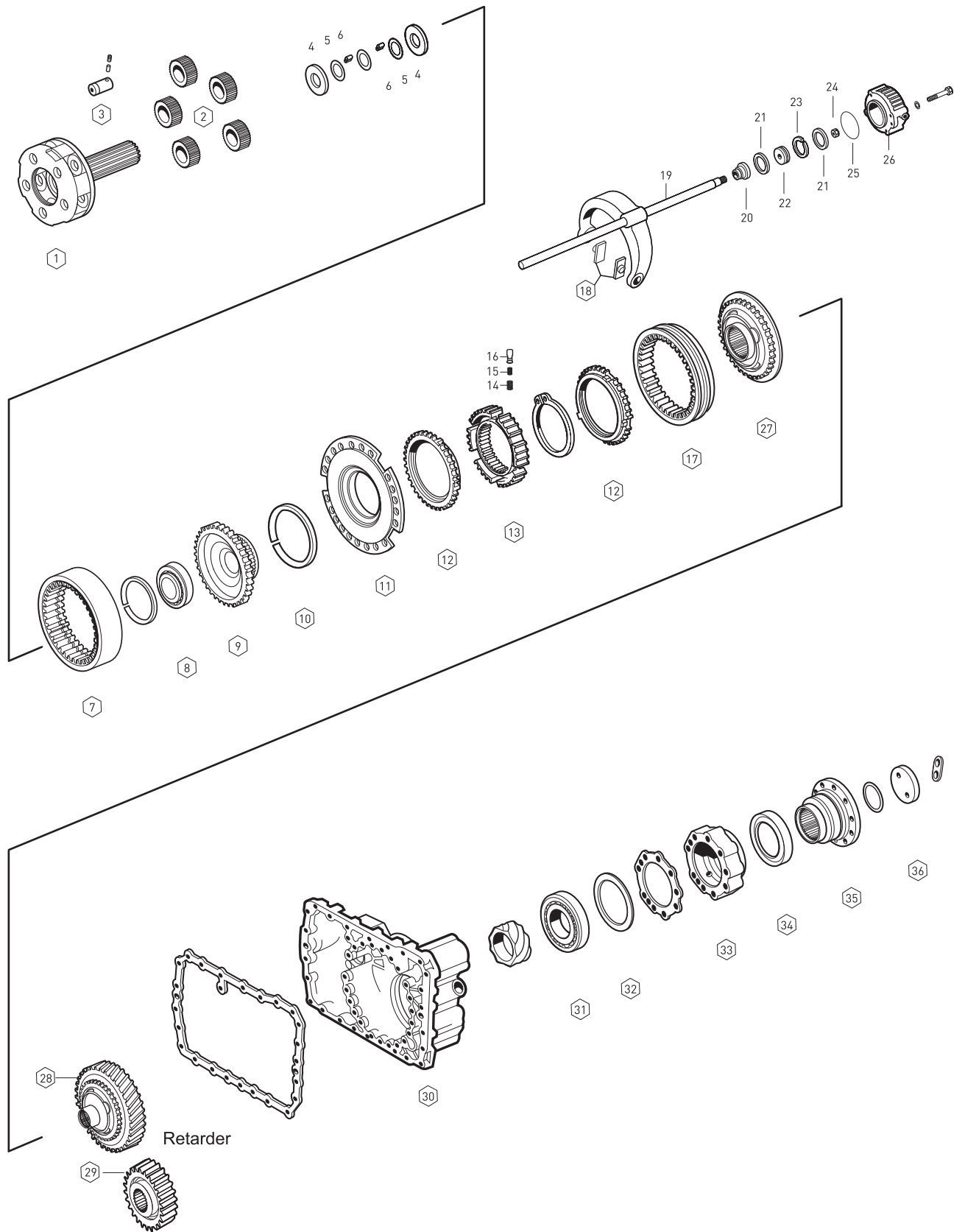


Fig.	Oem No	Oem Old No	Pcs	Description	Sizes	Notes	SG 11.46-0.85	DG 13.68-1.00	SG 14.29-0.82	DG 17.06-1.00
34	0750 111 341		1	OIL SEAL	105.0X130.0X12mm		◆	◆	◆	◆
35	1297 338 041		1	COMPANION FLANGE	4-H,Ø180mm		◆	◆	◆	◆
35	1297 338 010		1	COMPANION FLANGE	10-H,Ø180mm		◆	◆	◆	◆
35	1297 338 038		1	COMPANION FLANGE	10-H,Ø180mm		◆	◆	◆	◆
36	1295 332 051		1	WASHER			◆	◆	◆	◆

NOTES :

A : Alphabetical letters used in conjunction with these products are classified.  
B : Alphabetical letters used in conjunction with these products are classified.

1 6 S 1 9 0

# GEARBOX 16S190

## SYNCHRONIZER KIT INPUTSHAFT

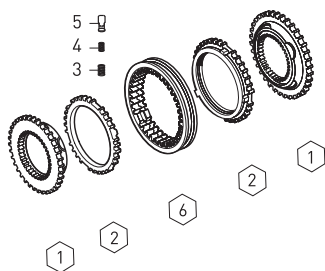


Fig.	o. Oem No	Oem Old No	Pcs	Description
	<b>1295 298 936</b>		Kit	SYNCHRONIZER KIT Const
1	<b>1295 304 278</b>		2	ENGAGING RING
2	<b>1304 304 686</b>	<b>(1295 304 004)</b>	2	SYNCHRONIZING CONE
3	<b>0732 040 385</b>		3	SPRING
4	<b>0732 040 386</b>		3	SPRING
5	<b>1240 304 278</b>		3	PRESSURE PIECE
6	<b>1295 304 002</b>		1	ENGAGING SLEEVE

## SYNCHRONIZER KIT 3rd/4th

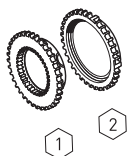


Fig.	o. Oem No	Oem Old No	Pcs	Description
	<b>1297 204 062</b>		Kit	SYNCH.KIT 3rd/4th
1	<b>1295 304 278</b>		1	ENGAGING RING
2	<b>1304 304 686</b>	<b>(1295 304 004)</b>	1	SYNCHRONIZING CONE

## SYNCHRONIZER KIT 3rd/4th

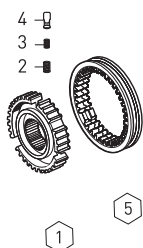


Fig.	o. Oem No	Oem Old No	Pcs	Description
	<b>1297 204 030</b>		Kit	SYNCH.KIT 3rd/4th
1	<b>1297 304 031</b>		1	GUIDE SLEEVE
2	<b>0732 040 385</b>		3	SPRING
3	<b>0732 040 386</b>		3	SPRING
4	<b>1240 304 278</b>		3	PRESSURE PIECE
5	<b>1295 304 002</b>		1	ENGAGING SLEEVE

## SYNCHRONIZER KIT 3rd/4th

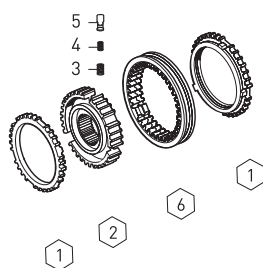


Fig.	o. Oem No	Oem Old No	Pcs	Description
	<b>1297 204 059</b>		Kit	SYNCH.KIT 3rd/4th
1	<b>1304 304 686</b>	<b>(1295 304 004)</b>	2	SYNCH.CONE
2	<b>1297 304 031</b>		1	GUIDE SLEEVE
3	<b>0732 040 385</b>		3	SPRING
4	<b>0732 040 386</b>		3	SPRING
5	<b>1240 304 278</b>		3	PRESSURE PIECE
6	<b>1295 304 002</b>		1	ENGAGING SLEEVE

## SYNCHRONIZER KIT 3rd/4th

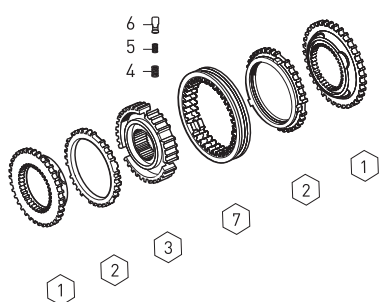


Fig.	o. Oem No	Oem Old No	Pcs	Description
	<b>1297 298 958</b>		Kit	SYNCH.KIT 3rd/4th
1	<b>1295 304 278</b>		2	ENGAGING RING
2	<b>1304 304 686</b>	<b>(1295 304 004)</b>	2	SYNCH.CONE
3	<b>1297 304 031</b>		1	GUIDE SLEEVE
4	<b>0732 040 385</b>		3	SPRING
5	<b>0732 040 386</b>		3	SPRING
6	<b>1240 304 278</b>		3	PRESSURE PIECE
7	<b>1295 304 002</b>		1	ENGAGING SLEEVE

Fig	o. Oem No	Oem Old No	Pcs	Description
	<b>1297 204 072</b>		Kit	SYNCH.KIT 1st/2nd
1	<b>1297 304 196</b>		1	ENGAGING RING
2	<b>1296 304 135</b>	<b>(1246 304 278)</b>	1	SYNCHRONIZING CONE

SYNCHRONIZER KIT 1st/2nd

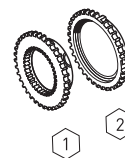


Fig	o. Oem No	Oem Old No	Pcs	Description
	<b>1297 204 031</b>		Kit	SYNCH.KIT 1st/2nd
1	<b>1297 304 195</b>		1	GUIDE SLEEVE
2	<b>0732 040 385</b>		3	SPRING
3	<b>0732 040 386</b>		3	SPRING
4	<b>1240 304 278</b>		3	PRESSURE PIECE
5	<b>1257 304 020</b>	<b>(1250 304 160)</b>	1	ENGAGING SLEEVE

SYNCHRONIZER KIT 1st/2nd

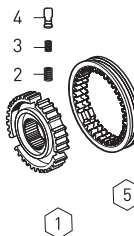


Fig	o. Oem No	Oem Old No	Pcs	Description
	<b>1297 204 019</b>		Kit	SYNCH.KIT 1st/2nd
1	<b>1296 304 135</b>	<b>(1246 304 278)</b>	2	SYNCH.CONE
2	<b>1297 304 195</b>		1	GUIDE SLEEVE
3	<b>0732 040 385</b>		3	SPRING
4	<b>0732 040 386</b>		3	SPRING
5	<b>1240 304 278</b>		3	PRESSURE PIECE
6	<b>1257 304 020</b>	<b>(1250 304 160)</b>	1	ENGAGING SLEEVE

SYNCHRONIZER KIT 1st/2nd

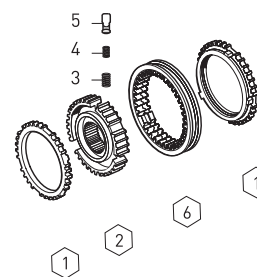


Fig	o. Oem No	Oem Old No	Pcs.	Description
	<b>1297 298 956</b>		Kit 1	SYNCH.KIT 1st/2nd
1	<b>1297 304 196</b>		2 1	ENGAGING RING
2	<b>1296 304 135</b>	<b>(1246 304 278)</b>	2 1	SYNCH.CONE
3	<b>1297 304 195</b>		1 1	GUIDE SLEEVE
4	<b>0732 040 385</b>		3 1	SPRING
5	<b>0732 040 386</b>		3 1	SPRING
6	<b>1240 304 278</b>		3 1	PRESSURE PIECE
7	<b>1257 304 020</b>	<b>(1250 304 160)</b>	1 1	ENGAGING SLEEVE

SYNCHRONIZER KIT 1st/2nd

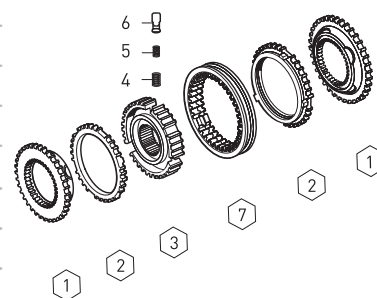
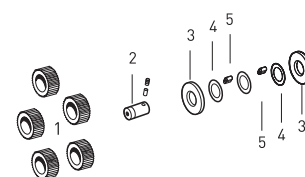


Fig	o. Oem No	Oem Old No	Pcs.	Description
	<b>1297 298 912</b>		Kit	PLANETARY GEAR KIT
1	<b>1297 232 023</b>	<b>(1297 332 022)</b>	5	PLANETARY GEAR
2	<b>1297 332 109</b>	<b>(1297 332 005)</b>	5	PLANETARY SHAFT
3	<b>0501 306 212</b>		10	THRUST WASHER
4	<b>0730 103 846</b>		15	THRUST WASHER
5	<b>0750 119 109</b>		120	NEEDLE ROLLER (10X16,8)

PLANETARY GEAR KIT



## PLANETARY GEAR KIT

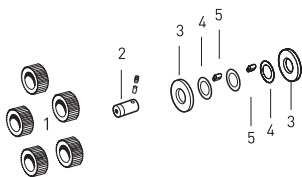


Fig.	. Oem No	Oem Old No	Pcs	Description
	<b>1297 298 919</b>		Kit	PLANETARY GEAR KIT
1	<b>1297 232 024</b>	<b>(1297 332 028)</b>	5	PLANETARY GEAR
2	<b>1297 332 109</b>	<b>(1297 332 005)</b>	5	PLANETARY SHAFT
3	<b>0501 306 212</b>		10	THRUST WASHER
4	<b>0730 103 846</b>		15	THRUST WASHER
5	<b>0750 119 109</b>		120	NEEDLE ROLLER (10X16.8)

## SYNCHRONIZER KIT PLANETARY

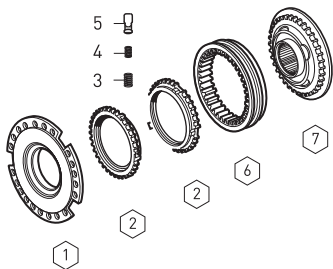


Fig.	. Oem No	Oem Old No	Pcs.	Description
	<b>1295 298 939</b>		Kit	SYNCHRONIZER KIT
1	<b>1296 233 006</b>		1	FLANGE
2	<b>1296 333 045</b>	<b>(1296 333 022)</b>	2	SYNCHRONIZING CONE
3	<b>0732 040 385</b>		9	SPRING
4	<b>0732 040 386</b>		9	SPRING
5	<b>1240 304 278</b>		9	PRESSURE PIECE
6	<b>1296 333 023</b>		1	ENGAGING SLEEVE
7	<b>1313 233 001</b>	<b>(1297 233 018)</b>	1	ENGAGING RING

## SYNCHRONIZER KIT PLANETARY

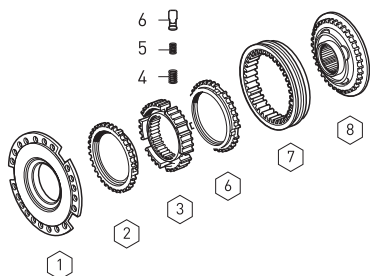


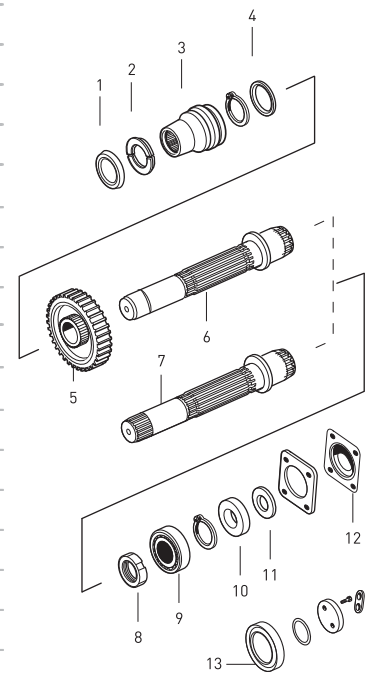
Fig	o. Oem No	Oem Old No	Pcs	Description
	<b>1295 298 950</b>		Kit	SYNCHRONIZER KIT
1	<b>1296 233 006</b>		1	FLANGE
2	<b>1296 333 045</b>	<b>(1296 333 022)</b>	2	SYNCHRONIZING CONE
3	<b>1296 333 002</b>		1	GUIDE SLEEVE
4	<b>0732 040 385</b>		9	SPRING
5	<b>0732 040 386</b>		9	SPRING
6	<b>1240 304 278</b>		9	PRESSURE PIECE
7	<b>1296 333 023</b>		1	ENGAGING SLEEVE
8	<b>1313 233 001</b>	<b>(1297 233 018)</b>	1	ENGAGING RING

## GEARBOX GASKET KIT

Fig.	. Oem No	Oem Old No	Pcs	Description
1	<b>K20.01584</b> <b>1295 298 915</b>		Kit	GASKET KIT
2	<b>1313 301 038</b>		1	GASKET
3	<b>1313 302 014</b>		1	GASKET
4	<b>1313 306 012</b>		1	GASKET
5	<b>1313 307 002</b>		1	GASKET
5	<b>1313 307 020</b>		2	GASKET
5	<b>1313 307 003</b>		1	GASKET
5	<b>1313 307 004</b>		1	GASKET
5	<b>1313 307 022</b>		1	GASKET
6	<b>1313 301 037</b>		1	GASKET
7	<b>1313 301 036</b>		1	GASKET
8	<b>1238 308 201</b>		1	GASKET
9	<b>1313 307 005</b>		1	GASKET
10	<b>1313 307 006</b>		1	GASKET

Fig.	Oem No	Oem Old No	Pcs	Description
1	1296 313 131		1	RETAINING RING
2	0730 104 627		1	SPLIT RING
3	1296 313 238		1	SLIDING SLEEVE
4	0730 104 628		1	THRUST WASHER
5	1296 313 082		1	GEAR 33 T
5	1296 313 083		1	GEAR 36 T
5	1296 313 084		1	GEAR 38 T
5	1296 313 085		1	GEAR 39 T
5	1296 313 086		1	GEAR 46 T
6	1296 213 028		1	INTERM.SHAFT
7	1296 213 028		1	INTERM.SHAFT (Milled)
8	1296 313 125		1	NUT
9	0735 410 139		1	ROLLER BEARING
10	7429 032 102		1	THRUST WASHER
11	1232 304 062		1	SHIM (1.00mm)
11	1232 304 063		1	SHIM (0.90mm)
11	1232 304 072		1	SHIM (0.70mm)
12	1250 313 190		1	COVER
13	0750 111 341		1	OIL SEAL

P.T.O. (POWERTAKEOFF)





# GEARBOX 16S190/1

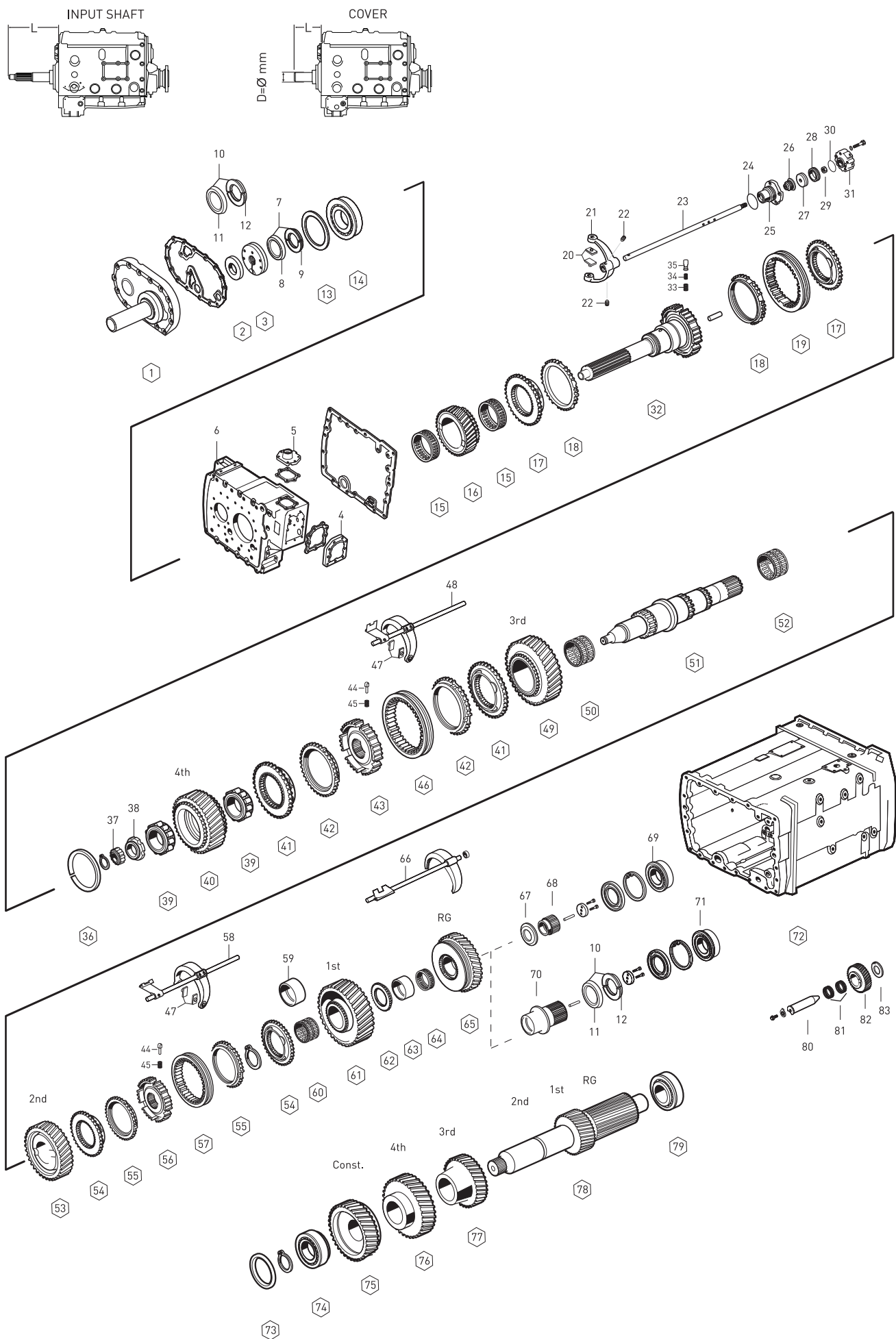


Fig.	Oem No	Oem Old No	Pcs	Description	Sizes	Notes	DG 13.68-1.00	DG 17.06-1.00
1	1297 302 043		1	COVER	L=170 D=62.6	A	◆	◆
1	1297 302 025		1	COVER	L=205 D=68	B		◆
1	1297 302 082		1	COVER	L=190 D=66	C		◆
2	0734 310 387		1	OIL SEAL	55X75X8mm	ABC (1)	◆	◆
2	0634 310 733		1	OIL SEAL	90X110X13mm	D (2)		◆
3	1295 202 041		1	OIL PUMP			◆	◆
4	1295 307 479		1	COVER			◆	◆
5	1295 307 434		1	COVER			◆	◆
6	1296 301 205		1	HOUSING		AB	◆	◆
6	1296 301 206		1	HOUSING		C		◆
6	1296 301 227	(1296 301 228)	1	HOUSING		D		◆
7	1499 298 003		1	SIPLIT RING KIT	4.00mm	(3)	◆	◆
7	1499 298 002		1	SIPLIT RING KIT	3.90mm	(4)	◆	◆
7	1499 298 001		1	SIPLIT RING KIT	3.80mm	(5)	◆	◆
8	0730 062 579		1	RETAINING RING			◆	◆
9	0730 105 156		2	SIPLIT RING	4.00mm		◆	◆
9	0730 105 155		2	SIPLIT RING	3.90mm		◆	◆
9	0730 105 154		2	SIPLIT RING	3.80mm		◆	◆
10	1499 298 090		1	SIPLIT RING KIT	4.30mm	(6)	◆	◆
10	1499 298 114		1	SIPLIT RING KIT	4.20mm	(7)	◆	◆
10	1499 298 100		1	SIPLIT RING KIT	4.10mm	(8)	◆	◆
10	1499 298 098		2	SIPLIT RING KIT	4.00mm	(9)	◆	◆
10	1499 298 096		2	SIPLIT RING KIT	3.90mm	(10)	◆	◆
10	1499 298 094		2	SIPLIT RING KIT	3.80mm	(11)	◆	◆
11	0730 061 816		2	RETAINING RING			◆	◆
12	0730 103 244		2	SIPLIT RING	4.30mm		◆	◆
12	0730 104 337		2	SIPLIT RING	4.20mm		◆	◆
12	0730 103 941		2	SIPLIT RING	4.10mm		◆	◆
12	0730 103 939		2	SIPLIT RING	4.00mm		◆	◆
12	0730 103 937		2	SIPLIT RING	3.90mm		◆	◆
12	0730 103 935		2	SIPLIT RING	3.80mm		◆	◆
13	0730 102 504		1	SHIM	0.60mm		◆	◆
13	2001645		1	SHIM	0.30mm		◆	◆
13	2001646		1	SHIM	0.20mm		◆	◆
13	2001647		1	SHIM	0.10mm		◆	◆
14	0750 118 130	(0750 118 131)	1	ROLLER BEARING	80X150X27.5mm		◆	◆
15	0735 320 896		2	NEEDLE CAGE	88X96X29mm		◆	◆
16	1297 302 176	(1297 302 071)	1	CONSTANT GEAR 28 T		A	◆	
16	1297 302 241	(1297 302 079)	1	CONSTANT GEAR 26 T		ABCD		◆
17a	1295 304 278		2	ENGAGING RING			◆	◆
17b	1297 304 041		2	ENGAGING RING			◆	◆

**NOTES :**

ABCD alphabetic letters are used in conjunction with the encoded parts.

Alphabetical Coding has been done according to Input Shaft

(1) With Input Shaft 1297 202 009 - 1297 202 003 - 1297 202 054

(2) With Input Shaft 1297 221 009

(3) This kit includes [1499 298 003] = 2pcs 0730 105 156 + 1pcs 0730 062 579

(4) This kit includes [1499 298 002] = 2pcs 0730 105 155 + 1pcs 0730 062 579

(5) This kit includes [1499 298 001] = 2pcs 0730 105 154 + 1pcs 0730 062 579

(6) This kit includes [1499 298 090] = 2pcs 0730 103 244 + 1pcs 0730 061 816

(7) This kit includes [1499 298 114] = 2pcs 0730 104 337 + 1pcs 0730 061 816

(8) This kit includes [1499 298 100] = 2pcs 0730 103 941 + 1pcs 0730 061 816

(9) This kit includes [1499 298 098] = 2pcs 0730 103 939 + 1pcs 0730 061 816

(10) This kit includes [1499 298 096] = 2pcs 0730 103 937 + 1pcs 0730 061 816

(11) This kit includes [1499 298 094] = 2pcs 0730 103 935 + 1pcs 0730 061 816

16 S 190/1

# GEARBOX 16S190/1

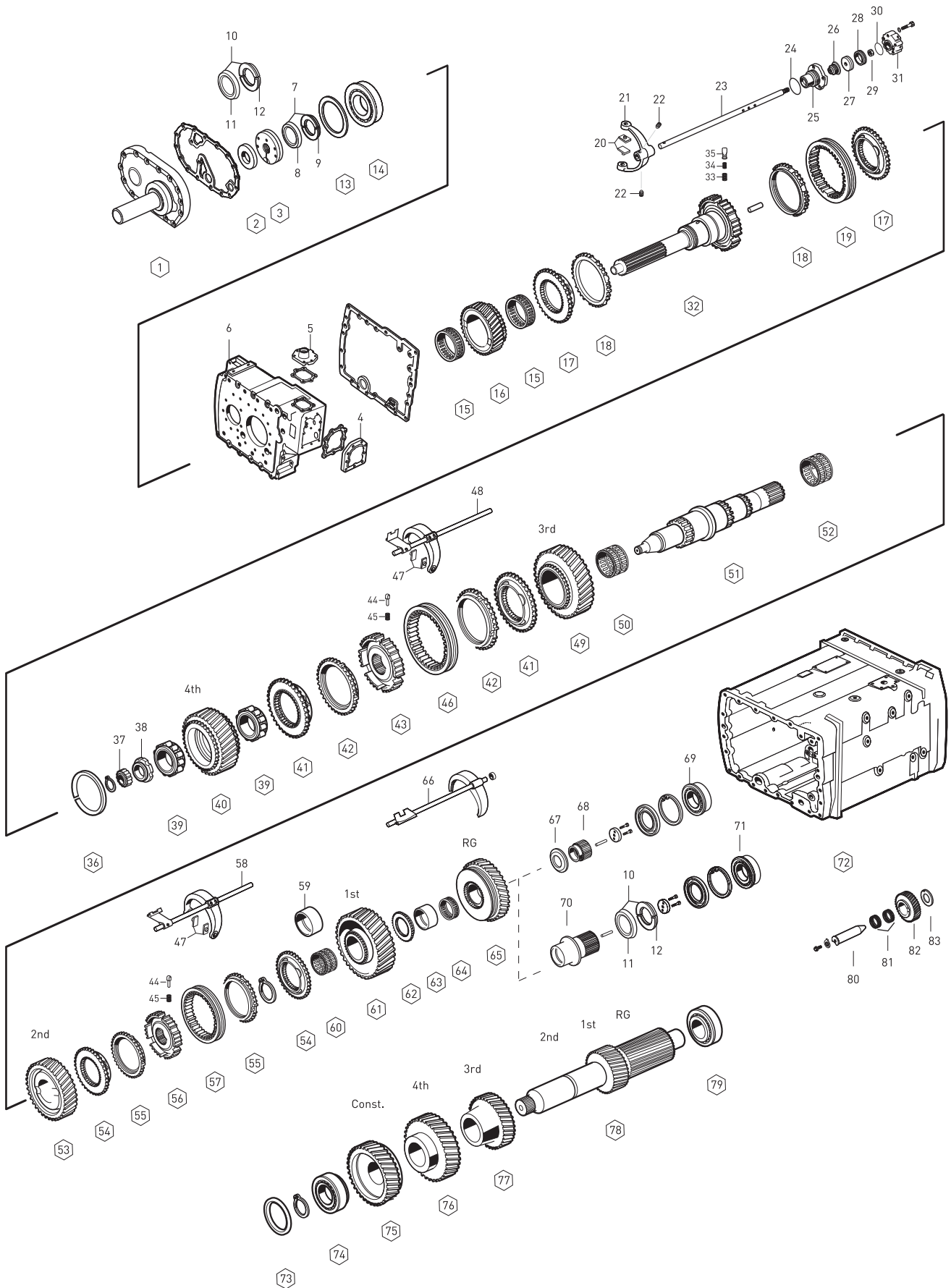
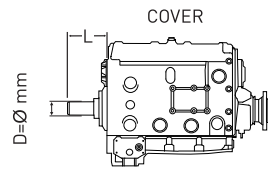
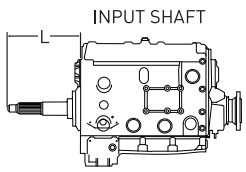


Fig	Oem No	Oem Old No	Pcs.	Description	Sizes	Notes	DG 13.68-1.00	DG 17.06-1.00
18	1304 304 686	(1295 304 004)	2	SYNCHRONIZING CONE			◆	◆
19	1295 304 002		1	ENGAGING SLEEVE			◆	◆
20	1295 306 132		2	SLIDING PAD			◆	◆
21	1313 312 002		1	G.SHIFT FORK			◆	◆
22	1315 312 047		2	SCREW	M12X1.0mm		◆	◆
23	1297 312 008		1	G.SHIFT RAIL			◆	◆
24	0634 313 671		1	O-RING	80.0X3.0mm		◆	◆
25	1296 312 042	(1296 312 016)	1	CYLINDER			◆	◆
26	0750 112 034		1	FLANGE PACKING	25.0X38.0X14.2mm		◆	◆
27	1296 312 053	(1296 312 047)	1	PISTON			◆	◆
28	0750 112 089		1	DOUBLE PACKING	53.0X63.0X16.2mm		◆	◆
29	0737 006 095		1	NUT	M16X1.5mm		◆	◆
30	0634 314 018		1	O-RING	59.0X2.0mm		◆	◆
31	0750 132 033		1	5/2 WAY VALVE			◆	◆
32	1297 202 009	(1297 202 025)	1	INPUT SHAFT	L=310 SAE 2	A	◆	◆
32	1297 202 003	(1297 202 023)	1	INPUT SHAFT	L=324 SAE 2	B	◆	◆
32	1297 202 054	(1297 202 043)	1	INPUT SHAFT	L=315 SAE 2	C	◆	◆
32	1297 221 009		1	INPUT SHAFT	L=397.6 SAE 2	D	◆	◆
33	0732 040 385		3	SPRING			◆	◆
34	0732 040 386		3	SPRING			◆	◆
35	1240 304 278		3	PRESSURE PIECE			◆	◆
36	0730 003 518		1	RING	6.30mm		◆	◆
36	0730 003 517		1	RING	6.00mm		◆	◆
36	0730 003 161		1	RING	5.10mm		◆	◆
36	0730 003 159		1	RING	4.50mm		◆	◆
36	0730 004 237		1	RING	4.00mm		◆	◆
37	0750 118 038		1	ROLLER BEARING	35X68X27.5mm		◆	◆
38	0737 502 092		1	NUT	M60X1.5mm		◆	◆
39	0750 118 220		2	ROLLER BEARING	63X97.5X37.5mm		◆	◆
40	1297 304 260	(1297 304 026)	1	GEAR 4th 30 T		A	◆	◆
40	1297 304 413	(1297 304 285)	1	GEAR 4th 29 T		ABCD	◆	◆
41	1297 304 369		2	ENGAGING RING			◆	◆
42	1297 304 484	(1297 304 402)	2	SYNCHRONIZING CONE			◆	◆
43	1297 304 446		1	GUIDE SLEEVE			◆	◆
44	1297 304 436		6	PRESSURE PIECE			◆	◆
45	0732 040 409		6	SPRING			◆	◆
46	1310 304 202	(1312 302 057)	1	ENGAGING SLEEVE			◆	◆
		(1310 304 174)						
47	1297 306 120		4	SLIDING PAD			◆	◆
48	1297 206 103	(1297 206 049)	1	GEAR SHIT FORK 3rd/4th			◆	◆
49	1297 304 261	(1297 304 020)	1	GEAR 3rd 34 T		A	◆	◆

NOTES \_\_\_\_\_:

ABCD alfabetic letters are used in conjunction with the encoded parts.  
 Alphabetical Coding has been done according to Input Shaft

16 S 190/1

# GEARBOX 16S190/1

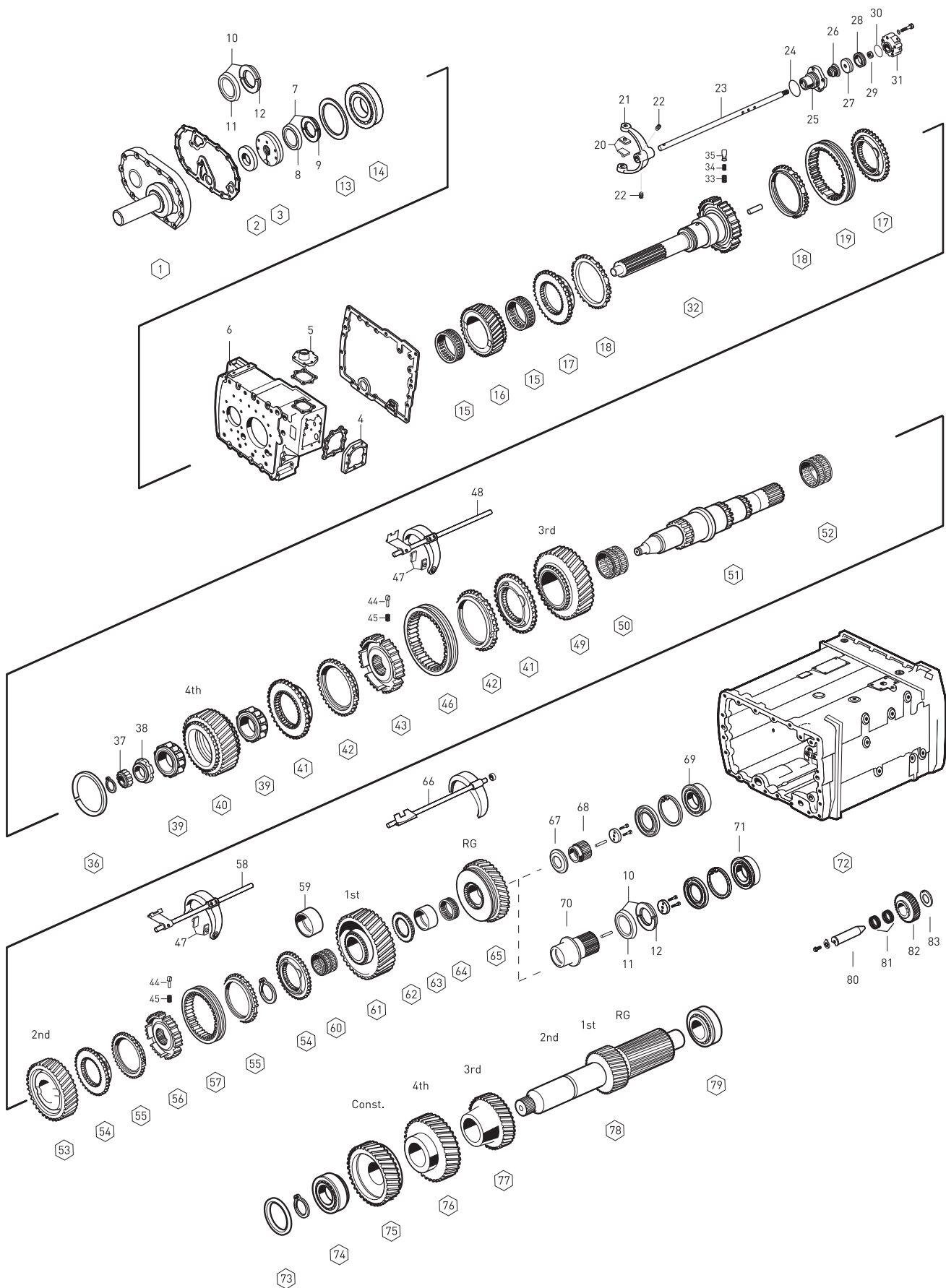
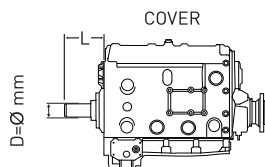
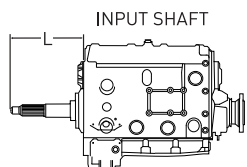


Fig.	Oem No	Oem Old No	Pcs	Description	Sizes	Notes	DG 13.68-1.00	DG 17.06-1.00
49	1297 304 414	(1297 304 122)	1	GEAR 3rd 34 T		ABCD	◆	◆
50	0735 320 451		1	NEEDLE CAGE	82x90x60mm		◆	◆
51	1297 304 181		1	MAIN SHAFT		A	◆	
51	1297 304 193		1	MAIN SHAFT		ABCD		◆
52	0735 320 452		1	NEEDLE CAGE	82X90X55mm		◆	◆
53	1297 304 442	(1297 304 017)	1	GEAR 2nd 38 T		ABCD	◆	◆
54	1297 304 371		2	ENGAGING RING			◆	◆
55	1297 304 485	(1297 304 401)	2	SYNCHRONIZING CONE			◆	◆
56	1297 304 445		1	GUIDE SLEEVE			◆	◆
57	1297 304 450	(1297 304 415)	1	ENGAGING SLEEVE			◆	◆
58	1297 206 106	(1297 206 058)	1	GEAR SHIT FORK 1st/2nd			◆	◆
59	1297 304 035		1	BEARING RACE			◆	◆
60	0735 320 487		1	NEEDLE CAGE	82X90X68mm		◆	◆
61	1297 304 441	(1297 304 152)	1	GEAR 1st 47 T		ABCD	◆	◆
62	1297 304 154		1	GUIDE SLEEVE			◆	◆
63	1297 304 034		1	BEARING RACE			◆	◆
64	0735 320 486		1	NEEDLE CAGE	78X86X44mm		◆	◆
65	1297 304 148		1	REVERSE GEAR 38 T		ABCD	◆	◆
66	1297 206 174	(1297 206 162)	1	GEAR SHIT FORK/RG			◆	◆
67	1297 304 381	(1297 304 176)	1	THRUST WASHER			◆	
68	1297 304 187		1	SUN GEAR 27 T			◆	
69	0750 118 006		1	ROLLER BEARING	65X140X33mm		◆	
70	1297 304 439	(1297 304 192)	1	SUN GEAR 24 T				◆
71	0750 118 180		1	ROLLER BEARING	80X140X33mm			◆
72	1297 301 146	(1297 301 105)	1	HOUSING		ABD	◆	◆
		(1297 301 148)						
		(1297 301 106)						
72	1297 301 147	(1297 301 093)	1	HOUSING		C		◆
73	0730 102 099		1	SHIM	3.00mm		◆	◆
73	0730 102 060		1	SHIM	2.60mm		◆	◆
73	0730 102 068		1	SHIM	2.20mm		◆	◆
73	0730 102 075		1	SHIM	1.85mm		◆	◆
73	2001652		1	SHIM	0.30mm		◆	◆
73	2001653		1	SHIM	0.20mm		◆	◆
73	2001654		1	SHIM	0.10mm		◆	◆
74	0750 117 010		1	ROLLER BEARING	50.8X100X35mm		◆	◆
75	1297 303 066	(1297 303 039)	1	CONSTANT GEAR 34 T		A	◆	
75	1297 303 086	(1297 303 043)	1	CONSTANT GEAR 35 T		ABCD		◆
76	1297 303 065	(1297 303 026)	1	GEAR 4th 31 T		A	◆	
76	1297 303 123	(1297 303 041)	1	GEAR 4th 32 T		ABCD		◆
77	1297 303 067	(1297 303 009)	1	GEAR 3rd 25 T		A	◆	

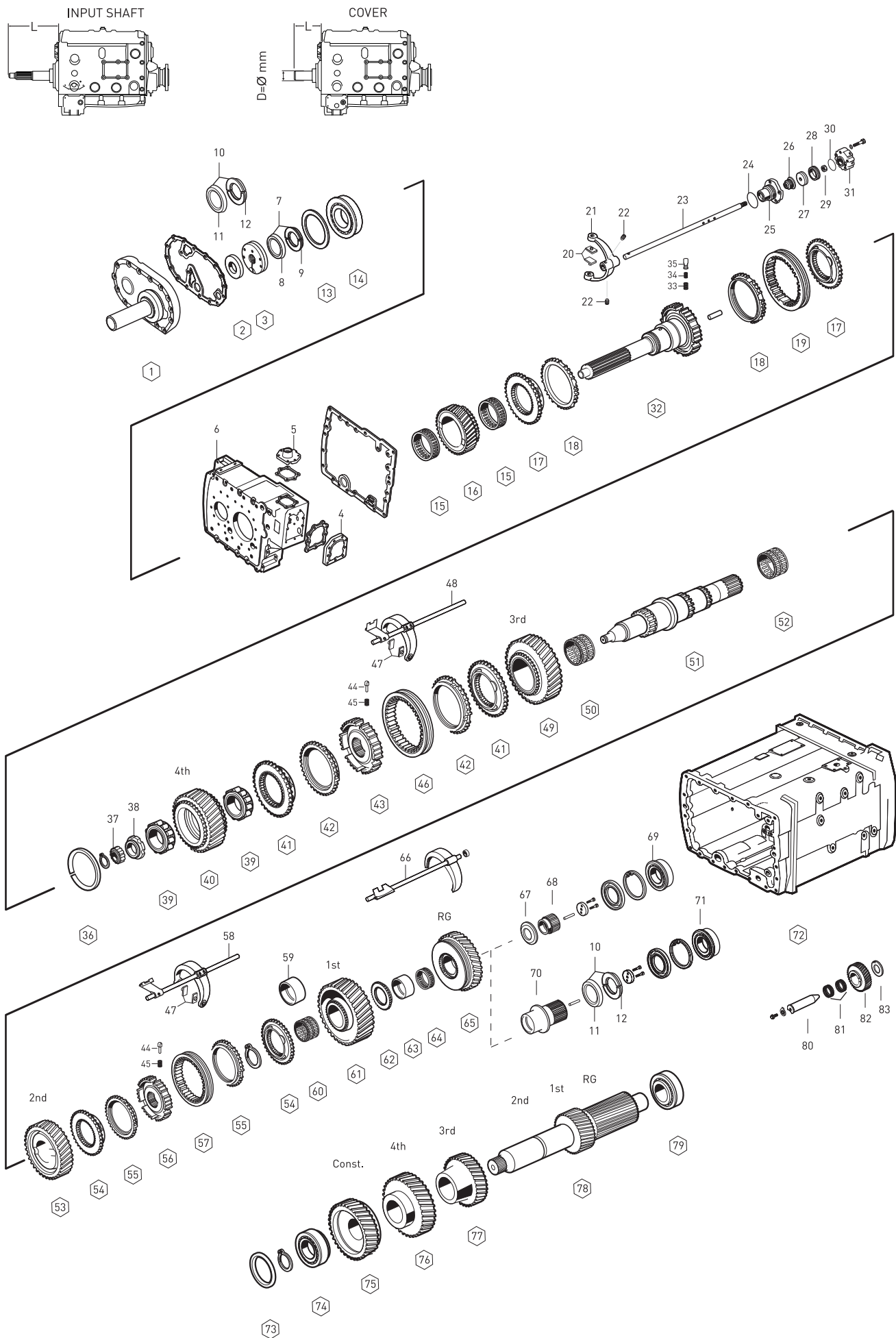
NOTES :

ABCD alfabetic letters are used in conjunction with the encoded parts.  
 Alphabetical Coding has been done according to Input Shaft

16 S 190/1



# GEARBOX 16S190/1







# GEARBOX 16S190/1

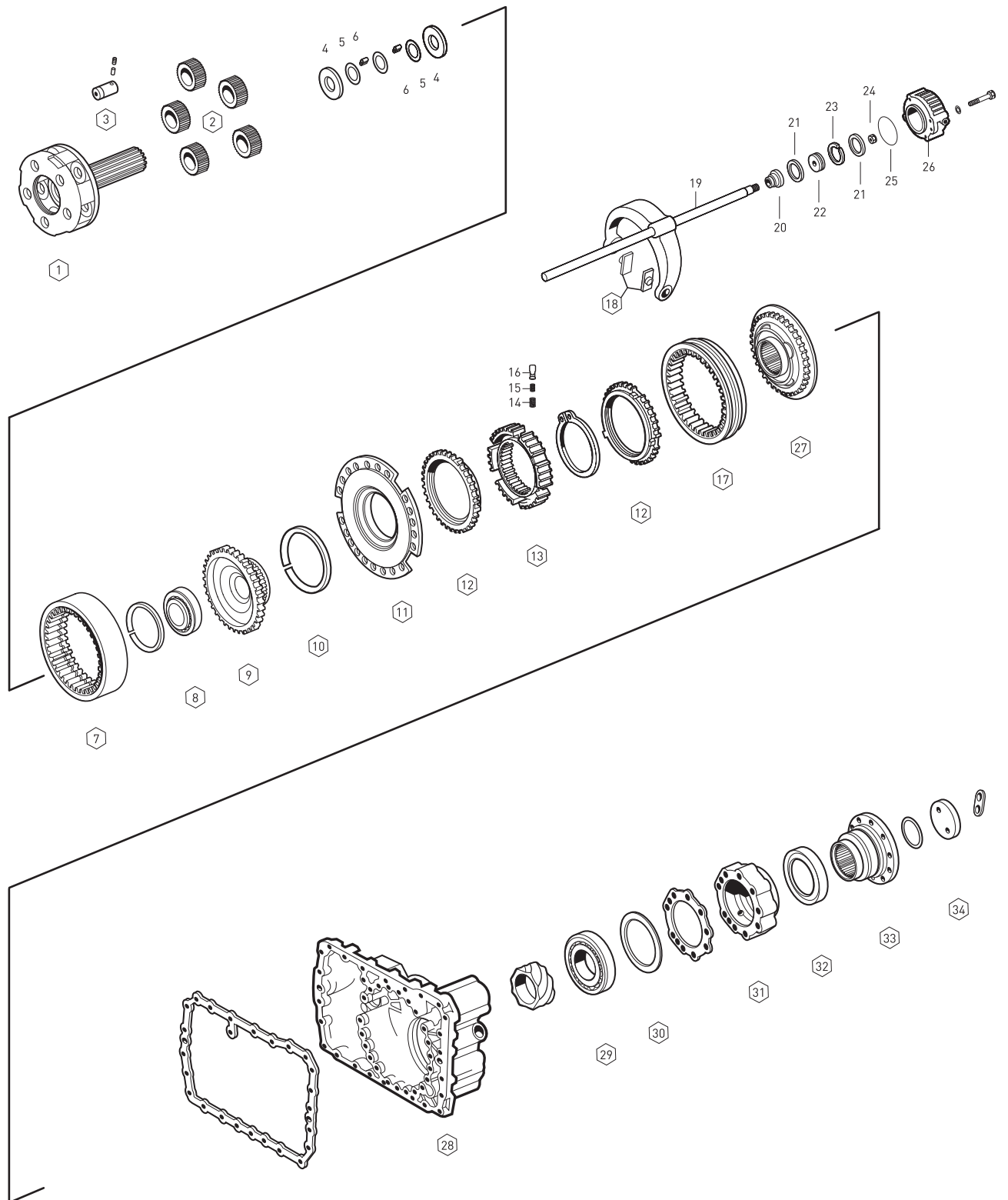


Fig.	Oem No	Oem Old No	Pcs.	Description	Sizes	Notes	DG 13.68-1.00	DG 17.06-1.00	DG 17.06-1.00
1	1297 232 039	(1297 232 027)	1	PLANETARY CARRIER		A	◆		
1	1297 232 045	(1297 232 026)	1	PLANETARY CARRIER		B		◆	
1	1316 232 005	(1312 232 013)	1	PLANETARY CARRIER		C			◆
2	1297 232 023	(1297 332 022)	5	PLANETARY GEAR SET		A	◆		
2	1297 232 024	(1297 332 028)	5	PLANETARY GEAR SET		B		◆	
2	1312 232 014		5	PLANETARY GEAR SET		C			◆
3	1297 332 109	(1297 332 005)	5	PLANET SHAFT		AB	◆	◆	
3	1312 332 026		5	PLANET SHAFT		C			◆
4	0501 306 212		10	THRUST WASHER		AB	◆	◆	
4	0501 308 981		10	THRUST WASHER		C			◆
5	0730 103 846		15	THRUST WASHER		AB	◆	◆	
5	0730 107 168		15	THRUST WASHER		C			◆
6	0750 119 109		120	NEEDLE ROLLER	10X16.8mm	AB	◆	◆	
6	0750 119 116		140	NEEDLE ROLLER	10X16.8mm	C			◆
7	1297 332 080	(1297 332 036)	1	RING WHEEL		A	◆		
7	1295 332 086		1	RING WHEEL 86 T		BC		◆	◆
8	0750 116 165	(0635 338 049)	1	ROLLER BEARING	80X110X16mm	AB	◆	◆	
8	0635 338 035		1	ROLLER BEARING	100X125X13mm	C			◆
9	1297 332 017		1	CARRIER HUB		A	◆		
9	1297 332 035		1	CARRIER HUB 86 T		B		◆	
9	1297 332 120		1	CARRIER HUB 86 T		C			◆
10	0730 505 056	(0730 505 055)	1	SPRING RING	3.20mm		◆	◆	◆
11	1296 233 006		1	FLANGE			◆	◆	◆
12	1296 333 045	(1296 333 022)	2	SYNCHRONIZING CONE			◆	◆	◆
13	1296 333 002		1	GUIDE SLEEVE		AB	◆	◆	
13	1297 333 115		1	GUIDE SLEEVE		C			◆
14	0732 040 385		9	SPRING			◆	◆	◆
15	0732 040 386		9	SPRING			◆	◆	◆
16	1240 304 278		9	PRESSURE PIECE			◆	◆	◆
17	1296 333 023		1	ENGAGING SLEEVE			◆	◆	◆
18	1296 334 004		2	SLIDING PAD			◆	◆	◆
19	1312 234 002		1	GEAR SHIFT FORK			◆	◆	◆
20	0750 112 034		1	FLANGE PACKING	25.0X38.0X14.2mm		◆	◆	◆
21	0734 317 150	(0750 112 019)	2	SEALING RING	80.0X90.0X4.8mm		◆	◆	◆
22	1296 334 039		1	PISTON			◆	◆	◆
23	0750 112 066		1	GUIDE RING			◆	◆	◆
24	0737 006 095		1	NUT	M16X1.5mm		◆	◆	◆
25	0634 314 019		1	O-RING	94.0X3.0mm		◆	◆	◆
26	1295 334 075		1	CYLINDER			◆	◆	◆
27	1313 233 001	(1297 233 018)	1	ENGAGING RING	38spl.	AB	◆	◆	
27	1297 233 056		1	ENGAGING RING		C			◆

NOTES :

- A : Alphabetical letters used in conjunction with these products are classified.
- B : Alphabetical letters used in conjunction with these products are classified.
- C : Alphabetical letters used in conjunction with these products are classified.

16 S 190/1

# GEARBOX 16S190/1

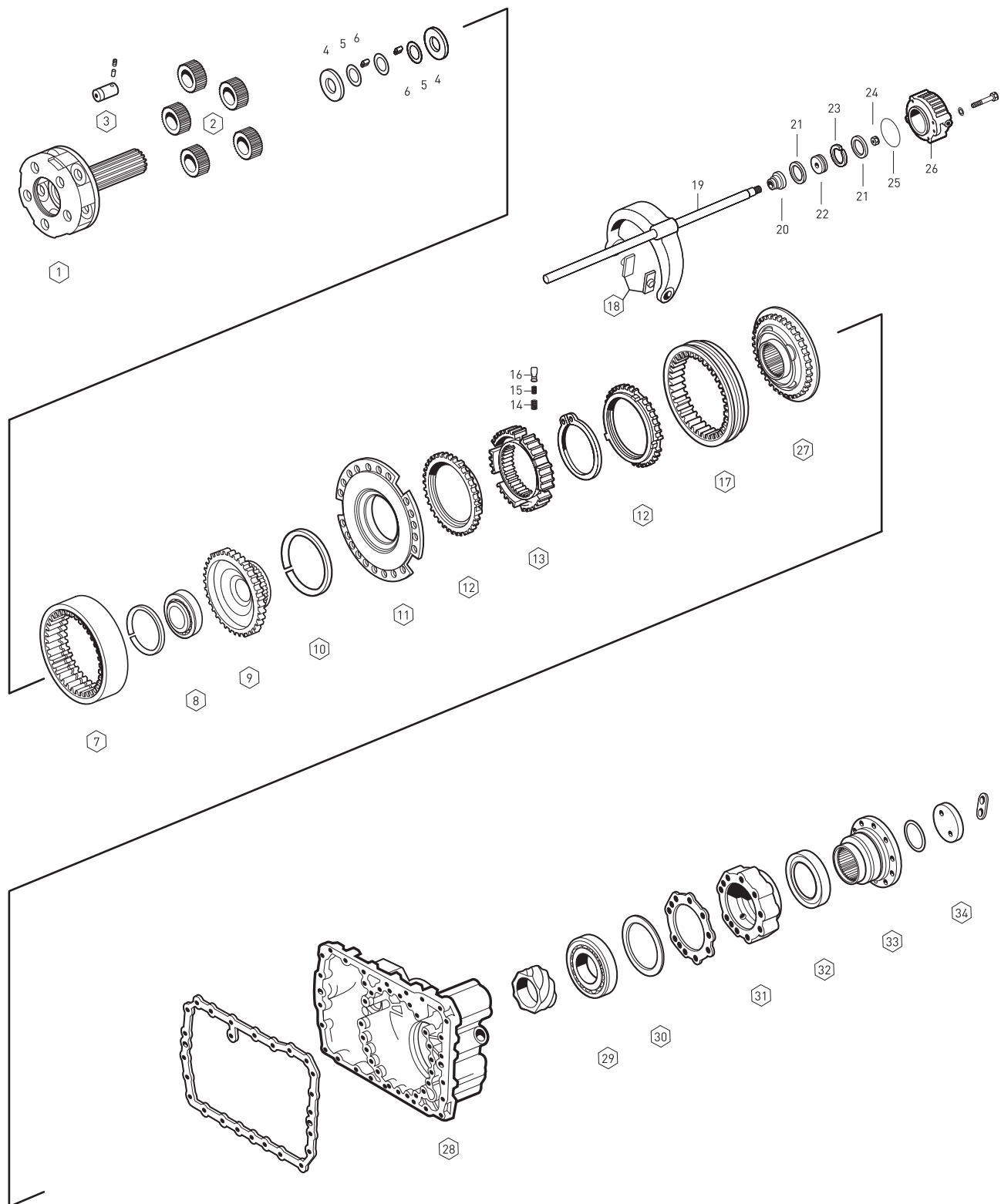


Fig.	Oem No	Oem Old No	Pcs.	Description	Sizes	Notes	DG 13.68-1.00	DG 17.06-1.00	DG 17.06-1.00
28	1296 301 133		1	HOUSING		A	◆		
28	1296 301 180		1	HOUSING		B		◆	
28	1313 301 009		1	HOUSING		C			◆
29	0750 116 002		1	ROLLER BEARING	90X160X30mm		◆	◆	◆
30	0730 100 115		1	SHIM	0.30mm		◆	◆	◆
30	0730 100 116		1	SHIM	0.20mm		◆	◆	◆
30	2001660		1	SHIM	0.10mm		◆	◆	◆
31	1295 231 001		1	BEARING COVER		AB	◆	◆	
31	1315 231 002	(1296 301 140)	1	BEARING COVER		C			◆
32	0750 111 341		1	OIL SEAL	105X130X12mm			◆	◆
33	1297 338 010		1	COMPANION FLANGE	10-H,Ø180mm	A	◆		
33	1297 338 051		1	COMPANION FLANGE	10-H,Ø180mm	B		◆	
33	1297 333 110		1	COMPANION FLANGE	4-H,Ø180mm	C			◆
34	1295 332 051		1	WASHER			◆	◆	◆

NOTES \_\_\_\_\_:

- A : Alphabetical letters used in conjunction with these products are classified.
- B : Alphabetical letters used in conjunction with these products are classified.
- C : Alphabetical letters used in conjunction with these products are classified.

1 6 S 1 9 0 / 1

# GEARBOX 16S190/1

## SYNCHRONIZER KIT CONST.

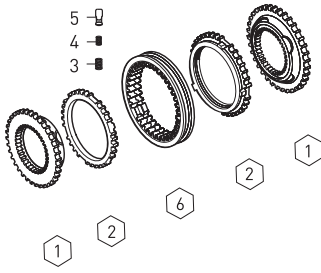


Fig.	. Oem No	Oem Old No	Pcs	Description
	<b>1295 298 936</b>		Kit	SYNCHRONIZER KIT Const
1	<b>1295 304 278</b>		2	ENGAGING RING
2	<b>1304 304 686</b>	<b>(1295 304 004)</b>	2	SYNCHRONIZING CONE
3	<b>0732 040 385</b>		3	SPRING
4	<b>0732 040 386</b>		3	SPRING
5	<b>1240 304 278</b>		3	PRESSURE PIECE
6	<b>1295 304 002</b>		1	ENGAGING SLEEVE

## SYNCHRONIZER KIT 3rd/4th

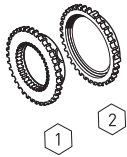


Fig.	. Oem No	Oem Old No	Pcs	Description
	<b>1297 204 071</b>		Kit	SYNCH.KIT 3rd/4th
1	<b>1297 304 369</b>		1	ENGAGING RING
2	<b>1297 304 484</b>	<b>(1297 304 402)</b>	1	SYNCHRONIZING CONE

## SYNCHRONIZER KIT 3rd/4th

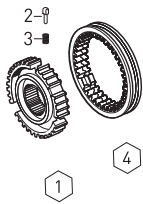


Fig.	. Oem No	Oem Old No	Pcs	Description
	<b>1297 204 069</b>		Kit	SYNCH.KIT 3rd/4th
1	<b>1297 304 446</b>		1	GUIDE SLEEVE
2	<b>1297 304 436</b>		3	PRESSURE PIECE
3	<b>0732 040 409</b>		3	SPRING
4	<b>1310 304 202</b>	<b>(1312 302 057)</b>	1	ENGAGING SLEEVE
		<b>(1310 304 174)</b>		

## SYNCHRONIZER KIT 3rd/4th

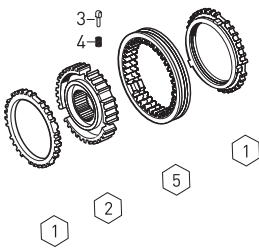


Fig.	. Oem No	Oem Old No	Pcs	Description
	<b>1297 204 054</b>		Kit	SYNCH.KIT 3rd/4th
1	<b>1297 304 484</b>	<b>(1297 304 402)</b>	2	SYNCH.CONE
2	<b>1297 304 446</b>		1	GUIDE SLEEVE
3	<b>1297 304 436</b>		3	PRESSURE PIECE
4	<b>0732 040 409</b>		3	SPRING
5	<b>1310 304 202</b>	<b>(1312 302 057)</b>	1	ENGAGING SLEEVE
		<b>(1310 304 174)</b>		

## SYNCHRONIZER KIT 3rd/4th

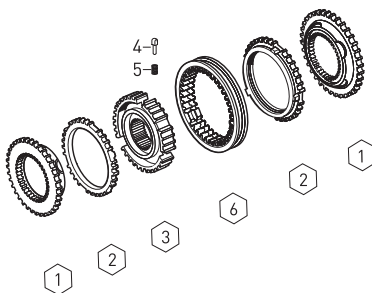


Fig.	. Oem No	Oem Old No	Pcs	Description
	<b>1297 298 959</b>		Kit	SYNCH.KIT 3rd/4th
1	<b>1297 304 369</b>		2	ENGAGING RING
2	<b>1297 304 484</b>	<b>(1297 304 402)</b>	2	SYNCH.CONE
3	<b>1297 304 446</b>		1	GUIDE SLEEVE
4	<b>1297 304 436</b>		3	PRESSURE PIECE
5	<b>0732 040 409</b>		3	SPRING
6	<b>1310 304 202</b>	<b>(1312 302 057)</b>	1	ENGAGING SLEEVE
		<b>(1310 304 174)</b>		

Fig.	. Oem No	Oem Old No	Pcs	Description
	<b>1297 204 070</b>		Kit	SYNCH.KIT 1st/2nd
1	<b>1297 304 371</b>		1	ENGAGING RING
2	<b>1297 304 485</b>	<b>(1297 304 401)</b>	1	SYNCHRONIZING CONE

SYNCHRONIZER KIT 1st/2nd

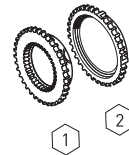


Fig.	o. Oem No	Oem Old No	Pcs	Description
	<b>1297 204 067</b>		Kit	SYNCH.KIT 1st/2nd
1	<b>1297 304 445</b>		1	GUIDE SLEEVE
2	<b>1297 304 436</b>		3	PRESSURE PIECE
3	<b>0732 040 409</b>		3	SPRING
4	<b>1297 304 450</b>	<b>(1297 304 415)</b>	1	ENGAGING SLEEVE

SYNCHRONIZER KIT 1st/2nd

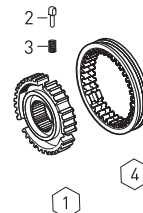


Fig.	. Oem No	Oem Old No	Pcs	Description
	<b>1297 204 053</b>		Kit	SYNCH.KIT 1st/2nd
1	<b>1297 304 485</b>	<b>(1297 304 401)</b>	2	SYNCH.CONE
2	<b>1297 304 445</b>		1	GUIDE SLEEVE
3	<b>1297 304 436</b>		3	PRESSURE PIECE
4	<b>0732 040 409</b>		3	SPRING
5	<b>1297 304 450</b>	<b>(1297 304 415)</b>	1	ENGAGING SLEEVE

SYNCHRONIZER KIT 1st/2nd

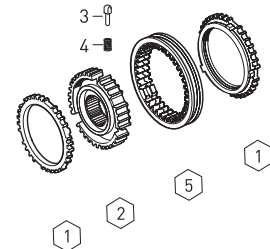


Fig.	. Oem No	Oem Old No	Pcs	Description
	<b>1297 298 957</b>		Kit	SYNCH.KIT 1st/2nd
1	<b>1297 304 371</b>		2	ENGAGING RING
2	<b>1297 304 485</b>	<b>(1297 304 401)</b>	2	SYNCH.CONE
3	<b>1297 304 445</b>		1	GUIDE SLEEVE
4	<b>1297 304 436</b>		3	PRESSURE PIECE
5	<b>0732 040 409</b>		3	SPRING
6	<b>1297 304 450</b>	<b>(1297 304 415)</b>	1	ENGAGING SLEEVE

SYNCHRONIZER KIT 1st/2nd

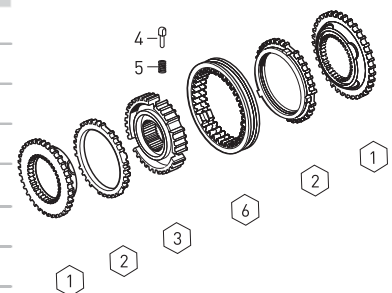
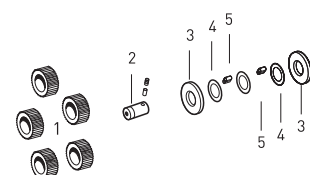


Fig.	. Oem No	Oem Old No	Pcs.	Description
	<b>1297 298 912</b>		Kit A	PLANETARY GEAR KIT
1	<b>1297 232 023</b>	<b>(1297 332 022)</b>	5	PLANETARY GEAR
2	<b>1297 332 109</b>	<b>(1297 332 005)</b>	5	PLANETARY SHAFT
3	<b>0501 306 212</b>		10	THRUST WASHER
4	<b>0730 103 846</b>		15	THRUST WASHER
5	<b>0750 119 109</b>		120	NEEDLE ROLLER (10X16.8)

PLANETARY GEAR KIT



PLANETARY GEAR KIT

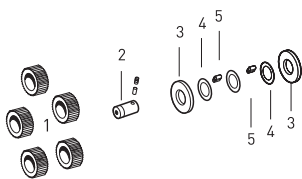


Fig.	. Oem No	Oem Old No	Pcs	Description
	<b>1297 298 919</b>		Kit	PLANETARY GEAR KIT
1	<b>1297 232 024</b>	<b>(1297 332 028)</b>	5	PLANETARY GEAR
2	<b>1297 332 109</b>	<b>(1297 332 005)</b>	5	PLANETARY SHAFT
3	<b>0501 306 212</b>		10	THRUST WASHER
4	<b>0730 103 846</b>		15	THRUST WASHER
5	<b>0750 119 109</b>		120	NEEDLE ROLLER (10X16.8)

SYNCHRONIZER KIT PLANETARY

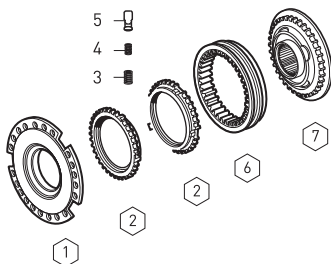


Fig.	. Oem No	Oem Old No	Pcs	Description
	<b>1295 298 939</b>		Kit	SYNCHRONIZER KIT
1	<b>1296 233 006</b>		1	FLANGE
2	<b>1296 333 045</b>	<b>(1296 333 022)</b>	2	SYNCHRONIZING CONE
3	<b>0732 040 385</b>		9	SPRING
4	<b>0732 040 386</b>		9	SPRING
5	<b>1240 304 278</b>		9	PRESSURE PIECE
6	<b>1296 333 023</b>		1	ENGAGING SLEEVE
7	<b>1313 233 001</b>	<b>(1297 233 018)</b>	1	ENGAGING RING

SYNCHRONIZER KIT PLANETARY

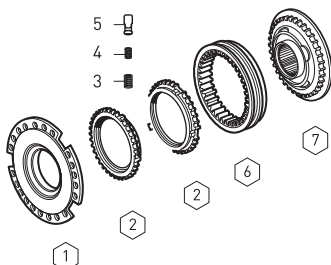


Fig.	. Oem No	Oem Old No	Pcs	Description
	<b>1295 298 962</b>		Kit	SYNCHRONIZER KIT
1	<b>1296 233 006</b>		1	FLANGE
2	<b>1296 333 045</b>	<b>(1296 333 022)</b>	2	SYNCHRONIZING CONE
3	<b>0732 040 385</b>		9	SPRING
4	<b>0732 040 386</b>		9	SPRING
5	<b>1240 304 278</b>		9	PRESSURE PIECE
6	<b>1296 333 023</b>		1	ENGAGING SLEEVE
7	<b>1297 233 056</b>		1	ENGAGING RING

SYNCHRONIZER KIT PLANETARY

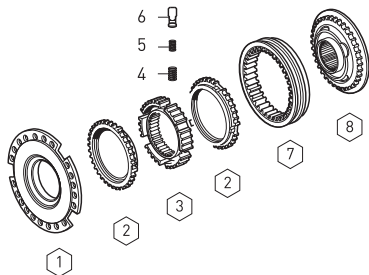


Fig.	. Oem No	Oem Old No	Pc	Description
	<b>1295 298 950</b>		Ki	SYNCHRONIZER KIT
1	<b>1296 233 006</b>		1	FLANGE
2	<b>1296 333 045</b>	<b>(1296 333 022)</b>	2	SYNCHRONIZING CONE
3	<b>1296 333 002</b>		1	GUIDE SLEEVE
4	<b>0732 040 385</b>		9	SPRING
5	<b>0732 040 386</b>		9	SPRING
6	<b>1240 304 278</b>		9	PRESSURE PIECE
7	<b>1296 333 023</b>		1	ENGAGING SLEEVE
8	<b>1313 233 001</b>	<b>(1297 233 018)</b>	1	ENGAGING RING



Fig	Oem No	Oem Old No	Pc	Description
1	1296 313 131		1	RETAINING RING
2	0730 104 627		1	SPLIT RING
3	1296 313 238		1	SLIDING SLEEVE
4	0730 104 628		1	THRUST WASHER
5	1296 313 082		1	GEAR 33 T
5	1296 313 083		1	GEAR 36 T
5	1296 313 084		1	GEAR 38 T
5	1296 313 085		1	GEAR 39 T
5	1296 313 086		1	GEAR 46 T
6	1296 213 028		1	INTERM.SHAFT
7	1296 213 028		1	INTERM.SHAFT (Milled)
8	1296 313 125		1	NUT
9	0735 410 139		1	ROLLER BEARING
1	7429 032 102		1	THRUST WASHER
1	1232 304 062		1	SHIM (1.00mm)
1	1232 304 063		1	SHIM (0.90mm)
1	1232 304 072		1	SHIM (0.70mm)
1	1250 313 190		1	COVER
1	0750 111 341		1	OIL SEAL

P.T.O. (POWERTAKEOFF)

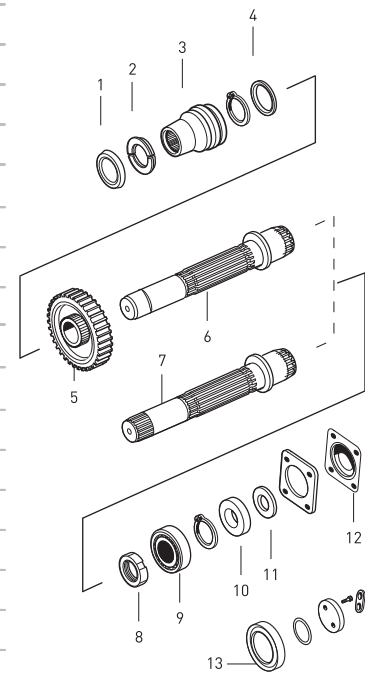


Fig	Oem No	Oem Old No	Pcs	Description
1	K20.01584	1295 298 915	Kit	GASKET KIT
2	1313 301 038		1	GASKET
3	1313 302 014		1	GASKET
4	1313 306 012		1	GASKET
5	1313 307 002		1	GASKET
5	1313 307 020		2	GASKET
5	1313 307 003		1	GASKET
5	1313 307 004		1	GASKET
5	1313 307 022		1	GASKET
6	1313 301 037		1	GASKET
7	1313 301 036		1	GASKET
8	1238 308 201		1	GASKET
9	1313 307 005		1	GASKET
1	1313 307 006		1	GASKET

GEARBOX GASKET KIT

# GEARBOX 16S150

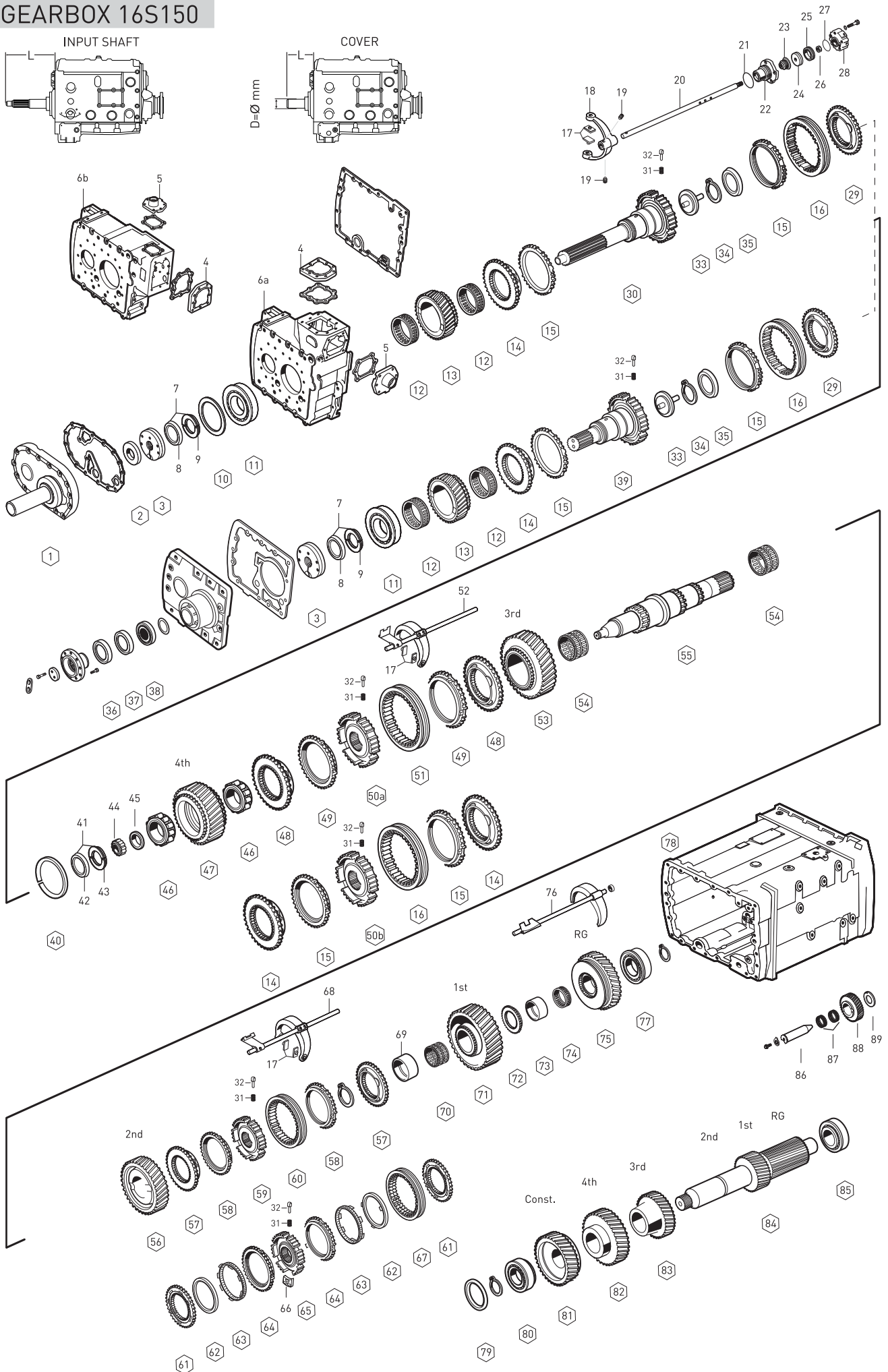


Fig.	Oem No	Oem Old No	Pcs	Description	Sizes	Notes	SG 13.80-0.84	DG 16.47-1.00
1	1312 302 036		1	COVER	L=170 D=60	A	◆	◆
1	1312 302 047		1	COVER	L=170 D=62.6	B	◆	◆
1	1312 302 052		1	COVER	L=180 D=66	A	◆	◆
1	1312 302 054		1	COVER	L=190 D=62	B	◆	◆
1	1312 302 081		1	COVER	L=190 D=60	F	◆	◆
1	1312 302 096		1	COVER	L=147 D=60	C	◆	◆
2	0734 310 387		1	OIL SEAL	55X75X8mm	ABCD	◆	◆
2	0634 310 733		1	OIL SEAL	90X110X13mm	E	◆	◆
3	1295 202 041		1	OIL PUMP			◆	◆
4	1295 307 479		1	COVER			◆	◆
5	1295 307 434		1	COVER			◆	◆
6a	1295 301 294	(1295 301 169)	1	HOUSING		F	◆	◆
6a	1295 301 291	(1295 301 286)	1	HOUSING		F	◆	◆
6b	1296 301 202		1	HOUSING		C	◆	◆
6b	1296 301 205		1	HOUSING		ABCG	◆	◆
6b	1296 301 208		1	HOUSING		D	◆	◆
6b	1296 301 227	(1296 301 228)	1	HOUSING		E	◆	◆
7	1499 298 135		1	SIPLIT RING KIT	4.30mm	{1}	◆	◆
7	1499 298 133		1	SIPLIT RING KIT	4.20mm	{2}	◆	◆
7	1499 298 131		1	SIPLIT RING KIT	4.10mm	{3}	◆	◆
7	1499 298 129		1	SIPLIT RING KIT	4.00mm	{4}	◆	◆
7	1499 298 127		1	SIPLIT RING KIT	3.90mm	{5}	◆	◆
7	1499 298 125		1	SIPLIT RING KIT	3.80mm	{6}	◆	◆
8	0730 061 816		1	RETAINING RING			◆	◆
9	0730 106 168		2	SIPLIT RING	4.30mm		◆	◆
9	0730 106 166		2	SIPLIT RING	4.20mm		◆	◆
9	0730 106 164		2	SIPLIT RING	4.10mm		◆	◆
9	0730 106 162		2	SIPLIT RING	4.00mm		◆	◆
9	0730 106 160		2	SIPLIT RING	3.90mm		◆	◆
9	0730 106 158		2	SIPLIT RING	3.80mm		◆	◆
10	0730 005 748		1	SHIM	0.90mm		◆	◆
10	0730 005 743		1	SHIM	0.65mm		◆	◆
10	2050 309 066		1	SHIM	0.50mm		◆	◆
10	2050 309 067		1	SHIM	0.30mm		◆	◆
10	0730 005 747		1	SHIM	0.25mm		◆	◆
10	2050 309 068		1	SHIM	0.20mm		◆	◆
10	2001673		1	SHIM	0.10mm		◆	◆
11	0750 117 431		1	ROLLER BEARING	75X150X30.5mm		◆	◆
12	0750 115 310		2	NEEDLE CAGE	93X101X25mm		◆	◆
13	1313 302 036		1	CONSTANT GEAR 34 T		ABCDEFG	◆	◆
13	1313 302 035		1	CONSTANT GEAR 30 T		ABCDEF	◆	◆

NOTES :

ABCDEFG alfabetic letters are used in conjunction with the encoded parts.

Alphabetical Coding has been done according to Input Shaft

- (1) This kit includes (1499 298 135) = 2pcs 0730 106 168 + 1pcs 0730 061 816
- (2) This kit includes (1499 298 133) = 2pcs 0730 106 166 + 1pcs 0730 061 816
- (3) This kit includes (1499 298 131) = 2pcs 0730 106 164 + 1pcs 0730 061 816
- (4) This kit includes (1499 298 129) = 2pcs 0730 106 162 + 1pcs 0730 061 816
- (5) This kit includes (1499 298 127) = 2pcs 0730 106 160 + 1pcs 0730 061 816
- (6) This kit includes (1499 298 125) = 2pcs 0730 106 158 + 1pcs 0730 061 816

# GEARBOX 16S150

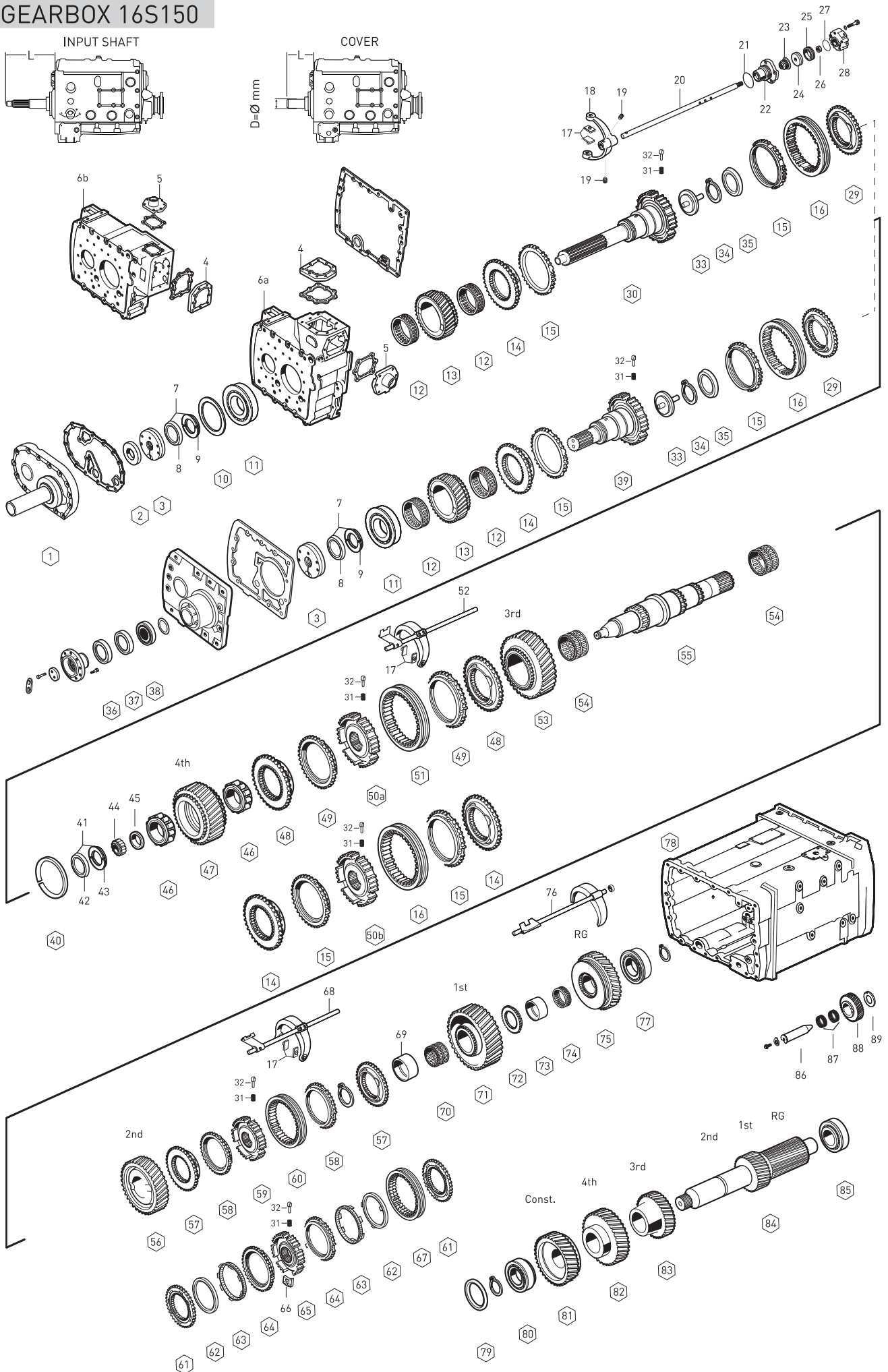


Fig.	Oem No	Oem Old No	Pcs	Description	Sizes	Notes	SO 13.00-0.04	DO 16.47-1.00
14	1312 304 027		1	ENGAGING RING			◆	◆
15	1297 304 484	(1297 304 402)	2	SYNCHRONIZING CONE			◆	◆
16	1310 304 202	(1312 302 057)	1	ENGAGING SLEEVE			◆	◆
		(1310 304 174)						
17	1297 306 120		6	SLIDING PAD			◆	◆
18	1313 312 002		1	G.SHIFT FORK			◆	◆
19	1315 312 047		2	SCREW	M12X1,0mm		◆	◆
20	1312 312 002		1	G.SHIFT RAIL			◆	◆
21	0634 313 671		1	O-RING	80.0X3.0mm		◆	◆
22	1296 312 042	(1296 312 016)	1	CYLINDER			◆	◆
23	0750 112 034		1	FLANGE PACKING	25.0X38.0X14.2mm		◆	◆
24	1312 312 003	(1296 312 056)	1	PISTON			◆	◆
25	0750 112 089		1	DOUBLE PACKING	53.0X63.0X16.2mm		◆	◆
26	0737 006 095		1	NUT	M16X1,5mm		◆	◆
27	0634 314 018		1	O-RING	59.0X2.0mm		◆	◆
28	0750 132 032		1	5/2 WAY VALVE			◆	◆
29	1312 304 056		1	ENGAGING RING			◆	◆
30	1313 202 013		1	INPUT SHAFT	L=286 SAE 2	A	◆	◆
30	1313 202 014		1	INPUT SHAFT	L=310 SAE 2	B	◆	◆
30	1313 202 015		1	INPUT SHAFT	L=260 SAE 2	C	◆	◆
30	1313 202 016		1	INPUT SHAFT		D	◆	◆
30	1313 221 004		1	INPUT SHAFT	L=367,6 SAE 2	E	◆	◆
30	1313 202 018		1	INPUT SHAFT	L=320 SAE 2	F	◆	◆
31	0732 040 409		9	SPRING			◆	◆
32	1297 304 436		9	PRESSURE PIECE			◆	◆
33	1315 302 196		1	OIL PIIPET			◆	◆
34	0630 502 027		1	RETAINING RING	472/50X2mm		◆	◆
35	0501 314 060		1	OIL SEAL			◆	◆
36	0734 300 140		1	OIL SEAL	70X90X10mm	G	◆	◆
37	0634 310 648		1	OIL SEAL	70X90X10mm	G	◆	◆
38	0750 117 651		1	ROLLER BEARING	50X90X24,7mm	G	◆	◆
39	1313 202 019		1	INPUT SHAFT (Short Type)		G	◆	◆
40	0730 005 468		1	RING	4,00mm		◆	◆
40	0730 005 466		1	RING	3,60mm		◆	◆
41	1499 298 027		1	SPLIT RING KIT	5,00mm	(7)	◆	◆
41	1499 298 026		1	SPLIT RING KIT	4,90mm	(8)	◆	◆
41	2001580		1	SPLIT RING KIT	4,85mm	(9)	◆	◆
41	1499 298 025		1	SPLIT RING KIT	4,80mm	(10)	◆	◆
41	1499 298 024		1	SPLIT RING KIT	4,70mm	(11)	◆	◆
41	1499 298 023		1	SPLIT RING KIT	4,60mm	(12)	◆	◆
42	0730 062 781		1	RETAINING RING			◆	◆

**NOTES** :

ABCDEFGG alphabetical letters are used in conjunction with the encoded parts.

Alphabetical Coding has been done according to Input Shaft

(7) This kit includes (1499 298 027) = 2pcs 0730 107 023 + 1pcs 0730 062 781

(8) This kit includes (1499 298 026) = 2pcs 0730 107 022 + 1pcs 0730 062 781

(9) This kit includes (2001580) = 2pcs 2001581 + 1pcs 0730 062 781

(10) This kit includes (1499 298 025) = 2pcs 0730 107 021 + 1pcs 0730 062 781

(11) This kit includes (1499 298 024) = 2pcs 0730 107 020 + 1pcs 0730 062 781

(12) This kit includes (1499 298 023) = 2pcs 0730 107 019 + 1pcs 0730 062 781



# GEARBOX 16S150

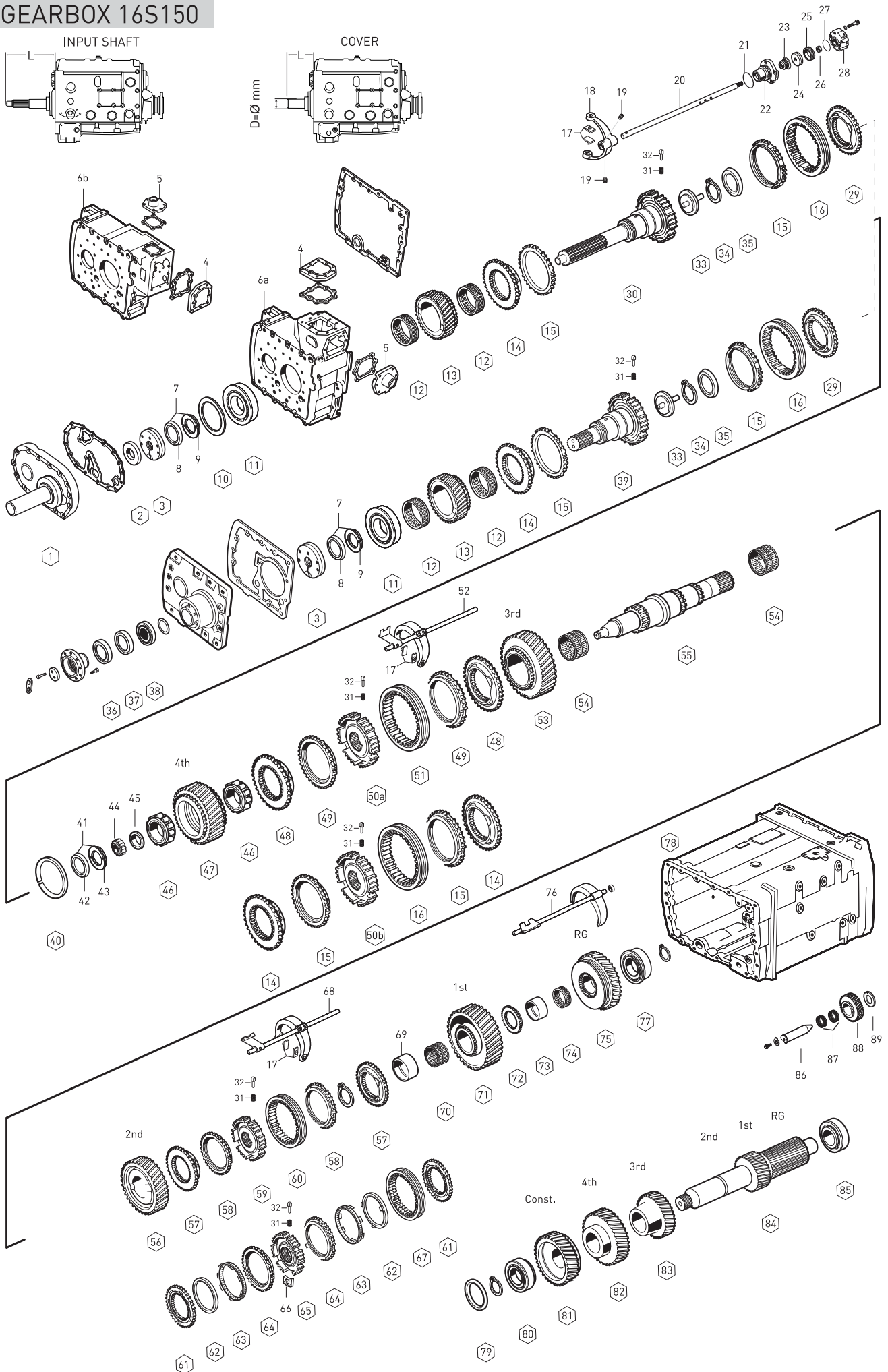


Fig.	Oem No	Oem Old No	Pcs	Description	Sizes	Notes	SG 13.80-0.84	DG 16.47-1.00
43	0730 107 023		2	SIPLIT RING	5.00mm		◆	◆
43	0730 107 022		2	SIPLIT RING	4.90mm		◆	◆
43	2001581		2	SIPLIT RING	4.85mm		◆	◆
43	0730 107 021		2	SIPLIT RING	4.80mm		◆	◆
43	0730 107 020		2	SIPLIT RING	4.70mm		◆	◆
43	0730 107 019		2	SIPLIT RING	4.60mm		◆	◆
44	0750 117 232		1	ROLLER BEARING	42X40.3mm		◆	◆
45	1315 304 048		1	THRUST WASHER	8.00mm		◆	◆
45	1315 304 047		1	THRUST WASHER	7.90mm		◆	◆
45	1315 304 046		1	THRUST WASHER	7.80mm		◆	◆
46	0750 118 198		2	NEEDLE CAGE	67X101X32mm		◆	◆
47	1313 304 005		1	GEAR 4th 30 T		ABCDEFG	◆	
47	1296 304 131		1	GEAR 4th 34 T		ABCDEF		◆
48	1316 304 159	(1316 304 145)	2	ENGAGING RING			◆	◆
14	1312 304 027		2	ENGAGING RING		EF (13)	◆	◆
49	1316 304 168	(1316 304 149)	2	SYNCHRONIZING CONE			◆	◆
15	1297 304 484	(1297 304 402)	2	SYNCHRONIZING CONE		EF (13)	◆	◆
50a	1316 304 162		1	GUIDE SLEEVE			◆	◆
50b	1312 304 052		1	GUIDE SLEEVE		EF (13)	◆	◆
51	1316 304 167	(1315 304 135)	1	ENGAGING SLEEVE			◆	◆
16	1310 304 202	(1312 302 057)	1	ENGAGING SLEEVE		EF (13)	◆	◆
		(1310 304 174)						
52	1313 206 002		1	GEAR SHIT FORK 3rd/4th		ADF	◆	
52	1313 206 011		1	GEAR SHIT FORK 3rd/4th		C	◆	
52	1313 206 005		1	GEAR SHIT FORK 3rd/4th		BE		◆
53	1313 304 080		1	GEAR 3rd 32 T		ABCDEFG	◆	
53	1313 304 081		1	GEAR 3rd 34 T		ABCDEF		◆
54	0735 321 087		2	NEEDLE CAGE	92X100X53mm		◆	◆
55	1315 304 130	(1313 304 072)	1	MAIN SHAFT			◆	◆
56	1313 304 078		1	GEAR 2nd 37 T		ABCDEFG	◆	
56	1313 304 077		1	GEAR 2nd 38 T		ABCDEF		◆
57a	1316 304 156		2	ENGAGING RING			◆	◆
57b	1313 304 009		2	ENGAGING RING		F (14)	◆	◆
58a	1316 304 170	(1316 304 150)	2	SYNCHRONIZING CONE			◆	◆
58b	1297 304 485	(1297 304 401)	2	SYNCHRONIZING CONE		F (14)	◆	◆
59a	1316 304 163		1	GUIDE SLEEVE			◆	◆
59b	1313 304 008		1	GUIDE SLEEVE		F (14)	◆	◆
60a	1316 304 169	(1315 304 136)	1	ENGAGING SLEEVE			◆	◆
60b	1316 304 078		1	ENGAGING SLEEVE		F (14)	◆	◆
61	1312 304 106		2	ENGAGING RING		E (15)	◆	◆
62	1268 304 424		2 /	SYNCHRONIZING CONE		E (15)	◆	◆

NOTES \_\_\_\_\_:

ABCDEFG alfabetic letters are used in conjunction with the encoded parts.

Alphabetical Coding has been done according to Input Shaft

(13) SYNCHRONIZER KIT ASSY.3rd/4th [1315 298 018] is for the version of DAF 16.47-1.00 and LEYLAND 13.80-0.84/16.47-1.00

(14) SYNCHRONIZER KIT ASSY.1st/2nd [1313 298 909] is for the version of LEYLAND 13.80-0.84 / 16.47-1.00 version

(15) SYNCHRONIZER KIT ASSY.1st/2nd [1312 298 911] is for the version of DAF 16.47-1.00  
The kit number [1312 298 911] is an alternatif for synchronizing kits 1313 298 909 and 1315 298 060

16 S 150



# GEARBOX 16S150

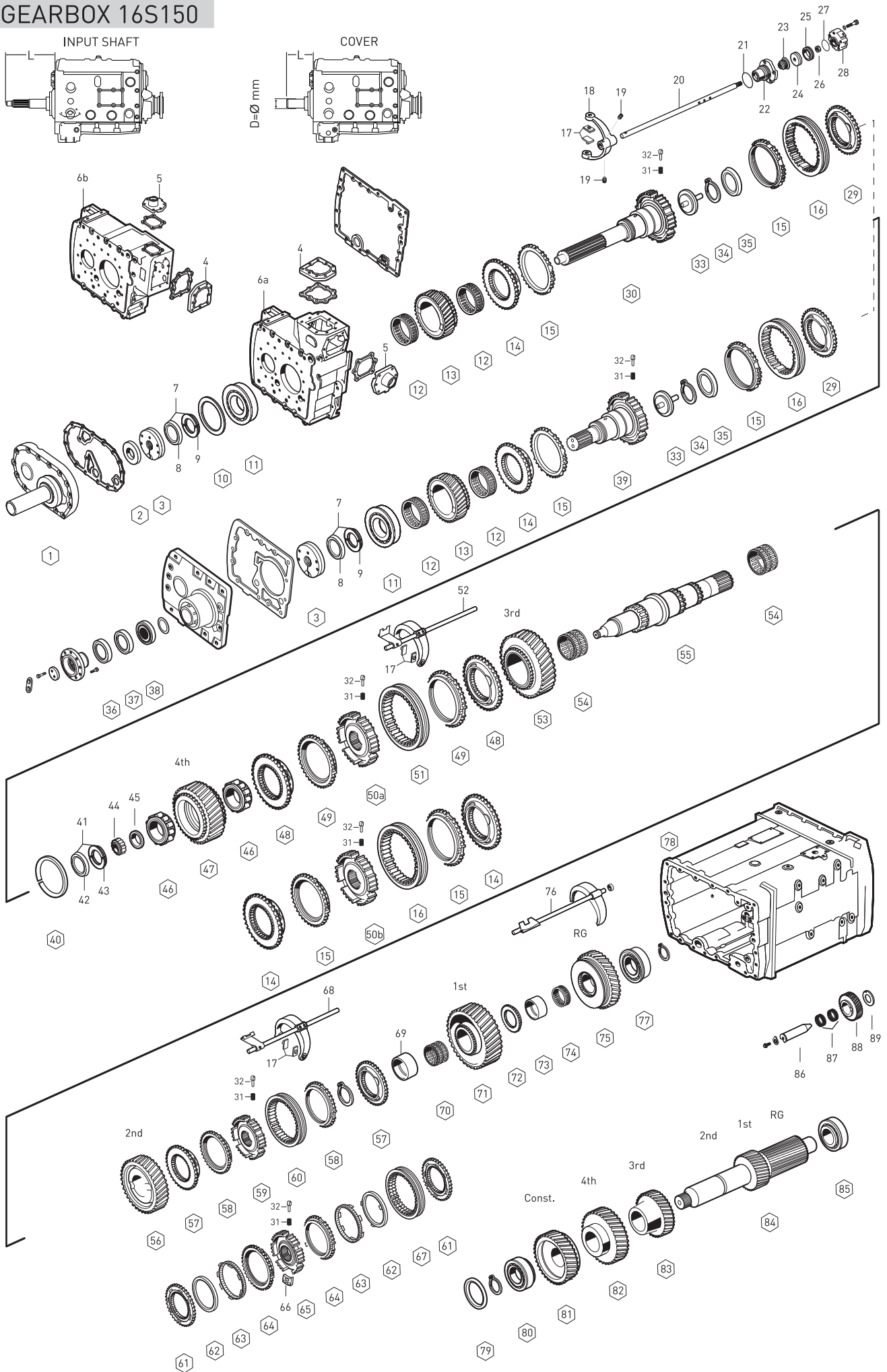


Fig.	Oem No	Oem Old No	Pcs	Description	Sizes	Notes	SG 13.80-0.84	DG 16.47-1.00
63	1268 304 494	(1268 304 491)	2	INTERMEDIATE CONE		E (15)	◆	◆
64	1268 304 525		2	SYNCHRONIZING CONE		E (15)	◆	◆
65	1312 304 158		1	GUIDE SLEEVE		E (15)	◆	◆
66	1312 304 159		3	SLIDING BLOCK		E (15)	◆	◆
67	1310 304 175	(1312 304 157)	1	ENGAGING SLEEVE		E (15)	◆	◆
68	1313 206 001	(1313 206 007)	1	GEAR SHIT FORK 1st/2nd		ADF	◆	
68	1313 206 031	(1313 206 012)	1	GEAR SHIT FORK 1st/2nd		C	◆	
68	1313 206 004	(1313 206 008)	1	GEAR SHIT FORK 1st/2nd		BE		◆
69	1313 304 038		1	BEARING RACE			◆	◆
70	0750 115 325		1	NEEDLE CAGE	96X104X55mm		◆	◆
71	1313 304 039		1	GEAR 1st 44 T		ABCDEFG	◆	
71	1313 304 070	(1313 304 040)	1	GEAR 1st		ABCDEF		◆
72	1313 304 037		1	HUB			◆	◆
73	1315 304 132	(1313 304 036)	1	BEARING RACE			◆	◆
74	0750 115 324		1	NEEDLE CAGE	90X98X41mm		◆	◆
75	1313 304 042		1	REVERSE GEAR 39 T		ABCDEFG	◆	
75	1313 304 041		1	REVERSE GEAR 38 T		ABCDEF		◆
76	1313 206 015	(1313 206 013)	1	GEAR SHIT FORK/RG		ADF	◆	
76	1313 206 026	(1313 206 010)	1	GEAR SHIT FORK/RG		C	◆	
76	1313 206 016	(1313 206 014)	1	GEAR SHIT FORK/RG		BE		◆
77	0750 117 677		1	ROLLER BEARING	80X130X36mm		◆	◆
78	1313 301 071	(1313 301 024)	1	HOUSING		ABDE	◆	◆
78	1313 301 072	(1313 301 023)	1	HOUSING		C	◆	
78	1313 301 073	(1313 301 025)	1	HOUSING		CDEF	◆	◆
79	0730 102 099		1	SHIM	3.00mm		◆	◆
79	0730 102 060		1	SHIM	2.60mm		◆	◆
79	0730 102 068		1	SHIM	2.20mm		◆	◆
79	0730 102 075		1	SHIM	1.85mm		◆	◆
79	2001652		1	SHIM	0.30mm		◆	◆
79	2001653		1	SHIM	0.20mm		◆	◆
79	2001654		1	SHIM	0.10mm		◆	◆
80	0750 117 010		1	ROLLER BEARING	50.8X100X35mm		◆	◆
81	1313 303 004		1	CONSTANT GEAR 37 T		ABCDEFG	◆	
81	1296 303 037		1	CONSTANT GEAR 39 T		ABCDEF		◆
82	1313 303 003		1	GEAR 4th 39 T		ABCDEFG	◆	
82	1296 303 036		1	GEAR 4th 37 T		ABCDEF		◆
83	1313 303 002		1	GEAR 3rd 28 T		ABCDEFG	◆	
83	1296 303 035		1	GEAR 3rd 26 T		ABCDEF		◆
84	1313 303 010		1	COUNTER SHAFT 19-23 T		ABCDEFG	◆	
84	1313 303 011		1	COUNTER SHAFT 17-20 T		ABCDEF		◆
85	0750 117 011		1	ROLLER BEARING	50.8X104.7X39.6mm		◆	◆

NOTES :

ABCDEFGF alfabetic letters are used in conjunction with the encoded parts.

Alphabetical Coding has been done according to Input Shaft

(15) SYNCHRONIZER KIT ASSY.1st/2nd (1312 298 911) is for the version of DAF 16.47-1.00

The kit number (1312 298 911) is an alternatif for synchronizing kits 1313 298 909 and 1315 298 060

16 S 150

# GEARBOX 16S150

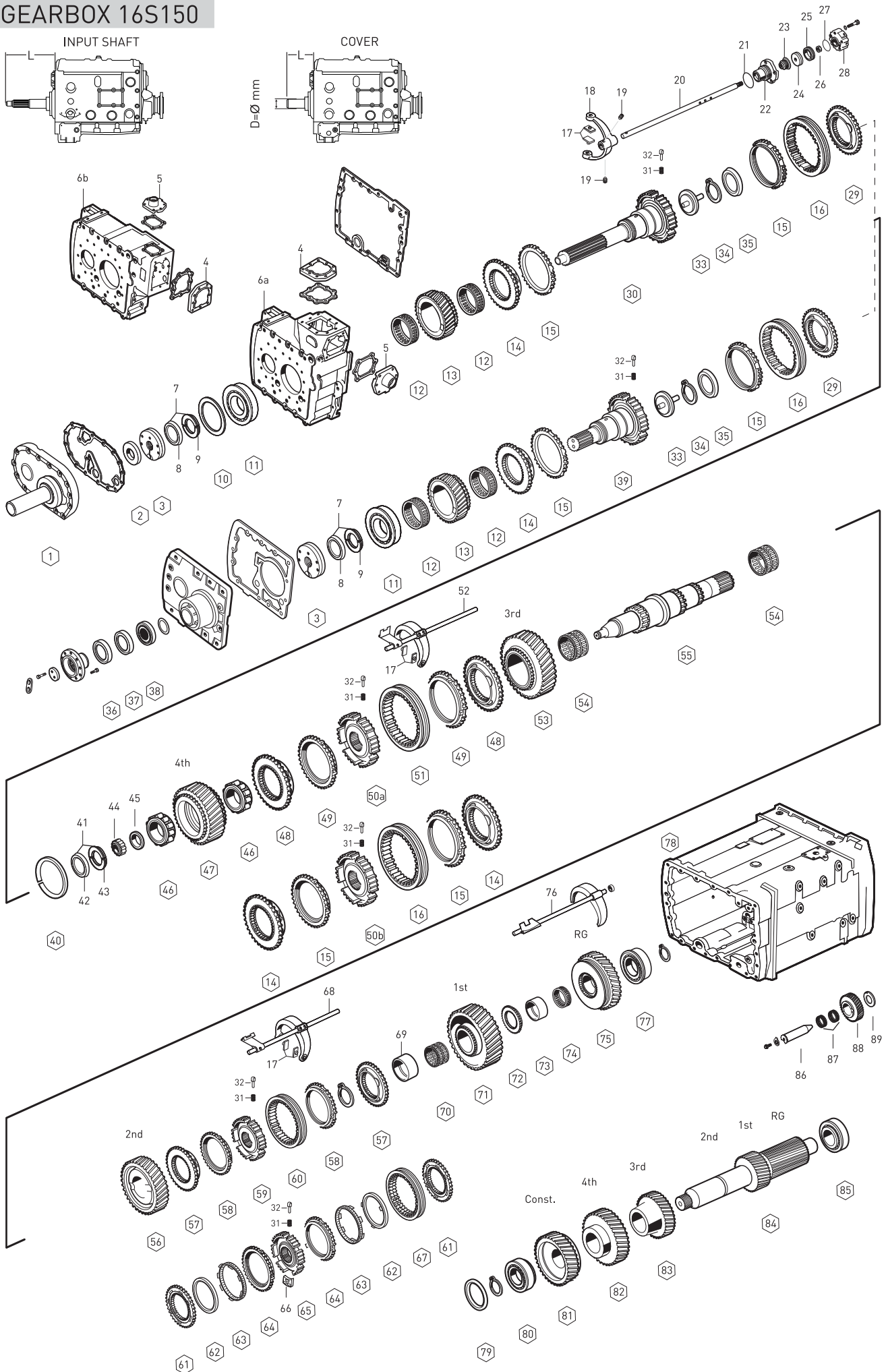


Fig.	Oem No	Oem Old No	Pcs	Description	Sizes	Notes	
86	1295 305 056	(1295 305 008)	1	PIN			◆ ◆
		(1295 305 057)					
87	0750 115 011	(0735 320 042)	2	NEEDLE CAGE	40.0X60.0X26.0mm		◆ ◆
88	1313 305 002		1	REV.IDLER GEAR			◆ ◆
88	1313 305 001		1	REV.IDLER GEAR			◆ ◆
89	0730 150 064		1	THRUST WASHER			◆ ◆

16 S 150

NOTES :

ABCDEFGH alfabetic letters are used in conjunction with the encoded parts.  
 Alphabetical Coding has been done according to Input Shaft

# GEARBOX 16S150

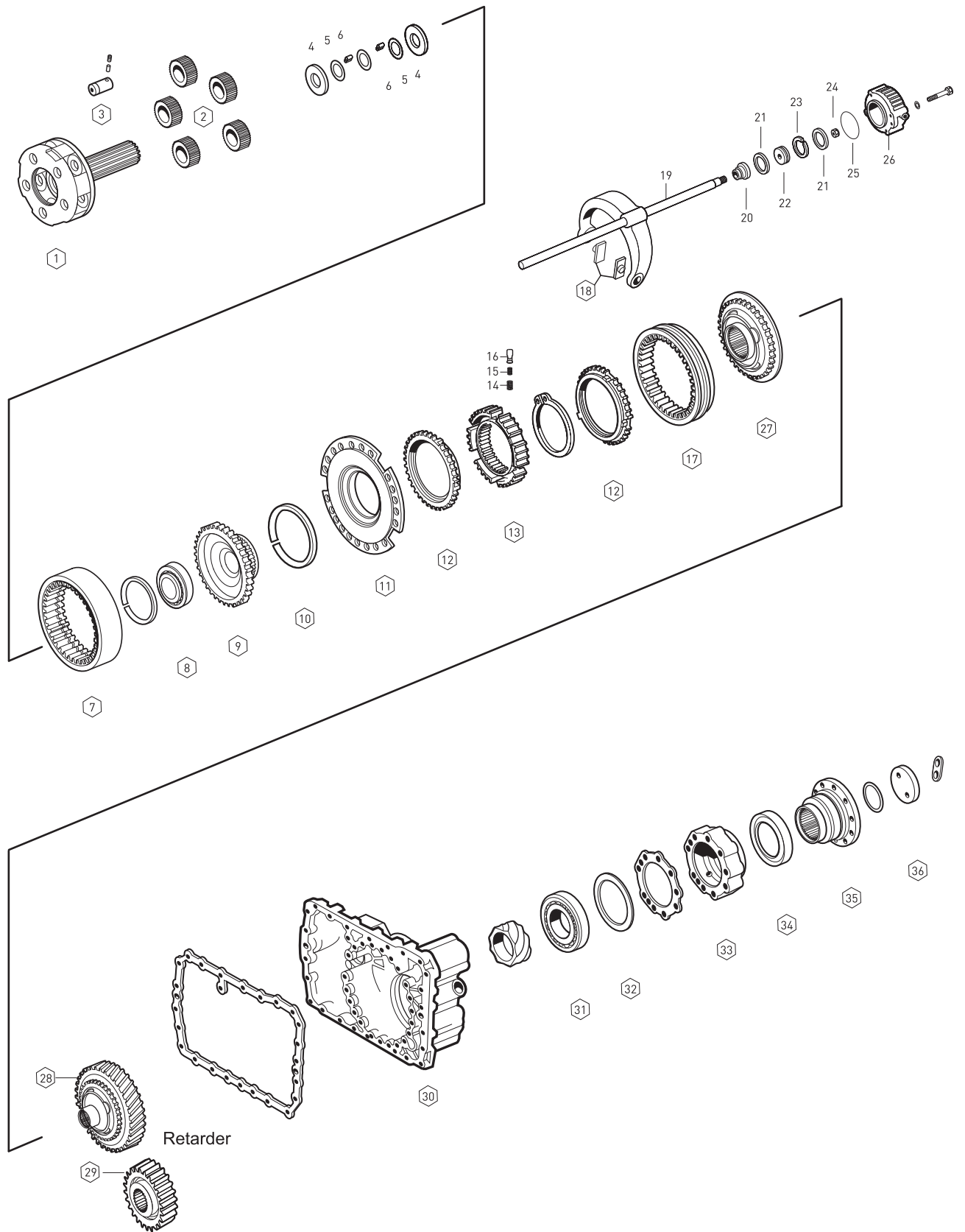


Fig.	Oem No	Oem Old No	Pcs.	Description	Sizes	Notes	SG 13.80-0.84	DG 16.47-1.00
1	1315 232 023		1	PLANETARY CARRIER			◆	◆
2	1313 232 003		5	PLANETARY GEAR SET			◆	◆
3	1296 332 005		5	PLANET SHAFT			◆	◆
4	0501 308 981		10	THRUST WASHER			◆	◆
5	0730 107 168		15	THRUST WASHER			◆	◆
6	0735 470 164		140	NEEDLE ROLLER	10X15mm		◆	◆
7	1295 332 086		1	RING WHEEL 86 T			◆	◆
8	0750 116 165	(0635 338 049)	1	ROLLER BEARING	80X110X16mm		◆	◆
9	1313 332 020		1	CARRIER HUB 86 T			◆	◆
10	0730 505 056	(0730 505 055)	1	SPRING RING	3.20mm		◆	◆
11	1296 233 006		1	FLANGE			◆	◆
12	1296 333 045	(1296 333 022)	2	SYNCHRONIZING CONE			◆	◆
13	1313 333 001		1	GUIDE SLEEVE			◆	◆
14	0732 040 385		9	SPRING			◆	◆
15	0732 040 386		9	SPRING			◆	◆
16	1240 304 278		9	PRESSURE PIECE			◆	◆
17	1296 333 023		1	ENGAGING SLEEVE			◆	◆
18	1296 334 004		2	SLIDING PAD			◆	◆
19	1313 234 011		1	GEAR SHIFT FORK			◆	◆
20	0750 112 034		1	FLANGE PACKING	25.0X38.0X14.2mm		◆	◆
21	0734 317 150	(0750 112 019)	2	SEALING RING	80.0X90.0X4.8mm		◆	◆
22	1296 334 039		1	PISTON			◆	◆
23	0750 112 066		1	GUIDE RING			◆	◆
24	0737 006 095		1	NUT	M16X1.5mm		◆	◆
25	0634 314 019		1	O-RING	94.0X3.0mm		◆	◆
26	1295 334 075		1	CYLINDER			◆	◆
27	1313 233 001	(1297 233 018)	1	ENGAGING RING	38spl.		◆	◆
28	1297 333 118		1	ENGAGING RING	Retarder		◆	◆
29	1297 313 231		1	GEAR	Retarder		◆	◆
30	1296 301 129		1	HOUSING			◆	◆
30	1296 301 133		1	HOUSING			◆	◆
30	1296 301 180		1	HOUSING			◆	◆
30	1313 301 008		1	HOUSING			◆	◆
30	1313 301 009		1	HOUSING			◆	◆
30	1313 301 011		1	HOUSING			◆	◆
31	0750 116 002		1	ROLLER BEARING	90X160X30mm		◆	◆
32	0730 100 115		1	SHIM	0.30mm		◆	◆
32	0730 100 116		1	SHIM	0.20mm		◆	◆
32	2001660		1	SHIM	0.10mm		◆	◆
33	1315 231 002	(1296 301 140)	1	BEARING COVER			◆	◆
34	0750 111 341		1	OIL SEAL	105X130X12mm		◆	◆

NOTES :

16 S 150



# GEARBOX 16S150

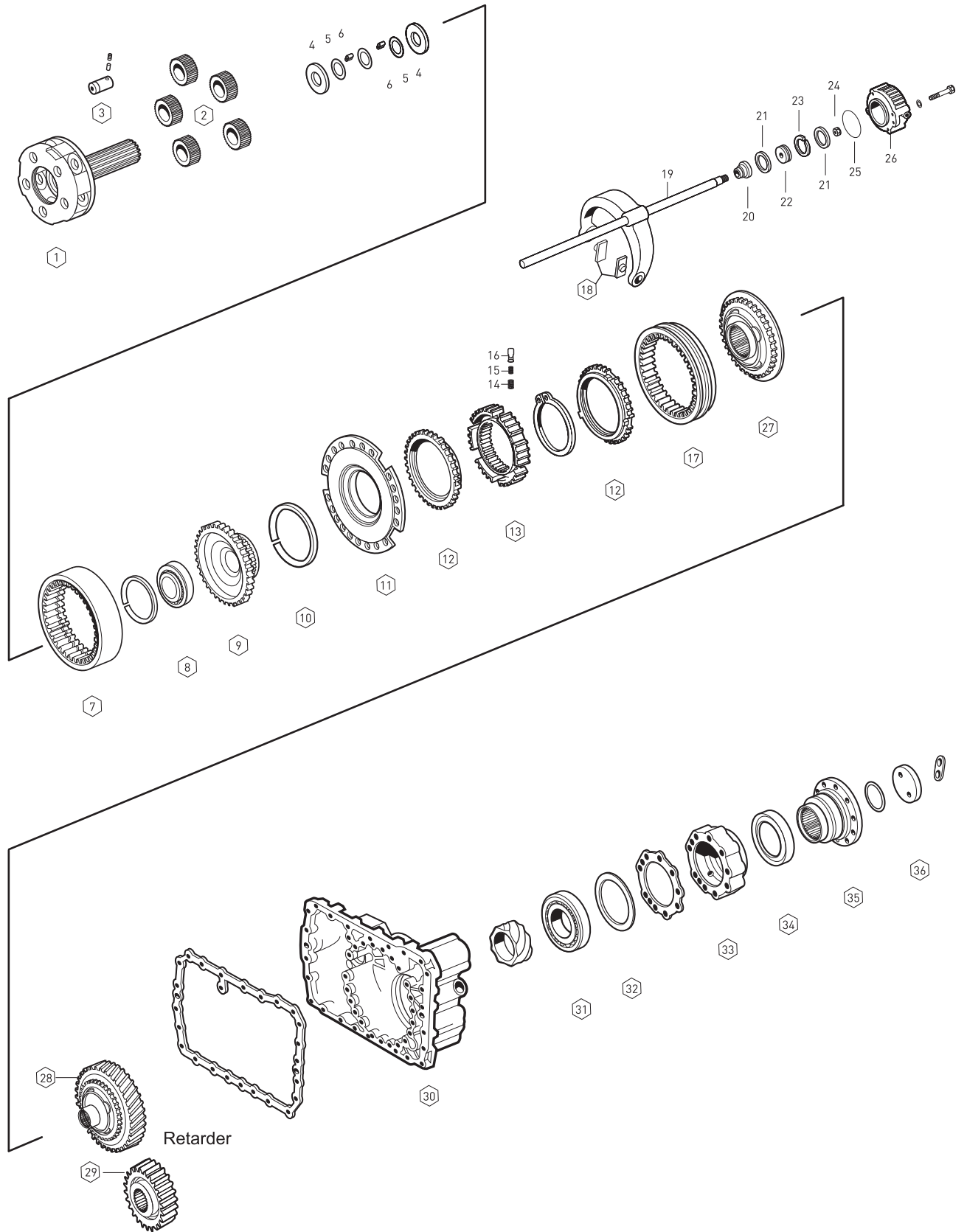




Fig.	Oem No	Oem Old No	Pcs	Description	Sizes	Notes
35	<b>1313 338 002</b>		1	COMPANION FLANGE	4-H, Ø180mm	◆ ◆
35	<b>1313 315 001</b>		1	COMPANION FLANGE	4-H, Ø180mm	◆ ◆
35	<b>1313 338 007</b>		1	COMPANION FLANGE	10-H, Ø180mm	◆ ◆
35	<b>1313 338 011</b>		1	COMPANION FLANGE	12-H, Ø204mm	◆ ◆
36	<b>1295 332 051</b>		1	WASHER		◆ ◆

SG 13.80-0.84  
DG 16.47-1.00

16 S 150

NOTES \_\_\_\_\_ :

## SYNCHRONIZER KIT CONST.

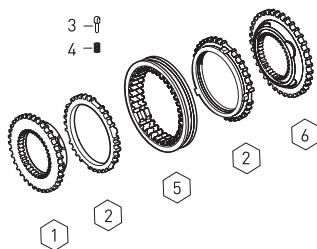


Fig.	o. Oem No	Oem Old No	Pcs	Description
	<b>1297 298 955</b>		Kit	SYNCHRONIZER KIT Const
1	<b>1312 304 027</b>		1	ENGAGING RING
2	<b>1297 304 484</b>	<b>(1297 304 402)</b>	2	SYNCHRONIZING CONE
3	<b>1297 304 436</b>		3	PRESSURE PIECE
4	<b>0732 040 409</b>		3	SPRING
5	<b>1310 304 202</b>	<b>(1312 302 057)</b>	1	ENGAGING SLEEVE
		<b>(1310 304 174)</b>		
6	<b>1312 304 056</b>		1	ENGAGING RING

## SYNCHRONIZER KIT 3rd/4th/CONST.

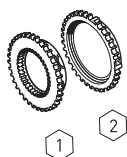


Fig.	o. Oem No	Oem Old No	Pcs	Description
	<b>1312 204 031</b>		Kit	SYNCH.KIT 3rd/4th/Const.
1	<b>1312 304 027</b>		1	ENGAGING RING
2	<b>1297 304 484</b>	<b>(1297 304 402)</b>	1	SYNCHRONIZING CONE

## SYNCHRONIZER KIT 3rd/4th

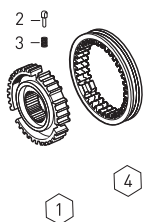


Fig.	o. Oem No	Oem Old No	Pcs	Description
	<b>1312 204 028</b>		Kit	SYNCH.KIT 3rd/4th
1	<b>1312 304 052</b>		1	GUIDE SLEEVE
2	<b>1297 304 436</b>		3	PRESSURE PIECE
3	<b>0732 040 409</b>		3	SPRING
4	<b>1310 304 202</b>	<b>(1312 302 057)</b>	1	ENGAGING SLEEVE
		<b>(1310 304 174)</b>		

## SYNCHRONIZER KIT 3rd/4th

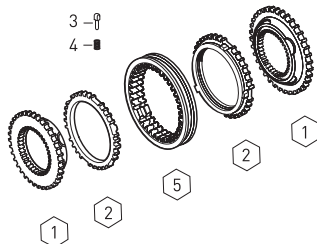


Fig.	o. Oem No	Oem Old No	Pcs	Description
	<b>1315 298 030</b>		Kit	SYNCH.KIT 3rd/4th
1	<b>1312 304 027</b>		2	ENGAGING RING
2	<b>1297 304 484</b>	<b>(1297 304 402)</b>	2	SYNCHRONIZING CONE
3	<b>1297 304 436</b>		3	PRESSURE PIECE
4	<b>0732 040 409</b>		3	SPRING
5	<b>1310 304 202</b>	<b>(1312 302 057)</b>	1	ENGAGING SLEEVE
		<b>(1310 304 174)</b>		

## SYNCHRONIZER KIT 3rd/4th

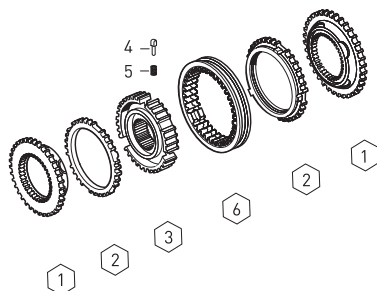


Fig.	. Oem No	Oem Old No	Pcs	Description
	<b>1315 298 018</b>		Kit	SYNCH.KIT 3rd/4th
1	<b>1312 304 027</b>		2	ENGAGING RING
2	<b>1297 304 484</b>	<b>(1297 304 402)</b>	2	SYNCHRONIZING CONE
3	<b>1312 304 052</b>		1	GUIDE SLEEVE
4	<b>1297 304 436</b>		3	PRESSURE PIECE
5	<b>0732 040 409</b>		3	SPRING
6	<b>1310 304 202</b>	<b>(1312 302 057)</b>	1	ENGAGING SLEEVE
		<b>(1310 304 174)</b>		

Fig.	. Oem No	Oem Old No	Pcs	Description
	<b>1315 298 061</b>	<b>(1316 204 016)</b>	Kit	SYNCH.KIT 3rd/4th
1	<b>1316 304 159</b>	<b>(1316 304 145)</b>	2	ENGAGING RING
2	<b>1316 304 168</b>	<b>(1316 304 149)</b>	2	SYNCHRONIZING CONE
3	<b>1316 304 162</b>		1	GUIDE SLEEVE
4	<b>1297 304 436</b>		3	PRESSURE PIECE
5	<b>0732 040 409</b>		3	SPRING
6	<b>1316 304 167</b>	<b>(1315 304 135)</b>	1	ENGAGING SLEEVE

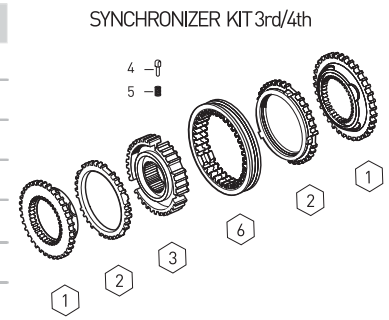


Fig.	o. Oem No	Oem Old No	Pcs	Description
	<b>1316 204 014</b>		Kit	SYNCH.KIT 3rd/4th
1	<b>1316 304 168</b>	<b>(1316 304 149)</b>	2	SYNCHRONIZING CONE
2	<b>1316 304 162</b>		1	GUIDE SLEEVE
3	<b>1297 304 436</b>		3	PRESSURE PIECE
4	<b>0732 040 409</b>		3	SPRING
5	<b>1316 304 167</b>	<b>(1315 304 135)</b>	1	ENGAGING SLEEVE



Fig.	. Oem No	Oem Old No	Pcs	Description
	<b>1313 204 009</b>		Kit	SYNCH.KIT 1st/2nd
1	<b>1313 304 009</b>		1	ENGAGING RING
2	<b>1297 304 485</b>	<b>(1297 304 401)</b>	1	SYNCHRONIZING CONE



Fig.	. Oem No	Oem Old No	Pcs	Description
	<b>1313 204 008</b>		Kit	SYNCH.KIT 1st/2nd
1	<b>1313 304 008</b>		1	GUIDE SLEEVE
2	<b>1297 304 436</b>		3	PRESSURE PIECE
3	<b>0732 040 409</b>		3	SPRING
4	<b>1316 304 078</b>		1	ENGAGING SLEEVE



Fig.	. Oem No	Oem Old No	Pcs	Description
	<b>1313 204 003</b>		Kit	SYNCH.KIT 1st/2nd
1	<b>1297 304 485</b>	<b>(1297 304 401)</b>	2	SYNCH.CONE
2	<b>1313 304 008</b>		1	GUIDE SLEEVE
3	<b>1297 304 436</b>		3	PRESSURE PIECE
4	<b>0732 040 409</b>		3	SPRING
5	<b>1316 304 078</b>		1	ENGAGING SLEEVE



## SYNCHRONIZER KIT 1st/2nd

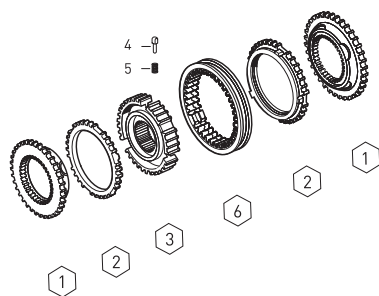


Fig.	o. Oem No	Oem Old No	Pcs	Description
	<b>1313 298 909</b>		Kit	SYNCH.KIT 1st/2nd
1	<b>1313 304 009</b>		2	ENGAGING RING
2	<b>1297 304 485</b>	<b>(1297 304 401)</b>	2	SYNCH.CONE
3	<b>1313 304 008</b>		1	GUIDE SLEEVE
4	<b>1297 304 436</b>		3	PRESSURE PIECE
5	<b>0732 040 409</b>		3	SPRING
6	<b>1316 304 078</b>		1	ENGAGING SLEEVE

## SYNCHRONIZER KIT 1st/2nd

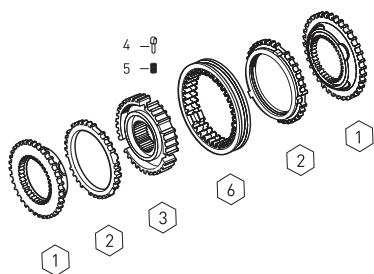


Fig.	o. Oem No	Oem Old No	Pcs	Description
	<b>1315 298 060</b>	<b>(1316 204 017)</b>	Kit	SYNCH.KIT 1st/2nd
1	<b>1316 304 156</b>		2	ENGAGING RING
2	<b>1316 304 170</b>	<b>(1316 304 150)</b>	2	SYNCH.CONE
3	<b>1316 304 163</b>		1	GUIDE SLEEVE
4	<b>1297 304 436</b>		3	PRESSURE PIECE
5	<b>0732 040 409</b>		3	SPRING
6	<b>1316 304 169</b>	<b>(1315 304 136)</b>	1	ENGAGING SLEEVE

## SYNCHRONIZER KIT 1st/2nd

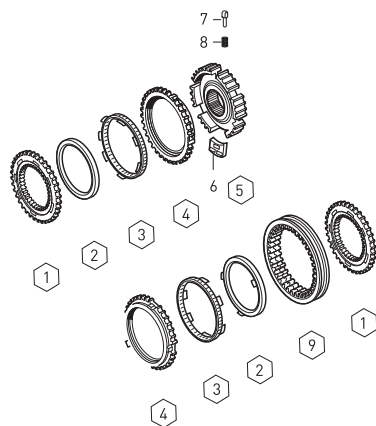


Fig.	o. Oem No	Oem Old No	Pcs	Description
	<b>1315 204 006</b>	<b>(1312 298 911)</b>	Kit	SYNCH.KIT 1st/2nd
1	<b>1312 304 106</b>		2	ENGAGING RING
2	<b>1268 304 424</b>		2	SYNCHRONIZING CONE
3	<b>1268 304 494</b>	<b>(1268 304 491)</b>	2	INTERMEDIATE CONE
4	<b>1268 304 525</b>		2	SYNCHRONIZING CONE
5	<b>1312 304 158</b>		1	GUIDE SLEEVE
6	<b>1312 304 159</b>		3	SLIDING BLOCK
7	<b>1297 304 436</b>		3	PRESSURE PIECE
8	<b>0732 040 409</b>		3	SPRING
9	<b>1310 304 175</b>	<b>(1312 304 157)</b>	1	ENGAGING SLEEVE

## SYNCHRONIZER KIT PLANETARY

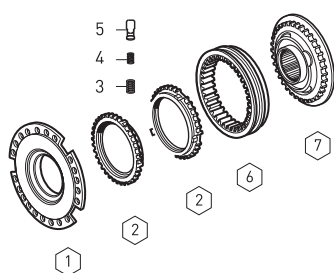


Fig.	o. Oem No	Oem Old No	Pcs	Description
	<b>1295 298 939</b>		Kit	SYNCHRONIZER KIT
1	<b>1296 233 006</b>		1	FLANGE
2	<b>1296 333 045</b>	<b>(1296 333 022)</b>	2	SYNCHRONIZING CONE
3	<b>0732 040 385</b>		9	SPRING
4	<b>0732 040 386</b>		9	SPRING
5	<b>1240 304 278</b>		9	PRESSURE PIECE
6	<b>1296 333 023</b>		1	ENGAGING SLEEVE
7	<b>1313 233 001</b>	<b>(1297 233 018)</b>	1	ENGAGING RING

Fig.	o. Oem No	Oem Old No	Pcs	Description
	1315 233 029		Kit	SYNCHRONIZER KIT
1	1296 333 045	(1296 333 022)	2	SYNCHRONIZING CONE
2	1313 333 001		1	GUIDE SLEEVE
3	0732 040 385		9	SPRING
4	0732 040 386		9	SPRING
5	1240 304 278		9	PRESSURE PIECE
6	1296 333 023		1	ENGAGING SLEEVE

#### SYNCHRONIZER KIT PLANETARY

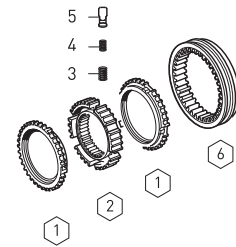
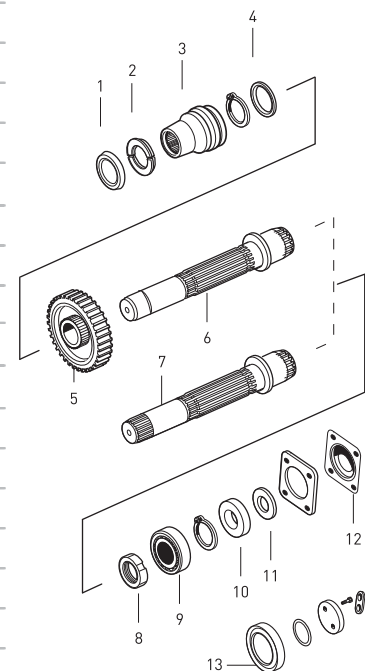


Fig.	o. Oem No	Oem Old No	Pcs	Description
1	K20.01584	1295 298 915	Kit	GASKET KIT
2	1313 301 038		1	GASKET
3	1313 302 014		1	GASKET
4	1313 306 012		1	GASKET
5	1313 307 002		1	GASKET
5	1313 307 020		2	GASKET
5	1313 307 003		1	GASKET
5	1313 307 004		1	GASKET
5	1313 307 022		1	GASKET
6	1313 301 037		1	GASKET
7	1313 301 036		1	GASKET
8	1238 308 201		1	GASKET
9	1313 307 005		1	GASKET
10	1313 307 006		1	GASKET

#### GEARBOX GASKET KIT

Fig.	o. Oem No	Oem Old No	Pcs	Description
1	1296 313 131		1	RETAINING RING
2	0730 104 627		1	SPLIT RING
3	1296 313 238		1	SLIDING SLEEVE
4	0730 104 628		1	THRUST WASHER
5	1296 313 082		1	GEAR 33 T
5	1296 313 083		1	GEAR 36 T
5	1296 313 084		1	GEAR 38 T
5	1296 313 085		1	GEAR 39 T
5	1296 313 086		1	GEAR 46 T
6	1296 213 028		1	INTERM.SHAFT
7	1296 213 028		1	INTERM.SHAFT (Milled)
8	1296 313 125		1	NUT
9	0735 410 139		1	ROLLER BEARING
10	7429 032 102		1	THRUST WASHER
11	1232 304 062		1	SHIM (1.00mm)
11	1232 304 063		1	SHIM (0.90mm)
11	1232 304 072		1	SHIM (0.70mm)
12	1250 313 190		1	COVER
13	0750 111 341		1	OIL SEAL

#### P.T.O. (POWER TAKE OFF)



# GEARBOX 16S220

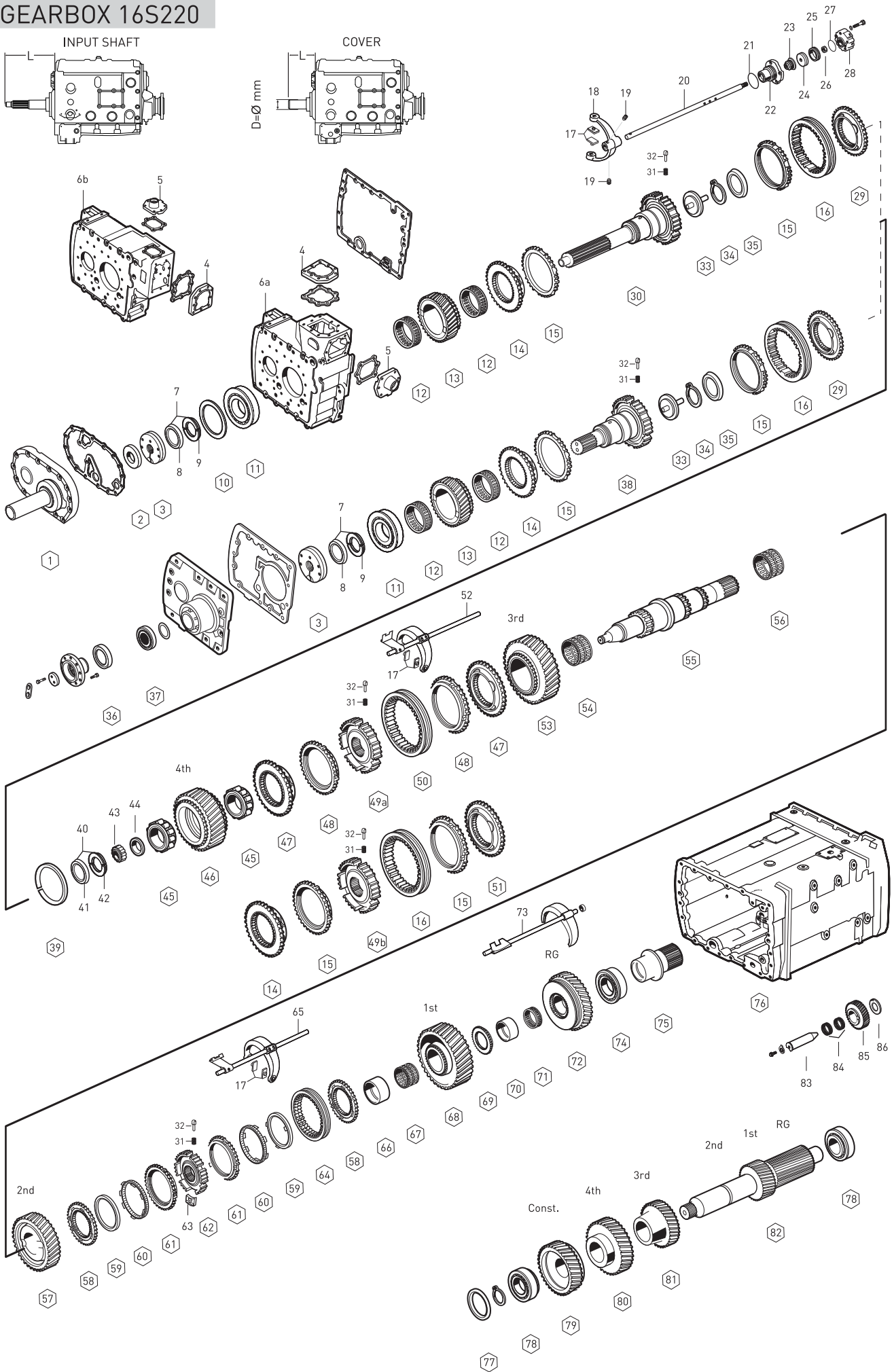


Fig.	Oem No	Oem Old No	Pcs	Description	Sizes	Notes	SG 10.14-0.72	SG 13.80-0.84	DG 16.47-1.00
1	1312 302 096		1	COVER	L=147 D=60	A	◆	◆	◆
1	1312 302 036		1	COVER	L=170 D=60	BD	◆	◆	◆
1	1312 302 044		1	COVER	L=190 D=62.6	BC	◆	◆	◆
1	1312 302 047		1	COVER	L=170 D=62.6	C	◆	◆	◆
2	0734 310 387		1	OIL SEAL	55X75X8mm	ABCD	◆	◆	◆
2	0634 310 733		1	OIL SEAL	90X110X13mm	E	◆	◆	◆
3	1295 202 041		1	OIL PUMP			◆	◆	◆
4	1295 307 479		1	COVER			◆	◆	◆
5	1295 307 434		1	COVER			◆	◆	◆
6b	1312 301 020	(1312 301 006)	1	HOUSING		A	◆	◆	◆
6b	1312 301 021	(1312 301 007)	1	HOUSING		B	◆	◆	◆
6a	1312 301 033	(1312 301 009)	1	HOUSING		C	◆	◆	◆
6a	1312 301 034		1	HOUSING		D	◆	◆	◆
6b	1312 301 055		1	HOUSING		E	◆	◆	◆
7	1499 298 135		1	SIPLIT RING KIT	4.30mm	(1)	◆	◆	◆
7	1499 298 133		1	SIPLIT RING KIT	4.20mm	(2)	◆	◆	◆
7	1499 298 131		1	SIPLIT RING KIT	4.10mm	(3)	◆	◆	◆
7	1499 298 129		1	SIPLIT RING KIT	4.00mm	(4)	◆	◆	◆
7	1499 298 127		1	SIPLIT RING KIT	3.90mm	(5)	◆	◆	◆
7	1499 298 125		1	SIPLIT RING KIT	3.80mm	(6)	◆	◆	◆
8	0730 061 816		1	RETAINING RING			◆	◆	◆
9	0730 106 168		2	SIPLIT RING	4.30mm		◆	◆	◆
9	0730 106 166		2	SIPLIT RING	4.20mm		◆	◆	◆
9	0730 106 164		2	SIPLIT RING	4.10mm		◆	◆	◆
9	0730 106 162		2	SIPLIT RING	4.00mm		◆	◆	◆
9	0730 106 160		2	SIPLIT RING	3.90mm		◆	◆	◆
9	0730 106 158		2	SIPLIT RING	3.80mm		◆	◆	◆
10	0730 005 748		1	SHIM	0.90mm		◆	◆	◆
10	0730 005 743		1	SHIM	0.65mm		◆	◆	◆
10	2050 309 066		1	SHIM	0.50mm		◆	◆	◆
10	2050 309 067		1	SHIM	0.30mm		◆	◆	◆
10	0730 005 747		1	SHIM	0.25mm		◆	◆	◆
10	2050 309 068		1	SHIM	0.20mm		◆	◆	◆
10	2001673		1	SHIM	0.10mm		◆	◆	◆
11	0750 117 431		1	ROLLER BEARING	75X150X30.5mm		◆	◆	◆
12	0735 320 950		2	NEEDLE CAGE	93X101X32.5mm		◆	◆	◆
13	1312 302 077		1	CONSTANT GEAR 28 T		A	◆	◆	◆
13	1312 302 073		1	CONSTANT GEAR 34 T		ABCDEF	◆	◆	◆
13	1312 302 074		1	CONSTANT GEAR 30 T		ABCF	◆	◆	◆
14	1312 304 027		1	ENGAGING RING			◆	◆	◆
15	1297 304 484	(1297 304 402)	2	SYNCHRONIZING CONE			◆	◆	◆

**NOTES :**

ABCDEF alphabetic letters are used in conjunction with the encoded parts.

Alphabetical Coding has been done according to Input Shaft

(1) This kit includes [1499 298 135] = 2pcs 0730 106 168 + 1pcs 0730 061 816

(2) This kit includes [1499 298 133] = 2pcs 0730 106 166 + 1pcs 0730 061 816

(3) This kit includes [1499 298 131] = 2pcs 0730 106 164 + 1pcs 0730 061 816

(4) This kit includes [1499 298 129] = 2pcs 0730 106 162 + 1pcs 0730 061 816

(5) This kit includes [1499 298 127] = 2pcs 0730 106 160 + 1pcs 0730 061 816

(6) This kit includes [1499 298 125] = 2pcs 0730 106 158 + 1pcs 0730 061 816

16 S 220



# GEARBOX 16S220

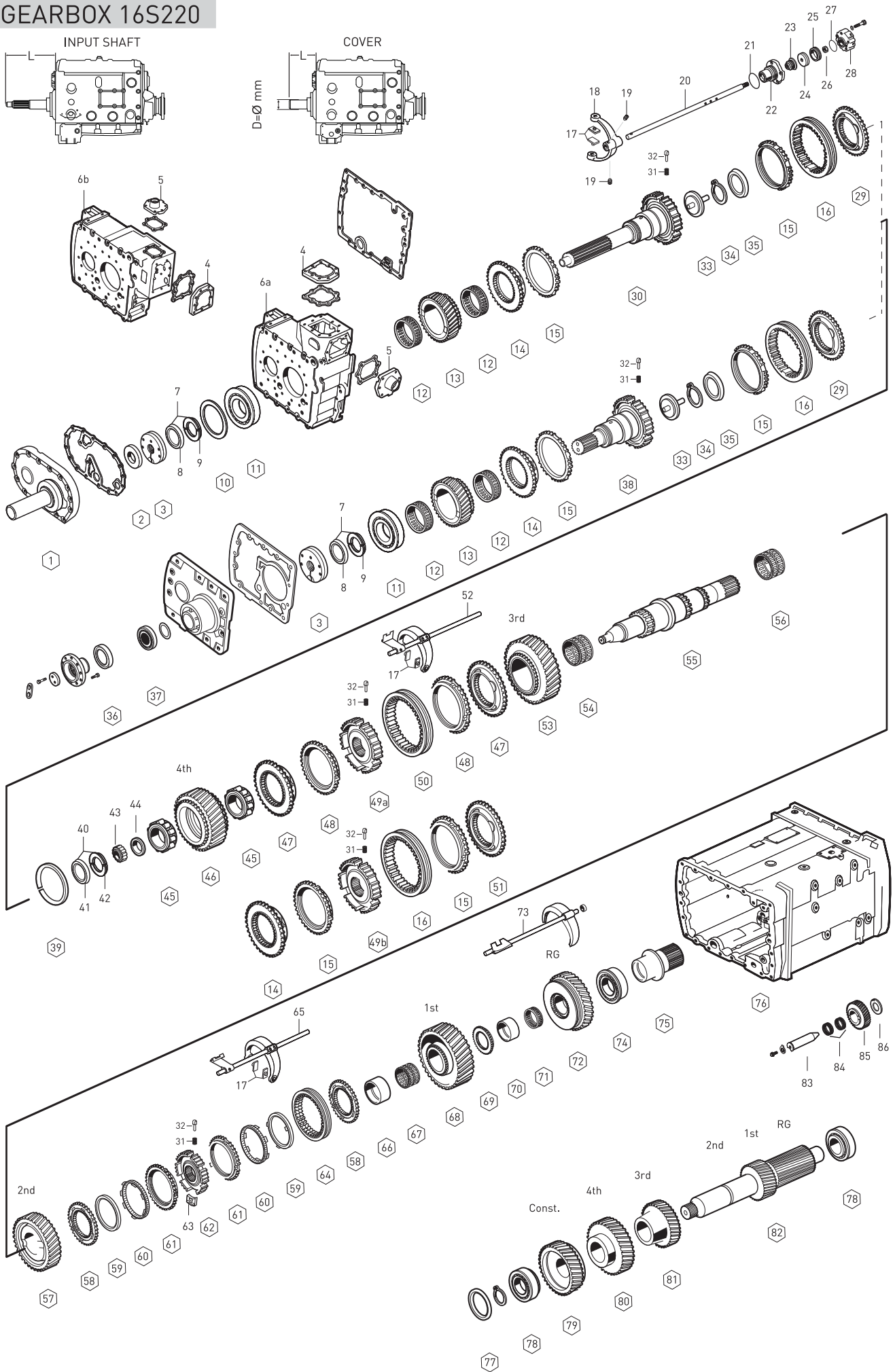


Fig	Oem No	Oem Old No	Pcs	Description	Sizes	Notes	SG 10.14-0.72	SG 13.80-0.84	DG 16.47-1.00
16	1310 304 202	(1312 302 057)	1	ENGAGING SLEEVE			◆	◆	◆
		(1310 304 174)							
17	1297 306 120		6	SLIDING PAD			◆	◆	◆
18	1313 312 002		1	G.SHIFT FORK			◆	◆	◆
19	1315 312 047		2	SCREW	M12X1.0mm		◆	◆	◆
20	1312 312 001		1	G.SHIFT RAIL			◆	◆	◆
21	0634 313 671		1	O-RING	80.0X3.0mm		◆	◆	◆
22	1296 312 042	(1296 312 016)	1	CYLINDER			◆	◆	◆
23	0750 112 034		1	FLANGE PACKING	25.0X38.0X14.2mm		◆	◆	◆
24	1312 312 003	(1296 312 056)	1	PISTON			◆	◆	◆
25	0750 112 089		1	DOUBLE PACKING	53.0X63.0X16.2mm		◆	◆	◆
26	0737 006 095		1	NUT	M16X1.5mm		◆	◆	◆
27	0634 314 018		1	O-RING	59.0X2.0mm		◆	◆	◆
28	0750 132 033		1	5/2 WAY VALVE			◆	◆	◆
29	1312 304 056		1	ENGAGING RING			◆	◆	◆
30	1312 202 036	(1312 202 030)	1	INPUT SHAFT	L=260 SAE 2	A	◆	◆	◆
30	1312 202 037	(1312 202 026)	1	INPUT SHAFT	L=320 SAE 2	B		◆	◆
30	1312 202 038	(1312 202 029)	1	INPUT SHAFT	L=310 SAE 2	C		◆	◆
30	1312 202 039	(1312 202 028)	1	INPUT SHAFT	L=286 SAE 2	D		◆	
30	1312 221 003	(1312 202 002)	1	INPUT SHAFT	L=397.6 SAE 2	E		◆	
31	0732 040 409		9	SPRING			◆	◆	◆
32	1297 304 436		9	PRESSURE PIECE			◆	◆	◆
33	1315 302 196		1	OIL PIPET			◆	◆	◆
34	0630 502 027		1	RETANING RING	472/50X2mm		◆	◆	◆
35	0501 314 060		1	OIL SEAL			◆	◆	◆
36	0734 319 276		1	OIL SEAL	75X105X14mm	F		◆	◆
37	0750 117 312		1	ROLLER BEARING	50.8X104.7X30.1mm	F		◆	◆
38	1312 202 041	(1312 202 031)	1	INPUT SHAFT (Short Type)		F		◆	◆
39	0730 005 468		1	RING	4.00mm		◆	◆	◆
39	0730 005 466		1	RING	3.60mm		◆	◆	◆
40	1499 298 027		1	SIPLIT RING KIT	5.00mm	(7)	◆	◆	◆
40	1499 298 026		1	SIPLIT RING KIT	4.90mm	(8)	◆	◆	◆
40	2001580		1	SIPLIT RING KIT	4.85mm	(9)	◆	◆	◆
40	1499 298 025		1	SIPLIT RING KIT	4.80mm	(10)	◆	◆	◆
40	1499 298 024		1	SIPLIT RING KIT	4.70mm	(11)	◆	◆	◆
40	1499 298 023		1	SIPLIT RING KIT	4.60mm	(12)	◆	◆	◆
41	0730 062 781		1	RETAINING RING			◆	◆	◆
42	0730 107 023		2	SIPLIT RING	5.00mm		◆	◆	◆
42	0730 107 022		2	SIPLIT RING	4.90mm		◆	◆	◆
42	2001581		2	SIPLIT RING	4.85mm		◆	◆	◆
42	0730 107 021		2	SIPLIT RING	4.80mm		◆	◆	◆

NOTES :

ABCDEF alphabetic letters are used in conjunction with the encoded parts.

Alphabetical Coding has been done according to Input Shaft

(7) This kit includes (1499 298 027) = 2pcs 0730 107 023 + 1pcs 0730 062 781

(8) This kit includes (1499 298 026) = 2pcs 0730 107 022 + 1pcs 0730 062 781

(9) This kit includes (2001580) = 2pcs 2001581 + 1pcs 0730 062 781

(10) This kit includes (1499 298 025) = 2pcs 0730 107 021 + 1pcs 0730 062 781

(11) This kit includes (1499 298 024) = 2pcs 0730 107 020 + 1pcs 0730 062 781

(12) This kit includes (1499 298 023) = 2pcs 0730 107 019 + 1pcs 0730 062 781

16 S 220

# GEARBOX 16S220

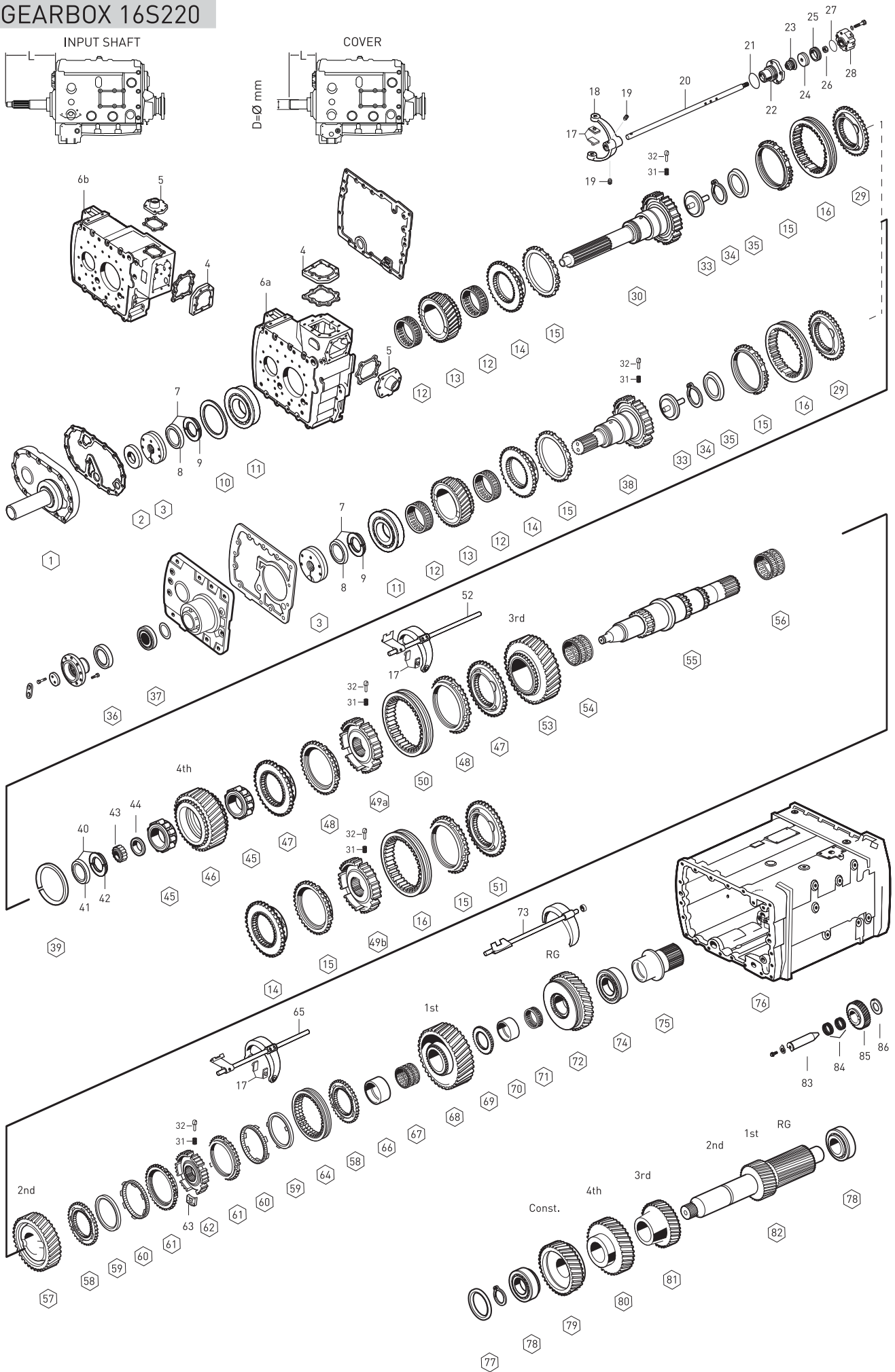


Fig.	Oem No	Oem Old No	Pcs	Description	Sizes	Notes	SG 10.14-0.72	SG 13.80-0.84	DG 16.47-1.00
42	0730 107 020		2	SIPLIT RING	4.70mm		◆	◆	◆
42	0730 107 019		2	SIPLIT RING	4.60mm		◆	◆	◆
43	0750 117 232		1	ROLLER BEARING	42X40.3mm		◆	◆	◆
44	1315 304 048		1	THRUST WASHER	8.00mm		◆	◆	◆
44	1315 304 047		1	THRUST WASHER	7.90mm		◆	◆	◆
44	1315 304 046		1	THRUST WASHER	7.80mm		◆	◆	◆
45	0750 118 258		2	ROLLER BEARING	67X101X38mm		◆	◆	◆
46	1312 304 029		1	GEAR 4th 30 T		A	◆		
46	1312 304 032		1	GEAR 4th 30 T		ABCDEF		◆	
46	1312 304 031		1	GEAR 4th 34 T		ABCF			◆
47	1316 304 159	(1316 304 145)	2	ENGAGING RING				◆	◆
14	1312 304 027		1	ENGAGING RING			◆		
48	1316 304 168	(1316 304 149)	2	SYNCHRONIZING CONE				◆	◆
15	1297 304 484	(1297 304 402)	2	SYNCHRONIZING CONE			◆		
49a	1316 304 162		1	GUIDE SLEEVE				◆	◆
49b	1312 304 052		1	GUIDE SLEEVE			◆		
50	1316 304 167	(1315 304 135)	1	ENGAGING SLEEVE				◆	◆
16	1310 304 202	(1312 302 057)	1	ENGAGING SLEEVE			◆		
		(1310 304 174)							
51	1312 304 080		1	ENGAGING RING			◆		
52	1312 206 045		1	GEAR SHIT FORK 3rd/4th		A	◆		
52	1312 206 026		1	GEAR SHIT FORK 3rd/4th		ABCE		◆	◆
52	1312 206 025		1	GEAR SHIT FORK 3rd/4th		DC		◆	
53	1312 304 075		1	GEAR 3rd 25 T		A	◆		
53	1312 304 137		1	GEAR 3rd 32 T		ABCDEF		◆	
53	1312 304 136		1	GEAR 3rd 34 T		ABCF			◆
54	0735 320 451		1	NEEDLE CAGE	82X90X60mm		◆	◆	◆
55	1312 304 161		1	MAIN SHAFT		A	◆		
55	1316 304 130	(1312 304 134)	1	MAIN SHAFT		ABCDEF		◆	◆
56	0750 115 303		2	NEEDLE CAGE	92X100X63mm		◆	◆	◆
57	1312 304 142		1	GEAR 2nd		A	◆		
57	1312 304 141		1	GEAR 2nd 37 T		ABCDEF		◆	
57	1312 304 139		1	GEAR 2nd 38 T		ABCF			◆
58	1312 304 106		2	ENGAGING RING			◆	◆	◆
59	1268 304 424		2	SYNCHRONIZING CONE			◆	◆	◆
60	1268 304 494	(1268 304 491)	2	INTERMEDIATE CONE			◆	◆	◆
61	1268 304 525		2	SYNCHRONIZING CONE			◆	◆	◆
62	1312 304 158		1	GUIDE SLEEVE			◆	◆	◆
63	1312 304 159		3	SLIDING BLOCK			◆	◆	◆
64	1310 304 175	(1312 304 157)	1	ENGAGING SLEEVE			◆	◆	◆
65	1312 206 043	(1312 206 011)	1	GEAR SHIT FORK 1st/2nd		A	◆		

**NOTES :**

ABCDEF alphabetic letters are used in conjunction with the encoded parts.  
 Alphabetical Coding has been done according to Input Shaft

16 S 220



# GEARBOX 16S220

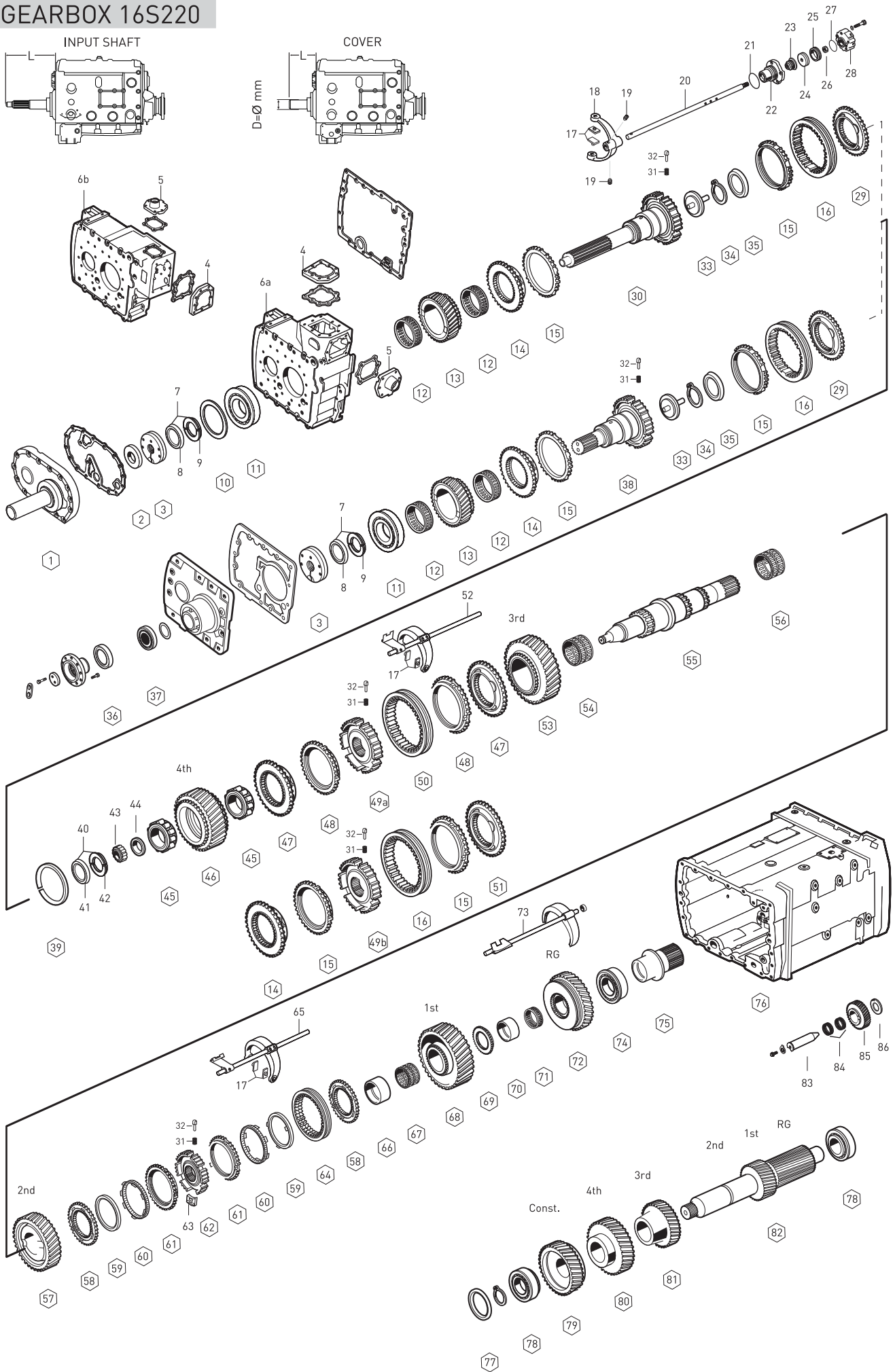


Fig	Oem No	Oem Old No	Pcs	Description	Sizes	Notes	SG 10.14-0.72	SG 13.80-0.84	DG 16.47-1.00
65	1312 206 017	(1312 206 022)	1	GEAR SHIT FORK 1st/2nd		ABCE	◆	◆	◆
65	1312 206 013	(1312 206 021)	1	GEAR SHIT FORK 1st/2nd		DC		◆	
66	1312 304 008		1	BEARING RACE			◆		
66	1312 304 084		1	BEARING RACE				◆	◆
67	0750 115 304		1	NEEDLE CAGE	92X100X72mm		◆		
67	0750 115 327		1	NEEDLE CAGE	96X104X72mm			◆	◆
68	1312 304 077		1	GEAR 1st 34 T		A	◆		
68	1312 304 086		1	GEAR 1st 44 T		ABCDEF		◆	
68	1312 304 085		1	GEAR 1st 47 T		ABCF			◆
69	1312 304 037		1	HUB			◆		
69	1312 304 083		1	HUB				◆	◆
70	1312 304 011		1	BEARING RACE			◆		
70	1316 304 133	(1312 304 082)	1	BEARING RACE				◆	◆
71	0735 321 103		1	NEEDLE CAGE	77X85X50mm		◆		
71	0750 115 326		1	NEEDLE CAGE	90X98X50mm			◆	◆
72	1312 304 078		1	REVERSE GEAR 39 T		A	◆		
72	1312 304 088		1	REVERSE GEAR 39 T		ABCDEF		◆	
72	1312 304 087		1	REVERSE GEAR 38 T		ABCF			◆
73	1312 206 033		1	GEAR SHIT FORK/RG		A	◆		
73	1312 206 028		1	GEAR SHIT FORK/RG		ABCE		◆	◆
73	1312 206 027		1	GEAR SHIT FORK/RG		DC		◆	
74	0750 117 233		1	ROLLER BEARING	65X140X36.5mm		◆		
74	0750 117 678		1	ROLLER BEARING	80X140X36.5mm			◆	◆
75	1297 304 307		1	SUN GEAR 27 T		A	◆		
76	1312 301 075	(1312 301 066)	1	HOUSING		AE		◆	◆
76	1312 301 080	(1312 301 064)	1	HOUSING		A	◆		
76	1312 301 073	(1312 301 059)	1	HOUSING		CBDE		◆	◆
77	0730 106 917		1	SHIM	3.00mm		◆	◆	◆
77	0730 106 909		1	SHIM	2.60mm		◆	◆	◆
77	0730 101 467		1	SHIM	2.20mm		◆	◆	◆
77	0730 106 905		1	SHIM	1.85mm		◆	◆	◆
77	2001678		1	SHIM	0.30mm		◆	◆	◆
77	2001679		1	SHIM	0.20mm		◆	◆	◆
77	2001680		1	SHIM	0.10mm		◆	◆	◆
78	0750 117 009		2	ROLLER BEARING	49.2X103.1X43.6mm		◆	◆	◆
79	1312 303 003		1	CONSTANT GEAR 34 T		A	◆		
79	1312 303 006		1	CONSTANT GEAR 37 T		ABCDEF		◆	
79	1312 303 005		1	CONSTANT GEAR 39 T		ABCF			◆
80	1312 303 014		1	GEAR 4th 31 T		A	◆		
80	1312 303 017		1	GEAR 4th 39 T		ABCDEF		◆	
80	1312 303 016		1	GEAR 4th 37 T		ABCF			◆

NOTES :

ABCDEF alphabetic letters are used in conjunction with the encoded parts.  
 Alphabetical Coding has been done according to Input Shaft

16 S 220

# GEARBOX 16S220

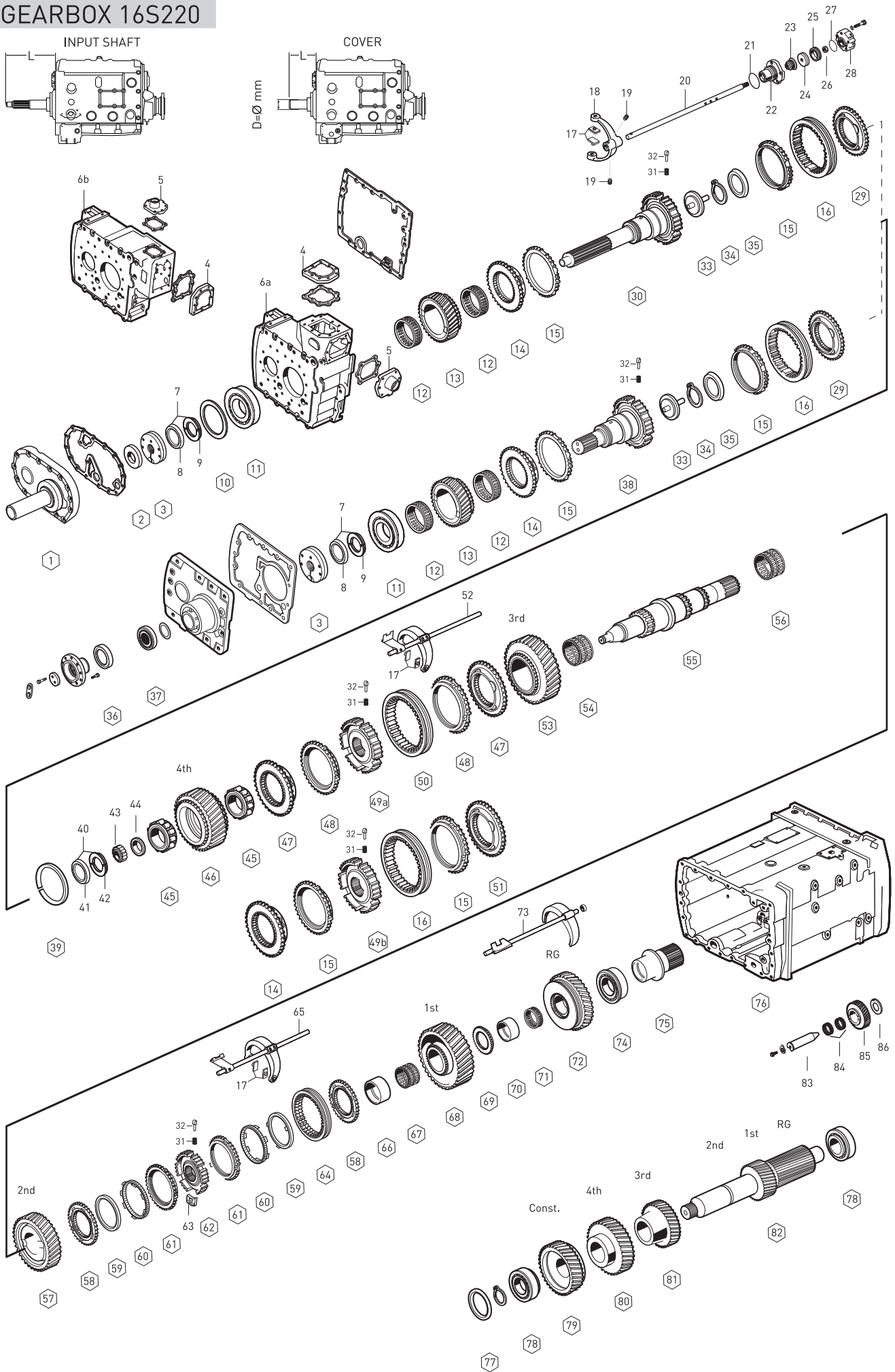




Fig.	Oem No	Oem Old No	Pcs.	Ürün Tanımı	Description	Sizes	Notes	SG 10.14-0.72	SG 13.80-0.84	DG 16.47-1.00
81	1312 303 036		1	3.VİTES DİŞLİ KARŞ.36 DİŞ	GEAR 3rd 36 T		A	◆		
81	1312 303 020		1	3.VİTES DİŞLİ KARŞ.28 DİŞ	GEAR 3rd 28 T		ABCDEF		◆	
81	1312 303 021		1	3.VİTES DİŞLİ KARŞ.26 DİŞ	GEAR 3rd 26 T		ABCF			◆
82	1312 303 037		1	GRUP MİLİ 20-24 DİŞ	COUNTER SHAFT 20-24 T		A	◆		
82	1312 303 009		1	GRUP MİLİ 19-23 DİŞ	COUNTER SHAFT 19-23 T		ABCDEF		◆	
82	1312 303 008		1	GRUP MİLİ 17-20 DİŞ	COUNTER SHAFT 17-20 T		ABCF			◆
83	1295 305 056	(1295 305 008)	1	KÜÇÜK GERİ VİTES PİMİ	PIN			◆	◆	◆
		(1295 305 057)								
84	0750 115 255		2	KÜÇÜK GERİ VİT.MAS.BİLYA	NEEDLE CAGE	45.0X53.0X25.0mm		◆	◆	◆
85	1312 305 003		1	KÜÇÜK GERİ VİTES	REV.IDLER GEAR		A	◆		
85	1297 305 012		1	KÜÇÜK GERİ VİTES	REV.IDLER GEAR		ABCDEF		◆	
85	1297 305 011		1	KÜÇÜK GERİ VİTES	REV.IDLER GEAR		ABCF			◆
86	0730 150 064		1	KÜÇÜK GERİ VİTES PULU	THRUST WASHER			◆	◆	◆

**NOTES :**

ABCDEF alfabetik letters are used in conjunction with the encoded parts.  
Alphabetical Coding has been done according to Input Shaft

**NOTLAR :**

ABCDEF alfabetik harfler ile kodlanan parçalar birlikte kullanılır.  
Alfabetik kodlamalar prizdireklere göre yapılmıştır.

# GEARBOX 16S220

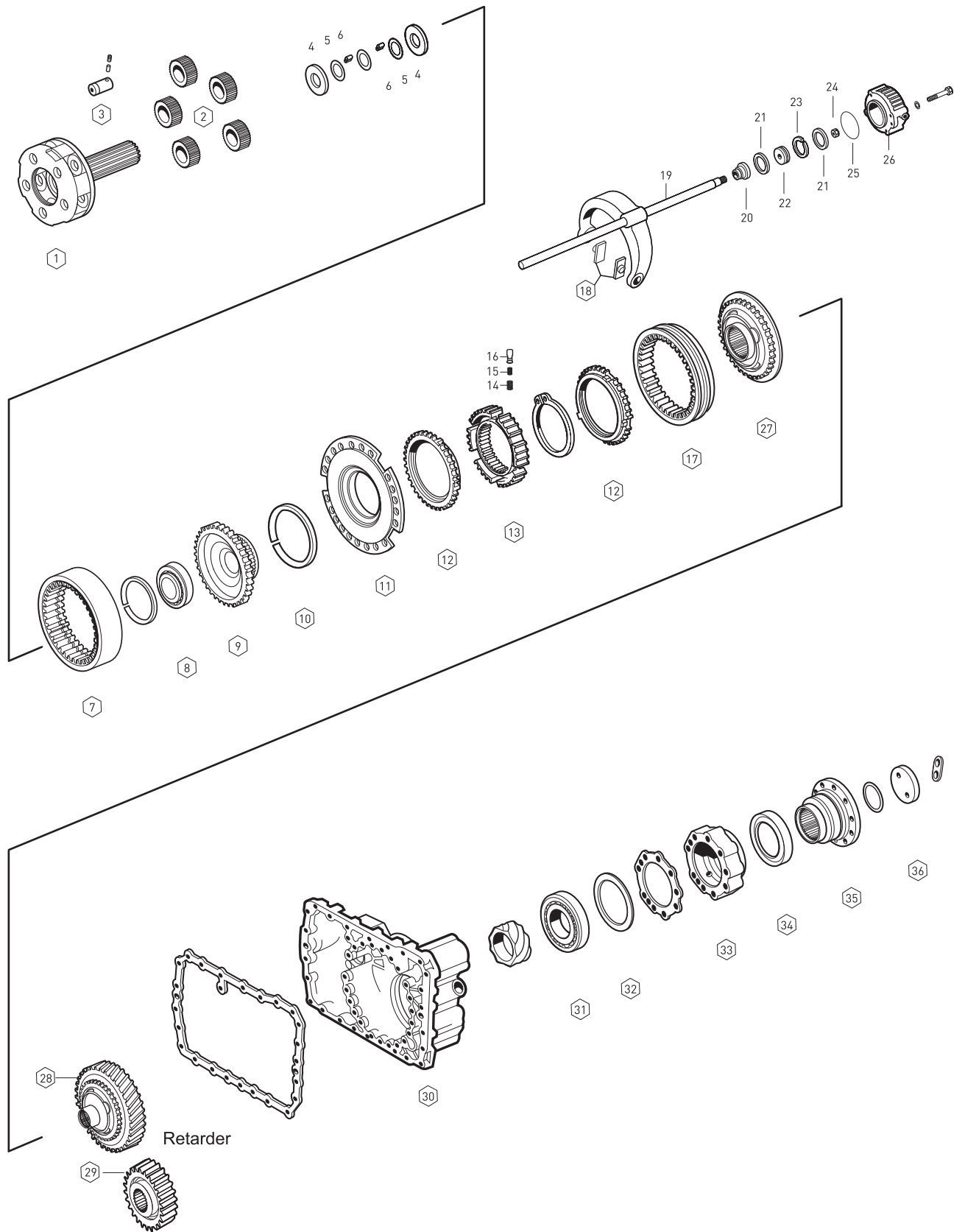


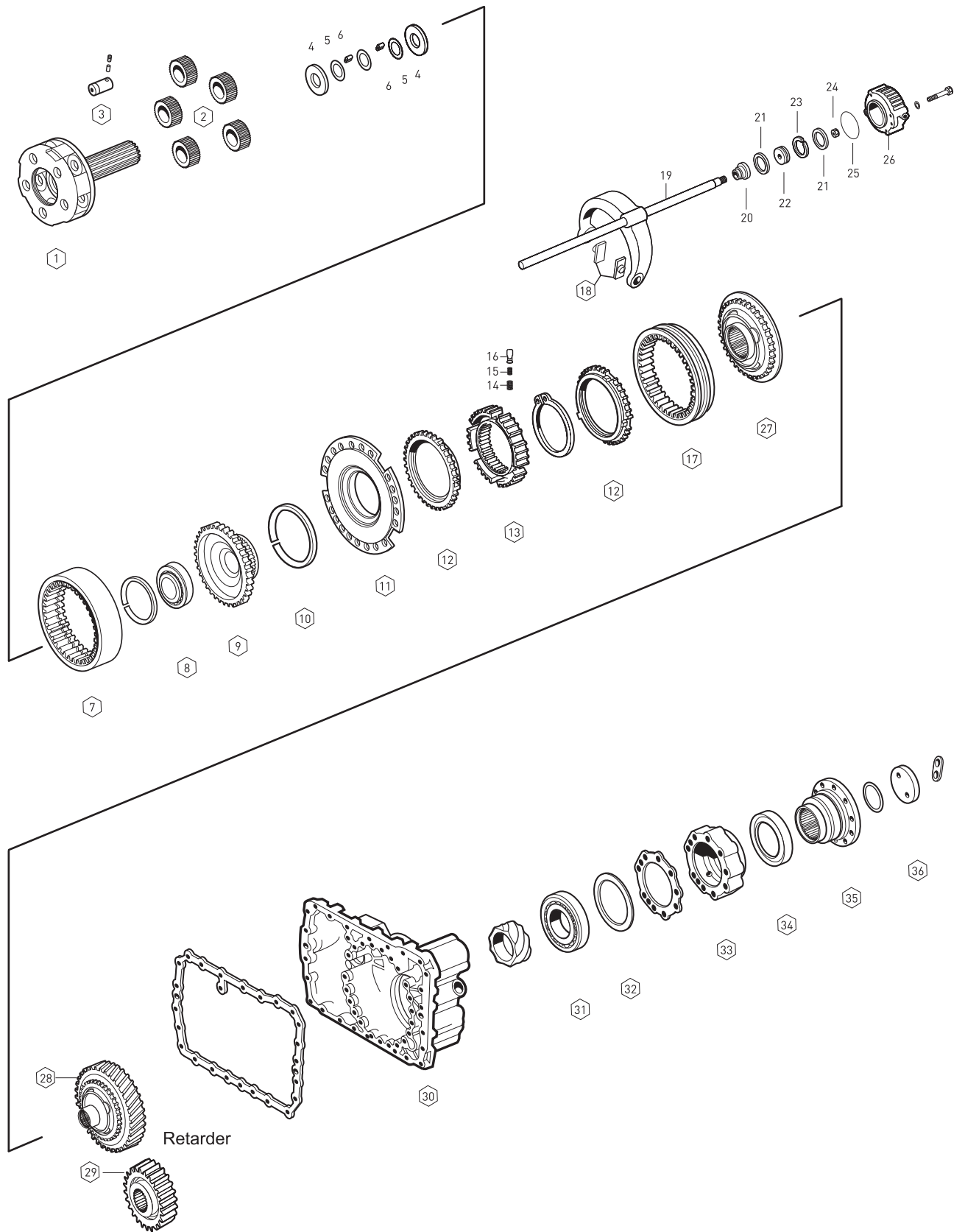
Fig.	Oem No	Oem Old No	Pcs.	Description	Sizes	Notes	SG 10.14-0.72	SG 13.80-0.84	DG 16.47-1.00
1	1312 232 016		1	PLANETARY CARRIER		A	◆		
1	1316 232 006	(1312 232 015)	1	PLANETARY CARRIER		B		◆	◆
2	1297 232 023	(1297 332 022)	5	PLANETARY GEAR SET		A	◆		
2	1312 232 014		5	PLANETARY GEAR SET		B		◆	◆
3	1297 332 109	(1297 332 005)	5	PLANET SHAFT		A	◆		
3	1312 332 026		5	PLANET SHAFT		B		◆	◆
4	0501 306 212		10	THRUST WASHER		A	◆		
4	0501 308 981		10	THRUST WASHER		B		◆	◆
5	0730 103 846		15	THRUST WASHER		A	◆		
5	0730 107 168		15	THRUST WASHER		B		◆	◆
6	0750 119 116		140	NEEDLE ROLLER	10X16.8mm	A	◆		
6	0735 470 164		140	NEEDLE ROLLER	10X15mm	B		◆	◆
7	1297 332 080	(1297 332 036)	1	RING WHEEL		A	◆		
7	1295 332 086		1	RING WHEEL 86 T		B		◆	◆
8	0635 338 035		1	ROLLER BEARING	100X125X13mm		◆	◆	◆
9	1297 332 108		1	CARRIER HUB		A	◆		
9	1297 332 020		1	CARRIER HUB 86 T		B		◆	◆
10	0730 505 056	(0730 505 055)	1	SPRING RING	3.20mm		◆	◆	◆
11	1296 233 006		1	FLANGE			◆	◆	◆
12	1296 333 045	(1296 333 022)	2	SYNCHRONIZING CONE			◆	◆	◆
13	1297 333 115		1	GUIDE SLEEVE			◆	◆	◆
14	0732 040 385		9	SPRING			◆	◆	◆
15	0732 040 386		9	SPRING			◆	◆	◆
16	1240 304 278		9	PRESSURE PIECE			◆	◆	◆
17	1296 333 023		1	ENGAGING SLEEVE			◆	◆	◆
18	1296 334 004		2	SLIDING PAD			◆	◆	◆
19	1312 234 002		1	GEAR SHIFT FORK			◆	◆	◆
20	0750 112 034		1	FLANGE PACKING	25.0X38.0X14.2mm		◆	◆	◆
21	0750 112 097		2	SEALING RING					◆
21	0734 317 150	(0750 112 019)	2	SEALING RING	80.0X90.0X4.8mm		◆	◆	
22	1297 334 056		1	PISTON					◆
22	1296 334 039		1	PISTON			◆	◆	
23	0750 112 096		1	GUIDE RING					◆
23	0750 112 066		1	GUIDE RING			◆	◆	
24	0737 006 095		1	NUT	M16X1.5mm		◆	◆	◆
25	0634 313 520		1	O-RING	96.0X3.0mm				◆
25	0634 314 019		1	O-RING	94.0X3.0mm		◆	◆	
26	1297 334 055		1	CYLINDER					◆
26	1295 334 075		1	CYLINDER				◆	
26	1297 234 016		1	CYLINDER			◆		
27	1297 233 056		1	ENGAGING RING			◆	◆	◆

NOTES :

A : Alphabetical letters used in conjunction with these products are classified.  
B : Alphabetical letters used in conjunction with these products are classified.

16 S 220

# GEARBOX 16S220





SYNCHRONIZER KIT CONST.

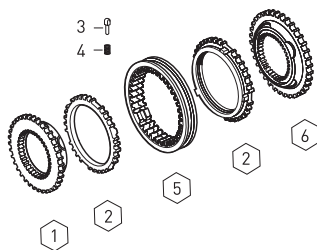


Fig.	. Oem No	Oem Old No	Pcs	Description
	<b>1297 298 955</b>		Kit	T SYNCHRONIZER KIT Const
1	<b>1312 304 027</b>		1	ENGAGING RING
2	<b>1297 304 484</b>	<b>(1297 304 402)</b>	2	SYNCHRONIZING CONE
3	<b>1297 304 436</b>		3	PRESSURE PIECE
4	<b>0732 040 409</b>		3	SPRING
5	<b>1310 304 202</b>	<b>(1312 302 057)</b>	1	ENGAGING SLEEVE
		<b>(1310 304 174)</b>		
6	<b>1312 304 056</b>		1	ENGAGING RING

SYNCHRONIZER KIT 3rd/4th/CONST.

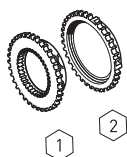


Fig.	. Oem No	Oem Old No	Pcs	Description
	<b>1312 204 031</b>		Kit	SYNCH.KIT 3rd/4th/Const.
1	<b>1312 304 027</b>		1	ENGAGING RING
2	<b>1297 304 484</b>	<b>(1297 304 402)</b>	1	SYNCHRONIZING CONE

SYNCHRONIZER KIT 3rd/4th

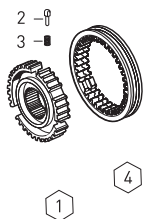


Fig	. Oem No	Oem Old No	Pcs	Description
	<b>1312 204 028</b>		Kit	SYNCH.KIT 3rd/4th
1	<b>1312 304 052</b>		1	GUIDE SLEEVE
2	<b>1297 304 436</b>		3	PRESSURE PIECE
3	<b>0732 040 409</b>		3	SPRING
4	<b>1310 304 202</b>	<b>(1312 302 057)</b>	1	ENGAGING SLEEVE
		<b>(1310 304 174)</b>		

SYNCHRONIZER KIT 3rd/4th

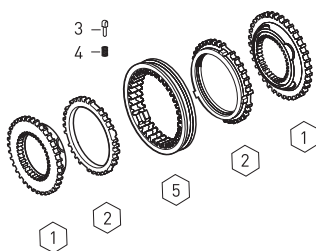


Fig.	. Oem No	Oem Old No	Pcs	Description
	<b>1315 298 030</b>		Kit	SYNCH.KIT 3rd/4th
1	<b>1312 304 027</b>		2	ENGAGING RING
2	<b>1297 304 484</b>	<b>(1297 304 402)</b>	2	SYNCHRONIZING CONE
3	<b>1297 304 436</b>		3	PRESSURE PIECE
4	<b>0732 040 409</b>		3	SPRING
5	<b>1310 304 202</b>	<b>(1312 302 057)</b>	1	ENGAGING SLEEVE
		<b>(1310 304 174)</b>		

SYNCHRONIZER KIT 3rd/4th

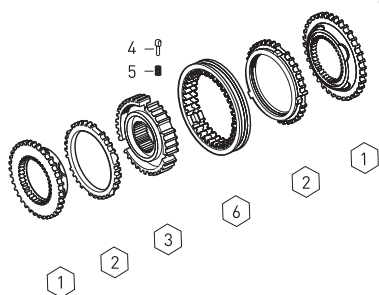


Fig.	Oem No	Oem Old No	Pcs	Description
	<b>1315 298 018</b>		Kit	SYNCH.KIT 3rd/4th
1	<b>1312 304 027</b>		2	ENGAGING RING
2	<b>1297 304 484</b>	<b>(1297 304 402)</b>	2	SYNCHRONIZING CONE
3	<b>1312 304 052</b>		1	GUIDE SLEEVE
4	<b>1297 304 436</b>		3	PRESSURE PIECE
5	<b>0732 040 409</b>		3	SPRING
6	<b>1310 304 202</b>	<b>(1312 302 057)</b>	1	ENGAGING SLEEVE
		<b>(1310 304 174)</b>		

Fig.	o. Oem No	Oem Old No	Pcs	Description
	1315 298 061	(1316 204 016)	Kit	SYNCH.KIT 3rd/4th
1	1316 304 159	(1316 304 145)	2	ENGAGING RING
2	1316 304 168	(1316 304 149)	2	SYNCHRONIZING CONE
3	1316 304 162		1	GUIDE SLEEVE
4	1297 304 436		3	PRESSURE PIECE
5	0732 040 409		3	SPRING
6	1316 304 167	(1315 304 135)	1	ENGAGING SLEEVE

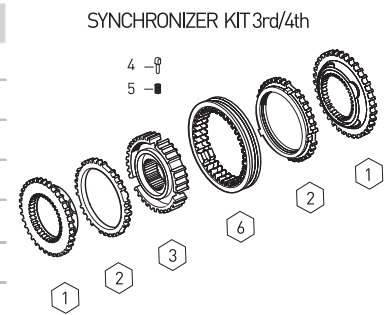


Fig.	o. Oem No	Oem Old No	Pcs	Description
	1316 204 014		Kit	SYNCH.KIT 3rd/4th
1	1316 304 168	(1316 304 149)	2	SYNCHRONIZING CONE
2	1316 304 162		1	GUIDE SLEEVE
3	1297 304 436		3	PRESSURE PIECE
4	0732 040 409		3	SPRING
5	1316 304 167	(1315 304 135)	1	ENGAGING SLEEVE



Fig.	o. Oem No	Oem Old No	Pcs	Description
	1315 204 006	(1312 298 911)	Kit	SYNCH.KIT 1st/2nd
1	1312 304 106		2	ENGAGING RING
2	1268 304 424		2	SYNCHRONIZING CONE
3	1268 304 494	(1268 304 491)	2	INTERMEDIATE CONE
4	1268 304 525		2	SYNCHRONIZING CONE
5	1312 304 158		1	GUIDE SLEEVE
6	1312 304 159		3	SLIDING BLOCK
7	1297 304 436		3	PRESSURE PIECE
8	0732 040 409		3	SPRING
9	1310 304 175	(1312 304 157)	1	ENGAGING SLEEVE

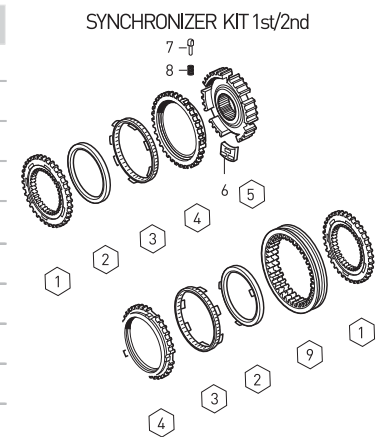
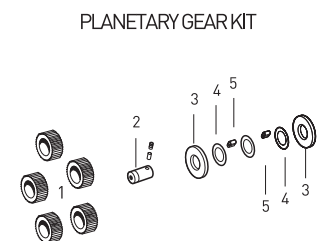


Fig.	o. Oem No	Oem Old No	Pcs	Description
	1297 298 912		Kit	PLANETARY GEAR KIT
1	1297 232 023	(1297 332 022)	5	PLANETARY GEAR
2	1297 332 109	(1297 332 005)	5	PLANETARY SHAFT
3	0501 306 212		10	THRUST WASHER
4	0730 103 846		15	THRUST WASHER
5	0750 119 109		120	NEEDLE ROLLER (10X16.8)





## SYNCHRONIZER KIT PLANETARY

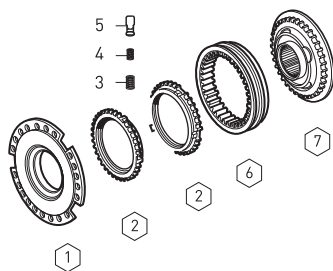


Fig.	Oem No	Oem Old No	Pcs	Description
	<b>1295 298 962</b>		Kit	SYNCHRONIZER KIT
1	<b>1296 233 006</b>		1	FLANGE
2	<b>1296 333 045</b>	<b>(1296 333 022)</b>	2	SYNCHRONIZING CONE
3	<b>0732 040 385</b>		9	SPRING
4	<b>0732 040 386</b>		9	SPRING
5	<b>1240 304 278</b>		9	PRESSURE PIECE
6	<b>1296 333 023</b>		1	ENGAGING SLEEVE
7	<b>1297 233 056</b>		1	ENGAGING RING

## SYNCHRONIZER KIT PLANETARY

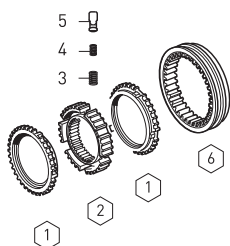


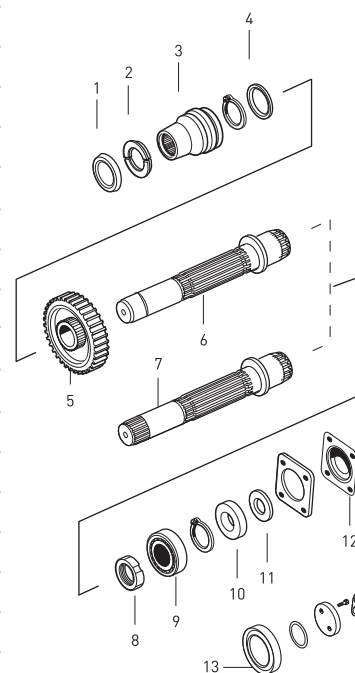
Fig.	Oem No	Oem Old No	Pcs	Description
	<b>1316 233 017</b>		Kit	SYNCHRONIZER KIT
1	<b>1296 333 045</b>	<b>(1296 333 022)</b>	2	SYNCHRONIZING CONE
2	<b>1297 333 115</b>		1	GUIDE SLEEVE
3	<b>0732 040 385</b>		9	SPRING
4	<b>0732 040 386</b>		9	SPRING
5	<b>1240 304 278</b>		9	PRESSURE PIECE
6	<b>1296 333 023</b>		1	ENGAGING SLEEVE

## GEARBOX GASKET KIT

Fig.	Oem No	Oem Old No	Pcs.	Description
1	<b>K20.01584</b>	<b>1295 298 915</b>	Kit	GASKET KIT
2	<b>1313 301 038</b>		1	GASKET
3	<b>1313 302 014</b>		1	GASKET
4	<b>1313 306 012</b>		1	GASKET
5	<b>1313 307 002</b>		1	GASKET
5	<b>1313 307 020</b>		2	GASKET
5	<b>1313 307 003</b>		1	GASKET
5	<b>1313 307 004</b>		1	GASKET
5	<b>1313 307 022</b>		1	GASKET
6	<b>1313 301 037</b>		1	GASKET
7	<b>1313 301 036</b>		1	GASKET
8	<b>1238 308 201</b>		1	GASKET
9	<b>1313 307 005</b>		1	GASKET
10	<b>1313 307 006</b>		1	GASKET

Fig.	Oem No	Oem Old No	Pc	Description
1	1296 313 131		1	RETAINING RING
2	0730 104 627		1	SPLIT RING
3	1296 313 238		1	SLIDING SLEEVE
4	0730 104 628		1	THRUST WASHER
5	1296 313 082		1	GEAR 33 T
5	1296 313 083		1	GEAR 36 T
5	1296 313 084		1	GEAR 38 T
5	1296 313 085		1	GEAR 39 T
5	1296 313 086		1	GEAR 46 T
6	1296 213 028		1	INTERM.SHAFT
7	1296 213 028		1	INTERM.SHAFT (Milled)
8	1296 313 125		1	NUT
9	0735 410 139		1	ROLLER BEARING
10	7429 032 102		1	THRUST WASHER
11	1232 304 062		1	SHIM (1.00mm)
11	1232 304 063		1	SHIM (0.90mm)
11	1232 304 072		1	SHIM (0.70mm)
12	1250 313 190		1	COVER
13	0750 111 341		1	OIL SEAL

P.T.O. (POWERTAKEOFF)



# GEARBOX 16S220A

