

# Meritor - ELSA2/195/225 Series



# Meritor Repair Kits - ELSA2/195/225 Series

**2134 - ELSA2/195/225**  
Caliper Adjuster Mechanism



**2135 - ELSA2/195/225**  
Caliper Calibration Gear



**2136 - ELSA2/195/225**  
Caliper Calibration Mechanism Cap (Aluminium)



**2137 - ELSA2/195/225**  
Caliper Adjuster Gear (Left)



**2138 - ELSA2/195/225**  
Caliper Adjuster Gear (Right)



**2063 - ELSA2** **MCK1254**  
Caliper Guide & Seals Repair Kit



**2139 - ELSA2/195/225**  
Caliper Adjusting Mechanism Sealings



	REF	DESCRIPTION	DIMENSION	QTY
2139	01	2534	TEFLON BUSHING	2
	02	2580	DUST EXCLUDER RETAINER	2
	03	2638	SEAL	2

# Meritor Repair Kits - ELSA2/195/225 Series

## 2070 - ELSA2 SJ4112

Caliper Half Bearing Repair Kit



	REF	DESCRIPTION	DIMENSION	QTY
2070	01	2071	ROLLER BEARING SET	1
	02	2633	HALF BEARING	2
	03	2634	ROLLER	2

## 2071 - ELSA2/195/225

Caliper Roller Bearings



## 2111 - ELSA2/195/225 MCK1139

Caliper Tappet Dust Covers



## 2192 - ELSA2 68322655PK10

Caliper Adjuster Dust Boot



## 2133 - ELSA2 MCK1243

Caliper Guide & Seals Repair Kit



	REF	DESCRIPTION	DIMENSION	QTY	
2133	01	2501	GUIDE PIN (SHORT)	Ø31 x 83,5 mm	1
	02	2510	GUIDE PIN (LONG)	Ø35 x 144 mm	1
	03	2553	BOLT (SHORT)	M18x1,5 x 85 mm	1
	04	2556	BOLT (LONG)	M18x1,5 x 145 mm	1
	05	2552	BRIDGE BOLT	M16x1,5 x 40 mm	4
	06	2681	SCREW	M10x1,25 x 20 mm	1
	07	2521	PLAIN BUSH	Ø39 x Ø35 x 30 mm	2
	08	2528	BRONZE OVAL BUSH	Ø42 x Ø33,0/31,8 x 30 mm	1
	09	2545	STEEL CAP	Ø44 mm	2
	10	2575	DUST EXCLUDER RETAINER	Ø42 / Ø37 mm	2
	11	2582	DUST EXCLUDER		2

# Meritor Repair Kits - ELSA2/195/225 Series

**2140 - ELSA2/195/225**

Caliper Bearing Caps



**2142 - ELSA2/195/225** MCK1139

Caliper Tappet Dust Covers



**2188 - ELSA2/195/225**

Caliper Adjuster Gear



**2189 - ELSA2**

RVI 5001866398

Caliper Tappet Head Repair Kit



	REF	DESCRIPTION	DIMENSION	QTY
<b>2189</b>	<b>01</b>	2584	TAPPET DUST EXCLUDER	2
	<b>02</b>	2612	PISTON HEAD	2
	<b>03</b>	2614	PISTON HEAD RING	2

**2191 - ELSA2**

MCK1088

Caliper Seals & Bolts Repair Kit



	REF	DESCRIPTION	DIMENSION	QTY	
<b>2191</b>	<b>01</b>	2552	BRIDGE BOLT	M16x1,5 x 40 mm	4
	<b>02</b>	2192	ADJUSTER DUST BOOT		1
	<b>03</b>	2199	ACTUATOR SEAL		1
	<b>04</b>	2545	STEEL CAP	Ø44 mm	2
	<b>05</b>	2584	TAPPET DUST EXCLUDER		2
	<b>06</b>	2582	DUST EXCLUDER		2

# Meritor Repair Kits - ELSA2/195/225 Series

## 2195 - ELSA2/195/225

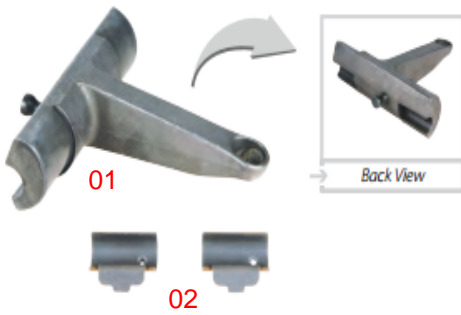
Caliper Lever (length 123 mm)



		REF	DESCRIPTION	DIMENSION	QTY
2195	01	2694	CALIPER LEVER		1
	02	2633	HALF BEARING		2

## 2206 - ELSA2/195/225

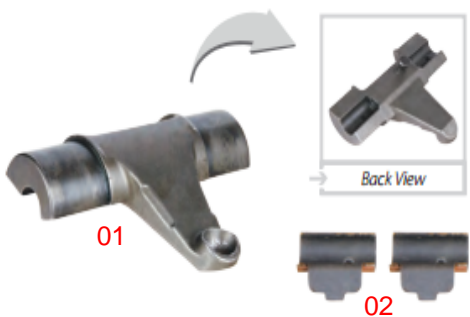
Caliper Lever (Radial)



		REF	DESCRIPTION	DIMENSION	QTY
2206	01	2696	CALIPER LEVER		1
	02	2633	HALF BEARING		2

## 2207 - ELSA2/195/225

Caliper Lever (length 114 mm)



		REF	DESCRIPTION	DIMENSION	QTY
2207	01	2695	CALIPER LEVER		1
	02	2633	HALF BEARING		2

# Meritor Repair Kits - ELSA2/195/225 Series

**2197 - ELSA2/195/225**

Caliper Calibration Mechanism Cap (Aluminium)



**2199 - ELSA2**

**68323746PK10**

Caliper Actuator Seal



**2200 - ELSA2/195/225**

Caliper Actuator Seal



**2209 - ELSA2**

**68322655PK10**

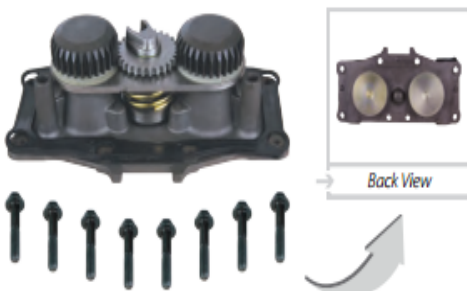
Caliper Adjuster Seal & Cover Repair Kit



	REF	DESCRIPTION	DIMENSION	QTY
2209	01	2192	ADJUSTER DUST COVER	1
	02	2704	DUST COVER RETAINER	1
	03	2627	ADJUSTER SEAL	1

**2224 - ELSA2/195/225**

Caliper Mechanism, Piston & Cover Kit



	REF	DESCRIPTION	DIMENSION	QTY
2224	-	2134	ADJUSTER MECHANISM	1
	-	2135	CALIBRATION GEAR	2
	-	2136	CALIBRATION MECHANISM CAP	1

# Meritor Repair Kits - ELSA2/195/225 Series

## 2225 - ELSA2/195/225

Caliper Mechanism, Piston & Cover Kit



	REF	DESCRIPTION	DIMENSION	QTY
2225	- 2134	ADJUSTER MECHANISM		1
	- 2135	CALIBRATION GEAR		2
	- 2197	CALIBRATION MECHANISM CAP		1

## 2210 - ELSA2

MCK1254

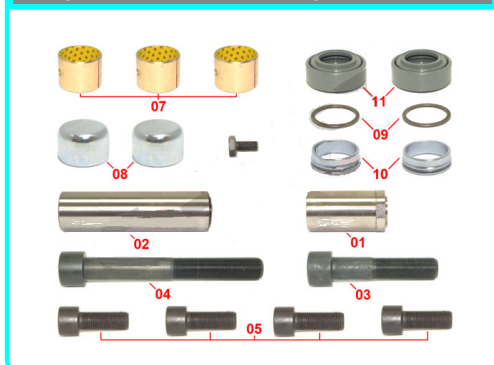
Caliper Guide & Seals Repair Kit



	REF	DESCRIPTION	DIMENSION	QTY
2210	01	GUIDE PIN (SHORT)	Ø31 x 77,5 mm	1
	02	GUIDE PIN (LONG)	Ø35 x 117 mm	1
	03	BOLT (SHORT)	M18x1,5 x 85 mm	1
	04	BOLT (LONG)	M18x1,5 x 120 mm	1
	05	BRIDGE BOLT	M16x1,5 x 40 mm	4
	06	SCREW	M10x1,25 x 20 mm	1
	07	PLAIN BUSH	Ø39 x Ø35 x 30 mm	2
	08	BRONZE OVAL BUSH	Ø42 x Ø33,0/31,8 x 30 mm	1
	09	STEEL CAP (SHORT VERSION)	Ø44 mm	2
	10	DUST EXCLUDER RETAINER	Ø39 / Ø37 mm	2
	11	DUST EXCLUDER		2

## 2214 - ELSA2 MCK1086, 5001858717

Caliper Guide & Seals Repair Kit



	REF	DESCRIPTION	DIMENSION	QTY
2214	01	OVAL GUIDE PIN (SHORT)	Ø35 / 33 x 67 mm	1
	02	GUIDE PIN (LONG)	Ø35 x 128,5 mm	1
	03	BOLT (SHORT)	M20x1,5 x 90 mm	1
	04	BOLT (LONG)	M20x1,5 x 150 mm	1
	05	BRIDGE BOLT	M16x1,5 x 40 mm	4
	06	SCREW	M10x1,25 x 20 mm	1
	07	PLAIN BUSH	Ø39 x Ø35 x 30 mm	3
	08	STEEL CAP	Ø44 mm	2
	09	DUST EXCLUDER RETAINER	Ø42,5 / Ø35,5 mm	2
	10	DUST EXCLUDER RETAINER	Ø41,5 / Ø37 mm	2
	11	DUST EXCLUDER		2

# Meritor Repair Kits - ELSA2/195/225 Series

## 2246 - ELSA2/195/225

Caliper Mechanism, Piston & Cover Kit



## 2232 - ELSA2/195/225

Caliper Mechanism, Piston & Cover Kit



## 2235 - ELSA2/195/225

Caliper Mechanism, Piston & Cover Kit



## 2231 - ELSA2/195/225

Caliper Guide & Seals Repair Kit



	REF	DESCRIPTION	DIMENSION	QTY
2231	01	GUIDE PIN (SHORT)	31 x 83,5 mm	1
	02	GUIDE PIN (LONG)	35 x 144 mm	1
	03	BOLT (SHORT)	M18x1,5 x 85 mm	1
	04	BOLT (LONG)	M18x1,5 x 145 mm	1
	05	BRIDGE BOLT	M16x1,5 x 40 mm	4
	06	SCREW	M10x1,25 x 20 mm	1
	07	PLAIN BUSH	Ø39 x Ø35 x 30 mm	2
	08	BRONZE OVAL BUSH	42 x 31 x 45 mm	1
	09	STEEL CAP (SHORT VERSION)	Ø44 mm	2
	10	DUST EXCLUDER RETAINER	42 / 37 mm	2
	11	DUST EXCLUDER		2

## 2227 - ELSA2/195/225

Caliper Visual Indicator



## 2230 - ELSA2/195/225 (Aluminium)

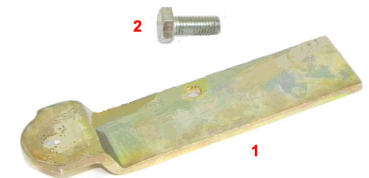
Caliper Calibration Mechanism Cap



## 2239 - ELSA2

MCK1174

Caliper Mechanism, Piston & Cover Kit

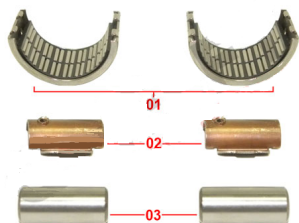




# Meritor Repair Kits - ELSA2/195/225 Series

## 2204 - ELSA2/195/225

Caliper Mechanism, Piston & Cover Kit



## 2251 - ELSA2/195/225

Caliper Lever



## 2258 - ELSA2/195/225

Caliper Lever



## 2065 - ELSA2

**MCK1298**

Caliper Guide & Seals Repair Kit



## 2068 - ELSA2/195/225 TYPE

Caliper Adjuster Gear



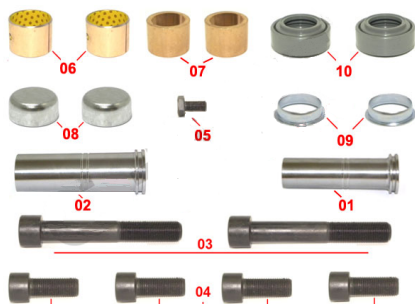
## 2628 - ELSA2

ACTUATOR SEAL



## 2247 - ELSA2 **MCK1317, 85109889**

Caliper Guide & Seals Repair Kit



	REF	DESCRIPTION	DIMENSION	QTY
2247	01	GUIDE PIN (LONG)	Ø31 x 117 mm	1
	02	GUIDE PIN (LONG)	Ø35 x 117 mm	1
	03	BOLT (LONG)	M18x1,5 x 120 mm	2
	04	BRIDGE BOLT	M16x1,5 x 40 mm	4
	05	SCREW	M10x1,25 x 20 mm	1
	06	PLAIN BUSH	Ø39 x Ø35 x 30 mm	2
	07	BRONZE OVAL BUSH	42 x 33,0/31,8 x 30 mm	2
	08	STEEL CAP	O44 mm	2
	09	DUST EXCLUDER RETAINER	O39 / O37 mm	2
	10	DUST EXCLUDER		2