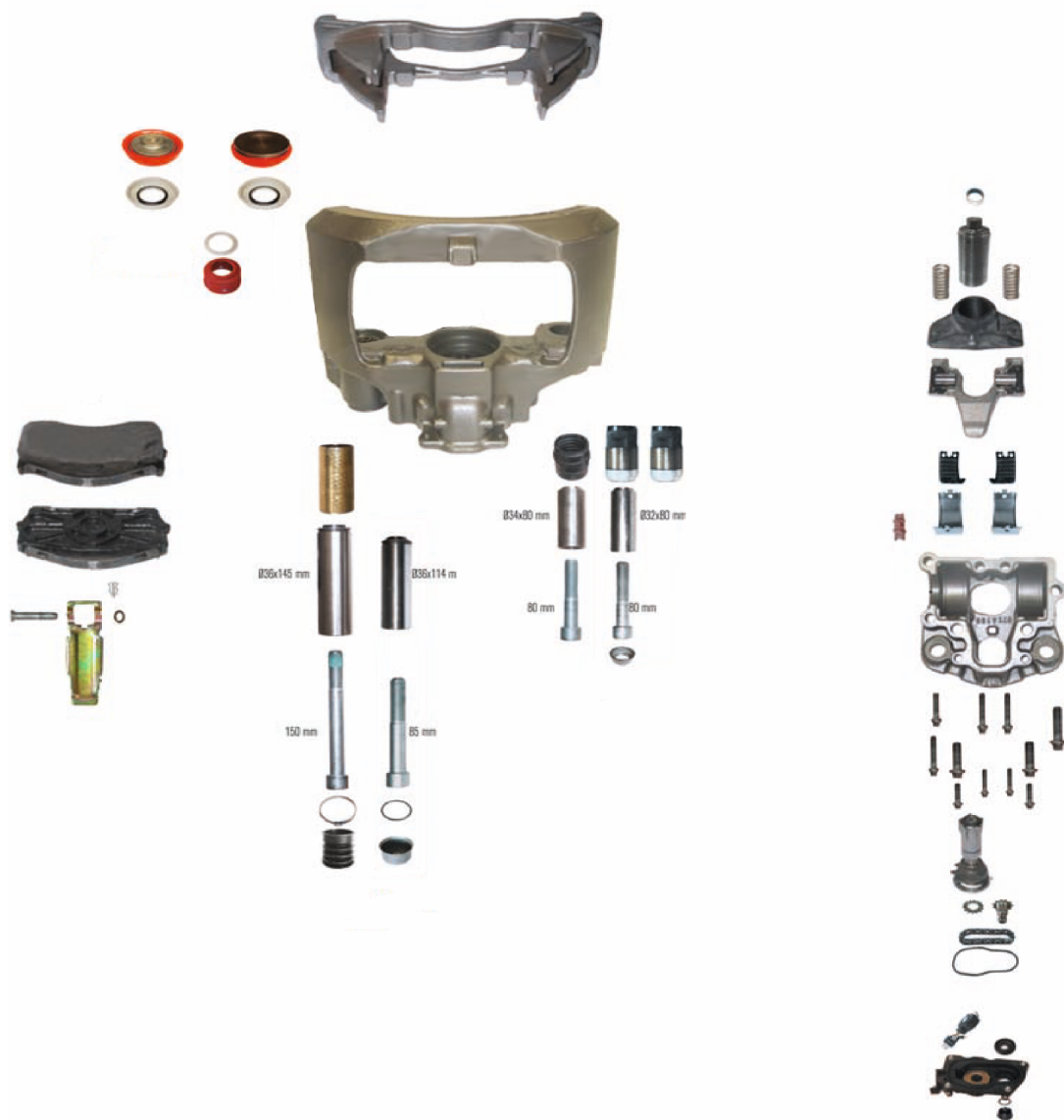


KNORR SB5..SN5..



Knorr Repair Kits - SN5 Series

1001 - SN5 K001929 Caliper Piston Repair Kit



		REF	DESCRIPTION	DIMENSION	QTY
1001	01	1536	TAPPET & BOOT ASSEMBLY	Ø69 mm	1
	02	1520	TAPPET BUSH	Ø18 x Ø16 x 10 mm	1

1007 - SN5 Caliper Chain (14 links)



1008 - SN5 Caliper Calibration Bolt



1013 - SN5 Caliper Adjusting Mechanism



1173 - SN5 K001928 Caliper Guides & Seals Repair Kit



		REF	DESCRIPTION	DIMENSION	QTY
1173	01	1508	GUIDE PIN (SHORT)	Ø30 x 71,5 mm	1
	02	1509	GUIDE PIN (LONG)	Ø30 x 99 mm	1
	03	1512	BOLT (SHORT)	M16x1,5 x 75 mm	1
	04	1515	BOLT (SHORT)	M16x1,5 x 105 mm	1
	05	1528	BRONZE BUSH	Ø34 x Ø30 x 65 mm	1
	06	1529	GUIDE SLEEVE	Ø34 x Ø30 x 20 mm	1
	07	1535	INNER BOOT (SMALL)		2
	08	1545	COVER	Ø34 mm	2
	09	1556	BOOT RETAINER RING		2

Knorr Repair Kits - SN5 Series

1174 - SN5

Caliper Roller Bearings



1175 - SN5

Caliper Adjusting Shaft



1183 - SN5

Caliper Lever



1177 - SN5

Caliper Bridge Assembly



3065 - SN5

steel blanking plugs



1047 - SN5

Caliper Cover



1189 - SN5

Caliper Plastic Cover (without sensor)



1054 - SN5 (with sensor 2 cable)
Caliper Sensor Cover

